

EPSON®

EPSON STYLUS™ PRO 10600

Reference Guide

Contents

Glossary	7
----------------	---

Product Information

Safety Instructions	13
Important Safety Instructions	13
A Few Precautions	14
Printer Specifications	18
Printing	18
Printable area	19
Mechanical	20
Electrical	21
Environmental	22
Initialization	22
Standards and Approvals	23
Paper	24
Ink cartridges	26
System Requirements	28
To use your printer with a PC	28
To use your printer with a Macintosh	30
Interface Specifications	31
Parallel interface	31
USB interface	32
IEEE1394 Interface	33
Ethernet Interface	35
Options and Consumable Products	36
Options	36
Consumable products	37
EPSON special media	39

The Control Panel

Buttons, Lights and Messages	60
Buttons	60
Lights.	62
Status messages	65
SelecType Settings	67
When to use SelecType.	67
SelecType menu list	67
Basic SelecType setting procedure	70
Details of SelecType	72
Printing a nozzle check pattern.	86
Performing the head alignment	88
Setting the paper thickness	89
Printing a status sheet.	92
Maintenance Mode.	94
How to enter the maintenance mode	94
Maintenance mode list	95

Printing with Windows

Accessing the Printer Software.	99
From Windows Applications	99
From My Computer	99
From Printers and Faxes (For Windows XP only)	100
Basic Settings.	100
Making the printer driver settings	100
Canceling printing.	105
Using the Printer Driver	106
Making the Media Type setting	106
Using the Automatic and Custom modes	111
Adjusting page settings	119
Fitting documents onto the page	122
Using the Printer Utilities	122
Accessing the printer utilities	124
Using Printer and Option Information	125

Speed & Progress	126
Getting Information Through Online Help	128
Accessing help	129
Checking Printer and Print Job Status	129
Using the Progress Meter	129
Using the EPSON Spool Manager (For Windows Me, 98, and 95 only)	130
Using EPSON Status Monitor 3	131
Increasing the Print Speed	135
General tips	135
Using Speed & Progress	136
Port Configuration (Windows NT 4.0 only)	139
Setting Up Your Printer on a Network	142
For Windows Me, 98, 95	142
For Windows 2000 and NT 4.0	145
For Windows XP	149
Updating to Windows Me	154
Updating the Driver in Windows XP, Windows 2000, and Windows NT 4.0	154
Uninstalling the Printer Software	154
Uninstalling the USB Host Device Driver (Windows Me and 98 only)	155

Printing with Macintosh

Accessing the Printer Software	156
Print dialog box	156
Page Setup dialog box	156
Basic Settings	156
Making the printer driver settings	156
Canceling printing	159
Using the Printer Driver	160
Making the Media Type setting	160
Using the Automatic and Custom modes	166
Adjusting page settings	173
Fitting documents onto the page	176
Using the Printer Utilities	176

Accessing the printer utilities	178
Getting Information Through Online Help	178
Accessing help	179
Checking Printer and Print Job Status.	179
Using the EPSON StatusMonitor	179
Making Configuration Settings.	181
Controlling Background Printing	182
Setting Up Your Printer on a Network	186
Setting up your printer as a shared printer	187
Accessing the printer through a network	188

Paper Handling

Notes for Special Media and Other Media	190
Using EPSON special media	190
Using paper other than EPSON special media	191
Using Roll Paper.	191
Attaching the roll paper to the spindle	191
Removing the roll paper from the spindle	192
Attaching and removing the spindle from the printer	193
Loading the roll paper	196
Using the roll paper belt.	201
Cutting roll paper or printing page lines.	202
Using Cut Sheet Media	204
Loading cut sheet media	204
Printing on thick paper (0.5 to 1.6 mm)	208
Setting the Paper Basket	210
When feeding paper backward	
(up to B1 size; landscape)	211
When feeding paper backward (up to super B0 size)	212
When feeding paper forward (Roll Paper Banner; thick [0.5 mm and more] cut sheet)	213

Maintenance and Transportation

Replacing Ink Cartridges	215
Replacing Black Ink Cartridges	219
Checking the waste ink tank	220
Confirming the remain of the ink cartridges	221
Draining the Ink	221
Updating the printer driver information	224
Replacing the Paper Cutter	226
Cleaning the Printer	230
If you have not used your printer for a long time	231
Transporting the Printer	231
A long distance	231
A short distance	232
Setting up the printer after transporting it	236

Using Optional Product

Using the Auto Take-up Reel Unit	237
Control box	237
Adjusting the sensor	239
Loading roll paper onto the take-up reel core	241
Taking-up your prints	246
Removing paper after take-up	248

Troubleshooting

Printer Stops Printing Unexpectedly	250
Head cleaning, ink charging, or ink drying is in progress	250
An error has occurred	250
The Printer does not Turn on or Stay on	251
The Printer Prints Nothing	254
The printer is not correctly connected to the computer	254
Your EPSON printer is not selected as the default printer	255

Printer port setting does not match the printer connection port	256
The printer driver does not have enough available memory (Macintosh)	257
The printer sounds like it is printing, but nothing prints .	257
Printouts are Not What You Expected	257
Incorrect or garbled characters	257
Incorrect margins.	258
Inverted image.	259
Blank pages print.	259
Printed color differs from the color on the screen	259
A ruled line shifts	260
Printout has smears on the bottom edge	260
Print Quality Could be Better	261
Horizontal banding.	262
Vertical misalignment or banding	262
Incorrect or missing colors.	263
Faint printout or gaps.	263
Blurry or smeared printout	264
Color Documents Print in Black Only.	265
Printing Could be Faster	265
Roll Paper Cannot be Cut	266
Paper Feed or Paper Jam Problems Occur Frequently	266
Roll Paper does not Eject Properly.	268
When feeding paper forward	269
When feeding paper backward.	269
Clearing Paper Jams.	270
Troubleshooting on the Optional Auto Take-up Reel Unit	272
Contacting Customer Support	273
Index.	306

Glossary

The following definitions apply specifically to printers.

application

A software program that helps you carry out a particular task, such as word processing or financial planning.

ASCII

American Standard Code for Information Interchange. A standardized coding system for assigning numerical codes to letters and symbols.

banding

The horizontal lines that sometimes appear when printing graphics. This occurs when the print heads are misaligned. See also *MicroWeave*.

bit

A binary digit (0 or 1), which is the smallest unit of information used by a printer or computer.

brightness

The lightness or darkness of an image.

buffer

The portion of the printer's memory used to store data before printing it.

byte

A unit of information consisting of eight bits.

characters per inch (cpi)

A measure of the size of text characters, sometimes referred to as pitch.

CMYK

Cyan (blue-green), magenta, yellow, and black. These colored inks are used to create the subtractive system array of printed color.

color matching

A method of processing color data so that colors displayed on a computer screen closely match colors in printouts. A variety of color-matching software is available. See also *ColorSync* and *sRGB*.

ColorSync

Macintosh software that is designed so you get WYSIWYG (What You See Is What You Get) color output. This software prints colors as you see them on your screen.

cpi

See *characters per inch*.

default

A value or setting that takes effect when the equipment is turned on, reset, or initialized.

DMA

Direct Memory Access. A data transfer feature that by-passes a computer's CPU and allows direct communication between the computer's memory and peripheral devices (such as printers).

dot matrix

A method of printing in which each letter or symbol is formed by a pattern (matrix) of individual dots.

dpi

Dots per inch. The dpi measures the resolution. See also *resolution*.

drive

A memory device, such as CD-ROM, hard disk, or floppy disk. In Windows, a letter is assigned to each drive for easy management.

driver

A software program that sends instructions to a computer peripheral to tell it what to do. For example, your printer driver accepts print data from your word processor application and sends instructions to the printer on how to print this data.

economy printing

Printing in which images are printed with fewer dots to save ink.

error diffusion

Error diffusion blends individual colored dots with the colors of the surrounding dots to create the appearance of natural colors. By blending colored dots, the printer can achieve excellent colors and subtle color gradation. This method is best suited for printing documents that contain detailed graphics or photographic images.

ESC/P

Abbreviation for Epson Standard Code for Printers. This system of commands gives you control of your printer from your computer. It is standard for all EPSON printers and supported by most application programs for personal computers.

ESC/P Raster

A command language that gives you control of your printer from your computer. Commands in this language produce laser-like features, such as enhanced graphics printing.

font

A style of type designated by a family name.

grayscale

A scale of shades of gray from black to white. Grayscale is used to represent colors when printing with black ink only.

halftones

Patterns of black or colored dots used to reproduce an image.

halftoning

Method of using dot patterns to represent an image. Halftoning makes it possible to produce varying shades of gray using only black dots, or a nearly infinite array of colors using only a few colors of dots. See also *halftones*.

head alignment

The operation to correct any misalignment of the print heads. Vertical banding will be corrected.

head cleaning

The operation to clean any clogged nozzles for correct printing.

high speed printing

Printing in which images are printed in both directions. This provides faster printing.

initialization

Returns the printer to its defaults (fixed set of conditions). This happens every time you turn on the printer or reset the printer.

ink cartridge

The cartridge which contains ink.

ink jet

A method of printing in which each letter or symbol is formed by precisely spraying ink onto paper.

interface

The connection between the computer and the printer. A parallel interface transmits data one character or code at a time. A serial interface transmits data one bit at a time.

interface cable

The cable that connects between the computer and the printer.

LCD

Liquid Crystal Display. Shows various messages according to status of the printer.

local printer

The printer which is connected to the computer's port directly by interface cable.

media

Materials upon which data is printed, such as roll paper and cut sheets, plain paper, and special paper.

memory

The part of the printer's electronic system that is used to store information (data). Some information is fixed and is used to control how the printer operates. Information that is sent to the printer from the computer is stored in the memory temporarily. See also *RAM* and *ROM*.

MicroWeave

Printing in which images are printed in finer increments to reduce the possibility of banding and to produce laser-like images. See also *banding*.

monochrome

This means printing with only one color of ink, which is generally black ink.

nozzle

Fine tubes in the print head through which ink is sprayed on the page. Print quality may decline if print head nozzles are clogged.

nozzle check

A method for checking the operation of the printer. When you perform a nozzle check, the printer prints the firmware (ROM) version and a nozzle check pattern.

online help

Helpful comments related to the current window or dialog box.

parallel interface

See *interface*.

Peer-to-peer networks

Windows 98 and 95 and Windows NT 4.0 support peer-to-peer networking. Any computer can access the resources of a computer on the network.

PhotoEnhance4

The EPSON software to change the shade of tone, to correct image data and to change the sharpness of the image data.

port

An interface channel through which data is transmitted between devices.

printable area

The area of a page on which the printer can print. It is smaller than the physical size of the page due to margins.

printer driver

A software program that sends commands for using the features of a particular printer. Often shortened to "driver". See also *driver*.

printing mode

The number of dots per inch used to represent an image. Your printer has three printing mode settings: SuperFine (1440 dpi), Fine (720 dpi), and Normal (360 dpi).

print queue

If your printer is connected to a network, print jobs that are sent to the printer while it is busy are stored in a waiting line, or print queue, until they can be printed.

Progress Meter

A meter that shows the progress of the current print job for Windows.

RAM

Random Access Memory. The portion of the printer's memory used as a buffer and for storing user-defined characters. All data stored in RAM is lost when the printer is turned off.

reset

To return a printer to its defaults by turning the printer off and then back on.

resolution

The number of dots per inch used to represent an image.

ROM

Read Only Memory. A portion of memory that can only be read and cannot be used for data storage. ROM retains its contents when you turn off the printer.

RGB

Red, green, and blue. These colors, in phosphors irradiated by the computer monitor's electron gun, are used to create the additive array of screen colors.

SelectType settings

Settings made using the printer's control panel. In SelectType mode, various printer settings that are not available using the printer driver, such as test print settings, can be made.

serial interface

See *interface*.

spool

The first step in printing, in which the printer driver converts the print data into codes that your printer understands. This data is then sent to the printer directly or to the print server.

Spool Manager

The software program that converts print data into codes that your printer understands. See also *spool*.

sRGB

Windows software that is designed so you get WYSIWYG (What You See Is What You Get) color output. This software prints colors as you see them on your screen.

Status Monitor

The software program that allows you to check the printer's status.

subtractive colors

Colors produced by pigments that absorb some colors of light and reflect others. See also *CMYK*.

utility

A program for carrying out a specific function, which is usually related to system maintenance.

WYSIWYG

Acronym for What You See Is What You Get. This term is used to describe printout that looks exactly as it appeared on screen.

Product Information

Safety Instructions

Important Safety Instructions

Read all of these instructions before using your printer. Also be sure to follow all warnings and instructions marked on the printer.

- Do not block or cover the openings in the printer's cabinet.
- Do not insert objects through the slots. Take care not to spill liquid on the printer.
- Use only the type of power source indicated on the printer's label.
- Connect all equipment to properly grounded power outlets. Avoid using outlets on the same circuit as photocopiers or air control systems that regularly switch on and off.
- Avoid electrical outlets controlled by wall switches or automatic timers.
- Keep the entire computer system away from potential sources of electromagnetic interference, such as loudspeakers or the base units of cordless telephones.
- Do not use a damaged or frayed power cord.

- ❑ If you use an extension cord with the printer, make sure the total ampere rating of the devices plugged into the extension cord does not exceed the cord's ampere rating. Also, make sure the total ampere rating of all devices plugged into the wall outlet does not exceed the wall outlet's ampere rating.
- ❑ Do not attempt to service the printer yourself.
- ❑ Unplug the printer and refer servicing to qualified service personnel under the following conditions:

The power cord or plug is damaged; liquid has entered the printer; the printer has been dropped or the cabinet damaged; the printer does not operate normally or exhibits a distinct change in performance.

- ❑ The interface connectors (including Type B interface card) and the connector for optional Auto Take-up Reel Unit are Non-LPS (non-limited power source).
- ❑ If you plan to use the printer in Germany, observe the following:

To provide adequate short-circuit protection and over-current protection for this printer, the building installation must be protected by a 10 or 16 amp circuit breaker.

A Few Precautions

When choosing a place for the printer

- ❑ Place the printer on a flat, stable surface that is larger than the printer. The printer will not operate properly if it is tilted or at an angle.

- ❑ Avoid places subject to rapid changes in temperature and humidity. Also keep it away from direct sunlight, strong light, or heat sources.
- ❑ Avoid places subject to shocks and vibrations.
- ❑ Keep the printer away from the dusty areas.
- ❑ Place the printer near a wall outlet where the plug can be easily unplugged.

ENERGY STAR® Compliance

As an International ENERGY STAR® Partner, EPSON has determined that this product meets the International ENERGY STAR® Program guidelines for energy efficiency.

The International ENERGY STAR® Office Equipment Program is a voluntary partnership with the computer and office equipment industry to promote the introduction of energy-efficient personal computers, monitors, printers, fax machines, copiers, and scanners, in an effort to reduce air pollution caused by power generation.



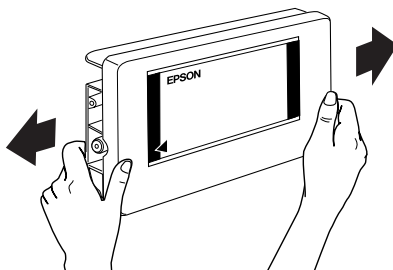
When using the printer

- ❑ Do not put your hand inside the printer or touch the ink cartridges during printing.
- ❑ Do not move the print heads by hand; otherwise you may damage the printer.

- ❑ Always turn the printer off using the Power button on the control panel. When this button is pressed, the Operate light flashes briefly then goes off. Do not unplug the printer or turn off the power to the outlet until the Operate light stops flashing.
- ❑ Before transporting the printer, make sure the print heads are in the home (far right) position.

When handling the ink cartridges

- ❑ Keep ink cartridges out of the reach of children and do not drink.
- ❑ If ink gets on your skin, wash it off with soap and water. If it gets in your eyes, flush them immediately with water.
- ❑ If you use UltraChrome type ink cartridges or ColorFast type ink cartridges, shake the ink cartridge gently before installing it for best results.



Caution:

Do not shake cartridges that have been installed previously.

- ❑ Do not use an ink cartridge beyond the date printed on the cartridge carton.

- ❑ If you use UltraChrome type ink cartridges or ColorFast type ink cartridges, use up the ink cartridge within six months of installation for best results.
- ❑ Do not dismantle the ink cartridges or try to refill them. This could damage the print heads.
- ❑ Store ink cartridges in a cool, dark place.
- ❑ After bringing an ink cartridge inside from a cold storage site, allow it to warm up at room temperature for at least three hours before using it.
- ❑ Do not touch the green IC chip on the side of the cartridge. This may affect normal operation and printing.
- ❑ In this ink cartridge, the IC chip retains a variety of cartridge related-information, such as the amount of ink remaining, so that a cartridge may be removed and reinserted freely.
- ❑ If you remove an ink cartridge for later use, protect the ink supply area from dirt and dust, and store it in the same environment as the printer. Note that there is a valve in the ink supply port, making covers or plugs unnecessary, but care is needed to prevent the ink from staining items that the cartridge touches. Do not touch the ink supply port or surrounding area.

Printer Specifications

Printing

Printing method On-demand ink jet
Nozzle configuration Black: 180 nozzles
 Color: 180 nozzles × 5
 (cyan, magenta, yellow, light cyan, light
 magenta)

Character mode:

Character Pitch	Printing Column
10 cpi*	437

* characters per inch

Raster graphics mode:

Horizontal resolution	Printable width	Available dots
360 dpi*	1112 mm (43.78 inches)	15762
720 dpi	1112 mm (43.78 inches)	31524
1440 dpi	1112 mm (43.78 inches)	63048

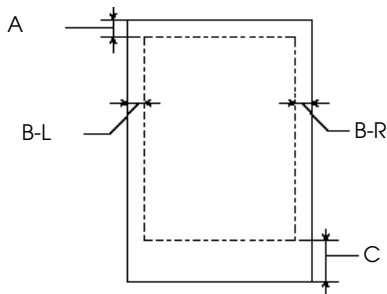
* dots per inch

Resolution Maximum 1440 dpi × 720 dpi
Print direction Bidirectional

Control code	ESC/P Raster
Line spacing	1/6 inch or programmable in 1/720 inch increments
Paper feed speed	200 ± 10 mm seconds per 1/6 inch line
RAM	External 128 MB (fixed)
Character tables	PC 437 (US, Standard Europe), PC 850 (Multilingual)
Character sets	EPSON Courier 10 cpi

Printable area

Roll paper and cut sheets



- A For roll paper, the minimum top margin is 3.0 mm (0.12")*.
For cut sheets, the minimum top margin is 3.0 mm (0.12").
- B-L For roll paper, the minimum left margin is 3.0 mm (0.12")*.
For cut sheets, the minimum left margin is 3.0 mm (0.12").
- B-R For roll paper, the minimum right margin is 3.0 mm (0.12")*.
For cut sheets, the minimum right margin is 3.0 mm (0.12").
- C For roll paper, the minimum bottom margin is 3.0 mm (0.12")*.
For cut sheets, the minimum bottom margin is 14.0 mm (0.55").

* For roll paper, the following margin widths can be selected using the control panel as follows. For details, see "ROLL MARG" in "PRINTER SETTING MENU".

Parameter	A	B-L	B-R	C
3 mm	3 mm	3 mm	3 mm	3 mm
15 mm	15 mm	15 mm	15 mm	15 mm
T/B 15 mm (Default)	15 mm	3 mm	3 mm	15 mm

Note:

The printer automatically detects the dimensions of the paper that is loaded. Print data that exceeds the printable area of the paper cannot be printed.

Mechanical

Paper feed method

Friction

Paper path

Roll paper or cut sheets with manual insertion

Dimensions (printing)	Width: 1,865 mm (73.4 inches) Depth: 710 mm (28.0 inches) Height: 1,225 mm (48.2 inches)
Weight	Approx. 129 kg (284 lb) with stand

Electrical

	Rated 100 V to 240 V
Input voltage range	90 to 264 V
Rated frequency range	50 to 60 Hz
Input frequency range	49 to 61 Hz
Rated current	1.4 - 0.7 A
Power consumption	Approx. 131 W (ISO10561 Letter Pattern) 30 W or less in sleep mode

Note:

Check the label on the back of the printer for voltage information.

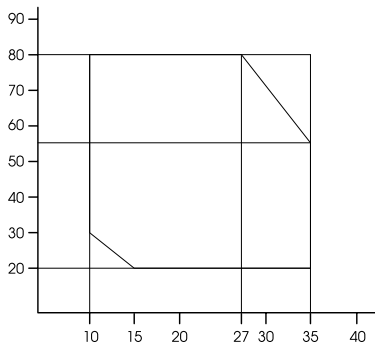
Environmental

Temperature	Operation: 10 to 35°C (50 to 95°F) Storage: -20 to 40°C (-4 to 104°F) Transit: -20 to 60°C (-4 to 140°F)* 1 month at 40°C (104°F) 120 hours at 60°C (140°F)
Humidity	Operation: 20 to 80% RH** Storage: 20 to 85% RH** Transit: 5 to 85% RH*,**

* Stored in shipping container

** Without condensation

Operational conditions (temperature and humidity):



Initialization

Hardware initialization at power on:

The printer mechanism is set to its initial state.
The input data buffer and print buffer are cleared.
The printer returns to the default condition last set.

Software initialization when the ESC@ (initialize the printer) command is received:

The print buffer is cleared.
The printer returns to the default condition last set.

Panel button initialization by pressing the P_{OUSE} button on the control panel for 3 seconds, or *INI signal is send:

Print head capping occurs.
Paper is ejected, if any.
The input data buffer and print buffer are cleared.
The printer returns to the default condition last set.

Standards and Approvals

Safety	UL 1950 CSA 22.2 No. 950 Low Voltage Directive 73/23/EEC EN 60950 EN 60825
EMC	FCC part 15 subpart B class A CSA C108.8 class A AS/NZS 3548 class A EMC Directive 89/336/ECC EN 55022 Class A EN 55024 EN 61000-3-2 EN 61000-3-3

**Warning:**

This is a class A product. In a domestic environment this product may cause radio interference in which case the user may be required to take adequate measures.

Paper

Note:

Since the quality of any particular brand or type of paper may be changed by the manufacturer at any time, EPSON cannot attest to the quality of any non-EPSON brand or type of paper. Always test samples of paper before purchasing large quantities or printing large jobs.

Roll paper:

Size	210 to 1118 mm (W) × 45000 mm (L) (8.26 to 44.02 inches × 1771.65 inches) (Internal diameter: 2 inches) 210 to 1118 mm (W) × 202000 mm (L) (8.26 to 44.02 inches × 7952.76 inches) (Internal diameter: 3 inches)
Outer diameter	103 mm (4.05 inches) maximum for standard/optional 2-inch roll paper spindle 150 mm (5.90 inches) maximum for optional 3-inch roll paper spindle
Paper types	Plain paper, special papers distributed by EPSON
Thickness (for plain paper)	0.08 to 0.11 mm (0.003 to 0.004 inches)
Weight (for plain paper)	64 gf/m ² (17 lb) to 90 gf/m ² (24 lb)

Cut sheets:

Size	Super B0 (1118 × 1580 mm) B0 (1030 × 1456 mm) B1 (728 × 1030 mm) B2 (515 × 728 mm) B3 (364 × 515 mm) Super A0 (914 × 1292 mm) A0 (841 × 1189 mm) Super A1 (24 × 36 inches) A1 (594 × 841 mm) A2 (420 × 594 mm) A3 (297 × 420 mm) A4 (210 × 297 mm) Super A3/B (329 × 483 mm) US E (34 × 44 inches) US D (22 × 34 inches) US C (17 × 22 inches) US B (11 × 17 inches) Letter (8.5 × 11 inches)
Paper types	Plain paper, special papers distributed by EPSON
Thickness (for plain paper)	0.08 to less than 0.11 mm (0.003 to less than 0.004 inches)
Weight (for plain paper)	64 gf/m ² (17 lb) to 90 gf/m ² (24 lb)

Note:

- ❑ *Poor quality paper may reduce print quality and cause paper jams or other problems. If you encounter problems, switch to a higher grade of paper.*
- ❑ *Do not load curled or folded paper.*

Use paper under the following conditions:

Temperature 15 to 25°C (59 to 77°F)
Humidity 40 to 60% RH

EPSON Photo Quality Glossy Film should be stored
under the following conditions:

Temperature 15 to 30°C (59 to 86°F)
Humidity 20 to 60% RH

Ink cartridges

UltraChrome

Colors	Photo Black	T549100
	Cyan	T549200
	Magenta	T549300
	Yellow	T549400
	Light Cyan	T549500
	Light Magenta	T549600
	Matte Black	T549800

ColorFast

Colors	Black	T511011
	Yellow	T512011
	Magenta	T513011
	Cyan	T514011
	Light Magenta	T515011
	Light Cyan	T516011

Dye

Colors	Black	T499011
	Yellow	T500011
	Magenta	T501011
	Cyan	T502011
	Light Magenta	T503011
	Light Cyan	T504011

Cartridge life (UltraChrome) 2 years from production date if unopened;
within 6 months after opening package.

Cartridge life(ColorFast) 2 years from production date if unopened;
within 6 months after opening package.

Cartridge life(Dye) 2 years from production date if unopened;
within 2 years after opening package.

Temperature Storage (uninstalled): -30 to 40°C (-22 to 105°F)
1 month at 40°C (104°F)
Storage (installed): -20 to 40°C (-4 to 104°F)
1 month at 40°C (104°F)
120 hours at 60°C (140°F)

Dimensions 168 mm (W) × 344 mm (D) × 30.3 mm (H)
(6.62 (W) × 13.54 (D) × 1.19 (H) inches)

Weight Approx. 860 g (1.9 lb.)

Capacity 500 ml



Caution:

- ❑ *If you are using UltraChrome or ColorFast type ink cartridges, shake the ink cartridge gently before installing it for best results.*

- ❑ *EPSON recommends the use of original EPSON ink cartridges only. Other products not manufactured by EPSON may cause damage to your printer not covered by EPSON's warranties.*

- ❑ *Do not use an ink cartridge if the expiry date has passed.*

System Requirements

To use your printer with a PC

To use your printer, you need Microsoft® Windows® Millennium Edition, 98, 95, XP, 2000, or NT 4.0, and a shielded, twisted-pair parallel cable. If you want to connect your printer to a USB port, you need a Windows Me, 98, XP, or 2000 pre-installed PC equipped with a USB port, and a shielded USB cable.

Your computer should also meet the following system requirements:

Minimum system	Recommended system
Pentium for Windows 98, 95, and NT 4.0 Pentium 133 MHz for Windows 2000 Pentium 150 MHz for Windows Me	Pentium II 400 MHz or higher processor
32 MB RAM for Windows Me, 98, 95, NT 4.0 64 MB RAM for Windows 2000	128 MB RAM or more
100 MB hard disk space for Windows Me, 98, 95, 2000, and NT 4.0	500 MB* ¹ /300 MB* ² or more free disk space (B0)
VGA monitor	VGA or better monitor

*1 is for graphic data use

*2 is for line data use

Your computer dealer can help you update your system if it does not meet these requirements.

To use your printer with a Macintosh

To use this printer, your Apple® Macintosh® must meet the following system requirements. You also need a USB cable to connect this printer to your Macintosh.

Minimum system	Recommended system
PowerPC	PowerPC G3 350MHz* ¹ /PowerPC G3 300 MHz* ² or higher processor
Mac OS 8.5.1	Mac OS 9.1 or later
11 MB of available memory 14 MB of available memory when background printing is turned on.	33 MB or more of available memory 56 MB of available memory when background printing is turned on.
-	500 MB* ¹ /300 MB* ² or more free disk space (B0)

*1 is for graphic data use

*2 is for line data use

Note:

- ❑ *The amount of available memory varies according to the number and kind of applications that are open. To see how much memory is available, choose About This Macintosh from the Apple menu and refer to the memory size (listed in kilobytes) under "Largest Unused Block" (1,024 K = 1 MB).*
- ❑ *The memory requirements above are for printing on B0 (1030 × 1456 mm) size paper. These requirements may vary depending on the size of the paper, the type of application you are using, and the complexity of the document you want to print.*
- ❑ *The available interface varies according to Macintosh system version as follows:
Network interface: 8.5.1 to 9.x
USB interface: 8.5.1 to 9.x
Type-B interface: 8.6.x to 9.x*

In addition to these system and memory requirements, you also need 15 MB of free hard disk space to install your printer software.

Interface Specifications

Your printer is equipped with an 8-bit parallel interface, a USB interface, an IEEE1394 interface and an Ethernet interface.

Parallel interface

The built-in parallel interface has the following characteristics:

Compatibility mode

Data format	8-bit parallel
Synchronization	$\overline{\text{STROBE}}$ pulse
Handshake timing	BUSY and $\overline{\text{ACKNLG}}$ signals
Signal level	TTL level (IEEE-1284 level 1 device)
Adaptable connector	57-30360 Amphenol connector or equivalent

Nibble mode

Transmission mode	8-bit parallel
Synchronization	$\overline{\text{STROBE}}$ pulse
Handshaking	BUSY and $\overline{\text{ACKNLG}}$ signals
Signal level	TTL level (IEEE-1284 level 1 device)
Data transmission timing	Refer to the IEEE-1284 specification

ECP mode

Transmission mode	IEEE-1284 ECP mode
Synchronization	Refer to the IEEE-1284 specification
Handshaking	Refer to the IEEE-1284 specification
Signal level	TTL level (IEEE-1284 level 1 device)
Data transmission timing	Refer to the IEEE-1284 specification

USB interface

The printer's built-in USB interface is based on the standards specified in the Universal Serial Bus Specifications Revision 1.1

and the Universal Serial Bus Device Class Definition for Printing Devices Version 1.1. This interface has the following characteristics.

Standard	Based on Universal Serial Bus Specifications Revision 1.1, Universal Serial Bus Device Class Definition for Printing Devices Version 1.1
Bit rate	12 Mbps (full speed device)
Data encoding	NRZI
Adaptable connector	USB Series B
Recommended cable length	2 meters

IEEE1394 Interface

The IEEE 1394 interface has the following characteristics.

Basic specifications

Data transfer method	Half-duplex Data/Strobe differential serial
Synchronization method	IEEE 1394-1995 compliant
Encoding/decoding	IEEE 1394-1995 compliant
Compatible connectors	IEEE 1394-1995 compatible 6 contact receptable

Connector pin signal layout

Pin number	Signal name	Function
1	VP	Cable power supply
2	VG	Cable ground
3	TPB*	Strobe during receipt, data during transmission (differential pair)
4	TPB	
5	TPA*	Data during receipt, strobe during transmission (differential pair)
6	TPa	

Power class

Power class code 100

No power supply from external sources

Fitted with a repeat function with bus power

Jumper

Jumper	Default position
JP1	2-3
JP2	2-3

Ethernet Interface

The interface card supports both 10 Base-T and 100 Base-TX.

Connectors:

RJ-45 (ISO/IEC8802-3 12.6 MDI Specification)

Options and Consumable Products

Options

The following options are available for use with your printer.

Note:

The asterisk is a substitute for the last digit of the product number, which varies by country.

Roll paper spindles

Additional roll paper spindles are available to make changing roll paper faster and easier. You can keep different types of roll paper on several spindles so they are always ready to be loaded into the printer. To use optional spindles, see "Using Roll Paper".

Roll Feed Spindle 2 inch	C12C811133
Roll Feed Spindle 2 inch (High Tension)	C12C811134
Roll Feed Spindle 3 inch (High Tension)	C12C811122

Auto Take-Up Reel Unit

This option takes up your printed roll paper documents automatically. The unit contains the Take-Up Reel Core, a drive unit and movable unit which are attached to the printer, and drafting tape. To install and use this option, see the optional *Auto Take-Up Reel Unit User's Guide*.

Auto Take-Up Reel Unit	C12C815251
------------------------	------------

Manual Cutter Unit

This option helps you cut your printed roll paper manually. To install and use the cutter, see the attached manual.

Manual Cutter Unit	C12C815182
Manual Cutter Spare Blade	C12C815192

Consumable products

The following consumable products are available for use with your printer.

Paper cutter

If you notice the edge of the paper is not cut cleanly, you can replace the cutter blade. See “Replacing the Paper Cutter”.

Auto Cutter Spare Blade	C12C815271
-------------------------	------------

Ink cartridges

To replace ink cartridges, see “Replacing Ink Cartridges”.

Note:

The product number varies by country.

<UltraChrome>

Ink cartridge (Photo Black)	T549100
Ink cartridge (Cyan)	T549200
Ink cartridge (Magenta)	T549300
Ink cartridge (Yellow)	T549400

Ink cartridge (Light Cyan)	T549500
Ink cartridge (Light Magenta)	T549600
Ink cartridge (Matte Black)	T549800

<ColorFast>

Ink cartridge (Black)	T511011
Ink cartridge (Yellow)	T512011
Ink cartridge (Magenta)	T513011
Ink cartridge (Cyan)	T514011
Ink cartridge (Light Magenta)	T515011
Ink cartridge (Light Cyan)	T516011

<Dye>

Ink cartridge (Black)	T499011
Ink cartridge (Yellow)	T500011
Ink cartridge (Magenta)	T501011
Ink cartridge (Cyan)	T502011
Ink cartridge (Light Magenta)	T503011
Ink cartridge (Light Cyan)	T504011

EPSON special media

Most plain paper works well in your printer. In addition, EPSON offers specially designed media for ink jet printers to meet most high-quality printing needs.

Note:

- The availability of special media varies by country.*
- The names of some special media vary by country. Use the product number to confirm the type of special media you need or have.*

Roll paper for UltraChrome ink:

Media Name	Size	Product Number
EPSON Glossy Paper - Photo Weight	559mm(22") × 20m(65')	S041388
EPSON Glossy Paper - Photo Weight	1118mm(44") × 20m (65')	S041389
EPSON Premium Glossy Photo Paper (250)	610mm(24") × 30.5m(100')	S041638
EPSON Premium Glossy Photo Paper (250)	914mm(36") × 30.5m(100')	S041639
EPSON Premium Glossy Photo Paper (250)	1118mm(44") × 30.5m(100')	S041640
EPSON Premium Semigloss Photo Paper (250)	610mm(24") × 30.5m(100')	S041641
EPSON Premium Semigloss Photo Paper (250)	914mm(36") × 30.5m(100')	S041642
EPSON Premium Semigloss Photo Paper (250)	1118mm(44") × 30.5m(100')	S041643
EPSON Premium Semimatte Photo Paper (250)	610mm(24") × 30.5m(100')	S041655
EPSON Premium Semimatte Photo Paper (250)	914mm(36") × 30.5m(100')	S041656

EPSON Premium Semimatte Photo Paper (250)	1118mm(44") × 30.5m(100')	S041657
EPSON Premium Luster Photo Paper	610mm(24") × 30.5m(100')	S041461
EPSON Premium Luster Photo Paper	914mm(36") × 30.5m(100')	S041462
EPSON Premium Luster Photo Paper	1118mm(44") × 30.5m(100')	S041463
EPSON Premium Glossy Photo Paper	610mm(24") × 30.5m(100')	S041390
EPSON Premium Glossy Photo Paper	914mm(36") × 30.5m(100')	S041391
EPSON Premium Glossy Photo Paper	1118mm(44") × 30.5m(100')	S041392
EPSON Photo Glossy Paper EPSON Photo Grade Glossy Paper	610mm(24") × 30.5m(100')	S041575 S041475
EPSON Photo Glossy Paper EPSON Photo Grade Glossy Paper	914mm(36") × 30.5m(100')	S041571 S041476
EPSON Photo Glossy Paper EPSON Photo Grade Glossy Paper	1118mm(44") × 30.5m(100')	S041572 S041477
EPSON Premium Semigloss Photo Paper	610mm(24") × 30.5m(100')	S041393
EPSON Premium Semigloss Photo Paper	914mm(36") × 30.5m(100')	S041394

EPSON Premium Semigloss Photo Paper	1118mm(44") × 30.5m(100')	S041395
EPOSN Photo Semigloss Paper EPSON Photo Grade Semigloss Paper	610mm(24") × 30.5m(100')	S041576 S041478
EPOSN Photo Semigloss Paper EPSON Photo Grade Semigloss Paper	914mm(36") × 30.5m(100')	S041573 S041479
EPOSN Photo Semigloss Paper EPSON Photo Grade Semigloss Paper	1118mm(44") × 30.5m(100')	S041574 S041480
EPSON Doubleweight Matte Paper	610mm(24") × 25m(82')	S041685
EPSON Doubleweight Matte Paper	914mm(36") × 25m(82')	S041386
EPSON Doubleweight Matte Paper	1118mm(44") × 25m(82')	S041387
EPSON Enhanced Matte Paper	610mm(24") × 30.5m(100')	S041595
EPSON Enhanced Matte Paper	914mm(36") × 30.5m(100')	S041596
EPSON Enhanced Matte Paper	1118mm(44") × 30.5m(100')	S041597
EPSON Smooth Fine Art Paper	610mm(24") × 15.2m(50')	S041431
EPSON Smooth Fine Art Paper	914mm(36") × 15.2m(50')	S041432

EPSON Smooth Fine Art Paper	1118mm(44") × 15.2m(50')	S041433
EPSON Textured Fine Art Paper	610mm(24") × 15.2m(50')	S041447
EPSON Textured Fine Art Paper	914mm(36") × 15.2m(50')	S041448
EPSON Textured Fine Art Paper	1118mm(44") × 15.2m(50')	S041449
EPSON Canvas	24" × 40'(12.2m)	S041531
EPSON Canvas	36" × 40'(12.2m)	S041532
EPSON Canvas	44" × 40'(12.2m)	S041533
EPSON Backlight Film	24" × 100'(30.5m)	S041482
EPSON Backlight Film	36" × 100'(30.5m)	S041483
EPSON Backlight Film	44" × 100'(30.5m)	S041484
EPSON Enhanced Synthetic Paper	610mm(24") × 40m(131')	S041614
EPSON Enhanced Synthetic Paper	914mm(36") × 40m(131')	S041615
EPSON Enhanced Synthetic Paper	1118mm(44") × 40m(131')	S041616
EPSON Enhanced Adhesive Synthetic Paper	610mm(24") × 30.5m(100')	S041617
EPSON Enhanced Adhesive Synthetic Paper	914mm(36") × 30.5m(100')	S041618
EPSON Enhanced Adhesive Synthetic Paper	1118mm(44") × 30.5m(100')	S041619

Cut sheets for UltraChrome ink:

Media Name	Size	Product Number
EPSON Glossy Paper - Photo Weight	A4	S041349
EPSON Glossy Paper - Photo Weight	LTR	S041683
EPSON Glossy Paper - Photo Weight	A3	S041350
EPSON Glossy Paper - Photo Weight	Super A3	S041347
EPSON Archival Matte Paper	A4	S041342
EPSON Archival Matte Paper	A3	S041344
EPSON Archival Matte Paper	Super A3	S041340
EPSON Enhanced Matte Paper	LTR	S041341
EPSON Smooth Fine Art Paper	610mm(24") × 750mm(30')	S041434
EPSON Smooth Fine Art Paper	914mm(36") × 1118mm(44")	S041435
EPSON Textured Fine Art Paper	610mm(24") × 750mm(30')	S041450
EPSON Textured Fine Art Paper	914mm(36") × 1118mm(44")	S041451
EPSON Enhanced Matte Poster Board	610mm(24") × 762mm(30')	S041598

EPSON Enhanced Matte Poster Board	762mm(30") × 1016mm(40")	S041599
--------------------------------------	-----------------------------	---------

Roll paper for ColorFast ink

Media Name	Size	Product Number
EPSON Glossy Paper - Photo Weight	559mm(22") × 20m(65')	S041388
EPSON Glossy Paper - Photo Weight	1118mm(44") × 20m (65')	S041389
EPSON Premium Glossy Photo Paper (250)	610mm(24") × 30.5m(100')	S041638
EPSON Premium Glossy Photo Paper (250)	914mm(36") × 30.5m(100')	S041639
EPSON Premium Glossy Photo Paper (250)	1118mm(44") × 30.5m(100')	S041640
EPSON Premium Semigloss Photo Paper (250)	610mm(24") × 30.5m(100')	S041641
EPSON Premium Semigloss Photo Paper (250)	914mm(36") × 30.5m(100')	S041642
EPSON Premium Semigloss Photo Paper (250)	1118mm(44") × 30.5m(100')	S041643
EPSON Premium Semimatte Photo Paper (250)	610mm(24") × 30.5m(100')	S041655
EPSON Premium Semimatte Photo Paper (250)	914mm(36") × 30.5m(100')	S041656

EPSON Premium Semimatte Photo Paper (250)	1118mm(44") × 30.5m(100')	S041657
EPSON Premium Luster Photo Paper	610mm(24") × 30.5m(100')	S041461
EPSON Premium Luster Photo Paper	914mm(36") × 30.5m(100')	S041462
EPSON Premium Luster Photo Paper	1118mm(44") × 30.5m(100')	S041463
EPSON Premium Glossy Photo Paper	610mm(24") × 30.5m(100')	S041390
EPSON Premium Glossy Photo Paper	914mm(36") × 30.5m(100')	S041391
EPSON Premium Glossy Photo Paper	1118mm(44") × 30.5m(100')	S041392
EPSON Photo Glossy Paper EPSON Photo Grade Glossy Paper	610mm(24") × 30.5m(100')	S041575 S041475
EPSON Photo Glossy Paper EPSON Photo Grade Glossy Paper	914mm(36") × 30.5m(100')	S041571 S041476
EPSON Photo Glossy Paper EPSON Photo Grade Glossy Paper	1118mm(44") × 30.5m(100')	S041572 S041477
EPSON Premium Semigloss Photo Paper	610mm(24") × 30.5m(100')	S041393
EPSON Premium Semigloss Photo Paper	914mm(36") × 30.5m(100')	S041394

EPSON Premium Semigloss Photo Paper	1118mm(44") × 30.5m(100')	S041395
EPOSN Photo Semigloss Paper EPSON Photo Grade Semigloss Paper	610mm(24") × 30.5m(100')	S041576 S041478
EPOSN Photo Semigloss Paper EPSON Photo Grade Semigloss Paper	914mm(36") × 30.5m(100')	S041573 S041479
EPOSN Photo Semigloss Paper EPSON Photo Grade Semigloss Paper	1118mm(44") × 30.5m(100')	S041574 S041480
EPSON Doubleweight Matte Paper	610mm(24") × 25m(82')	S041685
EPSON Doubleweight Matte Paper	914mm(36") × 25m(82')	S041386
EPSON Doubleweight Matte Paper	1118mm(44") × 25m(82')	S041387
EPSON Enhanced Matte Paper	610mm(24") × 30.5m(100')	S041595
EPSON Enhanced Matte Paper	914mm(36") × 30.5m(100')	S041596
EPSON Enhanced Matte Paper	1118mm(44") × 30.5m(100')	S041597
EPSON Watercolor Paper - Radiant White	610mm(24") × 18m(59')	S041396
EPSON Watercolor Paper - Radiant White	914mm(36") × 18m(59')	S041397

EPSON Watercolor Paper - Radiant White	1118mm(44") × 18m(59')	S041398
EPSON Smooth Fine Art Paper	610mm(24") × 15.2m(50')	S041431
EPSON Smooth Fine Art Paper	914mm(36") × 15.2m(50')	S041432
EPSON Smooth Fine Art Paper	1118mm(44") × 15.2m(50')	S041433
EPSON Textured Fine Art Paper	610mm(24") × 15.2m(50')	S041447
EPSON Textured Fine Art Paper	914mm(36") × 15.2m(50')	S041448
EPSON Textured Fine Art Paper	1118mm(44") × 15.2m(50')	S041449
EPSON Canvas	24" × 40'(12.2m)	S041531
EPSON Canvas	36" × 40'(12.2m)	S041532
EPSON Canvas	44" × 40'(12.2m)	S041533
EPSON Backlight Film	24" × 100'(30.5m)	S041482
EPSON Backlight Film	36" × 100'(30.5m)	S041483
EPSON Backlight Film	44" × 100'(30.5m)	S041484
EPSON Glossy Film	610mm(24") × 20m(65')	S041314
EPSON Glossy Film	914mm(36") × 20m(65')	S041313
EPSON Glossy Film	1118mm(44") × 20m(65')	S041312
EPSON Heavyweight Polyester Banner	610mm(24") × 20m(65')	S041485
EPSON Heavyweight Polyester Banner	914mm(36") × 20m(65')	S041486

EPSON Heavyweight Polyester Banner	1118mm(44") × 20m(65')	S041487
EPSON Tyvek® Brillion™	610mm(24") × 18.3m(60')	S041494
EPSON Tyvek® Brillion™	914mm(36") × 18.3m(60')	S041495
EPSON Tyvek® Brillion™	1118mm(44") × 18.3m(60')	S041496
EPSON Adhesive Vinyl	610mm(24") × 12.2m(40')	S041436
EPSON Adhesive Vinyl	914mm(36") × 12.2m(40')	S041437
EPSON Adhesive Vinyl	1118mm(44") × 12.2m(40')	S041438
EPSON Synthetic Paper	610mm(24") × 40m(131')	S041399
EPSON Synthetic Paper	914mm(36") × 40m(131')	S041400
EPSON Synthetic Paper	1118mm(44") × 40m(131')	S041401
EPSON Adhesive Synthetic Paper	610mm(24") × 30.5m(100')	S041402
EPSON Adhesive Synthetic Paper	914mm(36") × 30.5m(100')	S041403
EPSON Adhesive Synthetic Paper	1118mm(44") × 30.5m(100')	S041404
EPSON Enhanced Synthetic Paper	610mm(24") × 40m(131')	S041614
EPSON Enhanced Synthetic Paper	914mm(36") × 40m(131')	S041615
EPSON Enhanced Synthetic Paper	1118mm(44") × 40m(131')	S041616
EPSON Enhanced Adhesive Synthetic Paper	610mm(24") × 30.5m(100')	S041617
EPSON Enhanced Adhesive Synthetic Paper	914mm(36") × 30.5m(100')	S041618

EPSON Enhanced Adhesive Synthetic Paper	1118mm(44") × 30.5m(100')	S041619
--	------------------------------	---------

Cut sheets for ColorFast ink:

Media Name	Size	Product Number
EPSON Glossy Paper - Photo Weight	A4	S041349
EPSON Glossy Paper - Photo Weight	LTR	S041683
EPSON Glossy Paper - Photo Weight	A3	S041350
EPSON Glossy Paper - Photo Weight	Super A3	S041347
EPSON Archival Matte Paper	A4	S041342
EPSON Archival Matte Paper	A3	S041344
EPSON Archival Matte Paper	Super A3	S041340
EPSON Enhanced Matte Paper	LTR	S041341
EPSON Watercolor Paper - Radiant White	Super A3	S041352
EPSON Watercolor Paper - Radiant White	Super B	S041351
EPSON Smooth Fine Art Paper	610mm(24") × 750mm(30')	S041434
EPSON Smooth Fine Art Paper	914mm(36") × 1118mm(44")	S041435
EPSON Textured Fine Art Paper	610mm(24") × 750mm(30")	S041450

EPSON Textured Fine Art Paper	914mm(36") × 1118mm(44")	S041451
EPSON Enhanced Matte Poster Board	610mm(24") × 762mm(30')	S041598
EPSON Enhanced Matte Poster Board	762mm(30") × 1016mm(40")	S041599

Roll paper for Dye ink:

Media Name	Size	Product Number
EPSON Glossy Photo Paper EPSON Glossy Paper - Heavy Weight	24" × 20.7m	S041293 S041291
EPSON Glossy Photo Paper EPSON Glossy Paper - Heavy Weight	36" × 20.7m	S041225 S041227
EPSON Glossy Photo Paper EPSON Glossy Paper - Heavy Weight	44" × 20.7m	S041224 S041226
EPSON Semigloss Photo Paper EPSON Semi Gloss Paper - Heavy Weight	24" × 25m	S041294 S041292
EPSON Semigloss Photo Paper EPSON Semi Gloss Paper - Heavy Weight	36" × 25m	S041223 S041229
EPSON Semigloss Photo Paper EPSON Semi Gloss Paper - Heavy Weight	44" × 25m	S041222 S041228
EPSON ColorLife Photo Paper Semigloss	24" × 30.5m	S041664
EPSON ColorLife Photo Paper Semigloss	44" × 30.5m	S041666

EPSON Premium Luster Photo Paper	24" × 100'	S041461
EPSON Premium Luster Photo Paper	36" × 100'	S041462
EPSON Premium Luster Photo Paper	44" × 100'	S041463
EPSON Premium Semimatte Photo Paper (250)	610mm(24") × 30.5m(100')	S041655
EPSON Premium Semimatte Photo Paper (250)	914mm(36") × 30.5m(100')	S041656
EPSON Premium Semimatte Photo Paper (250)	1118mm(44") × 30.5m(100')	S041657
EPSON Presentation Matte Paper	24" × 25m	S041295
EPSON Presentation Matte Paper	36" × 25m	S041221
EPSON Presentation Matte Paper	44" × 25	S041220
EPSON Doubleweight Matte Paper	24" × 25m	S041385
EPSON Doubleweight Matte Paper	36" × 25m	S041386
EPSON Doubleweight Matte Paper	44" × 25	S041387
EPSON Photo Glossy Paper EPSON Photo Grade Glossy Paper	610mm(24") × 30.5m(100')	S041575 S041475

EPSON Photo Glossy Paper EPSON Photo Grade Glossy Paper	914mm(36") × 30.5m(100')	S041571 S041476
EPSON Photo Glossy Paper EPSON Photo Grade Glossy Paper	1118mm(44") × 30.5m(100')	S041572 S041477
EPSON Photo Semigloss Paper EPSON Photo Grade Semigloss Paper	24" × 100'(30.5m)	S041576 S041478
EPSON Photo Semigloss Paper EPSON Photo Grade Semigloss Paper	36" × 100'(30.5m)	S041573 S041479
EPSON Photo Semigloss Paper EPSON Photo Grade Semigloss Paper	44" × 100'(30.5m)	S041574 S041480
EPSON Glossy Film	24" × 20m	S041314
EPSON Glossy Film	36" × 20m	S041313
EPSON Glossy Film	44" × 20m	S041312
EPSON Backlight Film	24" × 100'(30.5m)	S041482
EPSON Backlight Film	36" × 100'(30.5m)	S041483
EPSON Backlight Film	44" × 100'(30.5m)	S041484
EPSON Heavyweight Polyester Banner	24" × 20m	S041485
EPSON Heavyweight Polyester Banner	EPSON Heavyweight Polyester Banner	S041486

EPSON Heavyweight Polyester Banner	44" × 20m	S041487
EPSON Polyester Banner	24" × 20m	S041380
EPSON Polyester Banner	36" × 20m	S041381
EPSON Polyester Banner	44" × 20m	S041382

Cut sheets for Dye ink:

Media Name	Size	Product Number
EPSON Photo Paper EPSON Glossy Photo Paper	A4	S041140
EPSON Photo Paper EPSON Glossy Photo Paper	Letter	S041141
EPSON Photo Paper EPSON Glossy Photo Paper	B	S041156
EPSON Photo Paper EPSON Glossy Photo Paper	A3	S041142
EPSON Photo Paper EPSON Glossy Photo Paper	A3+	S041143
EPSON ColorLife™ Photo Paper	LTR	S041500
EPSON ColorLife™ Photo Paper	Super B	S041501

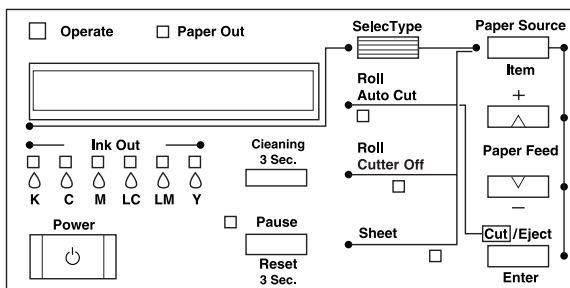
EPSON ColorLife™ Photo Paper	A4	S041560
EPSON ColorLife™ Photo Paper	Super A3	S041561
EPSON Photo Quality Ink Jet Paper	Letter	S041062
EPSON Photo Quality Ink Jet Paper	A4	S041461
EPSON Photo Quality Ink Jet Paper	B	S041070
EPSON Photo Quality Ink Jet Paper	A3	S041068
EPSON Photo Quality Ink Jet Paper	Super A3/B	S041069
EPSON Photo Quality Ink Jet Paper	A2	S041079
EPSON Photo Quality Ink Jet Paper	C	S041171
EPSON Photo Quality Glossy Film	Letter	S041072
EPSON Photo Quality Glossy Film	A4	S041071
EPSON Photo Quality Glossy Film	B	S041075
EPSON Photo Quality Glossy Film	A3	S041073
EPSON Photo Quality Glossy Film	Super A3/B	S041074

EPSON Poster Board - Semigloss	B2	S041273
EPSON Poster Board - Semigloss	B1	S041236

The Control Panel

Buttons, Lights and Messages

The control panel of the printer consists of 8 buttons, 12 lights, and a 20-character liquid crystal display (LCD). The control panel layout is shown below.







Buttons

Power	Turns the printer on and off. Turn off the printer, then press this button while pressing and holding the Pause button to enter the maintenance mode. See "Maintenance Mode".
Cleaning 3 Sec.	Print head cleaning is performed when pressed for 3 seconds. Before cleaning, make sure that thick paper is not loaded in the printer.









<p>Pause (Reset 3 Sec.)</p>	<p>Stops printing temporarily. Press a second time to resume printing.</p> <p>Clears print data in the printer memory if pressed and held for 3 seconds.</p> <p>When pressed in SelectType mode, the printer returns to READY status.</p>
<p>SelectType</p>	<p>Enters SelectType mode when pressed in READY status. When pressed in SelectType mode, a desired menu can be selected.</p> <p>Moves the paper cutter folder to the replacement position if pressed and held for 5 seconds.</p>
<p>Paper Source (Item)</p>	<p>Selects the paper source: Roll Auto Cut, Roll Cutter Off or Sheet.</p> <p>When pressed in SelectType mode, a desired item can be selected from the menu.</p>
<p>Paper Feed ▲ (+)</p>	<p>Feeds paper in reverse. When pressed in SelectType mode, a desired parameter can be selected from the selected item. Parameters change in forward order.</p>
<p>Paper Feed ▼ (-)</p>	<p>Feeds paper forward. When pressed in SelectType mode, a desired parameter can be selected from the selected item. Parameters change in reverse order.</p>
<p>Cut/Eject (Enter)</p>	<p>When the Sheet light is on: Ejects the cut sheet.</p> <p>When the Roll Auto Cut light is on: Feeds the roll paper before cutting it.</p> <p>When the Roll Cutter Off light is on: Feeds the roll paper to the guide on the platen.</p> <p>When the Roll Cutter Off light is on and the Print Page Line is on: Feeds the roll paper and then prints a page line below the document. See "PAGE LINE".</p> <p>Note: This button is operable during the ink drying process.</p> <p>When pressed in SelectType mode, it sets the selected parameter in the selected item as the default value. If the selected item is for execution only, the item will be executed.</p>











Lights









  = On

  = Flashing

 = Off

 Operate	The printer is on.
 Operate	The printer is receiving print data or shutting down.
 Operate	The printer is off.
 Paper Out	The paper is out, the paper lever is in the released position, or the loaded paper is too thick for head cleaning.
 Paper Out	The paper is jammed, or another paper output error has occurred. See "Printer Stops Printing Unexpectedly".
 Pause	The printer is ready to print data.
 Pause	The printer mechanism is moving in preparation for printing, the printed paper is drying for a set time, or the head is being cleaned.
 Pause	The printer is in pause mode or in SelecType mode, or an error has occurred. See "Printer Stops Printing Unexpectedly".

 Ink Out K	The black ink is out or the black ink cartridge is not installed correctly.
 Ink Out K	The black ink is low. The black ink cartridge is nearly empty. Obtain a replacement ink cartridge.
 Ink Out C	The cyan ink is out or the cyan ink cartridge is not installed correctly.
 Ink Out C	The cyan ink is low. The cyan ink cartridge is nearly empty. Obtain a replacement ink cartridge.
 Ink Out M	The magenta ink is out or the magenta ink cartridge is not installed correctly.
 Ink Out M	The magenta ink is low. The magenta ink cartridge is nearly empty. Obtain a replacement ink cartridge.
 Ink Out LC	The light cyan ink is out or the light cyan ink cartridge is not installed correctly.
 Ink Out LC	The light cyan ink is low. The light cyan ink cartridge is nearly empty. Obtain a replacement ink cartridge.
 Ink Out LM	The light magenta ink is out or the light magenta ink cartridge is not installed correctly.
 Ink Out LM	The light magenta ink is low. The light magenta ink cartridge is nearly empty. Obtain a replacement ink cartridge.

 Ink Out Y	The yellow ink is out or the yellow ink cartridge is not installed correctly.
 Ink Out Y	The yellow ink is low. The yellow ink cartridge is nearly empty. Obtain a replacement ink cartridge.
 Roll Auto Cut	Auto Cut is selected. The roll paper will be automatically cut after printing.
 Roll Auto Cut	Roll paper is selected in the printer driver, but Sheet is selected at the control panel.
 Roll Cutter Off	Printing occurs continuously without cutting.
 Roll Cutter Off	Roll paper is selected in the printer driver, but Sheet is selected at the control panel.
 Sheet	Sheet is selected. Printing is on single sheet paper. The printer ejects the paper.
 Sheet	Sheet is selected in the printer driver, but Roll Auto Cut or Roll Cutter Off is selected at the control panel.
All lights On	Reset has been executed by pressing the Pause button for 3 seconds or more.

Status messages

The following messages show the printer status. For error messages, see “Printer Stops Printing Unexpectedly”.

READY	Ready to print data.
PRINTING	The printer is printing a job.
POWER OFF	The printer is being turned off.
WAIT	The printer is warming up, charging ink or initializing.
INK CHARGING nnn%	The printer is charging the ink delivery system. This message shows the progress of the ink charging process.
INK DRY nn MIN	Drying ink after printing. Wait for nn minutes.
PAUSE	The printer is paused. To resume printing, press the Pause button.
RESET	The printer is being reset.
PRESS PAUSE BUTTON	The printer is waiting for a trigger signal to start media initialization.
PAPER OUT	No media is set in the printer.
LOAD xxx PAPER	The set media is different from the driver setting concerning the Roll/Sheet media setting.
LOAD PAPER	The paper lever is set to the released position.
PAPER JAM	Paper is jammed in the printer.
FRONT COVER OPEN	The front cover is open.
PAPER NOT CUT	A paper cut error has occurred.
PAPER NOT STRAIGHT	The paper is not loaded straight.
RELOAD PAPER	The printer cannot detect any paper.
INK COVER OPEN	The ink compartment cover is open.
INK OUT	Ink cartridge(s) is (are) empty.

INK LOW	Ink cartridge(s) is (are) nearly empty. Replace the ink cartridge(s) indicated by the Ink Out light(s). When the ink cartridge(s) is (are) out, printing stops. Printing can be resumed after empty cartridge(s) has (have) been replaced.
NO INK CARTRIDGE	You are replacing the ink cartridge(s).
DEFECTIVE INK CRTG	CSIC error has occurred. Remove the cartridge and reinstall it.
COMMAND ERROR	This message is displayed in the following cases: 1. When the installed printer software is not correct for your printer. 2. When damaged data is sent to the printer while using the photo printing accelerator. 3. When the printer receives data with a wrong command sequence for ESC/P2.
OPTION I/F ERROR	A Type-B I/F error has occurred.
SERVICE REQ nnnnnnnn	A fatal error has occurred.
MAINTENANCE REQ nnnn	A part used in the printer has nearly reached the end of its service life. Note the error number nnnn and contact your dealer. See "Contacting Customer Support".
TURN PWR OFF AND ON	After clearing jammed paper, this message appears. Turn the printer off and on.
CLOSE INK COVER	The ink compartment cover is open. Close the cover.
NOZZLE CHECK ERROR	Correct test printing is not printed while Auto Nozzle Check is performed.
WRONG CARTRIDGE	This message is displayed when a wrong type of ink cartridge is installed.
INVALID CARTRIDGE	This message is displayed if an ink cartridge with the wrong product number is installed.
NOT ENOUGH INK	The ink remaining is not enough to finish cleaning.
UNABLE TO PRINT	No paper is loaded when printing a pattern, such as a nozzle check pattern.

SelectType Settings

When to use SelectType

The SelectType mode enables you to make printer settings similar to those you would normally make in the driver or software, as well as other additional settings—directly through the control panel. Keep the following points in mind when making SelectType settings:

- ❑ Application programs may send commands to the printer that override SelectType settings. If you are not getting the results you expect, check your application settings.

- ❑ To see the current SelectType settings, print a status sheet.

SelectType menu list

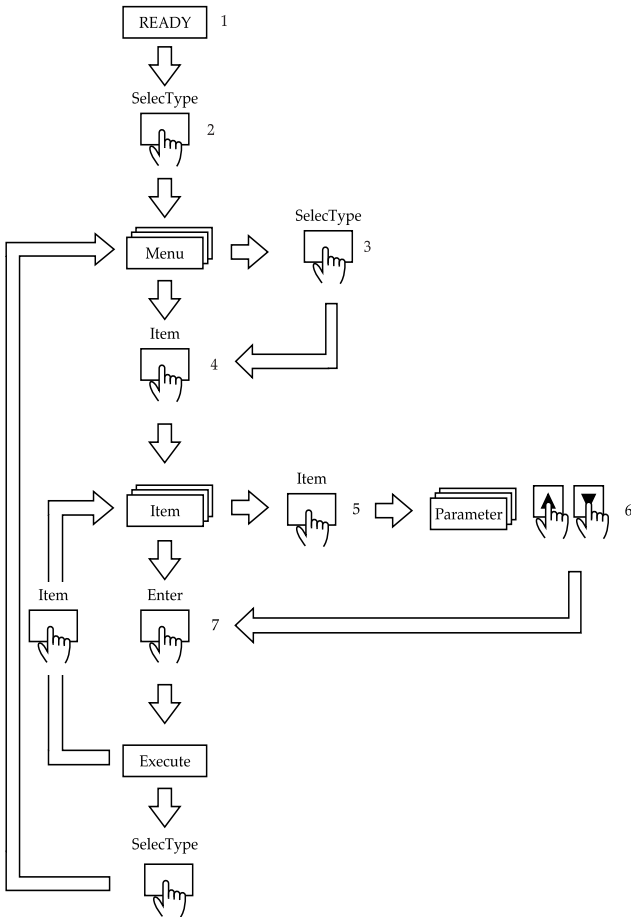
Menu	Item	Parameter
"PRINTER SETTING MENU"	"PLATEN GAP"	NARROW, STANDARD, WIDE
	"PAGE LINE"	ON, OFF
	"INTERFACE"	AUTO, PARALLEL, USB, OPTION1, OPTION2
	"CODE PAGE"	PC437, PC850
	"ROLL MARG"	T/B15mm, 3mm, 15mm
	"PAPER SIZE CHK"	ON, OFF
	"PAPER ALIGN CHK"	ON, OFF
	"INIT. SETUP"	EXEC

"TEST PRINT MENU"	"NOZZLE CHECK"	PRINT
	"STATUS CHECK"	PRINT
	"JOB INFO"	PRINT
"PRINTER STATUS MENU"	"VER"	TPOxxxx.xxxx.xxxx
	"JOB HISTORY"	No. 0 - No. 10
	"CLR JOB HSTRY"	EXEC
	"REMAIN INK K/C/M/LC/LM/Y"	xxxxxPG
	"INK USED"	xxxxx.xml
	"PAPER USED"	xxxxx.xcm
	"INK COUNT CLR"	EXEC
	"PAPER C. CLR"	EXEC
	"INK LEFT-K/C/M/LC/LM/Y"	0%, nn%, E*F, E**F, E***F, E****F, E*****F
	"TOTAL PRINTS"	nnnnnn
	"WASTE INK"	E F, E*F, E**F, E***F, E****F, E*****F
	"CUTTER LIFE"	E F, E*F, E**F, E***F, E****F, E*****F
	"CR MOTOR"	E F, E*F, E**F, E***F, E****F, E*****F
	"PF MOTOR"	E F, E*F, E**F, E***F, E****F, E*****F
"HEAD UNIT"	E F, E*F, E**F, E***F, E****F, E*****F	
"CLEANER"	E F, E*F, E**F, E***F, E****F, E*****F	

"PAPER CONFIG MENU"	"PAPER NUMBER"	STD, 1-10
	"THICK PAT."	PRINT
	"PAPER THK NO."	AUTO, 1 - 17
	"CUT PRESSURE"	0% - 100%
	"CUT METHOD"	3 STEP, 4 STEP
	"PPR FEED ADJ"	-1.00% - 1.00%
	"DRYING TIME"	00.0sec - 10.0sec
	"SUCTION"	NORMAL, WEAK, WEAKEST
	"PRINT ADJUSTMENT"	1 - 5 - 9
"MAINTENANCE MENU"	"BK INK CHANGE"	EXEC
	"CUT. REPLACE"	EXEC
"HEAD ALIGNMENT MENU"	"PAPER THICK."	STD, 0.0mm - 1.6mm
	"PAPER GROUP"	A, B, C
	"ALIGNMENT"	Bi-D LC, Bi-D ALL, Uni-D

Basic SelectType setting procedure

The following shows the basic SelectType setting procedure.



1	Status display
2	To forward to menu

3	To select menu ex) If you want to select the third menu, press this button three times.
4	To access the menu
5	To select items ex) If you want to select the third item, press this button three times.
6	To set parameters
7	To access the item

Note:

Press the Pause button any time to return to the READY status.

1. Enter the SelectType mode

Make sure that READY is displayed on the LCD panel, then press the SelectType button.

2. Select a menu

Press the SelectType button to select a desired menu.

To return to the READY status, press the Pause button.

3. Select an item

Press the Item button. The first item of the selected menu is displayed. Press the Item button to select a desired item.

If the item is for execution only, press the Enter button to execute the function for the item. After execution, the printer exits SelectType mode and returns to the READY status.

4. Select a parameter

Press the + or - button to select a parameter for the item.

To display the next item without changing the default value, press the Item button.

5. Set the parameter

Press the Enter button to store the selected parameter.

Press the Item button to return to step 3 if you want to select another item.

6. Exit the SelectType mode

Press the Pause button.

Note:

To return to step 2, press the SelectType button. Press the SelectType button again to exit the SelectType mode.

Details of SelectType

PRINTER SETTING MENU

This menu contains the following items.

PLATEN GAP

Normally, leave this set to STANDARD. If you find that the printed image is smeared, select WIDE. Select NARROW for printing on a thin paper.

PAGE LINE

Select whether page lines are printed on the roll paper.

The Print Page Line operation changes according to the Auto Cut settings as shown.

Roll Auto Cut light	Print Page Line	Printer's Operation
On	On	Prints page line on the right side only, and cuts paper automatically after the print job.
On	Off	Cuts paper automatically after the print job.

Roll Cutter Off light	Print Page Line	Printer's Operation
On	On	Prints page lines on the right side and below the document.
On	Off	Does not print page lines nor cut.

Note:

When the Sheet light is on, the Print Page Line setting is not available.

INTERFACE

When AUTO is selected, the printer automatically switches between interfaces depending on which one is receiving data first. If no more print jobs have been received, the printer returns to an idle state after 10 seconds or more. You can also select the interface from parallel, USB, option1, or 2.

CODE PAGE

Select the code page from PC437 and PC850.

ROLL MARG

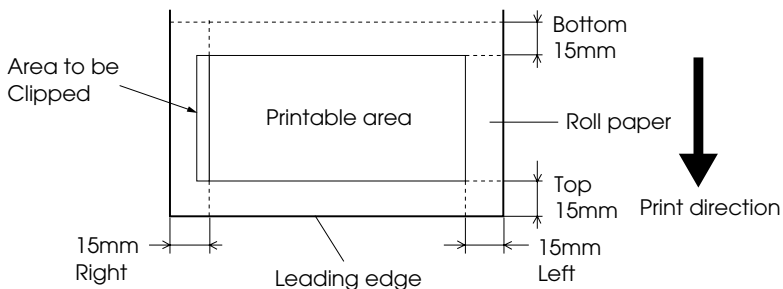
Select margins for roll paper from 3 mm, 15 mm, and T/B 15 mm.

Margin settings	Top/Bottom	Left/Right
3 mm	3 mm	3 mm
15 mm	15 mm	15 mm
T/B 15 mm	15 mm	3 mm

Note:

The combination of "Top/Bottom = 3 mm, Left/Right = 15 mm" is not selectable.

When the same image is printed with a 3 mm margin and a 15 mm margin and compared, you may notice that part of the right side of the 15 mm margin image is not printed.



PAPER SIZE CHK

When you select **ON**, the printer stops printing and **RELOAD PAPER** appears on the printer's control panel when the paper width loaded in the printer does not match the image width. When **OFF** is selected, the printer continues to print even if the paper width does not match the images and the printer may print off of paper.

PAPER ALIGN CHK

When **OFF** is selected, paper align error does not occur even if the printed image is out of range of the paper so that the printer can continue the print job.

When **ON** is selected, **PAPER NOT STRAIGHT** is displayed on the LCD panel and the printer stops printing.

INIT. SETUP

Sets all setting values you have made in the **PRINTER SETTING MENU** to their factory set value.

TEST PRINT MENU

This menu contains the following items.

NOZZLE CHECK

Prints the nozzle check pattern for six colors. From the printing results, you can check for missing dots. Also, the firmware version is printed. For details, see “Printing a nozzle check pattern”.

You can perform nozzle check pattern printing using the utility.

STATUS CHECK

Prints the current SelecType status. For details, see “Printing a status sheet”.

JOB INFO

Prints the job information saved in the printer (up to 10 jobs).

PRINTER STATUS MENU

This menu contains the following items.

VER

Shows the firmware version.

JOB HISTORY

Displays the print jobs saved in the printer. Ink consumption (INK) is displayed in ml, paper consumption (PAPER) in m², and the time required for the print job (PRINT TIME) in seconds. The latest job is saved as No.0.

CLR JOB HSTRY

Clears the job history in the printer.

REMAIN INK K/C/M/LC/LM/Y

Displays the number of pages printable for each ink cartridge.

INK USED

Displays the ink consumption in ml.

Note:

Values that are displayed on the LCD panel are rough indications.

PAPER USED

Displays the paper consumption in cm.

Note:

Values that are displayed on the LCD panel are rough indications.

INK COUNT CLR

Clears the value set in INK USED.

PAPER C. CLR

Clears the value set in PAPER USED.

INK LEFT-K/C/M/LC/LM/Y

Displays the amount of ink left in the Black/Cyan/Magenta/Light Cyan/Light Magenta/Yellow ink cartridges.

E ***** F (100-81%)

E ***** F (80-61%)

E *** F (60-41%)

E ** F (40-21%)

E * F (20-11%)
nn% (less than 10%)

TOTAL PRINTS

Displays the total amount of pages you have printed.

WASTE INK

For maintenance service person only.

CUTTER LIFE

Displays cutter life.

Note:

Values that are displayed on the LCD panel are rough indications.

CR MOTOR

For maintenance service person only.

PF MOTOR

For maintenance service person only.

HEAD UNIT

For maintenance service person only.

CLEANER

For maintenance service person only.

PAPER CONFIG MENU

This menu contains the following items.

PAPER NUMBER

When STD is selected, the printer determines paper thickness automatically. You can also select No. X (X can be any number between 1 to 10) to register the following settings or to recall the following settings you made.

- Thickness number
- Cut pressure
- Cut method
- Paper feed adjustment
- Print adjustment
- Drying time
- Suction

Note:

If you select STD, the printer prints data according to the driver settings. If you select No. X, the control panel settings override the driver settings unless you select AUTO in PAPER THK NO..

THICK PAT.

Prints the paper thickness detection pattern. If STANDARD is selected in PAPER NUMBER, the pattern is not printed.

PAPER THK NO.

If you use EPSON special media, you should normally select AUTO. If you use non-EPSON special media, confirm the paper thickness detection pattern, and enter the number for the print pattern with the smallest gap.

CUT PRESSURE

Set the cutter pressure (0 to 100%) for cutting paper. Lower the pressure to cut weaker paper.

CUT METHOD

Specifies the cutting method. There are two ways to cut paper (3 STEP and 4 STEP). Select 4 STEP for cutting weaker or thicker paper.

PPR FEED ADJ

Sets the paper feed amount. The range is -1.00 to 1.00%.

DRYING TIME

Sets the ink drying time per print head pass. The range is 0 to 10 seconds.

SUCTION

Sets the suction pressure for feeding the printed-paper. If you use a thin paper, such as film, select WEAK or WEAKEST.

PRINT ADJUSTMENT

Adjusts the MicroWeave mode. The setting range is 1 to 9. Increase the value to give priority to the printing speed. Decrease it to give priority to the print quality.

MAINTENANCE MENU

This menu contains the following items.

BK INK CHANGE

Enables you to replace black ink cartridges for the most desirable printing. See "Replacing Black Ink Cartridges" for the details.

CUT. REPLACE

Displays the procedure for replacing the paper cutter. Follow the instructions on the LCD panel.

HEAD ALIGNMENT MENU

This menu contains the following items.

PAPER THICK.

Adjusts the paper thickness of the paper that you are going to use. If you use EPSON special media and its paper thickness is 0.2mm or 1.2mm, select **STD**. If you use non-EPSON special media, enter the paper thickness in the range of 0.0 to 1.6mm.

PAPER GROUP

Select A, B, or C according to the media you use.

Roll paper for UltraChrome ink:

Paper Group	Media Name
A	EPSON Premium Glossy Photo Paper (250)
	EPSON Premium Semigloss Photo Paper (250)
	EPSON Premium Semimatte Photo Paper (250)
	EPSON Premium Luster Photo Paper
	EPSON Premium Glossy Photo Paper
	EPSON Photo Glossy Paper
	EPSON Photo Grade Glossy Paper
	EPSON Premium Semigloss Photo Paper
	EPSON Photo Semigloss Paper
	EPSON Photo Grade Semigloss Paper
	EPSON Canvas
	EPSON Backlight Film
	EPSON Enhanced Synthetic Paper
	EPSON Enhanced Adhesive Synthetic Paper
B	EPSON Glossy Paper - Photo Weight
	EPSON Doubleweight Matte Paper
	EPSON Enhanced Matte Paper
	EPSON Smooth Fine Art Paper
	EPSON Textured Fine Art Paper
	Plain paper
C	-

Cut sheets for UltraChrome ink:

Paper Group	Media Name
A	EPSON Archival Matte Paper
	EPSON Enhanced Matte Paper
B	EPSON Glossy Paper - Photo Weight
C	EPSON Smooth Fine Art Paper
	EPSON Textured Fine Art Paper
	EPSON Enhanced Matte Poster Board

Roll paper for ColorFast ink:

Paper Group	Media Name
A	EPSON Premium Glossy Photo Paper (250)
	EPSON Premium Semigloss Photo Paper (250)
	EPSON Premium Semimatte Photo Paper (250)
	EPSON Premium Luster Photo Paper
	EPSON Premium Glossy Photo Paper
	EPSON Photo Glossy Paper
	EPSON Photo Grade Glossy Paper
	EPSON Premium Semigloss Photo Paper
	EPSON Photo Semigloss Paper
	EPSON Photo Grade Semigloss Paper
	EPSON Canvas
	EPSON Backlight Film
	EPSON Glossy Film
	EPSON Heavyweight Polyester Banner
	EPSON Tyvek® Brillion™
	EPSON Adhesive Vinyl
	EPSON Synthetic Paper
	EPSON Adhesive Synthetic Paper
	EPSON Enhanced Synthetic Paper
	EPSON Enhanced Adhesive Synthetic Paper

B	EPSON Glossy Paper - Photo Weight
	EPSON Doubleweight Matte Paper
	EPSON Enhanced Matte Paper
	EPSON Watercolor Paper - Radiant White
	EPSON Smooth Fine Art Paper
	EPSON Textured Fine Art Paper
	Plain paper
C	-

Cut sheets for ColorFast ink:

Paper Group	Media Name
A	-
B	EPSON Glossy Paper - Photo Weight
	EPSON Archival Matte Paper
	EPSON Enhanced Matte Paper
	EPSON Watercolor Paper - Radiant White
C	EPSON Smooth Fine Art Paper
	EPSON Textured Fine Art Paper
	EPSON Enhanced Matte Poster Board

Roll paper for Dye ink:

Paper Group	Media Name
A	EPSON ColorLife™ Photo Paper Semigloss
	EPSON Premium Luster Photo Paper
	EPSON Premium Semimatte Photo Paper (250)
	EPSON Photo Glossy Paper
	EPSON Photo Grade Glossy Paper
	EPSON Photo Semigloss Paper
	EPSON Photo Grade Semigloss Paper
	EPSON Glossy Film
	EPSON Backlight Film
	EPSON Heavyweight Polyester Banner
EPSON Polyester Banner	

B	EPSON Glossy Photo Paper
	EPSON Glossy Paper - Heavy Weight
	EPSON Semigloss Photo Paper
	EPSON Semigloss Paper - Heavy Weight
	EPSON Presentation Matte Paper
	EPSON Doubleweight Matte Paper
C	-

Cut sheets for Dye ink:

Paper Group	Media Name
A	EPSON ColorLife™ Photo Paper
	EPSON Photo Quality Ink Jet Paper
	EPSON Photo Quality Glossy Film
B	EPSON Photo Paper
	EPSON Glossy Photo Paper
C	EPSON Poster Board - Semigloss

ALIGNMENT

Enables you to correct any head misalignment to obtain optimum printing results. For details, see “Performing the head alignment”.

Printing a nozzle check pattern

A nozzle check pattern can be printed to check six colors for missing dots.

1. Load paper in your printer as described in “Using Roll Paper” or “Using Cut Sheet Media”.

2. In SelectType mode, press the SelectType button until TEST PRINT MENU is displayed on the LCD panel.
3. Press the Item button to display NOZZLE CHECK.
4. Press the Enter button.
The nozzle check pattern is printed as shown below. After printing, the printer exits the SelectType mode and returns to the READY status.

Nozzle check pattern examples:

good



head cleaning necessary



If you find that any segments are missing from the test lines in the pattern, you need to clean the print heads. Press the Cleaning button on the control panel for more than 3 seconds or access the Head Cleaning utility from the EPSON printer utilities in your software. See “Using the Printer Utilities” for Windows or “Using the Printer Utilities” for Macintosh.



Caution:

Before you start printing images, make sure that the nozzle check pattern printing is complete. Otherwise, print quality may decline.

Performing the head alignment

How to perform the head alignment by SelectType is described below.

1. Load paper in your printer as described in “Using Roll Paper” or “Using Cut Sheet Media”.

Note:

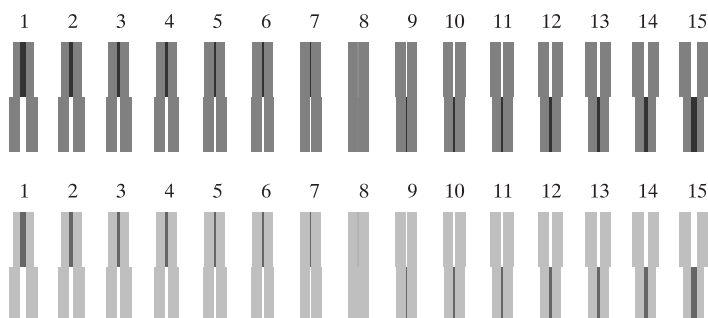
For best results, use the media you want to print your image on when printing the head alignment pattern.

2. In SelectType mode, press the SelectType button until HEAD ALIGNMENT MENU is displayed on the LCD panel.
3. Press the Item button. PAPER THICK appears. When you want to print on EPSON media, leave this setting as STD. When you want to print on non-EPSON media, enter the thickness value of the paper in 0.1 mm increments by pressing the + or - button.
4. Press the Enter button to register your value. ALIGNMENT=Bi-D LC appears.
5. Press the Enter button. The printer starts printing head alignment pattern.

Note:

This pattern is printed in only Light Cyan. If you want to align the print heads in all colors, or if you find some problems with the result in Light Cyan, select Bi-D ALL. If you still have some problems with the result in all colors, align the print heads with Uni-D.

Head alignment pattern examples:



6. After printing, the pattern number and current set number are displayed. Select the set that has the smallest gaps, then press the + or - button to display the number for that set.
7. Press the Enter button to register the set number. The next pattern number appears. Then repeat step 6.
8. After you set the pattern(s), press the PAUSE button to return to the READY status.

Note:

You can return to step 6 by pressing the Enter button.

Setting the paper thickness

When you use media other than EPSON special media, you may need to set the paper thickness. You can select whether the thickness of the paper you are using is determined automatically (STD (standard)) or by the registered value (1 to 10) in the Paper Settings menu. To register and recall the settings you made, see the following sections. You can also register the ink drying time for respective paper settings including STD. To select the registered setting, see "Selecting the registered settings".

Registering the settings

To register the paper thickness and ink drying time settings, follow the steps below.

1. Load the paper which you want to check referring “Using Roll Paper” or “Using Cut Sheet Media”.
2. In the SelectType mode, press the SelectType button until PAPER CONFIG MENU appears on the LCD panel.
3. Press the Item button. PAPER NUMBER appears.
4. Press the + or - button to select the number you want to register as the setting. When you select STD, skip to step 8 to set the ink drying time.
5. Press the Item button. THICK PAT. appears. If you press the Item button again, you can skip to step 7 without printing the paper thickness test printing pattern. If you press the Enter button, the printer prints the paper thickness test printing pattern.

Paper thickness test pattern example:



6. Examine the printed pattern to determine which set of lines are aligned (show the smallest gap), and note the corresponding number.
7. You may see PAPER THK NO. . . If you use EPSON special media, select AUTO. If you use non-EPSON special media, press the + or - button to select the number noted in step 6.

Note:

The default value depends on the PAPER THICK. value in the Head Alignment menu and is displayed as a PAPER THK NO. in the Paper Configuration menu as shown below:

PAPER THICK. value	PAPER THICK. NO.
0.0 MM to 1.6 MM	AUTO, 1 to 17

8. Press the Enter button to save the selected value.
9. Press the Item button to display CUT PRESSURE. Press + or - button to set the cutter pressure for cutting paper, then the Enter button.
10. Press the Item button to display CUT METHOD. Press + or - button to select either 3 STEP or 4 STEP, then the Enter button.

Note:

When cutting non-EPSON media and weaker or thick paper, 4 STEP is recommended.

11. Press the Item button to display PPR FEED ADJ. Press the + or - button to set the paper feed amount, then the Enter button.
12. Press the Item button to display PRINT ADJUSTMENT. Press + or - button to adjust MicroWeave, then the Enter button. The setting range is 1 to 9. Increase the value to give priority to printing speed. Decrease it to give priority to the print quality.
13. Press the Item button. DRYING TIME appears. Press the + or - button to select time in minutes.
14. Press the Enter button to save the selected value.
15. Press the Item button to display SUCTION. Press + or - button to select NORMAL, WEAK or WEAKEST.

Note:

When you are loading very thin paper, set the Suction setting to WEAKEST.

16. Press the Enter button to save the selected value.
17. Press the Pause button to exit the SelecType mode.

Selecting the registered settings

To select the registered settings, follow the steps below.

1. In the SelecType mode, press the SelecType button until PAPER CONFIG MENU appears on the LCD panel.
2. Press the Item button. You may see PAPER NUMBER.
3. Press the + or - button to select the number registered that you want to use. If you select STD, the printer prints data according to the driver settings. If you select No. X, the control panel settings override the driver settings unless you select AUTO in PAPER THK NO.. Then press the Enter button.
4. Press the Pause button to exit the SelecType mode.

Printing a status sheet

In SelecType mode, a status sheet can be printed to see the current SelecType default values.

1. Load paper as described in "Using Roll Paper" or "Using Cut Sheet Media".
2. In SelecType mode, press the SelecType button until TEST PRINT MENU is displayed.
3. Press the Item button until STATUS CHECK is displayed.

4. Press the Enter button.
A status sheet is printed. After printing, the printer exits SelectType mode and returns to the READY status.

Maintenance Mode

Using the maintenance mode you can perform a hex dump and select the language to be displayed on the LCD.

How to enter the maintenance mode

First, confirm the printer is off. While pressing and holding the PAUSE button, press the POWER button to turn on the printer. MAINTENANCE MODE is displayed on the LCD panel while the printer enters maintenance mode.

Maintenance mode list

Items

If you select ON, the printer saves all the print jobs you have made, including test printing. If you select OFF, the printer saves only print jobs that were sent to the printer through the printer driver.

Item	Parameters
"HEX DUMP"	PRINT
"LANGUAGE"	ENGLISH, FRENCH, ITALIAN, GERMAN, SPANISH, PORTUGUESE
"UNITS"	METRIC*, FEET/INCHES
"PARA, I/F"	ECP*, COMPAT
"IEEE1284.4"	ON, OFF*
"INTERNAL JOB CT"	ON, OFF
"AUTO NZL CHK"	ON*, OFF
"SSCL"	EXEC
"MW7"	A*, B, C
"MW7 BALANCE"	-30 - 0* - +30
"MW1 SELECT"	1*, 2, 3, 4, 5, 6, 7, 8
"MW2 SELECT"	1*, 2, 3, 4, 5, 6
"DEFAULT PANEL"	EXEC
"K/C/M/LC/LM/Y CARTRIDGE INFO"	MANUFACT., CRTG, INK TYPE, INK CAP, PROD.DATE, EXPIRE DATE, INK LIFE, AGE
"SN MENU"	-

* is factory set value

HEX DUMP

Data received from the host computer can be printed out in hexadecimal numbers.

Follow these steps to print it out.

1. Load paper into the printer.
2. In maintenance mode, press the Item button to display HEX DUMP.
3. Press the Enter button.
The print data in the print buffer is printed with 16-byte hex. data in the left column, and corresponding ASCII characters in the right column.

Notes:

If the last data is less than 16 bytes, it is not printed until you press the Pause button.

LANGUAGE

You can select the language to be displayed on the LCD panel.

Follow these steps to select a suitable language.

1. In maintenance mode, press the Item button until LANGUAGE is displayed.
2. If you want to change the language, press the + or - button until a suitable language is displayed.
3. Press the Enter button to set the language. Confirm that the READY (or similar word in the language selected) is displayed on the LCD panel.

Note:

It takes a while until READY (or similar word in the language selected) is displayed.

UNITS

You can select the units for displaying length.

Note:

This item is available only when you choose ENGLISH in LANGUAGE.

Follow these steps to select the units.

1. In maintenance mode, press the Item button until UNITS is displayed.
2. If you want to change the units, press the + or - button until a suitable unit is displayed.
3. Press the Enter button to set the units.

PARA, I/F

This is for maintenance service person only.

IEEE1284.4

This is for maintenance service person only.

INTERNAL JOB CT

When ON is selected, all print jobs including Nozzle check pattern and head alignment, are recorded in the JOB HISTORY. When OFF is selected, only the print jobs that are sent through the printer driver are recorded.

AUTO NZL CHK

You can select ON to check nozzles automatically, or OFF to not check nozzles automatically.

SSCL

You can perform ultrasonic head cleaning.

Note:

This item is available only if you use UltraChrome or ColorFast ink.

MW7

MW7 is for test printing and shall only be used by a qualified service representative.

MW7 BALANCE

MW7 BALANCE is for test printing and shall only be used by a qualified service representative.

MW1 SELECT

MW1 SELECT is for test printing and shall only be used by a qualified service representative.

MW2 SELECT

MW2 SELECT is for test printing and shall only be used by a qualified service representative.

DEFAULT PANEL

You can set all setting values you made in the SelecType mode to their factory set value.

K/C/M/LC/LM/Y CARTRIDGE INFO

CARTRIDGE INFO is for maintenance service person only.

SN MENU

SN MENU is for test printing and shall only be used by a qualified service representative.

Printing with Windows

Accessing the Printer Software

To access the printer software installed in your computer, follow the instructions below.

You can access the printer software from most Windows applications, from My Computer, or from Printer and Faxes.

From Windows Applications

1. Open the File menu and choose Print or Page Setup.
2. Make sure your printer is selected, and click Printer, Setup, Options, Properties, or Preference. (Depending on your application, you may need to click a combination of these buttons.) The printer software window appears.

From My Computer

For Windows Me, 98, 95

1. Double-click the My Computer icon, then double-click the Printers.
2. Right-click your printer icon, then click Properties. The printer software window appears.

For Windows 2000

1. Double-click the My Computer icon, the Control Panel icon, then the Printers.

2. Right-click your printer icon, then click Printing Preferences. The printer software window appears.

For Windows NT4.0

1. Double-click the My Computer icon, then double-click the Printers.
2. Right-click your printer icon, then click Document Defaults. The printer software window appears.

From Printers and Faxes (For Windows XP only)

1. Click Start button, then Printers and Faxes.
2. Right-click your printer icon, then click Printing Preferences. The printer software window appears.

Note:

The specific features available in the printer software vary depending on the versions of Windows you are using.

Basic Settings

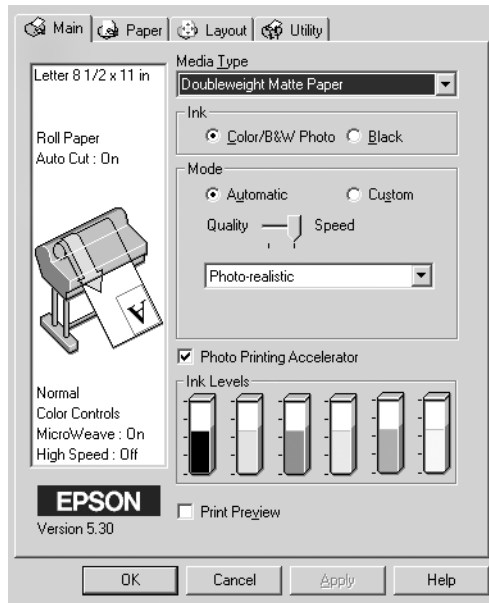
Making the printer driver settings

To make the basic settings to print your documents, access the Main menu and Paper menu in the printer driver. In the Paper menu, you can set particular settings for printing on roll paper; Auto Rotate, Auto Cut, and Print Page Line.

For details about the printer software, see online help by pressing the Help button in the driver settings window.

1. Click Print on the File menu. The Print dialog box appears.
2. Make sure your printer is selected and then click Properties, or Options. You may need to click a combination of these buttons. The driver settings window appears.
3. Click Main tab to display the Main menu.

Main Menu



4. Select the media you loaded in the printer from the Media Type list.

Note:

The Media Type setting determines what other settings are available, so you should always make this setting first.

5. In the Ink box, if you use UltraChrome ink, select Color/B&W Photo to print color, or Black to print a draft or black text only. If you use ColorFast or dye ink, select Color to print in color, or Black to print in black and white.
6. Make sure the Automatic radio button in the Mode box is selected.

Note:

When Automatic is selected, the printer driver takes control of all detailed settings based on the current Media Type setting and Ink setting.

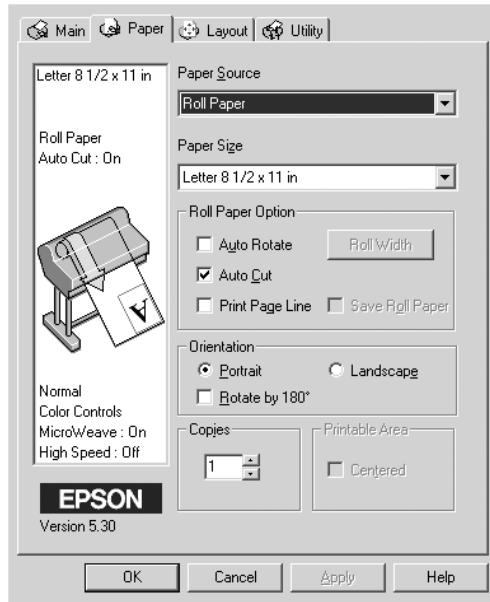
7. Adjust Speed and Quality in the Mode box if a slider appears. Drag the slider left or right depending on which is more important. This setting is usually automatically decided in accordance with your Media Type setting.

Note:

Depending on the Media Type you choose, a slider appears in the Mode box.

8. Click the Paper tab to display the Paper menu.

Paper Menu



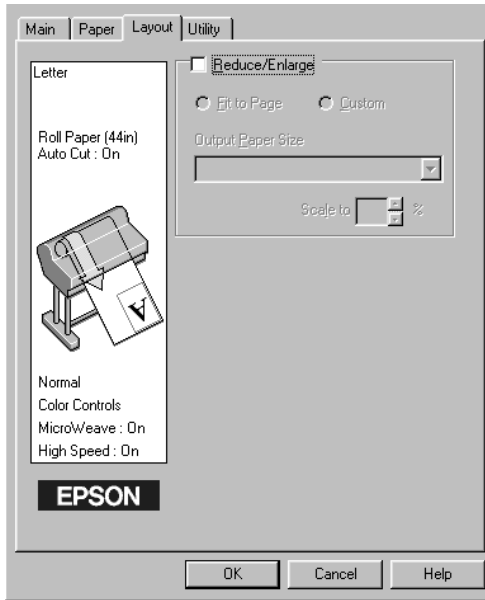
9. Select the type of paper you loaded in the printer from the Paper Source list.
10. Select the paper size you loaded in the printer from the Paper Size list.

Note:

Most Windows applications feature paper size settings that override similar settings in the printer driver.

11. When roll paper is used, set the Roll Paper Option as required. See “Roll Paper Option”.
12. Make settings for Orientation, Copies, and Printable Area.
13. Click the Layout tab to display the Layout menu.

Layout menu



14. Select Reduce/Enlarge and adjust the printing image size if necessary.

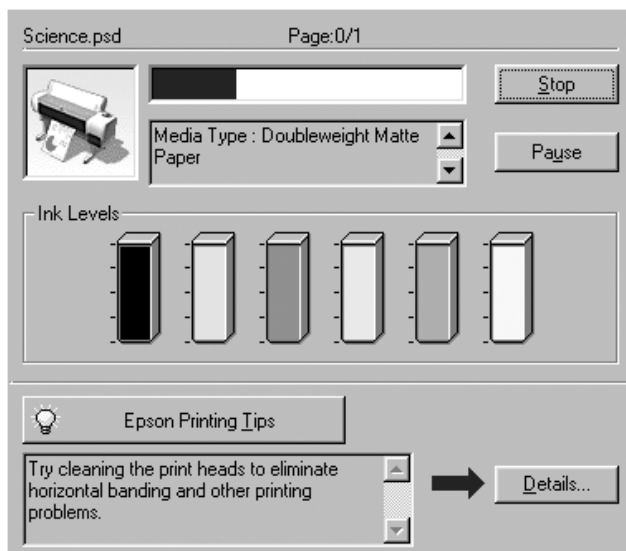
Note:

This function is not available when Roll Paper (Banner) is selected from the Paper Source list.

15. Click the OK button at the bottom of the window. The screen returns to the Print Setup dialog (or a similar dialog) of your application.
16. Click Print to print the document.

While printing, the EPSON Progress Meter will be appear, showing the printing progress and the status of your printer.

Progress meter



Canceling printing

To cancel the printing in progress, press the Stop button on the EPSON Progress Meter.

You can also pause or restart printing. To pause printing, press the Pause button. To resume printing, press this button again.



Caution:

When you stop printing in progress, you may need to start printing again from the beginning for best result. Otherwise misalignment or banding may appear on the printed image.

Using the Printer Driver

The printer driver software allows the computer to control the printer according to the settings you make for your printing requirements.

Making the Media Type setting

The Media Type setting determines what other settings are available, so you should always make this setting first.

On the “Main Menu”, select the Media Type setting that matches the paper loaded in the printer. Find your paper in the list below, then select a corresponding Media Type setting. For some kinds of paper, you have several Media Type settings to choose from.

Note:

- ❑ *The availability of special media varies by country.*
- ❑ *When you are using paper other than EPSON special media, see “Notes for Special Media and Other Media”.*

For UltraChrome ink:

Media Type Setting	EPSON Special Media Name/Description
Doubleweight Matte Paper	EPSON Doubleweight Matte Paper
Enhanced Matte Paper	EPSON Enhanced Matte Paper EPSON Archival Matte Paper
Glossy Paper - Photo Weight	EPSON Glossy Paper - Photo Weight
Premium Glossy Photo Paper	EPSON Premium Glossy Photo Paper
Premium Semigloss Photo Paper	EPSON Premium Semigloss Photo Paper
Premium Luster Photo Paper	EPSON Premium Luster Photo Paper
Photo Glossy Paper	EPSON Photo Glossy Paper EPSON Photo Grade Glossy Paper
Photo Semigloss Paper	EPSON Photo Semigloss Paper EPSON Photo Grade Semigloss Paper
Premium Glossy Photo Paper (250)	EPSON Premium Glossy Photo Paper (250)
Premium Semigloss Photo Paper (250)	EPSON Semigloss Photo Paper (250)
Premium Semimatte Photo Paper (250)	EPSON Semimatte Photo Paper (250)
Smooth Fine Art Paper (Roll)	EPSON Smooth Fine Art Paper
Smooth Fine Art Paper (Sheet)	EPSON Smooth Fine Art Paper
Textured Fine Art Paper (Roll)	EPSON Textured Fine Art Paper
Textured Fine Art Paper (Sheet)	EPSON Textured Fine Art Paper
Canvas	EPSON Canvas
Backlight Film	EPSON Backlight Film
Enhanced Synthetic Paper	EPSON Enhanced Synthetic Paper
Enhanced Adhesive Synthetic Paper	EPSON Adhesive Synthetic Paper

Plain Paper	-
Enhanced Matte - Poster Board	EPSON Enhanced Matte Poster Board

For ColorFast ink:

Media Type Setting	EPSON Special Media Name/Description
Plain Paper	-
Doubleweight Matte Paper	EPSON Doubleweight Matte Paper
Glossy Paper - Photo Weight	EPSON Glossy Paper - Photo Weight
Premium Glossy Photo Paper	EPSON Premium Glossy Photo Paper EPSON Premium Glossy Photo Paper (250)
Premium Semigloss Photo Paper	EPSON Premium Semigloss Photo Paper EPSON Premium Semigloss Photo Paper (250)
Photo Glossy Paper	EPSON Photo Glossy Paper EPSON Photo Grade Glossy Paper
Photo Semigloss Paper	EPSON Photo Semigloss Paper EPSON Photo Grade Semigloss Paper
Premium Luster Photo Paper	EPSON Premium Semimatte Photo Paper EPSON Premium Luster Photo Paper
Watercolor Paper - Radiant White	EPSON Watercolor Paper - Radiant White
Smooth Fine Art Paper (Roll)	EPSON Smooth Fine Art Paper
Smooth Fine Art Paper (Sheet)	EPSON Smooth Fine Art Paper
Textured Fine Art Paper (Roll)	EPSON Textured Fine Art Paper
Textured Fine Art Paper (Sheet)	EPSON Textured Fine Art Paper
Glossy Film	EPSON Glossy Film
Synthetic Paper	EPSON Synthetic Paper
Adhesive Synthetic Paper	EPSON Adhesive Synthetic paper
Heavyweight Polyester Banner	EPSON Heavyweight Polyester Banner

Adhesive Vinyl	EPSON Adhesive Vinyl
Tyvek Brillion	EPSON Tyvek® Brillion™
Backlight Film	EPSON Backlight Film
Canvas	EPSON Canvas
Media - 1	EPSON Enhanced Synthetic Paper
Media - 2	EPSON Enhanced Adhesive Synthetic Paper
Media - 3	EPSON Adhesive Vinyl EPSON Tyvek® Brillion™ *Select this setting when printing on these media in high ink duty mode.
High Duty Media - 1	High ink duty media (Maximum 160% ink duty mode) *Select this setting when printing on high ink absorbing media. This is recommended for POP.
High Duty Media - 2	High ink duty media (Maximum 200% ink duty mode) *Select this setting when printing on high ink absorbing media. This is recommended for POP.

For Dye ink:

Media Type Setting	EPSON Special Media Name/Description
Plain Paper	-
Presentation Matte Paper	EPSON Presentation Matte Paper
Photo Paper	EPSON Photo Paper EPSON Glossy Photo Paper
Semigloss Photo Paper	EPSON Semigloss Photo Paper EPSON Semi Gloss Paper - Heavy Weight
Photo Glossy Paper	EPSON Photo Glossy Paper EPSON Photo Grade Glossy Paper
Photo Semigloss Paper	EPSON Photo Semigloss Paper EPSON Photo Grade Semigloss Paper
Premium Luster Photo Paper	EPSON Premium Luster Photo Paper EPSON Premium Semimatte Photo Paper (250)
Glossy Film	EPSON Glossy Film EPSON Photo Quality Glossy Film
Photo Quality Ink Jet Paper	EPSON Photo Quality Ink Jet Paper EPSON Backlight Film EPSON Polyester Banner EPSON Doubleweight Matte Paper
Heavyweight Polyester Banner	EPSON Heavyweight Polyester Banner
ColorLife Photo Paper Semigloss	EPSON ColorLife™ Photo Paper Semigloss (Roll) EPSON ColorLife™ Photo Paper (Sheet)

Using the Automatic and Custom modes

These modes are arranged to give you two levels of control over

the printer driver, as explained below.

"Automatic mode"	The quickest and easiest way to start printing.
"Custom mode"	Corrects color and enhances photos. Useful for low resolution images. Choose from a list of ready-made settings suited to the kind of document you want to print. You can also add your own settings to this list.

In addition to making groups of settings that affect the overall print quality, you can also modify individual aspects of the print style and layout using the Paper menu. See "Adjusting page settings".

Automatic mode

When Automatic is selected on the "Main Menu", the printer driver takes care of all detailed settings based on the current Media Type and Ink settings. To make the Ink setting, click Color/B&W Photo to print color or monotone photos, or Black to print a draft or black text only if you use UltraChrome ink. If you use ColorFast or dye ink, click COLOR to print in color, or Black to print in black and white. To make the Media Type setting, see "Making the Media Type setting".

Note:

- ❑ *Depending on your print data, choose either Photo-realistic or Vivid from the pull down menu in the Mode box, so that you can get better results.*
- ❑ *Depending on the media you choose in the Media Type list while Automatic is selected, a slider appears in the Mode box that lets you choose Quality or Speed. Select Quality when print quality is more important than speed.*

- ❑ *Most Windows applications feature paper size and page layout settings that override similar settings in the printer driver. However, if your application does not, you should also verify the settings on the printer driver's Paper menu.*

Custom mode

The Custom mode lets you make a wide range of changes with a single click of the mouse. In the Custom Settings list, you'll find ready-made settings provided by EPSON. They are designed to match particular kinds of printouts, such as graphs and charts for a presentation.

You can also create your own settings and add them to this list. See "Advanced setting".

The Custom Settings list includes the following ready-made settings:

Text/Graph	Good for printing presentation documents such as graphs and charts.
ICM (For Windows Me, 98, 95, XP, and 2000)	ICM (Image Color Matching). This feature automatically adjusts printout colors to match colors on your screen.
sRGB	Best for color matching with other sRGB devices.
Advanced Photo	Good for printing scanned photos and digitally-captured images in high quality. Also helps prevent the misprinting of ink dots that may occur due to the movement of the print heads and paper.

Follow the steps below to select a Custom setting.

1. Click the Custom button on the "Main Menu".
2. From the Custom Settings list, select the most appropriate setting for the type of document or image you will print.

3. When you choose a Custom mode, other settings such as Print Quality and Color Adjustment are set automatically. Changes are shown in the Current Settings display at the bottom left of the Main menu.
4. Before printing, be sure to verify the Media Type and Ink settings, as they may be affected by the Custom setting you select. See “Making the Media Type setting”.

Advanced setting

The Advanced setting gives you complete control over your printing environment. Use these settings to experiment with new printing ideas, or to fine-tune a range of print settings to meet your individual needs. Once you are satisfied with your new settings, you can give them a name and add them to the Custom Settings list.

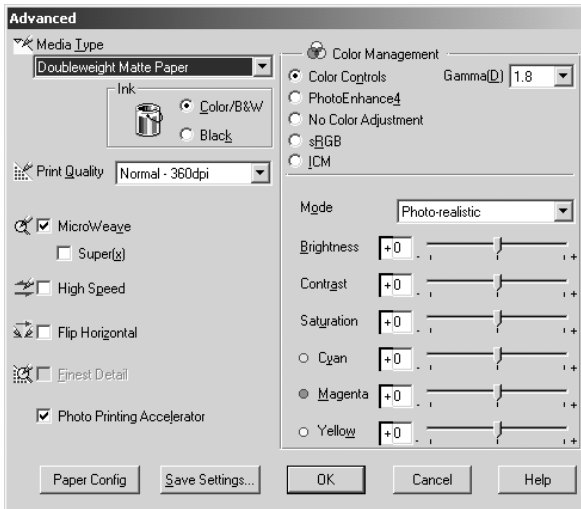
Follow the instructions below to make and save Advanced settings.

Note:

The printer driver screens that appear in this procedure are for Windows Me, 98, and 95. The appearance of the Windows XP, 2000, and NT 4.0 printer driver screens differ only slightly.

1. Click the Custom button on the “Main Menu” and then click Advanced. The following dialog box appears.

Advanced menu



2. Select the Media Type loaded in the printer. For details, see “Making the Media Type setting”.
3. If you use UltraChrome ink, choose Color/B&W to print color or monotone photo, or Black to print a draft or black text only. If you use ColorFast or dye ink, choose Color to print in color, or Black to print in black and white.
4. Select a Print Quality setting.
5. Make Paper Configuration settings as needed. For the details of each setting, see “Paper Configuration settings”.

Note:

Paper Configuration settings are available only when using UltraChrome ink.

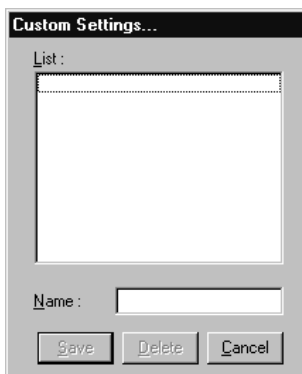
6. Make other settings as needed. For details, see online help.

Note:

- ❑ *Some settings are enabled or disabled depending on the Media Type, Ink, and Print Quality settings you make.*
- ❑ *If you check the photo printing accelerator, you cannot choose Automatic in Mode.*

7. Click OK to apply your settings and return to the Main Menu. If you want to return to the previous screen without applying your settings, click Cancel.

To save your Advanced settings, click Save Settings in the Advanced settings dialog box. The Custom Settings dialog box appears.



Type a unique name (up to 16 characters) for your settings in the Name box, and click the Save button. Your settings will be added to the Custom Settings list.

You can save up to 100 groups of settings. You can select your saved group of settings from the settings list on the “Main Menu”.

Note:

- ❑ *The names of the ready-made settings provided by EPSON cannot be applied to your new settings.*

- ❑ *To delete a setting, select the setting in the Custom Settings dialog box and click Delete.*
- ❑ *You cannot delete ready-made settings from the Custom Settings list.*

When you select your saved settings in the Custom Settings list, be aware that making new settings, for example Media Type and Ink settings, may change your custom settings. This may cause unexpected results in your printout. If this happens, reselect your saved settings and try printing again.

PhotoEnhance mode

The PhotoEnhance settings provide a variety of image-correction settings that you can apply to your photo images before printing. PhotoEnhance does not affect your original data. Click PhotoEnhance4 radio button on the “Advanced menu”.

Selecting PhotoEnhance4 also enables the Digital Camera Correction check box. Select this check box when you are printing photos taken with a digital camera to give your printed images the smooth, natural appearance of photographs taken with a film camera.

Note:

- ❑ *This mode is available only when 16-, 24-, or 32-bit color data.*
- ❑ *Printing with PhotoEnhance4 selected may increase the time required for printing, depending on your computer system and the amount of data contained in your image.*

You can select from the following settings. Click the arrow on the right of the drop-down menu.

Tone

Normal	This setting provides standard image correction for most photos. Try this first.
---------------	--

Hard	This setting provides modulate image correction for your print data.
Vivid	This setting provides chromatic and vivid image correction for your print data.
Sepia	This setting applies a sepia tone to your photos.
Monochrome	This setting applies a black and white tone to your print data.
None	No color adjustment is applied.

Effect

Sharpness	This setting provides enhanced outline to your print data.
Soft-focus	This setting makes your photos look as if they were taken with a soft-focus lens.
Canvas	This setting provides an image correction as if they were drawn on a canvas to your print data.
Parchment	This setting provides an image correction as if they were drawn on a parchment to your print data.
None	No image effect is applied.

Paper Configuration settings

The Paper Configuration settings provide a variety of menus that are applied to printing. Click the Paper Config button to make these settings.

Note:

Paper Configuration settings are available only when using UltraChrome ink.

Mode	Description
Color Density	Adjusts the strength of Color Density. Use a value in the range of -50% to +50%. Drag the scroll bar to the right or left with your mouse to adjust the setting. You can also type a number (-50 to +50) in the box next to the slide bar.

Mode	Description
Drying Time per Print Head Pass	Adjusts the Drying Time per Print Head Pass. Use a value in the range of 0 to +50 (5.0sec), in 0.1sec increments. Drag the scroll bar to the right or left with your mouse to adjust the setting. You can also type a number (0 to +50) in the box next to the slide bar.
Paper Feed Adjustment	Adjusts the amount of Paper Feed Adjustment. Use a value in the range of -70 to +70. The units are 0.01%. Drag the scroll bar to the right or left with your mouse to adjust the setting. You can also type a value (-70 to +70) in the box next to the slide bar. If you adjust the setting, try at least a 6 unit difference from the prior value, to create a visual difference on the sample print.
Paper Thickness	Enter the Paper Thickness value in the range of 0 to +15. You can specify a value in the range of 0 to 1.5mm, in 0.1mm increments.
Paper Suction	Adjusts the Paper Suction value. You can select from Standard (100%), -1(50%), -2(30%), -3(10%) or -4(6%). For thin media, reducing the value will help paper feeding.
Cut Method	From the pop-up menu, select a Cut Method for thin paper. You can select from Standard, Thin Paper or Very Thin Paper.

Adjusting page settings

You can adjust the following settings on the “Paper Menu”.

Orientation	Use this setting to specify the direction of printing on the page: Portrait (vertical), or Landscape (horizontal). If you need to print close to the bottom of the page, click Rotate by 180°.
Printable area	Select Centered to position your printout at equal distances from the edges of the paper. This setting is available only for sheets.

Roll Paper Option

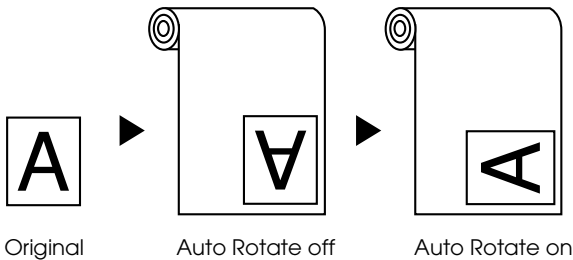
Note:

When Sheet is selected from the Paper Source list, the Roll Paper Settings (Auto Rotate, Paper Width, Auto Cut, and Print Page Line) are not available.

Auto Rotate

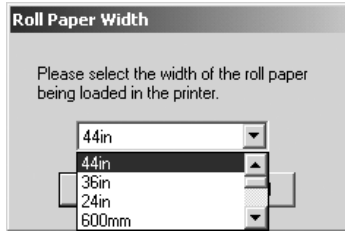
The Auto Rotate function is effective only when the print data length is shorter than the printable width of the roll paper (300, 400, or 600 mm, 12, 14, 20, 22, 24, 36, or 44 inches). The print data will automatically be turned 90 degrees to print crosswise, saving roll paper. This function is not available when Roll Paper (Banner) is selected from the Paper Source list.

Also, when you use this function, you can set the paper width.



To enable Auto Rotate, select the Auto Rotate check box in the Roll Paper Settings box on the “Paper Menu”.

To enable Roll Width, select the Auto Rotate check box. Then click the Roll Width button and select the installed roll paper size.



Auto Cut

When Auto Cut is selected the roll paper will be cut automatically after each print job.

To enable Auto Cut, select the Auto Cut check box in the Roll Paper Settings box on the “Paper Menu”.

Print Page Line

You can specify whether to print a page line on the right side, and also below the document for manual cutting.

To enable Print Page Line, select the Print Page Line check box in the Roll Paper Settings box on the “Paper Menu”.

The Print Page Line operation changes according to the Auto Cut setting as shown.

Auto Cut	Print Page Line	Printer's Operation
Selected	Selected	Prints page line on the right side only, and cuts paper automatically after the print job.
Selected	Not selected	Cuts paper automatically after the print job.
Not selected	Selected	Prints page lines on the right side and below the document.

Not selected	Not selected	Does not print page lines nor cut.
--------------	--------------	------------------------------------

Save Roll Paper

Select this check box when you wish to save roll paper. When this check box is selected, the blank portion of the last page of your document is not fed through the printer. This function is available only when Roll Paper (Banner) is selected from the Paper Source list.

Fitting documents onto the page

You can fit the size of your document to the size of the paper you will print on. Open the “Layout menu” and check the Reduce/Enlarge box to adjust the print size.

Use the Reduce/Enlarge options on the “Layout menu”.

Fit to Page	Proportionally enlarges or reduces the size of your document to make it fit the paper size you select in the Paper Size list in the Reduce/Enlarge box.
Custom	Lets you define the percentage you want to enlarge or reduce an image. Click the arrows next to the Scale box to select a proportion from 10 to 650%.

Selecting this setting proportionally enlarge or reduces the size of the image to make it fit the paper size you selected in the Paper Size list. To use this function, click On and select the paper size you loaded in the printer.

Using the Printer Utilities

EPSON printer utilities allow you to check the current printer status and do some printer maintenance from your screen.

EPSON Status Monitor 3

You use the EPSON Status Monitor 3 utility to check the printer status and the level of ink remaining in each cartridge.

Nozzle Check

To find out if nozzles are delivering ink properly, you can print a nozzle check pattern. If the nozzles are not delivering ink properly, missing dots will be evident in the print pattern. Printer nozzles for six colors can be checked at a time.



Caution:

Before you start printing images, make sure that nozzle check pattern printing is complete. Otherwise, print quality may decline.

Head Cleaning

When printing quality declines, or when clogged nozzles are evident after the nozzle check, the print heads need to be cleaned. Use this utility to perform the head clean, then perform the Nozzle Check again, as repeat head cleaning may be necessary.

Print Head Alignment

Print head alignment is necessary when a misalignment of vertical lines appears in the head alignment test pattern, or when banding is evident in your printouts.

Printer and Option Information

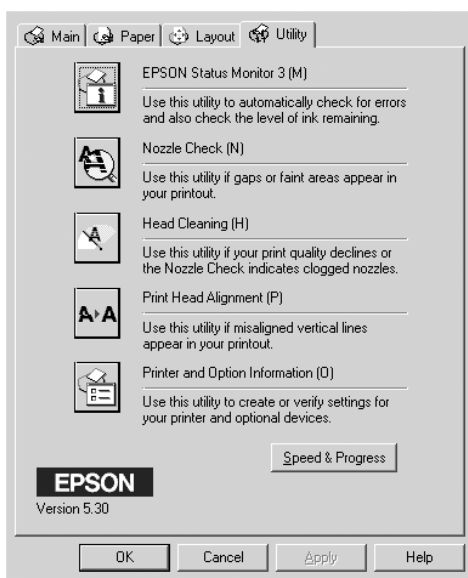
This utility allows the printer driver to confirm printer configuration information. It also provides specific information regarding certain characteristics of the printer, such as Cartridge Option, the Printer ID. See “Using Printer and Option Information”.

Note:

Make sure that the printer is finished printing before performing the Nozzle Check, Head Cleaning, or Print Head Alignment utilities. Otherwise your printout may be marred.

Accessing the printer utilities

By accessing the printer software, the printer driver and utility menus appear in the printer software window. To use the printer utilities, click the Utility tab in the printer software window, then, click the button of the utility you want to use.



Note:

- ❑ *The letter in parentheses after the utility name indicates the shortcut key for that utility. Press ALT and the letter on the keyboard to open that utility.*

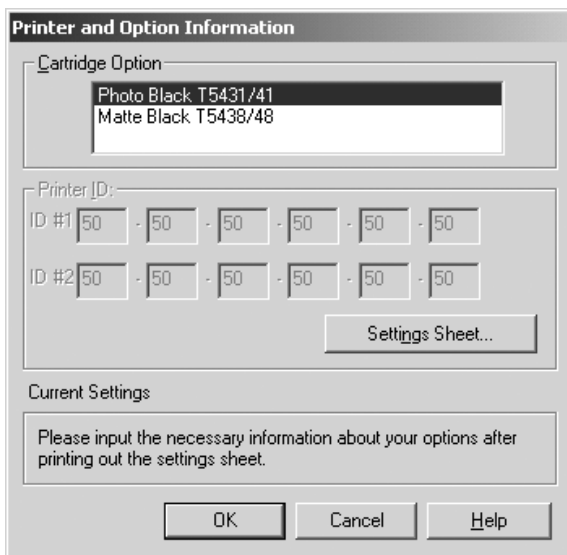
- ❑ While printing is in progress, pressing any of the utility buttons, except the EPSON Status Monitor 3 button, may mar your printouts.

Using Printer and Option Information

Depending on the configuration of your system, the information displayed in the Printer and Option Information dialog box may be updated automatically, or may need to be updated manually.

If a message appears in the Current Settings window prompting you to enter settings, or if you change the printer's configuration, follow the steps below to make the necessary settings manually.

1. In the Cartridge Option box, select the black ink cartridge you have installed in your printer.



2. Load paper in the printer, then click the **Settings Sheet** button in the **Printer and Option Information** dialog box. Information on your printer and options is printed out similar to that below.

Printer ID #1: 50-50-50-50-50-50

Printer ID #2: 50-50-50-50-50-50

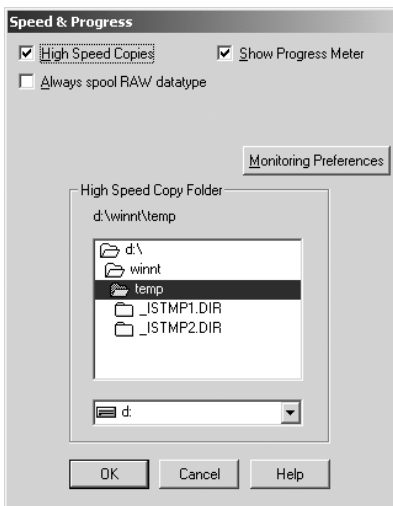
3. Make sure the information in the utility matches the printed information. If not, adjust the information on the screen to match the printed information.
4. Click **OK** to save your settings and exit the menu.

Speed & Progress

You can make settings related to print speed and progress in this dialog box. To enable the **Speed & Progress** button, open the printer software window.

Note:

To enable the Speed & Progress button, click Start, Settings, Printer, right-click your printer icon, Properties, then Utility tab.



The available settings are as follows.

High Speed Copies

To print multiple copies of your document faster, select High Speed Copies.

Show Progress Meter

To monitor the progress of your print job, select Show Progress Meter.

EPSON Printer Port (For Windows Me, 98, and 95 only)

To speed up the data transfer rate to EPSON printers, select EPSON Printer Port.

If your computer supports ECP mode, enable DMA transfer to speed up printing.

For more details, see “Using Speed & Progress”.

Always Spool Raw Datatype (For Windows XP, 2000 and NT only)

Select this check box to have NT-based clients spool documents using the RAW format instead of the EMF (metafile) format. (NT-based applications use the EMF format by default.)

Try using this option if documents spooled in EMF format do not print correctly.

Spooling RAW datatype requires fewer resources than EMF, so some problems (“Insufficient Memory/Disk Space to Print”, “Slow print speed”, etc.) can be solved by selecting the Always spool RAW datatype check box.

When spooling RAW datatype, print progress as displayed by the Progress Meter may differ from actual printing progress.

Monitoring Preferences

Click this button to open the Monitoring Preferences dialog box where you can make settings for EPSON Status Monitor 3. See “Making monitoring preference settings”.

Getting Information Through Online Help

Your printer software has an extensive online help feature, which provides instructions on printing, making printer driver settings, and using printer utilities.

Accessing help

Click the Start button, point to Programs or All Programs, and EPSON or EPSON Printers, then click EPSON Stylus Pro 10600 UC Help (for UltraChrome ink users), EPSON Stylus Pro 10600 CF Help (for ColorFast ink users), or EPSON Stylus Pro 10600 DYE (for dye ink users). You will see the help contents window.

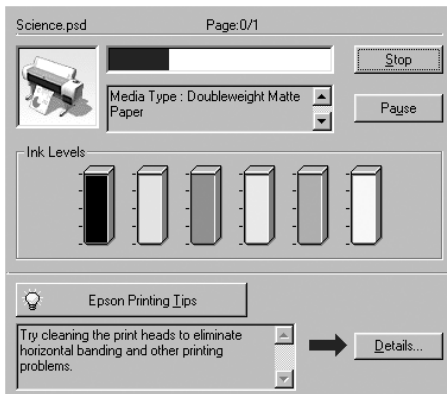
By accessing the printer software, the printer driver and utility menus appear in the printer software window. Click the Help button at the bottom of the Main, Paper, and Utility menus for help related to the items on that menu.

Also you can get specific help related to any item on a menu by right-clicking the item, then clicking the What's This? prompt.

Checking Printer and Print Job Status

Using the Progress Meter

When you send a print job to the printer, the Progress Meter opens, as shown in the illustration below.



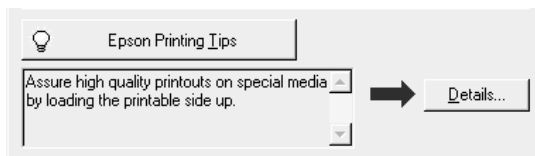
The Progress Meter indicates the progress of the current print job and provides printer status information when bidirectional communication between the printer and computer is established. This meter also displays helpful tips for better printing and error messages, as explained below.

Note:

The Progress Meter does not appear when the Show Progress Meter setting is turned off in the Speed & Progress dialog box. See “Using Speed & Progress” for more information.

EPSON Printing Tips

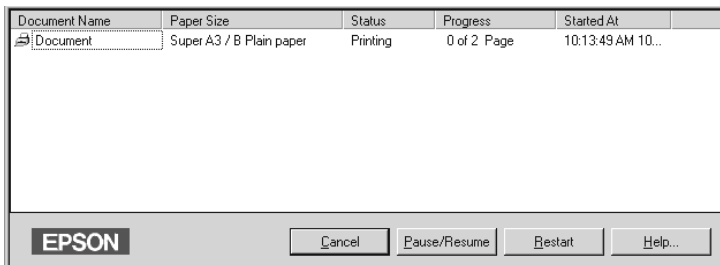
Tips for getting the most out of your EPSON printer driver appear at the bottom of the Progress Meter window. A new tip appears every 30 seconds. For more details on a displayed tip, click the Details button.



Using the EPSON Spool Manager (For Windows Me, 98, and 95 only)

The EPSON Spool Manager is similar to Windows Print Manager. If it receives two or more print jobs at one time, it puts them in a line (or print queue) in the order received. When a print job reaches the top of the line, the EPSON Spool Manager sends the job to the printer.

Click the EPSON Stylus Pro 10600 UC (for UltraChrome ink users), EPSON Stylus Pro 10600 CF (for ColorFast ink users), or EPSON Stylus Pro 10600 DYE (for dye ink users) button after it appears on the taskbar. You can see the status and information on the print jobs in line. You can also cancel, pause and resume, or restart selected print jobs using the Spool Manager.



Using EPSON Status Monitor 3

EPSON Status Monitor 3 displays detailed information on the printer status.

Note:

Before using EPSON Status Monitor 3, be sure to read its README file. To open this file, click Start, point to Programs or All Programs, and EPSON or EPSON Printers, then click EPSON Stylus Pro 10600 UC Readme (for UltraChrome ink users), EPSON Stylus Pro 10600 CF Readme (for ColorFast ink users), or EPSON Stylus Pro 10600 DYE (for dye ink users).

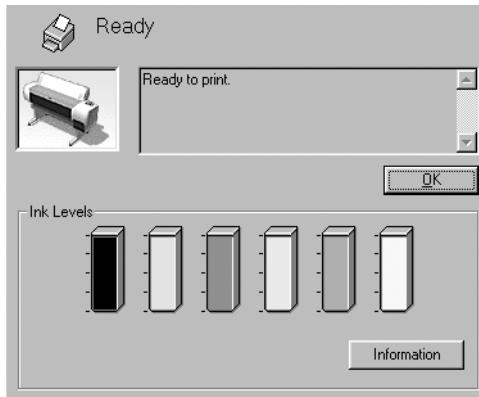
Accessing EPSON Status Monitor 3

There are two ways to access EPSON Status Monitor 3.

- ❑ Double-click the printer-shaped shortcut icon on the Windows taskbar. To add a shortcut icon to the taskbar, see “Making monitoring preference settings”.

- ❑ Open the printer driver, click the Utility tab, then click EPSON Status Monitor 3.

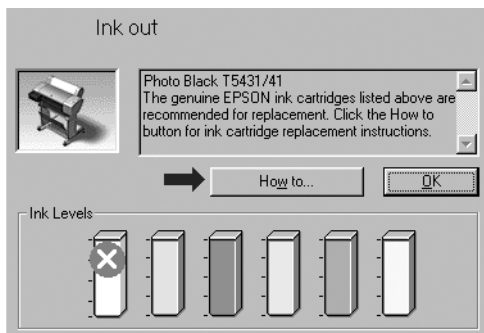
When you access EPSON Status Monitor 3, the following window appears.



Viewing information in EPSON Status Monitor 3

EPSON Status Monitor 3 provides the following information:

- ❑ **Current Status:**
EPSON Status Monitor 3 provides you with detailed printer status information, a graphic display, and status messages. If the ink runs low or out, the HOW to button appears in the EPSON Status Monitor 3 window. Clicking How to displays cartridge replacement instructions.



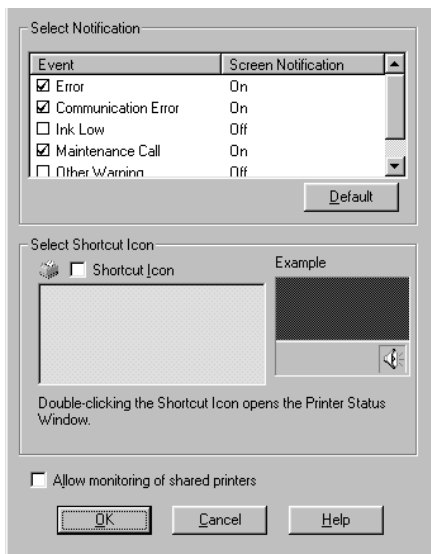
- ❑ **Information:**
EPSON Status Monitor 3 provides a graphic display of the amount of ink remaining.

Making monitoring preference settings

The Monitoring Preference dialog box allows you to specify the monitoring feature of the EPSON Status Monitor 3. Follow the steps below.

1. Open the printer software for your printer as described in “Accessing the Printer Software”.
2. Click the Utility tab, then click the Speed & Progress button. The Speed & Progress dialog box appears.

- Click the Monitoring Preferences button. The Monitoring Preferences dialog box appears.



- Make the following settings.

<p>Select Notification</p>	<p>Displays the current error item notification settings.</p> <p>Select the appropriate check boxes to specify the error types for which you wish to receive notification.</p>
<p>Select Shortcut Icon</p>	<p>Select the Shortcut Icon check box to have a shortcut icon placed in your Windows taskbar. Clicking the shortcut icon in the taskbar will open EPSON Status Monitor 3. To select which icon will be displayed, click the icon you prefer from the choices given; your selection will be shown at the right.</p>
<p>Allow monitoring of shared printers</p>	<p>When this check box is selected, a shared printer can be monitored by other PCs.</p>

Increasing the Print Speed

General tips

Printing color images using higher print quality settings takes longer than printing black-and-white images in standard print quality, as the volume of data in high quality color documents is much greater. For this reason, it is important to be selective in your use of color and print quality settings if you also require a faster print speed.

Even if your document requires the highest print quality and extensive use of color, it may still be possible to optimize the print speed by adjusting other printing conditions. Keep in mind that changing some conditions to increase the print speed may also lower print quality.

The following table shows the factors that inversely affect print speed and print quality (increasing one will decrease the other).

Print quality Print speed		Lower Faster	Higher Slower	Printer driver menu
Printer driver settings	Print Quality	Normal - 360 dpi	SuperFine - 1440 dpi	Advanced dialog box
	High Speed	On	Off	
Data characteristics	Image size	Small	Large	-
	Resolution	Low	High	

The table below shows the factors related to print speed only.

Print speed		Faster	Slower	Printer driver menu
Printer driver settings	Ink	Black	Color	Advanced dialog box, Main menu
	Flip Horizontal*	Off	On	Advanced dialog box
Data characteristics	Variety of colors	Grayscale	Full color	-
Hardware resources	System speed	Fast	Slow	-
	HDD free space	Large	Small	
	Memory free space	Large	Small	
Software status	Running applications	One	Many	-
	Virtual memory	Not in use	In use	

* Varies depending on the printer driver and application you are using.

Using Speed & Progress

You can make certain print speed settings in the Speed & Progress dialog box. To access this dialog box, click Speed & Progress on your printer software's Utility menu.

High Speed Copies

Prints multiple copies of your document faster.

Show Progress Meter

Displays printing progress while printing.

EPSON Printer Port (For Windows Me, 98, and 95 only)

Speeds up the data transfer rate to EPSON printers.

Enable DMA transfer (For Windows Me, 98, and 95 only)

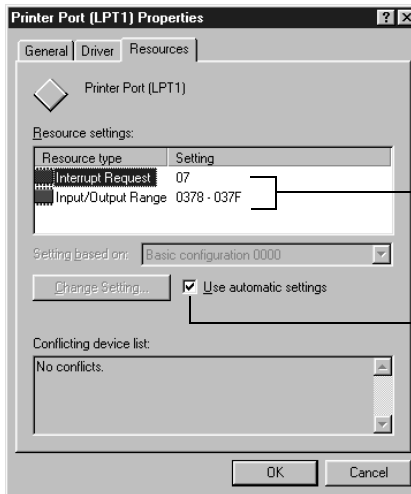
If your computer has a parallel port which supports ECP mode, you can enable DMA transfer to help speed up printing. See your computer manual to determine if you have ECP support and DMA transfer.

To determine whether you need to enable DMA transfer, compare the message below the EPSON Printer Port setting to this table, and take the recommended action.

Message	Action
High Speed (DMA) Transfer enabled.	DMA transfer is already enabled. Click OK to close the dialog box.
For higher data transfer rates, use DMA Transfer.	Follow the steps below this table to enable DMA transfer.
(No message)	Your system's parallel port setting does not allow DMA transfer. However, if you change the parallel port setting to ECP or enhance using your computer's BIOS Setup program, you may be able to use DMA transfer. Consult your computer manual or computer maker for instructions. Once you change the parallel port setting, follow the steps below this table to enable DMA transfer. Note: Before you run the BIOS Setup program, uninstall the printer driver using Add/Remove Programs in the Control Panel. After running the BIOS Setup program, reinstall the printer driver.

If you need to enable DMA transfer, follow these steps.

1. Double-click the My Computer icon and double-click the Control Panel.
2. Double-click the System icon and click the Device Manager tab.
3. Double-click the Ports (COM & LPT) icon and double-click LPT1. If you have connected your printer to a port other than LPT1, double-click the appropriate port icon.
4. Click the Resources tab and select the Use automatic settings check box to deselect the Automatic Setting. Write down the Input/Output Range settings shown in the Resource settings box.



Write down these settings

Click here to clear the check box

5. Select a basic configuration setting from the Setting based on list that uses the same Input/Output Range settings as those you wrote down in step 4, and make sure the Direct Memory Access channel and Interrupt Request numbers are allocated and displayed. Confirm also that the Conflicting device list box shows No conflicts.

6. Click OK to save the settings.
7. Reopen the Speed & Progress dialog box to verify whether DMA transfer has been enabled.

Note:

You may not be able to use DMA transfer on some computers even after you make the settings explained above. Consult your computer manufacturer for information on the DMA transfer capability of your computer.

Port Configuration (Windows NT 4.0 only)

Note:

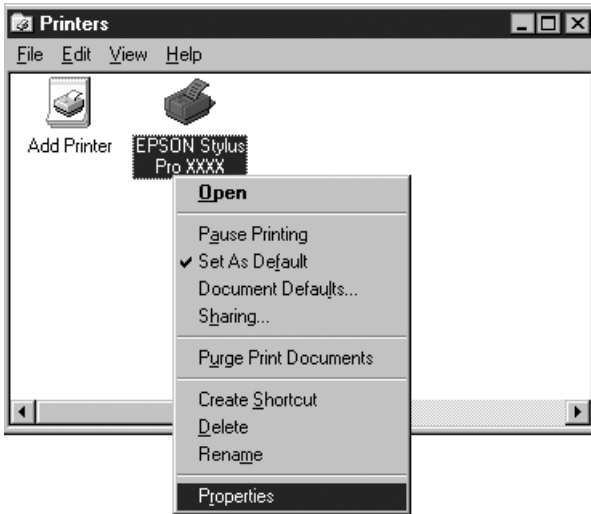
Port settings for Windows NT 4.0 are complicated and should only be made by an experienced person with administrative privilege.

If your computer has a parallel port which supports ECP mode, you can make certain print speed settings in the Port Configuration dialog box. Before making settings, make sure that the ECP mode has been selected in your computer settings. For details about ECP mode, see your computer manual.

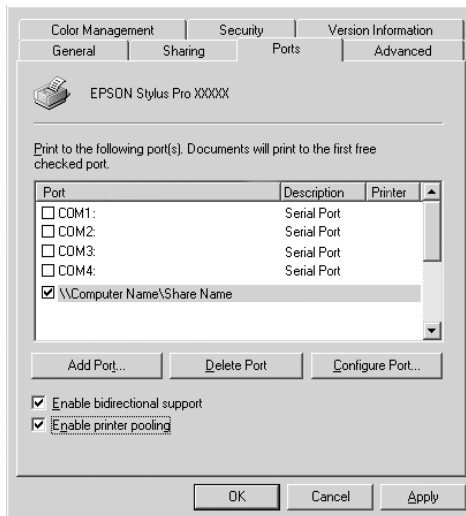
To access the Port Configuration dialog box, follow the steps below.

1. Double-click the My Computer icon, double-click the Printer icon.

2. Right-click your printer icon, and select Properties.



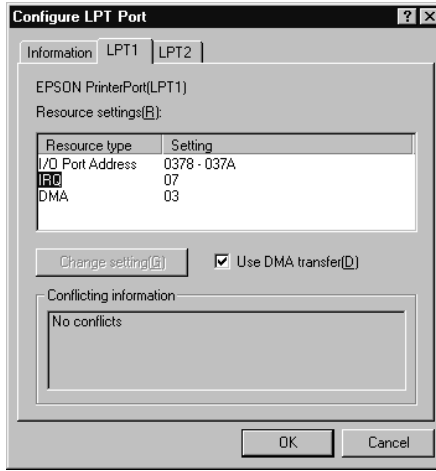
3. Click the Port tab, then click the Configure Port button.



- Click the LPT port tab for the port to which your printer is connected, then click the Port Configuration button.

Note:

If your printer is connected to LPT1, only the LPT1 tab is available.



- Click OK.

Resources settings (IRQ and DMA)

If you have connected your printer to LPT2 or LPT3, making IRQ and DMA settings here may help you speed up printing. Input the same configuration numbers for IRQ and DMA which you have made with your expansion board. See your computer manual to determine the settings for IRQ and DMA.

Use DMA transfer

Using DMA transfer to send print data to the computer may help you speed up printing. If the Use DMA Transfer check box appears dimmed, you first need to enable DMA transfer in your computer settings. For details, see your computer manual.

Setting Up Your Printer on a Network

This section tells you how to set up your printer so that other computers on a network can use it.

First, you need to set up the printer as a shared printer on the computer to which the printer is connected. Then, you must signify the network path to the printer from each computer to use the printer, and install the printer software on those computers.

Note:

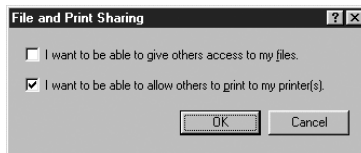
This section describes how to use your printer as a shared printer on a network. To connect your printer directly to a network without setting it up as a shared printer, consult your network administrator.

For Windows Me, 98, 95

Setting up your printer as a shared printer

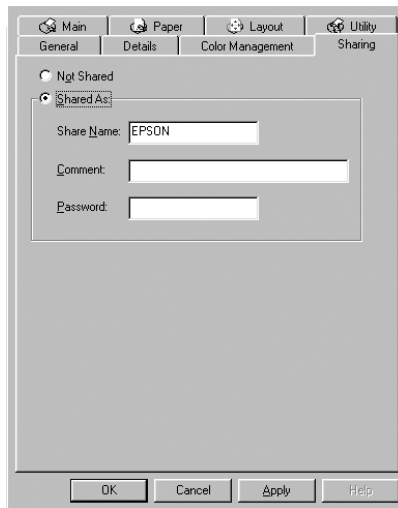
Follow these steps to share a printer connected directly to your computer with other computers on a network:

1. Click Start, point to Settings, then click Control Panel.
2. Double-click Network.
3. Click File and Print Sharing button.
4. Click the I want to be able to allow others to print to my printer(s) check box and click OK.



5. In the Network window, click OK.
6. In the Control Panel, double-click Printers.

Note:
 - ❑ *If a dialog box requesting the Windows Me, 98 or 95 CD-ROM appears, insert the CD-ROM in the CD-ROM drive, then follow the messages on the screen.*
 - ❑ *If a dialog box appears requesting you to restart your computer, do so. Then open the Printer folder, and continue from step 7.*
7. Select your printer, and choose Sharing from the File menu.
8. Click Shared As radio button, enter the printer information as needed, then click OK.



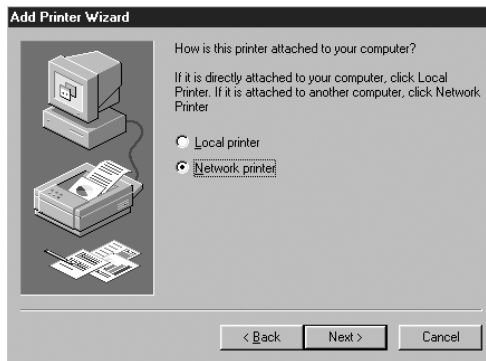
Accessing the printer through a network

To access your printer from another computer on a network, follow these steps.

Note:

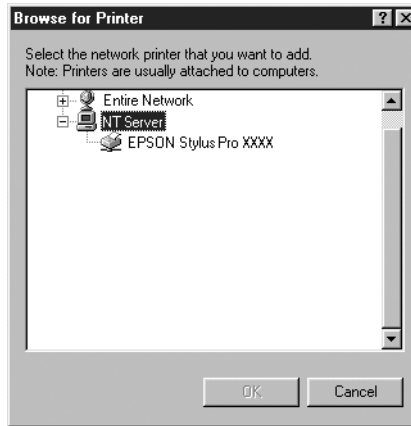
Your printer must be setup as a shared resource on the computer to which it is directly connected before you can access it from another computer.

1. On the computer you want to access the printer from, click Start, point to Settings, and click Printers.
2. Double-click the Add Printer icon.
3. The Add Printer Wizard screen appears. Click Next.
4. Click Network printer, then click Next.



5. Click Browse.

6. Double-click the icon of the computer that is directly connected to the printer. Then click the printer's icon.



7. Click OK and follow the messages on the screen.

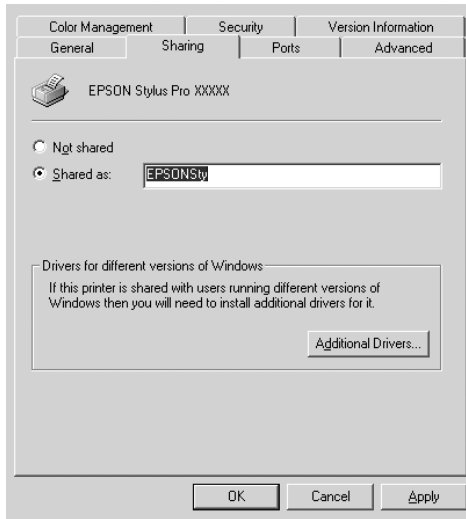
For Windows 2000 and NT 4.0

Setting up your printer as a shared printer

Follow these steps to share a printer that is connected directly to your computer with others on a network.

1. Click Start, point to Settings, and click Printers.
2. Select your printer, then click Sharing on the File menu.

3. Click the Shared radio button and enter the Share Name.



4. Click OK.

Note:

Do not choose any drivers from the Alternate Drivers list.

Accessing the printer through a network

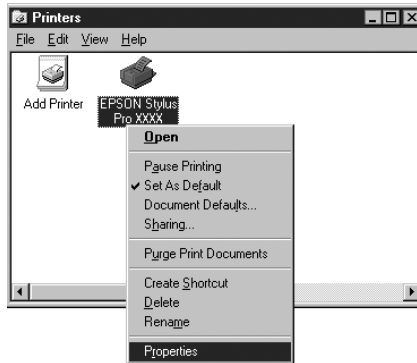
To access your printer from another computer on a network, follow these steps.

Note:

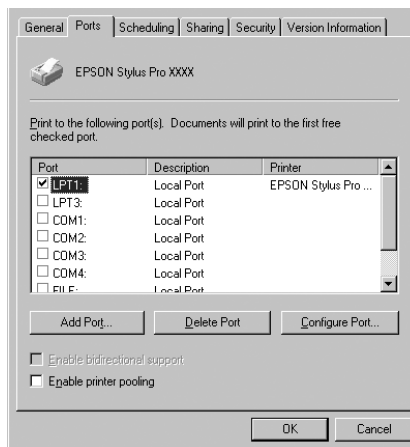
Your printer must be set up as a shared resource on the computer to which it is directly connected before you can access it from another computer.

1. Install the printer driver to the client computer from the software CD-ROM.

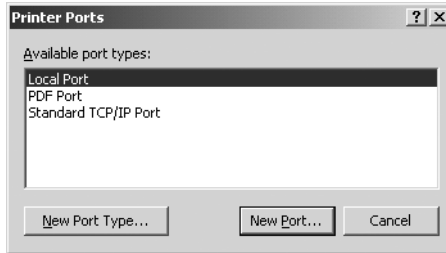
- Open the Printer folder from the Control Panel, right-click your printer's icon, then open the Properties for your printer.



- Click the Ports tab, then click Add Port.



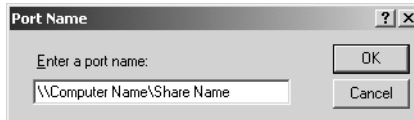
4. The following dialog appears. Select Local Port, then click New Port.



5. The following dialog appears. In the text box, type the following information:

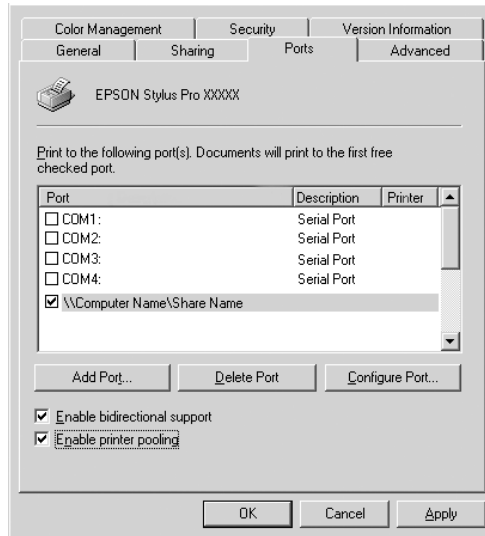
\\name of computer that is connected to the printer\name of the shared printer

Then click OK.



6. In the Printer Ports dialog box, click Close to return to the Ports menu.

7. On the Ports menu, make sure that the new port is added and the check box is selected. Click OK to close the printer driver.



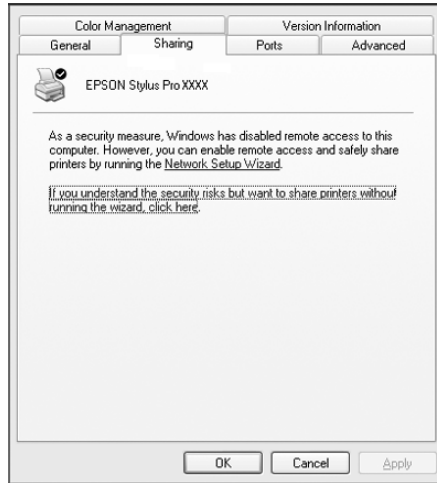
For Windows XP

Setting up your printer as a shared printer

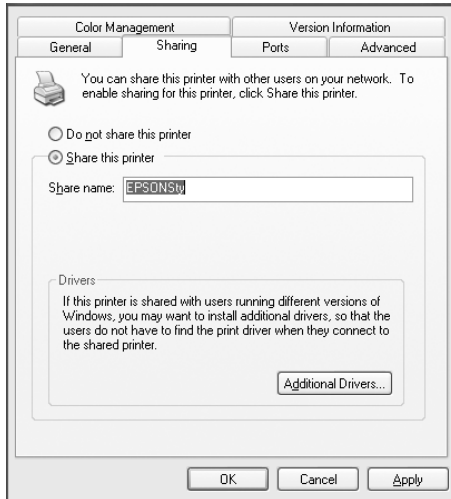
Follow these steps to share a printer that is connected directly to your computer with others on a network.

1. Click Start, and then Printers and Faxes.

2. Right-click your printer icon, and click Sharing in the menu that appears. If the following menu appears, click Network Setup Wizard or If you understand the security risks but want to share printers without running the wizard, click here, and follow the on-screen instruction.



3. Select Share this printer, then type the name in the Share name box.



4. Click OK.

Note:

Do not choose any drivers from the Additional Drivers list.

Accessing the printer through a network

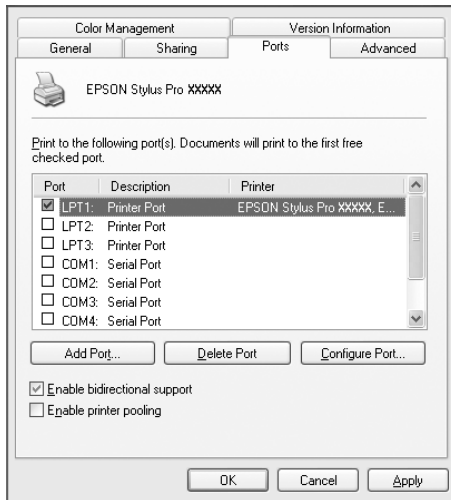
To access your printer from another computer on a network, follow these steps.

Note:

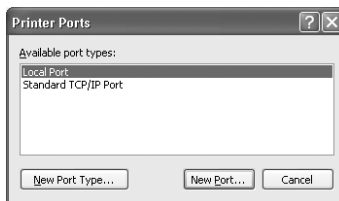
Your printer must be set up as a shared resource on the computer to which it is directly connected before you can access it from another computer.

1. Install the printer driver to the client computer from the software CD-ROM.

2. Click Start and open Printers and Faxes, right-click your printer's icon, then open the Properties for your printer.
3. Click the Ports tab, and click Add Port.



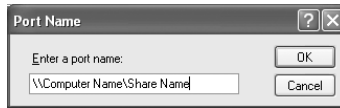
4. The following dialog appears. Select Local Port, then click New Port.



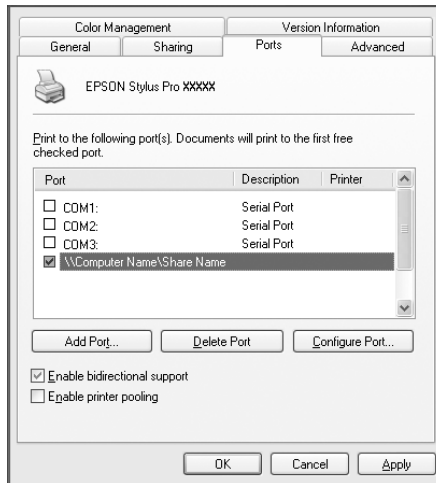
5. The following dialog appears. In the text box, type the following information:)

\\name of computer that is connected to the printer \name of the shared printer

Then click OK.



6. Close the Printer Ports dialog box to return to the Ports menu.
7. On the Ports menu, make sure that the new port is added and the check box is selected. Click OK to close the Properties.



Updating to Windows Me

If you have upgraded your computer's operating system from Windows 95 or 98 to Windows Me, you must uninstall your printer software and then install it again. Uninstall the printer software by double-clicking the Add/Remove Programs icon in the Windows Control Panel and selecting EPSON Printer Software from the list. Click the Add/Remove button and then OK in the dialog box that appears. Then, install the printer software again.

Updating the Driver in Windows XP, Windows 2000, and Windows NT 4.0

When you update the printer driver in Windows XP, Windows 2000, and Windows NT 4.0, please be sure to uninstall the previous printer driver before you install the new driver. Installing over the existing printer driver results in a failure to update. To uninstall the printer driver, double-click the Add/Remove Programs icon in the Windows Control Panel. The Change/Remove Programs properties dialog box appears. Select EPSON Printer Software from the list, click Change/Remove (Windows XP and 2000) or Add/Remove (Windows NT 4.0), and then OK. Then, install the printer software again.

Uninstalling the Printer Software

Follow the instructions below to uninstall the EPSON printer driver and utilities for Windows.

1. Double-click the My Computer (for Windows Me, 98, 95, 2000, and NT 4.0) or click Start (for Windows XP), then double-click the Control Panel.
2. Double-click Add/Remove Programs (for Windows Me, 98, 95, 2000, and NT 4.0) or Add or Remove Programs (for Windows XP).
3. Select EPSON Printer Software to uninstall the printer driver, from the software list. Click Change/Remove (Windows XP and 2000) or Add/Remove (Windows Me, 98, 95, and NT 4.0). If you are uninstalling printer software, a dialog box appears and you need to select the printer icon for the driver you want to uninstall.
4. Follow the instructions on the screen to uninstall the software.

Uninstalling the USB Host Device Driver (Windows Me and 98 only)

Follow the instructions below to uninstall the USB Host Device Driver for Windows Me and 98.

Note:

This function activates only when you are using a USB conversion cable.

1. Double-click the My computer icon, then double-click the Control Panel.
2. Double-click Add/Remove Programs.
3. Select the EPSON USB Printer Devices to uninstall the USB Host Device Driver from the software list. Then click Add/Remove.
4. Follow the instructions on the screen to uninstall the software.

Printing with Macintosh

Accessing the Printer Software

To access the printer software installed in your computer, follow the instructions below.

Print dialog box

Click Print on the File menu of your application or click Options in the Page Setup dialog box.

Page Setup dialog box

Click Page Setup on the File menu of your application.

Basic Settings

Making the printer driver settings

To make the printer driver settings, follow the steps below.

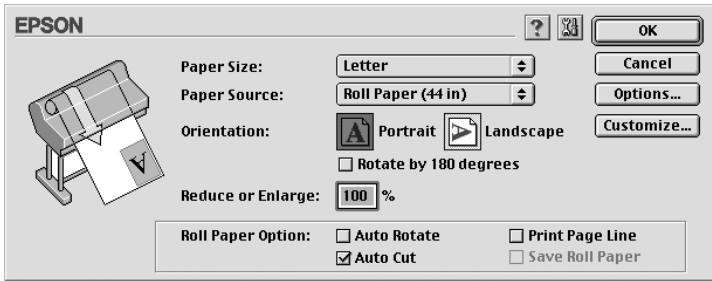
For details about the printer software, see online help by pressing the Help (marked with "?") icon button in the driver setting dialog boxes.

Note:

While many Macintosh applications override the settings made in the printer driver, some do not, so you must verify the settings to get the results you expect.

1. Choose Page Setup from the File menu. This brings up the Page Setup dialog box shown below.

Page Setup dialog box



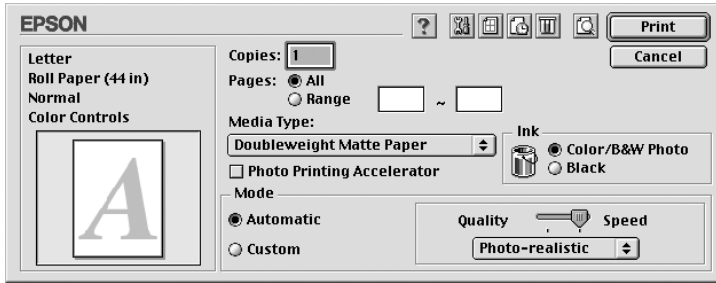
2. Select the paper size you loaded in the printer from the Paper Size list.
3. Select the type of paper you loaded in the printer from the Paper Source list.
4. Make settings for Orientation and Reduce or Enlarge as required.
5. When roll paper is used, set the “Roll Paper Option” as required.
6. After making your settings, click the OK button to close the Page Setup dialog box.

Note:

You cannot print from the Page Setup dialog box. You can only print from the Print dialog box.

7. Choose Print from the File menu. The Print dialog box appears as shown below.

Print dialog box



Note:

You can also open the Print dialog box by pressing the Options button in the "Page Setup dialog box".

8. Make the settings for Copies and Pages.
9. Select the media you loaded in the printer from the Media Type list.

Note:

The Media Type setting determines what other settings are available, so you should always make this setting first.

10. In the Ink box, if you use UltraChrome ink, select Color/B&W Photo to print color or monotone photos, or Black to print a draft or black text only. If you use ColorFast or dye ink, select Color to print in color, or Black to print in black and white.
11. Make sure the Mode option is set to Automatic.

Note:

When Automatic is selected, the printer driver takes controls of all detailed settings based on the current Media Type setting and Ink settings.

12. Adjust Speed and Quality in the Mode box if a slider appears. Drag the slide left or right depending on which is more important. This setting is usually automatically decided in accordance with your Media Type setting.

Note:

Depending on the Media Type you choose, a slider appears in the Mode box.

13. Click the Print button to start printing.

Canceling printing

To cancel the printing in progress, follow the instructions below.




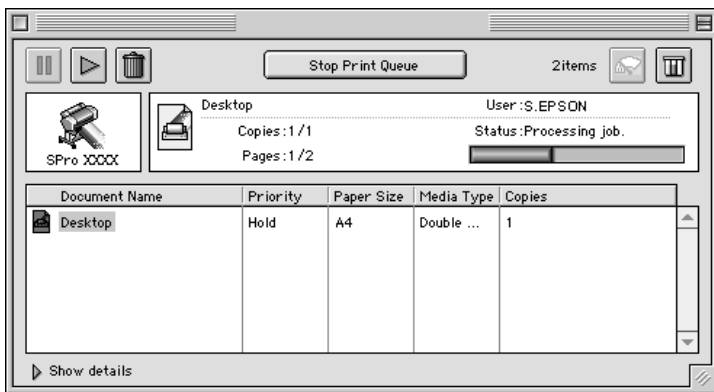
Caution:

When you stop printing in progress, you may need to start printing again from the beginning for best result. Otherwise misalignment or banding may appear on the printed image.

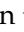
When background printing is on

1. Press the Power button to turn off the printer.
2. Select EPSON Monitor3 from the application menu at the right end of the menu bar. The EPSON Monitor3 dialog opens.

3. Click the document name which is in print process on the screen, then click the  stop button to cancel the print job.



When background printing is off

1. Press the Power button to turn off the printer.
2. Hold down the  key on your keyboard and press the [.] period key to cancel the print job.

Using the Printer Driver

The printer driver software allows the computer to control the printer according to the settings you make for your printing requirements.

Making the Media Type setting

The Media Type setting determines what other settings are available, so you should always make this setting first.

On the “Print dialog box”, select the Media Type setting that matches the paper loaded in the printer. Find your paper in the list below, then select a corresponding Media Type setting. For some kinds of paper, you have several Media Type settings to choose from.

Note:

- The availability of special media varies by country.*
- When you are using paper other than EPSON special media, see “Notes for Special Media and Other Media”.*

For UltraChrome ink:

Media Type setting	EPSON Special Media Name/Description
Doubleweight Matte Paper	EPSON Doubleweight Matte Paper
Enhanced Matte Paper	EPSON Enhanced Matte Paper EPSON Archival Matte Paper
Glossy Paper - Photo Weight	EPSON Glossy Paper - Photo Weight
Premium Glossy Photo Paper	EPSON Premium Glossy Photo Paper
Premium Semigloss Photo Paper	EPSON Premium Semigloss Photo Paper
Premium Luster Photo Paper	EPSON Premium Luster Photo Paper
Photo Glossy Paper	EPSON Photo Glossy Paper EPSON Photo Grade Glossy Paper
Photo Semigloss Paper	EPSON Photo Semigloss Paper EPSON Photo Grade Semigloss Paper
Premium Glossy Photo Paper (250)	EPSON Premium Glossy Photo Paper (250)
Premium Semigloss Photo Paper (250)	EPSON Semigloss Photo Paper (250)
Premium Semimatte Photo Paper (250)	EPSON Semimatte Photo Paper (250)
Smooth Fine Art Paper (Roll)	EPSON Smooth Fine Art Paper
Smooth Fine Art Paper (Sheet)	EPSON Smooth Fine Art Paper
Textured Fine Art Paper (Roll)	EPSON Textured Fine Art Paper
Textured Fine Art Paper (Sheet)	EPSON Textured Fine Art Paper
Canvas	EPSON Canvas
Backlight Film	EPSON Backlight Film
Enhanced Synthetic Paper	EPSON Enhanced Synthetic Paper
Enhanced Adhesive Synthetic Paper	EPSON Adhesive Synthetic Paper

Plain Paper	-
Enhanced Matte - Poster Board	EPSON Enhanced Matte Poster Board

For ColorFast ink:

Media Type setting	EPSON Special Media Name/Description
Plain Paper	-
Doubleweight Matte Paper	EPSON Doubleweight Matte Paper
Glossy Paper - Photo Weight	EPSON Glossy Paper - Photo Weight
Premium Glossy Photo Paper	EPSON Premium Glossy Photo Paper EPSON Premium Glossy Photo Paper (250)
Premium Semigloss Photo Paper	EPSON Premium Semigloss Photo Paper EPSON Premium Semigloss Photo Paper (250)
Photo Glossy Paper	EPSON Photo Glossy Paper EPSON Photo Grade Glossy Paper
Photo Semigloss Paper	EPSON Photo Semigloss Paper EPSON Photo Grade Semigloss Paper
Premium Luster Photo Paper	EPSON Premium Semimatte Photo Paper EPSON Premium Luster Photo Paper
Watercolor Paper - Radiant White	EPSON Watercolor Paper - Radiant White
Smooth Fine Art Paper (Roll)	EPSON Smooth Fine Art Paper
Smooth Fine Art Paper (Sheet)	EPSON Smooth Fine Art Paper
Textured Fine Art Paper (Roll)	EPSON Textured Fine Art Paper
Textured Fine Art Paper (Sheet)	EPSON Textured Fine Art Paper
Glossy Film	EPSON Glossy Film
Synthetic Paper	EPSON Synthetic Paper
Adhesive Synthetic Paper	EPSON Adhesive Synthetic paper
Heavyweight Polyester Banner	EPSON Heavyweight Polyester Banner

Adhesive Vinyl	EPSON Adhesive Vinyl
Tyvek Brillion	EPSON Tyvek® Brillion™
Backlight Film	EPSON Backlight Film
Canvas	EPSON Canvas
Media - 1	EPSON Enhanced Synthetic Paper
Media - 2	EPSON Enhanced Adhesive Synthetic Paper
Media - 3	EPSON Adhesive Vinyl EPSON Tyvek® Brillion™ *Select this setting when printing on these media in high ink duty mode.
High Duty Media - 1	High ink duty media (Maximum 160% ink duty mode) *Select this setting when printing on high ink absorbing media. This is recommended for POP.
High Duty Media - 2	High ink duty media (Maximum 200% ink duty mode) *Select this setting when printing on high ink absorbing media. This is recommended for POP.

For Dye ink:

Media Type setting	EPSON Special Media Name/Description
Plain Paper	-
Presentation Matte Paper	EPSON Presentation Matte Paper
Photo Paper	EPSON Photo Paper EPSON Glossy Photo Paper
Semigloss Photo Paper	EPSON Semigloss Photo Paper EPSON Semi Gloss Paper - Heavy Weight
Photo Glossy Paper	EPSON Photo Glossy Paper EPSON Photo Grade Glossy Paper
Photo Semigloss Paper	EPSON Photo Semigloss Paper EPSON Photo Grade Semigloss Paper
Premium Luster Photo Paper	EPSON Premium Luster Photo Paper EPSON Premium Semimatte Photo Paper (250)
Glossy Film	EPSON Glossy Film EPSON Photo Quality Glossy Film
Photo Quality Ink Jet Paper	EPSON Photo Quality Ink Jet Paper EPSON Backlight Film EPSON Polyester Banner EPSON Doubleweight Matte Paper
Heavyweight Polyester Banner	EPSON Heavyweight Polyester Banner
ColorLife Photo Paper Semigloss	EPSON ColorLife™ Photo Paper Semigloss (Roll) EPSON ColorLife™ Photo Paper (Sheet)

Using the Automatic and Custom modes

These modes on the “Print dialog box” are arranged to give you

two levels of control over the printer driver, as explained below.

"Automatic mode"	The quickest and easiest way to start printing.
"Custom mode"	Corrects color and enhances photos. Useful for low resolution images. Choose from a list of ready-made settings suited to the kind of document you want to print. You can also add your own settings to this list.

In addition to making groups of settings that affect the overall print quality, you can also modify individual aspects of the print style and layout using the Page Setup and Layout dialog boxes. See "Adjusting page settings".

Automatic mode

When Automatic is selected on the "Print dialog box", the printer driver takes care of all detailed settings based on the current Media Type and Ink settings. To make the Ink setting, click Color/B&W Photo to print color or monotone photo, or Black to print a draft or black text only if you use UltraChrome ink. If you use ColorFast or dye ink, click Color to print in color, or Black to print in black and white. To make the Media Type setting, see "Making the Media Type setting".

Note:

- ❑ *Depending on your print data, choose either Photo-realistic or Vivid from the pull down menu in the Mode box, so that you can get better results.*
- ❑ *Depending on the media you choose in the Media Type list while Automatic is selected, a slider appears in the Mode box that lets you choose Quality or Speed. Select Quality when print quality is more important than speed.*

Custom mode

The Custom mode on the “Print dialog box” lets you make a wide range of changes with a single click of the mouse. In the Custom Settings list, you’ll find ready-made settings provided by EPSON. They are designed to match particular kinds of printouts, such as graphs and charts for a presentation.

You can also create your own settings and add them to this list. See “Advanced setting”.

The Custom Settings list includes the following ready-made settings:

Text/Graph	Good for printing presentation documents such as graphs and charts.
ColorSync	This setting automatically adjusts printout colors to match colors on your screen.
Advanced Photo	Good for printing scanned photos and digitally-captured images in high quality. Also helps prevent the misprinting of ink dots that may occur due to the movement of the print heads and paper.

Follow the steps below to select a Custom setting.

1. Click the Custom button on the “Print dialog box”.
2. From the Custom Settings list, select the most appropriate setting for the type of document or image you will print.
3. When you choose a Custom mode, other settings such as Print Quality and Color Adjustment are set automatically. Changes are shown in the Current Settings display on the right side of the Print dialog box.
4. Before printing, be sure to verify the Media Type and Ink settings, as they may be affected by the Custom setting you select. See “Making the Media Type setting”.

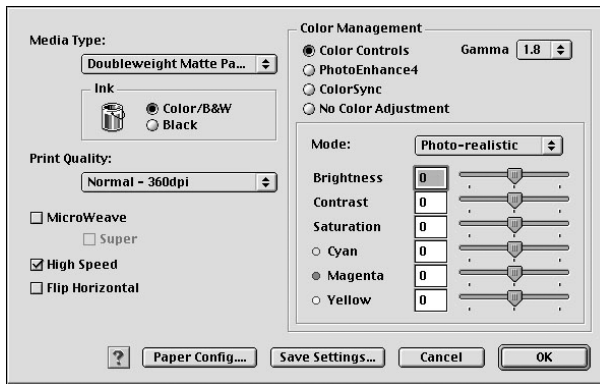
Advanced setting

The Advanced setting give you complete control over your printing environment. Use these settings to experiment with new printing ideas, or to fine-tune a range of print settings to meet your individual needs. Once you are satisfied with your new settings, you can give them a name and add them to the Custom Settings list.

Follow the instructions below to make and save Advanced settings.

1. Click the Custom button on the “Print dialog box” and then click Advanced. The following dialog box appears:

Advanced dialog box



2. Select the Media Type loaded in the printer. For details, see “Making the Media Type setting”.
3. If you use UltraChrome ink, choose Color/B&W to print color or monotone photos, or Black to print a draft or black text only. If you use ColorFast or dye ink, choose COLOR to print in color, or BLACK to print in black and white.
4. Select a Print Quality setting.

5. Make Paper Configuration settings as needed. For details, see “Paper Configuration settings”.

Note:

Paper Configuration settings are available only when using UltraChrome ink.

6. Make other settings as needed. For details, see online help.

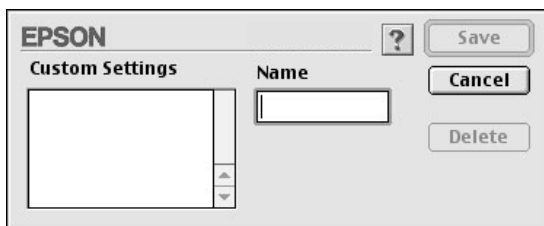
Note:

Some settings are enabled or disabled depending on the Media Type, Ink, and Print Quality settings you make.

If you check the photo printing accelerator, you cannot choose Automatic in Mode.

7. Click OK to apply your settings and return to the Print dialog box. If you want to return to the previous screen without applying your settings, click Cancel.

To save your Advanced settings, click Save Settings in the Advanced settings dialog box. The Custom Settings dialog box appears:



Type a unique name (up to 16 characters) for your settings in the Name box, and click the SAVE button. Your settings will be added to the Custom Settings list.

You can save up to 100 groups of settings. You can select your saved group of settings from the settings list in the “Print dialog box”.

Note:

- The names of the ready-made settings provided by EPSON cannot be applied to your new settings.*
- To delete a setting, select the setting in the Custom Settings dialog box and click Delete.*
- You cannot delete ready-made settings from the Custom Settings list.*

When you select your saved settings in the Custom Settings list, be aware that making new settings, for example Media Type and Ink settings, may change your custom settings. This may cause unexpected results in your printout. If this happens, reselect your saved settings and try printing again.

PhotoEnhance mode

The PhotoEnhance settings provide a variety of image-correction settings that you can apply to your photo images before printing. PhotoEnhance does not affect your original data. Click PhotoEnhance4 radio button in the “Advanced dialog box”.

Selecting PhotoEnhance4 also enables the Digital Camera Correction check box. Select this check box when you are printing photos taken with a digital camera to give your printed images the smooth, natural appearance of photographs taken with a film camera.

Note:

- This mode is available only when 16-, 24-, or 32-bit color data.*
- This mode is available only when 32-bit color is selected as your monitor display setting for Macintosh.*

- ❑ *Printing with PhotoEnhance4 selected may increase the time required for printing, depending on your computer system and the amount of data contained in your image.*

You can select from the following settings. Click the arrow on the right of the drop-down menu.

Tone

Normal	This setting provides standard image correction for most photos. Try this first.
Hard	This setting provides modulate image correction for your print data.
Vivid	This setting provides chromatic and vivid image correction for your print data.
Sepia	This setting applies a sepia tone to your photos.
Monochrome	This setting applies a black and white tone to your print data.
None	No color adjustment is applied.

Effect

Sharpness	This setting provides enhanced outline to your print data.
Soft-focus	This setting makes your photos look as if they were taken with a soft-focus lens.
Canvas	This setting provides an image correction as if they were drawn on a canvas to your print data.
Parchment	This setting provides an image correction as if they were drawn on a parchment to your print data.
None	No image effect is applied.

Paper Configuration settings

The Paper Configuration settings provide a variety of menus that are applied to printing. Click the Paper Config button to make these settings.

Note:

Paper Configuration settings are available only when using UltraChrome ink.

Mode	Description
Color Density	Adjusts the strength of Color Density. Use a value in the range of -50% to +50%. Drag the scroll bar to the right or left with your mouse to adjust the setting. You can also type a number (-50 to +50) in the box next to the slide bar.
Drying Time per Print Head Pass	Adjusts the Drying Time per Print Head Pass. Use a value in the range of 0 to +50 (5.0sec), in 0.1sec increments. Drag the scroll bar to the right or left with your mouse to adjust the setting. You can also type a number (0 to +50) in the box next to the slide bar.
Paper Feed Adjustment	Adjusts the amount of Paper Feed Adjustment. Use a value in the range of -70 to +70. The units are 0.01%. Drag the scroll bar to the right or left with your mouse to adjust the setting. You can also type a value (-70 to +70) in the box next to the slide bar. If you adjust the setting, try at least a 6 unit difference from the prior value, to create a visual difference on the sample print.
Paper Thickness	Enter the Paper Thickness value in the range of 0 to +15. You can specify a value in the range of 0 to 1.5mm, in 0.1mm increments.
Paper Suction	Adjusts the Paper Suction value. You can select from Standard (100%), -1(50%), -2(30%), -3(10%) or -4(6%). For thin media, reducing the value will help paper feeding.
Cut Method	From the pop-up menu, select a Cut Method for thin paper. You can select from Standard, Thin Paper or Very Thin Paper.

Adjusting page settings

You can adjust the followings in the “Page Setup dialog box”.

Orientation

Use this setting to specify the direction of printing on the page: Portrait (vertical), or Landscape (horizontal). If you need to print close to the bottom of the page, click Rotate by 180°.

Reduce or Enlarge

Lets you define the percentage you want to enlarge or reduce on image. Make setting from 25 to 400%. This setting is available only for sheets.

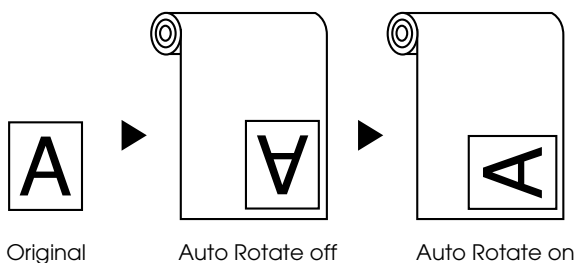
Roll Paper Option

Note:

When Sheet is selected from the Paper Source list, the Roll Paper Settings (Auto Rotate, Auto Cut, and Print Page Line) are not available.

Auto Rotate

The Auto Rotate function is effective only when the print data length is shorter than the printable width of the roll paper (300, 400, or 600 mm, 12, 14, 20, 22, 24, 36, or 44 inches). The print data will automatically be turned 90 degrees to print crosswise, saving roll paper. This function is not available when Roll Paper (Banner) is selected from the Paper Source list.



To enable Auto Rotate, select the Auto Rotate check box in the “Page Setup dialog box”.

Auto Cut

When Auto Cut is selected the roll paper will be cut automatically after each print job.

To enable Auto Cut, select the Auto Cut check box in the “Page Setup dialog box”.

Print Page Line

You can specify whether to print a page line on the right side, and also below the document for manual cutting.

To enable Print Page Line, select the Print Page Line check box in the “Page Setup dialog box”.

The Print Page Line operation changes according to the Auto Cut setting as shown.

Auto Cut	Print Page Line	Printer's Operation
Selected	Selected	Prints page line on the right side only, and cuts paper automatically after the print job.
Selected	Not selected	Cuts paper automatically after the print job.
Not selected	Selected	Prints page lines on the right side and below the document.
Not selected	Not selected	Does not print page lines nor cut.

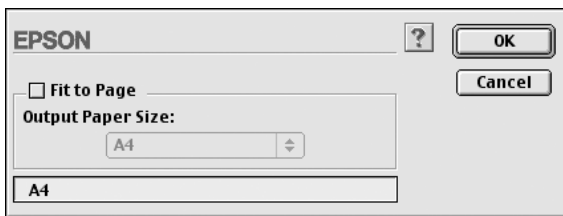
Save Roll Paper

Select this check box when you wish to save roll paper. When this check box is selected, the blank portion of the last page of your document is not fed through the printer. This function is available only when Roll Paper (Banner) is selected from the Paper Source list.

Fitting documents onto the page

You can fit the size of your document to the size of the paper you will print on. Open the Layout dialog box and check the Layout dialog box to adjust the print size.

To open the Layout dialog box, click Print on the File menu of your application, then click the Layout icon in the "Print dialog box".



Selecting this setting proportionally enlarge or reduces the size of the image to make it fit the paper size you selected in the Paper Size list. To use this function, select Fit to Page check box, then select the paper size you loaded in the printer.

Using the Printer Utilities

EPSON printer utilities allow you to check the current printer status and do some printer maintenance from your screen.

EPSON StatusMonitor

You use the EPSON StatusMonitor utilities to check the printer status and the level of ink remaining in each cartridge.

Nozzle Check

To find out if nozzles are delivering ink properly, you can print a nozzle check pattern. If the nozzles are not delivering ink properly, missing dots will be evident in the print pattern. Printer nozzles for six colors can be checked at a time.



Caution:

Before you start printing images, make sure that nozzle check pattern printing is complete. Otherwise, print quality may decline.

Head Cleaning

When printing quality declines, or when clogged nozzles are evident after the nozzle check, the print heads need to be cleaned. Use this utility to perform the head clean, then perform the Nozzle Check again, as repeat head cleaning may be necessary.

Print Head Alignment

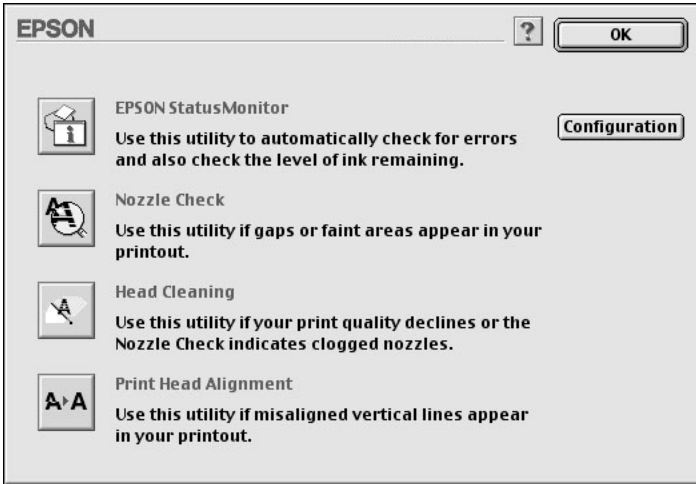
Print head alignment is necessary when a misalignment of vertical lines appears in the head alignment test pattern, or when banding is evident in your printouts.

Configuration

Clicking this button opens the configuration dialog box, where you can change the way the EPSON StatusMonitor utility notifies you when the printer status changes. For details, see “Making Configuration Settings”.

Accessing the printer utilities

Open the Print dialog box or Page Setup dialog box and click the Utility icon to open the Utility dialog box. Then, click the button for the utility you want to use.



Note:

While printing is in progress, pressing any of the utility buttons, except the EPSON StatusMonitor button, may mar your printouts.

Getting Information Through Online Help

Your printer software has an extensive online help feature, which provides instructions on printing, making printer driver settings, and using printer utilities.

Accessing help

Open the Print dialog box or Page Setup dialog box and click the Help (marked with “?”) icon to open the help contents dialog box.

You can access help in the printer driver and utility dialog boxes by clicking the Help (marked with “?”).

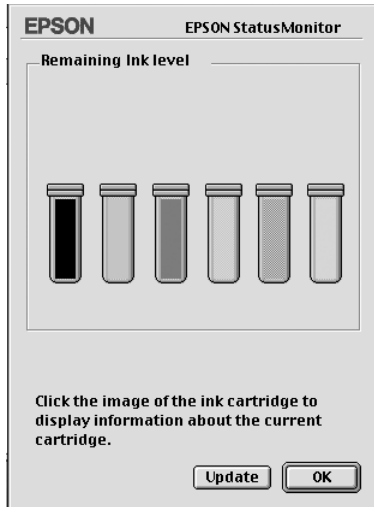
Checking Printer and Print Job Status

Using the EPSON StatusMonitor

EPSON StatusMonitor utility regularly monitors the printer status. If a printer error is detected, you will be informed with an error message. You can also use this utility to check ink levels before printing.

To use EPSON StatusMonitor, click the EPSON StatusMonitor button in the Utility dialog box. The following dialog box appears.

To access the Utility dialog box, see “Accessing the printer utilities”.

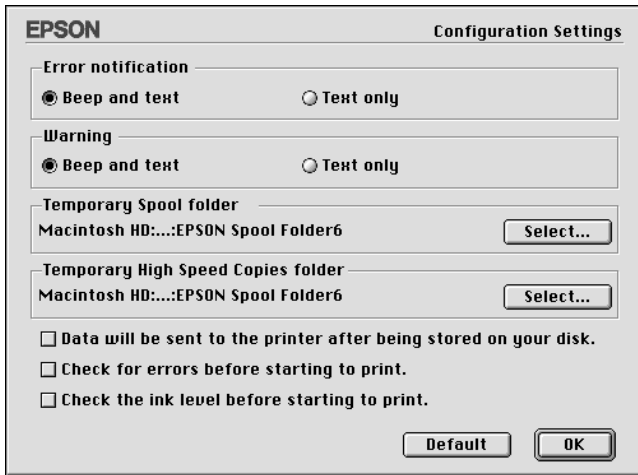


Note:
Installed ink cartridge information is not available.

The EPSON StatusMonitor informs you of the amount of ink remaining as of the time the StatusMonitor was opened. To update ink-level information, click the Update button.

Making Configuration Settings

You can select the way the EPSON StatusMonitor utility monitors your printer, and the way you will be notified of information. Click the Configuration button in the Utility dialog box. (To access the Utility dialog box, see “Accessing the printer utilities”). The Configuration Settings dialog box appears as below.



The options in this dialog box allow you to make the following settings:

Error notification	Choose how the EPSON StatusMonitor notifies you in case of an error.
Warning	Choose how the EPSON StatusMonitor notifies you if a warning message becomes necessary.
Temporary Spool folder	Choose the folder for temporary spooling of print data.

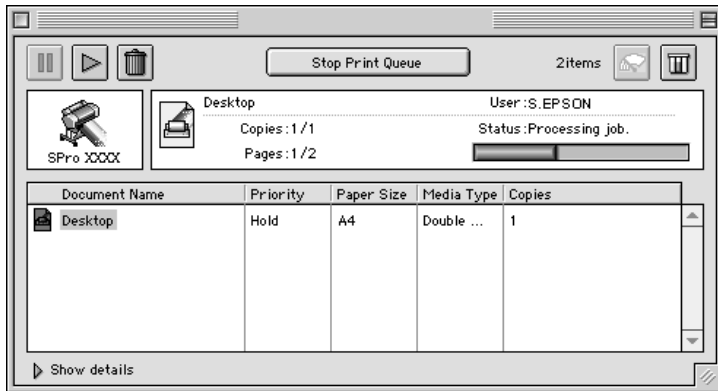
Data will be sent to the printer after being stored on your disk	Select this check box to prevent horizontal banding in your printout. By default, graphics data is sent by the computer to the printer in rectangular bands, which prevents the printer from having to reconstruct an entire image in memory before printing it. Selecting this check box will make the computer temporarily store the image data on its hard drive and then send it to the printer as a whole to prevent banding in the printed image.
Temporary High Speed Copies folder	Choose the folders for multiple-copy print data storage.
Check for errors before starting to print.	Select this check box if you want to check for errors before starting to print.
Check the ink level before starting to print.	Select this check box if you want to check the ink level before starting to print.

Controlling Background Printing

After you send a print job to the printer, you can use the EPSON Monitor3 utility to check on, control, or cancel print jobs that are queued for printing. This utility also shows the status of the job currently being printed.

Using EPSON Monitor3




To use EPSON Monitor3, you must first turn on Background Printing in the Chooser or in the Background Printing dialog box. Then, after sending a print job to the printer, select EPSON Monitor3 from the Application menu at the right end of the menu bar. This opens a dialog box the same or similar to the one below.





Note:

You can also open EPSON Monitor3 by double-clicking the EPSON Monitor3 icon in the Extensions folder.

- ❑ Use the buttons below to hold, resume, and delete print jobs for documents selected in the dialog box. First, select the appropriate print job, then click the applicable button.

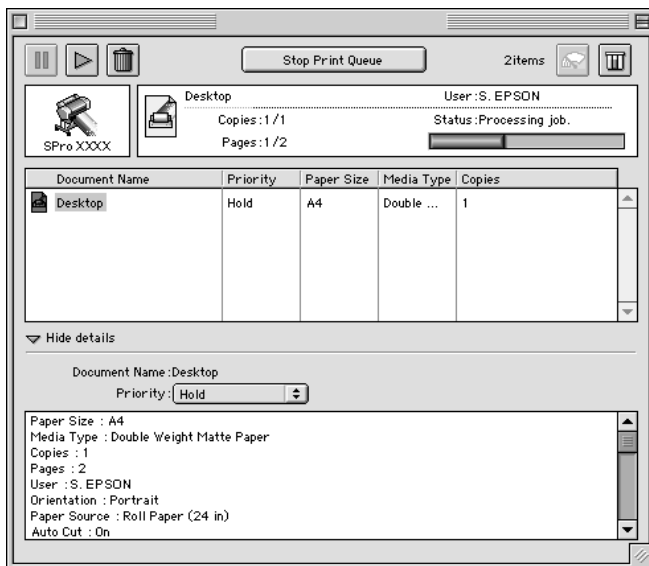
	Hold	Stops printing and holds the current print job in the print queue
	Resume	Resumes printing
	Delete	Stops printing and deletes print job from the print queue

- ❑ Use the buttons below to start the printer utilities.

	Print Head Cleaning	Starts the Print Head Cleaning utility
	Status Monitor	Starts the EPSON StatusMonitor, which displays the amount of ink remaining

- ❑ Click Stop Print Queue to stop printing. Click Start Print Queue to resume printing.
- ❑ Double-click a file in the list to preview it. (This function is disabled when you are printing the ESC/P command file.)
- ❑ Double-click Copies to change the number of copies to print out.

If you click the Show details arrow, an extension similar to the one below appears at the bottom of the EPSON Monitor3 dialog box. The extended dialog box displays detailed information on a selected document's printer driver settings.



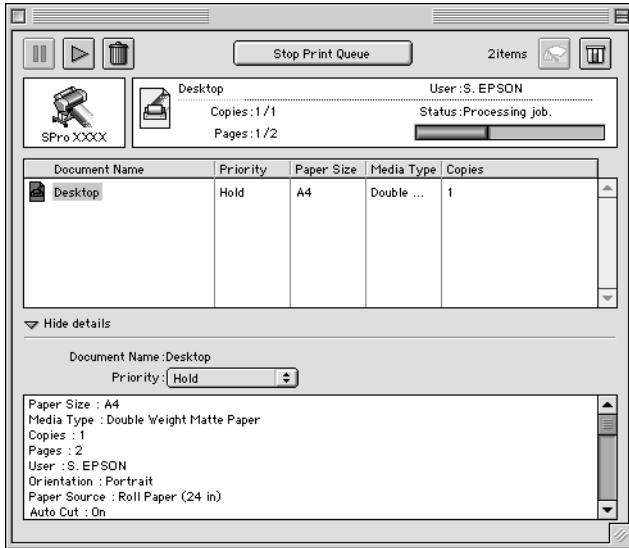
Changing print job priority

To change the priority of print jobs in a print queue, follow the steps below.

Note:

You can also change the priority of print jobs that had print times previously set in the printer driver's Background Printing dialog box.

1. Click the Show details arrow at the bottom of the EPSON Monitor3 dialog box, then click a document name in the Document Name box. You will see an extended dialog box the same or similar to the one below.



2. Select Urgent, Normal, Hold, or Print Time from the Priority list.

If you select Print Time, a dialog box will appear where you can specify the date and time that you want to print the document.

Setting Up Your Printer on a Network

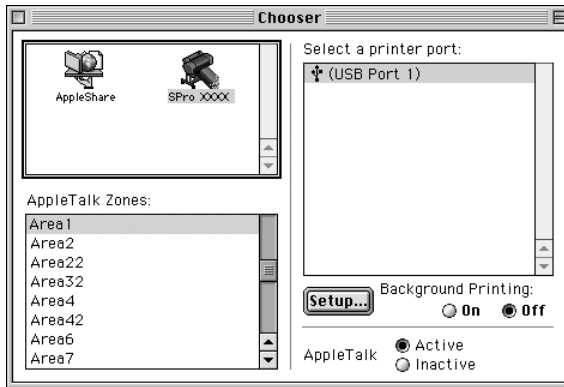
This section tells you how to set up your printer so that other computers on a network can use it.

First, you need to set up the printer as a shared printer on the computer to which the printer is connected. Then, you must signify the network path to the printer from each computer to use the printer, and install the printer software on those computers.

Setting up your printer as a shared printer

Follow these steps to share a printer connected directly to your computer with other computers on an AppleTalk network.

1. Turn on the printer.
2. Select Chooser from the Apple menu and click the printer's icon. Then select the port to which the printer is connected.



3. Click the Setup button. The following dialog box appears.



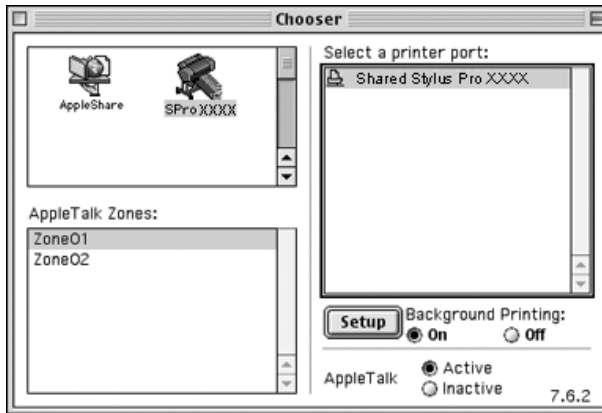
4. Select the Share this Printer check box, then type the printer name and password information as needed.
5. Click OK. The name of the shared printer appears in the port list in the Chooser.
6. Close the Chooser.

Accessing the printer through a network

To access your printer from another computer on the network, follow these steps.

1. Turn on your printer.

2. On each computer from which you want to access the printer, select Chooser from the Apple menu. Then click your printer's icon and select the printer port you want to use from the Select a printer port box on the right. You can only select from the printers connected to your current AppleTalk zone.



3. If the following dialog box appears, enter the password for the printer, then click OK.



4. Select the appropriate Background Printing option button to turn background printing on or off.
5. Close the Chooser.

Paper Handling

Notes for Special Media and Other Media

Although most types of coated paper will provide good printing results, printout quality varies depending on the paper quality and the manufacturer. Test the printout quality before purchasing large amounts of paper.



Caution:

Keep fingers off the printable surface of the media, as fingerprints may reduce printout quality. Whenever possible, use gloves to handle media.

Using EPSON special media

EPSON provides special media that can enrich the usage and expressive power of the printing results. When using EPSON special media, make sure the appropriate settings are made in the printer driver as described in “Printer Software”. For information on EPSON special media, see “EPSON special media”.

Note:

- ❑ *Use EPSON special media in a normal room environment (temperature and humidity) for best results.*
- ❑ *When loading EPSON special media, read the instruction sheets enclosed first.*

Storing EPSON special media

- ❑ *Store unused media in the original plastic bag and outer package so as to avoid moisture problems.*

- ❑ Avoid storing the media in places exposed to high temperature, humidity, or direct sunlight.

Using paper other than EPSON special media

When you use paper other than EPSON special media, or print using the RIP (Raster Images Processor), see the instructions included with the paper or RIP system, or contact your supplier for more information.

Using Roll Paper

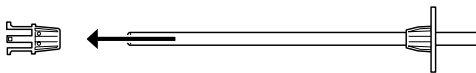
Attaching the roll paper to the spindle

When installing the roll paper onto the spindle, follow the steps below. To remove roll paper or empty roll paper cores, see “Removing the roll paper from the spindle”.

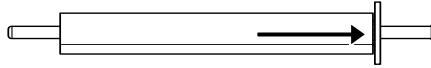
Note:

The following instructions are for the 2-inch roll paper spindle, but can be used for the 3-inch roll paper spindle as well.

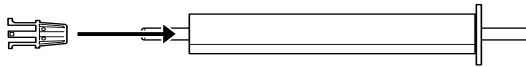
1. Slide the movable flange off the end of the spindle.



2. Place the roll paper on a flat surface so that it does not unwind. Slide the roll paper onto the spindle and onto the flange until it fixes into place.



3. Slide the movable flange (removed in step 1) onto the spindle and into the end of the roll paper until it fixes into place.



Removing the roll paper from the spindle

To remove the roll paper from the spindle, follow the steps below.

1. Place the paper loaded spindle down on a flat surface.
2. Slide the movable flange off the end of the spindle by tapping the same end of the spindle with your hand to loosen it. The flange is removed.



Caution:

To remove the movable flange from the spindle, do not hold the spindle vertically and tap the end on the floor; otherwise, damage may occur.



3. Remove the roll paper from the spindle.



4. Attach other roll paper to the spindle (see “Attaching the roll paper to the spindle”), or if you do not want to attach other roll paper, slide the movable flange back onto the spindle.

Note:

Store unused roll paper in its original package. Put the roll paper into the plastic bag, and outer package so as to avoid moisture problems.

Attaching and removing the spindle from the printer

To attach the paper loaded spindle to the printer, follow the steps below. When you remove the spindle from the printer, clear the roll paper from the paper insertion slot, then reverse the steps below.

You can mount two roll paper spindles on your printer at once in the following combinations:

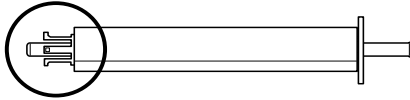
- two 2-inch roll paper spindles
- one 2-inch roll paper spindle and one 3-inch roll paper spindle

Note:

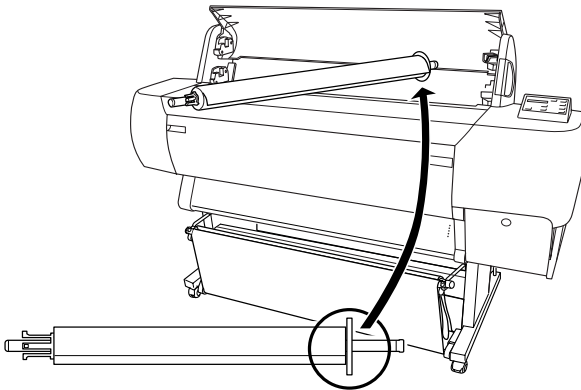
- If you mount one 2-inch roll paper spindle and one 3-inch roll paper spindle at once, always mount the 3-inch type on the upper side brackets and the 2-inch type on the lower brackets.*

- ❑ *If two roll paper spindles are attached to the printer, keep the unused roll wound up using the roll paper belt, to avoid paper jams. See “Using the roll paper belt”.*

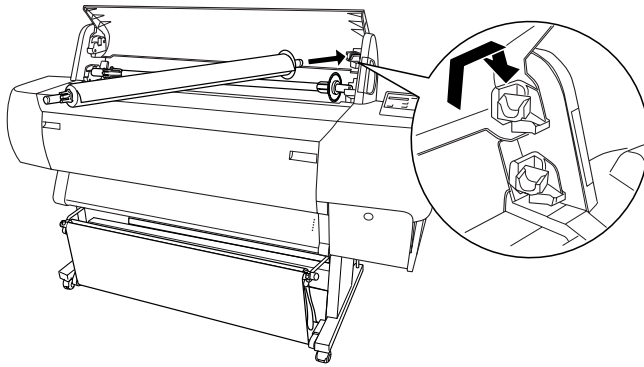
1. Open the roll paper cover.
2. Make sure that the movable flange is fixed into the end of the roll paper properly.



3. Hold the roll paper spindle so that the fixed flange is positioned to the right side.



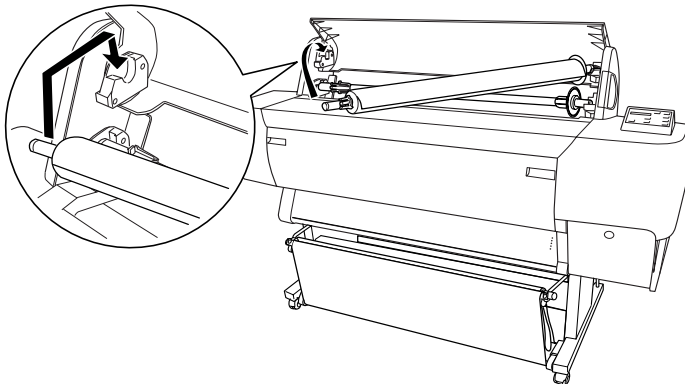
4. Place the right end of the spindle into the right mounting bracket inside the printer.



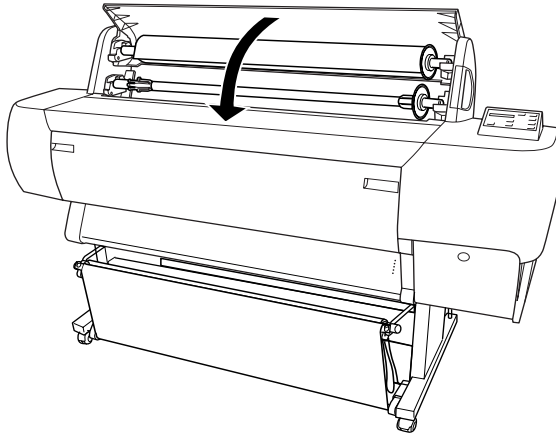
Note:

To mount the spindle correctly, match the color of the end of the spindle with the mounting bracket.

5. Place the left end of the spindle into the left mounting bracket inside the printer.



6. Close the roll paper cover.



Loading the roll paper

To load roll paper, follow the steps below.

Note:

You may want to setup the paper basket before printing. See “Setting the Paper Basket”. (In the illustrations below the paper basket is set to feed paper backwards.)

1. Open the roll paper cover. Make sure that the roll paper is attached to the printer properly.

Note:

If two roll paper spindles are attached to the printer, keep the unused roll wound up using the roll paper belt to avoid paper jams. See “Using the roll paper belt”.

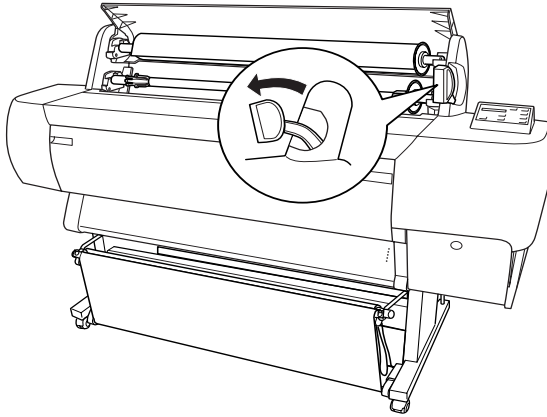
2. Make sure that the printer is on.
3. Press the Paper Source button repeatedly until the Roll Auto Cut light or Roll Cutter Off light is on.



Caution:

If you are loading thick roll paper, select Roll Cutter Off. Paper that is too thick may damage the paper cutter.

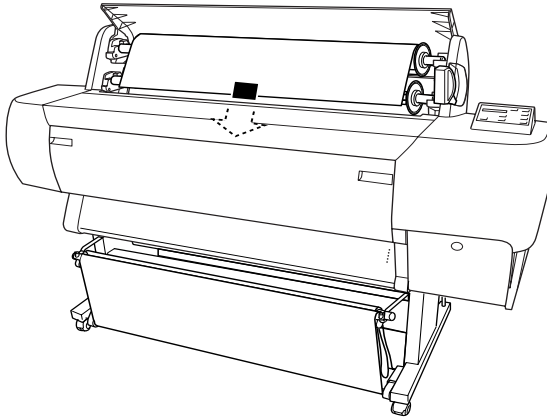
4. Make sure the Operate light or Pause light is not flashing, then set the paper lever to the released position. The Paper Out light turns on and LOAD PAPER appears on the LCD panel.



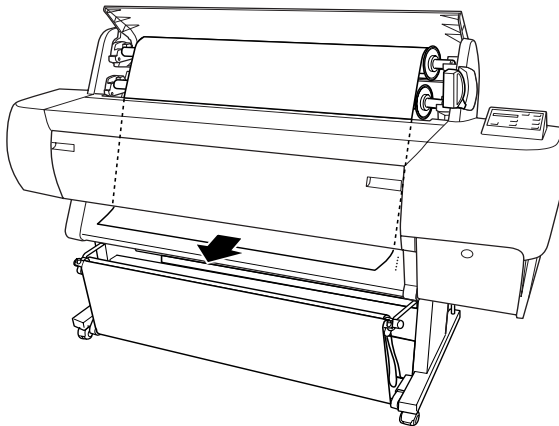
Caution:

Do not set the paper lever to the released position while the Operate light or Pause light is flashing. Doing so may damage the printer.

5. Load the paper into the paper insertion slot.



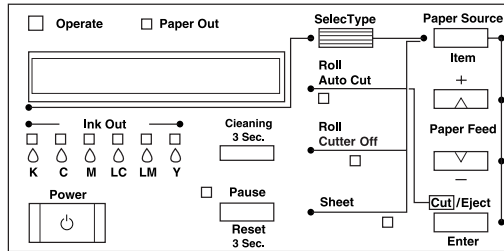
6. Pull the paper down through the paper insertion slot so that it comes out below.



Note:

If the roll paper does not come out, follow the instructions below.

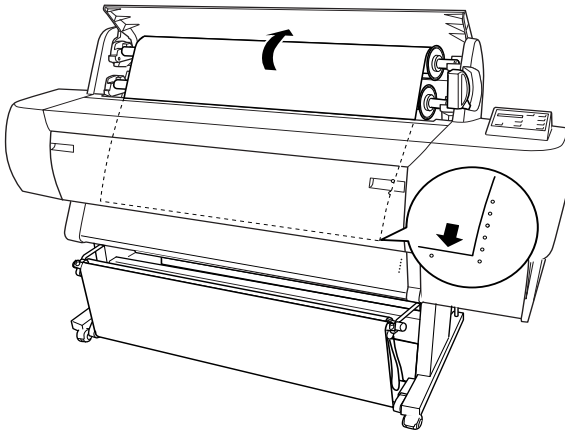
- Adjust the feed strength by pressing the Paper Feed buttons on the control panel. When using thick, heavy, or curled paper, press the Paper Feed (+) button to increase the power. When using thin or light paper, press the Paper Feed (-) button to decrease the power.



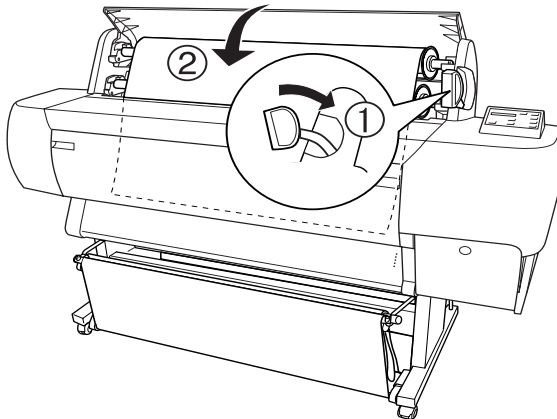
- If the paper does not come out even after executing the procedure above, open the front cover and pull the paper out manually.
7. Holding the bottom edge of the paper, turn the roll paper to remove slack. Make sure that the bottom edge of the paper is straight, and that it is aligned with the row of holes.

Note:

You do not have to align the right end of the paper with the right row of punch holes.



8. Set the paper lever to the secured position, then close the roll paper cover. **PRESS PAUSE BUTTON** appears.



Note:

If the Roll Auto Cut light is on, and the bottom edge of the roll paper was not cut properly after the previous print job, press the Cut/Eject button to recut the edge.

9. Press the Pause button.

The print heads move and the paper feeds into the printing position automatically. READY appears on the LCD panel.

Note:

Even if you do not press the PAUSE button, the print heads move and paper feeds into the printing position automatically. READY appears on the LCD panel.

10. Make the printer driver settings (see “Basic Settings” for Windows or “Basic Settings” for Macintosh), then send a print job from the computer. The printer starts printing.

Note:

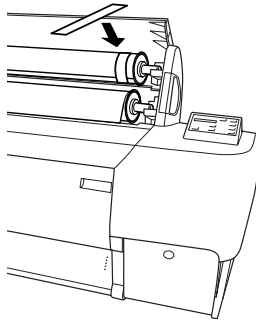
Make sure that the Paper Source setting in the printer driver matches the paper loaded in the printer.

11. After you finish printing, you may need to cut the roll paper. See “Cutting roll paper or printing page lines”.

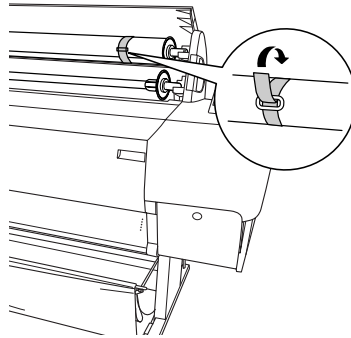
Using the roll paper belt

If you use the roll paper belt for the 2-inch roll paper spindle, tap the end of the roll paper belt lightly on the roll paper. The belt will wrap itself around the roll paper. If you use the roll paper belts for 3-inch roll paper spindle, slide the belt end through the ring and fasten the roll paper.

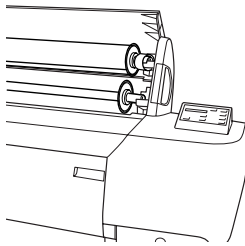
For 2-inch type



For 3-inch type



To remove the roll paper belt, simply unwrap it from around the paper. While you do not use the roll paper belt, keep it wound around the end of the spindle.



Cutting roll paper or printing page lines

When your print job is finished, the printer cuts the roll paper automatically or prints page lines around the document according to your settings. You can make these settings using the control panel or printer software.

Note:

Software usually overrides control panel settings. Use your software to make settings whenever possible.

Using the Auto Cut setting

When you want the roll paper to be cut automatically after your print job, use the Auto Cut setting. To make the Auto Cut setting using the Paper Source button on the control panel, see “Buttons”. To use the printer software, see “Roll Paper Option” for Windows or “Roll Paper Option” for Macintosh.

Note:

When the printer cuts the paper, first the left part of the paper is cut, then the right, and finally the center. Never turn off the printer before the paper is cut completely.

Cutting the roll paper manually

To cut the roll paper when the Auto Cut setting is off, follow the steps below.

Cutting after the document is printed

1. Make sure the document is printed, then press the Paper Source button repeatedly until the Roll Auto Cut light is on.
2. Press the Cut/Eject button. The roll paper is cut.

Cutting the roll paper at other times

1. Press the Paper Feed button to position the paper in place for cutting.
2. Press the Paper Source button repeatedly until the Roll Auto Cut light is on.
3. Press the Cut/Eject button. The roll paper is cut.

Printing page lines

If you want to print continuously on roll paper first, then cut the page yourself after you finish printing, use the Print Page Line setting. To make the Print Page Line setting using the control panel, see “SelectType Settings”. To use the printer software, see “Print Page Line” for Windows or “Print Page Line” for Macintosh.

Using Cut Sheet Media

Loading cut sheet media

To load cut sheet media longer than 279 mm long edge of Letter size), see the next section. To load paper with a length of A3, Super A3/B, and B, see “Loading cut sheet with a length of A4/Letter, A3/US B, and Super A3/B”.

If you are printing on thick paper (0.5 to 1.6 mm), see “Printing on thick paper (0.5 to 1.6 mm)”.

Loading cut sheet media longer than 279 mm (long edge of Letter size)

To load cut sheet media longer than 279 mm, follow the steps below.

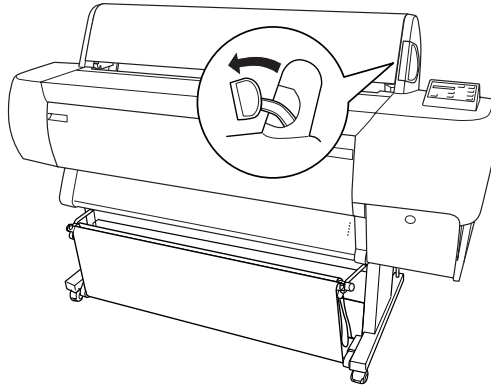


Caution:

As much as possible, keep your fingers off the printable surface of the media, as fingerprints may reduce printout quality.

1. Make sure that the printer is on and the roll paper cover is closed.
2. Press the Paper Source button repeatedly until the Sheet light is on.

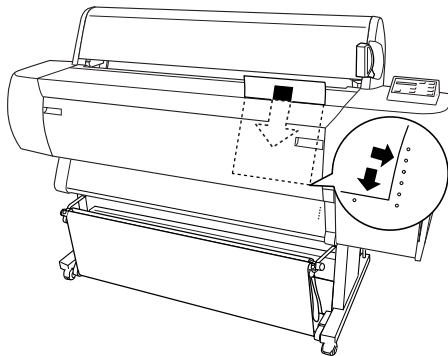
3. Make sure the Operate light or Pause light is not flashing, then set the paper lever released position. The Paper Out light turns on and LOAD PAPER appears on the LCD panel.



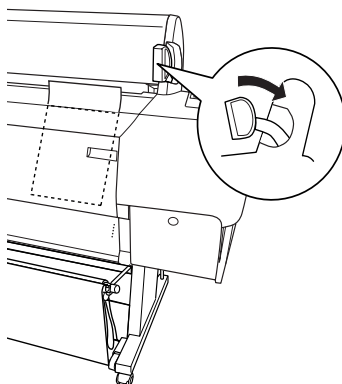
Caution:

Do not set the paper lever to the released position while the Operate light or Pause light is flashing. Otherwise, damage may occur.

4. Load the sheet into the paper insertion slot until it comes out below. Make sure that the right and bottom edges of the sheet are straight and in line with the row of punch holes.



5. Set the paper lever to the secured position. **PRESS PAUSE BUTTON** appears on the LCD panel.



6. Press the Pause button.

The print heads move and the sheet feeds into the printing position automatically. **READY** appears on the LCD panel.

Note:

*Even if you do not press the Pause button, the print heads move and paper feeds into the printing position automatically. **READY** appears on the LCD panel.*

7. Make the printer driver settings (see “Basic Settings” for Windows or “Basic Settings” for Macintosh), then send a print job from the computer. The printer starts printing.

Note:

Allow time for the ink to dry thoroughly after printing to ensure the printout quality.

Loading cut sheet with a length of A4/Letter, A3/US B, and Super A3/B

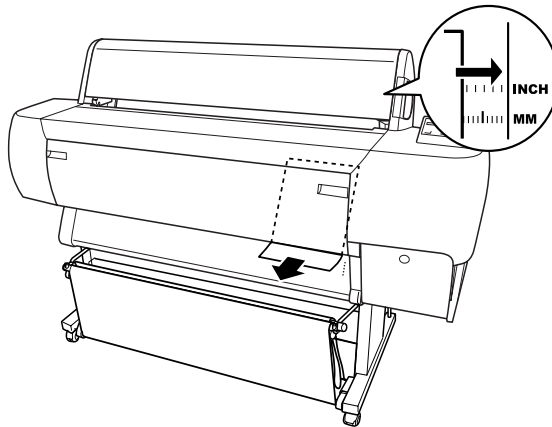
To load cut sheet media with a length of A4/Letter, A3/US B, and Super A3/B, follow the steps below.



Caution:

As much as possible, keep your fingers off the printable surface of the media, as fingerprints may reduce printout quality.

1. Make sure that the printer is on and the roll paper cover is closed.
2. Press the Paper Source button repeatedly until the Sheet light comes on.
3. Make sure that the paper lever is in the secured position. Then load the sheet into the paper insertion slot until it meets resistance. Make sure that the right edge of the paper is straight and in line with the right edge of the scale on the roll paper cover. **PRESS PAUSE BUTTON** appears on the LCD panel.



4. Press the Pause button.
The print heads move and the sheet automatically feeds into the printing position. **READY** appears on the LCD panel.

5. Make the printer driver settings (see “Basic Settings” for Windows or “Basic Settings” for Macintosh), then send a print job from the computer. The printer starts printing.

When printing is complete, the printer supports the printed media, and PAPER OUT is displayed on the LCD panel. To remove the paper, hold it while pressing the Paper Feed button. The paper can be removed from the printer.

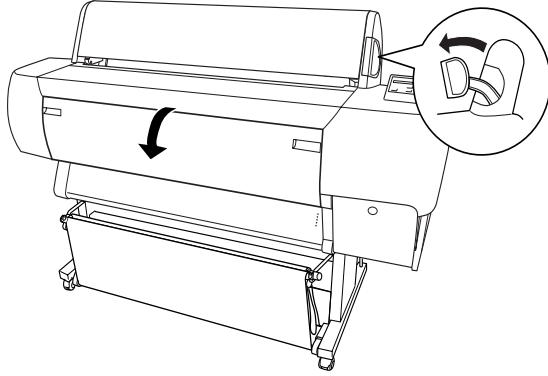
Printing on thick paper (0.5 to 1.6 mm)

When you load thick cut sheets, such as cardboard, follow the steps below.

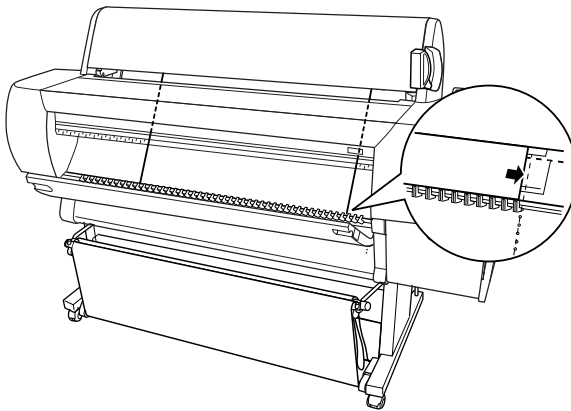
Note:

- ❑ *Do not load thick paper larger in size than B1 (728 × 1030 mm); otherwise, paper jams may occur.*
 - ❑ *Always load B1 (728 × 1030 mm) sized thick paper long edge first. You may want to select the Landscape setting in your printer driver.*
1. Set the paper basket forward as described in “When feeding paper forward (Roll Paper Banner; thick [0.5 mm and more] cut sheet)”.
 2. Make sure that the printer is on.
 3. Press the Paper Source button repeatedly until the Sheet light is on.

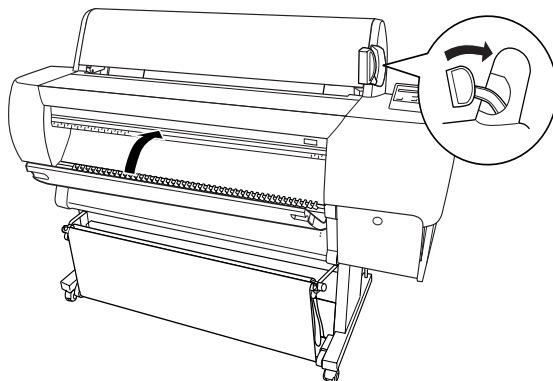
4. Make sure that the Operate light or Pause light is not flashing, then set the paper lever to the released position. The Paper Out light turns on and LOAD PAPER appears on the LCD panel. Open the front cover.



5. Load the sheet into the paper insertion slot so that the bottom edge of the paper rests behind the open front cover. Make sure that the right edge is straight and in line with the vertical row of punch holes.



6. Set the paper lever to the secured position, then close the front cover. **PRESS PAUSE BUTTON** appears on the LCD panel.



7. Press the Pause button. Then follow the same procedure as for other cut sheets.

Setting the Paper Basket

To avoid your printouts getting dirty or crinkled, set the paper basket. You can use the paper basket for both roll paper and cut sheet media.

Note:

When you print on thick paper, set the paper basket forward to avoid your printouts becoming damaged. See “When feeding paper forward” following.

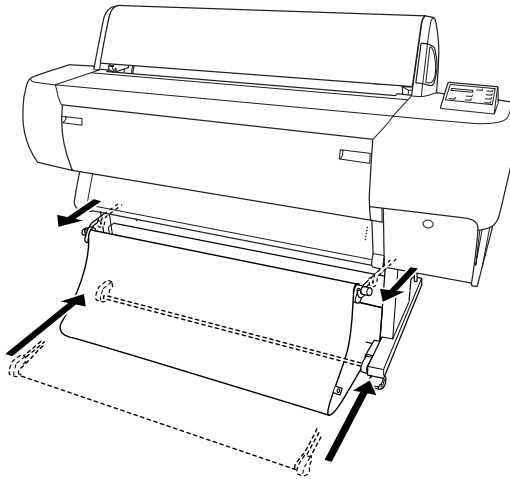
When feeding paper backward (up to B1 size; landscape)



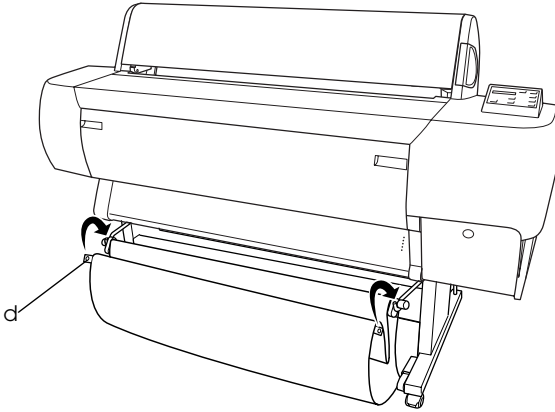
Caution:

Always load B1 (728 × 1030 mm) size thick paper (0.5 to 1.6 mm) long edge first and feed the paper forward. Otherwise, damage to your printouts may occur.

1. Slide the lower hooks back and pull the upper hooks out to their full length.



2. Hook the basket rings (d) on the upper basket hooks to take up the slack of the paper basket.



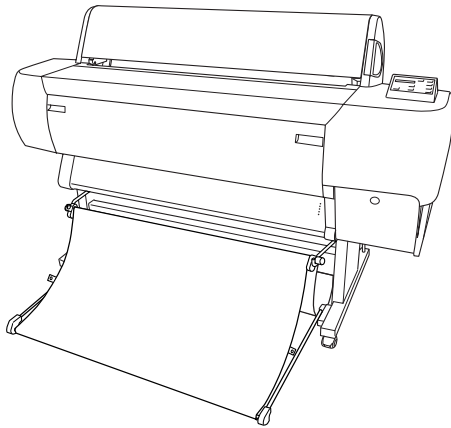
When feeding paper backward (up to super B0 size)

Note:

When feeding roll paper larger than B0 size backward, make sure that your printer has at least 20 cm (7.87 inches) of space to its rear. This prevents the printed paper edges from folding.

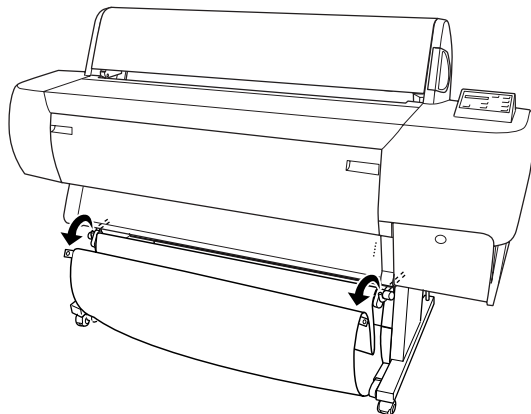
1. Make the paper basket setting as shown in “When feeding paper backward (up to B1 size; landscape)”.
2. Unhook the basket rings from the upper hooks, and slacken the paper basket.

3. Pull the lower basket hooks out to their full length.

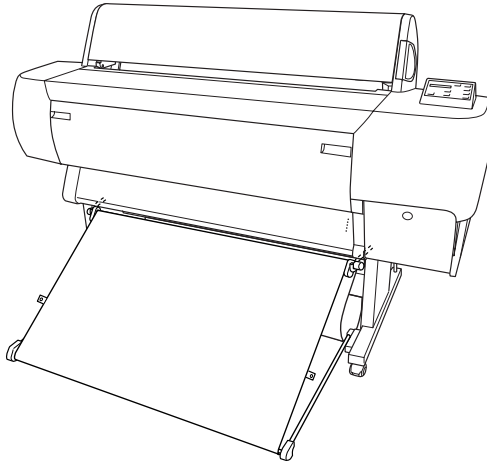


***When feeding paper forward (Roll Paper Banner;
thick (0.5 mm and more) cut sheet)***

1. Unhook the basket rings from the upper basket hooks.



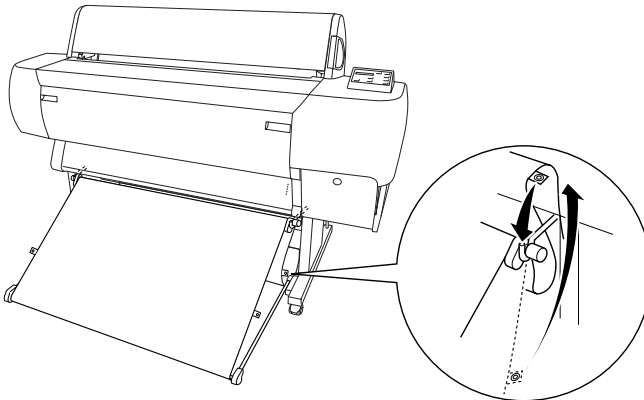
- Slide the upper hooks back to their full length. Then fully pull out the lower paper basket hooks as shown, so that they rest on the floor.



Note:

Make sure that the paper basket surface is at full tension. If not, the fed paper will not slide down to the floor.

- Hook the rear side basket rings of the paper basket on the upper basket hooks, and tighten the paper basket.



Maintenance and Transportation

Replacing Ink Cartridges

The printer's indicator lights tell you when to obtain a replacement ink cartridge by flashing when ink is low, and when to replace an empty ink cartridge by remaining on when ink is depleted. The LCD panel also displays **INK LOW** or **INK OUT**.

Note:

Even if only one ink cartridge is empty, the printer cannot continue to print.

EPSON recommends the use of genuine EPSON ink cartridges. Other products not manufactured by EPSON may cause damage to your printer not covered by EPSON's warranties. See "Ink cartridges".

To replace an ink cartridge, follow the steps below.

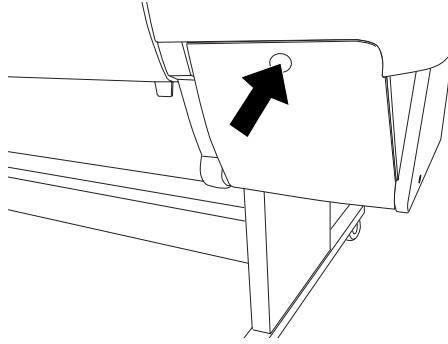


Caution:

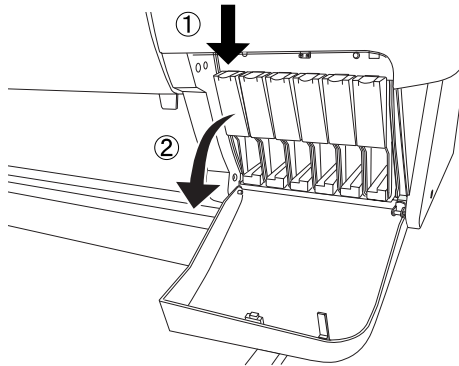
Leave the old cartridge installed in the printer until you are ready to replace it with a new one.

1. Make sure the printer is on. Determine which cartridge needs to be replaced as indicated by the Ink Out light that is flashing or on.

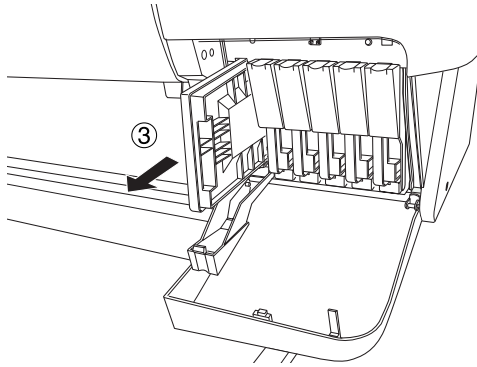
2. Push the button on the ink compartment cover to release the lock of the cover and open it. INK COVER OPEN appears on the LCD panel.



3. Push the top of the clamp, and pull it forward.



- Carefully pull the empty cartridge straight out of the printer.



Warning:

If ink gets on your hands, wash them thoroughly with soap and water. If ink gets into your eyes, flush them immediately with water.

- Make sure the replacement ink cartridge is the correct color, and remove it from the package.

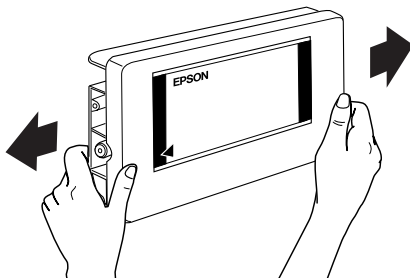


Warning:

Do not shake cartridges that have been installed previously. Doing so may cause ink to leak out.

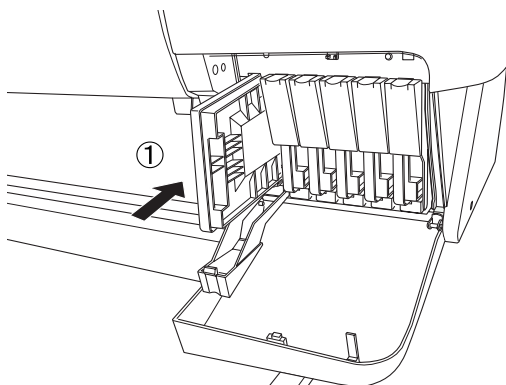
Note:

- ❑ *If you are using UltraChrome or ColorFast type ink cartridges, shake the ink cartridge gently before installing it for best results.*

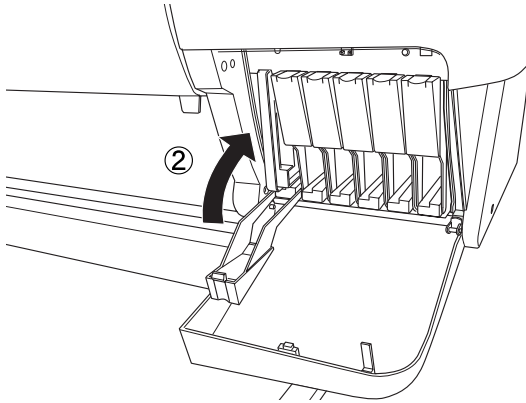


- ❑ *There is a protection system against improper cartridge insertion. If you cannot insert the ink cartridge smoothly, the type of cartridge may be incorrect. Check the package and production code.*

6. Hold the ink cartridge with the arrow on the left side and pointing to the rear of the printer, and insert it into the slot. Do not force the cartridge in further by hand.



7. Push the cartridge clamp backwards. Make sure the corresponding Ink Out light goes off.



Note:

If the Ink Out light remains on, the ink cartridge may not be installed correctly. Remove the ink cartridge and then reinsert it as described above.

8. Close the ink compartment cover by pushing the cover up until you hear it click. The printer returns to the previous status.

Replacing Black Ink Cartridges

If your printer uses UltraChrome ink, you can replace Photo Black (PHOTO) ink with Matte Black (MAT) ink using the draining cartridge that is packed with your printer.



Caution:

To avoid interrupting ink cartridge replacement, observe the following:

- ❑ Do not turn off the printer.
- ❑ Do not open the front cover.
- ❑ Do not move the paper lever to the released position.

Note:

If an electrical power failure occurs during this operation, turn the printer on again. You can continue your procedure at the breakpoint.

Checking the waste ink tank

Before replacing black ink cartridges, make sure that there is enough space in the waste ink tank. Follow these steps to check the available space in the waste ink tank.

1. Press the **SelectType** button until **MAINTENANCE MENU** is displayed on the LCD panel.
2. Press the **Item** button to display **BK INK CHANGE**, and then press the **Enter** button.
3. If **WASTE INK TANK FULL** is displayed on the LCD panel, contact your dealer to replace the waste ink tank. See “Contacting Customer Support”.
4. Press the **Pause** button to return to the **READY** status.

Confirming the remain of the ink cartridges

Before replacing black ink cartridges, make sure that there is enough ink in the black and cyan ink cartridges to ensure the completion of this work. Follow these steps to confirm the amount of remaining black and cyan ink.

1. Press the SelectType button until PRINTER STATUS MENU is displayed on the LCD panel.
2. Press the Item button to display INK LEFT-K.
3. If n% is displayed, you need to replace the black ink cartridge. See "Replacing Ink Cartridges".
4. Referring the steps 1 to 3, check the amount of remaining cyan ink.

Now you are going to drain the ink.

Draining the Ink

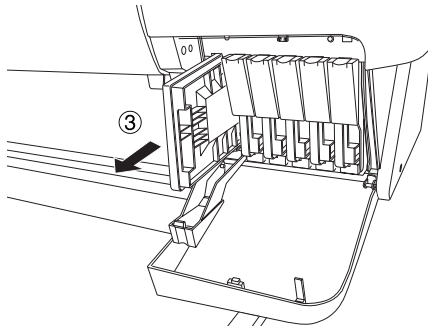
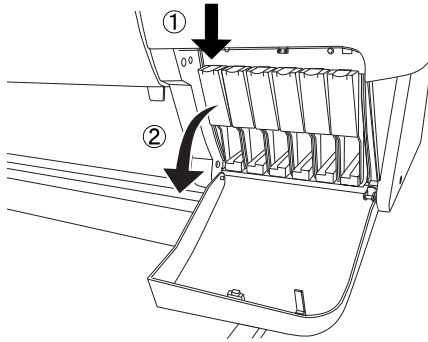
1. Make sure that READY is displayed on the LCD panel.
2. Press the SelectType button until MAINTENANCE MENU is displayed on the LCD panel.
3. Press the Item button to display BK INK CHANGE, and then press the Enter button.

Note:

If WASTE INK TANK FULL is displayed on the LCD panel, contact your dealer to replace the waste ink tank. See "Contacting Customer Support".

4. After confirming that OPEN INK COVER is displayed on the LCD panel, open the ink compartment cover.

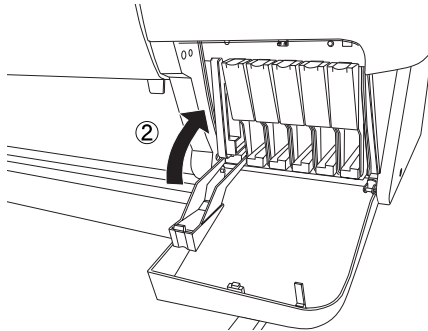
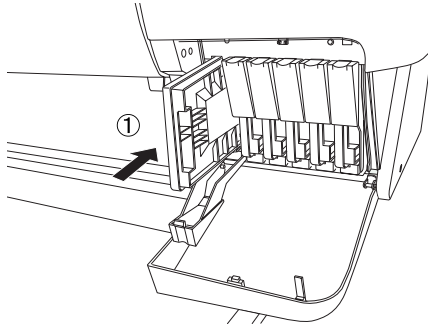
5. After confirming that REMOVE BK INK CRTG is displayed on the LCD panel, remove the black ink cartridge that is now installed in your printer.



Note:

When an ink cartridge is removed from a wrong slot, NO INK CARTRIDGE is displayed on the LCD panel.

6. After confirming that `INSERT DRAIN CRTG` is displayed on the LCD panel, insert the draining cartridge into the black ink slot.



7. After confirming that `CLOSE INK COVER` is displayed on the LCD panel, close the ink compartment cover.

`DRAINING 100%` is displayed on the LCD panel, and the printer drains the remaining ink to the waste ink tank.

Note:

If `NOT ENOUGH INK` or `WRONG CARTRIDGE` are displayed on the LCD panel, replace the ink cartridge that is indicated by the Ink Out light that is flashing or on.

8. After confirming that OPEN INK COVER is displayed on the LCD panel, open the ink compartment cover.
9. After confirming that REMOVE DRAIN CRTG is displayed on the LCD panel, remove the draining cartridge from the black ink slot.

Note:

When an ink cartridge is removed from a wrong slot, NO INK CARTRIDGE is displayed on the LCD panel.

10. After confirming that INSERT BK INK is displayed on the LCD panel, insert a new black ink cartridge.
11. After confirming that CLOSE INK COVER is displayed on the LCD panel, close the ink compartment cover.

The printer starts black ink charging and BK INK CHARGING nn% is displayed on the LCD panel.

When K: EPSON GENUINE INK is displayed on the LCD panel, you are ready to update the printer driver information.

Updating the printer driver information

After the replacement operation, update the driver information following the procedure below.

For Windows users

Click the Main tab and make sure that the ink cartridge information is displayed. If not, set the information manually by clicking the Utility tab, then the Printer and Option Information button.

Printer and Option Information

Cartridge Option

Photo Black T5431/41
Matte Black T5438/48

Printer ID:

ID #1 50 - 50 - 50 - 50 - 50 - 50

ID #2 50 - 50 - 50 - 50 - 50 - 50

Settings Sheet...

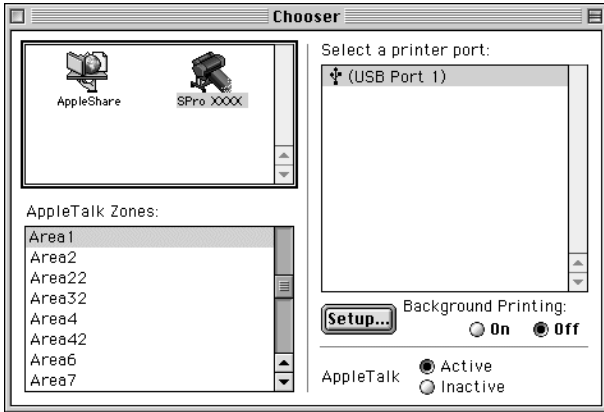
Current Settings

Please input the necessary information about your options after printing out the settings sheet.

OK Cancel Help

For Macintosh users

Select Chooser from the Apple menu and click the printer's icon and printer port.



This completes the black ink replacement.

Replacing the Paper Cutter

When the paper cutter does not cut cleanly, it may be blunt and require replacement. To replace the paper cutter, you need to move the paper cutter holder using the control panel settings.

Auto Cutter Spare Blade

C12C815271



Warning:

Be careful not to cut yourself while replacing the paper cutter.

To replace the paper cutter, follow the steps below.

1. Make sure that the printer is on.

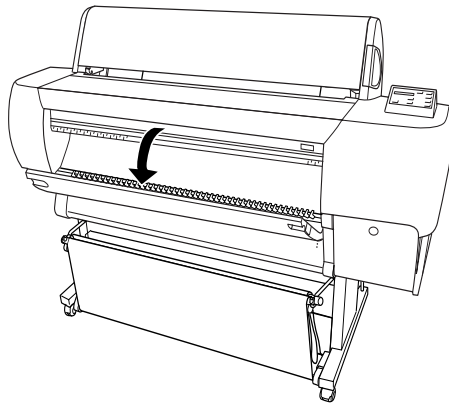
2. Press the **SelecType** button repeatedly until **CUTTER REPLACE MENU** appears on the LCD panel.
3. Press the **Item** button. **CUT . REPLACE** appears. Then press the **Enter** button. **WAIT** appears and the paper cutter holder moves to the replacement position.



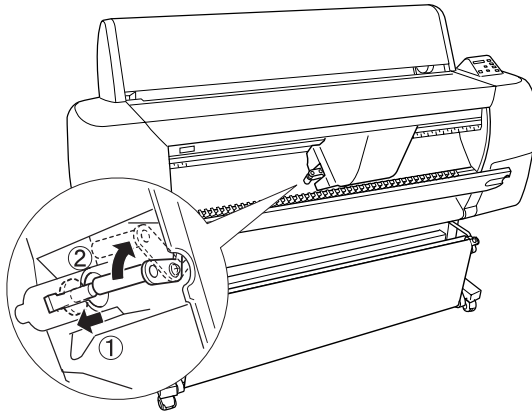
Caution:

Never move the paper cutter holder by hand. Otherwise, damage to your printer may occur.

4. When the paper cutter holder stops at the replacement position, **OPEN FRONT COVER** appears. Open the front cover.



- When **REPLACE CUTTER** appears on the LCD panel, push in the side pin while turning the paper cutter cover to the right to open the casing.

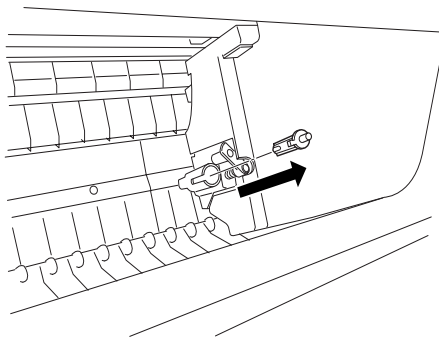


- Slowly take your finger off the side pin. The paper cutter raises so it can be removed.

Note:

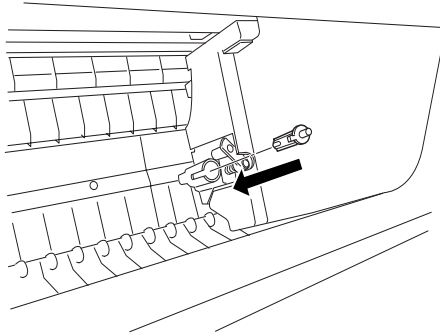
Be careful not to let the cutter or the spring coil pop out of the casing.

- Carefully remove the old paper cutter from the printer.

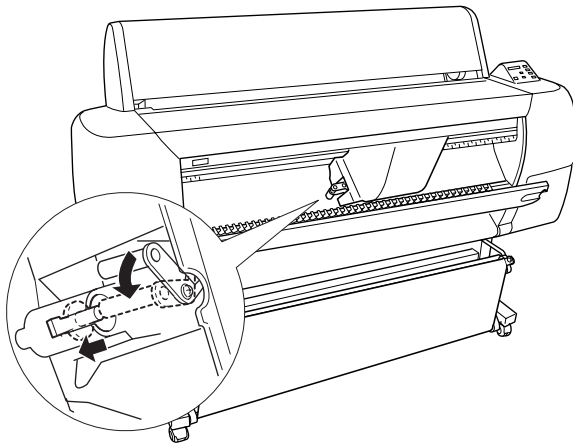


- Remove the new paper cutter from its package.

9. Make sure the spring coil is inside the cutter holder and if necessary, reinstall the coil.
10. Fully insert the new cutter into the paper cutter holder in the direction as shown below.



11. Push in the side pin while turning the paper cutter cover to the left to close the casing.



12. Make sure that **CLOSE FRONT COVER** is displayed, then close the front cover. The cutter holder moves to the home (far right) position.

13. Wait until **READY** appears on the LCD panel. Paper cutter replacement is complete.

Cleaning the Printer

To keep your printer operation at its best, you should clean it thoroughly several times a year.

1. Make sure the printer is turned off and all the lights are off. Then unplug the power cord.
2. Open the roll paper cover and remove the roll paper spindles. Also remove any sheet media from the printer.
3. Make sure that the ink compartment cover is closed. Then use a soft brush to carefully clean away any dust or dirt inside the printer.
4. Close the roll paper cover.
5. Open the front cover and use a soft brush to carefully clean away any dust or dirt inside the front cover. Then close the cover.
6. Remove the paper basket. Then clean away any dust or dirt around the leg assembly using a soft brush.
7. If the outer case is dirty, clean it with a soft, clean cloth dampened with mild detergent. Keep the ink compartment cover closed to prevent water from getting inside.
8. If the inside of the printer accidentally gets soiled with ink, wipe it off with a damp cloth.
9. To wash the paper basket, remove the shafts from the basket, then wash with mild detergent.



Warning:

Be careful not to touch the gears inside the printer.



Caution:

- Never use alcohol or thinners to clean the printer; these chemicals can damage the components as well as the case.*
- Be careful not to get water on the printer mechanism or electronic components.*
- Do not use a hard or abrasive brush.*
- Do not spray the inside of the printer with lubricants; unsuitable oils can damage the mechanism. Contact your dealer or a qualified service person if lubrication is needed.*

If you have not used your printer for a long time

If you have not used your printer for a long time, the print head nozzles may be clogged. Perform a nozzle check and clean the print heads. See “Using the Printer Utilities” for Windows, or “Using the Printer Utilities” for Macintosh.

Note:

Even if you will not be using your printer for a long time, leave the ink cartridges installed.

Transporting the Printer

A long distance

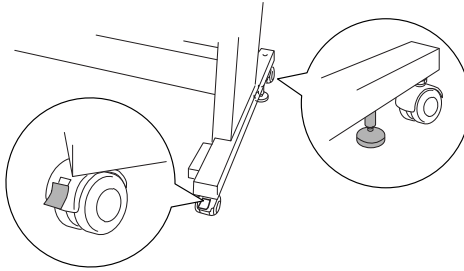
When you need to transport your printer a long distance, the printer should be repacked using the original box and packing materials. Contact your dealer for assistance.

A short distance

When you need to move the printer a short distance, follow the steps below:

1. First turn off the printer and make sure the print heads are in the home (far right) position. If not, turn the printer back on, wait until the print heads move to the home position, then turn off the printer.
2. Remove the following parts:
 - Power cord
 - Interface cable
 - Paper basket
 - Roll paper spindles
 - Roll and cut sheet media
 - All ink cartridges
 - Optional Auto Take-Up Reel Unit (if installed)
 - Optional Manual Cutter Unit (if installed)
3. Make sure that the ink cartridge clamps and the cover are closed.

4. Make sure that the casters at the stand are locked, and that the stabilizer knobs of the stand are extended to the floor.

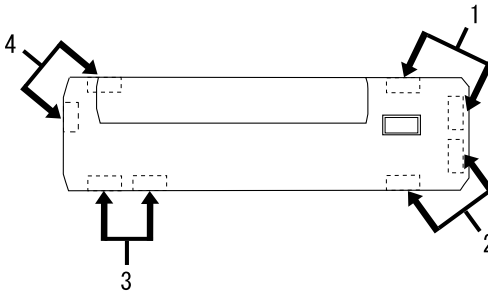
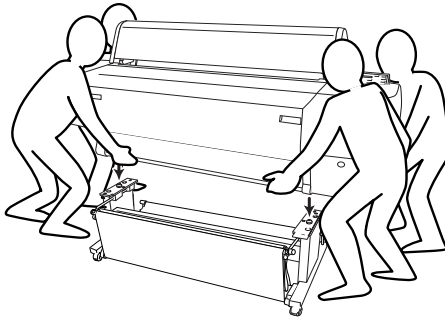


5. Remove the left and right side wing nuts. Keep them in a safe place.
6. Have four or more people lift the printer off of the stand, using the eight hand grips shown below. The printer weighs approximately 115 kg (253.5 lb) and should be lifted carefully.



Caution:

Do not attempt to lift the printer with fewer than four people.



7. Move the printer horizontally.

When you set up the printer after transporting, see “Setting up the printer after transporting it”. Before you use the printer after transporting, you may need to perform a nozzle check and realign the print heads. See “Using the Printer Utilities” for Windows, or “Using the Printer Utilities” for Macintosh.

To move the printer using casters

When you want to transport the printer a very short distance such as within the same room, you can slide the printer on its casters.



Caution:

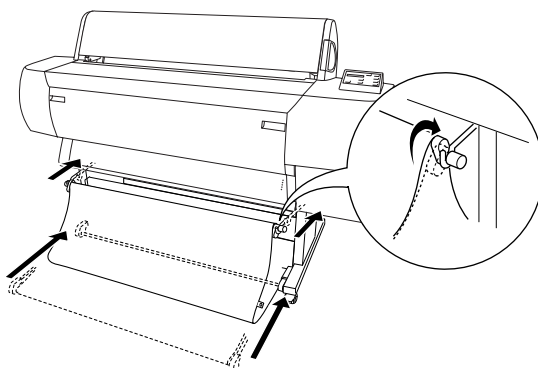
Do not slide the printer on angled or uneven surfaces.

1. Make sure that the power cord, interface cable, roll paper spindles and sheet media are removed, and the roll paper cover and front cover are closed.

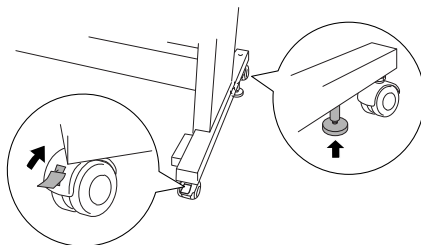
Note:

If you only need to transport your printer a very short distance using the casters, you do not need to remove the ink cartridges.

2. Fully insert the upper and lower hooks, then roll up the paper basket as shown below.



3. Release the front casters and retract the stabilizer knobs.



4. Move the printer to the place of use carefully. Relock the casters and extend the stabilizer knobs after moving.

Setting up the printer after transporting it

The steps you need to take to set up the printer after transporting it are almost identical to the steps carried out the first time you set up the printer. When you set up the printer again, see the *Assembly and Setup Guide*, and note the following points:

- ❑ Do not forget to remove any protective material (such as tape from the ink cartridge clamps).
- ❑ The first time you start printing after transporting the printer, the print head nozzles may be clogged. EPSON recommends you perform a nozzle check and clean the print heads, and also realign the print heads to ensure print quality. See “Using the Printer Utilities” for Windows, or “Using the Printer Utilities” for Macintosh.

Using Optional Product

Using the Auto Take-up Reel Unit

When you want to print your data on roll paper and don't want to cut it or feed it out onto the floor, you can use this optional Auto Take-up Reel Unit to roll up your print out.

See the *Auto Take-up Reel Unit User's Guide* for installing the unit onto your printer.

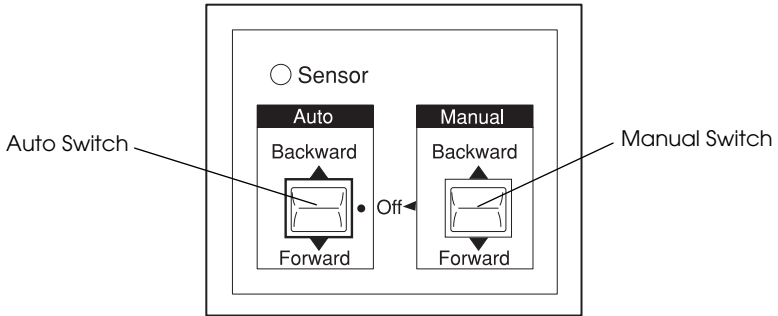
Note:

- ❑ *When using the Auto Take-up Reel Unit, be sure to set the Auto Cut setting to off (at the printer control panel and printer driver). See "Auto Cut" for Windows or "Auto Cut" for Macintosh.*
- ❑ *You can use the Auto Take-up Reel Unit while setting the paper basket in the feeding paper backward position (up to B1 size; landscape).*

Control box

The control box is on the drive unit attached to the lower right side of the printer.

The roles of switches and meanings of the sensor light are as follows.



Sensor light

ON	Indicates that the light detector is aligned with the light emitter. This means that the Auto Take-up Reel Unit is ready to wind your print out.
Flashing	Indicates that the light detector and light emitter are not aligned properly. See "Adjusting the sensor" for details.
Flashing rapidly	Indicates that the Auto Take-up Reel Unit has encountered a problem and stopped operation.
OFF	Indicates that the Auto Take-up Reel Unit is off.

Switches

Auto	For automatic take-up of roll paper when roll paper feeds into the sensor unit's detection area.
Manual	For manual control of the take-up of roll paper.

Adjusting the sensor

The angle of the sensors has already been adjusted when the unit is shipped. But, if the sensor light on the control box is flashing, you need to adjust the sensor so that the light detector is aligned with the light emitter. When they are aligned, the sensor light comes on.



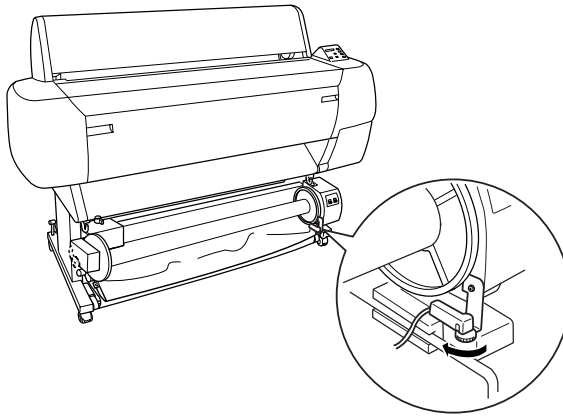
Caution:

- ❑ *Avoid locating the sensor in direct sunlight; otherwise, the auto take-up reel unit may not operate properly.*

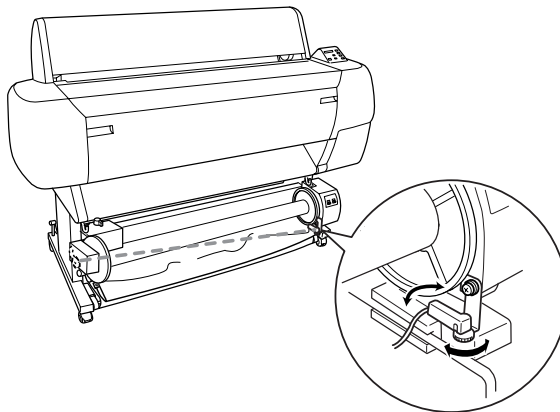
- ❑ *Prevent fans or air conditioners from blowing directly on the roll paper. If the paper is blown out of the sensor area, it will not be taken up properly.*

To adjust the sensor position, follow the steps below.

1. Loosen the knob on the light emitter.



2. Adjust the horizontal angle of the emitter so that the sensor light turns on.



3. Holding the detector in position, retighten the knob.

Loading roll paper onto the take-up reel core



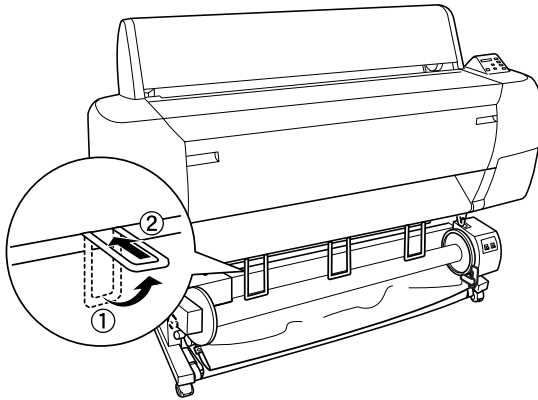
Warning:

- ❑ Turn off the Auto Take-up Reel Unit before loading paper. If the take-up reel unit operates unexpectedly, bodily injury may occur.

- ❑ Make sure the take-up reel unit is installed properly and securely. Bodily injury may occur if it falls.

Before you load roll paper onto the take-up reel core, check the following:

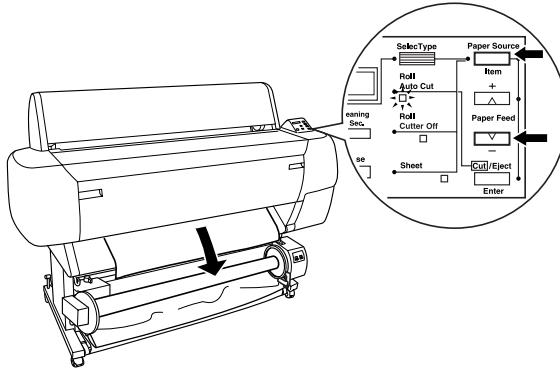
- ❑ Make sure that the leading edge of the roll paper is straight.
- ❑ Make sure that the paper guides on the printer are in the storage position as show below.



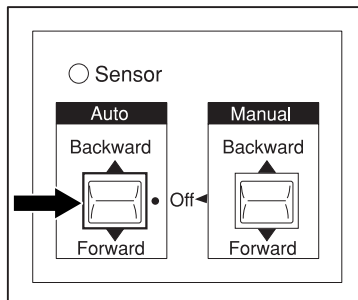
Winding paper forward

When you want paper wound onto the take-up reel core with the print on the outside, set the take-up reel unit to wind paper forward. Follow the steps below.

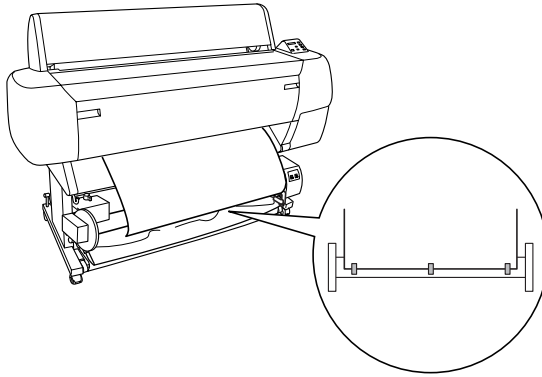
1. Make sure that the roll paper is loaded in the printer properly.
For instructions, see “Loading the roll paper”.
2. Press the Paper Source button on the printer until the Roll Cutter Off light turns on.
3. Press the Paper Feed (-) button on the printer to advance the roll paper.



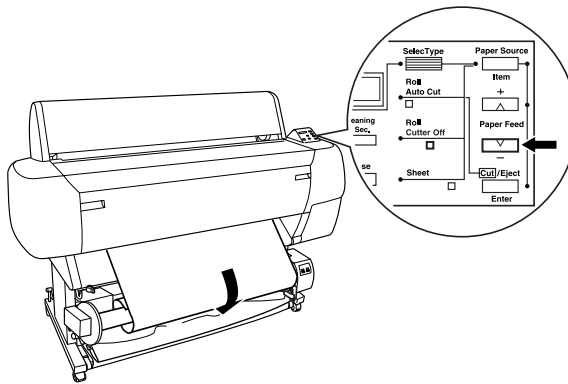
4. Set the Auto switch on the control box to Off.



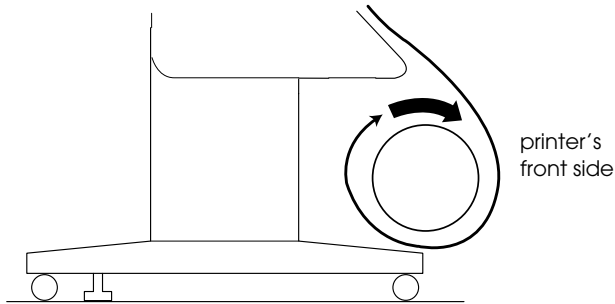
5. Tape the leading edge of the roll paper to the take-up reel core in three places.



6. Press the Paper Feed (-) button to feed the paper forward and create a loop of slack.



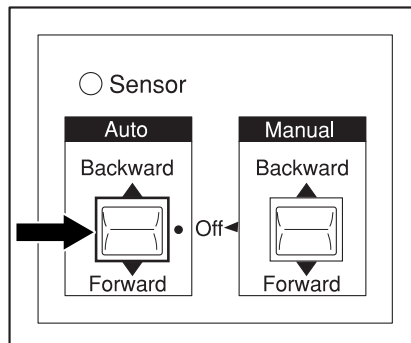
7. Set the Manual switch on the Auto Take-up Reel Unit to the Forward position, and take up at least one turn of paper on the take-up reel core. Make sure that adequate slack remains between the roll paper and the take-up reel core.



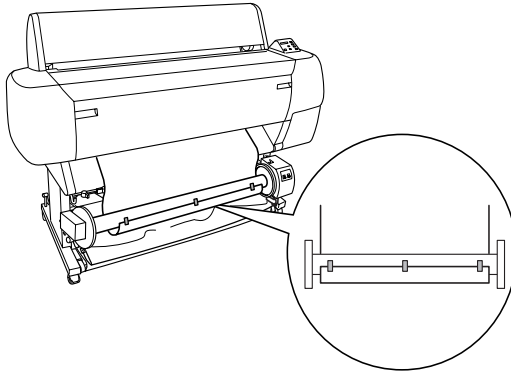
Winding paper backward

When you want the paper wound onto the take-up reel core with the print on the inside, set the take-up reel unit to wind paper backward. Follow the steps below.

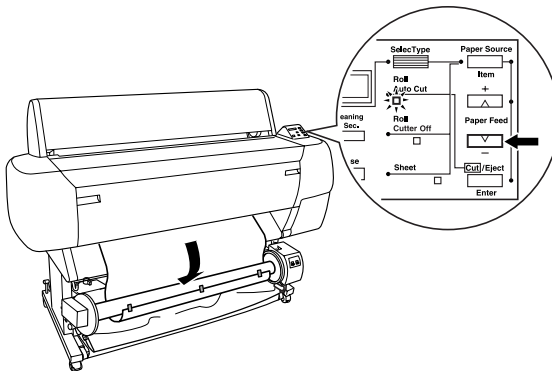
1. Carry out the steps 1 through 3 described in "Winding paper forward".
2. Set the Auto switch on the control box to Off.



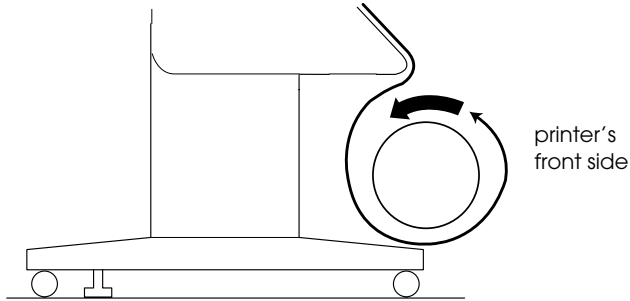
3. Pull the bottom of the roll paper around the back of the reel core as shown below. Then tape the leading edge of the paper to the reel core in three places.



4. Press the Paper Feed button (-) to feed the paper forward and create a loop of slack.



5. Set the Manual switch on the Auto Take-up Reel Unit to the Backward position and take up at least one turn of paper on the take-up reel core. Make sure that adequate slack remains between the roll paper and the take-up reel core.



Taking-up your prints

When the Auto Take-up Reel Unit is installed, and the take up reel core is loaded with paper to take-up in the desired direction, you can use the unit to take-up your prints.



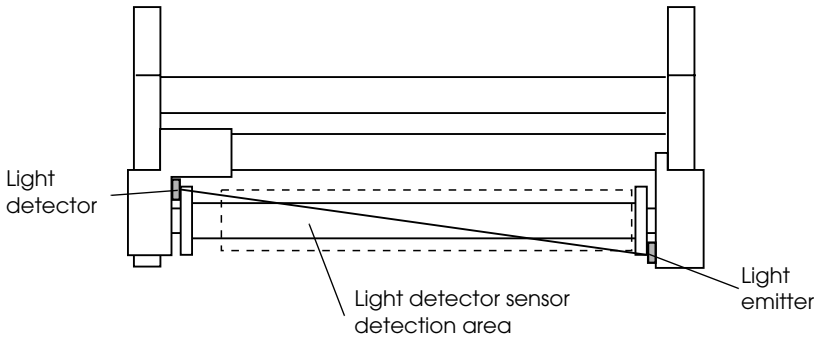
Warning:

- Do not touch the Auto Take-up Reel Unit while it is operating. Doing so may result in injury.*
- Do not look directly at the sensor beam. Doing so may cause permanent eye damage.*



Caution:

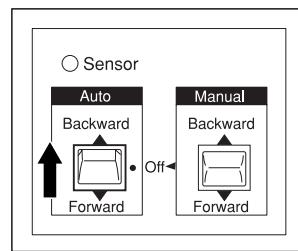
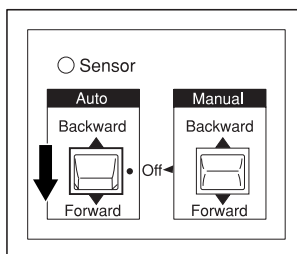
During operation, be sure to stay out of the sensor detection area. Interrupting the sensor beam can cause paper to be taken up under tension and adversely affect printing.



1. Press the Paper Source button on the printer repeatedly until the Roll Cutter Off light comes on.
2. Set the direction of take-up with the Auto switch on the control box.

To wind forward

To wind backward



3. Send a print job to the printer. The printer starts printing. The Auto Take-up Reel Unit takes-up the roll paper in the direction you set in step 2.

Note:

Do not touch the Manual switch while printing is in progress. Doing so may damage your prints.

Removing paper after take-up

After paper take-up, remove the take-up reel core as follows.

1. Turn off the Auto Take-up Reel Unit.



Warning:

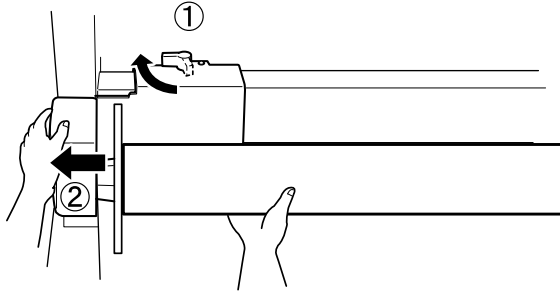
Turn off the Auto Take-up Reel Unit before removing the take-up reel core. If the take-up reel unit operates unexpectedly, injury may occur.

2. Press the Paper Source button repeatedly on the printer until the Roll Auto Cut light comes on.
Then press the Cut/Eject button. The roll paper is cut automatically.

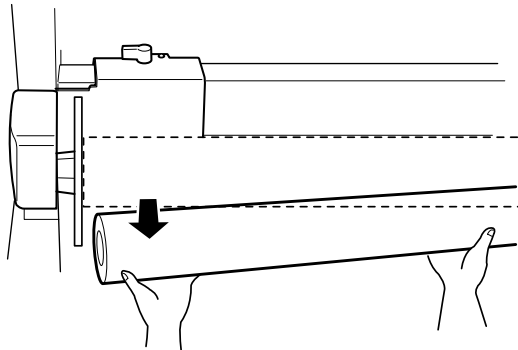
Note:

If you are printing on very thick roll paper, it is recommended that you set the Auto Cut setting to off (at the printer's control panel and printer driver) and press the Paper Feed button on the printer to feed the paper, then cut the paper yourself; otherwise the paper cutter may be damaged. See "Cutting the roll paper manually".

3. Turn the lever to unlock the movable unit, and slide it to the left so that the flange knob clears the end of the take-up reel core. While doing this, support the take-up reel core with one hand to keep it from falling.



4. Remove the take-up reel core from the flange knob on the movable unit.



5. Similarly, remove the take-up reel core from the flange knob on the drive unit.

Troubleshooting

Printer Stops Printing Unexpectedly

Head cleaning, ink charging, or ink drying is in progress





Check to see if the Pause light is flashing. If so, the printer is in the process of head cleaning, ink charging or ink drying. During head cleaning and ink charging, `WAIT` is displayed on the LCD panel. During ink drying, `INK DRY nn MIN` is displayed (nn is the number of remaining minutes). Wait until the printer resumes printing.

An error has occurred




Many common printer problems can be identified by the LCD messages and lights on your printer's control panel.

If your printer stops working, use the table below to diagnose the problem, then follow the recommended corrective measures. For other messages not included in the table, see "Status messages".

The Printer does not Turn on or Stay on

Message and Light	Problem	Solution
PAPER OUT  Paper Out	No paper is loaded in the printer.	Load paper in the printer.
	Paper ran out.	Remove any printouts or paper remaining in the printer. Load more paper. If this message appears during a print job, reset the printer by pressing the Pause button for 3 seconds, then load paper and send the job again.
LOAD ROLL PAPER LOAD SHEET PAPER  Paper Out	The paper source setting in the printer driver is different from the control panel.	Make sure the paper source setting in the printer driver is the same as the control panel.
PAPER JAM  Paper Out	Paper is jammed in the printer.	Remove the jammed paper. See also "Paper Feed or Paper Jam Problems Occur Frequently".
FRONT COVER OPEN	Front cover is open.	Close the front cover.
PAPER NOT CUT  Paper Out	Roll paper was not cut.	Cut the paper manually, then remove the cut paper from the printer. When RELOAD PAPER is displayed, load paper.
	Cut paper did not fall off.	Remove the cut paper from the printer. When RELOAD PAPER is displayed, load paper.

<p>PAPER NOT STRAIGHT</p> <p style="text-align: center;">■</p> <p>Paper Out</p>	<p>Slippage occurred and paper was fed at an angle.</p>	<p>Reload paper. See "Paper Feed or Paper Jam Problems Occur Frequently".</p>
<p>RELOAD PAPER</p> <p style="text-align: center;">■</p> <p>Paper Out</p>	<p>Paper could not be reversed into the printing position.</p>	<p>Remove then reload the paper so that the right and bottom edges are straight and in line with the rows of punch holes on the printer. See "Paper Handling".</p>
	<p>Paper is set out of the printable area.</p>	
	<p>Paper is set out of the horizontal cutting area.</p>	
	<p>Paper is not fully ejected.</p>	<p>Cut the paper at the paper insertion slot, then reload paper.</p>
	<p>PAPER NOT CUT error was cleared.</p>	<p>Reload paper.</p>
	<p>Optional Auto Take-up Reel Unit is not operating correctly.</p>	<p>Check whether the unit is operating correctly. See "Troubleshooting on the Optional Auto Take-up Reel Unit".</p>
<p>LOAD PAPER</p> <p style="text-align: center;">■</p> <p>Paper Out</p>	<p>Paper lever was released during the printing process or another operation.</p>	<p>Set the paper lever to the secured position. Start printing again from the beginning for best results.</p>
<p>REMOVE PAPER</p> <p style="text-align: center;">■</p> <p>Paper Out</p>	<p>Loaded paper is too thick for head cleaning.</p>	<p>Push the paper lever down to remove the paper. Head cleaning automatically starts. After cleaning, PAPER OUT is displayed. Reload paper.</p>

UNABLE TO PRINT	If an error occurs, or the ink compartment cover is open, you try to print a test pattern (nozzle check, status check, head alignment, or paper thickness pattern) from the SelecType settings.	After 3 seconds the message disappears. Press the Pause button to exit the SelecType mode. When an error or status message appears again, clear and perform printing a test pattern again.
INK OUT  Y/LM/M/LC/C/K	Ink cartridge(s) is (are) empty.	Replace the ink cartridge(s) as indicated by the lights. See "Replacing Ink Cartridges".
NO INK CARTRIDGE  Y/LM/M/LC/C/K	Ink cartridge(s) is (are) not installed.	Install ink cartridge(s) as indicated by the lights. See "Replacing Ink Cartridges".
WRONG CARTRIDGE  Y/LM/M/LC/C/K	Wrong ink cartridge(s) is (are) installed.	Use the correct ink cartridge(s).
OPTION I/F ERROR	Wrong I/F card is installed.	Install the correct I/F card after turning off the power.
SERVICE REQ nnnnnnnn All lights Flashing	A fatal error has occurred.	Note the error number "nnnnnnnn" and contact your dealer. See "Contacting Customer Support".

When the Operate light does not come on and mechanism initialization does not start (even when the Power button is pressed to turn on the printer), try the solutions listed for the problem.

- Turn off the power and make sure the power cord is securely plugged into the printer.

- ❑ Make sure your outlet works and is not controlled by a wall switch or timer.
- ❑ Make sure the supplied voltage to the printer matches the rating voltage labeled on the printer. If not, turn off the power and unplug the power cord immediately. Contact EPSON for assistance. See “Contacting Customer Support”.



Caution:

If the supplied voltage and rating voltage do not match, do not plug the printer back in again, as damage may occur.

The Printer Prints Nothing

The printer is not correctly connected to the computer

Try one or more of these solutions:

- ❑ Turn off the printer and computer. Make sure the printer’s interface cable is securely plugged into the correct terminal of the computer.
- ❑ Make sure the interface cable specifications match the specifications for the printer and computer.
- ❑ Make sure the interface cable is directly connected to the computer without passing through any device, such as a printer switching device, or extension cable.
- ❑ For Windows NT 4.0 users, try uninstalling the EPSON Printer Port. Click Start, point to Programs and EPSON Printers, then click EPSON Printer Port Uninstall. Follow the messages on the screen.

Your EPSON printer is not selected as the default printer

Install the printer driver if it is not installed already, and follow the steps below to select your EPSON printer as the default printer.

For Windows Me, 98, 95, 2000, and NT 4.0

1. Click Start, point to Settings and select Printers.
2. Right-click EPSON Stylus Pro 10600 UC (for UltraChrome ink users), EPSON Stylus Pro 10600 CF (for ColorFast ink users), or EPSON Stylus Pro 10600 DYE (for dye ink users) in the Printers window.
3. Select Set As Default, then close the Printers window.

For Windows XP

1. Click Start, and then Printer and Faxes.
2. Right-click EPSON Stylus Pro 10600 UC (for UltraChrome ink users), EPSON Stylus Pro 10600 CF (for ColorFast ink users), or EPSON Stylus Pro 10600 DYE (for dye ink users).
3. Select Set As Default Printer, then close the window.

For Macintosh:

1. Click Apple menu and select Chooser. If the EPSON Stylus Pro 10600 printer icon can be seen, the printer driver is correctly installed.
2. Make sure the EPSON Stylus Pro 10600 UC (for UltraChrome ink users), EPSON Stylus Pro 10600 CF (for ColorFast ink users), or EPSON Stylus Pro 10600 DYE (for dye ink users) is selected for the printer port.

Printer port setting does not match the printer connection port

If you use Windows, select the printer port as described below.

For Windows Me, 98, or 95

1. Click Start, point to Settings and select Printers.
2. Right-click EPSON Stylus Pro 10600 UC (for UltraChrome ink users), EPSON Stylus Pro 10600 CF (for ColorFast ink users), or EPSON Stylus Pro 10600 DYE (for dye ink users) in the Printers window, then select Properties.
3. Click the Details tab.
4. Make sure that your printer driver is selected in the Print using the following driver list. Then select the port to which your printer is connected in the Print to following port list.

For Windows 2000 or NT 4.0

1. Click Start, point to Settings and select Printers.
2. Right-click EPSON Stylus Pro 10600 UC (for UltraChrome ink users), EPSON Stylus Pro 10600 CF (for ColorFast ink users), or EPSON Stylus Pro 10600 DYE (for dye ink users) in the Printers window, then select Properties.
3. Click the Ports tab.
4. Make sure that your printer port is selected.

For Windows XP

1. Click Start, and open Printers and Faxes.
2. Right-click your printer's icon, then open the Properties.

3. Click the Ports tab.
4. Make sure that your printer port is selected.

The printer driver does not have enough available memory (Macintosh)

To increase the available memory in your Macintosh, select Control Panel from the Apple menu and double-click the Memory icon. You can increase the size of RAM cache or virtual memory to increase total available memory. Also quit all unnecessary applications.

The printer sounds like it is printing, but nothing prints

Try one or more of these solutions:

- Run the Head Cleaning utility. See “Using the Printer Utilities” for Windows or “Using the Printer Utilities” for Macintosh.
- If the Head Cleaning utility doesn’t work, replace the ink cartridges. See “Replacing Ink Cartridges”.

Printouts are Not What You Expected

Incorrect or garbled characters

Try one or more of these solutions:

- ❑ Select your printer as the default printer in Windows. See “Your EPSON printer is not selected as the default printer”.
- ❑ Clear any stalled print jobs from the Progress Meter (for Windows), or EPSON Monitor3 (for Macintosh). See “Using the Progress Meter” for Windows or “Using EPSON Monitor3” for Macintosh.
- ❑ Turn off the printer and computer. Make sure the printer’s interface cable is plugged in securely.
- ❑ Make sure the running application is for Windows or Macintosh.
- ❑ Make sure the EPSON Stylus Pro 10600 UC (for UltraChrome ink users), EPSON Stylus Pro 10600 CF (for ColorFast ink users), or EPSON Stylus Pro 10600 DYE (for dye ink users) printer driver is selected.

If you are using Windows NT 4.0, try to uninstall the EPSON Printer Port. Click Start, point to Programs, then point to EPSON Printers, and point to EPSON Printer Port Uninstall. Follow the messages on the screen.

Incorrect margins

Try one or more of these solutions:

- ❑ Check the margin settings in your application.
- ❑ Make sure the margins are within the printable area of the page. See “Printable area”.
- ❑ For Windows, check the settings in the Paper menu. Make sure they are correct for the paper size you are using.

For Macintosh, check the settings in the Page Setup dialog box. Make sure they are correct for the paper size you are using.

- Make sure the paper set position is correct. Line the paper up straightly and close to the rows of punch holes on the printer.

Inverted image

Turn off the Flip Horizontal setting in the “Advanced menu” for Windows, or “Advanced dialog box” for Macintosh.

Blank pages print

Try one or more of these solutions:

- Select your printer as the default printer in Windows. See “Your EPSON printer is not selected as the default printer”.
- For Windows, check the settings in the Paper menu. Make sure they are correct for the paper size you are using.

For Macintosh, check the settings in the Page Setup dialog box. Make sure they are correct for the paper size you are using.

Printed color differs from the color on the screen

Try one or more of these solutions:

- To color match your system, select sRGB for Windows, or ColorSync for Macintosh, in the Advanced dialog box.

Since monitors and printers produce colors differently, printed colors will not always match on screen colors perfectly. However, the above color systems are provided to overcome color differences.

- ❑ Select PhotoEnhance4 in the Advanced dialog box. You can produce sharper images with more vivid colors.
- ❑ Select Color Adjustment in the Advanced dialog box and adjust color, brightness, etc. as required.
- ❑ For Macintosh, make sure your application and image reading devices support the ColorSync system when you are selecting ColorSync in the Advanced dialog box.
- ❑ Do not use plain paper.

The color of printout images can differ with media. Use the appropriate paper for your color printing requirements.

A ruled line shifts

Make sure the print heads are not misaligned.

When bi-directional printing is made, the ruled lines will shift if the print heads are misaligned. Run the Print Head Alignment utility. See “Using the Printer Utilities” for Windows or “Using the Printer Utilities” for Macintosh.

Printout has smears on the bottom edge

Try one or more of these solutions:

- ❑ If the paper is curled towards the printable side, flatten it or curl it slightly to the opposite side.






- ❑ For EPSON paper, check the Media Type setting in the Main menu for Windows or in the Print dialog box for Macintosh. Make sure it is correct for the paper you are using.

For paper other than EPSON's, register and select paper thickness in the SelecType mode. Make sure it is correct for the paper you are using. See "SelecType Settings".

- ❑ Set the platen gap setting to WIDE in the Printer Setting menu of the SelecType mode. See "SelecType Settings".

Print Quality Could be Better

Click the caption under the illustration that best resembles your printout.

 <p>"Horizontal banding"</p>	 <p>"Vertical misalignment or banding"</p>
 <p>"Incorrect or missing colors"</p>	 <p>"Faint printout or gaps"</p>
 <p>"Blurry or smeared printout"</p>	

If you are having print quality problems, try the solutions offered here.

Horizontal banding

Try one or more of these solutions:

- ❑ For Windows, check the Media Type setting in the Main menu. Make sure it is correct for the paper you are using.

For Macintosh, check the Media Type setting in the Print dialog box. Make sure it is correct for the paper you are using.

- ❑ Make sure the printable side of the paper is face-up.
- ❑ Run the Head Cleaning utility to clear any clogged ink nozzles.
- ❑ If you are using UltraChrome ink, check the Paper Thickness value. Reduce the value to improve light banding, and increase it for dark banding. See “Paper Configuration settings” for Windows, and “Paper Configuration settings” for Macintosh.
- ❑ Check the Ink Out lights. If necessary, replace ink cartridges. See “Replacing Ink Cartridges”.

Vertical misalignment or banding

Try one or more of these solutions:

- ❑ Turn off the High Speed setting in your printer driver. For instructions, see the “Advanced menu” for Windows, or the “Advanced dialog box” for Macintosh.
- ❑ Run the Print Head Alignment utility. See “Using the Printer Utilities” for Windows or “Using the Printer Utilities” for Macintosh.

Incorrect or missing colors

Try one or more of these solutions:

- For Windows, check the Media Type setting in the Main menu. Make sure it is correct for the paper you are using.

For Macintosh, check the Media Type setting in the Print dialog box. Make sure it is correct for the paper you are using.

- Make sure the printable side of the paper is face-up.
- Run the Head Cleaning utility. See “Using the Printer Utilities” for Windows or “Using the Printer Utilities” for Macintosh.

If colors are still incorrect or missing, replace one or all ink cartridges. See “Replacing Ink Cartridges”.

- Adjust the color settings in your application or your printer driver. See your application’s documentation.

Faint printout or gaps

Try one or more of these solutions:

- Make sure that the ink cartridges do not exceed the expiry date. The expiry date is labeled on the outside of the ink cartridge.
- For Windows, check the Media Type setting in the Main menu. Make sure it is correct for the paper you are using.

For Macintosh, check the Media Type setting in the Print dialog box. Make sure it is correct for the paper you are using.

- ❑ Run the Head Cleaning utility to clear any clogged ink nozzles. See “Using the Printer Utilities” for Windows or “Using the Printer Utilities” for Macintosh.
- ❑ Check the Ink Out lights. If necessary, replace ink cartridges. See “Replacing Ink Cartridges”.
- ❑ Select thinner paper in the SelecType mode. Check the paper number setting in the Paper Configuration menu. See “SelecType Settings”.
- ❑ The platen gap may be too wide for your paper. Change the platen gap setting from WIDE to STANDARD in the Printer Setting menu of the SelecType mode. See “SelecType Settings”.

Blurry or smeared printout

Try one or more of these solutions:

- ❑ For Windows, check the Media Type setting in the Main menu. Make sure it is correct for the paper you are using.

For Macintosh, check the Media Type setting in the Print dialog box. Make sure it is correct for the paper you are using.

- ❑ If the paper you are using is not supported by the printer driver, set the paper thickness using the SelecType setting. See “SelecType Settings”.
- ❑ Make sure your paper is dry and the printable side is face-up. Also, make sure you are using the correct type of paper. See “Paper” for specifications.
- ❑ Ink may have leaked inside the printer; wipe the inside of the printer with a soft, clean cloth.

- ❑ Run the Head Cleaning utility. See “Using the Printer Utilities” for Windows and “Using the Printer Utilities” for Macintosh.
- ❑ Select thicker paper in the SelecType mode. Check the paper number setting in the Paper Configuration menu. See “SelecType Settings”.
- ❑ The platen gap may be too narrow for your paper. Set the platen gap setting to WIDE in the Printer Setting menu of the SelecType mode. See “SelecType Settings”.

Color Documents Print in Black Only

Try one or more of these solutions:

- ❑ Make sure the color data settings in your application are correct.
- ❑ Make sure Color/B&W Photo (for UltraChrome ink users) or Color (for ColorFast and dye ink) is set in the “Main Menu” for Windows or “Print dialog box” for Macintosh.

Printing Could be Faster

Try one or more of these solutions:

- ❑ To increase print speed, select the Automatic mode in the “Main Menu” for Windows or in the “Print dialog box” for Macintosh and then move the slider towards Speed.
- ❑ Do not run too many applications at the same time. Close any applications you are not using.

- ❑ Delete unnecessary files to make room on your hard disk drive.

Note:

Your computer may not have enough memory. For further tips, see “Increasing the Print Speed” (Windows only).

Roll Paper Cannot be Cut

Try one or more of these solutions:

- ❑ Make sure that the Roll Auto Cut light is on. Press the Paper Source button if necessary. Then press the Cut/Eject button. The printer cuts the roll paper.
- ❑ Cut the roll paper by hand if necessary. Check that the paper thickness of the roll paper loaded in the printer matches the paper specification (see “Paper”). If so, the paper cutter may be blunt and require replacement as described in “Replacing the Paper Cutter”.

Note:

If you use roll paper other than EPSON special media, see the user documentation included with the paper, or contact your supplier.

Paper Feed or Paper Jam Problems Occur Frequently

Try one or more of these solutions:

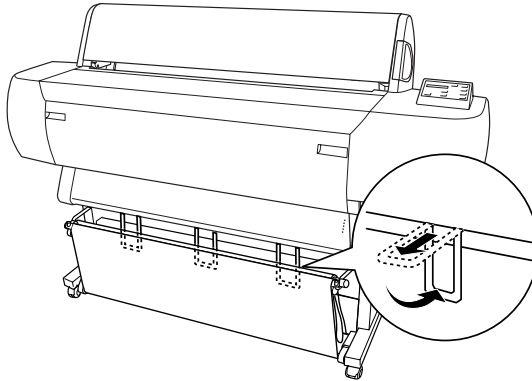
- ❑ Secure the roll paper you are not using with the roll paper belt when two roll paper spindles are installed. See “Using the roll paper belt”.

- ❑ Before loading paper and guiding it through the paper insertion slot, make sure the roll paper is wound up firmly. Position the bottom edge of the paper straightly and in line with the rows of punch holes on the printer.
- ❑ Make sure the paper is not folded or wrinkled.
- ❑ Make sure printing occurs within the operational temperature range.
- ❑ Make sure the paper is not damp.
- ❑ Make sure the paper is not too thick or too thin. See “Paper”.
- ❑ Make sure no foreign objects are inside the printer.
- ❑ For Windows, check the Media Type setting in the Main menu. Make sure it is correct for the paper you are using.

For Macintosh, check the Media Type setting in the Print dialog box. Make sure it is correct for the paper you are using.
- ❑ Make sure that the platen gap setting matches your paper. You can change the platen gap setting in the Printer Setting menu of the SelecType mode. See “SelecType Settings”.
- ❑ For paper other than EPSON's, check the paper type selected in the Paper Configuration menu of the SelecType mode. See “Setting the paper thickness”.

Roll Paper does not Eject Properly

Roll paper is wound tightly and may feed with a curl. If so, extend the three paper guides out from the lower printer.

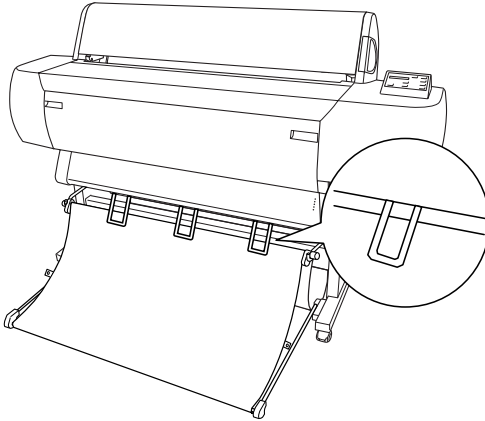


Caution:

The paper guides only need to be used when the paper feeds with a curl. At other times, keep the paper guides pushed in, otherwise your printouts may be damaged.

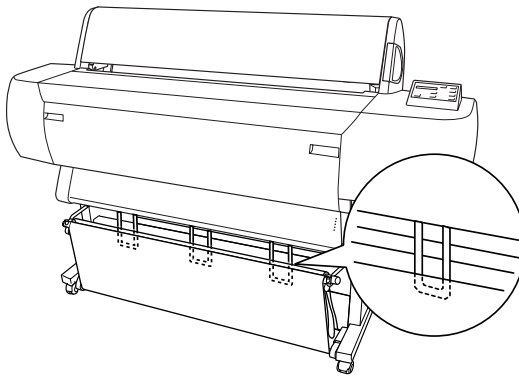
When feeding paper forward

Extend the paper guides out from the printer so they rest on the front of the paper basket.



When feeding paper backward

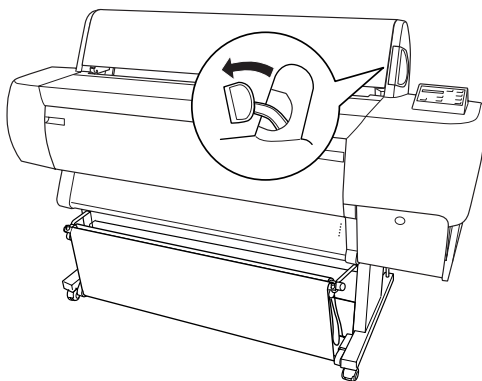
Extend the paper guides out from the printer so that they rest on the back of the paper basket.



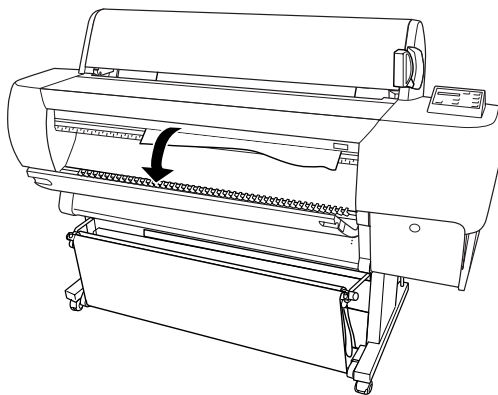
Clearing Paper Jams

To remove jammed paper, follow these steps:

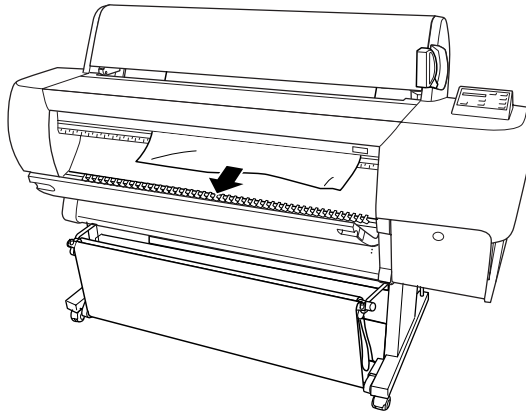
1. If roll paper is jammed, cut the paper at the paper insertion slot.
2. Set the paper lever to the released position to release the paper.



3. Open the front cover if necessary.



- Carefully pull down the jammed paper. **TURN PWR OFF AND ON** is displayed on the LCD panel.



- Close the front cover, if necessary, then press the Power button to turn the printer off and back on.
- Make sure that the Paper Out light is on and **LOAD PAPER** is displayed on the LCD panel. To load paper see “Using Roll Paper” or “Using Cut Sheet Media”.

Note:

When you install two roll paper spindles, secure the roll paper that you are not using with the roll paper belt packed with your printer. See “Using the roll paper belt”.

If you do not resume printing afterwards, make sure the print heads are in the home (far right) position. If not, turn the printer on, wait until the print heads move to the home position, then turn off the printer.



Caution:

If the print heads are not left in the home position, print quality may decline.

Troubleshooting on the Optional Auto Take-up Reel Unit

Try one or more of these solutions:

- ❑ The roll paper may not have sufficient slack around the auto take-up reel unit. Make sure that there is adequate slack between the roll paper and the take-up reel core. See “Loading roll paper onto the take-up reel core”.
- ❑ The Auto switch on the auto take-up reel unit may not be positioned for the direction you want. Select a direction using the Auto switch on the control box. See “Taking-up your prints”.
- ❑ If the sensor light flashes slowly when you are not printing, there may be an external obstruction between the emitter and detector, or sensor adjustment may not be set properly. Check for an obstruction in the sensor detection area, or adjust the sensor position. See “Adjusting the sensor”.
- ❑ If the sensor light is still flashing, the printer will print the job for approximately three meters and stop printing. Set the paper lever to the released position, then check that the roll paper is set properly and that there is no external obstruction in the sensor detection area. If the roll paper is not set properly, wind the excess paper up and set the paper lever to the secured position.
- ❑ If the sensor light is flashing rapidly, the auto take-up reel unit is locked. Turn the printer off and on again.
- ❑ If the sensor light is off, the sensor cable may not be connected properly. Check the connection of the sensor cables.

Contacting Customer Support

If your EPSON product is not operating properly and you cannot solve the problem using the troubleshooting information in your product documentation, contact customer support services for assistance. If customer support for your area is not listed below, contact the dealer where you purchased your product.

Customer support will be able to help you much more quickly if you give them the following information:

- Product serial number
(The serial number label is usually on the back of the product.)
- Product model
- Product software version
(Click About, Version Info, or similar button in the product software.)
- Brand and model of your computer
- Your computer operating system name and version
- Names and versions of the software applications you normally use with your product

Select your country:

"Germany"	"Hungary"	"France"	"Norway"
"Yugoslavia"	"Austria"	"Slovak Republic"	"Spain"
"Sweden"	"Greece"	"Netherlands"	"Czek. Republic"
"United Kingdom"	"Republic of Ireland"	"Italy"	"Turkey"
"Belgium"	"Poland"	"Denmark"	"Croatia"

"Cyprus"	"Luxemburg"	"Bulgaria"	"Finland"
"Macedonia"	"Portugal"	"Switzerland"	"Romania"
"Slovenia"	"Estonia"	"Latvia"	"Lithuania"
"Israel"	"Middle East"	"South Africa"	"Bosnia Herzgovina"

"Argentina"	"Chile"	"Costa Rica"	"Peru"	"USA (Latin America)"
"Brazil"	"Colombia"	"Mexico"	"Venezuela"	"USA"

Germany

EPSON Service Center c/o Exel Hünxe GmbH

Werner-Heisenberg-Strasse 2

46569 Hünxe

France

Support Technique EPSON France,

0 892 899 999 (0,34 E/minute)

Ouvert du lundi au samedi de 9h00 à 20h00 sans interruption

<http://www.epson.fr/support/selfhelp/french.htm> pour accéder à l'**AIDE EN LIGNE**.

<http://www.epson.fr/support/services/index.shtml> pour accéder aux **SERVICES** du support technique.

Centres de maintenance

<p>AJACCIO CIM Le Stiletto - Lot N° 5 20090 AJACCIO</p>	<p>Tél : 04.95.23.73.73 Fax : 04.95.23.73.70</p>
<p>AMIENS FMA 13, rue Marc Sangnier 8000 AMIENS</p>	<p>Tél : 03.22.22.05.04 Fax : 03.22.22.05.01</p>
<p>ANNECY (td) MAINTRONIC Parc des Glaisins Immeuble Prosalp 14, rue Pré Paillard 74940 ANNECY Le Vieux</p>	<p>Tél : 04.50.10.21.30 Fax : 04.50.10.21.31</p>
<p>AVIGNON MAINTRONIC Anthéa, rue du Mourelet ZI de Courtine III 84000 AVIGNON</p>	<p>Tél : 04.32.74.33.50 Fax : 04.32.74.05.89</p>
<p>BASTIA (td) CIM Immeuble Albitreccia Avenue du Maichione 20200 LUPINO</p>	<p>Tél : 04.95.30.65.01 Fax : 04.95.30.65.01</p>
<p>BAYONNE (td) MAINTRONIC Espace Arga Le Forum - Bât 33 64100 BAYONNE</p>	<p>Tél : 05.59.57.30.35 Fax : 05.59.57.30.36</p>
<p>BORDEAUX FMA Parc d'activités Chemin Long Allée James Watt - Immeuble Space 3 33700 MERIGNAC</p>	<p>Tél : 05.56.34.85.16 Fax : 05.56.47.63.18</p>

<p>BORDEAUX MAINTRONIC 11/19 rue Edmond Besse Immeuble Rive Gauche 33300 BORDEAUX</p>	<p>Tél : 05.57.10.67.67 Fax : 05.56.69.98.10</p>
<p>BOURGES (td) BEGELEC 18, avenue du 11 Novembre 18000 BOURGES</p>	<p>Tél : 02.48.67.00.38 Fax : 02.48.67.98.88</p>
<p>BREST FMA 8, rue Fernand Forest 29850 GOUESNOU</p>	<p>Tél : 02.98.42.01.29 Fax : 02.98.02.17.24</p>
<p>CAEN MAINTRONIC Rue de Bellevue ZI Est 14650 CARPIQUET</p>	<p>Tél : 02.31.71.22.10 Fax : 02.31.71.22.19</p>
<p>CAEN TMS 17, rue des Métiers 14123 CORMELLES LE ROYAL</p>	<p>Tél : 02.31.84.80.82 Fax : 02.31.84.80.83</p>
<p>CLERMONT FMA 14, rue Léonard de Vinci Bât H - ZI La Pardieu 63000 CLERMONT FERRAND</p>	<p>Tél : 04.73.28.59.60 Fax : 04.73.28.59.65</p>
<p>DIJON FMA 60, rue du 14 Juillet Parc des Grands Crus 21300 CHENOVE</p>	<p>Tél : 03.80.51.17.17 Fax : 03.80.51.23.00</p>

GRENOBLE (td) FMA 2 rue Mayencin 38400 ST MARTIN D'HERES	Tél : 04.38.37.01.19 Fax : 04.76.44.78.92
GRENOBLE MAINTRONIC Les Akhesades Bât B. Rue Irène Joliot Curie 38320 EYBENS	Tél : 04.76.25.87.87 Fax : 04.76.25.88.10
LE HAVRE FMA 33, bd de Lattre de Tassigny 76600 LE HAVRE	Tél : 02.32.74.27.44 Fax : 02.35.19.05.35
LE MANS BEGELEC 117, rue de l'Angevinière 72000 LE MANS	Tél : 02.43.77.18.20 Fax : 02.43.77.18.28
LILLE FMA 99 rue Parmentier - Bât A 59650 VILLENEUVE D'ASCQ	Tél : 03.20.71.47.30 Fax : 03.20.61.07.90
LILLE MAINTRONIC Synergie Park 9, avenue Pierre et Marie Curie 59260 LEZENNES	Tél : 03.20.19.04.10 Fax : 03.20.19.04.19
LIMOGES MAINTRONIC 43 rue Cruveilhaer 87000 LIMOGES	Tél : 05.55.10.36.75 Fax : 05.55.77.44.00
LYON FMA 136, chemin Moulin Carron 69130 ECULLY	Tél : 04.78.35.38.65 Fax : 04.78.35.24.99

<p>LYON MAINTRONIC 9, allée du Général Benoist ZAC du Chêne 69500 BRON</p>	<p>Tél : 04.72.14.95.00 Fax : 04.78.41.81.96</p>
<p>LYON Centre MAINTRONIC 4, quai Jules Courmont 69002 LYON</p>	<p>Tél : 04.72.56.94.85 Fax : 04.72.56.94.89</p>
<p>MARSEILLE FMA 305 ZA de Mourepiane 467, Chemin du Littoral 13322 MARSEILLE CX 13</p>	<p>Tél : 04.91.03.13.43 Fax : 04.91.03.13.72</p>
<p>MARSEILLE MAINTRONIC Bât D1 - Actiparc II Chemin de St LAMBERT 13821 LA PENNE SUR HUVEAUNE</p>	<p>Tél : 04.91.87.83.93 Fax : 04.91.87.83.94</p>
<p>METZ MAINTRONIC TECHNOPOLE 2000 6, rue Thomas Edison 57070 METZ</p>	<p>Tél : 03.87.76.98.30 Fax : 03.87.76.31.15</p>
<p>MONTPELLIER MAINTRONIC Parc Ateliers Technologiques 2, avenue Einstein 34000 MONTPELLIER</p>	<p>Tél : 04.67.15.66.80 Fax : 04.67.22.50.91</p>
<p>MULHOUSE FMA 106, rue des Bains 68390 SAUSHEIM</p>	<p>Tél : 03.89.61.77.88 Fax : 03.89.31.05.25</p>

<p>NANCY FMA 3 rue du Bois Chêne le Loup 54500 VANDOEUVRE CEDEX</p>	<p>Tél : 03.83.44.44.00 Fax : 03.83.44.10.20</p>
<p>NANTES FMA 1105 avenue Jacques Cartier Bât B4 44800 ST HERBLAIN</p>	<p>Tél : 02.28.03.10.73 Fax : 02.28.03.10.71</p>
<p>NANTES MAINTRONIC 5 rue du Tertre 44470 CARQUEFOU</p>	<p>Tél : 02 51 85 22 70 Fax : 02 51 85 22 71</p>
<p>NICE FMA 329, avenue des PUGETS Bât A.2 - Le Réal 06700 ST LAURENT DU VAR</p>	<p>Tél : 04.93.14.01.70 Fax : 04.93.14.01.73</p>
<p>NICE MAINTRONIC Les terriers Nord Immeuble Les Sporades 500, allée des Terriers 06600 ANTIBES</p>	<p>Tél : 04.92.91.90.90 Fax : 04.93.33.98.63</p>
<p>NIORT MAINTRONIC Technopole Venise Verte Pépinière d'entreprises 3, rue Archimède 79000 NIORT</p>	<p>Tél : 05.49.77.11.78 Fax : 05.49.77.11.73</p>
<p>ORLEANS (fd) FMA 21, bd Marie Stuart 45000 ORLEANS</p>	<p>Tél : 02.38.83.50.23 Fax : 02.38.83.50.25</p>

<p>PARIS 10^{ème} FMA 50 Quai de Jemmapes 75010 PARIS</p>	<p>Tél : 01.42.01.15.15 Fax : 01.42.01.14.15</p>
<p>PARIS 12^{ème} BEGELEC 182, rue de Charenton 75012 PARIS</p>	<p>Tél : 01.44.68.83.01 Fax : 01.44.68.83.02</p>
<p>PARIS 13^{ème} MAINTRONIC Immeuble Berlier 15, rue JB Berlier 75013 PARIS</p>	<p>Tél : 01.44.06.99.44 Fax : 01.44.24.05.06</p>
<p>PARIS 14^{ème} FMA 63, rue de Gergovie 75014 PARIS</p>	<p>Tél : 01.45.45.57.65 Fax : 01.45.39.48.86</p>
<p>PARIS EST (td) BEGELEC 3, allée Jean Image 77200 TORCY</p>	<p>Tél : 01.60.06.02.02 Fax : 01.60.06.02.60</p>
<p>PARIS NORD FMA 30, av. du vieux Chemin de St Denis 92390 VILLENEUVE LA GARENNE</p>	<p>Tél : 01.40.85.98.08 Fax : 01.47.92.00.85</p>
<p>PARIS SUD BEGELEC Immeuble Femto 1, avenue de Norvège 91953 LES ULIS</p>	<p>Tél : 01.64.46.44.01 Fax : 01.69.28.83.22</p>
<p>PAU MAINTRONIC 375, bd Cami Sallié 64000 PAU</p>	<p>Tél : 05.59.40.24.00 Fax : 05.59.40.24.25</p>

<p>REIMS FMA Parc technologique H. Farman 12, allée Fonck 51100 REIMS</p>	<p>Tél : 03.26.97.80.07 Fax : 03.26.49.00.95</p>
<p>RENNES FMA 59 bd d'Armorique Square de la Mettrie 35700 RENNES</p>	<p>Tél : 02.23.20.25.25 Fax : 02.23.20.04.15</p>
<p>RENNES MAINTRONIC Parc d'affaires de la Bretèche Bât 2 35760 RENNES ST GREGOIRE</p>	<p>Tél : 02.99.23.62.23 Fax : 02.99.23.62.20</p>
<p>ROUEN TMS ZI de la Vatine 31, rue A. Aron 76130 MONT ST AIGNAN</p>	<p>Tél : 02.35.59.68.69 Fax : 02.35.59.68.70</p>
<p>STRASBOURG FMA Parc d'activités Point Sud 3C rue du Fort 67118 GEISPOSHEIM</p>	<p>Tél : 03.88.55.38.18 Fax : 03.88.55.41.55</p>
<p>STRASBOURG MAINTRONIC Parc d'activités 10, rue Jean Monnet 67201 ECKOLSHEIM</p>	<p>Tél : 03.88.77.23.24 Fax : 03.88.77.25.02</p>

TOULON (td) FMA 64 route de Capelane ZA la Capelane Parc Burotel 83140 SIX FOURS	Tél : 04.94.63.02.87 Fax : 04.94.63.42.55
TOULOUSE FMA Buroplus - BP 365 31313 LABEGE CEDEX	Tél : 05.61.00.54.22 Fax : 05.61.00.52.01
TOULOUSE MAINTRONIC 7, avenue de l'Europe 31520 RAMONVILLE ST AGNE	Tél : 05.61.73.11.41 Fax : 05.61.73.80.06
TOURS BEGELEC 25, rue des Granges Galand Zl des Granges Galand 37550 ST AVERTIN	Tél : 02.47.25.10.60 Fax : 02.47.25.10.72
TROYES (td) BEGELEC 15, rue des Epingliers 10120 St ANDRE LES VERGERS	Tél : 03.25.49.78.96 Fax : 03.25.49.78.97
VALENCIENNES TMS 83, rue de Famars 59300 VALENCIENNES	Tél : 03.27.46.58.58 Fax : 03.27.46.58.59

Spain

EPSON IBÉRICA, S.A.

Avda. Roma 18-26, 08290 Cerdanyola, Barcelona, España

Tel.: 34.93.5821500

Fax: 34.93.5821555

CENTRO DE ATENCIÓN AL CLIENTE

Tel.: 902 40 41 42

Fax: 93 582 15 16

E-mail: soporte@epson.es

www.epson.es

www.epson.es/support/

SERVICIOS OFICIALES DE ASISTENCIA TÉCNICA EPSON

POBLACION	PROVINCIA	EMPRESA	TELEFONO	FAX	DIRECCION	CP
ALBACETE	ALBACETE	DEPARTAMENTO TÉCNICO INFORMÁTICO S.A.L.	967/50.6 9.10	967/50.6 9.09	C/ FRANCISCO PIZARRO, 13 BAJOS	02004
ALICANTE	ALICANTE	RPEI	96/510.2 0.53	96/511.4 1.80	C/ EDUARDO LANGUCHA, 17 BAJOS	03006
ALMERIA	ALMERIA	MASTER KIT S.A.	950/62.1 3.77	950/27.6 8.28	C/SIERRA ALHAMILLA Ed.Celulosa, 1,2ºpl.	04007
OVIEDO	ASTURIAS	COMERCIAL EPROM, S.A.	98/523.0 4.59	98/527.3 0.19	AV. DE LAS SEGADAS, 5 BAJOS	33006
OVIEDO	ASTURIAS	LABEL MICROHARD, S.L.	98/511.3 7.53	98/511.3 7.53	C/. FERNÁNDEZ DE OVIEDO, 38, BJO.	33012
BADAJOS	BADAJOS	INFOMECS S.C.	924/24.1 9.19	924/22.9 0.36	C/ VICENTE DELGADO ALGABA, 10	06010
BADAJOS	BADAJOS	PAITRON BADAJOZ	902/24.2 0.24	924/24.1 8.97	AV. Mª AUXILIADORA, 7	06011
MÉRIDA	BADAJOS	PAITRON MÉRIDA	924/37.1 6.06	924/37.1 5.91	C/ PUERTO RICO, 2	06800
PALMA DE M.	BALEARES	BALEAR DE INSTALACIONES Y MANT. SL	971/24.6 4.55	971/24.5 1.02	C/ MANACOR, 82 A BAJOS	07006
BARCELONA	BARCELONA	BSMICROTECMANT. INFORMÁTIC S.L.	93/243.1 3.23	93/340.3 8.24	C/. PALENCIA, 45	08027

BARCELONA	BARCELONA	MADE S.A. BARCELONA	93/423.0 0.48	93/423.3 8.93	C/ RICART, 33	08004
BARCELONA	BARCELONA	MICROVIDEO	93/265.1 5.75	93/265.4 4.58	AVDA DIAGONAL, 296	08013
CERDANYOLA	BARCELONA	OFYSAT S.L.	93/580.8 7.87	93/580.8 9.96	C/ FONTETES, 3-5, Local 1	08290
BARCELONA	BARCELONA	RIFÉ ELECTRÓNICA S.A.	93/453.1 2.40	93/323.6 4.70	C/ ARIBAU, 81	08036
SANTBOI	BARCELONA	SELTRON S.L.	93/652.9 7.70	93/630.8 1.04	C/ INDUSTRIA, 44-46	08830
GRANOLLERS	BARCELONA	SIC INFORMÁTICA	93/870.1 2.00	93/870.1 2.62	C/ ÀNGEL GUIMERÀ, 16	08400
MANRESA	BARCELONA	TELESERVICIO	93/873.5 6.23	93/877.0 0.34	AV. TUDELA, 44	08240
BURGOS	BURGOS	MANHARD S.L.	947/22.1 1.09	947/22.0 9.19	AVDA CASTILLA-LEÓN, 46	09006
CÁCERES	CÁCERES	PAITRON CÁCERES	902/21.4 0.21	927/21.3 9.99	C/ GABINO MURIEL, 1	10001
PTO.SANTA.Mª	CÁDIZ	ELSE INFORMÁTICA S.L.	956/87.5 3.48	956/87.2 5.07	ANGLADA,PAR.9.E D.B1 BIS, EL PALMAR	11500
JEREZ	CÁDIZ	NEW SERVICE S.L.	956/18.3 8.38	956/18.5 5.85	C/ ASTA, 18	11404
LAS PALMAS	CANARIAS	MEILAND	928/29.2 2.30	928/23.3 8.92	C/ NÉSTOR DE LA TORRE, 3 OFIC.1	35006
LAS PALMAS	CANARIAS	G.B. CANARIAS SERVICIOS, S.L.	902/11.4 7.54	928/25.4 1.21	C/. PÍO CORONADO, 88, LOCAL A	35012
SANTANDER	CANTABRIA	INFORTEC, S.C.	942/23.5 4.99	942/23.9 8.42	C/. JIMÉNEZ DÍAZ, 1	39007
CASTELLÓN	CASTELLÓN	INFORSAT S.L.	964/22.9 4.01	964/22.9 4.05	C/ CRONISTA REVEST, 30 BAJOS	12005
ALCAZAR	CIUDAD REAL	GRUPO DINFOR ALCÁZAR	926/54.5 5.62	926/54.5 7.67	C/ DR. BONARDELL, 37	13600
CIUDAD REAL	CIUDAD REAL	GRUPO DINFOR C. REAL	926/25.4 2.25	926/23.0 4.94	C/. TOLEDO, 34	13003

CÓRDOBA	CÓRDOBA	SETESURANDALUCIA S.L.	957/48.5 8.46	957/48.5 8.54	C/ REALEJO, 6 (PASAJE)	14002
GIRONA	GIRONA	PROJECTES COM-TECH, S.L.	972/24.1 1.35	972/40.1 1.85	PLAZA DE LA ASUNCION, 35	17005
GRANADA	GRANADA	INTELCO ASISTENCIA TÉCNICA S.L.	958/13.2 1.79	958/13.2 2.09	C/ PRIMAVERA, 20	18008
SAN SEBASTIAN	GUIPUZCOA	ELECTRÓNICA GUIPUZCOANA	943/46.8 6.40	943/45.5 7.01	C/ BALLENEROS, 4 BAJOS	20011
HUELVA	HUELVA	AVITELSAT HUELVA	959/54.3 8.82	959/54.3 7.07	C/. CONDE DE LÓPEZ MUÑOZ, 32	21006
JAEN	JAEN	OFIMÁTICA JAEN S.L.	953/28.0 1.44	953/28.1 0.77	C/ ORTEGA NIETO, 20 POL.OLIVARES	23009
LA CORUÑA	LA CORUÑA	HARDTEC GALICIA	981/23.7 9.54	981/24.7 6.92	AV. LOS MALLOS, 87, BJO. B	15007
LOGROÑO	LA RIOJA	REYMAR, S.L.	941/24.2 6.11	941/25.0 3.12	C/. ALBIA DE CASTRO, 10	26003
LEÓN	LEÓN	MACOISAT, S.L.	987/26.2 5.50	987/26.2 9.52	AV. FERNÁNDEZ LADREDA, 27, BJO.	24005
LEÓN	LEÓN	PROSYSTEM	987/22.1 1.97	987/24.8 8.97	C/. JUAN DE LA COSA, 14	24009
TORRE FARRERA	LLEIDA	RICOMACK S.A.	973/75.1 5.33	973/75.1 6.21	POL. IND. DEL SEGRIÀ, S/N	25126
MADRID	MADRID	GRUPO PENTA S.A.	91/543.7 3.03	91/543.5 3.04	C/ BLASCO DE GARAY, 63	28015
MADRID	MADRID	MADE S.A. MADRID	91/570.6 2.92	91/570.6 5.71	C/ ROSA DE SILVA ,4	28020
MADRID	MADRID	MICROMA S.A.	91/304.6 8.00	91/327.3 9.72	C/ STA. LEONOR,61	28037
MADRID	MADRID	SETECMAN S.L.	91/571.5 4.06	91/572.2 2.40	C/ INFANTA MERCEDES , 31 1º	28020
MADRID	MADRID	BS MICROTEC MADRID, S.L.	91/300.5 2.82	91/300.5 2.83	C/ MOTA DEL CUERVO, 26, LOCAL	28043
MADRID	MADRID	TEDUIN S.A.	91/327.5 3.00	91/327.0 5.00	C/ALBALÁ, 10	28037
MÁLAGA	MÁLAGA	COVITEL MÁLAGA	95/231.6 2.50	95/233.9 8.50	C/ CERAMISTAS, 8, P.IND.SAN RAFAEL	29006
MURCIA	MURCIA	RED TECNICA EUROPEA, S.L.	968/27.1 8.27	968/27.0 2.47	AV. RONDA DE LEVANTE, 43, BJO.	30008

PAMPLONA	NAVARRA	INFORMÉTRICA IRUÑA, S.L.	948/27.9 8.12	948/27.9 2.89	ERMITAGAÑA, 1 BAJOS	31008
VIGO	PONTEVEDRA	SERVICIOS INFORMÁTICOS DEL ATLÁNTICO S.L	986/26.6 2.80	986/28.1 3.83	C/ PÁRROCO JOSÉ OTERO, 3	36206
SALAMANCA	SALAMANCA	EPROM-1	923/18.5 8.28	923/18.6 9.98	C/ GUADALAJARA, 9-11	37003
SEVILLA	SEVILLA	AMJ TECNOLAN, S.L.	95/491.5 7.91	95/491.5 2.14	AV.CJAL.ALBERTO JNEZ.BEC.,6.AC. D	41009
SEVILLA	SEVILLA	AVITELSAT SEVILLA	95/492.3 3.93	95/463.5 8.73	C/ ESPINOSA Y CARCEL 31	41005
TARRAGONA	TARRAGONA	TGI (TECNOLOGIA I GESTIÓ INFORM. S.L.)	977/23.5 6.11	977/21.2 5.12	AV. FRANCESC MACIÀ, 8 D BAIXOS	43002
VALENCIA	VALENCIA	ATRON INGENIEROS S.A.	96/385.0 0.00	96/384.9 2.07	C/ HÉROE ROMEU, 8 B	46008
VALENCIA	VALENCIA	GINSA INFORMÁTICA S.A.	96/362.2 1.15	96/393.2 6.96	C/ ERNESTO FERRER, 16 B	46021
VALLADOLID	VALLADOLID	VIG ⁺ PRINT	983/20.7 6.12	983/30.9 5.05	BAILARÍN VICENTE ESCUDERO, 2	47005
BILBAO	VIZCAYA	DATA SERVICE, S.L.	94/446.7 9.86	94/446.7 9.87	C/ MATICO,29	48007
BILBAO	VIZCAYA	ATME BILBAO	94/441.9 1.98	94/427.6 3.12	C/ RODRÍGUEZ ARIAS, 69-71 GC	48013
ZARAGOZA	ZARAGOZA	OFYSAT, S.L.	976/30.4 0.10	976/32.0 3.73	C/ ANTONIO SANGENIS, 16	50050
ZARAGOZA	ZARAGOZA	INSTRUMENTACIÓN Y COMPONENTES S.A.	976/01.3 3.00	976/01.0 9.77	ED.EXPO ZARAGOZA,CRTA. MADRID,S/N KM.315, N-3, PTA. 1	50014

United Kingdom

EPSON (UK) Ltd.

Campus 100, Maylands Avenue,

Hemel Hempstead, Hertfordshire HP2 7TJ

United Kingdom

Tel.: +44 (0) 1442 261144

Fax: +44 (0) 1422 227227

www.epson.co.uk

Stylus Products Warranty & Support

08705 133 640

Scanner Products Warranty & Support

08702 413 453

Sales

0800 220 546

Republic of Ireland

Stylus Products Warranty & Support

01 679 9016

Other Products Warranty & Support

01 679 9015

Sales

1 800 409 132

www.epson.co.uk

Italy

EPSON Italia s.p.a.

Viale F.lli Casiraghi, 427

20099 Sesto San Giovanni (MI)

Tel.: 02.26.233.1

Fax: 02.2440750

Assistenza e Servizio Clienti

TECHNICAL HELPDESK

02.29400341

www.epson.it

ELENCO CENTRI ASSISTENZA AUTORIZZATI EPSON

AEM SERVICE S.R.L. Via Verolengo, 20 00167 ROMA Tel : 06-66018020 Fax : 06-66018052	DATA SERVICE S.R.L. Via S. Allende, 22a 50018 SCANDICCI (FI) Tel : 055-250752 Fax : 055-254111	QUICK COMPUTER SERVICE Viale Louise Pasteur, 23 a/b/c 70124 BARI Tel : 080-5044351 Fax : 080-5618810
A.T.E.S. ELETTRONICA S.R.L. Via Lulli, 28/b 10148 TORINO Tel : 011-2202525 Fax : 011-2204280	ELECTRONIC ASSISTANCE CENTRE Via Bazzini, 17 20131 MILANO Tel : 02-70631407 Fax : 02-70631301	QUICK COMPUTER SERVICE Via P. Manerba, 12 71100 FOGGIA Tel : 0881-331123 Fax : 0881-339133
A.T.S. S.N.C. Via della Repubblica, 35 a/b/c 40127 BOLOGNA Tel : 051-515313 Fax : 051-513241	ELETTRONICA CAROLINA ALOISIO & C. S.A.S. Via Generale Arimondi, 99 90143 PALERMO Tel : 091-308118 Fax : 091-6263484	RAVEZZI ANGELO HARDWARE SERVICE Via Avogadro, 6/10 47037 RIMINI Tel : 0541-373686 Fax : 0541-374844
A.T.S. S.N.C. Via Carbonia, 14 09125 CAGLIARI Tel : 070-657955 Fax : 070-659755	GSE S.R.L. Via Rimassa, 183r 13129 GENOVA Tel : 010-5536076 Fax : 010-5536113	REGA ELETTRONICA S.N.C. Via Gentileschi, 25/27 56123 PISA Tel : 050-560151 Fax : 050-560135

<p>C.A.M.U. S.N.C. Via Grandi, 4 33170 PORDENONE Tel : 0434-572949 Fax : 0434-573005</p>	<p>HARD SERVICE S.R.L. Z.A.3 Via del progresso, 2 35010 PERAGA DI VIGONZA (PD) Tel : 049-8933951 Fax : 049-8933948</p>	<p>S.T.E. S.N.C. di Ciarrocchi A. & C. Via Settimo Torinese, 5 65016 MONTESILVANO (PE) Tel : 085-4453664 Fax : 085-4456860</p>
<p>COMPUTER LAB S.N.C. Via Quaranta, 29 20141 MILANO Tel : 02-5391224 Fax : 02-5695198</p>	<p>INFORMAINT S.N.C. Via Prunizedda, 94 07100 SASSARI Tel / Fax: 079-290953</p>	<p>TECMATICA S.R.L. Via S. Bargellini, 4 00157 ROMA Tel : 06-4395264 Fax : 06-43534628</p>
<p>COMPUTER LAB S.N.C. Via Pelizza da Volpedo, 1 20092 CINISELLO BALSAMO (MI) Tel : 02-6174175 Fax : 02-6127926</p>	<p>JAM S.R.L. Piazza Principale, 9 39040 ORA* AUER (BOLZANO) Tel : 0471-810502 Fax : 0471-811051</p>	<p>TECNOASSIST S.N.C. Via Roma, 44/d 22046 MERONE (CO) Tel : 031-618605 Fax : 031-618606</p>
<p>COMPUTER LAB S.N.C. Via F.lli Calvi, 4 24122 BERGAMO Tel : 035-4243216 Fax : 035-238424</p>	<p>LYAN S.N.C. Via Vercelli, 35 S.S. 230 13030 VERCELLI Loc. Caresanablot Tel : 0161/235254 Fax : 0161/235255</p>	<p>TECNOASSIST S.N.C. Via C. Cattaneo, 9 21013 GALLARATE (VA) Tel : 0331-791560 Fax : 0331-793882</p>
<p>COMPUTER SERVICE 2 S.N.C. Via Divisione Acqui, 70 25127 BRESCIA Tel : 030-3733325 Fax: 030-3733130</p>	<p>MEDIEL S.N.C. Via Ugo Bassi, 34 98123 MESSINA Tel : 090-695962 / 695988 Fax : 090-694546</p>	<p>TECNOASSIST S.N.C. Via F.lli Rosselli 20 20016 PERO - Loc. Cerchiate (MI) Tel : 02-33913363 Fax : 02-33913364</p>

<p>COMPUTER SERVICE 2 S.N.C. Via V. Guindani, 10 26100 CREMONA Tel/Fax : 0372-435861</p>	<p>MEDIEL S.N.C. filiale di Catania Via Novara, 9 95125 CATANIA (CT) Tel : 095-7169125 Fax : 095-7160889</p>	<p>TECNO STAFF S.R.L. Via Vivaldi, 19 00199 ROMA Tel : 06-8606173 Fax : 06-86200117</p>
<p>COMPUTER SERVICE 2 S.N.C. Via P. Savani, 12/C 43100 PARMA Tel : 0521-941887 Fax : 0521-940757</p>	<p>MICROTECNICA S.N.C. Via Lepanto, 83 80125 NAPOLI Tel : 081-2394460 Fax : 081-5935521</p>	<p>TECNO STAFF S.R.L. Via A. Manzoni, 263/265 06087 PONTE S.GIOVANNI (PG) Tel : 075-5997381 Fax : 075-5999623</p>
<p>COMPUTER SERVICE 2 S.N.C. Via Mantovana, 127/D 37137 VERONA Tel : 045/8622929 Fax : 045/8625007</p>	<p>PRINTER SERVICE S.R.L. Via U. Boccioni, 25/27 88048 S.Eufemia LAMEZIA TERME (CZ) Tel : 0968-419276 Fax : 0968-419109</p>	<p>TUSCIA TECNO STAFF S.R.L. Via Cardarelli, 14 01100 VITERBO Tel : 0761-270603 Fax : 0761-274594</p>
<p>CONERO DATA S.A.S. Via della Repubblica, 7 60020 SIROLO (AN) Tel/Fax : 071-9331175</p>	<p>QUAIZ S.N.C. Via San Paolo, 5/h Loc. Badia a Settimo 50018 SCANDICCI (FI) Tel : 055-720561 Fax : 055-720180</p>	

Portugal

EPSON Portugal, S.A.

Rua Gregório Lopes Lote 1514 Restelo

1400 - 197 Lisboa

Tel.: 21 303 54 00

Fax: 21 303 54 90

TECHNICAL HELPDESK
808 200015

www.epson.pt

Austria

ASC Buromaschinen GmbH

Kettenbruckengasse 16

1052 Wien

Tel. 01 / 58966-0

Fax. 01 / 5867726

www.artaker.com

Netherlands

CARD IS B.V.

Ambachsweg

3606 AP Maarssen

Belgium

MDR (ARC)

H. Dom. Saviolaan 8

1700 Dilbeek

Denmark

Warranty & Support

80 88 11 27

Sales

38 48 71 37

www.epson.dk

Finland

Warranty & Support

0800 523 010

Sales

(09) 8171 0083

www.epson.fi

Croatia

RECRO d.d.

Trg Sportova 11

10000 Zagreb

Tel.: 00385 1 3650774

Fax: 00385 1 3650798

Email: servis@recro.hr

epson@recro.hr

Macedonia

DIGIT COMPUTER ENGINEERING

3 Makedonska brigada b.b

upravna zgrada R. Konkar -

91000 Skopje

Tel.: 00389 91 463896 oppure

00389 91 463740

Fax: 00389 91 465294

E-mail: digits@unet.com.mk

REMA COMPUTERS

Str. Kozara, 64-B-11-

1000 Skopje

Tel.: 00389 91 118 159 oppure

00389 91 113 637

Fax: 00389 91 214 338

E-mail: slatanas@unet.com.mk oppure

rema@unet.com.mk

Slovenia

REPRO LJUBLJANA d.o.o.

Smartinska 106

1000 Ljubljana

Tel.: 00386 1 5853417

Fax: 00386 1 5400130

E-mail: bojan.zabnikar@repro.si

Luxemburg

MDR (ARC)

H. Dom. Saviolaan 8

1700 Dilbeek

Switzerland

Moosacherstrasse 6, Au, 8820 Wädenswil

Tel. 01/7822111

www.excom.ch

Hungary

R.A. Trade Kft.

Petőfi Sandor u. 64

H-2040 Budaör

Tel.: 0036.23.415.317

Fax: 0036.23.417.310

Slovak Republic

Print Trade spol. s.r.o.

Cajkoveskeho 8

SK-98401 Lucenec

Tel.: 00421.863.4331517

Fax: 00421.863.4331081

Email: Prntrd@lc.psg.SK

www.printrade.sk

Czek. Republic

EPRINT s.r.o.

Stresovicka 49

CZ-16200 Praha 6

Tel. :00420.2.20180610

Fax:00420.2.20180611

Email: eprint@mbox.vol.cz

Norway

Warranty & Support

800 11 828

Sales

23 16 21 24

www.epson.no

Sweden

Warranty & Support

08 445 12 58

Sales

08 519 92 082

www.epson.se

Yugoslavia

BS PPROCESSOR d.o.o.

Hazdi Nikole Zivkovic a 2

Beograd-F.R.

Tel.: 00381 111 328 44 88

Fax: 00381 11 328 18 70

E-mail: vule@bsprocesor.com;

goran@bsprocesor.com

gorangalic@sezampro.yu

Greece

POULIADIS ASSOCIATES CORP.

142, Sygrou Avenue

176 71 Athens

Tel.: 0030 1 9242072

Fax: 0030 1 9241066

E-mail: k.athanasiadis@pouliadis.gr

Turkey

**ROMAR PAZARLAMA SANAYI
VE TICARET A.S.**

Rihtim Cad. Tahir Han No. 201

Karaköy 80030 Istanbul

Tel.: 0090 212 252 08 09 (ext:205)

Fax: 0090 212 252 08 04

E-mail: zozenoglu@romar.com.tr

**PROSER ELEKTRONIK SANAYI
VE TICARET LIMITEDN SIRKETI**

Inönü Caddesi,

Teknik Han, No 72 Kat 3,

Gümüssuyü Istanbul

Tel.: 0090 212 252 15 75

Fax: 0090 212 244 54 79

Email: okyay@turk.net

**DATAPRO BILISIM HIZMETLERI
SAN VE TICARET LTD.STI**

Gardenya Plaza 2,

42-A Blok Kat:20 -

Atasehir Istanbul

Tel.: 0090 216 4554770

Fax: 0090 216 4554766

E-mail: cem.kalyoncu@datapro.com.tr

Cyprus

INFOTEL LTD.

CTC House

Athalassa P.O.BOX 16116 2086 Nicosia CYPRUS

Tel.: 00357 2 573310

Fax: 00357 2 487784

E-mail: yannis.k@infotel.com.cy;

george.p@infotel.com.cy

Poland

FOR EVER Sp. z.o.o.

Ul. Frankciska Kawy 44

PL- 01-496 Warszawa

Tel.: 0048.22.638.9782

Fax: 0048. 22.638.9786

Email: office@for-ever.com.pl

Bulgaria

PROSOFT

6. Al Jendov Str.

BG-1113 Sofia

Tel.: 00359.2.730.231

Fax: 00359.2.9711049

Email: Prosoft@internet-BG.BG

Romania

MB Distribution S.R. L.

162, Barbu Vacarescu Blvd. Sector 2

RO-71422 Bucharest

Tel.: 0040.1.2300314

Fax: 0040.1.2300313

Email: office@mbd-epson.ro

Estonia

Kulbert Ltd.

Saeveski 2

EE-0012 Tallinn

Tel.: 00372.6.722299

Fax: 00372-6-722349

CHS Eesti AS

Pärnu mnt. 142a

EE-11317 Tallinn

Tel.: (372)6504900

Fax.: (372)650 4916

www.chs.ee

Latvia

Sim.S.S Jsc

Basteja boulv. 14

LV-1602 Riga

Tel.: 00371.7.280380

Fax: 00371.7.820175

Email: KVV@Simss.lanet.LV

Soft-Tronik Riga Ltd.

Terbatas 78

LV-1001 Riga

Tel.: 00317.2.292943

Fax: 00317.7.310169

Email: info@soft-tronik.lv

CHS Riga

Kalnciema 12a

LV-1084 Riga

Tel.: (371) 7602051

Tel.: (371) 7613887

Lithuania

Baltic Amadeus

Akademijos 4

LT-2600 Vilnius

Tel.: 00370.2.729913

Fax: 00370.2.729909

Email: Viktoras@Ktl.mii.LT

Intac Ltd.

Jasinskio 15

LT-2600 Vilnius

Tel.: 00370.2.223623

Fax: 00370.2.223620

Email: info@intac.lt

www.intac.lt

Israel

Warranty & Support

04 8 560 380

www.epson.com

Middle East

Warranty & Support

+ 971 (0) 4 352 44 88 or 351 77 77

www.epson.com

Email Warranty & Support:

www.epson-support@compubase.co.ae

South Africa

Warranty & Support

(011) 444 8278 / 91 or 0800 600 578

For details of EPSON Express centres and Service Repair centres

<http://www.epson.co.za/support/index.htm>

Sales

(011) 262 9200 or 0800 00 5956

www.epson.co.za/

Bosnia Herzgovina

RECOS d.o.o.

Vilsonovo setaliste 10

71000 Sarajevo

Tel.: 00387 33 657 389

Fax: 00387 33 659 461

E-mail: recos@bih.net.ba oppure

edin@recos.ba

Argentina

EPSON ARGENTINA S.A.

Avenida Belgrano 964/970

(1092), Buenos Aires

Tel.: (54 11) 4346-0300

Fax: (54 11) 4346-0333

www.epson.com.ar

Brazil

EPSON DO BRASIL LTDA.

Av. Tucunaré, 720 Tamboré Barueri,

São Paulo, SP 06460-020

Tel.: (55 11) 7296-6100

Fax: (55 11) 7295-5624

www.epson.com.br

Chile

EPSON CHILE, S.A.

La Concepción 322

Providencia, Santiago

Tel.: (56 2) 236-2453

Fax: (56 2) 236-6524

www.epson.cl

Colombia

EPSON COLOMBIA, LTDA.

Diagonal 109 No. 15-49

Bogotá, Colombia

Tel.: (57 1) 523-5000

Fax: (57 1) 523-4180

www.epson.com.co

Costa Rica

EPSON COSTA RICA, S.A

Embajada Americana, 200 Sur y 300 Oeste

San José, Costa Rica

Tel.: (50 6) 296-6222

Fax: (50 6) 296-6046

www.epsoncr.com

Mexico

EPSON MÉXICO, S.A. de C.V.

Av. Sonora #150

México, 06100, DF

Tel.: (52 5) 211-1736

Fax: (52 5) 533-1177

www.epson.com.mx

Peru

EPSON PERÚ, S.A.

Av. Del Parque Sur #400

San Isidro, Lima, Perú

Tel.: (51 1) 224-2336

Fax: (51 1) 476-4049

www.epson.com

Venezuela

EPSON VENEZUELA, S.A.

Calle 4 con Calle 11-1

La Urbina Sur Caracas, Venezuela

Tel.: (58 2) 240-1111

Fax: (58 2) 240-1128

www.epson.com.ve

USA (Latin America)

EPSON LATIN AMERICA

6303 Blue Lagoon Dr., Ste. 390

Miami, FL 33126

Tel.: (1 305) 265-0092

Fax: (1 305) 265-0097

USA

EPSON AMERICA, INC

3840 Kilroy Airport Way

Long Beach, CA 90806

Tel.: (1 562) 981-3840

Fax: (1 562) 290-5051

www.epson.com

Index

A

- Accessing utilities
 - Macintosh, 178
 - Windows, 124
- Advanced Photo, 168
- Advanced settings
 - Macintosh, 169
 - Windows, 114
- Auto Cut
 - Macintosh, 175
 - Windows, 121
- Automatic mode
 - Macintosh, 167
 - Windows, 112
- Auto Rotate
 - Macintosh, 174
 - Windows, 120

B

- Background printing, 182
- Black ink information
 - Windows, 125
- Black ink replacement, 219
- Buttons, 60

C

- Cartridge option information
 - Windows, 125
- Cleaning
 - printer, 230
 - print head
 - Macintosh, 177
 - Windows, 123
- ColorSync setting, 168
- Configuration settings, 181
- Consumable products, 37
- Contacting EPSON, 273
- Customer support, 273
- Custom mode

Macintosh, 168
Windows, 113
Cut sheet media
media type, 39
using, 204

D

DMA transfer, 137

E

EPSON Monitor3, 183
EPSON special media, 39, 190
EPSON Spool Manager, 130
EPSON StatusMonitor
Macintosh, 177, 179
Windows, 123, 131
Error indication, 250

H

Head Alignment, 88
Macintosh, 177
Windows, 123

I

ICM setting, 113
Ink cartridges, 37, 215
Ink options
Macintosh, 169
Windows, 115

L

Layout dialog box, 176
Lights, 62
Loading roll paper, 196

M

Main menu, 112
Maintenance Mode, 94
Media Type setting

Macintosh, 160
Windows, 106

N

Notes for media, 190
Nozzle check pattern, 86

O

Online help
 Macintosh, 178
 Windows, 128
Options, 36
Orientation
 Macintosh, 173
 Windows, 119

P

Page line, 204
 Macintosh, 175
 Windows, 121
Paper basket, 210
Paper cutter, 226
Paper Thickness, 89
PhotoEnhance settings
 Macintosh, 171
 Windows, 117
Port configuration, 139
Printable area, 19
 Macintosh, 173
 Windows, 119
Printer driver
 Macintosh, 160
 Windows, 106
Printer Software
 uninstalling (Windows only), 154
 updating, 154
Printer utilities
 Macintosh, 176
 Windows, 122
Print head

- alignment
 - Macintosh, 177
 - Windows, 123
- cleaning, 60
 - Macintosh, 177
 - Windows, 123
- nozzle check
 - Macintosh, 177
 - Windows, 123
- Print Quality setting
 - Macintosh, 169
 - Windows, 115
- Print speed, 135
- Progress Meter, 130

R

- Reduce/Enlarge setting, 122
- Replacing
 - Black ink cartridges, 219
- Resolution, 18
- Roll paper
 - loading, 196
 - media type, 39
- Roll paper belt, 201
- Roll Paper saving
 - Macintosh, 176
 - Windows, 122
- Roll width, 121

S

- SelecType
 - menus, 67
 - mode summary chart, 70
 - setting procedure, 70
 - usage, 67
- SelecType menus
 - head alignment, 80
 - paper configuration, 77
 - printer setting, 72, 72
 - printer status, 72, 75
 - test print, 75
- Specifications
 - electrical, 21

- environmental, 22
- initialization, 22
- ink cartridges, 26
- interface, 31
- mechanical, 20
- paper, 24
- printable area, 19
- Standards and Approvals, 23

Spindle

- attaching and removing, 193
- attaching the roll paper, 191
- removing the roll paper, 192

sRGB setting, 113

Status Message, 65

Status Sheet, 92

System requirements

- Macintosh, 30
- Windows, 28

T

Technical support, 273

Text/Graph setting

- Macintosh, 168
- Windows, 113

Thick paper, 208

Transport the printer, 231

Troubleshooting, 250

U

Utility

- head cleaning
 - Macintosh, 177
 - Windows, 123
- nozzle check
 - Macintosh, 177
 - Windows, 123
- Printer and option information
 - Macintosh, 177
 - Windows, 123, 125
- print head alignment
 - Macintosh, 177
 - Windows, 123

Speed & Progress, 126
Using, 136