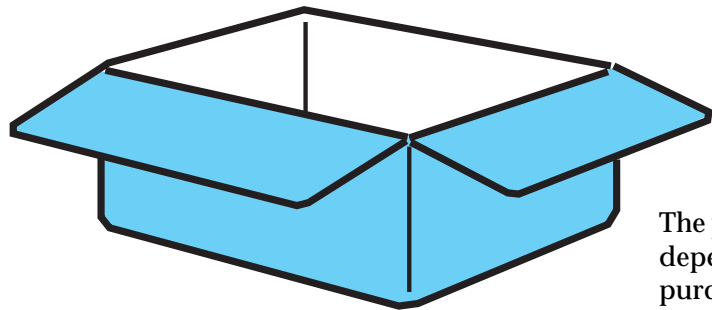


\*The power cord may come attached to the printer depending on the country of purchase.

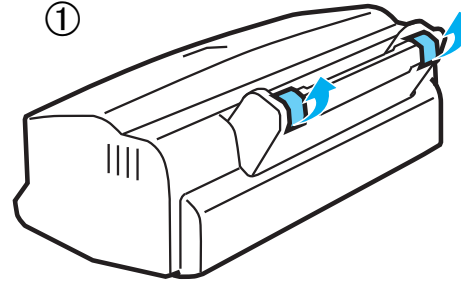


The package contents may vary depending on the country of purchase.

## Removing the Shipping Materials

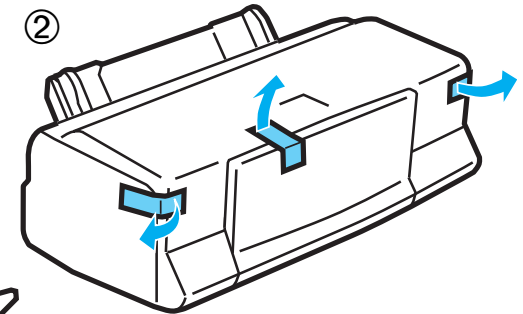
Remove the blue protective materials attached to the printer.

①

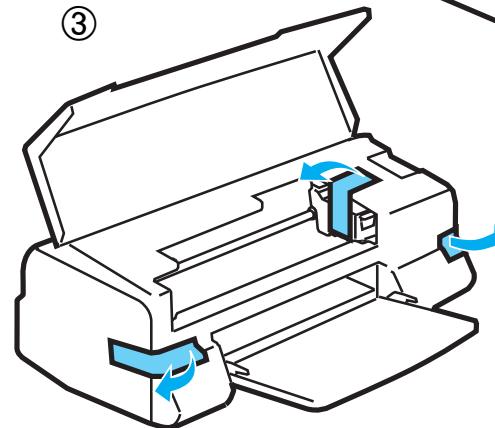


\* The power cord may come attached to the printer depending on the country of purchase.

②



③



**Next:**  
See the back side of this sheet.

# Getting Started...

## Unpacking the Printer

Follow the Setup & Daily Use Guide or the Setup Guide on the CD-ROM.

### ① Setup the printer

Attach the paper support



Plug in the printer



Install the ink cartridges



Connect to your computer



### ② Install the printer software

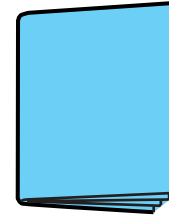
### ③ Load paper

### ④ Print your first page

You can print the README file to check the printer operation.

## Where To Find Information

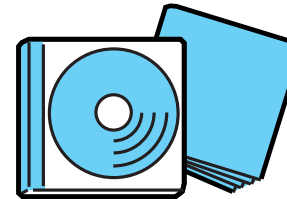
### Setup & Daily Use Guide



If you are familiar with how to use the printer, use this paper manual.

It provides you with information from setting up the printer to daily operation.

### Online Guides CD-ROM



#### Setup Guide

If you are not familiar with how to use the printer, see this guide. It provides you with information from setting up to starting to print.

#### Reference Guide\*

When you want to know more about your printer, see this guide. It provides you with further information such as the printer driver settings, printing on special paper, and troubleshooting.

#### Color Guide\*

If you want to learn more about color printing, see this guide. It explains the ABC's of color printing.

#### CD-ROM Booklet

Before using the CD-ROM, see the booklet packed with the CD-ROM.

\* The guides require that a HTML browser be installed. See the CD-ROM booklet for detailed information.