

Paper Jam Guide



Warnings must be followed carefully to avoid bodily injury.



Cautions must be observed to avoid damage to your equipment.

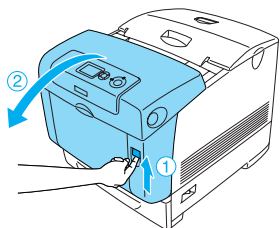
Notes: Contain information and useful tips on the operation of your printer.

When the LCD panel displays the Paper Jam XXX error message, choose the appropriate description to clear the jammed paper.

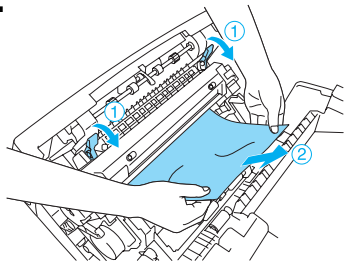
For more information, see the Online User's Guide.

Jam A

1

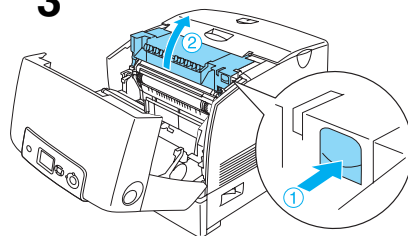


2

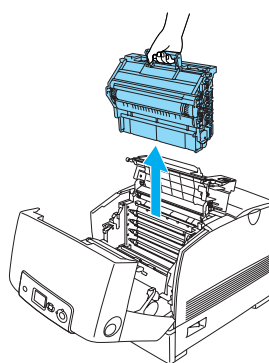


Warning:
Be careful not to touch the fuser, which is marked CAUTION HIGH TEMPERATURE, or the surrounding areas. If the printer has been in use, the fuser and the surrounding areas may be very hot.

3



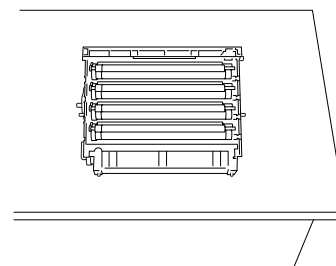
4



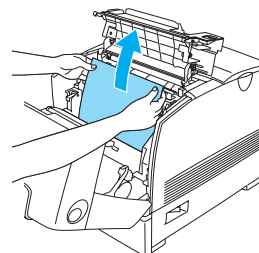
Warning:
Be careful not to touch the fuser, which is marked CAUTION HIGH TEMPERATURE, or the surrounding areas. If the printer has been in use, the fuser and the surrounding areas may be very hot.

Note:

Make sure to place the photoconductor unit on the flat surface as shown below.



5

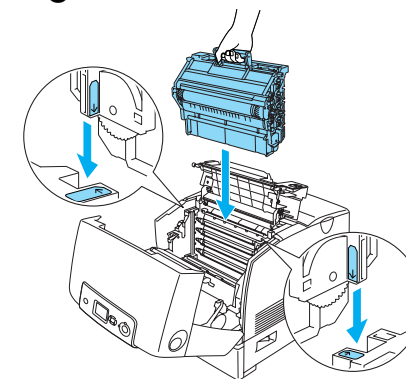


Warning:
Be careful not to touch the fuser, which is marked CAUTION HIGH TEMPERATURE, or the surrounding areas. If the printer has been in use, the fuser and the surrounding areas may be very hot.



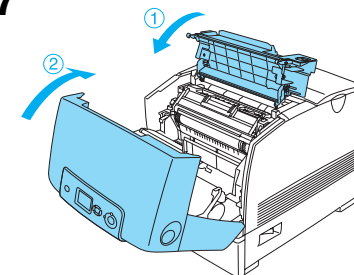
Caution:
Do not touch the rollers inside the printer.

6



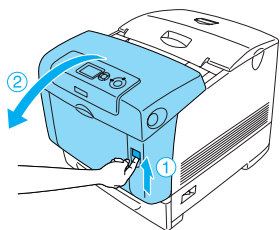
Warning:
Be careful not to touch the fuser, which is marked CAUTION HIGH TEMPERATURE, or the surrounding areas. If the printer has been in use, the fuser and the surrounding areas may be very hot.

7

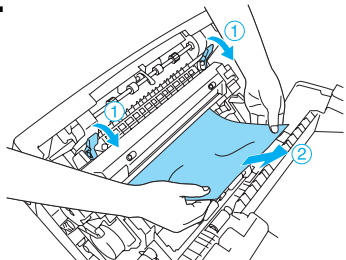


Jam A B

1

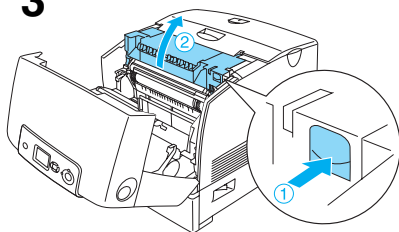


2

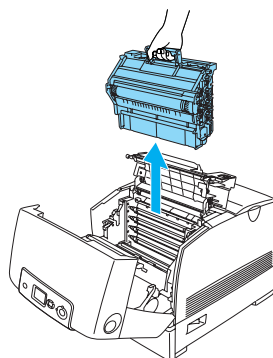


Warning: Be careful not to touch the fuser, which is marked CAUTION HIGH TEMPERATURE, or the surrounding areas. If the printer has been in use, the fuser and the surrounding areas may be very hot.

3



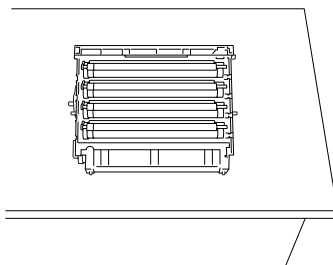
4



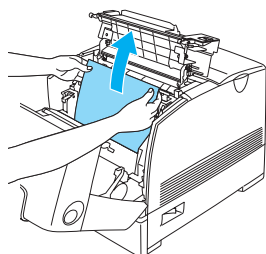
Warning: Be careful not to touch the fuser, which is marked CAUTION HIGH TEMPERATURE, or the surrounding areas. If the printer has been in use, the fuser and the surrounding areas may be very hot.

Note:

Make sure to place the photoconductor unit on the flat surface as shown below.



5

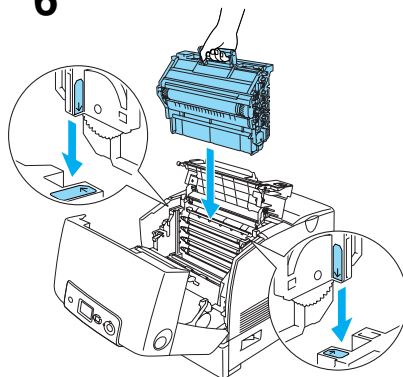


Warning: Be careful not to touch the fuser, which is marked CAUTION HIGH TEMPERATURE, or the surrounding areas. If the printer has been in use, the fuser and the surrounding areas may be very hot.



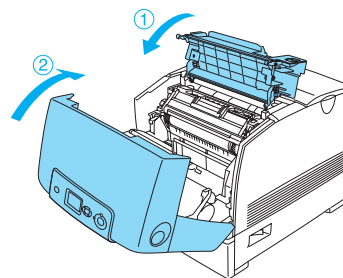
Caution: Do not touch the rollers inside the printer.

6

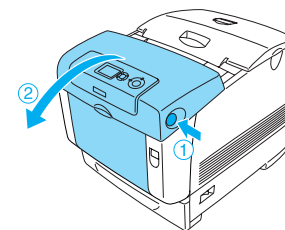


Warning: Be careful not to touch the fuser, which is marked CAUTION HIGH TEMPERATURE, or the surrounding areas. If the printer has been in use, the fuser and the surrounding areas may be very hot.

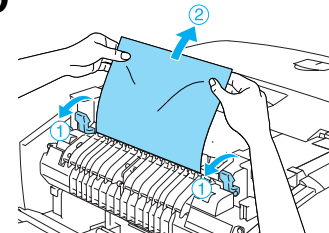
7



8

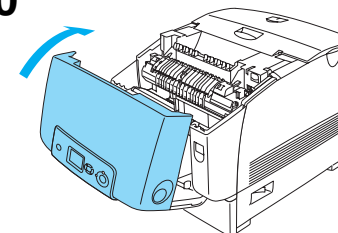


9



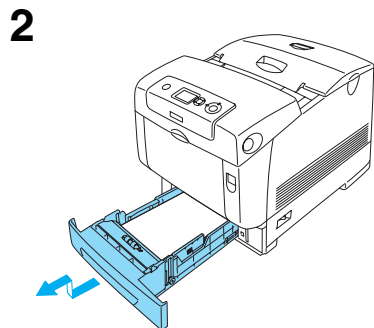
Warning: Be careful not to touch the fuser, which is marked CAUTION HIGH TEMPERATURE, or the surrounding areas. If the printer has been in use, the fuser and the surrounding areas may be very hot.

10

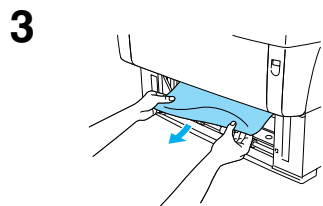


Jam C A

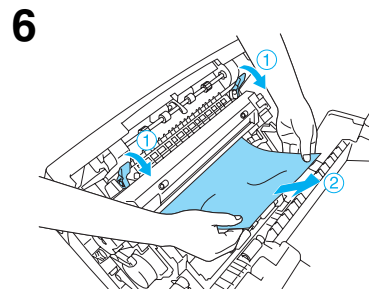
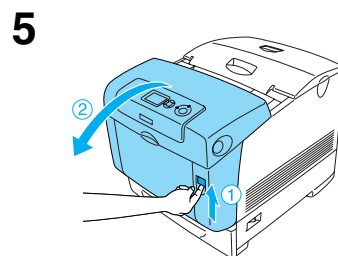
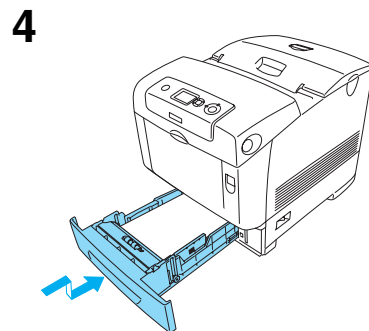
1 Remove the paper set in the MP tray. If the paper is jammed in the MP tray, gently pull out any sheets of paper with both hands.



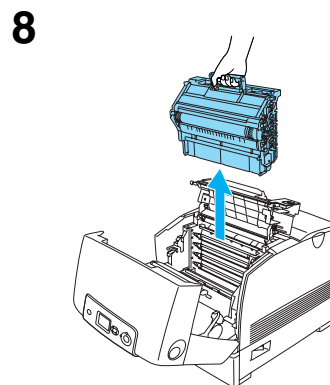
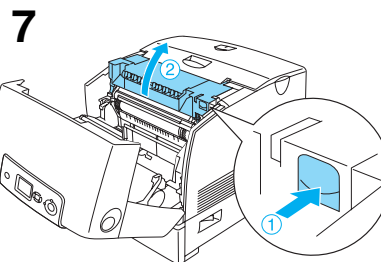
Note:
The illustration shows the standard lower cassette. If the optional paper cassette unit is installed, check the unit's cassettes in the same way.



Note:
Confirm that the jammed paper is not still deep inside the printer.

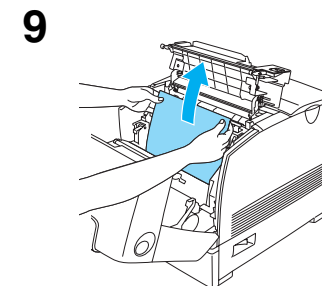
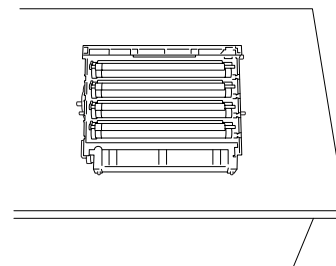


Warning:
Be careful not to touch the fuser, which is marked CAUTION HIGH TEMPERATURE, or the surrounding areas. If the printer has been in use, the fuser and the surrounding areas may be very hot.



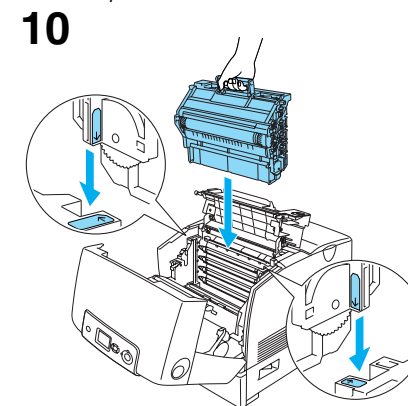
Warning:
Be careful not to touch the fuser, which is marked CAUTION HIGH TEMPERATURE, or the surrounding areas. If the printer has been in use, the fuser and the surrounding areas may be very hot.

Note:
Make sure to place the photoconductor unit on the flat surface as shown below.



Warning:
Be careful not to touch the fuser, which is marked CAUTION HIGH TEMPERATURE, or the surrounding areas. If the printer has been in use, the fuser and the surrounding areas may be very hot.

Caution:
Do not touch the rollers inside the printer.

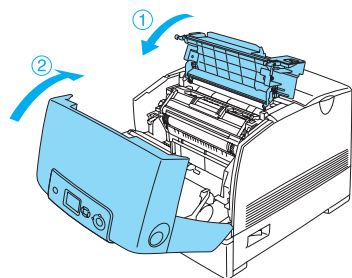


Warning:
Be careful not to touch the fuser, which is marked CAUTION HIGH TEMPERATURE, or the surrounding areas. If the printer has been in use, the fuser and the surrounding areas may be very hot.

Continue to the next page ... ➔

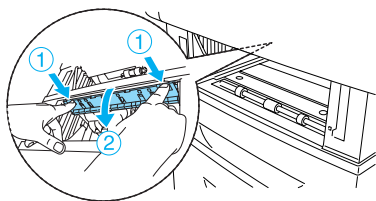
Jam C A

11



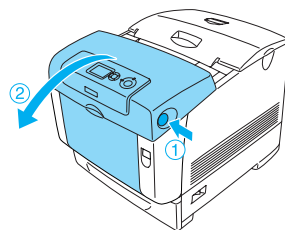
Note:

When a paper jam occurs repeatedly at the paper cassettes (Jam CA or Jam CAB), jammed or crumpled paper may still be inside the paper cassettes. Remove the paper cassettes, then open the green unit that is located on the top part of the inside of the cassette slot, and check whether any jammed paper is there. Before reinstalling the paper cassette, make sure to close the green unit completely, otherwise you may damage the printer.

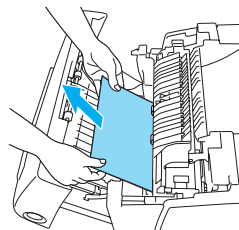


Jam B

1



2



Note:

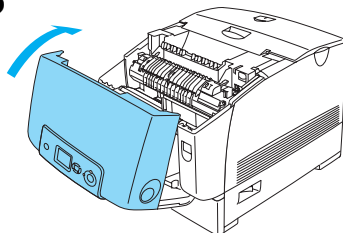
Be sure to remove the jammed paper by pulling it upward.



Warning:

Be careful not to touch the fuser, which is marked CAUTION HIGH TEMPERATURE, or the surrounding areas. If the printer has been in use, the fuser and the surrounding areas may be very hot.

3



Jam C A B

To clear the paper jam, first clear at Jam CA, and then clear at Jam B.

When transparencies are jammed at the MP tray

Remove the paper from the MP tray and remove any jammed paper. Open cover A, check that no jammed paper is left inside the cover, and close the cover to clear the message on the LCD panel. Then reload the paper. The printer resumes printing from the page that jammed.

Note:

- ❑ When using transparencies, load them in the MP tray and set the Paper Type setting to Transparency in the printer driver.
- ❑ When the Paper Type setting in the printer driver is set to Transparency, do not load any other type of paper except transparencies.