

Where to Find Information

Setup Guide (this manual)

Provides you with information on assembling the printer and installing the printer software.

Online guides



The CD-ROM shipped with your printer includes the following online guides as well as the printer driver.

Adobe® Acrobat Reader® 4.0 or later must be installed in your computer to read the *Reference Guide*, *Network Guide*, and the *Paper Jam Guide*.

Reference Guide

Provides you with detailed information on the printer's functions, optional products, maintenance, troubleshooting, and technical specifications. A *Reference Guide* icon is created on the desktop when the printer software is installed.

Network Guide

Provides network administrators with information on both the printer driver and network settings.

Paper Jam Guide

Provides you with solutions for paper jam problems that you may need to refer to on a regular basis. We recommend printing this guide and keeping it near the printer.

Online Help for printer software

Click **Help** for detailed information and instructions on the printer software that controls your printer. Online help is automatically installed when you install the printer software.

EPSON®

Laser Printer

EPL-N7000

Setup Guide

<i>1 Assembling the Printer</i>	<i>1</i>
<i>2 Readyng the Printer for Use</i>	<i>11</i>
<i>3 Installing the Printer Software</i>	<i>20</i>
<i>4 Installing Options</i>	<i>22</i>
<i>To Know More About Your Printer</i>	<i>35</i>
<i>Safety Instructions</i>	<i>37</i>

All rights reserved. No part of this publication may be reproduced, stored in a retrieval system, or transmitted in any form or by any means, mechanical, photocopying, recording, or otherwise, without the prior written permission of SEIKO EPSON CORPORATION. No patent liability is assumed with respect to the use of the information contained herein. Neither is any liability assumed for damages resulting from the use of the information contained herein.

Neither SEIKO EPSON CORPORATION nor its affiliates shall be liable to the purchaser of this product or third parties for damages, losses, costs, or expenses incurred by purchaser or third parties as a result of: accident, misuse, or abuse of this product or unauthorized modifications, repairs, or alterations to this product, or (excluding the U.S.) failure to strictly comply with SEIKO EPSON CORPORATION's operating and maintenance instructions.

SEIKO EPSON CORPORATION and its affiliates shall not be liable against any damages or problems arising from the use of any options or any consumable products other than those designated as Original EPSON Products or EPSON Approved Products by SEIKO EPSON CORPORATION.

EPSON and EPSON ESC/P are registered trademarks and EPSON ESC/P 2 is a trademark of SEIKO EPSON CORPORATION.

Microsoft and Windows are registered trademarks of Microsoft Corporation in the United States of America and other countries.

Adobe and PostScript are trademarks of Adobe Systems Incorporated, which may be registered in certain jurisdictions.

General Notice: Other product names used herein are for identification purposes only and may be trademarks of their respective owners. EPSON disclaims any and all rights in those marks.

Copyright © 2003 by SEIKO EPSON CORPORATION, Nagano, Japan.

Warnings, Cautions, and Notes



Warnings:

must be followed carefully to avoid bodily injury.



Cautions:

must be observed to avoid damage to your equipment.

Notes:

contain important information and useful tips on the operation of your printer.

1 Assembling the Printer

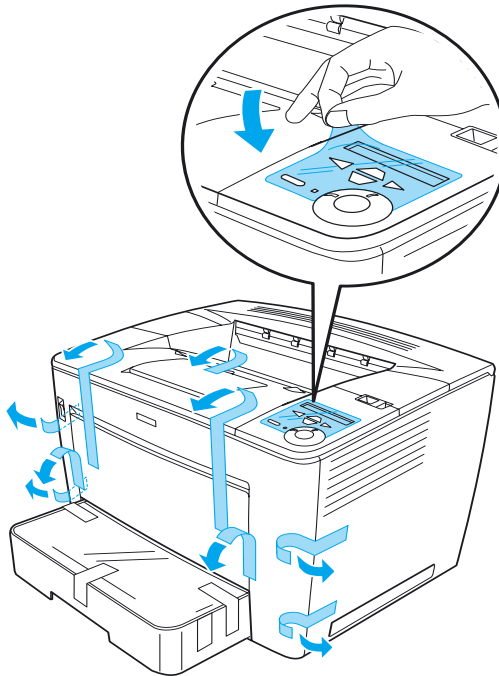
Removing the Protective Materials

Follow these steps to remove the protective materials from the printer.

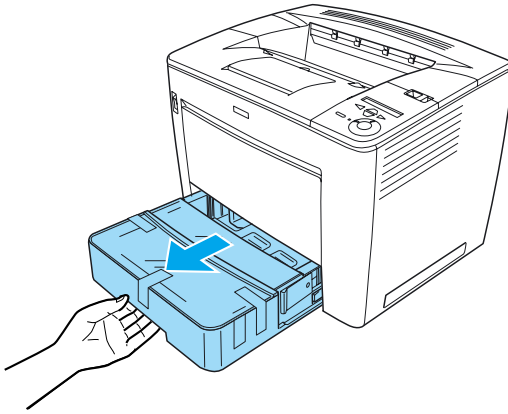
1. Remove the protective sheet on the control panel, as well as the tapes that secure the opening parts of the printer.

Note:

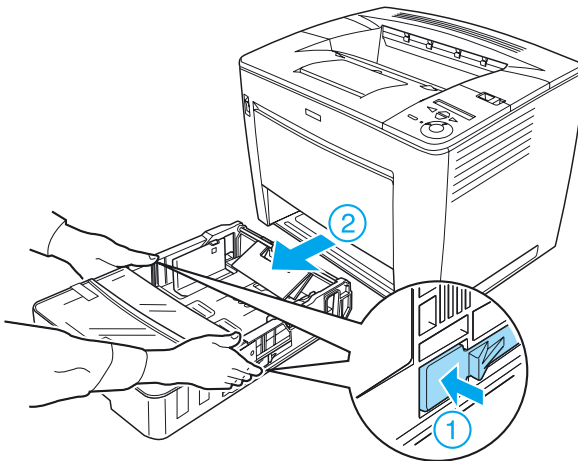
The tapes are attached at multiple locations. Make sure to remove all of them.



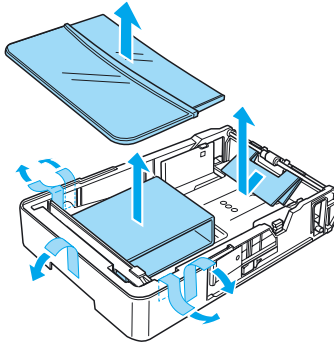
2. Pull the paper cassette out until it stops.



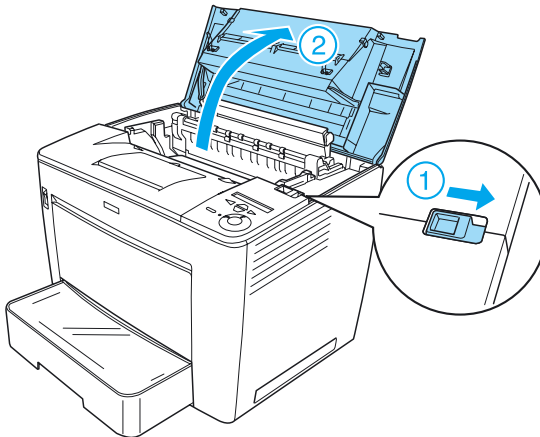
3. While pressing the gray stoppers located on both sides of the paper cassette, pull the cassette out from the printer.



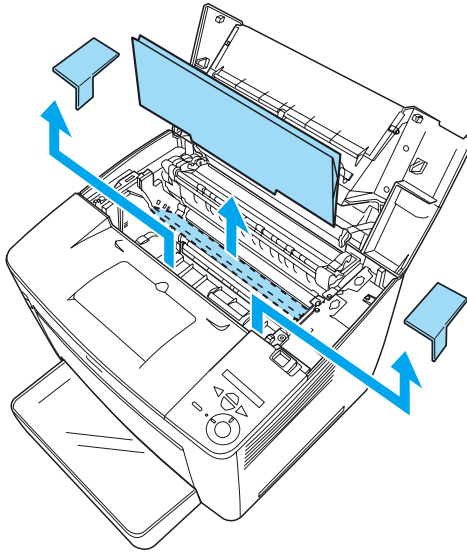
4. Remove the tapes that secure the cassette cover, and then remove the cover. Follow by removing all the tapes and protective materials inside the cassette.



5. Reinsert the paper cassette into the printer.
6. Slide the lock lever to the right, and then open the front cover.



7. Remove the protective materials from inside the printer.

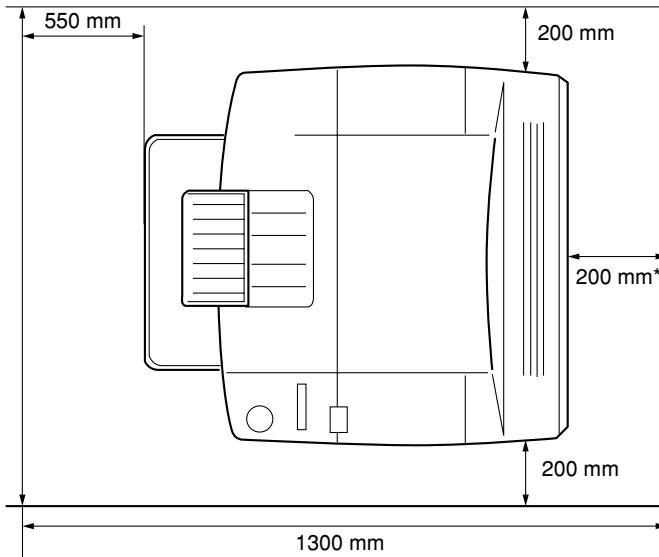


8. Close the front cover by pressing it firmly until it clicks into place.

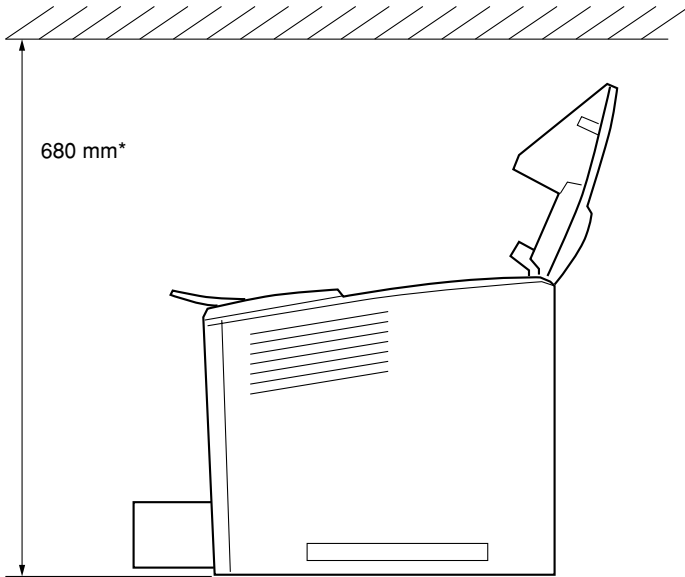
Finding a Place for the Printer

Allow adequate space for easy operation and maintenance. The illustration shows the recommended amount of space.

- ❑ Place the printer where you can easily unplug the power cord.
- ❑ Keep the entire computer and printer system away from potential sources of interference, such as loudspeakers or the base units of cordless telephones.



- * 300 mm when the optional Duplex Unit is installed, and 450 mm when the optional 4-Bin Mailbox is installed.



* 800 mm when the optional 4-Bin Mailbox is installed.



Caution:

- Avoid locations that are subject to direct sunlight, excessive heat, moisture, or dust.*
- Do not place the printer on a surface that is smaller than the printer's bottom panel. Doing so may cause troubles on printing and feeding due to the internal excessive load of the printer. Be sure to locate the printer on a flat, wide surface where the rubber pads can be placed stably.*
- Leave adequate room around the printer to allow for sufficient ventilation*

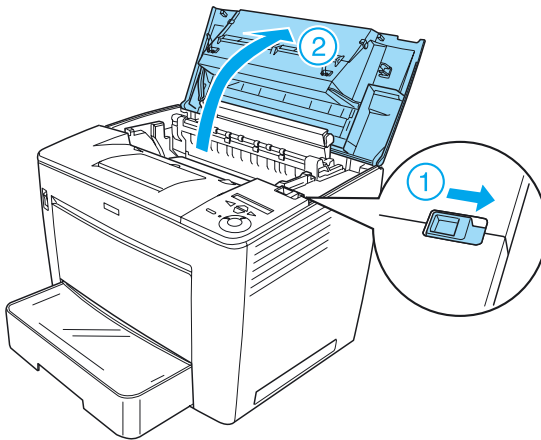
Installing the Imaging Cartridge

Handling precautions:

- ❑ When handling the imaging cartridges, always place them on a clean, smooth surface.
- ❑ If toner gets onto your skin or clothes, wash it off with soap and water immediately.
- ❑ Wait for at least one hour before installing the imaging cartridge after moving it from a cool to a warm environment to prevent damage from condensation.

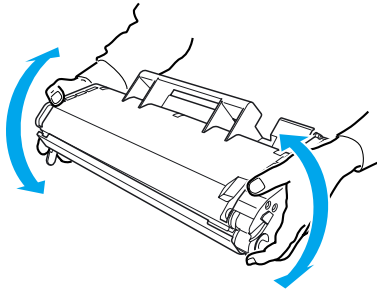
Follow these steps to install the imaging cartridge:

1. Slide the lock lever to the right, and then open the front cover of the printer.



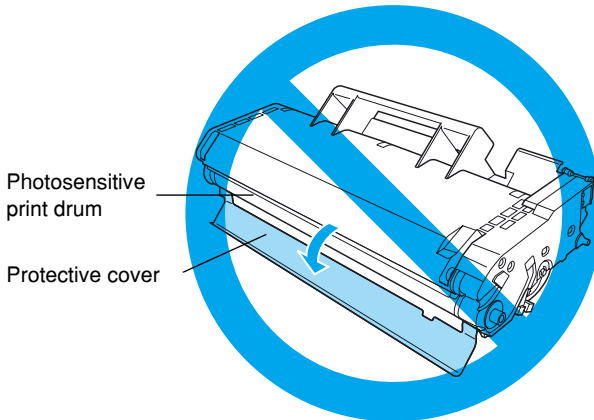
2. Remove the imaging cartridge from its package, and then remove the protective tape.

3. While holding the imaging cartridge horizontally, gently shake it a few times to distribute the toner evenly.

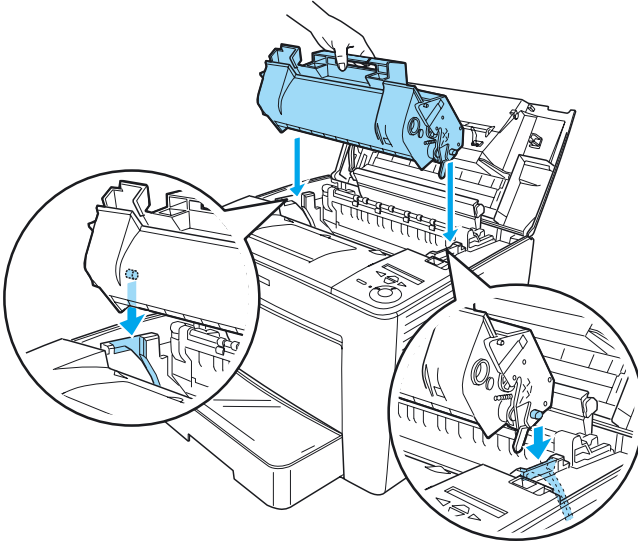


Caution:

- ❑ Never open the protective cover of the imaging cartridge or touch the photosensitive print drum (green color) inside the cover. Otherwise, print quality may decline.
- ❑ Do not hold the imaging cartridge by the protective cover while handling the cartridge.

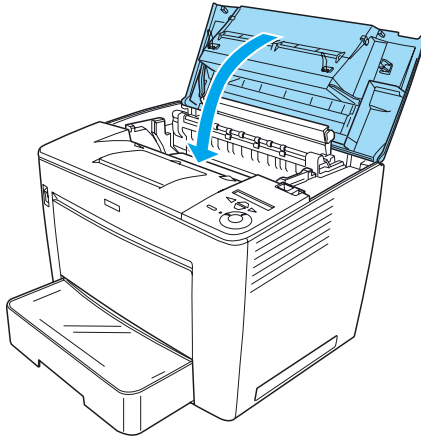


- Carefully insert the imaging cartridge into the printer, making sure that the pins on both sides of the cartridge are aligned with the grooves inside the printer. Make sure to push the cartridge into the printer until it is firmly seated in its proper position.

**Caution:**

Do not touch the roller or other parts inside the printer. Doing so may cause the printer to malfunction.

5. Close the front cover by pressing it firmly until it clicks into place.

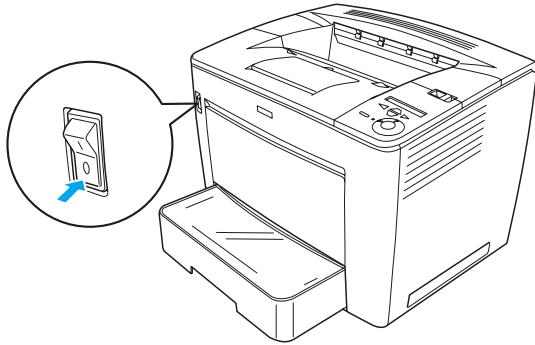


2 *Readying the Printer for Use*

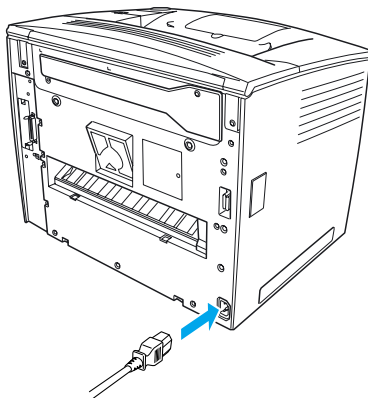
Plugging in the Printer

Follow these steps to plug in the printer:

1. Make sure the printer is turned off.



2. Insert the power cord into the back of the printer. Then plug the other end of the cable into an electrical outlet.



Loading Paper

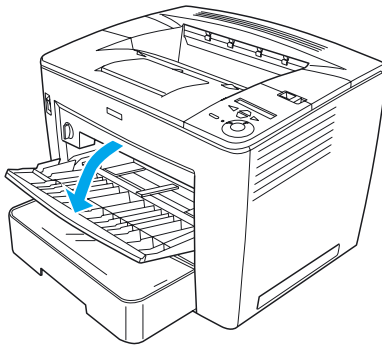
MP tray

The MP tray is the most flexible paper source, accommodating various paper sizes and media types.

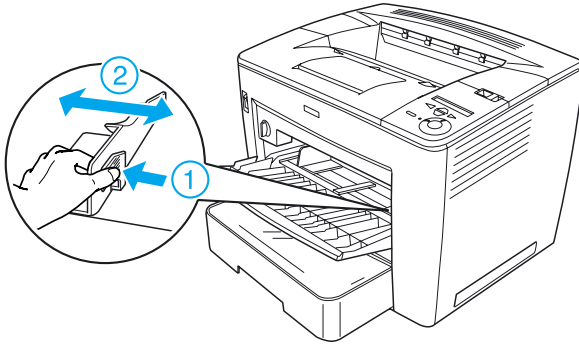
For information on the paper sizes and types supported by the standard paper cassette, see the *Reference Guide*.

Follow these steps to load paper into the MP tray:

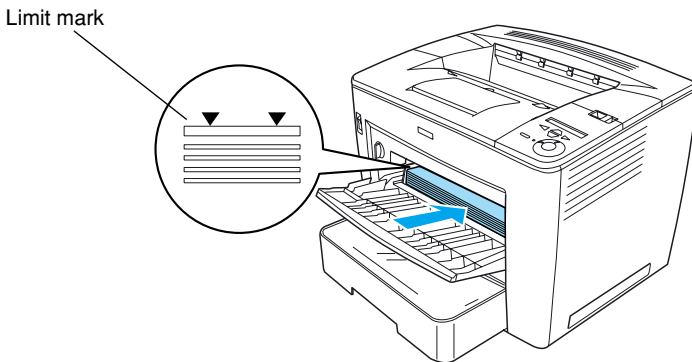
1. Open the MP tray.



2. While squeezing the guide lock on the right side of the paper guide, slide the paper guide to accommodate the paper you are loading.



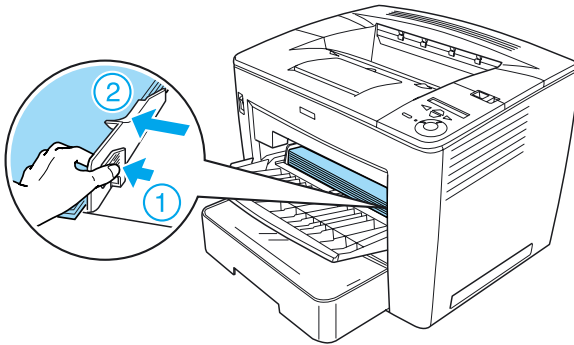
3. Set A4 or Letter paper into the tray with the printable surface facing up.



Note:

- ❑ Make sure that you do not load paper beyond the limit mark.
- ❑ To load other paper sizes, see "Paper Handling" in the Reference Guide.

4. While squeezing the guide lock on the right side of the paper guide, adjust the paper guide to the size of the paper.

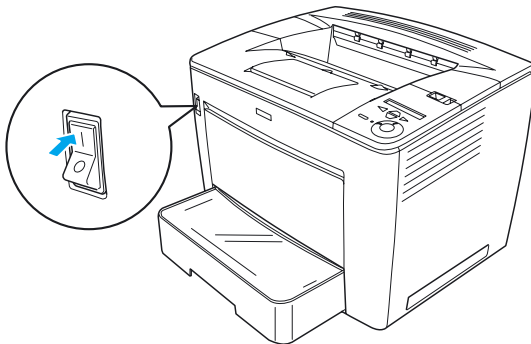



Printing a Status Sheet

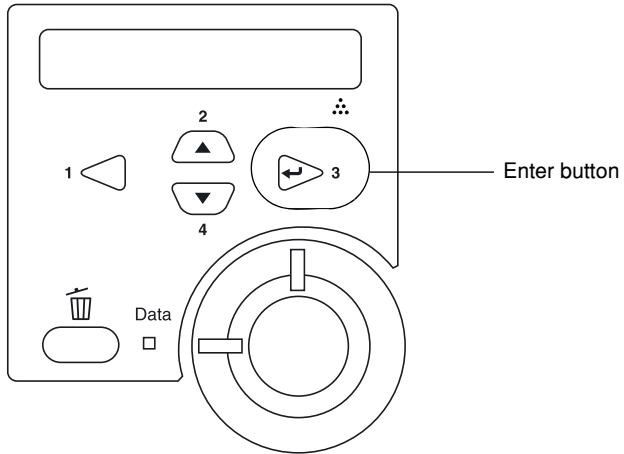
To confirm the current status of the printer, print a status sheet. A status sheet contains information about the printer, the consumable, the current settings, and the installed options, if any.

Follow these steps to print a status sheet:

1. Turn on the printer. Wait for about 70 seconds until *Ready* appears on the LCD panel.



- Press the  Enter button three times. The printer starts printing a status sheet.



Note:

If the status sheet cannot be printed, see “Problem Solver” in the Reference Guide.

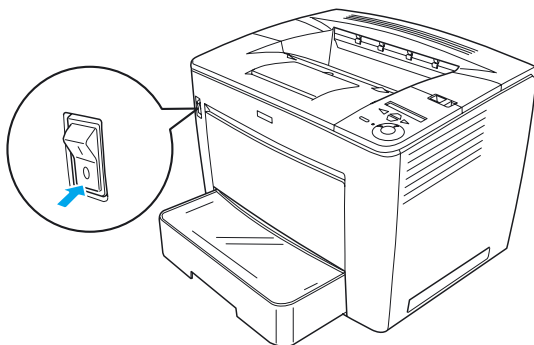
Connecting the Printer

USB interface/Parallel interface

Use a shielded, USB version 1.1 cable or twisted-pair parallel interface cable that is IEEE-1284 compatible.

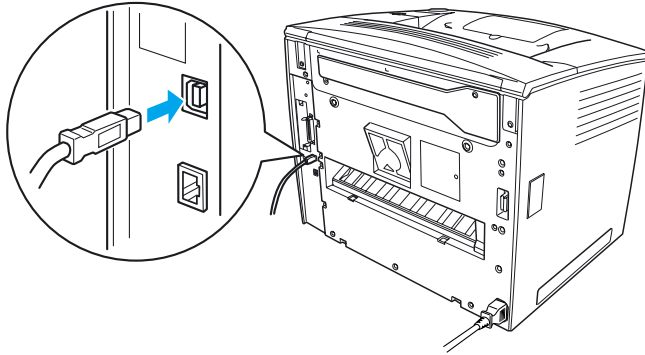
Follow these steps to connect the printer using the USB/parallel interface:

1. Make sure that both the printer and the computer are turned off.

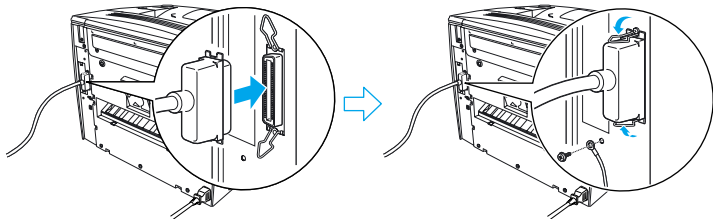


2. Plug the USB or parallel interface cable into the printer's USB or parallel connector, as shown below.

USB



parallel



3. Plug the other end of the cable into the computer's USB or parallel interface connector.

Note:

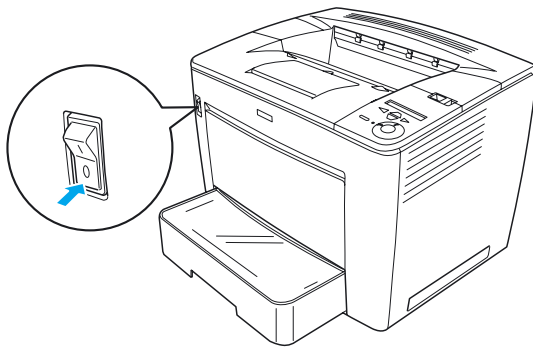
If you want to connect the printer to your computer through an installed optional interface card, you need a different type of cable. See the optional interface card's manual.

Network interface

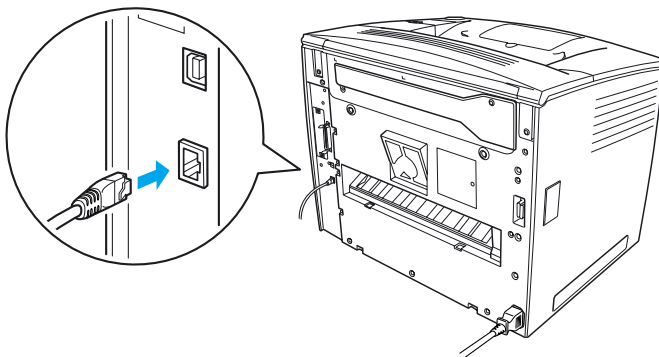
This printer comes with the network interface connection. After connecting your printer to the network, set the IP address from the printer's control panel or the provided utility.

Follow these steps to connect the printer using the network interface:

1. Make sure that both the printer and the computer are turned off.



2. Plug one end of the Ethernet cable into the printer's Ethernet connector, and then connect the other end to the network hub.



To set the printer's IP address using the control panel or the provided utility, see the *Network Guide*. You must install the *Network Guide* to use it. To install the *Network Guide*, see "Installing the Network Guide," on page 36.

3 *Installing the Printer Software*

When you install the printer software, the following components are installed.

- ❑ **Printer driver**
The printer driver gives you complete control over your printer settings when using Microsoft® Windows® Me, 98, 95, XP, 2000, and Windows NT® 4.0 (except Terminal Server Edition). With it, you can make settings such as print quality and paper size.
- ❑ **EPSON Status Monitor 3**
EPSON Status Monitor 3 allows you to view printer status information, such as the amount of toner remaining, and check for any printer errors. EPSON Status Monitor 3 requires Windows Me, 98, 95, XP, 2000, or NT 4.0.
- ❑ **Reference Guide/Paper Jam Guide**

How to Install the Printer Software

Follow these steps to install the printer software:

1. Make sure that your printer is turned off.
2. Insert the printer software CD-ROM into the CD-ROM drive.

Note:

- ❑ *If the language selection window appears, select your country.*
- ❑ *If the EPSON Installation Program screen does not appear automatically, double-click the My Computer icon, right-click the CD-ROM icon, and click OPEN in the menu that appears. Then double-click Epssetup.exe.*

3. Click **Continue**. When the software license agreement screen appears, read the statement and then click **Agree**.
4. In the dialog box that appears, click **Install Software**.



Note:

To install network utilities as an administrator, select **Install Network Utility**.

5. Click **Install**. Then follow the on-screen instructions.

About an Additional Driver

When the printer is shared among various computers (clients) in a network and the print server's operating system is Windows XP, 2000 or NT 4.0, you can install the printer driver for the client's operating system in the server as an additional driver. This allows the clients to download the appropriate printer driver from the printer server, if necessary.

See "Setting Up Your Printer on a Network" in the *Reference Guide* for details.

About printer sharing

The computers on a network can share a printer that is directly connected to one of them. For more information on printer sharing, see "Setting Up Your Printer on a Network" in the *Reference Guide*.

4 Installing Options

For information on the specifications of the options and their handling precautions, see the *Reference Guide*.

To install the optional 500-Sheet Universal Paper Cassette Unit A3, Duplex Unit, or 4-Bin Mailbox, see the instructions that come with each package.



Warning:

- Removing screws and covers that are not specified in the instructions will expose high voltage areas.

- Be careful when working inside the printer as some components have sharp edges and may cause injury.



Caution:

Before you install the Hard Disk Drive, interface card or memory module, be sure to discharge any static electricity by touching a grounded piece of metal. Otherwise, you may damage static-sensitive components.

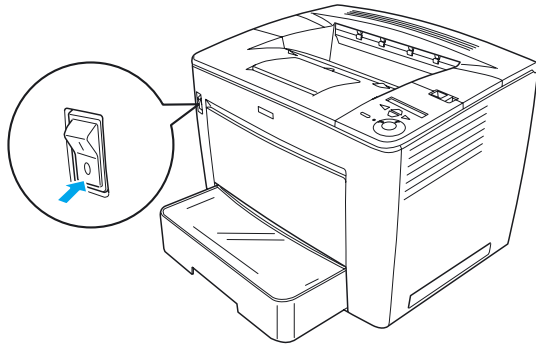
To confirm that the Hard Disk Drive, memory module and interface card are installed correctly, print a status sheet. See “Printing a Status Sheet” on page 14 for instructions.

After installing options, you need to make necessary settings for the installed options in the printer driver. See the section under “Installing Options” in the *Reference Guide* for instructions.

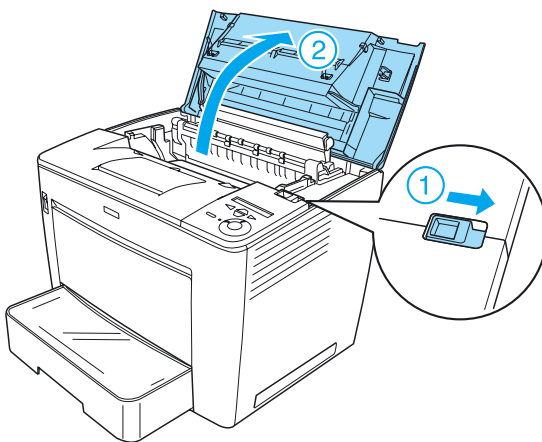
Before Installing the Hard Disk Drive or Memory Module

Follow these steps to prepare the printer for the installation of a hard disk drive or memory module:

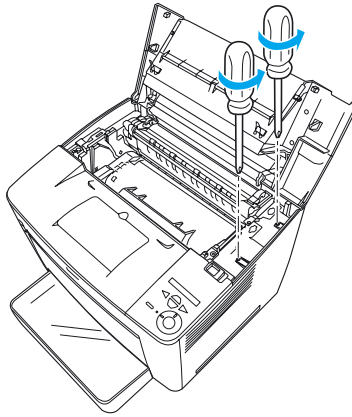
1. Make sure the printer is turned off and the power cord and interface cables are unplugged.



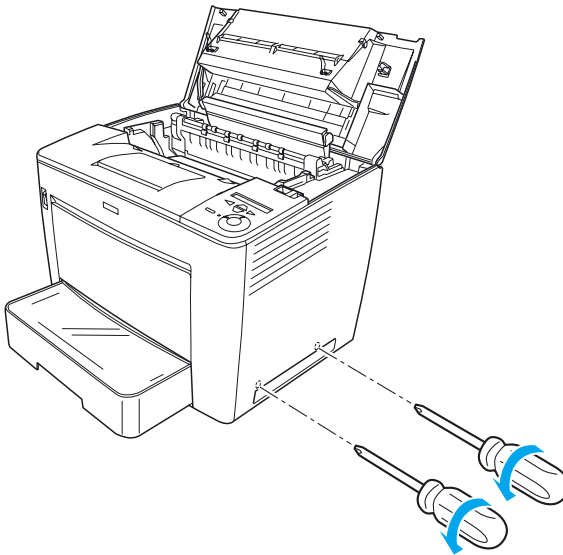
2. Slide the lock lever to the right, and then open the front cover.



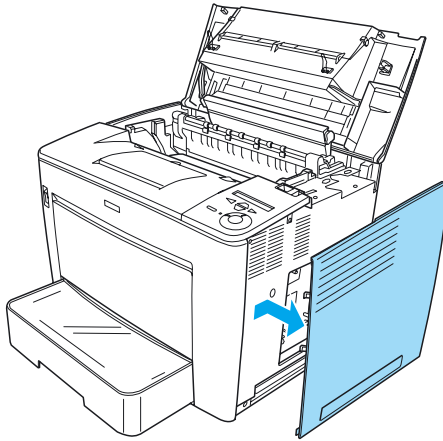
3. Loosen the two screws located on the top-right edge of the printer.



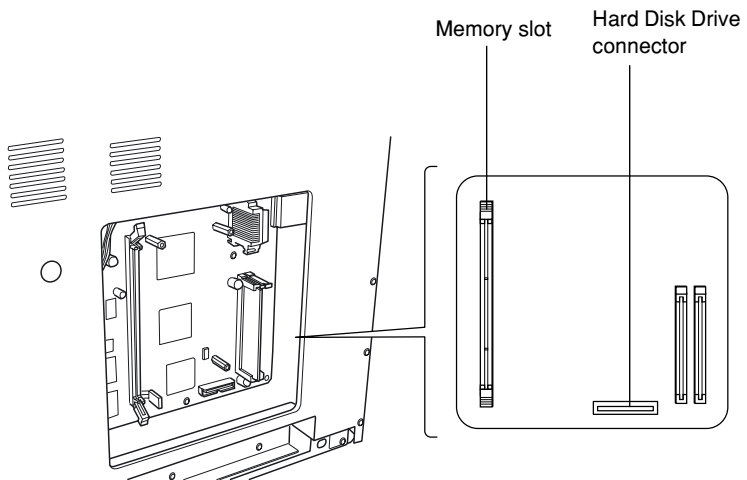
4. Remove the two screws located near the bottom-right edge of the printer.



5. Remove the right cover.



6. Identify the Hard Disk Drive connector and the installation slot for the memory module on the circuit board. Their positions are shown below.



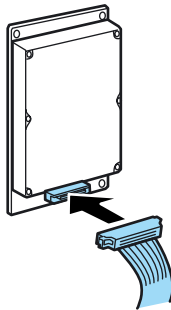
Hard Disk Drive

Follow these steps to install the Hard Disk Drive:

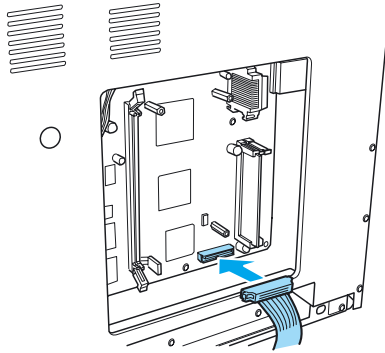
Note:

There are two cables included with the Hard Disk Drive. Use the shorter cable.

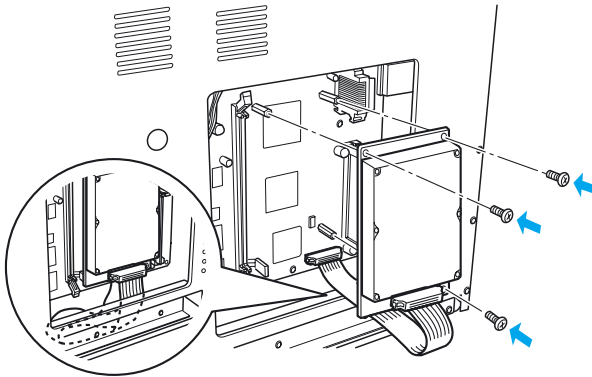
1. Perform the procedure described in “Before Installing the Hard Disk Drive or Memory Module” on page 23.
2. Connect one end of the cable that comes with the Hard Disk Drive to the connector on the Hard Disk Drive.



3. Connect the other end of the cable to the Hard Disk Drive connector on the circuit board.



4. Secure the drive with the screws that come with it.



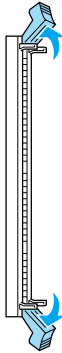
Caution:

- ❑ Be careful not to damage the cable when tightening the screws.
- ❑ Do not remove any modules from the circuit board. Otherwise, the printer will not work.

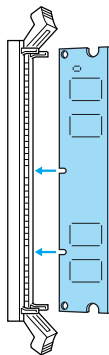
Memory Module

Follow these steps to install a memory module:

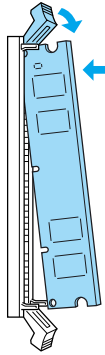
1. Perform the procedure described in “Before Installing the Hard Disk Drive or Memory Module” on page 23.
2. Pull the clips on each side of the memory slot outward.



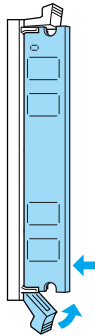
3. Align the indentations on the memory module with the protrusion on the memory slot, as shown below.



4. Insert one corner of the memory module into the memory slot and push it in until the clip comes up.



5. Insert the other corner of the memory module into the slot, and pull up the clip to secure the memory module.

**Caution:**

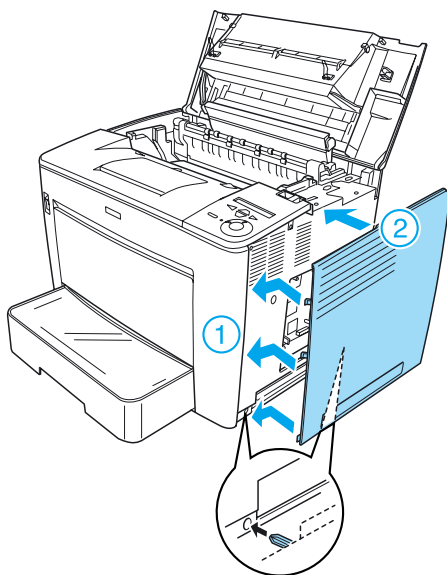
- ❑ Do not force the memory module into the slot.
- ❑ Do not remove any modules from the circuit board. Otherwise, the printer will not work.

Replacing the right cover

Follow these steps to replace the printer's right cover after installing the optional Hard Disk Drive or memory module:

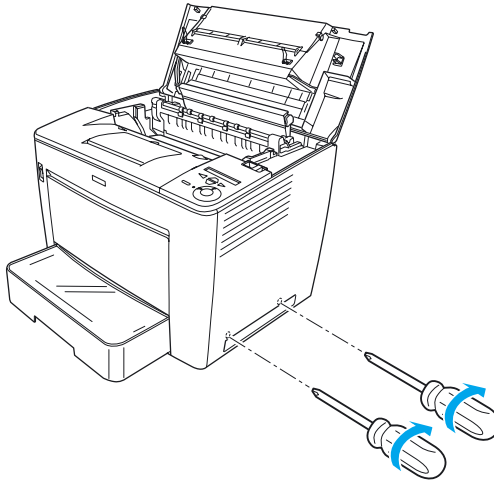
1. Attach the right cover at the original position, as shown below.

Insert the two pins located at the bottom edge of the cover into the holes on the right side of the printer, and then insert the three protruding parts on the left edge of the cover into the matching holes on the printer. Make sure that the upper edge of the cover fits the upper part of the printer.

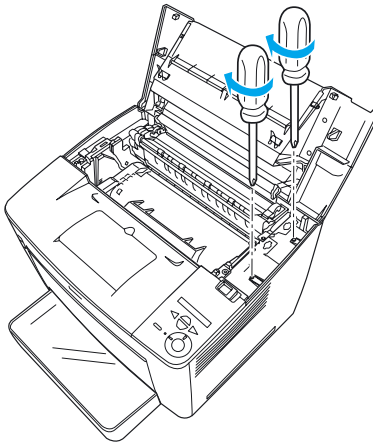


2. Fasten the right cover with screws, as shown below.

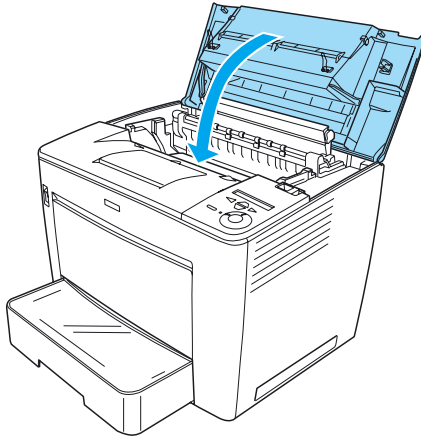
At the bottom of the right cover



At the top of the right cover



3. Close the front cover by pressing it firmly until it clicks into place.

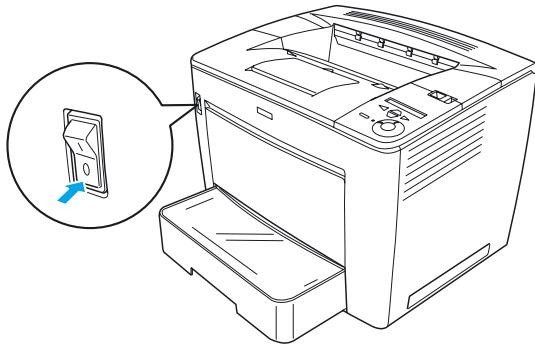


4. Reconnect all interface cables and the power cord.
5. If you have installed optional memory module, confirm that the printer properly recognizes the memory module by performing the following procedure:
Turn on the printer. While the printer is starting up, RAM CHECK XXMB is displayed on the LCD panel. Make sure that the displayed value (XX MB) is equal to total of the standard memory (32 MB) and the added memory.

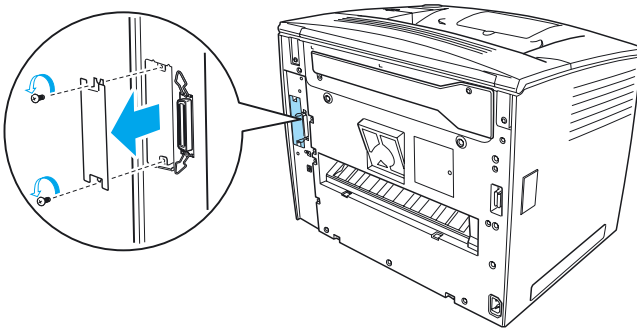
Interface Card

Follow these steps to install an interface card:

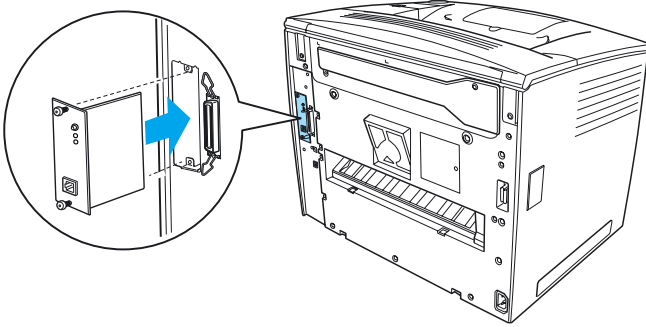
1. Make sure the printer is turned off and the power cord and interface cables are unplugged.



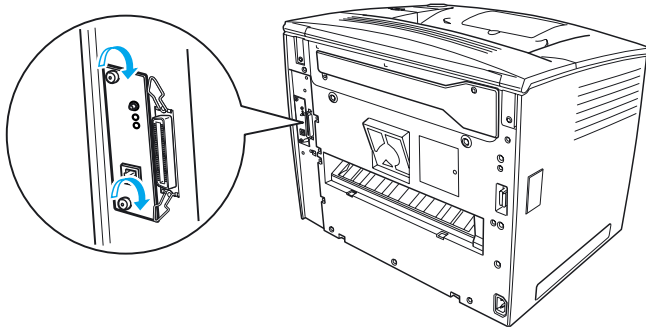
2. Remove the screws and the interface slot cover.



3. Insert the interface card firmly.



4. Secure the interface card with its screws.



To Know More About Your Printer

- ❑ **Reference Guide (PDF)**
This guide provides detailed information about printing from a computer, printer maintenance, problem solving, and safety.
- ❑ **Paper Jam Guide (PDF)**
This guide provides you with solutions for paper jam problems. EPSON recommends printing this guide and keeping it near the printer.
- ❑ **Network Guide (PDF)**
This guide provides network administrators with information on both the printer driver and network settings.

Adobe® Acrobat Reader® 4.0 or later must be installed in your computer to open and read the *Paper Jam Guide*, the *Reference Guide* and the *Network Guide*.

Viewing the Reference Guide

A *Reference Guide* icon is created on the desktop when the printer software is installed. To view the guide, double-click the EPLN7000 Reference Guide icon on the desktop.

You can also access the *Reference Guide* via the Start menu. To do so, click Start, point to All programs in Windows XP or Programs in Windows Me, 98, 95, 2000 or NT 4.0, point to EPSON, and then select EPLN7000 Reference Guide.

Viewing and printing the Paper Jam Guide

Follow these steps to view and print the *Paper Jam Guide*:

1. A *Paper Jam Guide* icon is created on the desktop when the printer software is installed. To view the guide, double-click the **Paper Jam Guide** icon on the desktop. The guide opens in Acrobat Reader.
2. Select **Print** on the file menu, and then click **OK**.

The *Paper Jam Guide* is printed.

Installing the Network Guide

Follow these steps to install the *Network Guide*:

1. Insert the printer software CD-ROM in the CD-ROM drive.

Note:

If the language selection window appears, select your country.

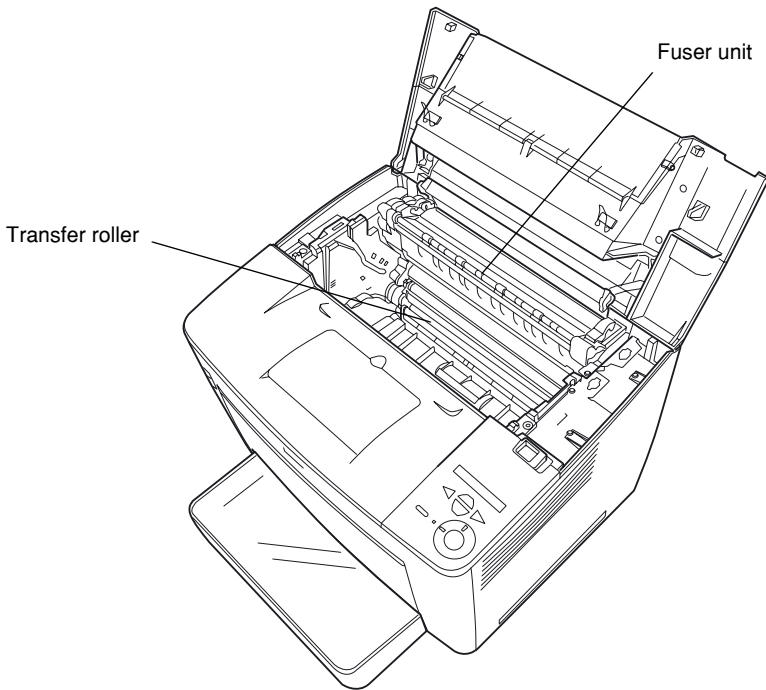
2. Click **Continue**. When the software license agreement screen appears, read the statement and then click **Agree**.
3. In the dialog box that appears, click **Install Network Utility**.
4. Select **Install Network Guide**, and then follow the on-screen instructions.

A *Network Guide* icon is created on the desktop. To view the guide, double-click the **EPLN7000 Network Guide** icon.

Safety Instructions

Laser Printer Precautions

This printer uses laser technology. Follow the precautions below carefully to ensure safe and efficient operation.



- ❑ Be careful not to touch the fuser unit, which is marked **CAUTION HIGH TEMPERATURE**, or the surrounding areas. If the printer has been in use, these areas may be very hot.
- ❑ You should avoid touching the transfer roller. Otherwise, the print quality may decline.

- ❑ Do not attempt to modify or take the imaging cartridge apart. It cannot be refilled.
- ❑ Do not touch the toner and avoid getting toner into your eyes.
- ❑ Do not dispose of a used imaging cartridge in fire, as it can explode and cause injury. Dispose of it according to local regulations.
- ❑ If toner is spilled, use a broom and dustpan or a damp cloth with soap and water to clean it up. Because the fine particles can cause a fire or explosion if they come into contact with a spark, do not use a vacuum cleaner.

Important Safety Instructions

Read all of the following instructions before operating your printer:

When choosing a place for the printer

- ❑ Do not place the printer on an unstable surface.
- ❑ Do not put your printer where the cord will be stepped on.
- ❑ Slots and openings in the cabinet and the back or bottom are provided for ventilation. Do not block or cover them. Do not put the printer on a bed, sofa, rug, or other similar surface or in a built-in installation unless proper ventilation is provided.

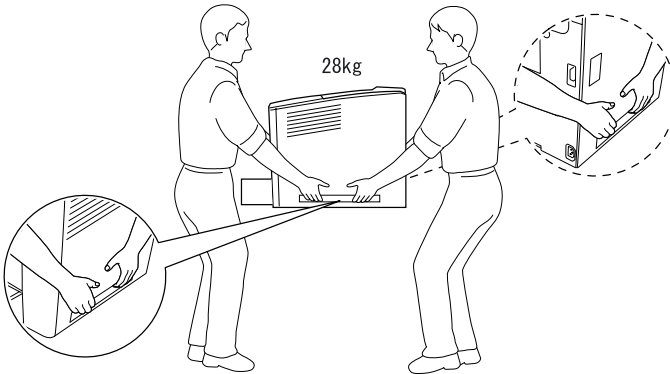
When choosing a power source

- ❑ The interface connector for this printer, excluding the USB connector, is Non-LPS (non-limited power source).
- ❑ Avoid using outlets that other appliances are plugged into.

- ❑ Use the type of power source indicated on the label. If you are not sure of the type of power available, consult your dealer or local power company.
- ❑ If you are unable to insert the plug into the outlet, contact a qualified electrician.
- ❑ If you use an extension cord, make sure that the total of the ampere ratings on the products plugged into the extension cord does not exceed the extension cord ampere rating.
- ❑ Unplug this printer from the wall outlet and refer servicing to a qualified service representative under the following conditions:
 - A. When the power cord or plug is damaged or frayed.
 - B. If liquid has been spilled into it.
 - C. If it has been exposed to rain or water.
 - D. If it does not operate normally when the operating instructions are followed. Adjust only those controls that are covered by the operating instructions since improper adjustment of other controls may result in damage and will often require extensive work by a qualified technician to restore the product to normal operation.
 - E. If it has been dropped or the cabinet has been damaged.
 - F. If it exhibits a distinct change in performance, indicating a need for service.

When using the printer

- ❑ The printer weighs about 28.0 kg (61.7 lb) without consumable products installed. One person should not attempt to lift or carry the printer. Two people should carry it.



- ❑ Follow all warnings and instructions marked on the printer.
- ❑ Unplug this printer from the wall outlet before cleaning.
- ❑ Use a well-wrung cloth for cleaning and do not use liquid or aerosol cleaners.
- ❑ Avoid touching the components inside the printer unless instructed to do so in the printer's documentation.
- ❑ Never force printer components into place. Although the printer is designed to be sturdy, rough handling can damage it.
- ❑ Be sure to keep consumables out of the reach of children.
- ❑ Do not use the printer in a damp environment.
- ❑ Do not leave jammed paper inside of the printer. This can cause the printer to overheat.

- ❑ Never push objects of any kind through cabinet slots as they may touch dangerous voltage points or short out parts that could result in a risk of fire or electric shock.
- ❑ Never spill liquid of any kind onto the printer.
- ❑ Except as specifically explained in the printer's documentation, do not attempt to service this product yourself. Opening or removing those covers that are marked **Do Not Remove** may expose you to dangerous voltage points or other risks. Refer all servicing in those compartments to a qualified service representative.
- ❑ Adjust only those controls that are covered by the operating instructions. Improper adjustment of other controls may result in damage and may require repairs by a qualified service representative.
- ❑ If you plan to use the printer in Germany, observe the following:

To provide adequate short-circuit protection and over-current protection for this printer, the building installation must be protected by a 10 or 16 ampere circuit breaker.

Safety Information

Power cord



Caution:

Be sure the AC power cord meets the relevant local safety standards.

Use only the power cord that comes with this product. The use of any other cords may result in fire or electric shock.

This product's power cord is for use with this product only. Using it with other equipment may result in fire or electric shock.

Laser safety labels



Warning:

The performance of procedures and adjustments other than those specified in the printer's documentation may result in hazardous radiation exposure.



Your printer is a Class 1 laser product as defined in the IEC60825 specifications. The label shown below is attached in countries where required.

Internal laser radiation

Max. Radiation Power 15 mW

Wave Length 775 to 795 nm

This is a Class IIIb Laser Diode Assembly that has an invisible laser beam. The printer head unit is NOT A SERVICE ITEM. Therefore, the printer head unit should not be opened under any circumstances. An additional laser warning label is affixed to the inside of the printer.

Ozone safety

Ozone emission

Ozone gas is generated by laser printers as a by-product of the printing process. Ozone is produced only when the printer is printing.

Ozone exposure limit

The recommended exposure limit for ozone is 0.1 parts per million (ppm) expressed as an average time-weighted concentration over an eight (8) hour period.

The EPSON laser printer generates less than 0.1 ppm for eight (8) hours of continuous printing.

Minimize the risk

To minimize the risk of exposure to ozone, you should avoid the following conditions:

- Use of multiple laser printers in a confined area
- Operation in conditions of extremely low humidity
- Poor room ventilation
- Long, continuous printing together with any of the above

Printer location

The printer should be located so that the exhaust gases and heat generated are:

- Not blown directly into the user's face
- Vented directly out of the building whenever possible

For United Kingdom Users

The EPSON EPL-N7000 is a page printer which utilizes a semiconductor laser.

There is no possibility of danger from the laser, provided that the printer is operated according to the instructions in the guides provided.

Since radiation emitted by the laser is completely confined within protective housings and external covers, the laser beam cannot escape from the machine during any phase of user operation.



Warning:

The use of controls, or the performance of procedures and adjustments other than those specified in this guide may result in hazardous radiation exposure.

This is a semiconductor laser. The maximum power of the laser diode is 70 mW and the wavelength is 775 to 795 nm.

Use of options

Epson (UK) Limited shall not be liable against any damages or problems arising from the use of any options or consumable products other than those designated as Original EPSON Products or EPSON Approved Products by Epson (UK) Limited.

Safety information

Warning: *This appliance must be earthed. Refer to the rating plate for voltage and check that the appliance voltage corresponds to the supply voltage.*

Important: *The wires in the mains lead fitted to this appliance are coloured in accordance with the following code:*

Green and yellow—Earth

Blue—Neutral

Brown—Live

If you need to fit a plug:

As the colours of the mains lead of this appliance may not match any coloured markings used to identify the terminals in a plug, please proceed as follows:

- The green and yellow wires must be connected to the terminal in the plug which is marked with the letter *E* or the Earth symbol (\perp).

- ❑ The blue wire must be connected to the terminal in the plug marked with the letter *N*.
- ❑ The brown wire must be connected to the terminal in the plug marked with the letter *L*.

If damage occurs to the plug, replace the cord set or consult a qualified electrician.

Replace fuses only with a fuse of the correct size and rating.

