
Copyrights and Trademarks

Copyrights

No part of this publication may be reproduced, stored in a retrieval system, or transmitted in any form or by any means, electronic, mechanical, photocopying, recording, or otherwise, without the prior written permission of Seiko Epson Corporation. The information contained herein is designed only for use with this Epson printer. Epson is not responsible for any use of this information as applied to other printers.

Neither Seiko Epson Corporation nor its affiliates shall be liable to the purchaser of this product or third parties for damages, losses, costs, or expenses incurred by the purchaser or third parties as a result of: accident, misuse, or abuse of this product or unauthorized modifications, repairs, or alterations to this product, or (excluding the U.S.) failure to strictly comply with Seiko Epson Corporation's operating and maintenance instructions.

Seiko Epson Corporation shall not be liable for any damages or problems arising from the use of any options or any consumable products other than those designated as Original Epson Products or Epson Approved Products by Seiko Epson Corporation.

Trademarks

EPSON[®] and EPSON ESC/P[®] are registered trademarks of Seiko Epson Corporation.

Microsoft[®], Windows[®], and Windows NT[®] are registered trademarks of Microsoft Corporation.

IBM[®] is a registered trademark of International Business Machines Corporation.

***General Notice:** Other product names used herein are for identification purposes only and may be trademarks of their respective owners. Epson disclaims any and all rights in those marks.*

Copyright © 2006 Seiko Epson Corporation. All rights reserved.

Safety Instructions

Warnings, Cautions, and Notes



Warnings

must be followed carefully to avoid bodily injury.



Cautions

must be observed to avoid damage to your equipment.

Notes

contain important information and useful tips on the operation of your printer.

Hot Parts Caution Symbol



This symbol is placed on the print head and other parts to indicate that they may be hot. Never touch those parts just after the printer has been used. Let them cool for a few minutes before touching them.

Important Safety Instructions

Read all of these safety instructions before using the printer. In addition, follow all warnings and instructions marked on the printer itself.

When setting up the printer

- Do not place the printer on an unstable surface or near a radiator or heat source.
- Place the printer on a flat, stable surface. The printer will not operate properly if it is tilted or placed at an angle.

- ❑ Do not place this product on a soft, unstable surface like a bed or a sofa, or a small, enclosed area, as this restricts ventilation.
- ❑ Do not block or cover the slots and openings in the printer's cabinet, and do not insert objects through the slots.
- ❑ Use only the type of power source indicated on the printer's label. If you are not sure of the power supply specifications in your area, contact your local power company or consult your dealer.
- ❑ Connect all equipment to properly grounded electrical outlets. Avoid using outlets on the same circuit as photocopiers or air control systems that regularly switch on and off.
- ❑ Do not use a damaged or frayed power cord.
- ❑ The power cord should be placed to avoid abrasions, cuts, fraying, crimping, kinking, and other damage.
- ❑ If you use an extension cord with the printer, make sure the total ampere rating of all devices plugged into the extension cord does not exceed the cord's ampere rating. Also, make sure the total ampere of all devices plugged into the electrical outlet does not exceed the electrical outlet's ampere rating.
- ❑ Use only the power cord that comes with this product. Use of another cord may result in fire or electric shock.
- ❑ This product's power cord is for use with this product only. Use with other equipment may result in fire or electric shock.

When maintaining the printer

- ❑ Unplug the printer before cleaning it, and always clean it with a piece of damp cloth only.
- ❑ Do not spill liquid onto the printer.

- ❑ Except as specifically explained in this guide, do not attempt to service the printer yourself.
- ❑ Unplug the printer and refer servicing to qualified service personnel under the following conditions:
 - i. If the power cord or plug is damaged.
 - ii. If liquid has entered the printer.
 - iii. If the printer has been dropped or the cabinet damaged.
 - iv. If the printer does not operate normally or exhibits a distinct change in performance.
- ❑ Do not use aerosol blowers which contain flammable gas inside or around this product. Doing so may cause fire.
- ❑ Adjust only those controls that are covered by the operating instructions.
- ❑ If you plan to use the printer in Germany, observe the following:

To provide adequate short-circuit protection and over-current protection for this printer, the building installation must be protected by a 16-amp circuit breaker.

Bei Anschluss des Druckers an die Stromversorgung muss sichergestellt werden, dass die Gebäudeinstallation mit einer 16 A-Sicherung abgesichert ist.

When Handling the paper

- ❑ Because labels are sensitive to temperature and humidity, use them only under normal operating conditions described below:

Temperature: 15 to 25°C (59 to 77°F)

Humidity: 30 to 60% RH

- ❑ Do not leave labels loaded in the printer between jobs; they may curl around the platen and jam when you resume printing.
- ❑ Do not load paper that is curled or has been folded.

When operating the printer

- ❑ Adjust only those controls that are covered in the user documentation. Improper adjustment of other controls may result in damage requiring extensive repair by a qualified technician.
- ❑ Whenever you turn off the printer, wait at least five seconds before turning it back on; otherwise, you may damage the printer.
- ❑ Do not turn off the printer while it is printing the self test. Always press the PC_{USE} button to stop printing and then turn off the printer.
- ❑ Do not reconnect the power cord to an electrical outlet that has the wrong voltage for your printer.
- ❑ Never replace the print head yourself; you may damage the printer. Also, other parts of the printer must be checked when the print head is replaced.
- ❑ You need to move the print head by hand to replace the ribbon cartridge. If you have just used the printer, the print head may be hot; let it cool for a few minutes before touching it.

For United Kingdom users

Use of options

Epson (UK) Limited shall not be liable against any damages or problems arising from the use of any options or consumable products other than those designated as Original Epson Products or Epson Approved Products by Epson (UK) Limited.

Safety information



Warning:

This appliance must be earthed. Refer to the rating plate for voltage and check that the appliance voltage corresponds to the supply voltage.

Important:

The wires in the mains lead fitted to this appliance are coloured in accordance to the following code:

Green and yellow — Earth

Blue — Neutral

Brown — Live

If you have to fit a plug:

As the colours of the mains lead of this appliance may not match coloured markings used to identify the terminals in a plug, please proceed as follows:

The green and yellow wire must be connected to the terminal in the plug which is marked with the letter *E* or the Earth symbol (\perp).

The blue wire must be connected to the terminal in the plug marked with the letter *N*.

The brown wire must be connected to the terminal in the plug marked with the letter *L*.

If damage occurs to the plug, replace the cord set or consult a qualified electrician.

Replace fuses only with a fuse of the correct size and rating.

For United Kingdom, Singapore, and Hong Kong users

Replace fuses only with fuses of the correct size and rating.

Safety requirements

Mains plug:

Use a 3-pin mains plug that is registered with the Safety Authority.

Flexible cord:

Use a double insulated flexible cord that is certified* to the relevant IEC or BS standards.

Appliance connector:

Use an appliance connector certified* to the relevant IEC or BS Standards.

* certified by member of IECEE CB Scheme.

Contents

Copyrights and Trademarks	1
Copyrights	1
Trademarks	1
Safety Instructions	3
Warnings, Cautions, and Notes	3
Hot Parts Caution Symbol	3
Important Safety Instructions	3
For United Kingdom users	7
For United Kingdom, Singapore, and Hong Kong users	8

Getting to Know Your Printer

Features	13
--------------------	----

Paper Handling

Printing on Continuous Paper	14
Printing with the push tractor	15
Removing a printed document from the push tractor	18
Switching back to single sheets	19
Printing with the pull tractor	19
Adjusting the top-of-form position	24
Advancing the paper to the tear-off edge	27
Printing on Single Sheets	30
Loading single sheets	31
Printing on Special Paper	33
Adjusting the paper thickness lever	33
Multipart forms	34
Labels	35
Envelopes	36

Printer Software

About Your Printer Software	37
Using the Printer Driver with Windows Me and 98	38

Accessing the printer driver from Windows applications . .	39
Accessing the printer driver from the Start menu	41
Changing the printer driver settings	42
Using the Printer Driver with Windows XP, 2000, and	
Windows NT 4.0	43
Accessing the printer driver from Windows applications . .	44
Accessing the printer driver from the Start menu	47
Changing the printer driver settings	49
Printer Driver Settings Overview	50
Using EPSON Status Monitor 3	53
Setting up EPSON Status Monitor 3	54
Accessing EPSON Status Monitor 3	56
Installing EPSON Status Monitor 3	57
Setting Up Your Printer on a Network	58
Sharing the printer	58
Setting up your printer as a shared printer	59
Setting for the clients.	63
Installing the printer driver from the CD-ROM	70
Canceling Printing	72
Uninstalling the Printer Software	73
Uninstalling the printer driver and	
EPSON Status Monitor 3	73

Control Panel

Using the Control Panel	78
Control Panel Buttons and Lights.	78
Selecting a built-in font.	80
About Your Printer's Default Settings.	81
Changing default settings	87

Troubleshooting

Using the Error Indicators.	89
Problems and Solutions.	91
Power Supply.	92
Printing	93
Paper Handling	98
Options	101

Correcting USB Problems	105
Printing a Self Test	109
Contacting Customer Support	111
Technical Support Web Site	111

Options and Consumables

Installing and Using Options	112
Cut-sheet feeder	112
Pull tractor unit	116
Roll paper holder	118
Color upgrade kit	120
Print server	123
Replacing the Ribbon Cartridge	124
Genuine EPSON ribbon cartridge	124
Replacing the ribbon cartridge	124

Product Information

Printer Parts	128
Printer Specifications	130
Mechanical	130
Electronic	133
Electrical	135
Environmental	135
Paper	136
Printable area	139
Paper alignment	142
Command Lists	143
EPSON ESC/P 2 control codes	143
IBM 2390 Plus emulation control codes	144
Standards and approvals	146
Safety Approvals	146
CE marking	146
Cleaning the Printer	147
Transporting the Printer	148

Glossary

Index

Getting to Know Your Printer

Features

Your EPSON® LQ-300+II 24-pin dot matrix printer provides high-quality printing and superior performance in a compact design. Its features include:

- ❑ A variety of paper paths to suit your printing needs.
- ❑ The ability to handle a wide range of paper types, including continuous paper, multipart forms (with one original and up to three copies), labels, single sheets, and envelopes.
- ❑ High-speed printing of up to 300 cps (characters per second) at 10 cpi (characters per inch).

Your printer comes packaged with the printer driver and other software, including the EPSON Status Monitor 3 utility for Microsoft® Windows® XP, Me, 98, 2000, or NT 4.0. The EPSON Status Monitor 3 utility lets you check the status of your printer quickly and easily.

Paper Handling

Printing on Continuous Paper

Your printer can handle continuous paper from 101.6 mm (4.0 inches) to 254 mm (10.0 inches) wide. Depending on where you position the tractor, you can use it as a pull tractor or a push tractor. The following guidelines can help you decide where to position the tractor:

- ❑ Do you want to switch between printing on single sheets and continuous paper without removing the paper supply? Will you tear off continuous paper sheet-by-sheet? Use the tractor in the push tractor position. (The printer comes with the tractor installed in this position.) See the following section.

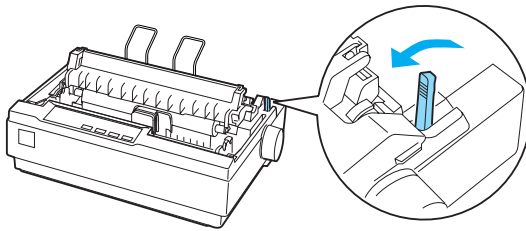
- ❑ Are you printing on labels, multipart forms, or other documents that require a precise print position? Use the tractor as a pull tractor. See “Printing with the pull tractor” for instructions.

Printing with the push tractor

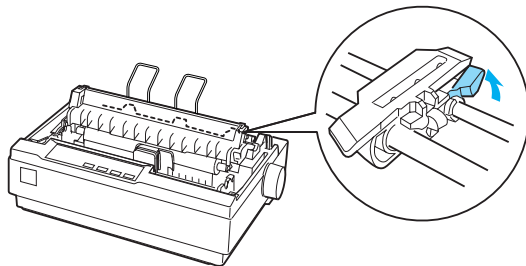
When using the push tractor, it is a good idea to set the Auto tear off feature in the Default Setting mode to On. See “About Your Printer’s Default Settings”.

Follow these steps to load continuous paper using the push tractor:

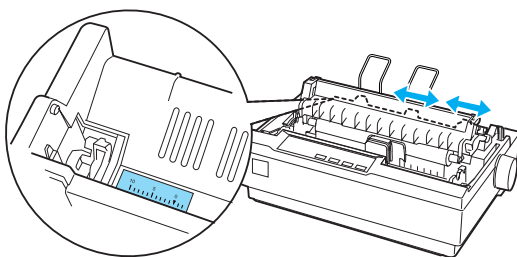
1. Make sure the printer is turned off. Remove the printer cover and the paper guide and place the paper release lever in the continuous paper position.



2. Release the sprocket units by pulling the sprocket locks forward.



- Slide the left sprocket unit using the scale on the printer as a guide. The printer prints to the right of the position marked 0. Push the sprocket lock lever back to lock it in place. Then slide the right sprocket unit to match the width of your paper, but do not lock it. Move the paper support so it is midway between the sprocket units.

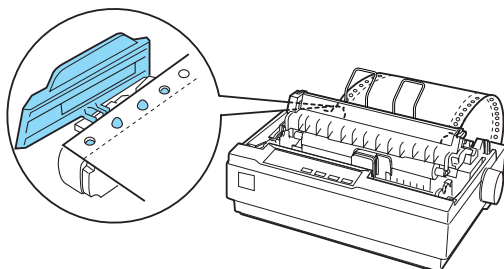


- Make sure your paper has a clean, straight leading edge. Open the sprocket covers. Fit the first holes of the paper over the sprocket pins and then close the sprocket covers. Slide the right sprocket unit to remove any slack in the paper and lock it in place. Now the paper is in the paper-park position.

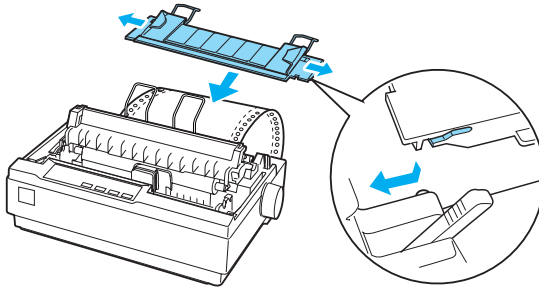


Caution:

Use the paper feed knob on the right side of the printer only to clear paper jams and only when the printer is turned off. Otherwise, you may damage the printer or cause it to lose the top-of-form position.



- To separate the incoming paper from the printed paper, attach the paper guide by holding it horizontally and fitting its notches over the printer's mounting posts as shown below. Then slide the paper guide toward the front of the printer until you feel it click and adjust the edge guides to the width of the paper.



- Turn on the printer.
- Make sure the printer cover is closed. Press the LF/FF button to feed the paper to the loading position. When the printer receives data, it begins printing automatically.
- After you finish printing, follow the steps in the next section to tear off your printed document. If the first printed line on your page appears too high or low, you can change its position by using the Micro Adjust feature. See "Adjusting the top-of-form position".



Caution:

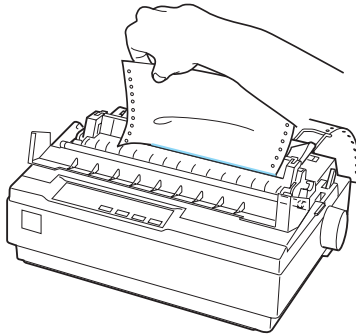
Never use the paper feed knob to adjust the top-of-form position; this may damage the printer or cause it to lose the top-of-form position.

When you send more data, the paper automatically feeds back to the loading position.

Removing a printed document from the push tractor

Follow these steps to remove the printed document:

1. Press the Tear Off (Font) button. Make sure the Tear Off (Font) lights are flashing. (This indicates that your paper is at the current tear-off position.)
2. Open the paper guide cover, then tear off the printed document using the tear-off edge of the paper tension unit.



Note:

If your paper's perforation is not properly aligned with the tear-off edge, you can adjust the tear-off position using the Micro Adjust feature. See "Adjusting the tear-off position".



Caution:

Never use the paper feed knob to adjust the tear-off position; this may damage the printer or cause it to lose the tear-off position.

3. Close the paper guide cover.

When you resume printing, the printer automatically feeds the paper back to the top-of-form position and starts printing.

To feed continuous paper to the standby position where you can remove the paper, press the Load/Eject button. Then open the sprocket covers of the tractor and remove the paper.



Caution:

Always tear off your printed document before you press the Load/Eject button. Reverse feeding several pages at a time may cause a paper jam.

Switching back to single sheets

To switch to single sheets, press the Load/Eject button; the printer feeds the paper backwards into the standby position. Then, follow the steps in “Loading single sheets”.



Caution:

Always tear off your printed document before you press the Load/Eject button. Reverse feeding several pages at a time may cause a paper jam.

Printing with the pull tractor

To load continuous paper using the pull tractor, you must move the tractor to the pull tractor position, as described in steps 1 through 3 in this procedure. If your tractor is already installed in this position, make sure the printer is turned off and skip to step 6.

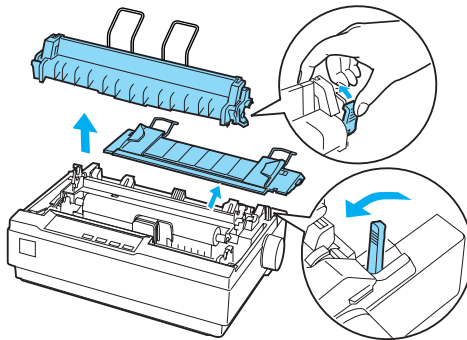


Caution:

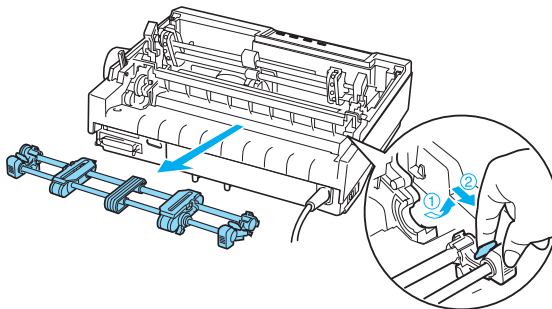
- ❑ *Use the paper feed knob on the right side of the printer only to clear paper jams and only when the printer is off. Otherwise, you may damage the printer or cause it to lose the top-of-form position.*

- ❑ *When using the pull tractor, set the Auto tear off feature in the Default Setting mode to Off; otherwise, the paper may jam.*

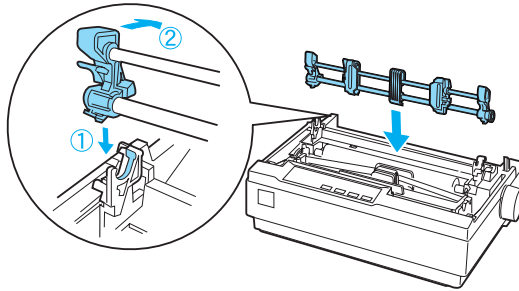
1. Turn the printer off; then remove the printer cover and the paper guide. Next, remove the paper tension unit by squeezing the paper tension unit's lock tabs gently and pulling the paper tension unit away from the printer. Finally, pull the paper release lever forward to the continuous paper position.



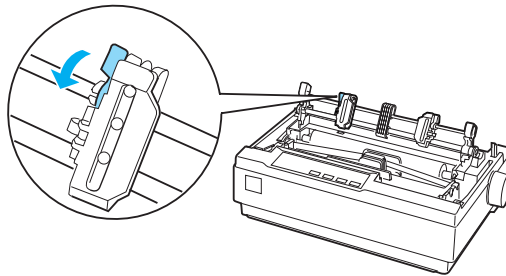
2. Squeeze the tractor's lock tabs gently on both sides, and then rotate the tractor up to pull it away from the printer.



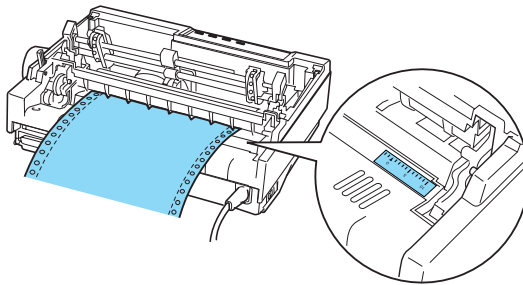
3. Move the tractor forward to the mounting slot at the top of the printer and tilt it into place as shown below. When you push the tractor onto the posts, you should feel the notches snap into place.



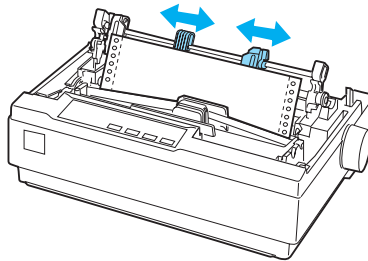
4. Release the sprocket units by pulling the sprocket locks forward.



5. Insert the paper into the bottom paper slot or into the rear paper slot as shown below, and pull it up. Position the paper using the scale on the printer as a guide. The printer prints to the right of the position marked 0.



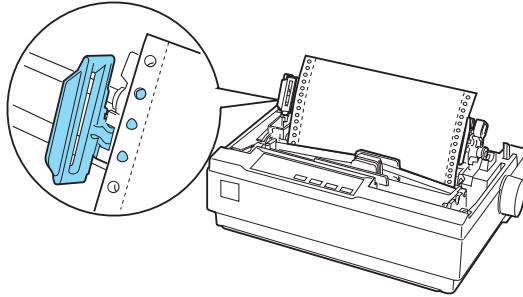
6. Slide the left sprocket unit so that its sprockets match the position of the holes in the paper and lock the unit in place. Then slide the right sprocket unit to match the width of your paper, but do not lock it. Move the paper support midway between the two sprocket units.



7. Make sure your paper has a clean, straight leading edge. Open the sprocket covers. Fit the first holes of the paper over the sprocket pins and then close the sprocket covers. Slide the right sprocket unit to remove any slack in the paper and then lock it in place.

Note:

Remove any remaining slack by gently pulling the paper from the rear or bottom.



8. To separate the incoming paper from the printed paper, attach the paper guide. Hold it horizontally and fit its notches over the printer's mounting posts. Then slide the paper guide toward the back of the printer until you feel it click and adjust the edge guides to the width of the paper.
9. Attach the printer cover and adjust the paper position with the paper feed knob. Turn the knob until the perforation between pages is just above the print head. Then turn on the printer.
10. Make sure the printer cover is closed, but with the paper guide cover open. When the printer receives data, it begins printing automatically.

If you want to change the position where printing begins on the page, press LF/FF to advance the page to the next top-of-form position, and then see "Adjusting the top-of-form position" in the next section to adjust the loading position.

To eject the paper, tear off the paper entering the printer; then press the LF/FF button to feed the paper forward.

Adjusting the top-of-form position

The top-of-form position is the position on the page where the printer starts printing. If your printing appears too high or low on the page, you can use the micro adjust feature to adjust the top-of-form position. Follow these steps:



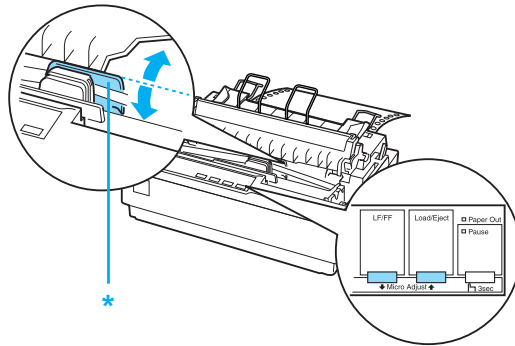
Caution:

Never use the paper feed knob to adjust the top-of-form position; this may damage the printer or cause it to lose the top-of-form position.

Note:

- ❑ *Your top-of-form position setting remains in effect until you change it, even if you turn off the printer.*
 - ❑ *The top margin setting made in some application software overrides the top-of-form position setting you make with the Micro Adjust feature. If necessary, adjust the top-of-form position in your software.*
1. Make sure the printer is turned on.
 2. If necessary, load paper as described in this chapter.
 3. Remove the printer cover.
 4. Hold down the PAUSE button for about three seconds. The PAUSE light starts flashing and the printer enters the Micro Adjust mode.

5. Press the LF/FF \downarrow button to move the top-of-form position up on the page, or press the Load/Eject \uparrow button to move the top-of-form position down on the page.



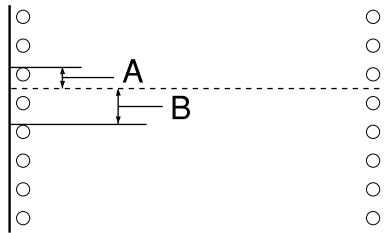
* plastic ribbon cover

Note:

- *The printer has a minimum and a maximum top-of-form position. If you try to adjust it beyond these limits, the printer beeps and stops moving the paper.*
- *When the paper reaches the default top-of-form position, the printer also beeps and stops moving the paper briefly. You can use the default position as a reference point when adjusting the top-of-form position.*

To adjust the top-of-form position for continuous paper loaded on the pull tractor, see the following example:

First mark a point 2.5 mm (0.1 inch) above the paper's perforation; then position the paper so that the mark is even with the top edge of the plastic ribbon cover. This gives you an 8.5 mm (0.33 inch) margin on the next page, meaning the printer starts printing 8.5 mm (0.33 inch) below the perforation. If you mark a point 2.5 mm (0.1 inch) above the perforation, you get a 8.5 mm (0.33 inch) margin on the next page.



A 2.5 mm (0.1 inch)

B 8.5 mm (0.33 inch)

6. After you set the top-of-form position, press the **Pause** button to exit the Micro Adjust mode.

Advancing the paper to the tear-off edge

If you use the push tractor, you can use the tear-off feature to advance your continuous paper to the printer's tear-off edge when you finish printing. You can then easily tear off the printed document. When you resume printing, the printer automatically feeds the paper back to the top-of-form position so that you can save the paper normally lost between documents.

As described below, you can use the tear-off feature in two ways: manually, by pressing the printer's Tear Off (Font) button, or automatically, by turning on the auto tear-off mode.



Caution:

Never use the tear-off feature (as described below) to feed continuous paper with labels backwards; they may come off their backing sheet and jam the printer.

Using the Tear Off button

After the printer finishes printing your document, check that the Tear Off (Font) lights are not flashing. Then press the Tear Off (Font) button. The printer advances the paper to the tear-off edge.

Note:

If the Tear Off (Font) lights are flashing, the paper is in the tear-off position. If you press the Tear Off (Font) button again, the printer feeds your paper to the next top-of-form position.

Advancing the paper to the tear-off position automatically

To automatically advance your printed documents to the tear-off position, you need to turn on the auto tear-off mode and select the appropriate page length for continuous paper in the Default Setting mode. For instructions, see "Changing default settings".

When auto tear-off is on, the printer automatically advances the paper to the tear-off position whenever it receives a full page of data or a form feed command followed by no more data.

Adjusting the tear-off position

If your paper's perforation is not aligned with the tear-off edge, you can use the Micro Adjust feature to move the perforation to the tear-off position.

Follow these steps to adjust the tear-off position:





Caution:

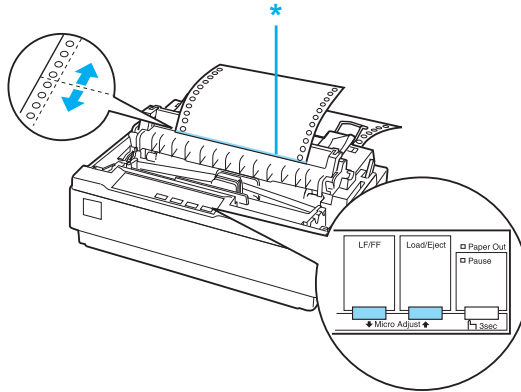
Never use the paper feed knob to adjust the tear-off position; this may damage the printer or cause it to lose the tear-off position.

Note:

Your tear-off position setting remains in effect until you change it, even if you turn off the printer.

1. Make sure the Tear Off (Font) lights are flashing (the paper is at the current tear-off position). You may need to press the Tear Off (Font) button to advance the paper to the tear-off position.
2. Open the paper guide cover.
3. Hold down the Pause button for about three seconds. The Pause light begins to flash and the printer enters the Micro Adjust mode.

4. Press the LF/FF  button to feed the paper backwards, or press the Load/Eject  button to feed the paper forwards, until the paper perforation is aligned with the tear-off edge.



* tear-off edge

Note:

The printer has a minimum and a maximum tear-off position. If you try to adjust the tear-off position beyond these limits, the printer beeps and stops moving the paper.

5. After you set the tear-off position, press the PAUSE button to exit the Micro Adjust mode.
6. Tear off the printed pages.

When you resume printing, the printer automatically feeds the paper back to the top-of-form position and begins printing.

Printing on Single Sheets

You can load single-sheet paper one sheet at a time using the paper guide of the printer. Your single-sheet paper may be from 100 to 257 mm (3.9 to 10.1 inches) wide.

Before printing on single-sheet multipart forms, envelopes, or other special paper, be sure to set the paper thickness lever to the appropriate position. See “Printing on Special Paper” for details.

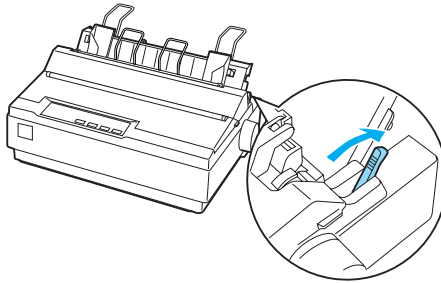
Note:

- ❑ *To load a stack of single-sheet paper, use the optional cut-sheet feeder. See “Installing and Using Options”.*
- ❑ *For detailed specifications on the types of single-sheet paper you can use, See “Printer Specifications”.*
- ❑ *You can use the paper guide to load single-sheet carbonless multipart forms that are fastened at the top by line gluing.*
- ❑ *Insert multipart forms in the paper guide, bound edge first and printable side down.*

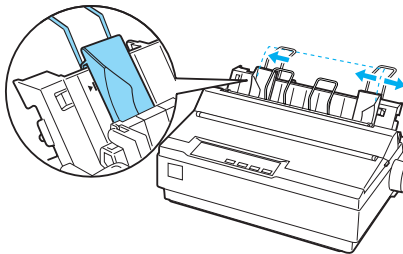
Loading single sheets

Follow these steps to load single sheets:

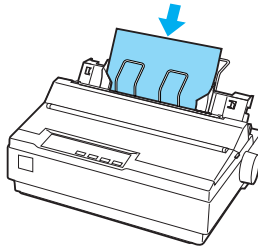
1. Make sure the printer is turned off. Also make sure that the paper release lever is pushed back to the single-sheet position and the paper guide is in the upright position, as shown below.



2. Slide the left edge guide until it locks in place at the guide mark. Next, adjust the right edge guide to match the width of your paper.



3. Slide a sheet of paper down firmly between the edge guides until it meets resistance.



For normal use, turn on the printer without pressing any other buttons. When the printer receives data, it begins to print.



Caution:

Use the paper feed knob on the right side of the printer only to clear paper jams and only when the printer is off. Otherwise, you may damage the printer or cause it to lose the top-of-form position.

Printing on Special Paper

Your printer can also print on a wide variety of paper types, including multipart forms, labels, and envelopes.

For multipart forms, you should not print any closer than 13 mm (0.5 inch) from either side of the paper. For information on the printable area of envelopes, see "Printer Specifications".



Caution:

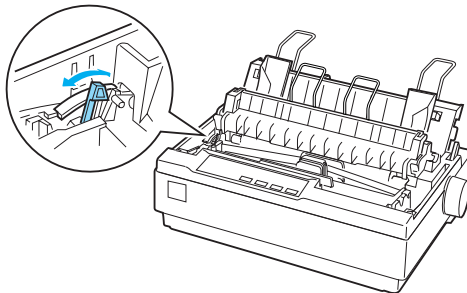
When printing on multipart forms, thicker-than-normal paper, labels, or envelopes, make sure your application software settings keep the printing entirely within the printable area. Printing past the edge of these papers can damage the print head.

Adjusting the paper thickness lever

Before printing on special paper, you need to change the paper thickness setting.

Follow these steps to adjust the paper thickness setting:

1. Turn the printer off and open the printer cover. The paper thickness lever is on the left side of the printer. The numbers next to the lever indicate the thickness setting.



2. Use the table below to select the appropriate paper thickness.

Paper type	Lever position
Standard paper (single sheets or continuous)	0 or 1
Multipart forms (single sheets or continuous) 2-sheet 3-sheet 4-sheet	1 2 3
Labels	2
Envelopes	3 to 5

3. Close the printer cover.

Multipart forms

You can use continuous or single-sheet carbonless multipart forms of up to four parts (one original plus three copies). Before you print on the forms, set the paper thickness lever as described in the previous section. The following tips will help you get good results:

- Use only continuous multipart forms that are joined by spot gluing or side-crimping. Never load continuous multipart forms joined by metal staples, tape, or continuous gluing.
- Use only single-sheet multipart forms that are line-glued only at the top. Insert the forms glued edge first into the printer.
- Use only multipart forms that are free of wrinkles and waves.
- If you need to adjust the loading position, use your application software or change the loading position as described on “Adjusting the top-of-form position”.
- When you use side-crimped continuous multipart forms, the copies may not align with the original. If this happens, raise the paper guide.

Labels

You must use the tractor as a pull tractor and load paper from the bottom paper slot to print on labels. Before you print on labels, set the paper thickness lever as described in “Adjusting the paper thickness lever”. Keep the following tips in mind:

- ❑ Choose labels mounted on a continuous backing sheet with sprocket holes made for use with a tractor. Do not print labels as single sheets, because the shiny backing sheet almost always slips slightly.
- ❑ Load labels the same way as you would load ordinary continuous paper. See “Printing with the pull tractor” for loading instructions.
- ❑ Because labels are especially sensitive to temperature and humidity, use them only under normal operating conditions.
- ❑ Do not leave labels loaded in the printer between jobs; they curl around the platen and may jam when you resume printing.
- ❑ To remove the labels from the printer, tear off the fresh supply at the bottom of the printer; then press LF/FF to advance the remaining labels out of the printer.



Caution:

Never feed labels backwards through the printer; they can easily peel off the backing sheet and jam the printer. If a label does become stuck in the printer, contact your dealer.

Envelopes

You can feed envelopes individually using the paper guide. Keep the following tips in mind:

- ❑ Before loading an envelope, set the paper thickness lever to the proper position. See “Adjusting the paper thickness lever”.
- ❑ To load an envelope, follow the steps in “Loading single sheets”. Insert the wide edge of the envelope into the printer first, printable-side down. When you insert the envelope between the paper guides, push it firmly and hold it until it feeds into the printer.
- ❑ Use envelopes only under normal temperature and humidity conditions.
- ❑ Make sure the printing stays entirely within the printable area.
- ❑ The print head must not go past the left or right edge of the envelope or other thick paper. (See “Printer Specifications” for specifications.) It’s a good idea to print a test sample using a normal single sheet of paper before you print on envelopes.

Printer Software

About Your Printer Software

The Epson software includes the printer driver software and EPSON Status Monitor 3.

The printer driver is software that allows your computer to control the printer. You need to install the printer driver so your Windows software applications can take full advantage of the printer's capabilities.

EPSON Status Monitor 3 program allows you to monitor the status of your printer, alerts you when errors occur, and provides you with troubleshooting tips. EPSON Status Monitor 3 is automatically installed when you install the printer driver. If you want to install EPSON Status Monitor 3 later, see "Installing EPSON Status Monitor 3" for instructions.

Note:

- ❑ *Before proceeding, make sure you have installed the printer driver on your computer described in the Start Here.*
- ❑ *Make sure the software setting is set to ESC/P 2. The printer driver software and EPSON Status Monitor 3 can only function in ESC/P 2 mode.*

Using the Printer Driver with Windows Me and 98

You can access the printer driver from your Windows applications or from the Start menu.

- ❑ When you access the printer driver from a Windows application, any settings you make apply only to the application you are using. See “Accessing the printer driver from Windows applications” for more information.
- ❑ When you access the printer driver from the Start menu, the printer driver settings you make apply to all your applications. See “Accessing the printer driver from the Start menu” for more information.

See “Changing the printer driver settings” to check and change printer driver settings.

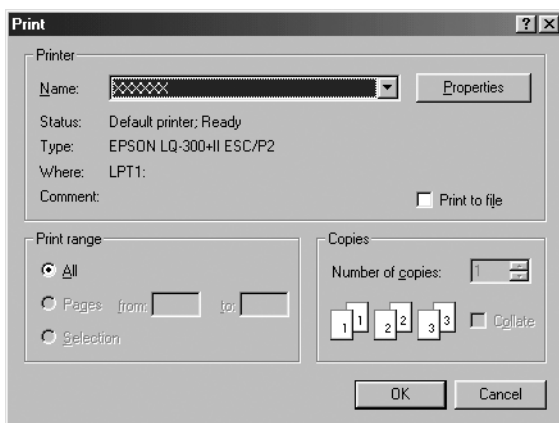
Note:

While many Windows applications override the settings made with the printer driver, some do not, so you must verify that the printer driver settings match your requirements.

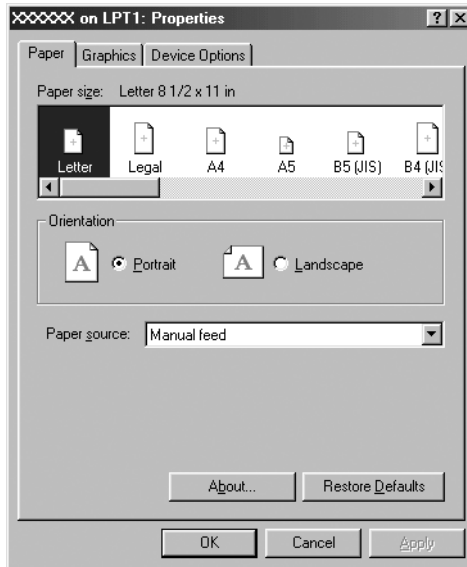
Accessing the printer driver from Windows applications

Follow these steps to access the printer driver from a Windows application:

1. Select Print Setup or Print from the File menu of your application software. In the Print or Print Setup dialog box displayed, make sure that your printer is selected in the Name drop-down list.



2. Click Printer, Setup, Properties, or Options. (The button you click depends on your application and you may need to click a combination of these buttons.) The Properties window appears, and you see the Paper, Graphics, and Device Options menus. These menus contain the printer driver settings.



3. To view a menu, click the corresponding tab at the top of the window. See “Changing the printer driver settings” for information on how to change the settings.

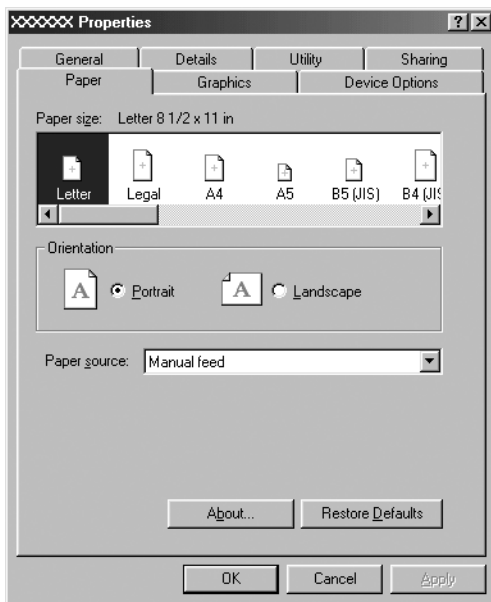
Accessing the printer driver from the Start menu

Follow these steps to access the printer driver from the Start menu:

1. Click the Start button, and then point to Settings.
2. Click Printers.
3. Right-click your printer icon, and click Properties. The screen displays the Properties window, which contains the Paper, Graphics, Device Options, and Utility menus. These menus display the printer driver settings.
4. To view a menu, click the corresponding tab at the top of the window. See “Changing the printer driver settings” for information on how to change the settings.

Changing the printer driver settings

Your printer driver has seven menus: Paper, Graphics, Device Options, General, Details, Utility, and Sharing. For an overview of the available settings, see “Printer Driver Settings Overview”. You can also view online help by right-clicking items in the driver and selecting What’s this?



When you finish making printer driver settings, click OK to apply the settings, or click Restore Defaults to return the settings to their default values.

Once you have checked your printer driver settings and made any necessary changes, you are ready to print.

Using the Printer Driver with Windows XP, 2000, and Windows NT 4.0

You can access the printer driver from your Windows applications or from the Start menu.

- ❑ When you access the printer driver from a Windows application, any settings you make apply only to the application you are using. See “Accessing the printer driver from Windows applications” for more information.
- ❑ When you access the printer driver from the Start menu, the printer driver settings you make apply to all your applications. See “Accessing the printer driver from the Start menu” for more information.

See “Changing the printer driver settings” to check and change printer driver settings.

Note:

While many Windows applications override the settings made with the printer driver, some do not, so you must verify that the printer driver settings match your requirements.

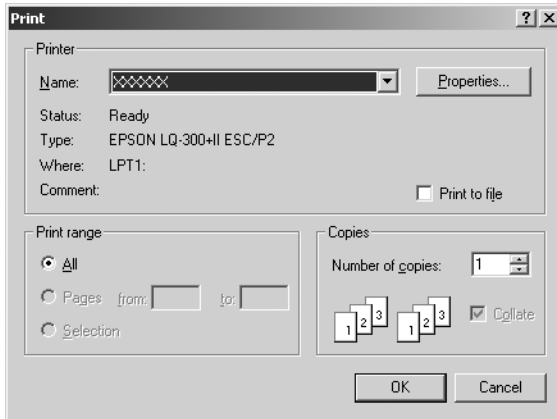
Accessing the printer driver from Windows applications

Follow these steps to access the printer driver from a Windows application:

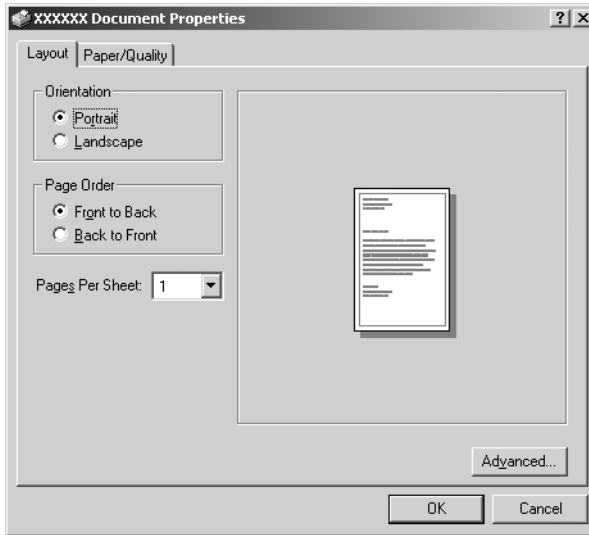
Note:

The examples in the following section are from the Windows 2000 operating system. They may vary in appearance from what actually appears on your screen; however, the instructions are the same.

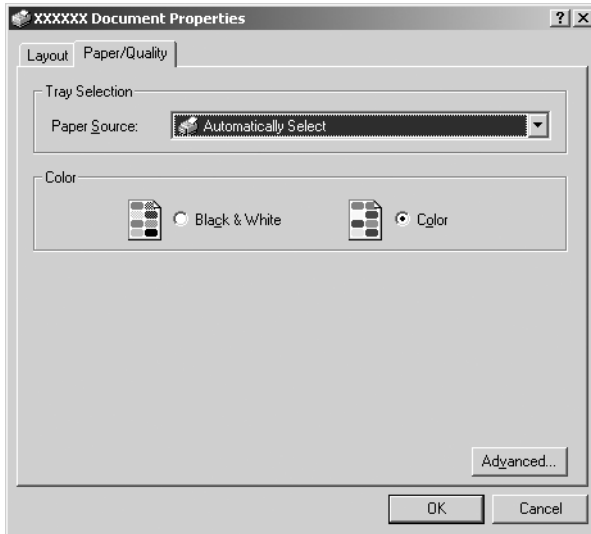
1. Select Print Setup or Print from the File menu of your application software. In the Print or Print Setup dialog box displayed, make sure that your printer is selected in the Name drop-down list.



2. Click Printer, Setup, Properties, or Options. (The button you click depends on your application and you may need to click a combination of these buttons.) The Document Properties window appears, and you see the Layout and Paper/Quality menus. These menus contain the printer driver settings.



3. To view a menu, click the corresponding tab at the top of the window. See “Changing the printer driver settings” to change the settings.



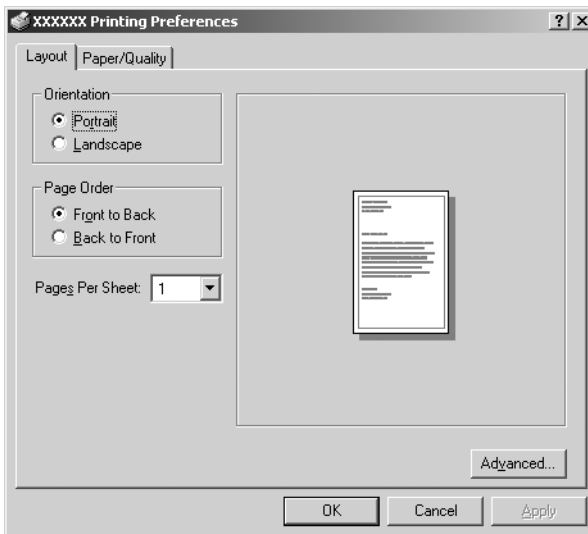
Accessing the printer driver from the Start menu

Follow these steps to access the printer driver from the Start menu:

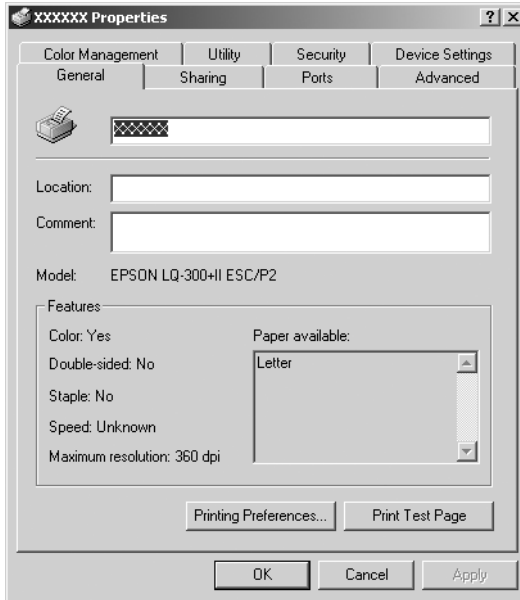
Note:

The screen shots used in this procedure are from the Windows 2000 operating system. They may vary in appearance from what actually appears on your screen; however, the instructions are the same.

1. Click the Start button, and then point to Settings.
2. Click Printers.
3. Right-click your printer icon, and click Printing Preferences (in Windows XP or 2000) or Document Defaults (in Windows NT 4.0). The screen displays the Document Properties window, which contains the Layout and Paper/Quality menus. These menus display the printer driver settings.



When you click Properties in the menu displayed by right-clicking the printer icon, the Properties window appears, which includes menus used to make the printer driver settings.



4. To view a menu, click the corresponding tab at the top of the window. See “Printer Driver Settings Overview” for information on how to change the settings.

Changing the printer driver settings

Your printer driver has two menus from which you can change the printer driver settings; Layout and Paper/Quality. You can also change settings on the Utility menu in the printer software. For an overview of the available settings, see “Printer Driver Settings Overview”. You can also view online help by right-clicking items in the driver and selecting What’s this?

When you finish making your printer driver settings, click OK to apply the settings, or click CANCEL to cancel your changes.

Once you have checked your printer driver settings and changed them if necessary, you are ready to print.

Printer Driver Settings Overview

The following tables show the Windows printer driver settings. Note that not every setting is available in all versions of Windows.

Printer settings

Settings	Explanations
Paper Size	Select the size of the paper you want to use. If you do not see your paper size, use the scroll bar to scroll through the list. If your paper size is not included in the list, see "Definition of Custom Paper Size" for instructions.
Orientation	Select Portrait or Landscape.
Paper Source	Select the paper source you want to use.
Resolution/ Graphics Resolution	Select the printing resolution you want. The higher the resolution you select, the more detailed your printout will be; however, increasing the resolution slows printing.
Dithering	You can leave this option set to Fine, which is the default setting, or select another dithering pattern depending on the kind of printout you want.
Intensity	Move the slider to make your printout lighter or darker.
Print Quality	Select a print quality option from the Print quality list. If you set Hi-speed to On, you will enter bidirectional printing mode and printing speed will increase. Setting Hi-speed to Off will return the printer to unidirectional printing mode. Printing speed will decrease, but printing precision will improve. Printing with the default settings uses the settings stored in the printer.
Halftone Setup.../Halftone Color Adjustment...	Click this button to set the brightness and contrast, input the RGB gamma, or make other settings. The Halftone Color Adjustment dialog box appears. For details, click the Help button in this dialog box.
Halftoning	Select the type of halftoning to use when printing graphics. To let the printer determine the best halftone quality, use Auto Select.

Settings	Explanations
Printer Font Setting	<p>Select a character table group to use. You can select one of three character table groups, Standard, Expanded, and None (Bit Image printing).</p> <p>When Standard or Expanded is selected, the printer uses the device fonts. Expanded includes more fonts than Standard.</p> <p>When None is selected, the printer uses bit map images instead of the device fonts.</p> <p>For details on the fonts which are included in each table, see "Electronic".</p>
Print Text as Graphics*	Select Off when the printer uses the device fonts and select On when the printer does not use the device fonts.
Metafile Spooling*	Select whether to use EMF spooling.
Paper Order*	Select whether to print from front to back or back to front.
Pages Per Sheet*	Select the number of pages that you want to print onto a single page.
Copy Count*	When you select more than one in the Number of copies box, this check box appears and you can select whether to collate the pages of the copies.
Advanced Printing Features*	Select Enable or Disable for the metafile Spooling.
Print Optimizations*	Select Disable when the printer does not use the device fonts and select Enable when the printer uses the device fonts.
Color	Select whether to use color printing. To use color printing, you have to install the optional color upgrade kit.

* For details, see Windows help.

Definition of Custom Paper Size

If your paper is not included in the Paper Size drop-down list, you can add the size to the list.

For Windows Me and 98:

Click Custom or User Defined Size and enter the paper size in the dialog box that appears.

For Windows XP, 2000, and Windows NT 4.0:

1. For Windows 2000 or Windows NT 4.0, click Start, point to Settings, and click to Printers.

For Windows XP Professional, click Start, and click Printers and Faxes.

For Windows XP Home Edition, click Start, and click Control Panel, then click Printers and Faxes.

2. Click the EPSON LQ-300+II ESC/P2 icon.
3. Select Server Properties from the file menu.
4. Check the Create a New Form.
5. Enter the paper size in the Measurement fields.
6. Click Save Form and then click OK.

Monitoring settings

Settings	Explanations
EPSON Status Monitor 3	You can access EPSON Status Monitor 3 when you click this button. To monitor the printer, make sure the Monitor the printing status check box is selected.
Monitoring Preferences	Click this button to open the Monitoring Preferences dialog box where you can make settings for EPSON Status Monitor 3. See "Setting up EPSON Status Monitor 3" for more information.

Using EPSON Status Monitor 3

EPSON Status Monitor 3 is available for Windows XP, Me, 98, 2000, and Windows NT 4.0. It allows you to monitor your printer's status, alerts you when printer errors occur, and provides troubleshooting instructions when needed.

EPSON Status Monitor 3 is available when:

- ❑ The printer is connected directly to the host computer via the parallel port [LPT1] or the USB port.
- ❑ Your system is configured to support bidirectional communication.

EPSON Status Monitor 3 is installed when the printer is connected directly and you install the printer driver as described in the *Start Here*. When sharing the printer, be sure to set EPSON Status Monitor 3 so that the shared printer can be monitored on the printer server. See "Setting up EPSON Status Monitor 3" and "Sharing the printer".

Note:

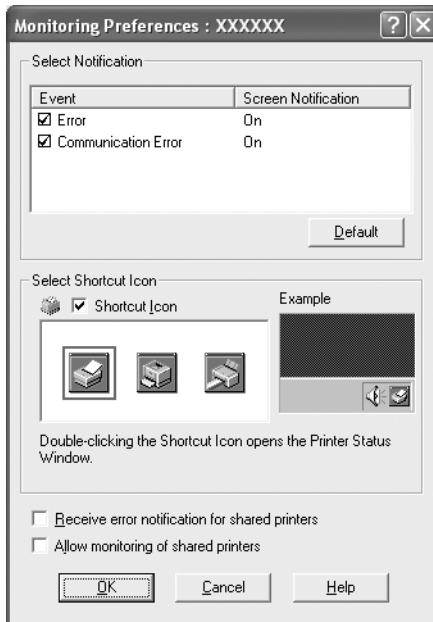
If you install the driver using the "Point and Print" method, EPSON Status Monitor 3 may not function properly. If you want to use EPSON Status Monitor 3, reinstall the driver as described in the Start Here.

Before using EPSON Status Monitor 3, be sure to read the README file on the User CD-ROM. This file contains the latest information on the utility.

Setting up EPSON Status Monitor 3

Follow these steps to set up EPSON Status Monitor 3:

1. Open the Utility menu as described in “Using the Printer Driver with Windows Me and 98” or “Using the Printer Driver with Windows XP, 2000, and Windows NT 4.0”.
2. Click the Monitoring Preferences button. The Monitoring Preferences dialog box appears.



3. The following settings are available:

Select Notification	Displays the error item check box On/Off status. Turn on this check box to display the selected error notification.
Select Shortcut Icon	The selected icon is displayed on the taskbar. The setting's example is shown on the right window. By clicking the shortcut icon, you can access the Monitoring Preferences dialog box easily.
Receive error notification for shared printers	Error notification for a shared printer can be received when this check box is selected.
Allow monitoring of shared printer	When this check box is selected, a shared printer can be monitored by other PCs.

Note:

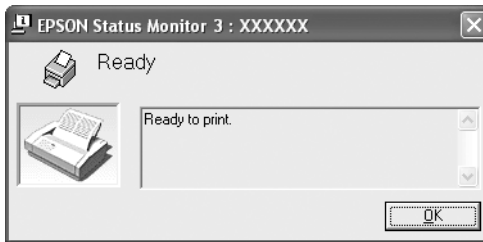
Click the Default button to revert all items to the default settings.

Accessing EPSON Status Monitor 3

Do one of the following to access EPSON Status Monitor 3;

- ❑ Double-click the printer-shaped shortcut icon on the taskbar. To add a shortcut icon to the taskbar, go to the Utility menu and follow the instructions.
- ❑ Open the Utility menu, then click the EPSON Status Monitor 3 icon. To find out how to open the Utility menu, See “Using the Printer Driver with Windows Me and 98” or “Using the Printer Driver with Windows XP, 2000, and Windows NT 4.0”.

When you access EPSON Status Monitor 3 as described above, the following printer status window appears.



You can view printer status information in this window.

Installing EPSON Status Monitor 3

Follow the steps below to install EPSON Status Monitor 3.

1. Make sure that the printer is off and that Windows is running on your computer.
2. Insert the printer software CD-ROM in the CD-ROM drive.

Note:

- If the language selection window appears, select your country.*
 - If the EPSON Installation Program screen does not appear automatically, double-click the My Computer icon, right-click the CD-ROM icon, click OPEN in the menu that appears, then double-click Epsetup.exe.*
3. Click Continue. When the software license agreement screen appears, read the statement, then click Agree.
 4. Click Custom.
 5. Select the EPSON Status Monitor 3 check box, then click Install.
 6. In the dialog box that appears, make sure that your printer icon is selected, and click OK. Then follow the on-screen instructions.
 7. When the installation is complete, click OK.

Setting Up Your Printer on a Network

Sharing the printer

This section describes how to share the printer on a standard Windows network.

The computers on a network can share a printer that is directly connected to one of them. The computer that is directly connected to the printer is the printer server, and the other computers are the clients which need permission to share the printer with the printer server. The clients share the printer via the printer server.

According to the versions of Windows OS and your access rights on the network, perform the appropriate settings of the printer server and clients.

Setting the printer server

- ❑ For Windows Me or 98, see “With Windows Me or 98”.
- ❑ For Windows XP, 2000, or Windows NT 4.0, see “With Windows XP, 2000, or Windows NT 4.0”.

Setting the clients

- ❑ For Windows Me or 98, see “With Windows Me or 98”.
- ❑ For Windows XP or 2000, see “With Windows XP or 2000”.
- ❑ For Windows NT 4.0, see “With Windows NT 4.0”.

Note:

- ❑ *When sharing the printer, be sure to set EPSON Status Monitor 3 so that the shared printer can be monitored on the printer server. See “Setting up EPSON Status Monitor 3”.*

- ❑ *When you are Windows shared printer user in a Windows Me or 98 environment, on the server, double-click the Network icon in Control panel and make sure that the “File and printer sharing for Microsoft Networks” component is installed. Then, on the server and clients, make sure that the “IPX/SPX-compatible Protocol” or the “TCP/IP Protocol” is installed.*
- ❑ *The printer server and clients should be set on the same network system, and they should be under the same network management beforehand.*
- ❑ *The on-screen displays on the following pages may differ depending on the version of Windows OS.*

Setting up your printer as a shared printer

With Windows Me or 98

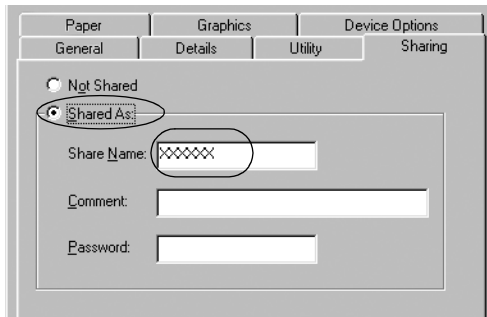
When the printer server’s OS is Windows Me, 98, follow these steps to set the printer server.

1. Click Start, point to Settings, and click Control Panel.
2. Double-click the Network icon.
3. Click File and Print Sharing on the Configuration menu.
4. Select the I want to be able to allow others to print to my printer(s). check box, then click OK.
5. Click OK to accept the settings.

Note:

- ❑ *When “Insert the Disk” appears, insert the Windows Me or 98 CD-ROM in the computer. Click OK and then follow the on-screen instructions.*
- ❑ *When the prompt to restart the computer appears, restart the computer and continue with the settings.*

6. Double-click the Printers icon on the control panel.
7. Right-click your printer icon, and click Sharing in the menu that appears.
8. Select Shared As, type the name in the Share Name box, and click OK. Type a Comment and Password if needed.



Note:

- ❑ Do not use spaces or hyphens for the share name, or an error may occur.
- ❑ When sharing the printer, be sure to set EPSON Status Monitor 3 so that the shared printer can be monitored on the printer server. See “Setting up EPSON Status Monitor 3”.

You need to set the client computers so that they can use the printer on a network. See the following pages for details.

- ❑ “With Windows Me or 98”
- ❑ “With Windows XP or 2000”
- ❑ “With Windows NT 4.0”

With Windows XP, 2000, or Windows NT 4.0

When the printer server's OS is Windows XP, 2000, or Windows NT 4.0, follow these steps to set the printer server.

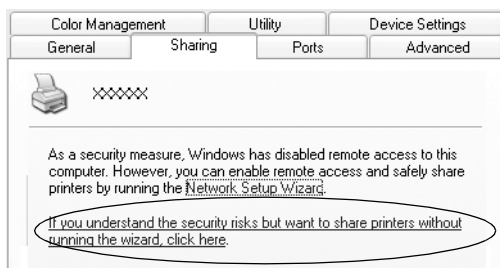
Note:

You must access Windows XP, 2000, or Windows NT 4.0 as the Administrators of the local machine.

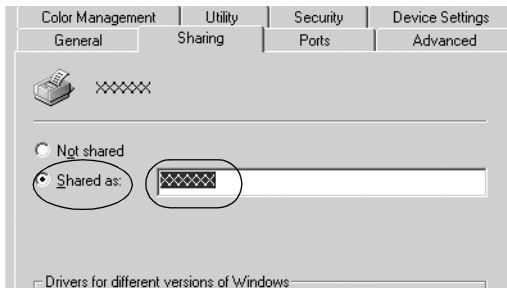
1. For a Windows 2000 or Windows NT 4.0 printer server, click Start, point to Settings, and click Printers.
For a Windows XP Professional printer server, click Start, and click Printers and Faxes.
For Windows XP Home Edition printer server, click Start, click Control panel, then click Printers and Faxes.
2. Right-click your printer icon, and click Sharing in the menu that appears.

For Windows XP, if the following menu appears, click either Network Setup Wizard or If you understand the security risks but want to share printers without running the wizard, click here.

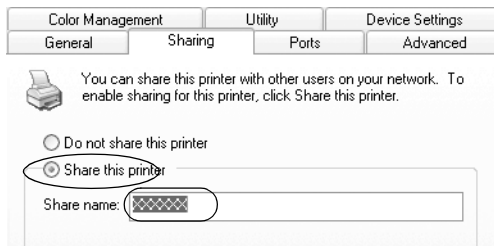
In either case, follow the on-screen instructions.



3. For a Windows 2000 or Windows NT 4.0 printer server, select Shared as (for Windows 2000) or Shared (for Windows NT 4.0), then type the name in the Share name box and click OK.



For a Windows XP printer server, select Share this printer, then type the name in the Share name box and click OK.



Note:

Do not use spaces or hyphens for the share name, or an error may occur.

You need to set the client computers so that they can use the printer on a network. See the following pages for details:

- ❑ "With Windows Me or 98"
- ❑ "With Windows XP or 2000"
- ❑ "With Windows NT 4.0"

Setting for the clients

This section describes how to install the printer driver by accessing the shared printer on a network.

Note:

- ❑ *To share the printer on a Windows network, you need to set the printer server. For details, see “Setting up your printer as a shared printer” (Windows Me or 98) or “With Windows XP, 2000, or Windows NT 4.0” (Windows XP, 2000, or Windows NT 4.0).*
- ❑ *This section describes how to access the shared printer on a standard network system using the server (Microsoft workgroup). If you cannot access the shared printer due to the network system, ask the administrator of the network for assistance.*
- ❑ *This section describes how to install the printer driver by accessing the shared printer from the Printers folder. You can also access the shared printer from Network Neighborhood or My Network on the Windows desktop.*
- ❑ *When you want to use the EPSON Status Monitor 3 at clients, you have to install both of the printer driver and the EPSON Status Monitor 3 in each client from the CD-ROM.*

With Windows Me or 98

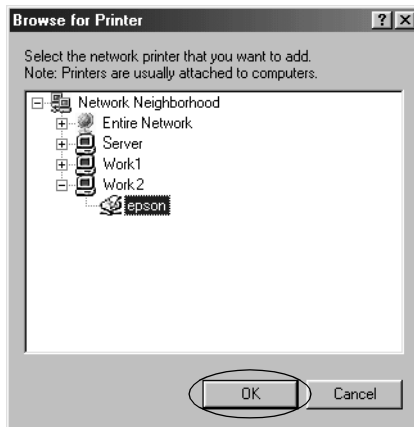
Follow these steps to set Windows Me or 98 clients.

1. Click Start, point to Settings, and click Printers.
2. Double-click the Add Printer icon, then click Next.
3. Select Network printer, then click Next.
4. Click Browse, and the Browse for Printer dialog box appears.

Note:

You can also type “\\(the name of the computer that is locally connected to the shared printer)\(the shared printer’s name)” in the Network path or queue name.

5. Click the computer or server that is connected to the shared printer, and the name of the shared printer. Then click OK.



Note:

The name of the shared printer may be changed by the computer or server that is connected to the shared printer. To make sure of the name of the shared printer, ask the administrator of the network.

6. Click Next.

Note:

- If the printer driver is installed in the client beforehand, you need to select the new printer driver or the current printer driver. When the prompt to select the printer driver appears, select the printer driver according to the message.*
- If the printer server's OS is Windows Me or 98, go to the next step.*
- If the printer server's OS is not Windows Me or 98, go to "Installing the printer driver from the CD-ROM".*

7. Make sure of the name of the shared printer, and select whether to use the printer as the default printer or not. Click OK, and then follow the on-screen instructions.

Note:

You can change the shared printer's name so that it appears only on the client computer.

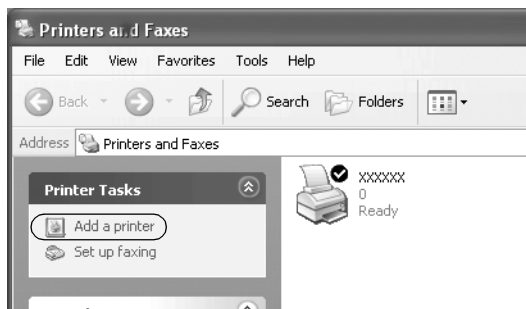
With Windows XP or 2000

Follow these steps to set Windows XP or 2000 clients.

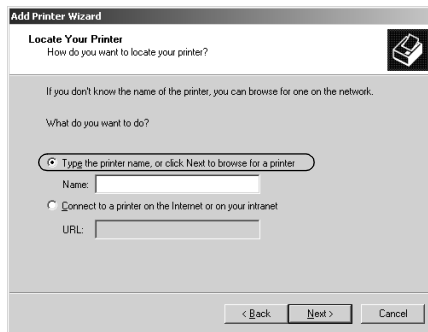
You can install the printer driver of the shared printer, if you have Power Users or more powerful access rights even if you are not the Administrator.

1. For Windows 2000 clients, click Start, point to Settings, and click Printers.
For Windows XP Professional clients, click Start, and click Printers and Faxes.
For Windows XP Home Edition clients, click Start, click Control panel, then click Printers and Faxes.
2. For Windows 2000, double-click the Add Printer icon, then click Next.

For Windows XP, click the Add a printer in the Printer Tasks menu.



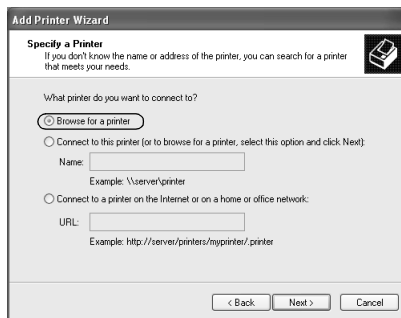
3. Select Network printer (for Windows 2000) or A network printer, or a printer attached to another computer (for Windows XP), then click Next.
4. For Windows 2000, select Type the printer name, or click Next to browse for a printer, then click Next.



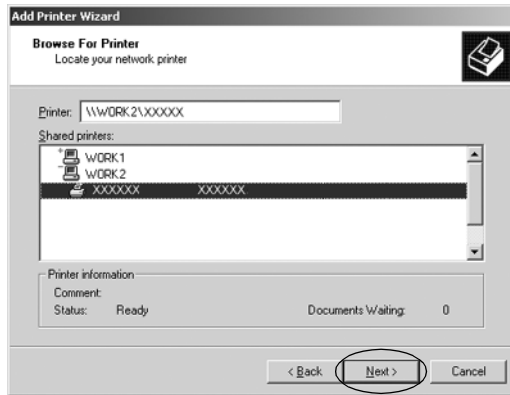
Note:

You can also type the shared printer's name or network path in the Name box, such as "\\(the name of the computer that is locally connected to the shared printer)\(the shared printer's name)."

For Windows XP, select Browse for a printer, then click Next.



5. Click the icon of the computer or server that is connected to the shared printer, and the name of the shared printer. Then click Next.



Note:

- ❑ *The name of the shared printer may be changed by the computer or server that is connected to the shared printer. To make sure of the name of the shared printer, ask the administrator of the network.*
- ❑ *If the printer driver is installed in the client beforehand, you need to select either the new printer driver or the current printer driver. When the prompt to select the printer driver appears, select the printer driver according to the message.*
- ❑ *If the printer server's OS is Windows XP or 2000, go to the next step.*
- ❑ *If the printer server's OS is not Windows XP or 2000, go to "Installing the printer driver from the CD-ROM".*

6. For Windows 2000, select whether to use the printer as the default printer or not, then click OK.

For Windows XP, if another driver is already installed, select whether to use the printer as the default printer or not, then click OK.

7. Make sure of the settings, then click Finish.



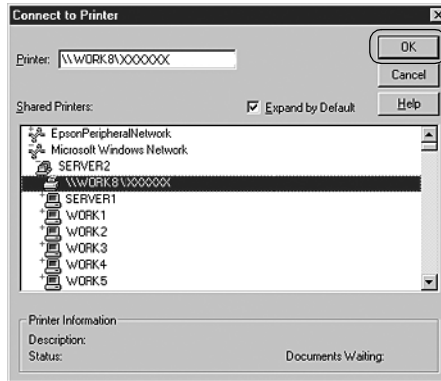
With Windows NT 4.0

Follow these steps to set Windows NT 4.0 clients.

You can install the printer driver of the shared printer, if you have Power Users or more powerful access rights even if you are not the Administrator.

1. Click Start, point to Settings, and click Printers.
2. Double-click the Add Printer icon.
3. Select Network printer server, then click Next.

4. Click the icon of the computer or server that is connected to the shared printer and the name of the shared printer. Then click OK.



Note:

- ❑ You can also type "\\(the name of the computer that is locally connected to the shared printer)\(the shared printer's name)" in Network path or queue name.
- ❑ The name of the shared printer may be changed by the computer or server that is connected to the shared printer. To make sure of the name of the shared printer, ask the administrator of the network.
- ❑ If the printer driver is installed in the client beforehand, you need to select the new printer driver or the current printer driver. When the prompt to select the printer driver appears, select the printer driver according to the message.
- ❑ If the printer server's OS is Windows NT 4.0, go to the next step.
- ❑ If the printer server's OS is not Windows NT 4.0, go to "Installing the printer driver from the CD-ROM".

5. Select whether to use the printer as the default printer or not, then click OK.
6. Click Finish.

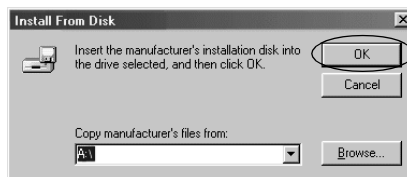
Installing the printer driver from the CD-ROM

This section describes how to install the printer driver in the clients when the computers of the server and clients use different OS.

The on-screen displays on the following pages may differ depending on the version of Windows OS.

Note:

- ❑ *When installing in Windows XP, 2000, or Windows NT 4.0 clients, you must access Windows XP, 2000, or Windows NT 4.0 with the Administrator.*
 - ❑ *If the computers of the server and clients use the same OS, you do not have to install the printer drivers from the CD-ROM.*
1. Access the shared printer and a prompt may appear. Click OK, and then follow the on-screen instructions to install the printer driver from the CD-ROM.
 2. Insert the CD-ROM, then the EPSON Installation Program dialog box appears. Cancel the dialog box by clicking Cancel, then type the appropriate drive and folder names in which the printer driver for clients is located, then click OK.



When installing drivers in Windows XP or 2000, “Digital Signature is not found.” may appear. Click Yes (for Windows 2000) or Continue Anyway (for Windows XP) and continue installing.

The folder name differs depending on the OS being used.

Client's OS	Folder Name
Windows 98	\<Language>\WIN98
Windows Me	\<Language>\WINME
Windows XP, 2000	\<Language>\WIN2000
Windows NT 4.0	\<Language>\WINNT40

3. Select the name of the printer, then click OK. Then follow the on-screen instructions.

Note:

If you also want to install EPSON Status Monitor 3, see “Installing EPSON Status Monitor 3” for instructions.

Canceling Printing

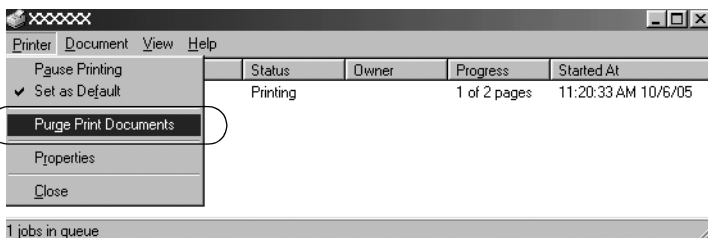
If the printouts are not what you expected and display incorrect or garbled characters or images, you may need to cancel printing. When the printer icon is displayed on the taskbar, follow the instructions below to cancel printing.

1. Double-click the printer icon on the task bar, then click Purge Print Documents on the Printer menu.



2. When canceling all printing documents, select Purge Print Documents (For Windows Me or 98) or Cancel All Documents (For Windows XP, 2000, or Windows NT 4.0) on the Printer menu.

When canceling a specified document, select a document you want to cancel and select Cancel Printing (For Windows Me or 98) or Cancel (For Windows XP, 2000, or Windows NT 4.0) on the Document menu.



The printing job is canceled.

Uninstalling the Printer Software

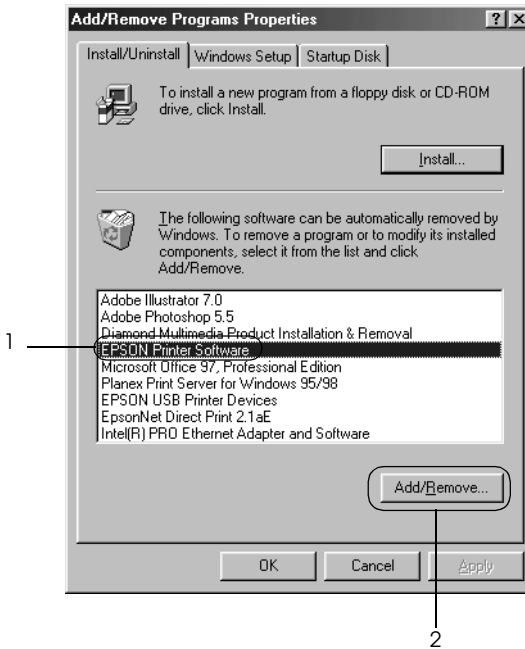
When you wish to reinstall or upgrade the printer driver, uninstall the printer driver that has been installed already.

Uninstalling the printer driver and EPSON Status Monitor 3

1. Quit all applications.
2. Click Start, point to Settings, and click Control Panel.
3. Double-click the Add/Remove Programs icon.



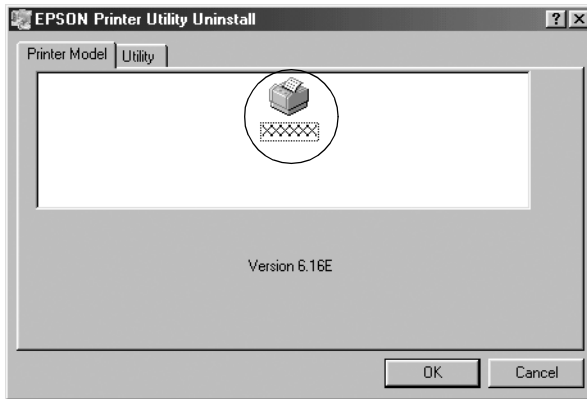
4. Select EPSON Printer Software, and click the Add/Remove.



Note:

When using the Windows XP or Windows 2000 computer, click Change or Remove Programs, select the EPSON Printer Software, then click Change/Remove.

5. Click the Printer Model tab, select the icon of the printer you want to uninstall, then click OK.



6. If you uninstall Monitored Printers, click Yes in the displayed dialog box.

Note:

You can uninstall only the Monitored Printers utility of EPSON Status Monitor 3. When the utility is uninstalled, you cannot change the setting of Monitored Printers from EPSON Status Monitor 3.

7. If you uninstall EPSON Status Monitor 3, click Yes in the displayed dialog box.
8. Follow the on-screen instructions.

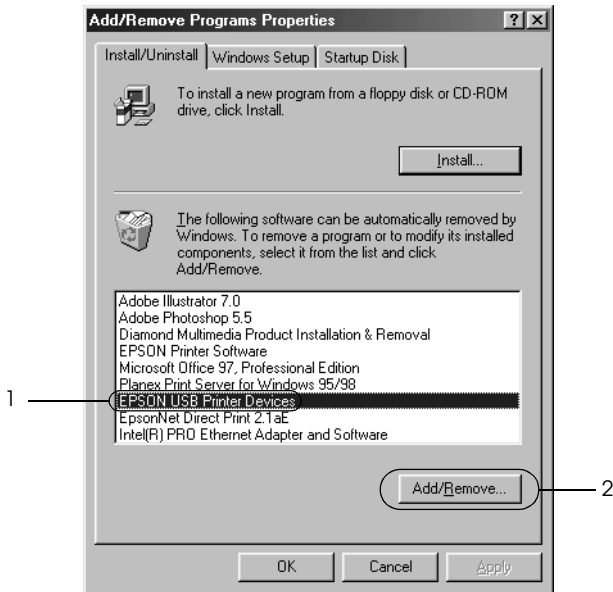
Uninstalling the USB device driver

When you connect the printer to your computer with a USB interface cable, the USB device driver is also installed. When you uninstalled the printer driver, you also need to uninstall the USB device driver.

Follow these steps to uninstall the USB device driver.

Note:

- ❑ *Uninstall the printer driver before uninstalling the USB device driver.*
 - ❑ *Once you uninstalled the USB device driver, you cannot access any other Epson printers connected with a USB interface cable.*
1. Follow steps 1 through 3 of “Uninstalling the Printer Software”.
 2. Select EPSON USB Printer Devices, and click Add/Remove.



Note:

- ❑ *EPSON USB Printer Devices appears only when the printer is connected to Windows Me or 98 with a USB interface cable.*
- ❑ *If the USB device driver is not installed correctly, EPSON USB Printer Devices may not appear. Follow these steps to run the "Epusbun.exe" file in the CD-ROM.*

- 1. Insert the CD-ROM in your computer's CD-ROM drive.*
- 2. Access the CD-ROM drive.*
- 3. Double-click the \<Language>\WIN98 or \<Language>\WINME folder.*
- 4. Double-click the Epusbun.exe icon.*

3. Follow the on-screen instructions.

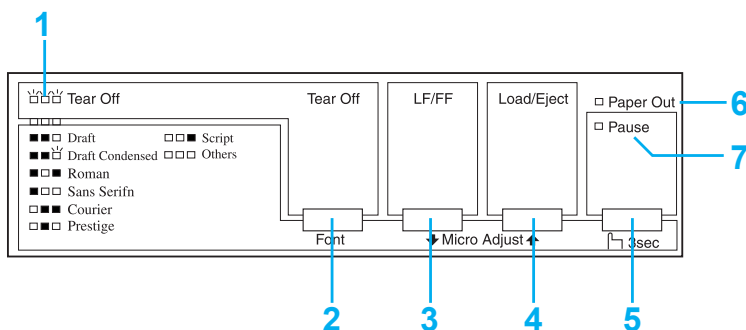
See the *Start Here* to reinstall a printer driver.

Control Panel

Using the Control Panel

You can control simple printer operations—such as line feeding, form feeding, loading and ejecting paper, and selecting fonts—with the buttons on the control panel. The control panel lights show the printer's status.

Control Panel Buttons and Lights



1. Tear Off (Font) lights*

Flash when continuous paper is in the tear-off position; otherwise, the lights indicate the selected font.

2. Tear Off (Font) button*

- Advances continuous paper to the tear-off position.
- Feeds continuous paper backward from the tear-off position to the top-of-form position.

3. LF/FF button**

- Feeds paper line by line when pressed and released.
- Ejects a single sheet or advances continuous paper to the next top-of-form position when held down.

4. Load/Eject button**

- Loads a single sheet of paper.
- Ejects a single sheet of paper if a sheet is loaded.
- Loads continuous paper from the standby position.
- Feeds continuous paper backwards to the standby position.

5. Pause button

Stops printing temporarily, and resumes printing when pressed again. When pressed for three seconds, turns on the Micro Adjust mode**. To turn off, press again.

6. Paper Out light

- On when no paper is loaded in the selected paper source or when paper is not loaded correctly.
- Flashes when paper has not been fully ejected or a paper jam has occurred.

7. Pause light

- On when the printer is paused.
- Flashes when the printer is in the Micro Adjust mode**.
- Flashes when the print head has overheated.

* Font select : In the Micro Adjust mode, you can select the font to use for printing by pressing the Tear Off (Font) button. The Tear Off (Font) lights turn on, off or flash to indicate the selected font.

** Micro Adjust mode : When you hold down the Pause button for three seconds, the printer enters the micro adjust mode. In this mode, you can press the LF/FF ⬇ and Load/Eject ⬆ buttons to adjust the top-of-form or tear-off position. See "Adjusting the top-of-form position".

Selecting a built-in font

Follow these steps to select a built-in font using the buttons on the printer's control panel:

1. Make sure that the printer is not printing. If it is, wait until printing is complete.
2. Hold down the PAUSE button for three seconds to enter the Micro Adjust mode. The PAUSE light begins to flash. The three Tear Off (Font) lights show the current font selection.
3. Press the Tear Off (Font) button repeatedly to cycle through all of the available selections; then stop when you reach the desired font with a pattern shown on the control panel. Your selection stays in effect until you change it again.

Note:

- ❑ *Settings you make in your application programs usually override settings you make from the printer's control panel. For best results, use your application to select a font and pitch.*
- ❑ *The Tear Off (Font) button cannot directly select OCR-B, Orator, Orator-S, Script C, Roman T, or Sans Serif H. To select one of these fonts, you must first use the Default Setting mode to register it as the "other" font and then select Others using the Tear Off (Font) button.*
- ❑ *Bar code fonts cannot be selected via the control panel.*

About Your Printer's Default Settings

The default settings control many printer functions. While you can often set these functions through your software or printer driver, you may sometimes need to change a default setting from the printer's control panel using the Default Setting mode.

The following table lists the default settings and the options you can select in the Default Setting mode. The settings are explained in detail after the table. For instructions on changing the default settings, see "Changing default settings".

Settings	Options
Page length for tractor*	Length in inches: 3, 3.5, 4, 5.5, 6, 7, 8, 8.5, 11, 70/6, 12, 14, 17
Skip over perforation	On, Off
Auto tear off	On, Off
Auto line feed	On, Off
Print direction	Bi-D, Uni-D, Auto
Software	ESC/P2, IBM 2390 Plus
0 slash	0, Ø
High speed draft	On, Off
I/F mode	Auto, Parallel, Serial, USB
Auto I/F wait time	10 seconds, 30 seconds
Baud rate	19200, 9600, 4800, 2400, 1200, 600, 300 BPS
Parity	None, Odd, Even, Ignore
Data length	8 bit, 7 bit
Parallel I/F bidirectional mode	On, Off

Settings	Options
Packet mode	Auto, Off
Character table*	Standard model: Italic, PC 437, PC 850, PC 860, PC 863, PC 865, PC 861, BRASCII, Abicomp, Roman 8, ISO Latin 1, PC 858, ISO 8859-15 All other models: Italic, PC 437, PC 850, PC 437 Greek, PC 853, PC 855, PC 852, PC 857, PC 864, PC 866, PC 869, MAZOWIA, Code MJK, ISO 8859-7, ISO Latin 1T, Bulgaria, PC 774, Estonia, ISO 8859-2, PC 866 LAT, PC 866 UKR, PC APTEC, PC 708, PC 720, PC AR864, PC 860, PC 863, PC 865, PC 861, BRASCII, Abicomp, Roman 8, ISO Latin 1, PC 858, ISO 8859-15, PC 771, PC437 Slovenia, PC MC, PC1250, PC1251
International character set for Italic table	Italic U.S.A., Italic France, Italic Germany, Italic U.K., Italic Denmark1, Italic Sweden, Italic Italy, Italic Spain1
Pitch	10 cpi, 12 cpi, 15 cpi, 17 cpi, 20 cpi, Proportional
Font	OCR-B, Orator, Orator-S, Script C, Roman T, Sans Serif H
Auto CR (IBM 2390 Plus)**	On, Off
A.G.M. (IBM 2390 Plus)**	On, Off
Manual feed wait time	1 second, 1.5 seconds, 2 seconds, 3 seconds
Buzzer	On, Off
Roll paper	On, Off

* The options available vary depending on the country of purchase.

** These settings take effect only when IBM 2390 Plus emulation is selected.

Page length for tractor

This setting allows you to set the page length (in inches) for continuous paper.

Skip over perforation

This feature is available only when continuous paper is selected. When you select **On**, the printer provides a one-inch (25.4 mm) margin between the last line printed on one page and the first line printed on the next page. Because the program margin settings in most applications override margin settings made from the control panel, you should use this setting only if you cannot set your top and bottom margins using your application.

Auto tear off

When auto tear off is on and you are using continuous paper with the push tractor, the printer automatically advances the paper perforation to the tear-off position, where you can easily tear off the printed pages. When the printer receives the next print job, it automatically moves the unused paper back to the top-of-form position and starts printing, so you can use all of the next page.

When auto tear off is off, you need to move the perforation to the tear-off position by pressing the control panel button. See “Using the Tear Off button” for more information.

Auto line feed

When auto line feed is on, the printer accompanies each carriage return (CR) code received with a line feed code, and the print position moves to the next line. If the printer adds an extra line after every carriage return, select **Off**.

Print direction

You can select auto print direction (Auto) bidirectional printing (Bi-D) or unidirectional printing (Uni-D). Printing is normally bidirectional for faster printing; however, unidirectional printing allows for precise vertical printing alignment, which is useful for printing graphics.

When set to Auto, the printer analyzes the data and uses unidirectional printing only for lines which require vertical printing alignment.

Software

When you select ESC/P2, the printer operates in the EPSON ESC/P 2 mode. When you select IBM 2390 Plus, the printer emulates an IBM printer.

O slash

The zero character has a slash (Ø) when this feature is turned on. It has no slash (0) when this feature is turned off. The slash allows you to easily distinguish between the uppercase letter O and a zero.

High speed draft

When you choose On, the printer prints up to 300 cps (characters per second) at 10 cpi (characters per inch). When you choose Off, the printer prints up to 225 cps at 10 cpi.

I/F (interface) mode

The printer comes with three kinds of interfaces; a parallel interface, a serial interface and a USB interface.

If your printer is connected to only one computer, choose Parallel, Serial, or USB for the interface mode, depending on the interface you use. If your printer is connected to two computers, select Auto (automatic) to allow the printer to automatically switch between interfaces depending on which one is receiving data.

Auto I/F (interface) wait time

This setting takes effect only when "I/F (interface) mode" is set to Auto. This setting determines how long the printer waits when it no longer receives data from an interface before it checks whether a print job is being sent through the other interface. You can specify 10 seconds or 30 seconds for the auto interface wait time.

Baud rate

Use this option to set the data transfer rate (baud) for the serial interface. The baud rate is measured in bits per second (bps). See your computer manual and software documentation for the proper setting.

Parity

When this option is set to None, parity checking is disabled. The parity bit, if used, provides a basic form of error detection. See your computer manual and software documentation for the proper setting.

Data length

Set the data length of the serial interface to 7 bit or 8 bit. See your computer manual and software documentation for the proper setting.

Parallel I/F bidirectional mode

The parallel interface bidirectional transfer mode is used when this feature is turned on. If bidirectional transfer mode is unnecessary, turn this off.

Packet mode

Make sure to select AUTO to print from Windows applications using the printer driver included in the software CD-ROM that comes with the printer. Turn off this mode if you encounter connection problems when you are printing from applications based on other operating systems such as DOS.

Character table

You can select among various character tables.

International character set for Italic table

You can select among several international character sets for the Italic character table. Each character set contains eight characters that vary depending on the country or language, so you can customize the Italic table to suit your printing needs.

Pitch

You can select from among six pitch settings.

Font

You can select six fonts in the Default Setting mode. The font selected here appears under Others on the control panel. The fonts indicated on the control panel cannot be selected in the Default Setting mode.

Auto CR (carriage return)

This setting is available only in the IBM 2390 Plus emulation mode. When auto carriage return is on, each line feed (LF) code or ESC J code is accompanied by a carriage return code. This moves the print position to the beginning of the next line.

A.G.M. (Alternate Graphic Mode)

This setting is available only in the IBM 2390 Plus emulation mode. When A.G.M. is on, the printer can use some advanced graphics commands like those available in the ESC/P 2 mode.

Manual feed wait time

This sets the amount of wait time between the time paper is inserted into the paper guide and when it is fed. If the paper feeds before you can adjust its position to your satisfaction, you can increase the wait time.

Buzzer (beeper)

The printer beeps when an error occurs. (See “Using the Error Indicators” for more information on printer errors.) If you do not want the printer to beep when an error occurs, turn this setting off.

Roll paper

When you turn on this mode, the printer recognizes that single sheets are not loaded in the printer, so it does not try to eject the paper and advance it forward to the next page when you press the LF/FF button.

Changing default settings

Follow these steps to enter the Default Setting mode and change the printer’s default settings:

Note:

- ❑ *To print the language selection instructions and Default Setting mode instructions, you need five or six sheets of A4 or Letter size single-sheet paper, or five or six pages of continuous paper that is at least 279 mm (11 inches) long and 210 mm (8.27 inches) wide.*

- ❑ *If you use single sheets without an optional cut-sheet feeder, you need to feed a new sheet of paper each time the printer ejects a printed sheet.*

1. Make sure paper is loaded and the printer is turned off.



Caution:

Whenever you turn off the printer, wait at least five seconds before turning it back on; otherwise, you may damage the printer.

2. While holding down the Tear Off (Font) button, turn on the printer. The printer enters the Default Setting mode and prints the language selection instructions (one page).
3. Follow the instructions to select the language you want for the instruction pages.
4. Load the next sheet of paper, if necessary. The printer prints the current settings list (one page).
5. Press down the Tear Off (Font) button. The printer prints the Default Setting mode instructions (three or four pages) in the language you selected. The printed instructions list the default settings you can change, describe how to change them, and show you how the control panel lights help you make settings.
6. Follow these instructions to change the default settings using the buttons on the printer's control panel.
7. When you finish making settings, turn off the printer and exit the Default Setting mode. Any settings you have made remain in effect until you change them again.

Note:

Turn off the printer when it has finished printing.

Troubleshooting

Using the Error Indicators

You can identify many common printer problems using the lights on the control panel. If your printer stops working and one or more control panel lights are on or flashing or the printer beeps, use the following table to diagnose and fix the problem. If you cannot fix your problem using this table, go to the next section.

Panel light state	Beep pattern	Problem
		Solution
□ Pause	-	The printer is paused.
		Press the Pause button to resume printing.
	•••	Paper from another paper source is currently in the paper path.
		Move the paper release lever back to the appropriate position and press the Load/Eject button to clear the paper from the paper path. Then set the lever to the position you want to use. Press the Pause button to turn off the Pause light, if necessary.

Panel light state	Beep pattern	Problem
		Solution
<input type="checkbox"/> Paper Out <input type="checkbox"/> Pause	•••	No paper is loaded in the selected paper source.
		Load paper in the printer. Then press the Pause button to turn off the Pause light, if necessary.
	•••	The paper is not loaded correctly.
		Remove your paper and reload it. See "Printing on Continuous Paper" for instructions on loading paper. Then press the Pause button to turn off the Pause light, if necessary.
	•••	Paper is jammed in the printer.
		Turn off the printer, open the printer cover, tear off the paper supply and turn the paper feed knob to eject the remaining paper.
<input type="checkbox"/> Paper Out <input type="checkbox"/> Pause	•••	Continuous paper is not fed back to the standby position.
		Tear off the printed document at the perforation; then press the Load/Eject button. The printer feeds the paper to the standby position. Press the Pause button to turn off the Pause light, if necessary.
	•••	A single sheet of paper is not fully ejected.
		Press the Load/Eject button to eject the sheet. Then press the Pause button to turn off the Pause light, if necessary.
	•••	Paper is jammed in the printer.
		Clear the paper jam as described in the previous page.
<input type="checkbox"/> Pause	-	The print head is overheated.
		Wait a few minutes; the printer resumes printing automatically once the print head has cooled.

Panel light state	Beep pattern	Problem
		Solution
<input type="checkbox"/> All the lights on the control panel	●●●●	An unknown printer error has occurred.
		Turn off the printer and leave it off for several minutes; then turn on the printer again. If the error recurs, contact your dealer.

- = on, = flashing
 ●● = short series of beeps (three beeps)
 ●●●● = long series of beeps (five beeps)

Note:

The printer beeps once if you press a control panel button when the corresponding function is not available.

Problems and Solutions

Most problems you may encounter while operating your printer have simple solutions.

You can check the operation of your printer using the self test. See "Printing a Self Test". If the self test works properly the problem probably lies in the computer, the application software, or the interface cable. If the self test does not work, contact your dealer or a qualified service person for assistance.

Note:

If you are an experienced user or a programmer, you can print a hexadecimal dump to isolate communication problems between the printer and computer. To print a hex dump, turn off the printer. Next, hold down the Load/Eject and LF/FF buttons while you turn on the printer. Then send data from your computer. The printer prints all the codes it receives in hexadecimal format.

Power Supply

Power is not being supplied

The lights on the control panel do not go on.

Cause	What to do
The power cord may be unplugged.	Check that the power cord is properly plugged into the electrical outlet.
The outlet may not be operating.	If the electrical outlet is controlled by an outside switch or automatic timer, use a different outlet. Plug another electrical device, such as a lamp, into the outlet to determine whether the outlet is operating properly.

The lights come on briefly and then go off. The lights stay off even when the power is turned on again.

Cause	What to do
The voltage ratings of the printer and electrical outlet may not match.	Check that the printer's voltage rating matches the voltage of your electrical outlet. If the voltages do not match, unplug the printer and contact your dealer immediately. Do not reconnect the power cord to an electrical outlet.

Printing

The printer does not print

The PAUSE light is off but nothing is printed.

Cause	What to do
The software may not be installed properly.	Check that the software is installed properly for your printer, as described in the Start Here. Check the software's printer settings.
The interface cable may not match the specifications of the printer or computer.	Check both ends of the interface cable. Make sure the cable meets both the printer and computer specifications.
The printer port may not be set correctly.	For Windows 98, Me, 2000 or Windows NT 4.0, click Start, point to Settings, then click Printers. For Windows XP, click Start, Control Panel, then click Printers and Faxes. When the icon of the printer you are using appears, right-click it and select Properties. Then, click the Ports or Details tab and select the appropriate port.

The Paper Out and Pause lights are on and the printer beeps three times.

Cause	What to do
The printer may be out of paper.	Load paper in the printer.

The printer sounds like it is printing, but nothing is printed.

Cause

What to do

The ribbon cartridge may not be installed properly. See the Start Here.

The ribbon may be worn out. Replace the ribbon cartridge.

The printer makes a strange noise, the beeper sounds five times, and the printer stops abruptly.

Cause

What to do

The paper or ribbon may be jammed. Turn off the printer and check for a paper jam, a ribbon jam or other problems.

The printer may have overheated. Let the printer cool. Then try to print again. If the printer still does not print correctly contact your dealer.

The beeper sounds five times and all the lights blink.

Cause

What to do

An error has occurred. Turn off the printer and turn it on again. If the problem persists, check for a paper jam or ribbon jam. If there is no jam, contact your dealer or a qualified service person. (If an error occurs when you switch between single sheets and continuous paper, make sure the paper release lever is in the correct position.)

The print is faint or uneven

Printed characters have parts missing at the bottom.

Cause	What to do
The ribbon cartridge may not be installed properly.	See "Replacing the Ribbon Cartridge".

The printout is faint.

Cause	What to do
The ribbon may be worn out.	Replace the ribbon cartridge as described in "Replacing the Ribbon Cartridge".

Dots are missing in printed characters or graphics

A line of dots is missing in the printout.

Cause	What to do
The print head is damaged.	Stop printing and contact your dealer to have the print head replaced.

Dots are missing in random positions.

Cause	What to do
Either there is too much slack in the ribbon or the ribbon has come loose.	Reinstall the ribbon cartridge as described in "Replacing the Ribbon Cartridge".

Printed characters are not what you expected

The typestyles or characters you sent with your software did not print.

Cause	What to do
The software may not be properly configured.	Check that the software is correctly configured for your printer.

The font selected on the control panel does not print.

Cause	What to do
Your software may be overriding your control panel setting.	Check the font setting in your application software.

The print position is not what you expected

Printing starts too high or too low on the page, or the bottom part of one page is printed at the top of the next page.

Cause	What to do
Your application software settings may be incorrect.	Check the margin or top-of-form position setting in your application software.

Page length does not match the length of the paper.

Cause	What to do
The page length setting in your application may be incorrect.	Check the page length set by your application software and adjust it if necessary.
The printer's page length setting for the tractor may not match the size of the continuous paper you are using.	Check Page length for tractor of the printer's default settings. See "About Your Printer's Default Settings".

Regular gaps occur in the printout.

Cause	What to do
One-inch skip-over-perforation may be set.	Set skip-over-perforation to off in the Default Setting mode. See "About Your Printer's Default Settings".

Paper Handling

Single sheets do not feed properly

Paper does not feed.

Cause	What to do
Continuous paper may be left in the printer.	Remove the continuous paper. Set the paper release lever to the single-sheet position. Insert a new sheet.
The paper on the paper guide is positioned too far to the left or right for the printer to detect that it is there.	Move the paper (and the edge guides) a little to the left or right.

Paper feeding is crooked or the paper jams.

Cause	What to do
The paper was not fed correctly or is of the wrong type.	Turn off the printer and pull out the paper. Insert a new sheet straight into the paper guide. Make sure you're using the right type of paper. See the paper specifications under "Printer Specifications".

Paper does not eject completely.

Cause	What to do
The paper may be too long.	Press the LF/FF button to eject the page. Use paper that is within the specified range. See the paper specifications under "Printer Specifications".

Continuous paper does not feed properly

The tractor does not feed the paper.

Cause	What to do
The paper release lever may be in the wrong position.	Check that the paper release lever is pulled forward to the continuous-paper position. If not, turn off the printer, move the lever, and turn it on again.
The paper may have come off the tractor.	Reattach the paper to the tractor.

Paper feeding is crooked or the paper jams.

Cause	What to do
The paper supply is obstructed.	Make sure the paper supply is not obstructed by a cable or some other object.
The paper supply is too far away from the printer.	Make sure that your paper supply is within 1 meter (3 feet) of the printer.
The printer cover may be opened.	Close the printer cover.
The edge guide positions may be incorrect.	Position the edge guides at the diamond-shaped guide marks.
The holes on the sides of the paper are misaligned.	Check that the holes on the sides of the paper are aligned with each other. Also make sure the sprocket units are locked and their covers are closed.
Your paper may be the wrong size or thickness for the printer.	Make sure that the paper size and thickness are within the specified ranges. See "Paper" for information on the continuous paper specifications.

When you use side-crimped multipart forms, the copies may not align with the original.

Raise the paper guide to keep the printing position accurate.

The paper does not eject properly.

Cause

What to do

The page may be too long.

Tear off the fresh supply of paper and eject the page from the printer. Use only paper that is within the specified length range described under "Printer Specifications".

When you switch between single sheets and continuous paper, the beeper sounds three times and the PAUSE light comes on.

Cause

What to do

You may have tried to change the paper release lever position while paper remained in the printer.

Return the paper release lever to the previous position and eject the paper. Then change the paper release lever position.

Options

When you use the cut-sheet feeder, the paper does not feed properly

The paper does not feed.	
Cause	What to do
The cut-sheet feeder may be incorrectly installed on the printer.	Reinstall it as described under "Cut-sheet feeder".
The paper release lever may be in the wrong position.	Check that the paper release lever is pushed back to the single-sheet position.
You may have loaded too many sheets in the bin.	Remove some sheets. See "Paper" for information on the types and quantity of paper that can be loaded with the cut-sheet feeder.
Paper may be jammed near the print head.	Look for a paper jam.
The edge guide positions may be incorrect.	Position the edge guides at the diamond-shaped guide marks.
There may be only one sheet left in the bin.	Add more paper.

Two or more sheets feed at one time.

Cause	What to do
You may have loaded too many sheets in the bin.	Remove some sheets. See “Paper” for information on the types and quantity of paper that can be loaded with the cut-sheet feeder.
You may have forgotten to fan the stack of paper before loading it into the bin.	Remove the paper and fan it.

The paper feed is crooked.

Cause	What to do
The paper may be old or creased.	Use only new, clean sheets of paper.
There may be too much paper in the stacker.	Remove some sheets.
The right and left paper guides are too far apart.	Position the paper guides to match the width of your paper.
You may not be using the right type of paper for the cut-sheet feeder. For example, your paper may be too heavy or too light.	Make sure your paper meets the requirements of your printer and cut-sheet feeder. See “Paper” for information on the paper specifications.

One page of printing has spread to two pages.

Cause	What to do
Your application software settings may be incorrect.	Check that the page-length setting and lines-per-page setting in your application software are correct.

Switching between the cut-sheet feeder and the push tractor does not work properly

The desired paper type does not load.

Cause	What to do
The paper release lever may not be in the proper position.	Pull the lever forward to load continuous paper or push the lever back to load single sheets.

Using the pull tractor with the push tractor, continuous paper does not feed properly

Paper feed is crooked or the paper jams.

Cause	What to do
The pull tractor and push tractor sprockets are not aligned correctly.	When using both tractors, be sure that the sprockets on both are positioned evenly.
The paper may have too much slack.	Adjust the position of the sprockets to take up any slack along the width of the paper. Remove slack lengthwise by rotating the paper feed knob.
The paper may be caught on the edge guides.	Make sure that the paper guide is installed over the paper and that the edge guides are positioned correctly.

With the color upgrade kit installed, the printer does not operate properly

The lights on the control panel do not go on.

Cause	What to do
The motor in the color upgrade kit may not be installed properly.	Follow the instructions under "Color upgrade kit".

The desired color or certain characters are not printed.

Cause	What to do
Your application software may not be properly set up for color printing.	Use the program's setup (or install) procedure to check the printer setting and adjust as needed. If your application software is capable of sending control codes, select the color using the ESC r command. (See "Command Lists")
The ribbon cartridge may not be installed properly.	Confirm that the ribbon cartridge is installed correctly. See "Color upgrade kit".

Correcting USB Problems

If you are having difficulty using your printer with a USB connection, read the information in this section.

Make sure that your computer is a Windows XP, Me, 98, or 2000 pre-installed model

Your computer must be a Windows XP, Me, 98, or 2000 pre-installed model. You may not be able to install or run the USB printer driver on a computer which is not equipped with a USB port or which has been upgraded from Windows 95 to Windows XP, Me, 98, or 2000.

For details about your computer, contact your dealer.

Make sure that EPSON USB Printer Devices appears on the Device Manager menu (for Windows Me and 98 only)

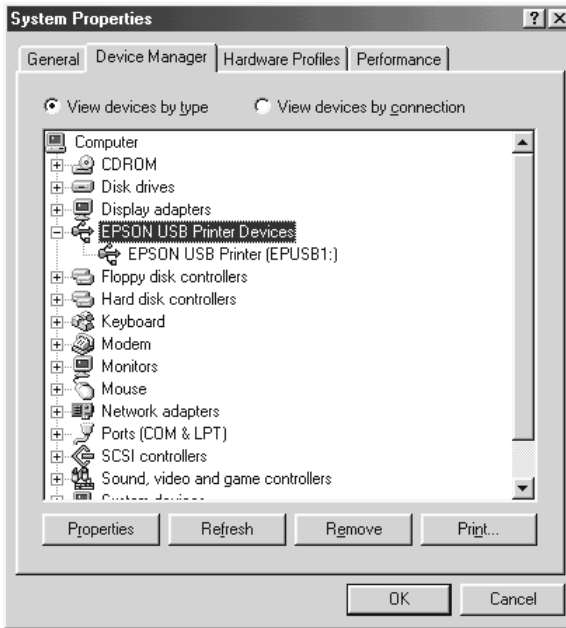
If you canceled the plug-and-play driver installation before the procedure was complete, either the USB printer device driver or the printer driver may be incorrectly installed.

Follow these steps to check the installation and reinstall the drivers:

1. Turn the printer on, and plug the USB cable into the printer and the computer.
2. Right-click the My Computer icon on your desktop, then click Properties.

3. Click the Device Manager tab.

If your drivers are correctly installed, EPSON USB Printer Devices should appear on the Device Manager menu.



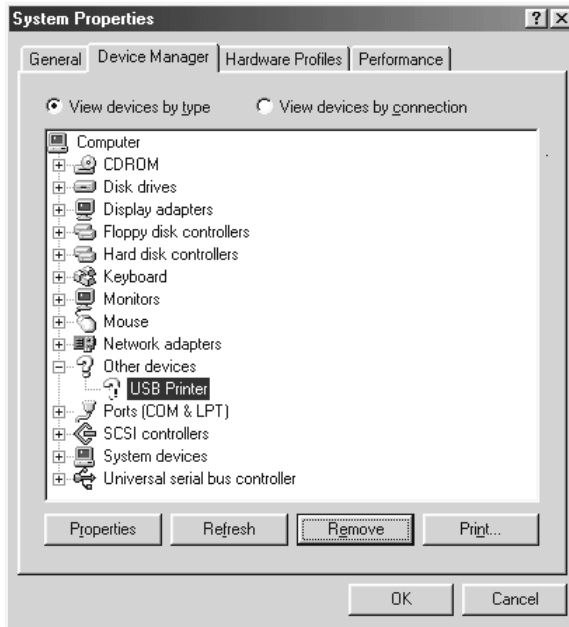
If EPSON USB Printer Devices does not appear on the Device Manager menu, click the plus (+) sign beside Other devices to view the installed devices.



If USB Printer appears under Other devices, the USB printer device driver is not installed correctly. If EPSON LQ-300+II appears, the printer driver is not installed correctly.

If USB Printer, or EPSON LQ-300+II does not appear under Other devices, click Refresh or unplug the USB cable from the printer, then plug it into the printer again.

- Under Other devices, select USB Printer or EPSON LQ-300+II and click Remove. Then, click OK.



- When the following dialog box appears, click OK. Then click OK again to close the System Properties dialog box.



- Turn off the printer and restart your computer. Then, reinstall the drivers from the beginning, following the instructions in the *Start Here*.

Printer does not work correctly with the USB cable

If your printer does not work correctly with the USB cable, try one or more of these solutions:

- ❑ Make sure that the cable you are using is a standard, shielded USB cable.
- ❑ If you are using a USB hub, connect the printer to the first tier of the hub, or connect the printer directly to the computer's USB port.
- ❑ For Windows Me or 98, try reinstalling the USB printer device driver and the printer software. First, uninstall EPSON Printer Software using the Add/Remove Programs utility in the Control Panel, then uninstall EPSON USB Printer Devices. Next, reinstall the software as illustrated in the *Start Here*. If EPSON USB Printer Devices is not registered in the Add/Remove Programs list, access the CD-ROM and double-click epusbun.exe in \<Language>\WINME or \<Language>\WIN98 folder. Then follow the on-screen instructions.

Printing a Self Test

Running the printer's self test helps you determine whether the printer or the computer is causing the problem:

- ❑ If the self test results are satisfactory, the printer is working properly and the problem is probably caused by your printer driver settings, application settings, computer, or interface cable. (Be sure to use a shielded interface cable.)
- ❑ If the self test does not print properly, there is a problem with the printer. See "Problems and Solutions" for possible causes and solutions to the problem.

You can print the self test using either single sheets or continuous paper. See "Printing on Continuous Paper" or "Printing on Single Sheets" for paper-loading instructions.



Caution:

You should use paper at least 210 mm (8.27 inches) wide to run the self test; otherwise, the print head prints directly on the platen.

Follow these steps to perform a self test:

1. When using continuous paper, make sure paper is loaded, and the paper release lever is set to the correct position. Then turn off the printer.



Caution:

Whenever you turn off the printer, wait at least five seconds before turning it back on; otherwise you may damage the printer.

2. To run the test, turn on the printer while holding down the LF/FF button or Load/Eject button.

Self test is printed in Draft characters when the LF/FF button is held, or in LQ characters when the Load/Eject button is held.

3. When using single-sheet paper, load paper in the printer.

After a few seconds, the printer loads the paper automatically and begins printing the self test. A series of characters is printed.

Note:

To temporarily stop the self test, press the PAUSE button. To resume the test, press the PAUSE button again.

4. To end the self test, press the PAUSE button to stop printing. If paper remains in the printer, press the LF/FF button to eject the printed page. Then turn off the printer.



Caution:

Do not turn off the printer while it is printing the self test. Always press the PAUSE button to stop printing and the LF/FF button to eject the printed page before you turn off the printer.

Contacting Customer Support

If your Epson product is not operating properly and you cannot solve the problem using the troubleshooting information in your product documentation, contact customer support services for assistance. Check your Pan-European Warranty Document for information on how to contact EPSON Customer support. They will be able to help you much more quickly if you give them the following information:

- Product serial number
(The serial number label is usually on the back of the product.)
- Product model
- Product software version
(Click About, Version Info, or similar button in the product software.)
- Brand and model of your computer
- Your computer operating system name and version
- Names and versions of the software applications you normally use with your product

Technical Support Web Site

Go to <http://www.epson.com> and select the Support section of your local EPSON web site for the latest drivers, FAQs, manuals and other downloadables.

Epson's Technical Support Web Site provides help with problems that cannot be solved using the troubleshooting information in your product documentation.

Options and Consumables

Installing and Using Options

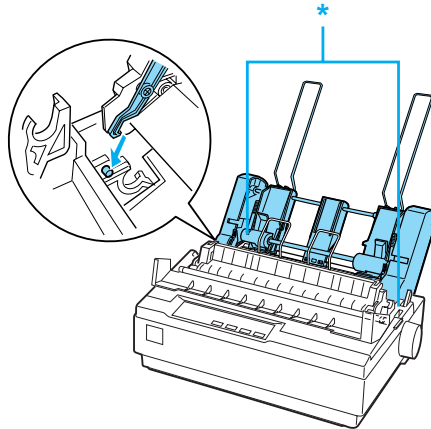
Cut-sheet feeder

The optional single-bin cut-sheet feeder (C80637*) handles up to 50 sheets of standard bond paper (82 g/m² or 22 lb) without reloading.

Follow these steps to install the cut-sheet feeder:

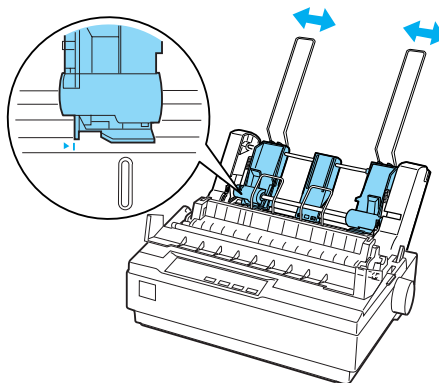
1. Make sure the printer is turned off. Remove the paper guide and open the paper guide cover.
2. If the tractor is installed in the pull-tractor position, remove it and reinstall it in the push-tractor position.
3. Make sure the paper release lever is in the single-sheet position.

4. Hold the cut-sheet feeder in both hands and press on the latch levers. Fit the notches in the cut-sheet feeder over the mounting posts on the printer. Releasing the latch levers locks the cut-sheet feeder in place.

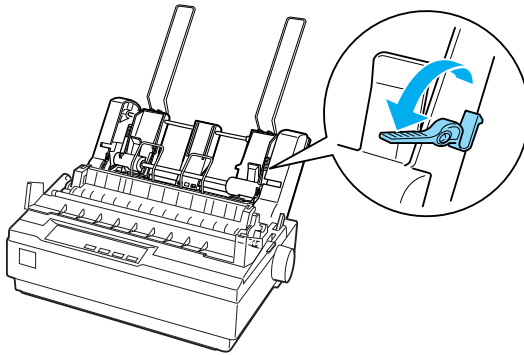


* latch lever

5. Slide the left paper guide so it is aligned with the triangle mark. Next, slide the right paper guide to roughly match the width of your paper. Slide the paper support midway between the paper guides.



6. Pull the paper set levers all the way forward until the paper guides retract and lock open to allow for paper loading.



7. Take a stack of paper and fan it. Next, tap the side and bottom of the paper on a flat surface to even up the stack.

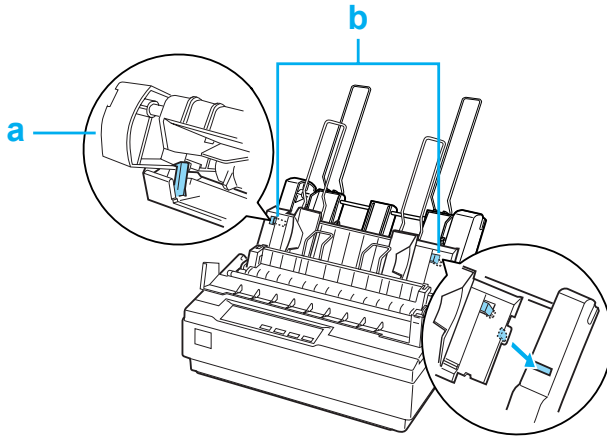


Caution:

Do not use envelopes, multipart forms, carbon paper, or labels in the cut-sheet feeder.

8. Insert up to 50 sheets of paper along the left paper guide.
9. Adjust the position of the right paper guide so that it matches your paper's width. Make sure the position of the guide allows the paper to move up and down freely.
10. Push the paper set levers back to clamp the paper against the guide rollers.
11. Remove the paper supports from the edge guides. Insert the two stacker supports packed with the cut-sheet feeder into the holes on the edge guides.

12. Attach the paper guide to the cut-sheet feeder as shown below.



a. View from above

b. Release tab

13. Slide the left edge guide to the center until it stops at the guide mark. Then slide the right edge guide to fit the size of paper you will use.

Note:

- ❑ *To remove the paper guide from the cut-sheet feeder, press both release tabs and pull out the paper guide.*
- ❑ *Make sure the paper guide cover is open when you print.*

You can easily switch between continuous paper and cut-sheet feeder operation. See “Switching back to single sheets” for details.

Note:

When you print several pages of continuous paper, fold the first printed page forward at the perforation after the perforation emerges from below the printer cover. This helps the printer feed the printed pages properly and prevents paper jams.

Pull tractor unit

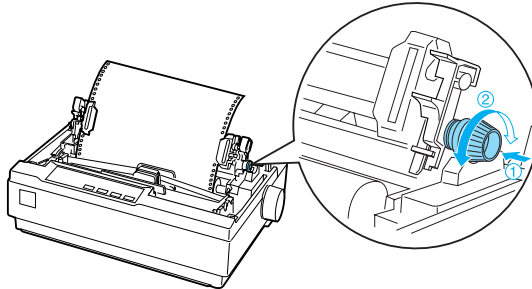
An additional pull tractor (C80030*) is available as an option.

You can improve the performance of continuous paper handling by using two tractors at the same time. This is especially useful with continuous pre-printed forms and multipart forms.

Follow these steps to install and load paper on a standard and an additional pull tractor:

1. Make sure the paper release lever is pulled forward to the continuous-paper position. Install the included tractor in the push-tractor position.
2. Load continuous paper on the sprocket units of the push-tractor. (See “Printing on Continuous Paper”.)
3. Turn on the printer. Hold down the LF/FF button to feed paper in one page.
4. Release the sprocket lock levers of the pull tractor and adjust the sprocket units to match the width of the paper. Be sure that the sprocket units on both tractors are aligned so that the paper is not crooked.
5. Open the sprocket covers. Fit the holes of the paper over the tractor pins of the sprocket units and adjust the sprocket units as necessary. (See “Printing on Continuous Paper”.) Close the sprocket covers.

6. If there is slack in the paper between the push and pull tractors, push in and turn the paper feed knob on the right side of the pull tractor to remove the slack.



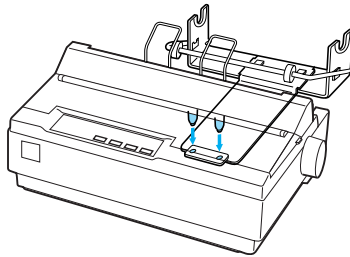
7. See that the paper is not crooked or wrinkled and lock the sprocket units in place.
8. Re-install the printer cover and the paper guide.

Roll paper holder

The optional roll paper holder (#8310) allows you to use your printer with 216 mm (8.5 inch) roll paper like that used with telex machines. This option is not available in all countries.

Follow these steps to install and use the roll paper holder:

1. Turn off the printer and remove the paper guide.
2. Position the roll paper holder beneath the printer as shown below. Fit the two holes in the base onto the two positioning pegs on the bottom of the printer.

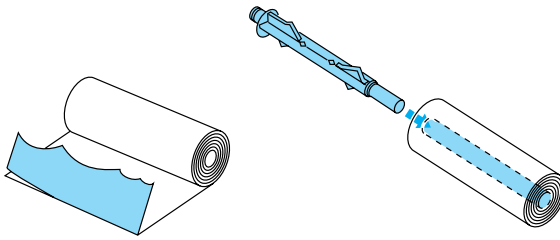


Caution:

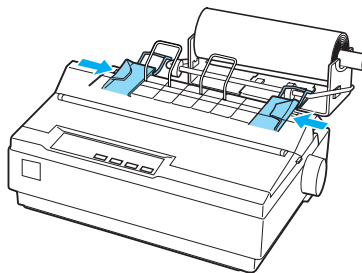
Be careful to avoid dropping the roll paper holder when lifting the printer. Only the printer's weight holds it in place.

3. Push the paper release lever to the single-sheet position.

- Cut the leading edge of the roll paper straight across. Slide the roll paper holder shaft through the center of the paper roll.



- Set the shaft and paper roll onto the roll paper holder. Orient the roll so that paper feeds from the bottom of the roll. Then turn on the printer.
- Bring the leading edge of the paper up over the paper path guide for single sheets and insert it into the printer path for single sheets until you feel resistance.
- Install the paper guide. Slide the left edge guide to the center until it stops at the guide mark. Then slide the right edge guide to the opposite guide mark.

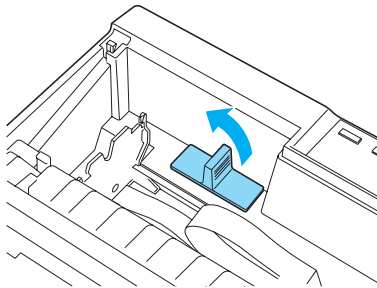


Color upgrade kit

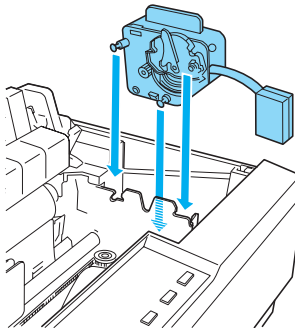
The optional color upgrade kit (C83211*) includes a color ribbon cartridge and a motor unit.

Follow these steps to install the kit:

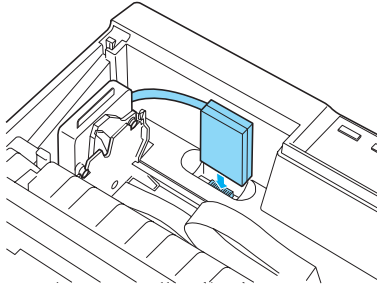
1. Turn off the printer and remove the printer cover and paper tension unit. Slide the connector cover on the printer and pull it out as shown below.



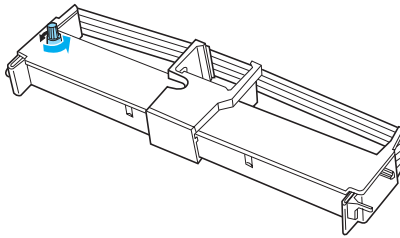
2. Install the motor unit in the right hand corner of the printer, with the gear facing the center of the printer. Push it down firmly to fit the metal pins into the slots.



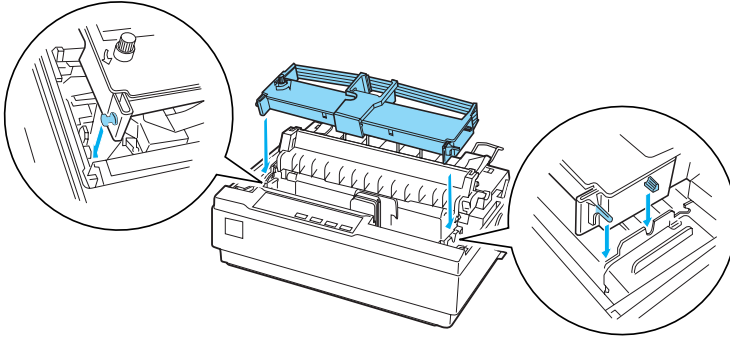
3. Insert the motor unit plug into the connector on the printer.



4. Slide the print head to the middle of the printer; then slide the plastic part on the color ribbon to the center of the cartridge.
5. Turn the ribbon-tightening knob in the direction of the arrow to remove any slack in the ribbon.



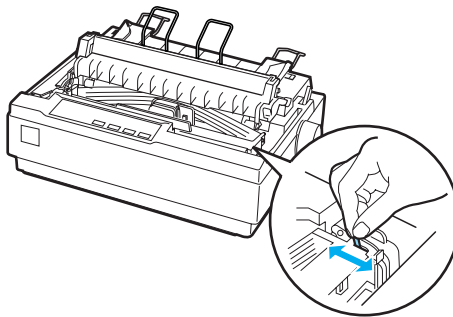
6. Insert the ribbon cartridge into the printer as shown; then press both sides of the cartridge firmly to fit the plastic hooks into the printer slots.



7. While holding down the Load/Eject and Pause buttons, turn on the printer. The printer prints the instructions on how to adjust the print position.
8. Follow the printed instructions to adjust the print position.

Note:

If you are instructed to move the color ribbon adjustment lever, move the lever as shown below.



9. When you finish adjusting the print position, turn off the printer.

Note:

When you print using the color ribbon, the print speed is reduced.

To switch to the black ribbon, remove the color ribbon as shown in the manual that comes with the optional color upgrade kit; then install the black ribbon as described under "Replacing the ribbon cartridge".

You do not have to remove the motor unit.

Print server

You can use this printer as a network printer by installing the EpsonNet 10/100 Base TX Ext. Print Server (C82378*) in the printer's parallel interface port. See the Administrator's Manual packaged with this option for instructions on installation and use.

Replacing the Ribbon Cartridge

Genuine EPSON ribbon cartridge

When printing becomes faint, you need to replace the ribbon cartridge. Genuine EPSON ribbon cartridges are designed and manufactured to work properly with your EPSON printer. They ensure proper operation and long life of the print head and other printer parts. Other products not manufactured by EPSON may cause damage to your printer, which is not covered by EPSON's warranties.

Your printer uses the following ribbon cartridge:

EPSON black ribbon cartridge: #7753

EPSON color ribbon cartridge: S015077

EPSON black film ribbon cartridge: #7768

Replacing the ribbon cartridge

Follow these steps to install or replace the ribbon cartridge:

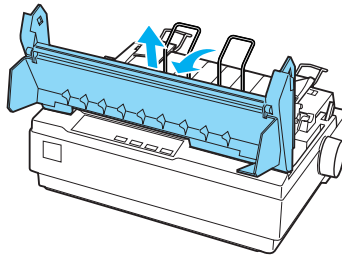
1. Make sure the printer is turned off.



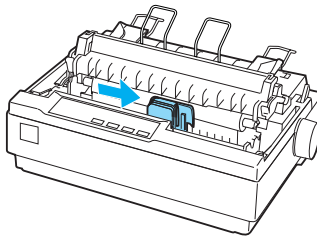
Warning:

If you have just used the printer, the print head may be hot; let it cool for a few minutes before replacing the ribbon cartridge.

2. Open the printer cover to the upright position, then pull it up to remove it.

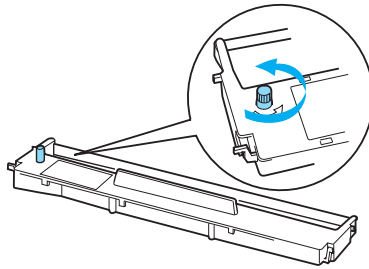


3. Make sure that the print head is in the middle of the printer. (If it is not, turn on the printer, and then, turn off the printer.) Then remove the ribbon cartridge from the printer.

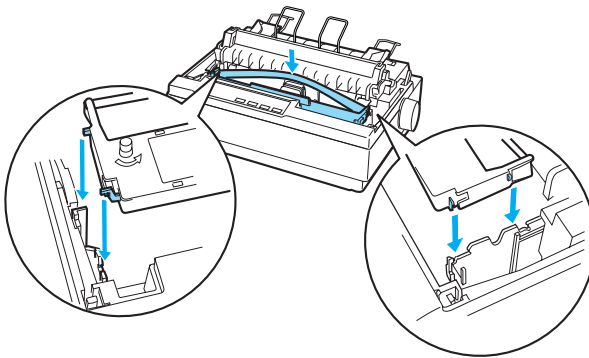


4. Remove the new ribbon cartridge from its package.

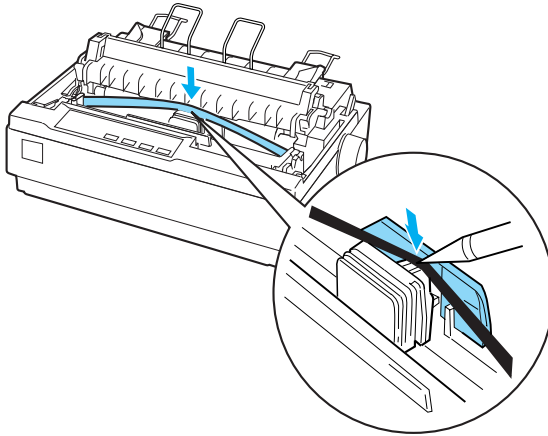
5. Turn the ribbon-tightening knob in the direction of the arrow to remove any slack from the ribbon so it is easier to install.



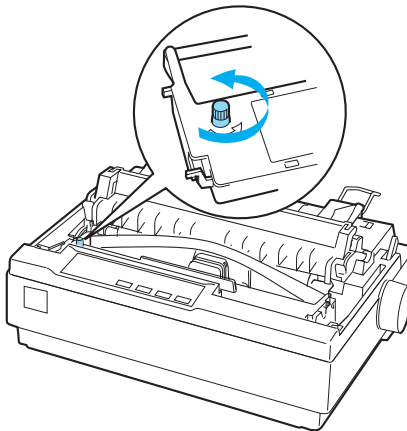
6. Insert the ribbon cartridge into the printer as shown; then press both sides of the cartridge firmly to fit the plastic hooks into the printer slots.



7. Use a pointed object, such as a ball point pen, to guide the ribbon between the print head and ribbon guide.



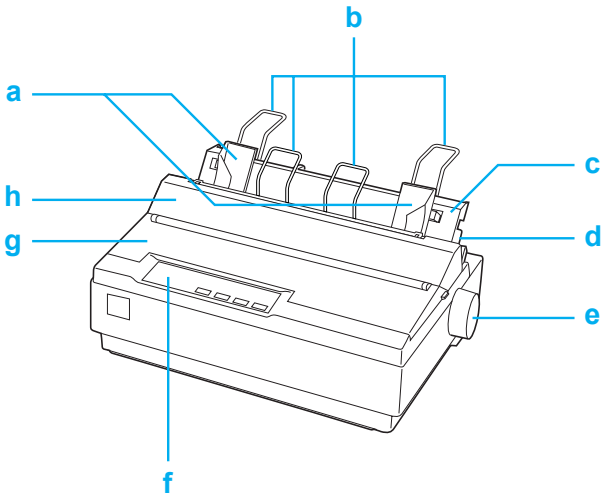
8. Turn the ribbon-tightening knob in the direction of the arrow to help feed the ribbon into place; it should not be twisted or creased.



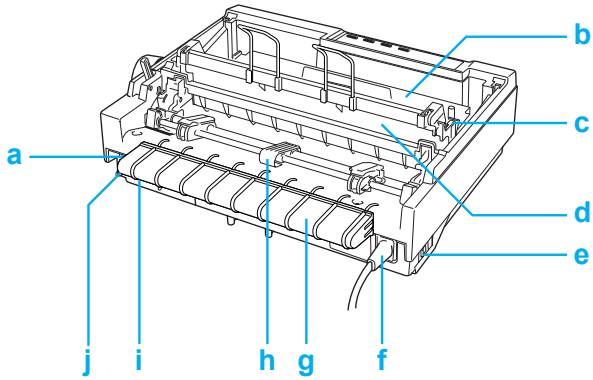
9. Reinstall the paper tension unit.
10. Reinstall and close the printer cover.

Product Information

Printer Parts



- a. edge guides
- b. paper supports
- c. paper guide
- d. paper release lever
- e. knob
- f. control panel
- g. printer cover
- h. paper guide cover



- a. serial interface
- b. ribbon cartridge
- c. paper thickness lever
- d. paper tension unit
- e. power switch
- f. power cord
- g. USB cable holder
- h. tractor
- i. USB interface
- j. parallel interface

Printer Specifications

Mechanical

Printing method:	24-pin impact dot matrix
Printing speed:	High speed draft 300 cps at 10 cpi
	Draft 225 cps at 10 cpi 270 cps at 12 cpi 337 cps at 15 cpi
	Draft condensed 192 cps at 17 cpi 225 cps at 20 cpi
	LQ 75 cps at 10 cpi 90cps at 12 cpi 112 cps at 15 cpi
	LQ condensed 128 cps at 17 cpi 150 cps at 20 cpi
Printing direction:	Bidirectional logic seeking for text and graphics printing. Unidirectional text or graphics printing can be selected using software commands.
Line spacing:	1/6-inch or programmable in 1/360-inch increments
Printable columns:	80 columns (at 10 cpi)
Resolution:	360 × 360 dpi maximum
Feeding method:	Friction feed (rear paper entry) Push tractor feed (rear paper entry) Push and Pull tractor feed (rear paper entry) Pull tractor feed (rear or bottom paper entry)

Feeder:	Rear push tractor Cut-sheet feeder (Optional) Pull tractor unit (Optional) Roll paper holder (Optional)	
Paper feed speed:	Continuous	92 mm/second (3.6 inches/second)
	Intermittent	53 msec/line at 1/6-inch line spacing
Color printing (optional):	Method	Print ribbon shifting
	Ribbon color	Black, Magenta, Cyan and Yellow
Reliability:	Total print volume	12 million lines (except print head) MTBF 6,000 POH (25% duty)
	Print head life	Black ribbon: 200 million strokes per wire Color ribbon: 100 million strokes per wire
Dimensions and weight:	Height	159 mm (6.26 inches)
	Width	366 mm (14.4 inches)
	Depth	275 mm (10.8 inches) (excluding the knob, paper release lever, etc.)
	Weight	approx. 4.4 kg (9.7 lb)
Ribbon:	Black ribbon cartridge (#7753) Color ribbon cartridge (S015077) Black film ribbon cartridge (#7768)	

Ribbon life	Black ribbon	2 million characters
(LQ, 10 cpi, 48 dots/ character)	Color ribbon	black: 1 million characters cyan: 0.7 million characters magenta: 0.7 million characters yellow 0.5 million characters
	Film ribbon	0.2 million characters
Acoustic noise:	Approx. 49 db (A) (ISO 7779 pattern)	

Electronic

Interfaces:	One standard bidirectional, 8-bit, parallel interface with IEEE-1284 nibble mode support, one EIA-232D serial interface, and one USB (ver1.1) interface
Buffer:	32KB
Built-in fonts:	<i>Bitmap fonts</i> EPSON Draft 10, 12, 15 cpi EPSON Roman 10, 12, 15 cpi, proportional EPSON Sans Serif 10, 12, 15 cpi, proportional EPSON Courier 10, 12, 15 cpi EPSON Prestige 10, 12 cpi EPSON Script 10 cpi EPSON OCR-B 10 cpi EPSON Orator 10 cpi EPSON Orator-S 10 cpi EPSON Script C proportional <i>Scalable fonts</i> EPSON Roman 10.5, 8-32 pt (every 2 pt) EPSON Sans Serif 10.5, 8-32 pt (every 2 pt) EPSON Roman T 10.5, 8-32 pt (every 2 pt) EPSON Sans Serif H 10.5, 8-32 pt (every 2 pt) <i>Bar code fonts</i> EAN-13, EAN-8, Interleaved 2 of 5, UPC-A, UPC-E, Code 39, Code 128, POSTNET

Character tables: One Italic and 12 graphical character tables:
Italic table,
PC 437 (US, Standard Europe),
PC 850 (Multilingual),
PC 860 (Portuguese),
PC 861 (Icelandic), PC 865 (Nordic),
PC 863 (French-Canadian),
BRASCII, Abicomp, ISO Latin 1,
Roman 8, PC 858, ISO 8859-15

The following 27 graphical character tables
are also available in some countries:

PC 437 Greek,
PC 852 (Eastern Europe),
PC 853 (Turkish), PC 855 (Cyrillic),
PC 857 (Turkish), PC 866 (Russian),
PC 864 (Arabic), PC 869 (Greek),
MAZOWIA (Poland),
Code MJK (CSFR),
ISO 8859-7 (Latin/Greek),
ISO Latin 1T (Turkish),
Bulgaria (Bulgarian),
PC 774 (LST 1283: 1993),
Estonia (Estonian),
PC 771 (Lithuanian), ISO 8859-2,
PC 866 LAT. (Latvian),
PC 866 UKR (Ukrainian),
PC APTEC (Arabic), PC 708 (Arabic),
PC 720 (Arabic), PC AR 864 (Arabic), PC437
Slovenia, PC MC, PC1250, PC1251

Character sets: 14 international character sets and one legal
character set:
USA, France, Germany, UK, Denmark I,
Sweden, Italy, Spain I
Japan, Norway, Denmark II, Spain II,
Latin America, Korea, Legal
Letter 7 sets can be selected only with the
ESC R command.

Electrical

	120 V Model	220 to 240 V Model
Input voltage range	AC 99 to 132 V	AC 198 to 264 V
Rated frequency range	50 to 60 Hz	
Input frequency range	49.5 to 60.5 Hz	
Rated current	0.6 A (maximum 1.4 A depending on the character type)	0.3 A (maximum 0.7 A depending on the character type)
Power consumption	Approx. 20 W (ISO/IEC 10561 letter pattern)	

Note:

Check the label on the back of the printer for the voltage of your printer.

Environmental

	Temperature (without condensation)	Humidity (without condensation)
Operation	5 to 35 °C (41 to 95 °F)	10 to 80% RH
Storage	-30 to 60 °C (-22 to 140 °F)	0 to 85% RH

Paper

Note:

- ❑ Use recycled paper, envelopes, labels and single-sheet multipart forms only under normal temperature and humidity conditions, as follows:
Temperature: 15 to 25 °C (59 to 77 °F)
Humidity: 30 to 60% RH
- ❑ Do not load paper that has been folded or is damaged, wrinkled, or curled.

Single sheets (standard): paper guide and cut-sheet feeder entry

Width	Paper guide: 100 to 257mm (3.9 to 10.1 inches)
	Cut-sheet feeder: 182 to 216mm (7.2 to 8.5 inches)
Length	Paper guide: 100 to 364 mm (3.9 to 14.3 inches)
	Cut-sheet feeder: 257 to 356 mm (10.1 to 14.0 inches)
Thickness	Paper guide: 0.065 to 0.14 mm (0.0025 to 0.0055 inch)
	Cut-sheet feeder: 0.07 to 0.14 mm (0.0028 to 0.0055 inch)
Weight	Paper guide: 52 to 90 g/m ² (14 to 24 lb)
	Cut sheet feeder: 64 to 90 g/m ² (18 to 24 lb)

Single-sheet multipart forms: paper guide entry

Width	100 to 257mm (3.9 to 10.1 inches)
Length	100 to 364 mm (3.9 to 14.3 inches)
Copies	1 original + up to 3 copies
Thickness	0.12 to 0.32 mm (0.0047 to 0.013 inch)
Weight	40 to 58 g/m ² (12 to 15 lb)
Binding	Line-glued at the top or one side of form

Envelopes: paper guide entry

Size	No. 6: 165 × 92 mm (6.5 × 3.6 inches) No. 10: 241 × 105 mm (9.5 × 4.1 inches)
Thickness	0.16 to 0.52 mm (0.0063 to 0.0205 inch)
Weight	45 to 90 g/m ² (12 to 24 lb)

Continuous paper (standard and multipart): rear and bottom entry

Width	101.6 to 254 mm (4.0 to 10.0 inches)
Length (one page)	101.6 to 558.8 mm (4.0 to 22.0 inches)
Copies	1 original + up to 3 copies
Thickness	0.065 to 0.32 mm (0.0025 to 0.013 inch) Gathering area up to 0.9 mm (0.035 inch)
Weight (not multipart)	52 to 82 g/m ² (14 to 22 lb)
Weight (one sheet of multipart)	40 to 58 g/m ² (12 to 15 lb)
Binding	Spot glued or crimp bound on both sides

Labels: bottom entry

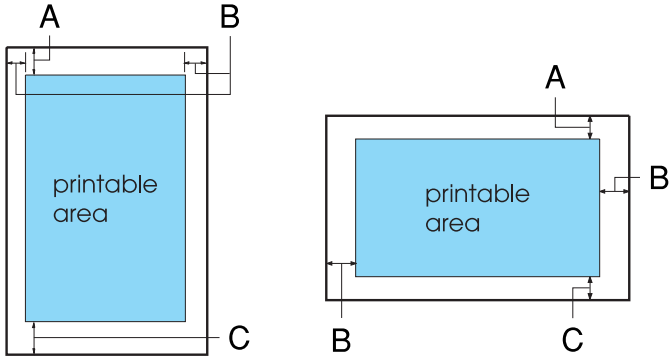
Label size	23.8 × 63.5 mm (15/16 × 2.5 inches) minimum 2.5 mm (0.1 inch) corner radius, minimum
Backing sheet width	101.6 to 254 mm (4.0 to 10.0 inches)
Backing sheet length	101.6 to 558.8 mm (4.0 to 22.0 inches)
Backing sheet thickness	0.07 to 0.09 mm (0.0028 to 0.0035 inch)
Total thickness	0.16 to 0.19 mm (0.0063 to 0.0075 inch)
Label weight	64 g/m ² (17 lb)

Roll paper: rear entry with optional roll paper holder

Width	216 mm (8.5 inches)
Thickness	0.07 to 0.09 mm (0.0028 to 0.0035 inch)
Weight	52 to 82 g/m ² (14 to 22 lb)

Printable area

Single sheets and envelopes:



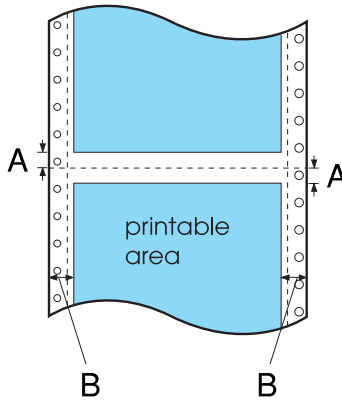
- A The minimum top margin is 4.2 mm (0.17 inch).
- B The minimum left and right margins are 3.0 mm (0.12 inch) each.

For single sheets the maximum paper width is 257mm (10.1 inches) and the maximum printable width is 203.2 mm (8.0 inches).

For single sheets wider than 209.2mm (8.23 inches), the side margins increase proportionally to match the width of the paper.

- C The minimum bottom margin is 4.2 mm (0.17 inch).

Continuous paper:

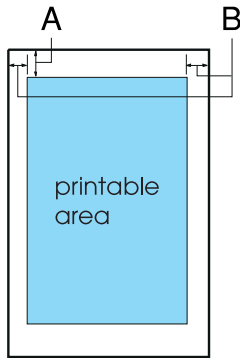


- A The minimum top and bottom margins above and below the perforation are 4.2 mm (0.17 inch) each.
- B The minimum left and right margins are 13 mm (0.51 inch) each.

The maximum paper width is 254 mm (10.0 inches) and the maximum printable width is 203.2 mm (8.0 inches).

For continuous paper wider than 229.2 mm (9.0 inches), the side margins increase proportionally to match the width of the paper.

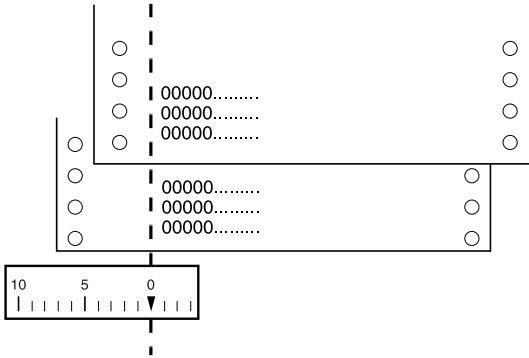
Roll paper:



- A The minimum top margin is 4.2 mm (0.17 inch).
- B The minimum left margin is 3.0 mm (0.12 inch).
The minimum right margin is 3.0 mm (0.12 inch).
The maximum printable width is 203.2 mm (8.0 inches).

Paper alignment

Printing starts at "0" on the scale. The unprintable area is to the left of the "0."



Command Lists

Your printer supports the EPSON ESC/P 2 control codes and IBM 2390 Plus emulation control codes listed below.

EPSON ESC/P 2 control codes

Selecting an EPSON ESC/P 2 printer in your software allows you to use advanced fonts and graphics.

General operation:

ESC @, ESC U, ESC EM

Paper feeding:

FF, LF, ESC 0, ESC 2, ESC 3, ESC +, CR

Page format:

ESC (C, ESC C, ESC C 0, ESC Q, ESC l, ESC (c, ESC N, ESC O

Print position motion:

ESC \$, ESC \, ESC (V, ESC (v, ESC D, HT, ESC B, VT, ESC J

Font selection:

ESC k, ESC x, ESC y, ESC X, ESC P, ESC M, ESC g, ESC p, ESC 4, ESC 5, ESC E, ESC F, ESC !

Font enhancement:

ESC W, DC4, SO, DC2, SI, ESC w, ESC G, ESC H, ESC T, ESC S, ESC -, ESC (-, ESC q

Spacing:

ESC Space, ESC c, ESC (U

Character handling:

ESC t, ESC (t, ESC R, ESC %, ESC &, ESC :, ESC 6,
ESC 7, ESC (^

Bit image:

ESC *

Bar code:

ESC (B

IBM 2390 Plus emulation control codes

This printer emulates the IBM Proprinter using the commands below. For detailed information, see the IBM 2390 Plus reference manual.

General operation:

NUL, DC3, ESC j, BEL, CAN, DC1, ESC Q, ESC [K, ESC U, ESC
[F

Paper feeding:

FF, LF, ESC 5, ESC A, ESC A (AGM*), ESC 0, ESC 1, ESC 2,
ESC 3, ESC 3 (AGM*), CR, ESC]

Page format:

ESC C, ESC C0, ESC X, ESC N, ESC O, ESC 4

Print position motion:

ESC d, ESC R, ESC D, HT, ESC B, VT, ESC J, ESC J (AGM*)

Font selection:

DC2, ESC P, ESC :, ESC E, ESC F, ESC I, ESC [d, ESC [I

Font enhancement:

DC4, SO, ESC SO, ESC W, ESC [@, SI, ESC SI, ESC G, ESC H,
ESC T, ESC S, ESC -, ESC _, ESC [-

Spacing:

BS, SP, ESC [\

Character handling:

ESC 6, ESC 7, ESC [T, ESC ^, ESC \

Bit image:

ESC K, ESC L, ESC Y, ESC Z, ESC [g, ESC*(AGM*)

Bar code:

ESC [f, ESC [p

Download:

Download Command is not provided.

* Alternate Graphic Mode

Standards and approvals

Safety Approvals

230 V version:

Safety standards	EN60950
EMC	EN55022 class B EN61000-3-2 EN61000-3-3 EN55024 AS/NZS CISPR22 class B

CE marking

230 V version:

Low Voltage Directive 73/23/EEC	EN60950
EMC Directive 89/336/EEC	EN55022 class B EN61000-3-2 EN61000-3-3 EN55024

Cleaning the Printer

To keep your printer operating at its best, you should clean it thoroughly several times a year.

Follow these steps to clean your printer:

1. Remove any paper loaded in the printer. Make sure the printer is turned off.
2. Remove the paper guide. If a pull tractor or an optional cut-sheet feeder is installed, remove it.
3. Use a soft brush to carefully brush away all dust and dirt from the outer case and paper guide.
4. If the outer case or paper guide is still dirty or dusty, clean them with a soft, clean cloth dampened with a mild detergent dissolved in water. Keep the printer cover in place and lower it until it lies flat on the top of the printer to prevent water from getting inside the printer.



Caution:

- ❑ *Never use alcohols or thinners to clean the printer; these chemicals can damage the printer components as well as the case.*
- ❑ *Be careful not to get water onto the printer mechanism or electronic components.*
- ❑ *Do not use a hard or abrasive brush.*
- ❑ *Do not spray the inside of the printer with lubricants; unsuitable lubricants can damage the printer mechanism. Contact an EPSON dealer if you think lubrication is needed.*

Transporting the Printer

If you need to transport your printer for some distance, carefully repack it using the original box and packing materials.

Follow these steps to repack the printer in its original packing materials:



Warning:

- ❑ *When transporting the printer, do not lift it by the USB cable holder as the holder may detach and cause the printer to fall. Hold the bottom left and right sides of the printer firmly to lift it.*

 - ❑ *You need to move the print head by hand to remove the ribbon cartridge. If you have just used the printer, the print head may be hot; let it cool for a few minutes before touching it.*
1. Remove any paper loaded in the printer. Make sure the printer is turned off.
 2. Unplug the power cord from the electrical outlet; then disconnect the interface cable from the printer.
 3. Lower the paper guide. Remove the USB cable holder.
 4. If a pull tractor is installed, remove it. If any options are installed, remove them and pack them in their original boxes.
 5. Make sure that the print head is not hot. Then remove the ribbon cartridge as described in “Replacing the Ribbon Cartridge”.
 6. Make sure the tractor that comes with your printer is installed in the push position.
 7. Repack the printer, ribbon cartridge, USB cable holder and power cord in their original packing materials and place them in the printer’s original box.

Glossary

ASCII

American Standard Code for Information Interchange. A standardized coding system for assigning numerical codes to letters and symbols.

auto line feed

When this feature is selected in the default-setting mode, each carriage-return (CR) code is automatically followed by a line-feed (LF) code.

bidirectional printing

Printing in which the print head prints in both directions (bidirectionally). This increases the print speed but may reduce precise vertical alignment. Bidirectional printing is this printer's standard printing mode. See also "*unidirectional printing*".

buffer

The portion of the printer's memory used to store data before it is printed.

character table

A collection of letters, numbers, and symbols that constitute the set of characters used in a particular language.

characters per inch (cpi)

A measurement of the size of text characters.

continuous paper

Paper that has sprocket-feed holes on both sides, is perforated between pages, and is supplied in a folded stack. Also called fanfold paper.

control code

A special code used to control a printer function such as performing a carriage return or line feed.

cpi

See "*characters per inch (cpi)*".

data dump

See "*hex dump*".

default

A value that takes effect when the equipment is turned on, reset, or initialized.

dithering

A way of arranging dots on a page to simulate a shade or tone.

dot matrix

A method of printing in which each letter or symbol is formed by a pattern (matrix) of individual dots.

draft

The print mode used by your printer when you select Draft as the font. The Draft font uses less dots per character for faster printing. See also "*high speed draft*".

driver

See "*printer driver*".

ESC/P

Abbreviation for EPSON Standard Code for Printers. This is the system of commands your computer uses to control your printer. It is standard for all EPSON printers and supported by most application software for personal computers.

ESC/P 2

The enhanced version of the ESC/P printer command language. Commands in this language produce laser-like results, such as scalable fonts and enhanced graphics.

fanfold paper

See "*continuous paper*".

font

A style of type designated by a name such as Roman or Sans Serif.

form feed (FF)

A control code and control panel button that advances the paper to the next top-of-form position.

hex dump

A troubleshooting method that helps identify the cause of communication problems between the printer and the computer. When the printer is in hex dump mode, it prints each code that it receives in hexadecimal notation and ASCII characters. Also called data dump.

high speed draft

A mode of draft printing you can select using the default-setting mode. High speed draft uses a minimum number of dots per character to produce extremely high-speed printing. See also "*draft*" and "*letter quality (LQ)*".

interface

The connection between the computer and the printer over which print data is transmitted to the printer.

letter quality (LQ)

The print mode used by your printer when a font other than Draft is selected. Printing with letter-quality fonts provides better readability and appearance at a reduced print speed. See also “*draft*” and “*high speed draft*”.

line feed (LF)

A control code and control panel button that advances the paper one line space.

loading position

The position to which the paper is automatically loaded.

platen

The black flat part that provides a backing for the paper during printing.

printable area

The area of a page on which the printer can print. It is smaller than the physical size of the page due to margins.

printer driver

A software program that sends commands from the computer for using the functions of a particular printer.

reset

To return a printer to its default settings.

resolution

A measure of the amount of detail that can be represented. Resolution of printed images is measured in number of dots per inch (dpi).

self test

A method for checking the operation of the printer. When you run the self test, the printer prints the characters stored in its ROM (Read Only Memory).

tear off

A control panel button that feeds the perforation of continuous paper to the tear-off position and then feeds the paper back to the top-of-form position.

tear-off position

The position the printer feeds the paper to when the auto tear-off mode is on. Using the Micro Adjust function, you can adjust the position so that the paper's perforation meets the printer's tear-off edge.

top-of-form position

The position on the paper that the printer recognizes as the first printable line. This is the default top-margin position.

unidirectional printing

Printing in which the print head prints in one direction only. Unidirectional printing is useful for printing graphics because it allows precise vertical alignment. You can select unidirectional printing in the printer's default-setting mode. See also "*bidirectional printing*".

Index

Numerics

0 slash, 84

A

A.G.M. (Alternate Graphic Mode), 87

Adjusting

paper thickness lever, 33

tear-off position, 28

top-of-form position, 24

Aligning vertical lines, 109

Auto CR (carriage return), 86

Auto I/F (interface) wait time, 85

Auto line feed, 83

Auto tear-off, 83

B

Baud rate, 85

Bidirectional (Bi-d) printing., 84

Built-in font

list, 133

Buttons., 78

Buzzer (beeper) setting, 87

C

Canceling printing, 72

Character table

list, 134

setting, 86

Cleaning the printer, 147

Clients

with Windows Me or 98, 63

with Windows NT 4.0, 68

with Windows XP or 2000, 65

Contacting EPSON, 111

Continuous paper

printing, 14

specifications, 137

Control panel, 78, 89
Customer support, 111
Cut-sheet feeder, 112

D

Data length, 85
Default settings
 changing, 87
 option list, 81
Driver (printer driver), 37

E

Emulation., 144
Envelopes
 printing, 36
 specifications, 137
EPSON Status Monitor 3, 37, 53
 accessing, 56
 installing, 57
 setting up, 54
Error indication, 89
ESC/P 2, 143

F

Font, 86
Font (default setting), 86

H

High speed draft (default setting), 84

I

I/F (interface) mode, 84
IBM 2390 Plus emulation, 144
International character set for Italic table, 86
International character sets, 134

L

Labels

- printing, 35
- specifications, 138

Lights., 78

M

Manual feed wait time, 87

Micro adjust, 24, 28

Multipart forms

- printing, 34
- specifications, 137

O

Options

Color upgrade kit, 120

Cut-sheet feeder, 112

Pull tractor unit, 116

Roll paper holder, 118

P

Packet mode, 86

Page length for tractor, 83

Panel., 78

Paper alignment, 142

Paper specifications, 136

Paper thickness lever, 33

Parallel I/F (interface) bidirectional mode, 85

Parity, 85

Pitch, 86

Printable area, 139

Print direction, 84

Printer

sharing, 58

Printer driver

accessing

from Windows Me or 98, 39

from Windows XP, 2000 or Windows NT 4.0, 44

settings, 50

uninstalling, 73

R

- Removing
 - printed document from
 - push tractor, 18
- Ribbon cartridge, 131
- Roll paper
 - printing, 118
 - specifications, 138
- Roll paper holder, 118

S

- Self test, 109
- Single sheets
 - printing, 30
 - specifications, 136
- Skip over perforation, 83
- Software
 - default setting, 84
- Specifications
 - built-in font, 133
 - character tables, 134
 - command lists
 - ESC/P 2, 143
 - IBM 2390 Plus emulation, 144
 - electrical, 135
 - environmental, 135
 - international character sets, 134
 - mechanical, 130
 - paper, 136
 - paper alignment, 142
 - printable area, 139
- Status Monitor 3, 53

T

- Tear-off, 27
 - adjusting, 28
 - automatically, 27
 - button, 27
- Technical support, 111
- Transporting the printer, 148
- Troubleshooting
 - USB problems, 105

U

Unidirectional (Uni-d) printing, 84

Uninstalling

 printer software, 73

 USB device driver, 76

USB interface, 84

 problems, 105