

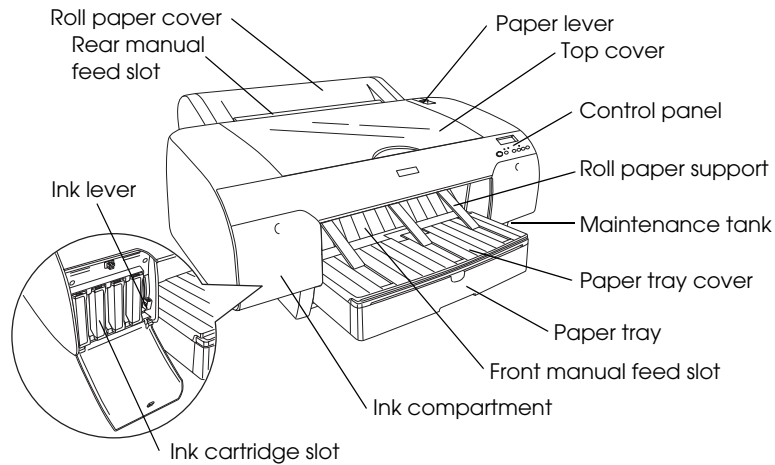
EPSON STYLUS™ **PRO 4450**
EPSON STYLUS™ **PRO 4880**
EPSON STYLUS™ **PRO 4880C**

Setup Guide

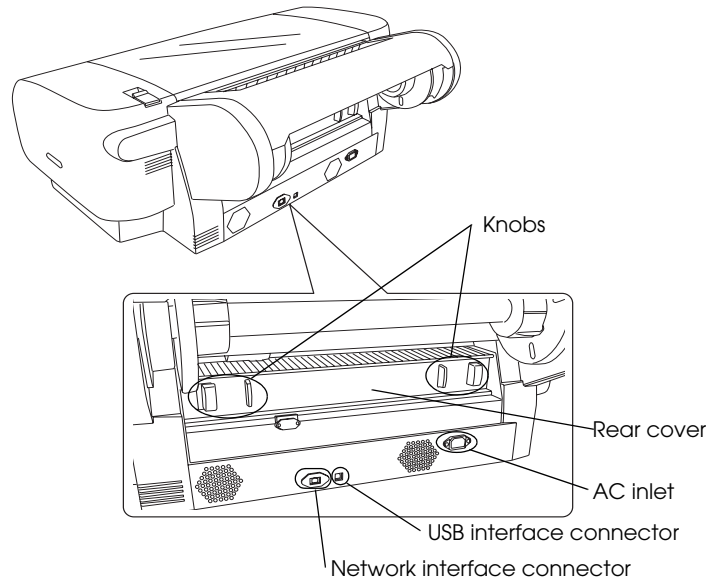
Safety Instructions	1
Assembling the Printer	2
Setting Up the Printer	3
Loading Roll Paper	6
Loading Cut-Sheet Paper	8
Connecting the Printer with Your Computer. . . .	11
Installing the Printer Driver and Software.	12
Using the Online User's Guide	13

Printer Parts

Front view



Rear view



No part of this publication may be reproduced, stored in a retrieval system, or transmitted in any form or by any means, electronic, mechanical, photocopying, recording, or otherwise, without the prior written permission of Seiko Epson Corporation. The information contained herein is designed only for use with this Epson printer. Epson is not responsible for any use of this information as applied to other printers.

Neither Seiko Epson Corporation nor its affiliates shall be liable to the purchaser of this product or third parties for damages, losses, costs, or expenses incurred by the purchaser or third parties as a result of accident, misuse, or abuse of this product or unauthorized modifications, repairs, or alterations to this product, or (excluding the U.S.) failure to strictly comply with Seiko Epson Corporation's operating and maintenance instructions.

Seiko Epson Corporation shall not be liable for any damages or problems arising from the use of any options or any consumable products other than those designated as Original Epson Products or Epson Approved Products by Seiko Epson Corporation.

Seiko Epson Corporation shall not be held liable for any damage resulting from electromagnetic interference that occurs from the use of any interface cables other than those designated as Epson Approved Products by Seiko Epson Corporation.

EPSON® is a registered trademark, and EPSON STYLUS™ and Exceed Your Vision are trademarks of Seiko Epson Corporation.

Microsoft® and Windows® are registered trademarks of Microsoft Corporation.

Apple® and Macintosh® are registered trademarks of Apple Inc.

General Notice: Other product names used herein are for identification purposes only and may be trademarks of their respective owners. Epson disclaims any and all rights in those marks.

Copyright © 2007 Seiko Epson Corporation. All rights reserved.

Safety Instructions

Read all of these instructions before using your printer. Also be sure to follow all warnings and instructions marked on the printer.

Warning, Cautions, and Notes



Warnings must be followed carefully to avoid bodily injury.

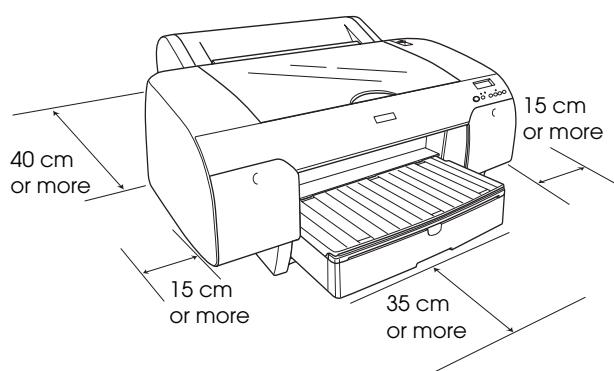


Cautions must be observed to avoid damage to your equipment.

Notes contain important information and useful tips on the operation of your printer.

When choosing a place for this product

- ❑ Place this product on a flat, stable surface that is larger than this product. This product will not operate properly if it is tilted or at an angle.



- ❑ Avoid places subject to rapid changes in temperature and humidity. Also keep this product away from direct sunlight, strong light, or heat sources.
- ❑ Avoid places subject to shocks and vibrations.
- ❑ Keep this product away from dusty areas.
- ❑ Place this product near a wall outlet where the plug can be easily unplugged.
- ❑ If you use a stand, the stand must be able to support at least 50 kg (110.3 lb).

When setting up this product

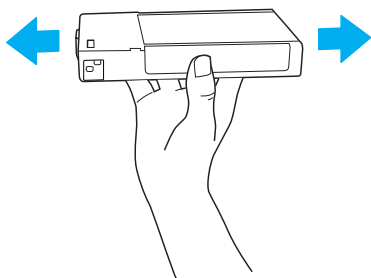
- ❑ Use only the type of power source indicated on this product's label.
- ❑ Use only the power cord that comes with this product. Use of another cord may result in fire or electric shock.
- ❑ This product's power cord is designed for use with this product only. Using it with other equipment may result in fire or electric shock.
- ❑ Do not use a damaged or frayed power cord.
- ❑ If you use an extension cord with this product, make sure the total ampere rating of devices plugged into the extension cord does not exceed the cord's ampere rating. Also, make sure the total ampere rating of all devices plugged into the wall outlet does not exceed the wall outlet's ampere rating.
- ❑ Do not block or cover the openings in this product's cabinet.
- ❑ If damage occurs to the plug, replace the cord set or consult a qualified electrician. If there are fuses in the plug, make sure you replace them with fuses of the correct size and rating.

When using this product

- ❑ Do not put your hand inside this product or touch the ink cartridges during printing.
- ❑ Do not move the print head by hand; otherwise you may damage this product.
- ❑ Do not insert objects through the slots. Take care not to spill liquid on this product.
- ❑ Do not attempt to service this product yourself.
- ❑ Unplug this product and refer servicing to qualified service personnel under the following conditions:
The power cord or plug is damaged; liquid has entered this product; this product has been dropped or the cabinet damaged; this product does not operate normally or exhibits a distinct change in performance.

When handling the ink cartridges

- ❑ Keep ink cartridges out of the reach of children and do not drink their contents.
- ❑ Store ink cartridges in a cool, dark place.
- ❑ If ink gets on your skin, wash it off with soap and water. If ink gets in your eyes, flush them immediately with water.
- ❑ Shake an ink cartridge well before installing it for best results.



Caution:

Do not shake cartridges (that have been installed previously) with too much force.

- ❑ Do not use an ink cartridge beyond the date printed on the cartridge carton.
- ❑ Use up the ink cartridge within six months of installation for best results.
- ❑ Do not dismantle the ink cartridges or try to refill them. This could damage the print head.
- ❑ Do not touch the ink supply port or its surrounding area and the green IC chip on the side of the ink cartridge. Doing so may affect normal operation and printing.

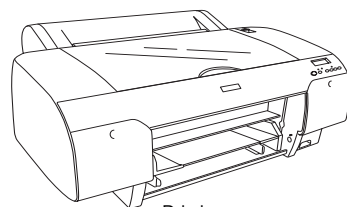
ENERGY STAR® Compliance



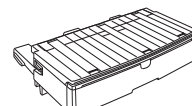
Assembling the Printer

Checking the contents

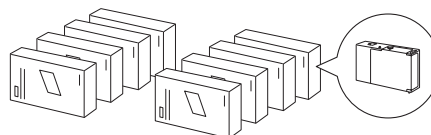
Make sure that all of the items shown are included, and are not damaged.



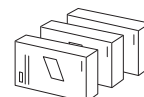
Printer



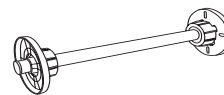
Paper tray



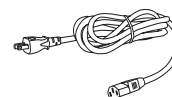
Ink cartridges



Black ink conversion kit
(for EPSON Stylus Pro 4880/4880C only)



Roll paper spindle and gray attachments for
roll paper with 3-inch core



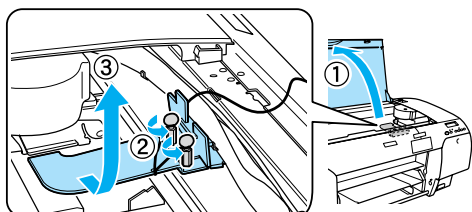
Power cord

Note:

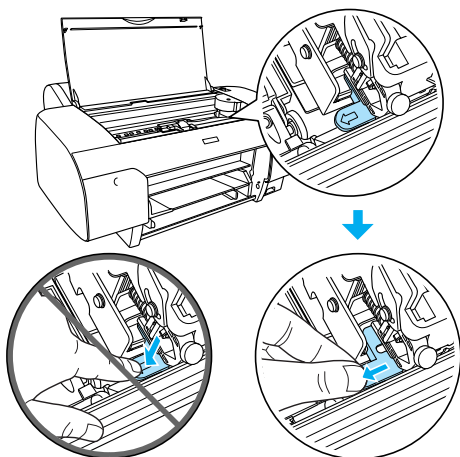
- ❑ The contents in the printer box vary by location.
- ❑ There are 4 ink cartridges for EPSON Stylus Pro 4450 and 8 ink cartridges for EPSON Stylus Pro 4880/4880C.

Removing the protective materials

To prevent damage during shipping, your printer is packed with several pieces of protective material. Remove the protective material from your printer before using it. Open the top cover, loosen the two screws, and then pull out the carriage fixed board.

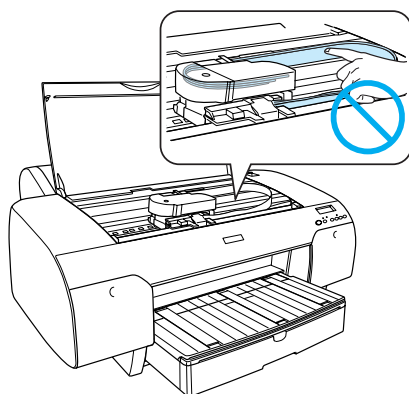


You also need to unlock the print head, by pulling the green tab on the left side of the print head.



Caution:

Be careful not to touch the parts highlighted below; otherwise, the printer may be damaged.



Setting Up the Printer

Connecting the power cord

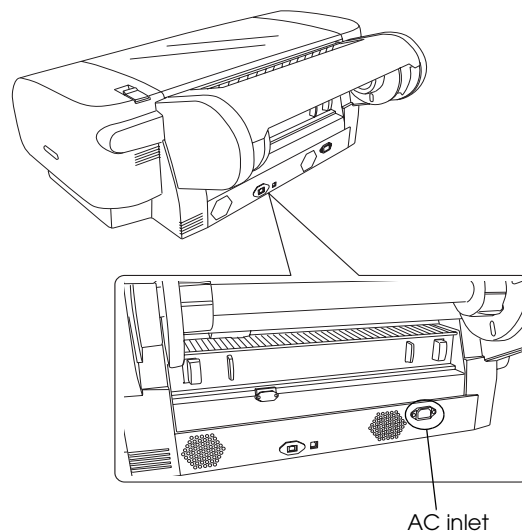
1. Check the label on the back of the printer to make sure the voltage required by the printer matches that of the wall outlet. Also, make sure that you have the correct power cord for your power source.



Caution:

It is not possible to change the printer's voltage. If the rated voltage and your outlet voltage do not match, do not plug in the power cord, and contact your dealer for assistance.

2. Connect the power cord to the AC inlet on the back of the printer.



3. Plug the power cord into a properly grounded wall outlet.

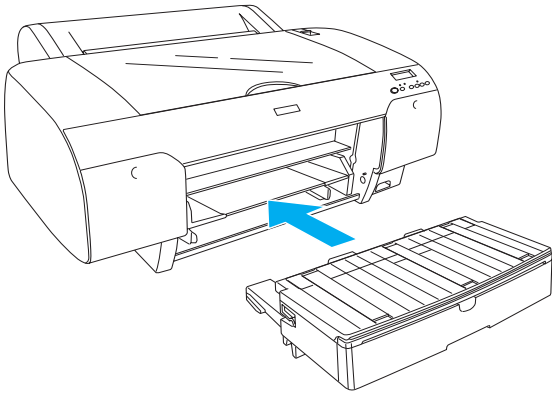


Caution:

Do not use an outlet that is controlled by an automatic timer or a wall switch; otherwise, accidental shut down or damage to your printer may occur.

Installing the paper tray

Insert the paper tray in the slots at the front of the printer.



Installing the ink cartridges



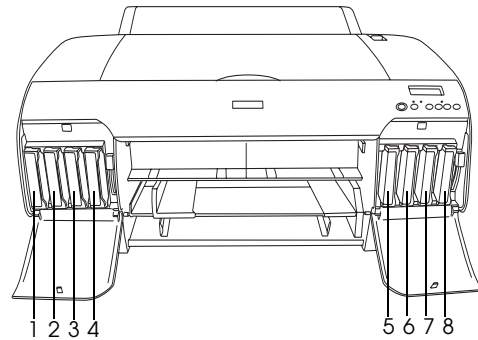
Warning:

The ink cartridges are self-contained units. Under ordinary use, ink does not leak from the cartridges. If ink does get on your hands, wash them thoroughly with soap and water. If ink gets into your eyes, flush them immediately with water.

Note:

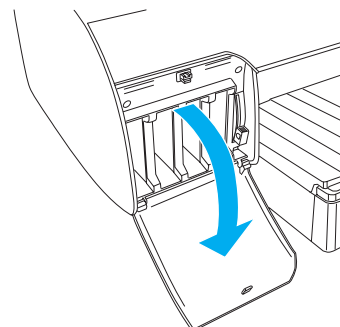
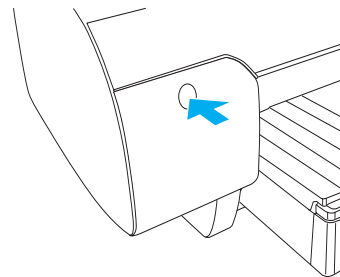
- ❑ The ink cartridges packaged with your printer are partly used during the initial setup. In order to produce high-quality prints, the print head in your printer will be fully charged with ink. This one-off process consumes a quantity of ink and therefore these cartridges print fewer pages compared to subsequent ink cartridges.
- ❑ Initial ink charging requires approximately 8 minutes.
- ❑ Each slot can hold a particular color of ink. Be sure to install the ink cartridges in the correct slots according to the ink mode you choose.
- ❑ The following illustration uses EPSON Stylus Pro 4880/4880C. Slot # 5 to 8 are not available on EPSON Stylus Pro 4450.

- ❑ The right ink compartment of EPSON Stylus Pro 4450 cannot be opened. Do not press the cover too hard; otherwise, you may break it.

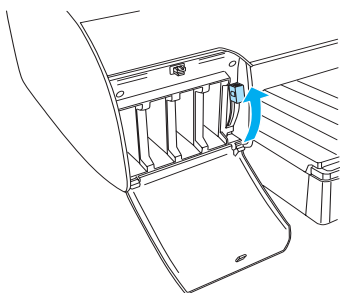


No.	EPSON Stylus Pro 4880/4880C	EPSON Stylus Pro 4450
#1	Matte Black or Photo Black	Matte Black
#2	Cyan	Cyan
#3	Vivid Magenta	Magenta
#4	Yellow	Yellow
#5	Light Black	-
#6	Light Cyan	-
#7	Vivid Light Magenta	-
#8	Light Light Black	-

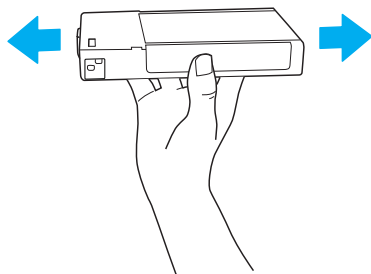
1. Turn on the printer by pressing the Power button. After a short time **NO INK CRTG** appears on the LCD panel.
2. Open the ink compartment cover(s) by pushing it.



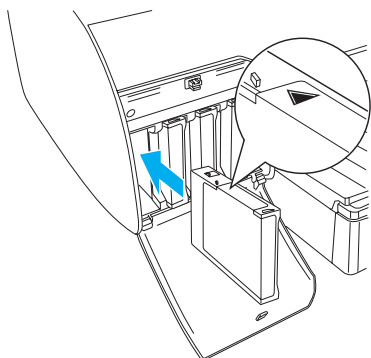
3. Raise the ink levers.



4. Remove the package from an ink cartridge, and then shake the ink cartridge well for best results.

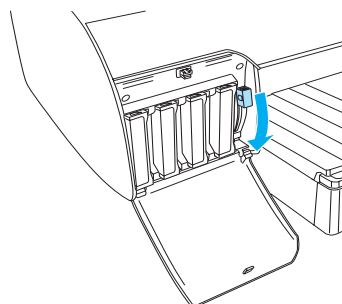


5. Hold the ink cartridge with the arrow mark facing up and pointing to the rear of the printer, and then insert it in the slot.



6. Repeat steps 4 to 5 to install the other ink cartridges.

7. After inserting all ink cartridges in their corresponding slot, lower the ink levers. The printer starts initial ink charging.



8. After approximately two minutes, ink lever messages appear on the LCD panel. Raise or lower the ink levers accordingly until READY appears on the LCD panel, which indicates initial ink charging is completed.



Caution:

Never perform the following tasks while the Pause light is flashing; otherwise, damage may occur.

- Turn off the printer.
 - Open the top cover.
 - Remove the rear cover.
 - Move the paper lever to the released position.
 - Remove the ink cartridges.
 - Remove the maintenance tank.
 - Unplug the power cord.
9. Close the ink compartment cover(s).

Note:

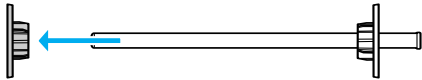
If you have installed 220 ml ink cartridges, do not close the ink compartment cover(s).

Loading Roll Paper

Attaching the roll paper to the spindle

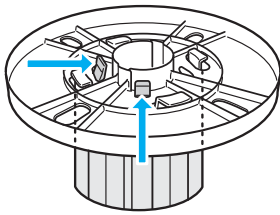
When installing the roll paper onto the spindle, follow the steps below.

1. Slide the movable flange off the end of the spindle.



2. When attaching roll paper with a 3-inch core, keep the gray attachments attached.

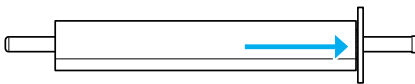
When attaching the roll paper with a 2-inch core, remove the gray attachments from the flange.



Note:

Keep the gray attachments in a safe place for future use.

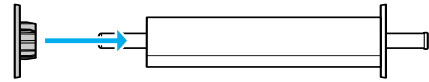
3. Place the roll paper on a flat surface so that it does not unwind. Slide the roll paper onto the spindle and onto the flange until it fixes into place.



Note:

Do not stand the spindle when attaching the roll paper. It may cause slant paper feeding.

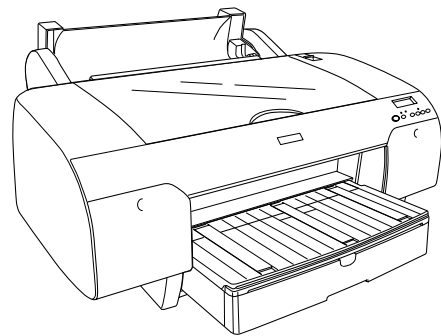
4. Slide the movable flange (removed in step 1) onto the spindle and into the end of the roll paper until it fixes into place.



Attaching roll paper to the printer

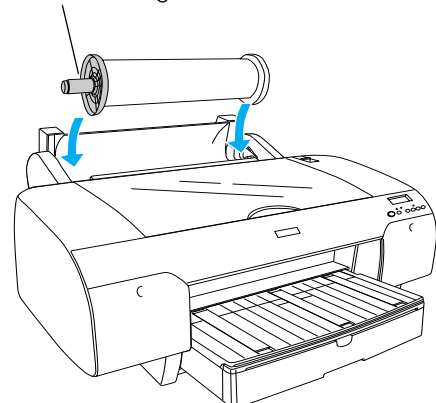
To attach roll paper to the printer, follow the steps below.

1. Open the roll paper cover.

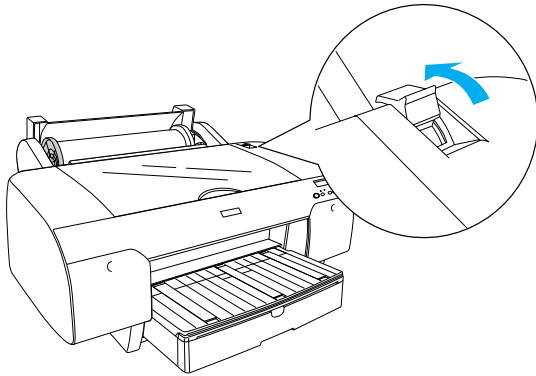


2. Make sure that the movable flange is fixed into the end of the roll paper properly.
3. Hold the roll paper spindle so that the black movable flange is on the left side. Then place the spindle in the groove located on the top of the printer.

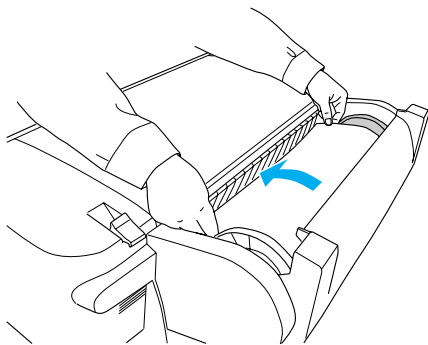
Black movable flange



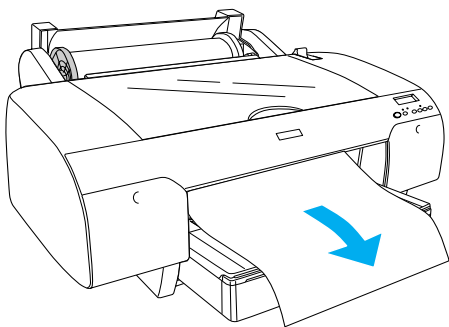
4. Move the paper lever to the released position.



5. Hold the both sides of the paper, and load the paper in the paper insertion slot.



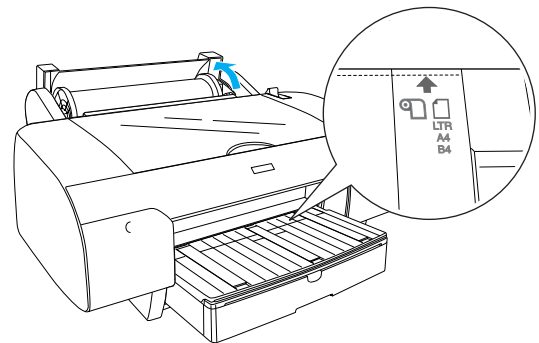
6. Pull the paper until it hangs down over the paper tray.



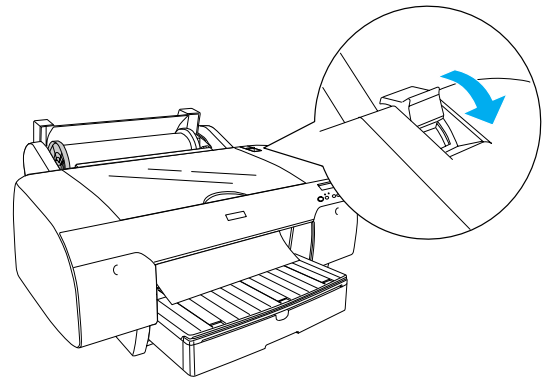
Note:

If thin paper is loaded, press the Paper Feed ∇ button to decrease the value of paper suction. If thick and curled paper is loaded, press the Paper Feed \blacktriangle button to increase the value of paper suction.

7. Hold both the fixed and movable flanges, and rewind the paper to the line marked with an arrow mark.

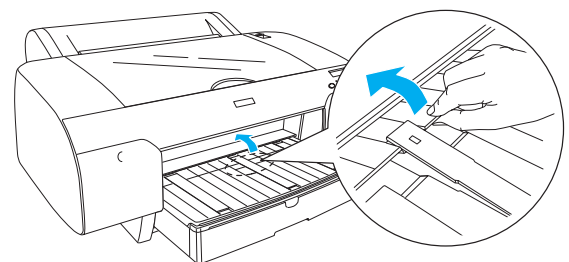


8. Move the paper lever to the secured position. The printer automatically feeds the paper to the printing position.

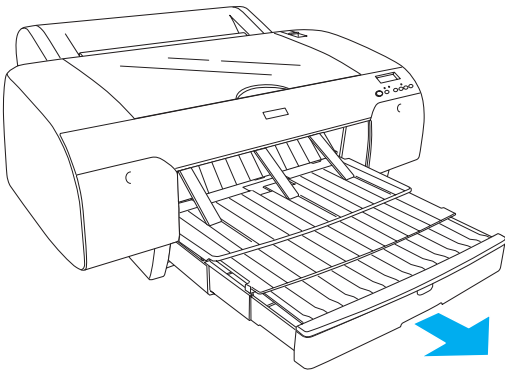


9. Close the roll paper cover.

10. Raise the roll paper support.



11. Extend the paper tray and the paper tray cover according to the paper length to be used for printing.



12. Press the Paper Source < button to select Roll Auto Cut On $\text{☐}\%$ on the LCD panel.



Caution:

Do not leave the paper in the printer for a long period of time; its quality will deteriorate. We recommend that you remove the paper from the printer after printing.

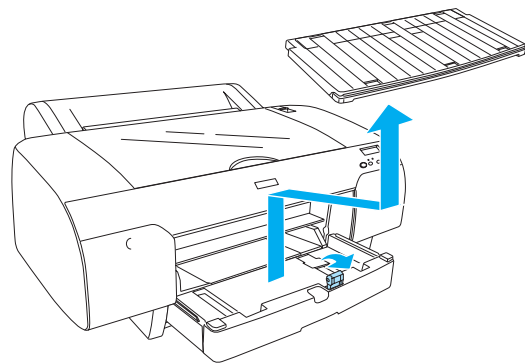
Loading Cut-Sheet Paper

To load cut-sheet paper in the paper tray, follow the steps below.

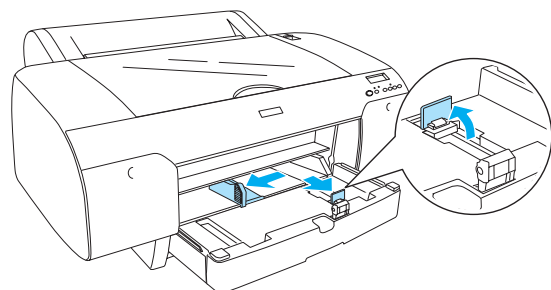
Note:

This section describes loading cut-sheet paper smaller than A3 size. If you want to load A3 or a larger paper, or if you want to know the details of paper handling, see "Paper Handling" in the User's Guide included on the Printer Software CD-ROM shipped with your printer.

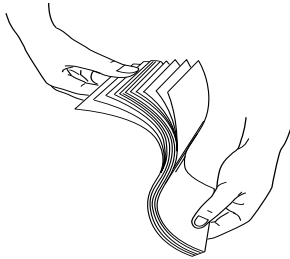
1. Make sure the printer is on and in the READY state.
2. Press the Paper Source < button to select Sheet ☐ on the LCD panel.
3. Lift up the paper tray cover, and then pull the paper guide roller up.



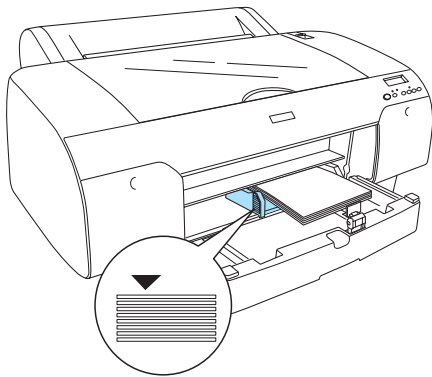
4. Raise the paper guide, and then slide the edge guide to the left slightly wider than the width of your paper.



5. Fan a stack of paper, and then tap it on a flat surface to even the edges. If the paper is curled, flatten it before you load it. If it curls excessively and jams frequently, stop using it.



6. Clean the inside of the tray to remove any dust. Dust may decrease the printout quality.
7. Load the sheets with the printable side facing down and the right edge of the paper resting against the right side of the paper tray.



Note:

- ❑ Always set the paper's short edge first.
- ❑ Make sure the sheets lie flat on the bottom of the tray, and put the edge of the paper against the right inner corner of the paper tray; otherwise, printing may become misaligned.

- ❑ The loadable capacity of paper in the paper tray differs depending on the media and its size.

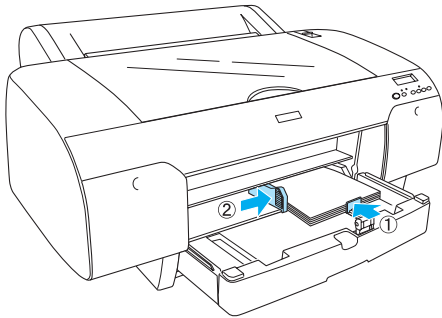
The paper tray can hold up to 250-sheets of 17 lb or 64 g/m² plain paper. Do not load the paper above the arrow mark on the inside surface of the left edge guide.

For information on the loadable capacity of Epson special media, see the following table.

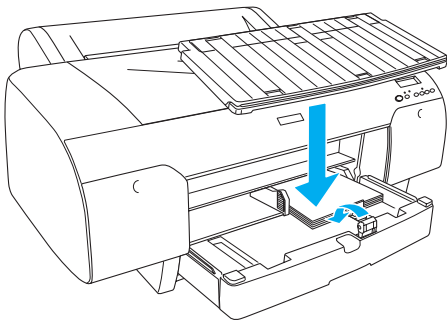
Epson special media	Size	Loadable capacity in the paper tray
Premium Semigloss Photo Paper	A4	100
	Letter	100
	A3	50
Premium Luster Photo Paper	Super A3/B	50
	Letter	100
Singleweight Matte Paper	Super A3/B	100
	A2	50
	US C	50
Photo Quality Ink Jet Paper	Super A3/B	100
	A3	100
	Letter	200
Epson Proofing Paper White Semimatte	A4	200
	Super A3/B	1*
Archival (Enhanced) Matte Paper	Super A3/B	50
	A3	50
	Letter	100
	A2	50
	US C	50
Watercolor Paper-Radiant White	Super A3/B	20

* 50 sheets of paper can be set under the following conditions (temperature is 15 to 23°C and humidity is 40 to 60%).

8. Adjust the length of the paper guide and the edge guide according to the paper size.



9. Put the paper guide roller down, and then re-attach the paper tray cover.



Note:

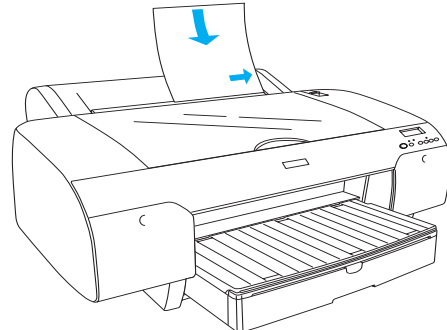
Make sure the roll paper support is not raised.

Loading paper into the rear manual feed slot

Note:

- ❑ You can load one sheet at a time into the rear feed slot.
- ❑ Load paper with the printable surface up.
- ❑ Paper with a thickness between 0.08 and 1.6 mm can be set in the landscape position. However, always set recycled or plain paper and A4, Letter size, or 8 × 10 in. paper in the portrait position, regardless of the thickness.

1. Make sure the printer is on and in the READY state.
2. Press the Paper Source < button to select Sheet on the LCD panel.
3. Hold the left and right edges of the paper. Align the left edge of the paper with the target paper size on the roll paper cover, and then insert the paper until it meets resistance.

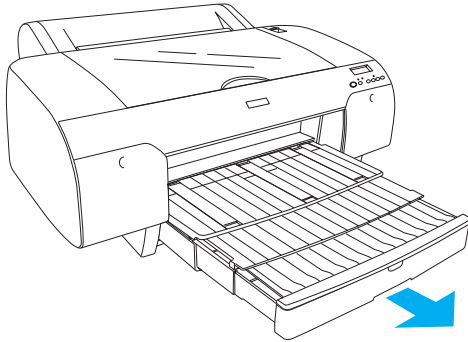


The printer automatically feeds the paper to the printing position.

Note:

If you press the Pause button, the printer starts to feed the paper to the printing position immediately.

4. Adjust the length of the paper tray and the paper tray cover according to the paper size. If you do not extend them, the printout may fall.



Note:

Make sure the roll paper support is not raised.



Caution:

Do not leave the paper in the printer for a long period of time; its quality will deteriorate. We recommend that you remove the paper from the printer after printing.

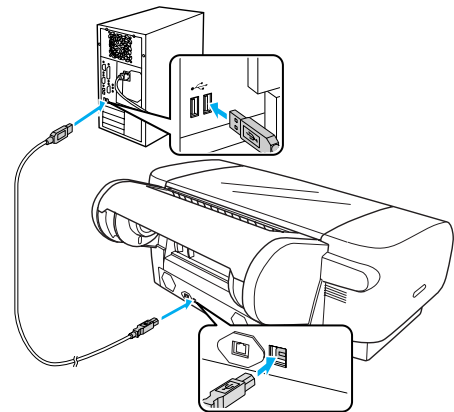
Connecting the Printer with Your Computer

Connect the printer and computer with a USB cable or Ethernet cable. Use the following cables.

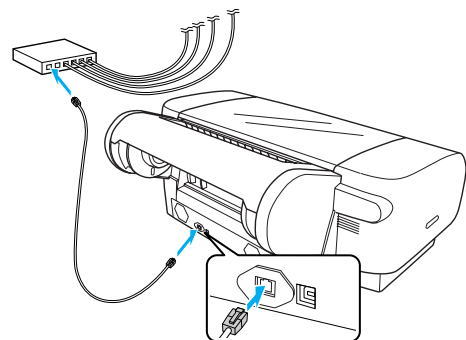
- USB cable
- 10BaseT or 100BaseTX Category 5 Shielded twisted-pair cable

1. Make sure the printer is turned off.
2. Connect the cable to the printer, and plug the other end of the USB cable to the computer or the other end of the Ethernet cable to the Ethernet hub.

USB connection:



Network connection:



Note:

When you connect both USB cable and Ethernet cable, install the printer software from each computer separately. You can connect both USB cable and Ethernet cable to the printer at the same time.

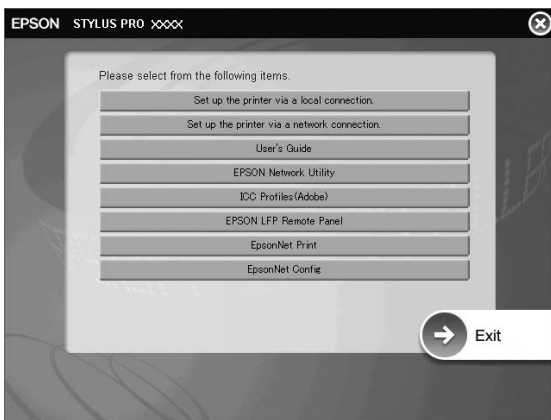
Installing the Printer Driver and Software

After connecting the printer to your computer, you need to install the software included on the Printer Software CD-ROM shipped with your printer. To install your printer software, follow the steps below.

Note:

Be sure that you have an administrator rights to install the software.

1. Insert the Printer Software CD-ROM shipped with your printer in the CD-ROM drive.
2. When the following dialog box appears, install the printer driver according to your connection. Select Set up the printer via a local connection when the printer is connected to the computer directly or Set up the printer via a network connection when the printer is connected to the network. Follow the on-screen instructions.



Note:

If the following dialog box appears, make sure the publisher is SEIKO EPSON, and then click Unblock.



3. If you want to install other printer software, select it from the dialog box in step 2.

Selecting your printer

After you have installed the printer software on your computer, you need to select your printer. You must select a printer the first time you use it or whenever you want to switch to another printer. Your computer will always print using the last printer selected.

1. Double-click Macintosh HD (default setting).
2. Double-click the Applications folder.
3. Double-click the Utilities folder.
4. Double-click Print Center (for Mac OS X 10.2.x) or Printer Setup Utility (for Mac OS X 10.3.x or later).
5. Click Add.
6. Select your printer, and then click Add.

If your printer does not appear in the list, click More Printers, and select a connection, such as EPSON TCP/IP. Select your printer from the list, and then click Add.

7. Make sure the Printer List contains the printer you just added. Then, close the Printer List dialog box.

Using the Online User's Guide

What to do next

After completing the hardware setup and the driver installation, see the *User's Guide* for detailed information on your printer's functions, maintenance, troubleshooting, technical specifications and optional products.

Using the online User's Guide

It contains detailed instructions on using the printer, and information on using the optional products.

To view the *User's Guide*, double-click the ESPR4450_488X Manual icon on the desktop.

On Windows, you can also access the *User's Guide* via the Start menu. Click Start, point to All Programs on Windows XP/Vista or Programs on Windows 2000. Select EPSON, and then select EPSON Stylus Pro 4450_488X Manual.

Note:

To read the online guide, you must have Adobe Acrobat Reader 5.0 or later, or Adobe Reader, installed on your computer.

EPSON
EXCEED YOUR VISION