

Basic Operation Guide

-for use without a computer-



Safety Instructions

Important Safety Instructions3



Control Panel Functions

Control Panel4



Handling Paper

Selecting Paper6
Loading Paper7



Handling a CD/DVD

Loading a CD/DVD9
Removing a CD/DVD.....10



Copying

Placing Originals on the Document Table11
Copying Photos11
Copying Documents.....13



Printing from a Memory Card

Handling a Memory Card14
Printing Photos16
Selecting and Printing Photos
Using an Index Sheet17
Printing onto a CD/DVD19
Printing a CD/DVD Jacket.....20



Printing from an External Device

From a Storage Device.....21
Using PictBridge or
USB DIRECT-PRINT21



Saving Your Data

Scanning a Photo / Document ...22
Using an External Storage
Device22



Replacing Ink Cartridges

Precautions..... 24
Removing and Installing
Ink Cartridges..... 24



Maintenance

Checking the Ink Cartridge
Status..... 26
Checking and Cleaning
the Print Head 26
Aligning the Print Head 27



Solving Problems


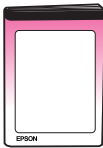


Error Messages 28
Problems and Solutions 29



Summary of Panel Settings

Copy Mode 32
Memory Card Mode 33
Specialty Print Mode 36
Setup Mode..... 39

Where to Find Information

Paper manuals	
	Start Here Be sure to read this sheet first. This sheet tells you how to set up the printer and install the software.
 (this book)	Basic Operation Guide -for use without a computer- This book provides information on using the printer without connecting to your computer, such as instructions on copying, printing from a memory card, and printing on a CD/DVD. If you have problems using the printer, see the Solving Problems chapter in this book.
Online manuals	
	User's Guide This guide provides instructions for printing and scanning from your computer and information on the software. This guide is included in the software CD-ROM and installed automatically when you install the software. To read this guide, double-click the icon on your desktop.
	Online help Online help is built into each application included on the software CD-ROM. It provides detailed information on the application.

Warnings, Cautions, and Notes

Follow these guidelines as you read your instructions:

- Warning:** Warnings must be followed carefully to avoid bodily injury.
- Caution:** Cautions must be observed to avoid damage to your equipment.
- Note:** Notes contain important information about the printer.
- Tip:** Tips contain hints for using the printer.

Copyright Notice

No part of this publication may be reproduced, stored in a retrieval system, or transmitted in any form or by any means, electronic, mechanical, photocopying, recording, or otherwise, without the prior written permission of Seiko Epson Corporation. The information contained herein is designed only for use with this product. Epson is not responsible for any use of this information as applied to other printers.

Neither Seiko Epson Corporation nor its affiliates shall be liable to the purchaser of this product or third parties for damages, losses, costs, or expenses incurred by the purchaser or third parties as a result of accident, misuse, or abuse of this product or unauthorized modifications, repairs, or alterations to this product, or (excluding the U.S.) failure to strictly comply with Seiko Epson Corporation's operating and maintenance instructions.

Seiko Epson Corporation shall not be liable for any damages or problems arising from the use of any options or any consumable products other than those designated as Original Epson Products or Epson Approved Products by Seiko Epson Corporation.

Seiko Epson Corporation shall not be held liable for any damage resulting from electromagnetic interference that occurs from the use of any interface cables other than those designated as Epson Approved Products by Seiko Epson Corporation.

EPSON® is a registered trademark and EPSON STYLUS™ and Exceed Your Vision are trademarks of Seiko Epson Corporation.

PRINT Image Matching™ and the PRINT Image Matching logo are trademarks of Seiko Epson Corporation. Copyright © 2001 Seiko Epson Corporation. All rights reserved.

USB DIRECT-PRINT™ and the USB DIRECT-PRINT logo are trademarks of Seiko Epson Corporation. Copyright © 2002 Seiko Epson Corporation. All rights reserved.

DPOF™ is a trademark of CANON Inc., Eastman Kodak Company, Fuji Photo Film Co., Ltd. and Matsushita Electric Industrial Co., Ltd. SDHC™ is a trademark.

Memory Stick, Memory Stick Duo, Memory Stick PRO, Memory Stick PRO Duo, Memory Stick Micro, MagicGate Memory Stick, and MagicGate Memory Stick Duo are trademarks of Sony Corporation.

xD-Picture Card™ is a trademark of Fuji Photo Film Co., Ltd.

Zip® is a registered trademark of Iomega Corporation.

The BLUETOOTH® word mark is owned by the Bluetooth SIG, Inc. and licensed to Seiko Epson Corporation.

General Notice: Other product names used herein are for identification purposes only and may be trademarks of their respective owners. Epson disclaims any and all rights in those marks.

Safety Instructions

Important Safety Instructions

Before using this printer, read and follow these safety instructions:

- Use only the power cord that comes with the printer. Use of another cord may cause fire or shock. Do not use the cord with any other equipment.
- Make sure the power cord meets all relevant local safety standards.
- Use only the type of power source indicated on the label.
- Place the printer near a wall outlet where the power cord can be easily unplugged.
- Do not let the power cord become damaged or frayed.
- Make sure the total ampere rating of the devices plugged into an extension cord or a wall outlet does not exceed the ampere rating limit.
- Avoid locations that are subject to rapid changes in heat or humidity, shocks or vibrations, dust, or direct sunlight.
- Do not block or cover openings in the case or insert objects through the slots.
- Place the printer on a flat, stable surface that extends beyond its base in all directions. It will not operate properly if it is tilted or at an angle. And make sure the back of the printer is at least 10 cm away from the wall for sufficient ventilation.
- Do not open the scanner unit while copying, printing, or scanning.
- Do not touch the white flat cable inside the printer.
- Do not spill liquid on the printer.
- Do not use aerosol products that contain flammable gases inside or around the printer. Doing so may cause fire.
- Except as specifically explained in your documentation, do not attempt to service the printer yourself.

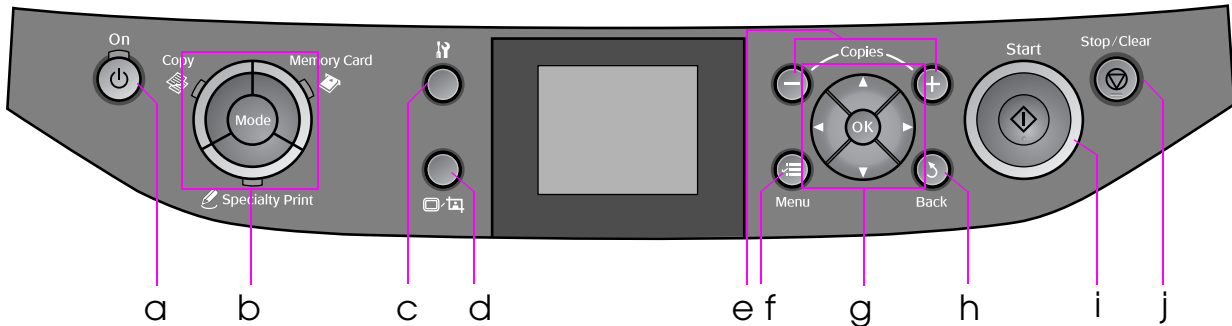
- Unplug the printer and refer servicing to qualified service personnel under the following conditions: if the power cord or plug is damaged; if liquid has entered the printer; if the printer has been dropped or the case damaged; if the printer does not operate normally or exhibits a distinct change in performance.
- When storing or transporting the printer, do not tilt it, stand it on its side, or turn it upside down; otherwise ink may leak from the cartridge.
- Be careful not to trap your fingers when closing the scanner unit.
- Do not press too hard on the document table when placing the originals.

Ink cartridge safety instructions

- Keep ink cartridges out of the reach of children and do not drink the ink.
- If ink gets on your skin, wash it off with soap and water. If it gets in your eyes, flush them immediately with water. If you still have discomfort or vision problems, see a doctor immediately.
- Do not shake ink cartridges after opening their packages; this can cause leakage.
- If you remove an ink cartridge for later use, protect the ink supply area from dirt and dust and store it in the same environment as the printer. Do not touch the ink supply port or surrounding area.

Control Panel Functions

Control Panel



Control panel design varies by location.

Buttons

	Button	Function
a	⏻ On	Turns the printer on and off.
b	Mode * 	Switches the modes between Copy , Memory Card , and Specialty Print . (Lights show which mode is selected.)
c	[Setup] *	Runs maintenance programs or adjusts miscellaneous settings.
d	[Display/Crop]	Changes the view of photos on the LCD screen, or crops the photos.
e	Copies (+ and -)	Sets the number of copies, or changes the cropping area.

	Button	Function
f	Menu *	Displays detailed settings for each mode.
g	 4-way Scroll	Selects photos and menu items.
		OK
h	Back	Cancels the current operation and returns to the previous menu.
i	Start	Starts copying and printing.
j	Stop/Clear	Stops copying and printing, or resets the settings you have made.

* For details on the items in each mode, see “Summary of Panel Settings” on page 32.

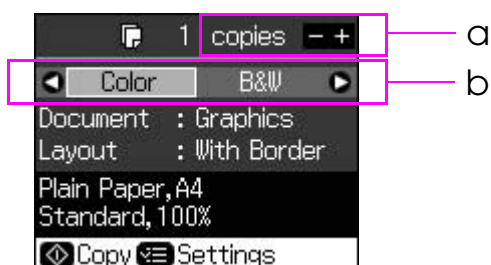
LCD screen

Note:

The LCD screen may contain a few small bright or dark spots, and because of its features it may have an uneven brightness. These are normal and do not indicate that it is damaged in any way.

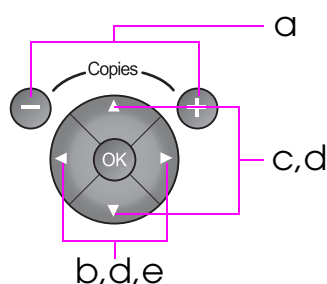
Using the LCD screen

Follow the instructions below to select and change the setting menus and the photos on the LCD screen.



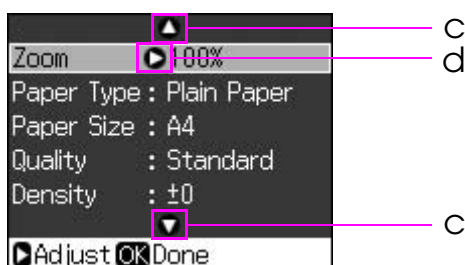
a

b



a

b, d, e



c

d

c



a

e

a	Use Copies + or - to set the number of copies for the selected photo.
b	Press ◀ or ▶ to select the setting item.
c	Press ▲ or ▼ to select the menu item. The highlighted part moves up or down.
d	Press ▶ to open the setting item list. Press ▲ or ▼ to select the setting item and then press OK .
e	Press ◀ or ▶ to change the displayed photo on the LCD screen.

Power saving function

If no buttons are pressed for more than 3 minutes, the printer becomes inactive or a slide show begins if **Screen Saver Settings** is set to **Memory Card Data**.

After 13 minutes of inactivity, the screen turns black to save energy and the **Mode** lights turn on and off in a clockwise motion.

Press any button (except **On**) to return the screen to its previous state.

Changing the view of photos on the LCD screen

You can switch the display using [Display/Crop].

View 1 photo with information	View 9 photos without information

Handling Paper

Selecting Paper

Before printing, you need to select the correct paper type setting. This important setting determines how the ink is applied to the paper.

Note:

- The availability of special paper varies by location.
 - You can find the part number for the following Epson special papers on the Epson support Web site.
- Choose from these paper types and settings:

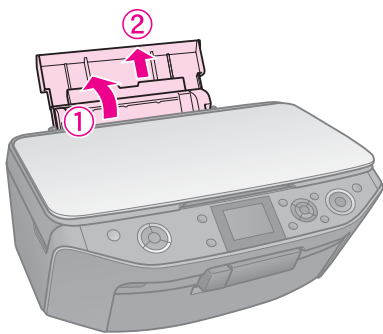
Paper Type	Paper Type Setting	Loading Capacity
Plain paper *	Plain Paper	12 mm
Epson Premium Ink Jet Plain Paper		100 sheets
Epson Bright White Ink Jet Paper		80 sheets
Epson Matte Paper-Heavyweight	Matte	20 sheets
Epson Photo Quality Ink Jet Paper		100 sheets
Epson Premium Glossy Photo Paper	Prem. Glossy	20 sheets
Epson Premium Semigloss Photo Paper		
Epson Ultra Glossy Photo Paper	Ultra Glossy	20 sheets
Epson Glossy Photo Paper	Photo Paper	20 sheets
Epson Photo Stickers 4 **	Sticker16	1 sheet
Epson Photo Stickers 16 **		1 sheet

* You can use paper with a weight of 64 to 90 g/m².

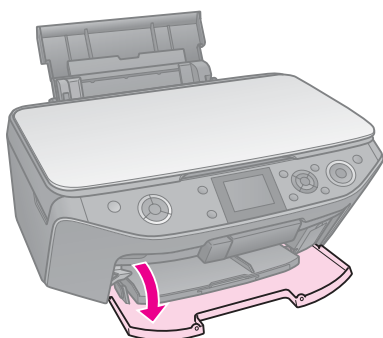
** The paper may not be available in some cases.

Loading Paper

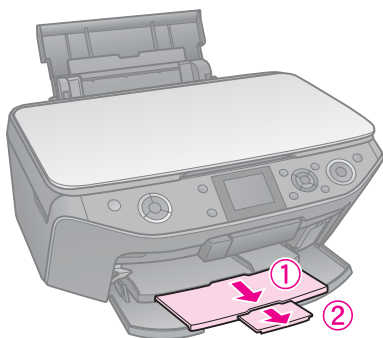
1. Open and extend the paper support.



2. Open the front cover.

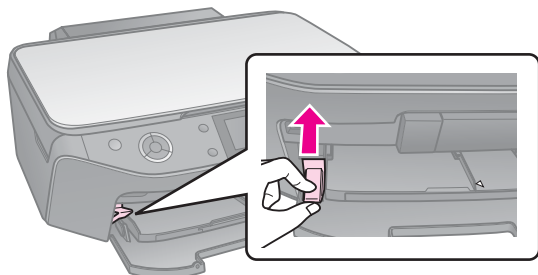


3. Slide out the front tray.

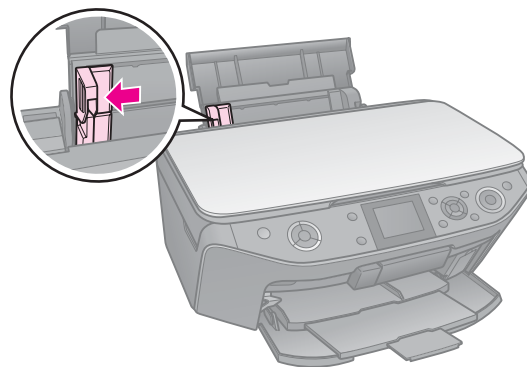


Note:

Make sure the front tray is in the paper position (lower position). If it is not, move the tray lever up and reposition the front tray.

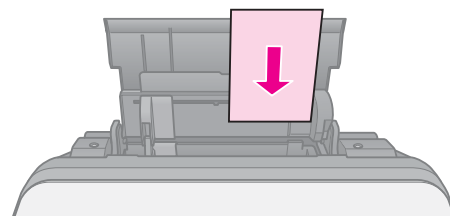


4. Slide the edge guide.

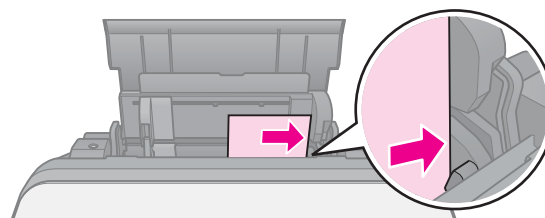


5. Load the paper short edge first, even for landscape printing, with the printable side up.

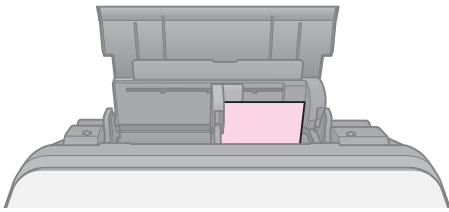
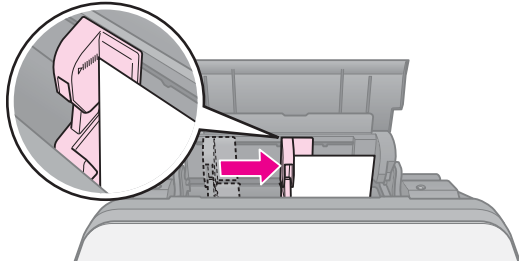
The printable side is often whiter or brighter than the other side.



6. Place behind the tabs.

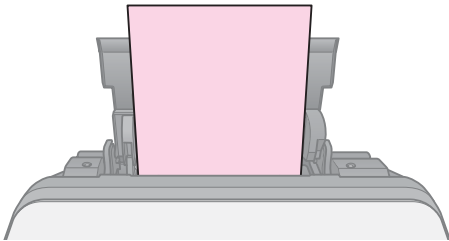


7. Slide the edge guide to the right. Make sure the paper fits under the \equiv arrow mark inside the left edge guide.



10 × 15 cm (4 × 6 in.) and
13 × 18 cm (5 × 7 in.)

Follow the same steps to load A4 paper.



A4

Handling a CD/DVD

⚠ Caution:

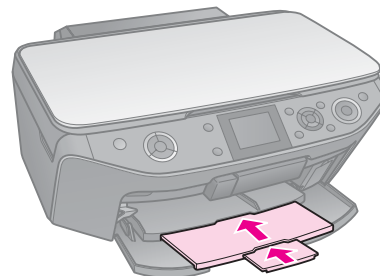
Store the CD/DVD tray in a flat place. A warped or damaged CD/DVD tray may stop the printer from operating normally.

Note:

- ❑ Make sure the data, music, or video is burned on your ink jet printable CD/DVDs before you print.
- ❑ Moisture on the printable surface may cause smearing.
- ❑ The printed surface is easily smeared immediately after printing.
- ❑ Be sure to let a CD/DVD dry completely before using it or touching the printed surface.
- ❑ Do not allow the printed CD/DVD to dry in direct sunlight.
- ❑ If the CD/DVD tray or the internal transparent compartment are accidentally printed on, immediately wipe off the ink.
- ❑ To print on 8-cm mini CDs, use the EPSON Print CD included in the software CD-ROM. See your online *User's Guide*.

Loading a CD/DVD

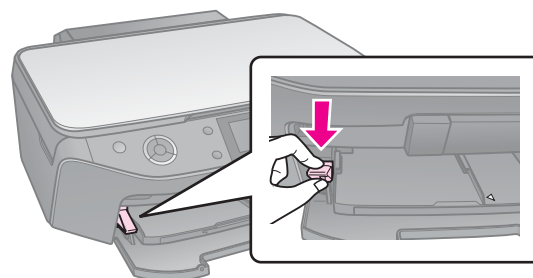
1. Close the front tray extension.



2. Move the tray lever down until the front tray is lifted to the CD/DVD position (upper position).

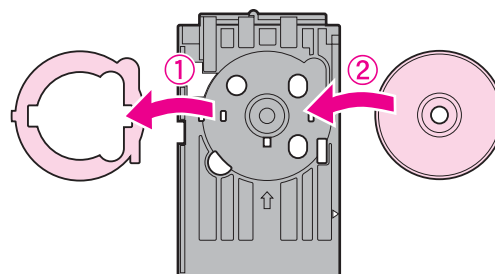
⚠ Caution

Do not move the tray lever while the printer is operating.

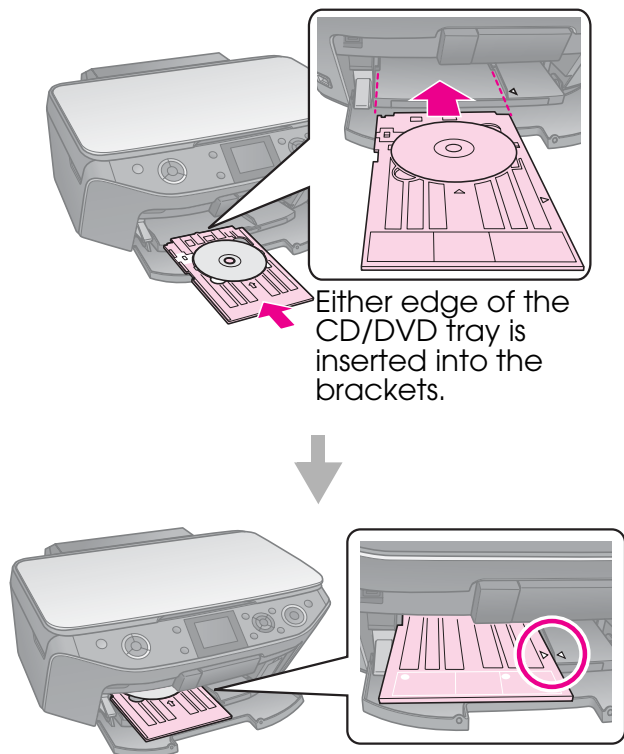


3. Remove the 8-cm CD/DVD adapter and place your CD/DVD on the tray.

The label surface up.

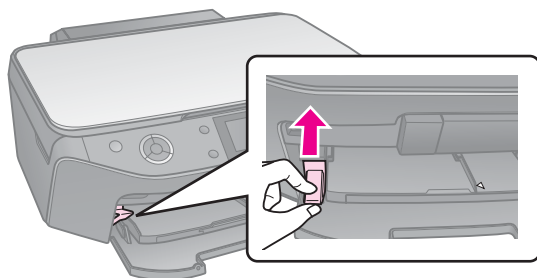


4. Insert the tray into the printer.



Removing a CD/DVD

1. Make sure that printing is finished.
2. Remove the CD/DVD tray by pulling it straight out of the front tray.
3. Move the tray lever up to reposition the front tray.



Copying

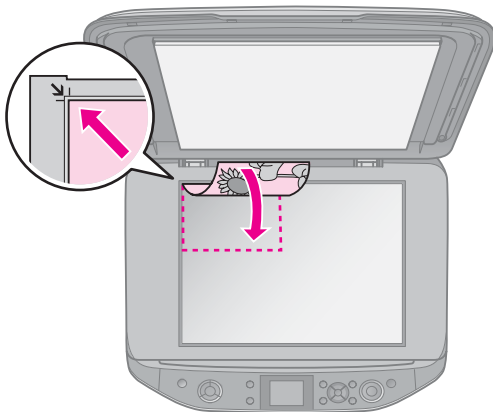
Note:

- ❑ The copied image may not be exactly the same size as the original.
- ❑ Depending on the type of paper used, print quality may decline in the top and bottom areas of the printout, or these areas may be smeared.

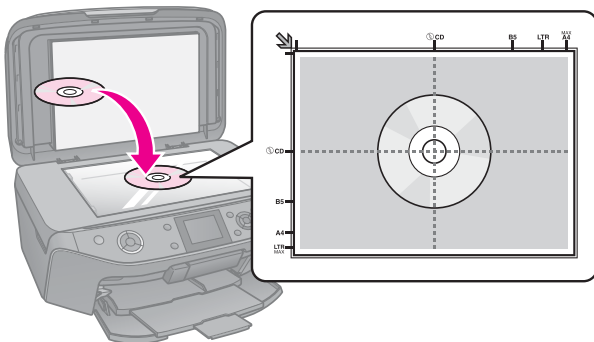
Placing Originals on the Document Table

1. Open the document cover and place your original face-down on the document table.

Photos or document:



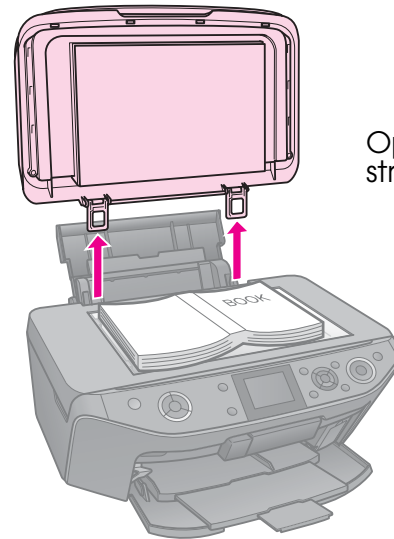
CD/DVD:



2. Close the cover gently.

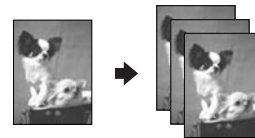
Tip:

If you want to copy a thick or large document, you can remove the document cover.



Open it and pull it straight up.

Copying Photos



You can copy photos from 30 × 40 mm to 127 × 178 mm. You can also copy two photos at the same time.

1. Press  **Specialty Print**.



2. Select **Reprint/Restore Photos**, then press **OK**.



3. Press **OK**.

Note:

- ❑ If your photos have faded over time, select **On** to bring them back to life.



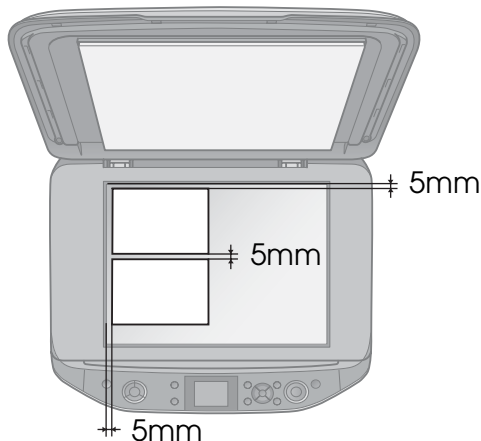
- ❑ If you set **Restoration** to **On** for a normal color photo, the photo may not be printed correctly.
4. Press **OK** again. Your photo is previewed.
 5. Set the number of copies.
 6. Press **Menu** and change the settings (➔ “Print settings for Reprint/Restore Photos” on page 36). Then press **OK**.
 7. Press **Start**.

Note:

If the edges of the copy are cropped off, move the original away from the corner slightly.

Copying multiple photos

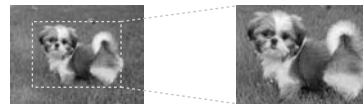
Place each photo horizontally.



Note:

- ❑ You can copy two 10 × 15 cm (4 × 6 in.) size photos at the same time. If the edge of the photo is missing after you print, try copying them one at a time.
- ❑ Place your photo 5 mm away from the edge of the document table. Also when you place two photos, position each photo at least 5 mm away from the adjacent photo.
- ❑ You can copy several different sized photos at the same time, as long as they are larger than 30 × 40 mm.

Cropping and enlarging a photo

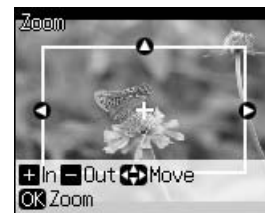


You can crop out the rest of the photo and print just the main subject by itself when you copy a photo.

1. Press **Specialty Print**.
2. Refer to “Copying Photos” on page 11 and follow the steps from 2 to 4.



3. Press **Display/Crop**. You see the cropping screen.



4. Use the following button to set the area you want to crop.

Copies +, -	Change the frame size.
▲, ▼, ◀, ▶	Move the frame.
Menu	Rotate the frame.

Note:

Menu is only available in the Memory Card mode.


5. Press **OK** to confirm the cropped image.

Note:

To readjust the frame’s position, press **Back** to return to the previous screen.

6. When you have finished checking the cropped image, press **OK**.

Note:

The  icon is displayed on the cropped image.

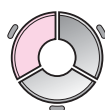
7. Set the number of copies.

8. Press **Menu** and change the settings (➔ “Print settings for Reprint/Restore Photos” on page 36). Then press **OK**.
9. Press **Start**.

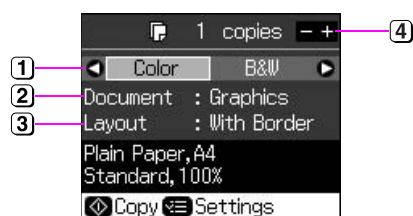
Copying Documents



1. Press **Copy**.



2. Select the copy settings (➔ “Copy Mode” on page 32).



- ① Select **Color** for color copies or **B&W** for black-and-white copies.
 - ② Select the type of document.
 - ③ Select a layout option.
 - ④ Set the number of copies.
3. Press **Menu** to change the settings (➔ “Print settings for Copy mode” on page 32). Then press **OK**.

Tip:

When **CD/DVD Copy** is selected as the **Layout**, try printing a test sample on paper first. Select **Plain Paper** as the **Paper Type** setting and load plain paper.

4. Press **Start**.

Note:

If the edges of the copy are cropped off, move the original away from the corner slightly.

Printing from a Memory Card

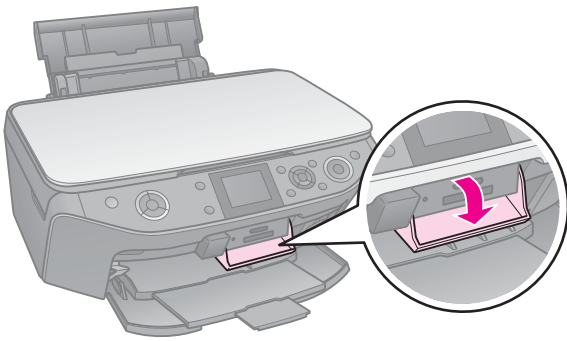
Handling a Memory Card

Inserting a memory card

Note:

If a digital camera is connected to the printer, disconnect it before you insert your memory card.

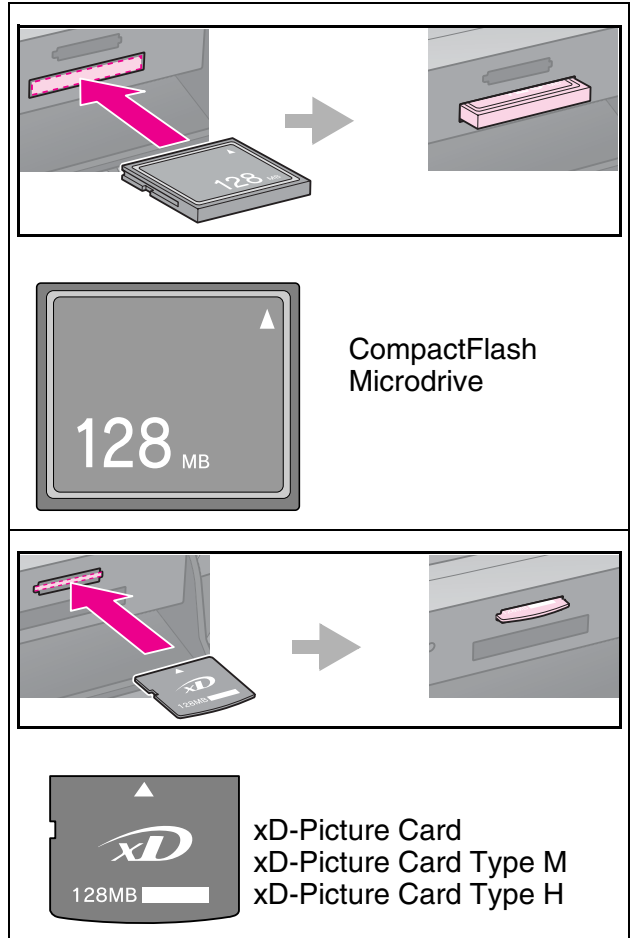
1. Open the memory card slot cover.

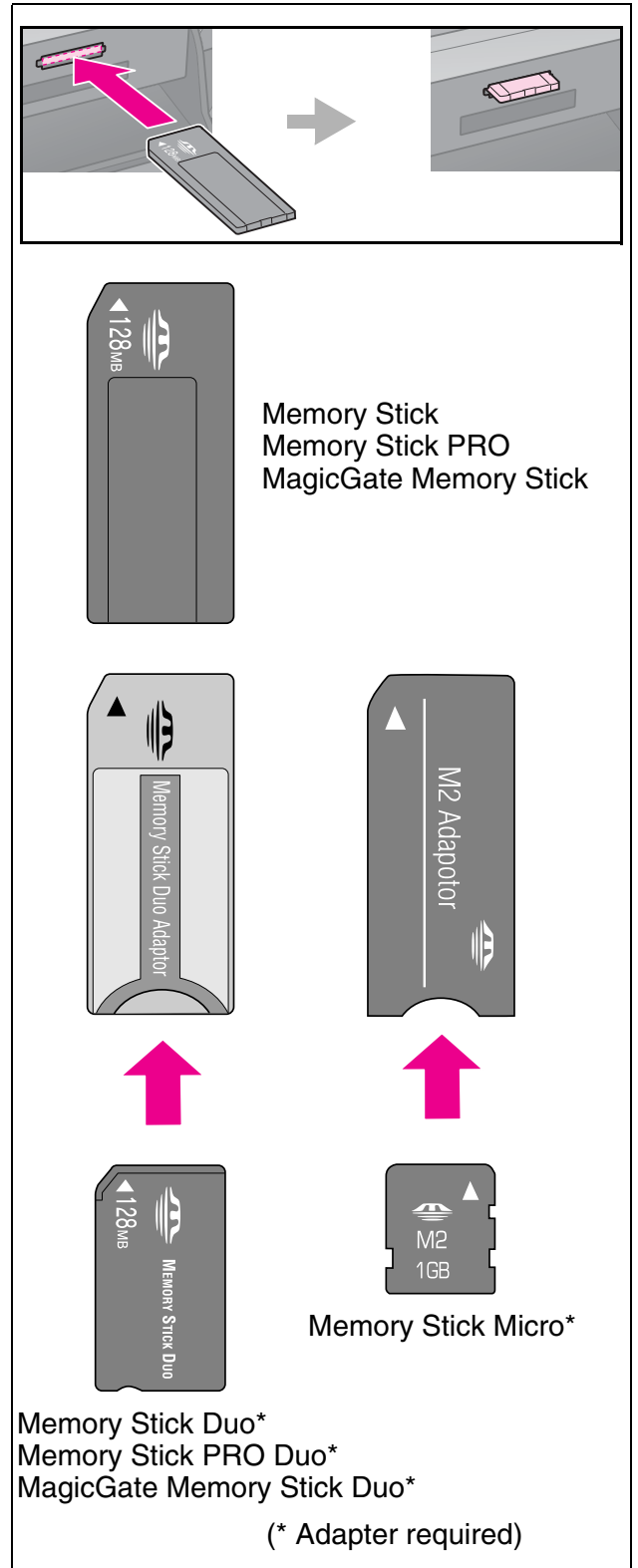
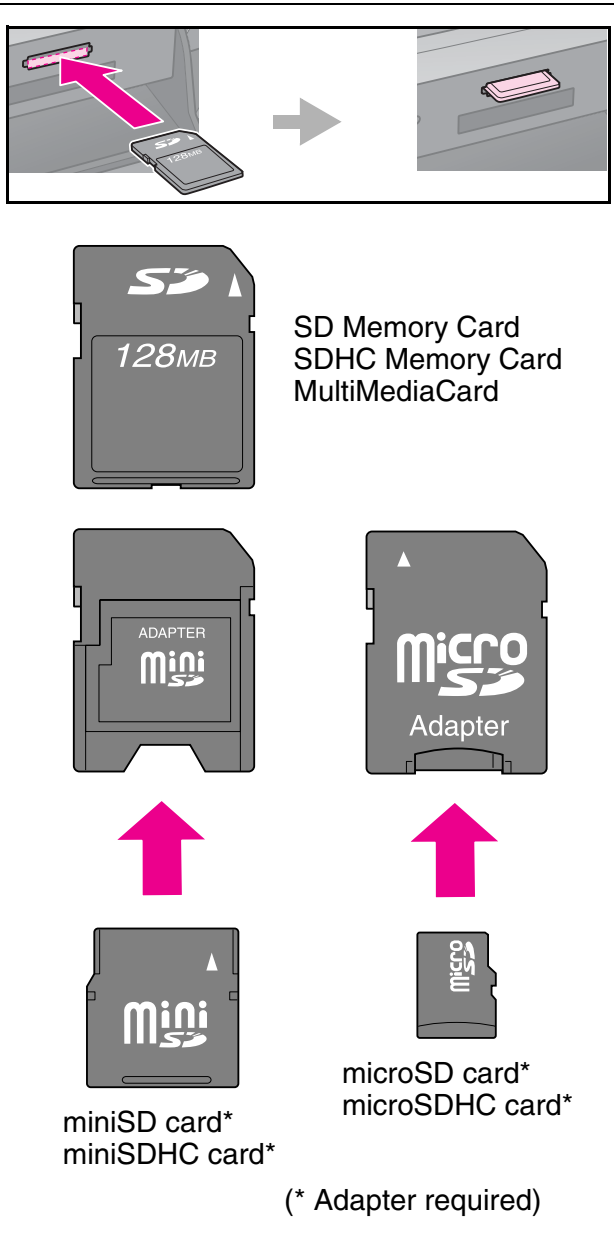


2. Make sure no memory cards are in the slots. Then insert your memory card.

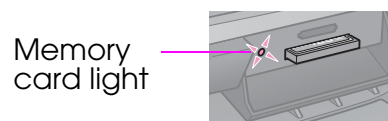
Caution:

- Do not insert more than one memory card at a time.
- Do not try to force the memory card into the slot. Memory cards will not go all the way in.
- Make sure you check which direction the card should be inserted, and if the card needs an adapter, make sure you attach the adapter before inserting the card. Otherwise, you may not be able to remove the card from the printer.





3. Make sure the memory card light flashes and then stays on.

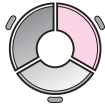


Removing the memory card

1. Make sure the memory card light is not flashing.
2. Remove the memory card by pulling it straight out.

Printing Photos

1. Press **Memory Card**.



2. Select one of the settings in the following table for viewing/printing your photos, and then press **OK**. Follow the instructions below to select the photos and set the number of copies.



Setting	Instructions
View and Print Photos	Select a photo and set the number of copies.
Print All Photos	Set the number of copies for all photos. If you want to set the number of copies for each photo individually, press OK and then set the number of copies.
Print by Date	Select the date and press ▶ to place a check mark, then press OK . If you want to set the number of copies for all photos, simply set the number of copies. If you want to set the number of copies for each photo individually, press OK and then set the number of copies.

Setting	Instructions
Print Index Sheet	See "Selecting and Printing Photos Using an Index Sheet" on page 17.
Slide Show	Your printer displays the photos on the memory card in sequence. When you see the photo that you want to print, press OK and set the number of copies. If you want to print additional photos, select the photo you want to print. Then set the number of copies.
Scan to Memory Card	See "Scanning a Photo / Document" on page 22.

3. Press **Menu** and change the settings (➔ "Print settings for Memory Card mode" on page 34). Then press **OK**.
4. Press **Start**.

Tip:

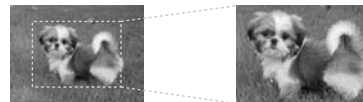
When you print a photo stickers sheet, if your printed image is not centered on the photo stickers sheet, you can adjust its printing position by following the next procedure.

1. Press **[Setup]**.
2. Select **CD/Sticker Position**, then press **OK**.
3. Select **Stickers**, then press **▶**.
4. Select how far (in millimeters) to move the print position.
5. Press **OK**. Then try printing again.

Note:

This printer retains your settings even after it has been turned off.

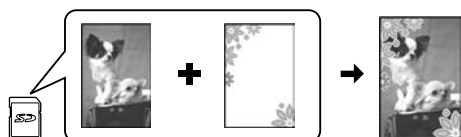
Cropping and enlarging a photo



1. Press **Memory Card**.
2. Select **View and Print Photos**, then press **OK**.
3. Select the photo you want to crop.
4. Press **[Display/Crop]**.

5. Refer to “Cropping and enlarging a photo” on page 12 and follow steps 4 to 7.
6. Press **Menu** and change the settings (➔ “Print settings for Memory Card mode” on page 34). Then press **OK**.
7. Press **Start**.

Printing with fun frames



You can add colorful frames to your photos.

1. Choose P.I.F. frames from the software CD-ROM that came with the printer and use the EPSON PRINT Image Framer Tool to save them to a memory card. For details, see the software help.

Note:

Depending on your location, the EPSON PRINT Image Framer Tool and the P.I.F. frames may not be included on the software CD-ROM.

2. Load the appropriate paper for the frame size (➔ page 7).
3. Insert the memory card containing your photos and P.I.F. frames (➔ page 14).
4. If you want to print your photos by using the P.I.F. frames already assigned, press **OK**.

If you want to select the P.I.F. frames on the memory card, press **Back**. Then select the photo with the **View and Print Photos** option and select a P.I.F. frame as the **Layout** setting (➔ “Printing Photos” on page 16).

5. Select the photo and P.I.F. frame then press **OK**.

Note:

- Press **OK** again to check how the photo looks in the frame.
- P.I.F. frames have already been assigned to each photo, so you cannot change the frame.

6. Set the number of copies.
7. Press **Menu** and change the settings (➔ “Print settings for Memory Card mode” on page 34). Then press **OK**.
8. Press **Start**.

Printing with DPOF settings

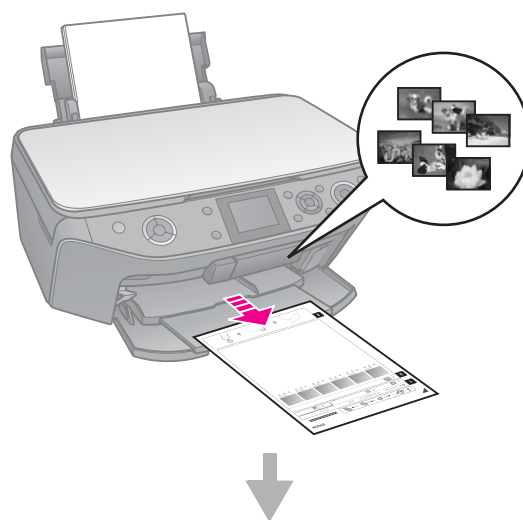
If your camera supports DPOF, you can use it to preselect photos and the number of copies to print while the memory card is still in your camera. See your camera’s instruction manual for details.

1. Insert a memory card containing DPOF data (➔ page 14).
2. Press **OK**.
3. Press **Menu** and change the settings (➔ “Print settings for Memory Card mode” on page 34). Then press **OK**.
4. Press **Start**.

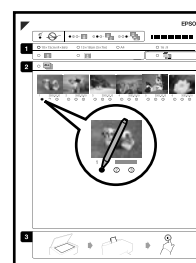
Selecting and Printing Photos Using an Index Sheet

You can use an index sheet to select the photos you want to print.

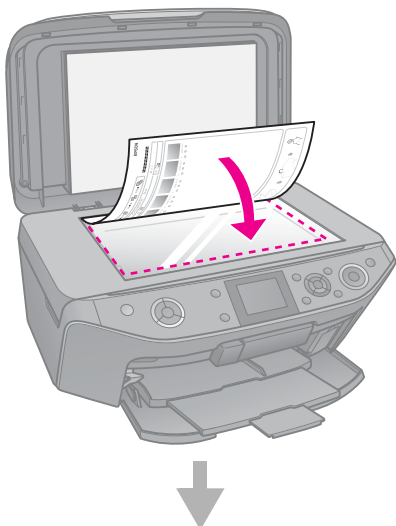
Printing an index sheet



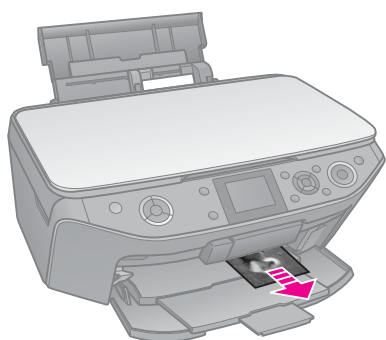
Selecting photos from the index sheet



Scanning the index sheet



Printing the selected photos



1. Printing an index sheet

1. Load several sheets of A4-size plain paper (➔ page 7).
2. Press **Memory Card**.



3. Select **Print Index Sheet**, then press **OK**.



4. Make sure **Print Index Sheet** is selected.

5. Select the range of photos. Then press **OK**.

Range	Description
All Photos	Prints all the photos stored on a memory card.
Latest 30	Prints 30, 60, or 90 photos from the latest one in order of the file name.
Latest 60	
Latest 90	

6. Press **Start**.

Note:

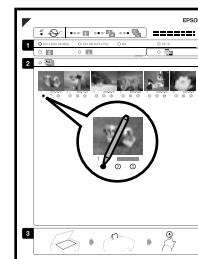
Make sure the triangle mark on the upper left corner of the index sheet is printed properly. If the index sheet is not printed correctly, the printer cannot scan it.


2. Selecting photos from the index sheet

On the index sheet, use a dark pen or pencil to fill in the ovals and make your selections.

Good: ●

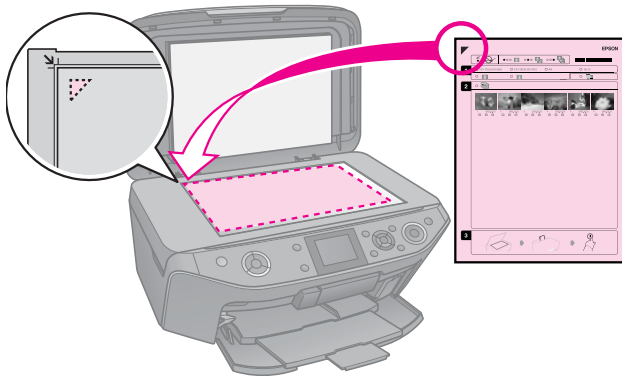
NOT good: ○ ✓ ✗



1. In section 1, select the size of paper (➔ page 6).
2. Select whether to print your photos with or without borders.
3. Fill in the  oval to include an optional data stamp.
4. In section 2, select **All** to print one copy of each photo, or fill in the number beneath each photo to select 1, 2, or 3 copies.

3. Scanning the index sheet and printing the selected photos

1. Place the index sheet face-down on the document table, so that the top of the sheet is aligned with the left edge of the document table.



2. Close the document cover.
3. Load the size of photo paper you marked on the index sheet (➔ page 7).

Note:

Make sure you use Ultra Glossy Photo Paper, Premium Glossy Photo Paper, or Premium Semigloss Photo Paper.

4. On the LCD screen, make sure **Print Photos from Index Sheet** is selected, then press **Start**.

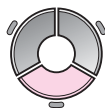
Note:

If you have more than one index sheet, wait each time until printing is complete. Then repeat the steps above to scan and print from each additional sheet.

Printing onto a CD/DVD

Making settings and printing

1. Press **Specialty Print**.



2. Select **Print on CD/DVD**, then press **OK**.



3. Press **Menu** and change the settings (➔ "Print settings for Print on CD/DVD" on page 37). Then press **OK**.

Tip:

If you want to print a test sample on paper first, select **Plain Paper** as the **Paper Type**.

4. Select a photo and set the number of copies.

Note:

When selecting photos for the **4-up**, **8-up**, or **12-up** layout setting, you do not have to select the maximum number of photos. Unused areas of the layout will be left blank.

5. Press **Start**.

Adjusting the print area

Adjusting the diameter

1. Press **Specialty Print**.
2. Select **Print on CD/DVD**, then press **OK**.
3. Press **Menu**.
4. Select **CD Inner-Outer**, then press **▶**.
5. Set the inside diameter (Inner) and the outside diameter (Outer), at intervals of 1 mm.

Inner	18 to 46 mm
Outer	114 to 120 mm

Note:

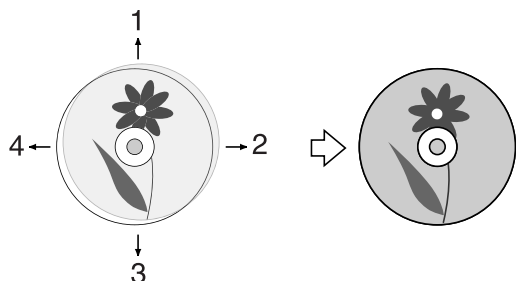
If you are printing in the following areas of the disc, the disc or CD/DVD tray may get stained with ink.

Inner hub area	18 to 42 mm
Outer periphery area	117 to 120 mm

6. Press **OK**, then try printing again.

Adjusting the print position

1. Press **Ⓜ** [Setup].
2. Select the **CD/Sticker Position**, and press **OK**.
3. Select **CD/DVD**, then press **▶**.
4. Select how far (in millimeters) to move the print position.



Adjusting	Description
1. Up 3. Down	Move the CD/DVD print position up or down. You can adjust it in 0.1 mm steps from 0.0 to 2.0 mm.
2. Right 4. Left	Move the CD/DVD print position left or right. You can adjust it in 0.1 mm steps from 0.0 to 2.0 mm.

5. Press **OK**, then try printing again.

Note:

This printer retains your settings even after it has been turned off.

Printing a CD/DVD Jacket

1. Load A4-size paper.
2. Press **🖨** **Specialty Print**.



3. Select **Print on CD/DVD**, then press **OK**.



4. Press **☰** **Menu**.
5. Select **CD Jacket** as the **Media Type** and change the settings (➔ "Print settings for Print on CD/DVD" on page 37). Then press **OK**.
6. Select a photo and set the number of copies.
7. Press **⬄** **Start**.

Printing from an External Device

You can print your photos from an external device, such as a digital camera, mobile phone, or USB storage device, with a USB cable directly.

Tip:

For details on printing with the optional BLUETOOTH Photo Print Adapter, see your online *User's Guide*.

From a Storage Device

Note:

- Not all USB devices are supported. For details, contact your regional customer support.
 - You may not be able to print photos in the storage device that were saved by using a product other than this printer.
1. Connect your device to the printer (➔ “Using an External Storage Device” on page 22).
 2. Remove any memory cards from the printer.
 3. When you see this screen, select which folder to print from, then press **OK**.



4. Follow the same steps as you would to print from the memory card (➔ “Printing Photos” on page 16).

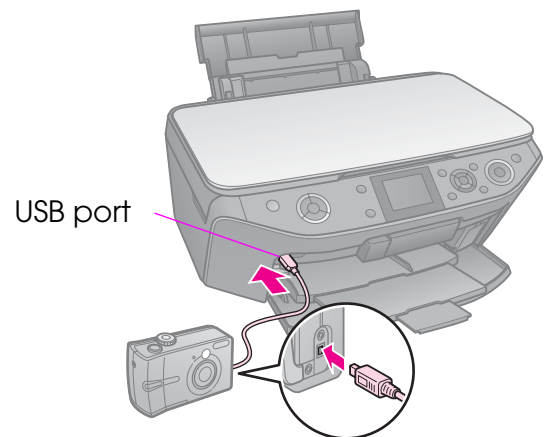
Using PictBridge or USB DIRECT-PRINT

PictBridge and USB DIRECT-PRINT let you print your photos by connecting your digital camera directly to the printer.

Make sure your camera and photos meet the following requirements.

Compatibility	PictBridge or USB DIRECT-PRINT
File format	JPEG
Image size	80 × 80 pixels to 9200 × 9200 pixels

1. Make sure your printer is not printing from a computer.
2. Remove any memory cards from the printer.
3. Press **⏏** [**Setup**].
4. Select **PictBridge Setup**, then press **OK**.
5. Select the print settings (➔ “Print settings for Memory Card mode” on page 34). Then press **OK**.
6. Connect the USB cable from your camera to the USB port on the front of the printer.



7. Make sure your camera is turned on and use it to select the photos, adjust any necessary settings, and print your photos. See your camera's manual for details.

Note:

- Depending on the settings on this printer and the digital camera, some combinations of paper type, size, and layout may not be supported.
- Some of the settings on your digital camera may not be reflected in the output.

Saving Your Data

You can save scans of photos or documents directly to your memory card in JPEG or PDF format. You can also save photos from your memory card directly to an external storage device with a USB cable.

Scanning a Photo / Document

1. Press **Memory Card**.



2. Select **Scan to Memory Card**, then press **OK**.



3. Select the following settings.

Setting	Description
Format	Select JPEG or PDF .
Scan Area	If the edges of the photo are light in color, select Max Area . Otherwise, select Auto Cropping .
Original	Select the type of original you placed on the document table.
Quality	Select the quality of the scanned documents.

4. Press **OK**. The document is scanned and saved to the **EPSCAN** folder on your memory card.

When scanning is finished, you see a confirmation screen. Note the name given to your image and its location on the card.

⚠ Caution:

- ❑ Never open the scanner unit while scanning; otherwise, you may damage the printer.
- ❑ Do not remove the card or turn off the printer while the memory card light is flashing, or you may lose data.

Note:

If the edges of the photo are cropped off, move the original away from the corner slightly.

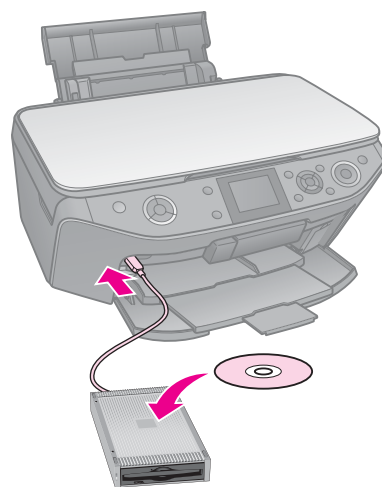
Using an External Storage Device

You can copy pictures from your memory card to an external storage device, such as a Zip drive, recordable CD-R/RW drive (with a USB connection), MO drive, or USB flash drive.

Note:

Not all USB devices are supported. For details, contact your regional customer support.

1. If the printer is connected to your computer, unplug the USB cable or turn off your computer.
2. Connect a USB cable from your storage device to the USB port on the front of the printer. (If you are using a thumb drive, plug it in directly.) Then, insert your media into the storage device.



3. Press **Setup**.

4. Select **Backup Memory Card**, then press **OK**.
5. Select **Backup Memory Card**, then press **OK**.
6. Follow the instructions on the LCD screen.

Note:

When backing up photos to a CD-R/RW, the printer creates a folder for each backup session. You can store multiple backup sessions on a CD-R/RW.

Replacing Ink Cartridges

Precautions

■ Warning:

If ink gets on your hands, wash them thoroughly with soap and water. If ink gets in your eyes, flush them immediately with water. If you still have discomfort or vision problems, see a doctor immediately.

- Never move the print head by hand.
- When an ink cartridge is expended, you cannot continue printing even if the other cartridges still contain ink.
- Leave the expended cartridge installed until you have obtained a replacement. Otherwise the ink remaining in the print head nozzles may dry out.
- Some ink is consumed each time cartridges are inserted because the printer automatically checks their reliability.
- For maximum ink efficiency, only remove an ink cartridge when you are ready to replace it. Ink cartridges with low ink status may not be used when reinserted.
- Epson recommends the use of genuine Epson ink cartridges. The use of non-genuine ink may cause damage that is not covered by Epson's warranties, and under certain circumstances, may cause erratic printer behavior. Epson cannot guarantee the quality or reliability of non-genuine ink. Information about the ink cartridge status may not be displayed when non-genuine ink is used.

Removing and Installing Ink Cartridges

Make sure you have a new ink cartridge before you begin. Once you start replacing a cartridge, you must complete all the steps in one session.

Note:

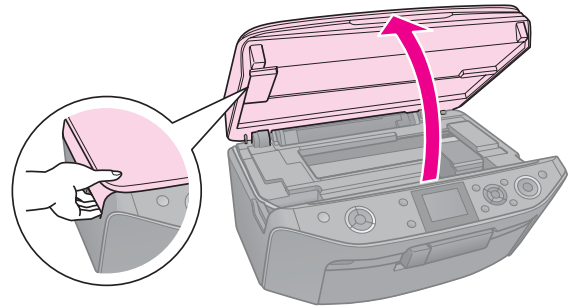
- Do not open the ink cartridge package until you are ready to install it in the printer. The cartridge is vacuum packed to maintain its reliability.

- Make sure the front tray is in the paper position (lower position) (➔ page 7).

1. Do one of the following:

- **If an ink cartridge is expended:** Look at the message on the LCD screen to find out which cartridge should be replaced, then press **OK**.
- **If an ink cartridge is not expended:** Press **ⓘ [Setup]**. Select **Maintenance**, and press **OK**. Select **Change Ink Cartridge**, and press **OK**.

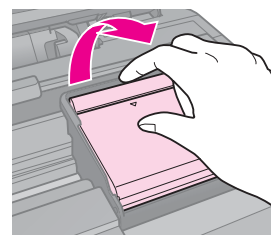
2. Lift up the scanner unit.



■ Caution:

Do not lift up the scanner unit when the document cover is open.

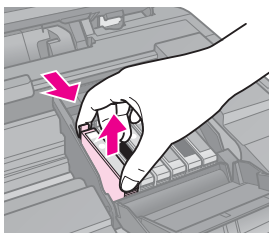
3. Open the cartridge cover.



■ Caution:

Never attempt to open the cartridge cover while the print head is moving. Wait until the print head has stopped at the replacement position.

4. Squeeze the tab and lift it straight up.



Caution:

Do not refill the ink cartridge. Other products not manufactured by Epson may cause damage that is not covered by Epson's warranties, and under certain circumstances, may cause erratic printer behavior.

Note:

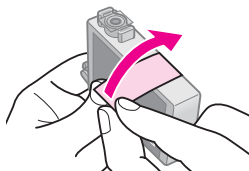
If it is difficult to remove the cartridge, lift the cartridge with more force until it comes out.

5. Remove the new cartridge from its package.

Caution:

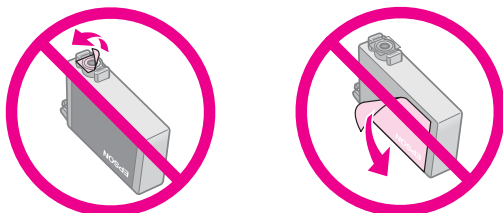
- Be careful not to break the hooks on the side of the ink cartridge when you remove it from the package.
- Do not touch the green chip on the side of the cartridge. This can damage the ink cartridge.

6. Remove the yellow tape.



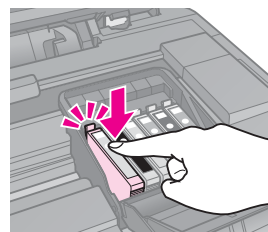
Caution:

- You must remove the yellow tape from the cartridge before installing it; otherwise, print quality may decline or you may not be able to print.
- Do not remove the seal.



- Be sure to always install an ink cartridge into the printer immediately following the removal of the current ink cartridge. If the ink cartridge is not installed promptly, the print head may dry out, rendering it unable to print.

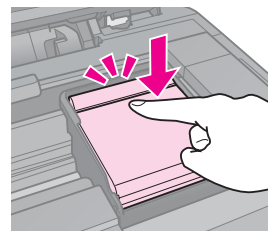
7. Place the new ink cartridge in the cartridge holder and press it down until it clicks into place.



8. Close the ink cartridge cover and press it until it clicks into place.

Caution:

If you find it difficult to close the cover, make sure all the cartridges are firmly seated. Press down on each cartridge until you hear it click into place. Do not attempt to force the cover closed.



9. Close the scanner unit.

10. Press **OK**.

The ink delivery system starts charging.

Caution:

- Do not turn off the printer during ink charging as this will waste ink.
- Do not insert the CD/DVD tray until ink charging is complete.

Note:

- If you had to replace an ink cartridge during copying, to ensure copy quality after ink charging is finished, cancel the job that is copying and start again from Placing Originals on the Document Table.
- If a message on the LCD screen still tells you that a cartridge should be replaced, the ink cartridges may not be installed properly. Press **OK** again, and press down the ink cartridge until it clicks into place.

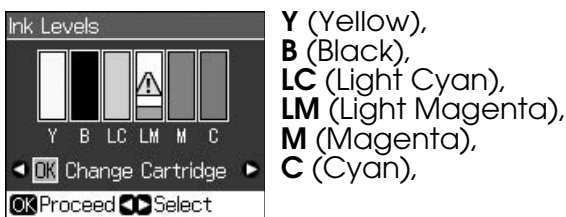
Maintenance


Checking the Ink Cartridge Status

You can check which cartridge is low.

1. Press **⏏** [**Setup**].
2. Select **Ink Levels**, then press **OK**.

You see a graphic showing the ink cartridge status:



When your ink starts getting low,  is displayed.

3. Press **⏪** **Back** to return to the previous screen.

Note:

Epson cannot guarantee the quality or reliability of non-genuine ink. If non-genuine ink cartridges are installed, the ink cartridge status may not be displayed.

Checking and Cleaning the Print Head

If your printouts are unexpectedly light, colors are missing, or you see light or dark lines across the page, you may need to clean the print head.

Note:

Make sure the front tray is in the paper position (lower position).

Tip:

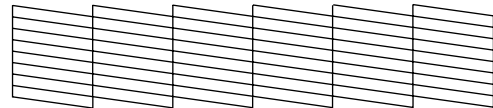
To maintain print quality, Epson recommends printing a few pages on a regular basis.

Checking the print head

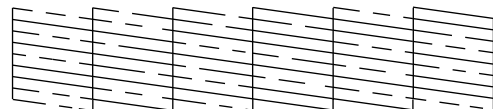
You can print a nozzle check pattern to see if any print head nozzles are clogged, or to check the results after cleaning the print head.

1. Load A4-size plain paper (➔ page 7).
2. Press **⏏** [**Setup**]. (If you have just finished cleaning the print head, you can start the nozzle check by pressing **⏏** **Start**.)
3. Select **Maintenance**, then press **OK**.
4. Select **Nozzle Check**, then press **OK**.
5. Press **⏏** **Start**.
6. Examine the nozzle check pattern you printed.

- If your printout looks like the one shown below, the print head does not need to be cleaned yet. Press **OK** to return to the main menu.



- If your printout has gaps like the one shown below, clean the print head as described in the next section.



Cleaning the print head

Follow these steps to clean the print head so it can deliver ink properly. Before cleaning the print head, run a nozzle check to see if the print head needs cleaning (➔ “Checking the print head” on page 26).

Note:

- Print head cleaning uses ink, so clean it only if quality declines.
- When ink is low you may not be able to clean the print head. When ink is expended you cannot clean the print head. Replace the appropriate ink cartridge first (➔ “Removing and Installing Ink Cartridges” on page 24).

1. Press **⏏** [**Setup**]. (If you have just finished checking the print head, you can start cleaning by pressing **⏏** **Start**, and then go to step 5.)

2. Select **Maintenance**, then press **OK**.
3. Select **Head Cleaning**, then press **OK**.
4. Press **Start**.

The printer begins cleaning the print head. Follow the message on the LCD screen.

Caution:

Never turn off the printer while head cleaning is in progress. You may damage it.

5. When cleaning finishes, a message is displayed on the LCD screen. Press **Start** to print a nozzle check pattern to check the results (➔ “Checking the print head” on page 26).

If there are still gaps or the test patterns are faint, run another cleaning cycle and check the nozzles again.

Note:

If you do not see any improvement after cleaning about four times, turn off the printer and wait for at least six hours. This lets any dried ink soften. Then try cleaning the print head again. If quality still does not improve, one of the ink cartridges may be old or damaged and needs to be replaced (➔ “Removing and Installing Ink Cartridges” on page 24).

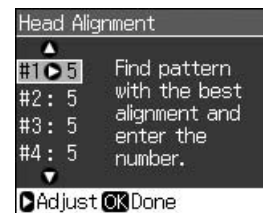
Aligning the Print Head

If your printouts contain misaligned vertical lines or horizontal banding, you may be able to solve this problem by aligning the print head.

Note:

Make sure the front tray is in the paper position (lower position).

1. Load A4-size plain paper (➔ page 7).
2. Press **Setup**.
3. Select **Maintenance**, then press **OK**.
4. Select **Head Alignment**, then press **OK**.
5. Press **Start**. Four rows of alignment patterns are printed.
6. Look at pattern #1 and find the patch that is most evenly printed, with no noticeable streaks or lines.
7. Select the number for that patch, then press **OK**.



8. Enter the numbers for the other patterns in the same way.
9. When you finish, press **OK** and you see a message indicating alignment is complete.

Solving Problems

See your online *User's Guide* for help on using the printer with a computer.

Error Messages

Error Messages	Solution
A printer error has occurred. Turn off the printer, then press On button to turn on. See your documentation.	Make sure that no paper is still in the printer. If the error message still appears, contact your dealer.
A scanner error has occurred. See your documentation.	Turn the printer off and then back on. If the error message still appears, contact your dealer.
Waste ink pad in the printer is saturated. Contact your dealer to replace it.	Contact your dealer to replace the ink pad.
Cannot recognize ink cartridges.	Make sure the ink cartridges are installed correctly. (➔ "Removing and Installing Ink Cartridges" on page 24). Then try again.
The document is too complex to print with Bluetooth.	See the documentation for the device transmitting the data.
Data error. The document cannot be printed.	See the documentation for the device transmitting the data. (Cause: The data is not available because of a malfunction in the device.)
Data error. The document may not be printed correctly.	See the documentation for the device transmitting the data. (Cause: A part of the data is corrupted or cannot be buffered.)

Error Messages	Solution
Cannot recognize the device.	Make sure the memory card has been inserted correctly. If you connected a USB storage device, make sure the storage disk has been inserted correctly.
Cannot recognize the memory card or disk.	Make sure the memory card or storage disk has been inserted correctly. If so, check to see if there is a problem with the card or disk and try again.
Backup Error Error Code xxxxxxxx	A problem occurred and backup was canceled. Make a note of the error code and contact your dealer.
A problem occurred while formatting. Formatting canceled.	Retry the procedure. If the error reoccurs, there may be a problem with your memory card or storage disk. Check the card or disk and try again.
An error occurred while saving. Save canceled.	
Cannot create a folder on the memory card or disk. Operation canceled.	Insert a new memory card or storage disk and try again.

Problems and Solutions

Setup problems

LCD screen and the mode light came on and then went out.

- The printer's voltage may not match the outlet rating. Turn off the printer and unplug it immediately. Then, check the printer labels.

⚠ Caution

If the voltage does not match, **DO NOT PLUG YOUR PRINTER BACK IN.** Contact your dealer.

The printer makes noise after you turn it on.

- Make sure the protective tape is not blocking the print head.

After releasing the print head, turn off the power, wait a moment, then turn it back on.

The printer makes noise after ink cartridge installation.

- When you install ink cartridges, the ink delivery system must be charged. Wait until charging is finished (the charging message disappears from the LCD screen), then turn off the printer. If you turn it off too soon, it may use extra ink the next time you turn it on.
- Make sure the ink cartridges are seated securely and no packing material remains in the printer. Open the cartridge cover and push the cartridges down until they click into place. Turn off the power, wait a moment, then turn it back on.

A screen that prompts you to restart the computer did not appear after finishing the software installation.

- The software has not been installed correctly. Eject and insert the software CD-ROM, and then install the software again.

The terms on the LCD screen are not displayed in your language.

- If the language displayed on the LCD screen is not the one you want, select the language you want from the Setup menu.

Printing and copying problems

LCD screen is off.

- Make sure that the printer is on.
- Turn off the printer and make sure that the power cord is securely plugged in.
- Make sure that your outlet works and is not controlled by a wall switch or timer.

The printer makes printing sounds, but nothing prints.

- The print head nozzles may need cleaning (➔ "Cleaning the print head" on page 26).
- Make sure the printer is on a flat, stable surface.

The margins are incorrect.

- Make sure your original is positioned in the top left corner of the document table.
- If the edges of the copy are cropped off, move the original away from the corner slightly.
- Make sure the paper size settings are correct for the paper you have loaded.
- Make sure your paper is loaded short edge first, all the way to the right, with the left edge guide lightly against the paper (➔ "Loading Paper" on page 7).
- Do not load paper above the ≡ arrow mark inside the left edge guide (➔ "Loading Paper" on page 7).
- Select **Actual** instead of **Auto Fit Page** or adjust the **Zoom** settings.
- Change the **Expansion** setting to adjust the amount of image that extends beyond the paper size during borderless printing.

Blank pages are printed.

- The print head nozzles may need cleaning (➔ "Cleaning the print head" on page 26).

Paper feed problems

Paper does not feed correctly or is jammed.

- If paper does not feed, remove it from the sheet feeder. Fan the paper, load it against the right side, and slide the left edge guide against the paper (but not too tightly).
- Do not load paper above the \equiv arrow mark inside the left edge guide (➔ “Loading Paper” on page 7).
- If paper is stuck inside the printer, press \odot **On** to turn it off. Open the scanner unit and remove any paper inside, including any torn pieces. Close the scanner unit. If any paper remains near the sheet feeder, gently pull it out. Then turn the printer back on and carefully reload paper.
- If paper jams frequently, make sure the left edge guide is not pushed too tightly against the paper. Try loading fewer sheets of paper.
- Make sure you are not using paper with binder holes.

Print quality problems

You see banding (light lines) in your printouts or copies.



- Clean the print head (➔ “Cleaning the print head” on page 26).
- Make sure you select the correct paper type (➔ “Selecting Paper” on page 6).
- Make sure the printable (whiter or glossier) side of the paper is face up.
- Use up ink cartridges within six months after installing them.
- The ink cartridges may need replacing (➔ “Removing and Installing Ink Cartridges” on page 24).
- Align the print head (➔ “Aligning the Print Head” on page 27).
- Clean the document table. See your online *User’s Guide*.

- If a moiré (cross-hatch) pattern appears on your copy, change the **Zoom** setting or shift the position of your original.

Your printout is blurry or smeared.

- Make sure the document is placed flat against the document table. If only part of the image is blurred, your original may be wrinkled or warped.
- Make sure the printer is not tilted or placed on an uneven surface.
- Make sure your paper is not damp, curled, or loaded face down (the whiter or glossier printable side should be face up). Load new paper face-up.
- Make sure you select the correct paper type (➔ “Selecting Paper” on page 6).
- Use a support sheet with special paper or try loading your paper one sheet at a time.
- Load your paper one sheet at a time. Remove sheets from the front tray so not too many collect at a time.
- Clean the print head (➔ “Cleaning the print head” on page 26).
- Align the print head (➔ “Aligning the Print Head” on page 27).
- To clean the inside of the printer, make a copy without placing a document on the document table.
- Use only paper recommended by Epson and genuine Epson ink cartridges.
- Clean the document table. See your online *User’s Guide*.

Your printout is faint or has gaps.

- Clean the print head (➔ “Cleaning the print head” on page 26).
- If you notice jagged vertical lines, you may need to align the print head (➔ “Aligning the Print Head” on page 27).
- The ink cartridges may be old or low on ink. Replace an ink cartridge (➔ “Removing and Installing Ink Cartridges” on page 24).
- Make sure you select the correct paper type (➔ “Selecting Paper” on page 6).
- Make sure your paper is not damaged, old, dirty, or loaded face-down. If it is, load new paper with the whiter or glossier side face-up.

- When you select **Standard** or **Best** as the **Quality** setting, select **Off** as the **Bidirectional** setting. Bidirectional printing decreases print quality.

Your printout is grainy.

- Make sure you select **Best** as the **Quality** setting.
- If you are printing or copying a photo, make sure you are not enlarging it too much. Try printing it smaller.
- Align the print head (➔ “Aligning the Print Head” on page 27).

You see incorrect or missing colors.

- Clean the print head (➔ “Cleaning the print head” on page 26).
- The ink cartridges may be old or low on ink. Replace an ink cartridge (➔ “Removing and Installing Ink Cartridges” on page 24).
- Make sure you loaded the right paper and selected the correct setting for it on the LCD screen.
- Make sure you are not using a special effect that alters image colors, like **Sepia**.
- If your paper runs out during printing, load paper as soon as possible. If the printer is left without paper for a long period of time during printing, the colors of your next copy or print job may be incorrect.

Your printout is too dark.

- If you are copying, press \equiv **Menu** and adjust the **Density**.

The image size or position is incorrect.

- Make sure you loaded the right paper and selected the correct setting for it on the LCD screen.
- Make sure the original is placed correctly on the document table (➔ “Placing Originals on the Document Table” on page 11).
- Clean the document table. See your online *User’s Guide*.

Scan quality problems

Only part of the photo is scanned.



- The printer has non-readable areas at the edges. Move the photo away from the edges slightly.

The file size is too big.

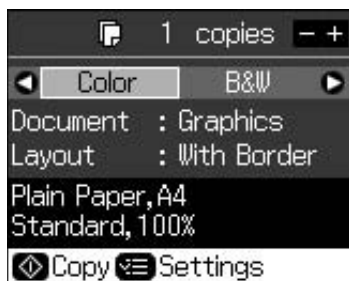
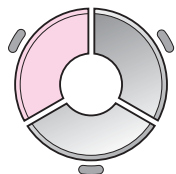
- Try changing the quality settings.

For more solutions

If you cannot solve the problem using troubleshooting, contact customer support services for assistance. You can find customer support information for your area in your online *User’s Guide* or warranty card. If it is not listed there, contact the dealer where you purchased your printer.

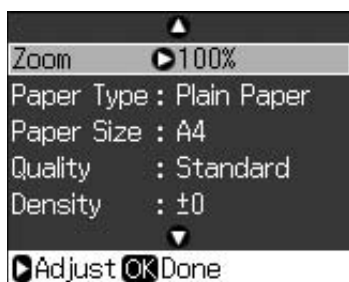
Summary of Panel Settings

Copy Mode



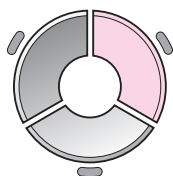
Menu	Setting Item	Description
copies	1 to 99	-
Color/B&W	Color, B&W	-
Document	Text, Graphics, Photo	-
Layout	With Border	Copies your original with a standard 3-mm margin.
	Borderless	Copies your photo all the way to the edges of the paper. Note: Your image is slightly enlarged and cropped to fill the sheet of paper. Print quality may decline in the top and bottom areas of the printout, or the area may be smeared when printing.
	CD/DVD Copy	Copies your photo onto a CD or DVD label. The image is automatically cropped and resized to fit on the CD/DVD label.
	2-up Copy	Reduces the size of two originals and copies them onto one sheet. Note: Place one original on the document table. After finishing scanning the first original, place the second original. If you do not select two originals, a blank space is left on the paper.
	Repeat Copy	Copies a photo at actual size as many time as it will fit on one sheet.
	Repeat-4	Copies a photo four times on one sheet.

Print settings for Copy mode



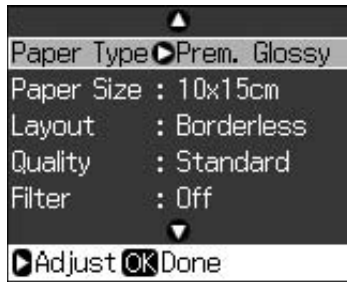
Menu	Setting Item	Description
Zoom	Actual, Auto Fit Page, 10 × 15 cm->A4, A4->10 × 15 cm, 13 × 18->10 × 15, 10 × 15->13 × 18, A5->A4, A4->A5	Select Actual to print your photo at its original size. Select Auto Fit Page for borderless printing and resizing the image to fit various common paper sizes. You can also resize the original to a specific scale using Copies + or - .
Paper Type	Plain Paper, Matte, Prem. Glossy, Ultra Glossy, Photo Paper, CD/DVD	-
Paper Size	A4, 10 × 15 cm, 13 × 18 cm, CD/DVD, A5	-
Quality	Draft, Standard, Best	-
Density	-4 to +4	-
Expansion	Standard, Mid., Min.	Select the amount the image is expanded when you select Borderless . Standard: The image is slightly enlarged and cropped to fill the sheet of paper. Mid: Margins might be printed. (Low expansion rate.) Min: Margins might be printed. (Lowest expansion rate.)
CD Inner-Outer	Outer: 114 - 120 mm (Standard: 114 mm) Inner: 18 - 46 mm (Standard: 46 mm)	Select to resize the print position for the inside and outside diameter of the CD/DVD label.

Memory Card Mode



Setting Item	Description
View and Print Photos	Prints only the photos that you choose.
Print All Photos	Prints all the photos on your memory card.
Print by Date	Prints photos by the date they were taken.
Print Index Sheet	Prints thumbnails of the photos on your memory card and lets you select which ones you want to print.
Slide Show	Displays all photos on your memory card as a slide show and prints photos that you choose.
Scan to Memory Card	Saves the photos to a memory card.

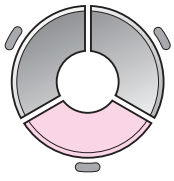
Print settings for Memory Card mode



Menu	Setting Item	Description
Paper Type	Prem. Glossy, Ultra Glossy, Photo Paper, Plain Paper, Matte, Sticker16, Stickers	-
Paper Size	10 × 15 cm, 13 × 18 cm, 16:9 wide, A4, A6, 100 × 148 mm	-
Layout	Borderless	Prints your photo all the way to the edges of the paper. Note: Your image is slightly enlarged and cropped to fill the sheet of paper. Print quality may decline in the top and bottom areas of the printout, or the area may be smeared when printing.
	With Border	Prints your photo with a white margin at the edge.
	Upper 1/2	Prints your photo on the upper half of the paper.
	Photo ID	Prints photos at two sizes (35.0 × 45.0 mm and 50.8 × 50.8 mm) on the 10 × 15 cm (4 × 6 in.) size photo paper. This is useful for printing identification photos.
	2-up, 4-up, 8-up, 20-up, 30-up, 80-up	Prints multiple photos on one sheet. The size of each photo is adjusted automatically according to the number of photos to print and the size of paper. In 20-up layout, the numbers and photo dates are printed. Note: When you select a number of photos less than the total, unused areas of the layout will be left blank.
	16-up	Places 16 images on one photo stickers sheet Note: When you print a photo stickers sheet, if you select only one photo, 16 copies of the same photo are printed on one sheet. If you select two or more, the number of copies you set for each is printed in a 16-up layout and unused areas of the layout are left blank.
	XXXXXXXX (The file name for your P.I.F. frame is displayed.)	Prints your photo with the P.I.F. frame. Note: If your memory card contains P.I.F. frame data, you can choose the P.I.F. data to print with your photo from the Layout option.
Quality	Draft, Standard, Best	-

Menu	Setting Item	Description
Filter	Off, Sepia, B&W	-
Enhance	PhotoEnhance, P.I.M., None	Select PhotoEnhance to adjust the brightness, contrast, and saturation of your photos automatically. Select P.I.M. to use your camera's PRINT Image Matching or Exif Print settings.
Reduce Red Eye	Off, On	Select On to correct red eye. Note: Depending on the type of photo, parts of the image other than the eyes may be corrected.
Brightness	Brightest, Brighter, Standard, Darker, Darkest	-
Contrast	Standard, Higher, Highest	-
Sharpness	Sharpest, Sharper, Standard, Softer, Softest	-
Saturation	Highest, Higher, Standard, Lower, Lowest	-
Date	None, yyyy.mm.dd, mmm.dd.yyyy, dd.mmm.yyyy	Prints the date your photo was taken.
Print Info.	Off, On	Select On to print your camera's exposure time (shutter speed), F-stop (aperture), and ISO speed.
Fit Frame	On, Off	Select On , to automatically crop your photo to fit inside the space available for the layout you selected. Select Off to turn off automatic cropping and leave white space at the edges of the photo.
Bidirectional	On, Off	Select On to increase the print speed. Select Off to improve the print quality (but your photos print more slowly).
Expansion	Standard, Mid., Min.	Select the amount the image is expanded when you select Borderless . Standard: The image is slightly enlarged and cropped to fill the sheet of paper. Mid.: Margins might be printed. (Low expansion rate.) Min.: Margins might be printed. (Lowest expansion rate.)

Specialty Print Mode



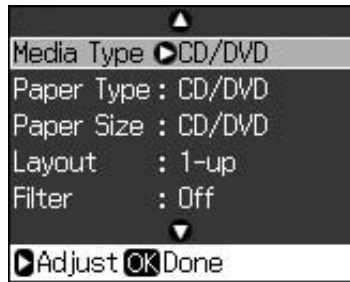
Setting Item	Description
Reprint/Restore Photos	Makes photo reprints or restores faded photo.
Print on CD/DVD	Prints photos on CD/DVD or on a CD/DVD jacket.

Print settings for Reprint/Restore Photos



Menu	Setting Item	Description
Paper Type	Prem. Glossy, Ultra Glossy, Photo Paper, Matte	-
Paper Size	10 × 15 cm, 13 × 18 cm, A4	-
Layout	Borderless	Copies your photo all the way to the edges of the paper. Note: Your image is slightly enlarged and cropped to fill the sheet of paper. Print quality may decline in the top and bottom areas of the printout, or the area may be smeared when printing.
	With Border	Copies your original with a standard 3-mm margin.
Quality	Standard	-
Filter	Off, B&W	-
Expansion	Standard, Mid., Min.	Select the amount the image is expanded when you select Borderless . Standard: The image is slightly enlarged and cropped to fill the sheet of paper. Mid.: Margins might be printed. (Low expansion rate.) Min.: Margins might be printed. (Lowest expansion rate.)

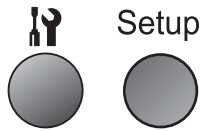
Print settings for Print on CD/DVD



Menu	Setting Item	Description
Media Type	CD/DVD, CD Jacket	-
Paper Type	CD/DVD, Plain Paper, Prem. Glossy, Ultra Glossy, Photo Paper, Matte	-
Paper Size	CD/DVD, A4	-
Layout	1-up	Prints one photo on the CD/DVD, centered on the hole in the middle of the disk.
	4-up	Prints four photos on the CD/DVD, with one image in each of the four quarters.
	8-up, 12-up	Prints eight or 12 photos on the CD/DVD, arranged in a circle around the outer edge of the disk.
	Jewel Upper	Prints a photo at CD case size on one half of the paper with a perforated line.
	Jewel Index	Prints 24 photos in an area twice the size of a CD case with a perforated line.
Quality	Draft, Standard, Best	-
Filter	Off, Sepia, B&W	-
Enhance	PhotoEnhance, P.I.M., None	Select PhotoEnhance to adjust the brightness, contrast, and saturation of your photos automatically. Select P.I.M. to use your camera's PRINT Image Matching or Exif Print settings.
Reduce Red Eye	Off, On	Select On to correct red eye. Note: Depending on the type of photo, parts of the image other than the eyes may be corrected.
Brightness	Brightest, Brighter, Standard, Darker, Darkest	-
Contrast	Standard, Higher, Highest	-
Sharpness	Sharpest, Sharper, Standard, Softer, Softest	-
Saturation	Highest, Higher, Standard, Lower, Lowest	-

Menu	Setting Item	Description
CD Inner-Outer	Outer: 114 - 120 mm (Standard: 116 mm) Inner: 18 - 46 mm (Standard: 43 mm)	Select to resize the print position for the inside and outside diameter of the CD/DVD label.
Density	Standard, Darker, Darkest	-
Date	None, yyyy.mm.dd, mmm.dd.yyyy, dd.mmm.yyyy	Prints the date your photo was taken.
Print Info.	Off, On	Select On to print your camera's exposure time (shutter speed), F-stop (aperture), and ISO speed.
Fit Frame	On, Off	Select On , to automatically crop your photo to fit inside the space available for the layout you selected. Select Off to turn off automatic cropping and leave white space at the edges of the photo.
Bidirectional	On, Off	Select On to increase the print speed. Select Off to improve the print quality (but your photos print more slowly).

Setup Mode



Ink Levels		
Maintenance	Nozzle Check	
	Head Cleaning	
	LCD Brightness	
	Head Alignment	
	Change Ink Cartridge	
	Thick Paper	Off, On
	Language	English, German, Spanish, Portuguese, French, Italian, Dutch, Russian, Korean, Traditional-Chinese (The languages displayed vary by location.)
	Screen Saver Settings	None, Memory Card Data
CD/Sticker Position	CD/DVD, Stickers	
PictBridge Setup	See "Print settings for Memory Card mode" on page 34.	
Backup Memory Card	Backup Memory Card, Folder Select	
Bluetooth Settings	See your online <i>User's Guide</i> .	
Restore Default Settings		

EPSON

EXCEED YOUR VISION



MEMORY STICK PRO™



Supply Ink Cartridges

Printer Name	Black	Cyan	Magenta	Yellow	Light Cyan	Light Magenta
RX585 Series	T0801	T0802	T0803	T0804	T0805	T0806
RX610 Series	T0821	T0822	T0823	T0824	T0825	T0826
	T0811	T0812	T0813	T0814	T0815	T0816