

EPSON AcuLaser C3800 / C2800 Series Paper Jam Guide

The illustrations in this manual are of the AcuLaser C3800.



Warnings must be followed carefully to avoid bodily injury.



Cautions must be observed to avoid damage to your equipment.

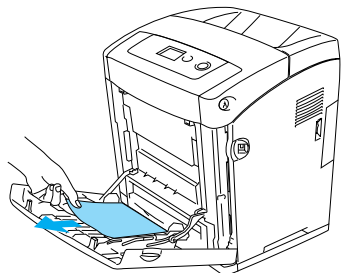
Notes contain information and useful tips on the operation of your printer.

When the LCD panel displays the Paper Jam XXX error message, choose the appropriate description to clear the jammed paper.

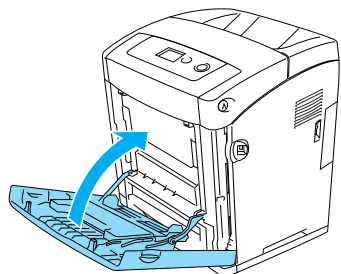
For more information, see the Online User's Guide.

Jam MP C1 A

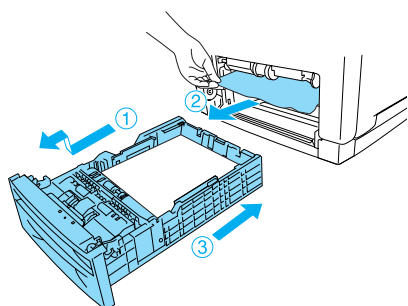
1



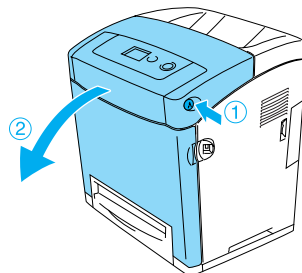
2



3



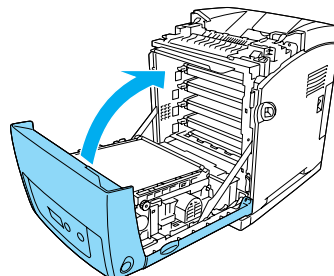
4



Caution:

- Do not leave the front cover open for more than five minutes to avoid exposing the imaging cartridges to light.
- Do not expose the imaging cartridges to sunlight at all.

5

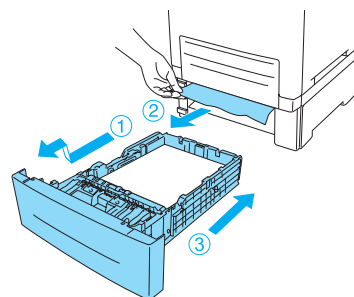


Jam C2 C1 A

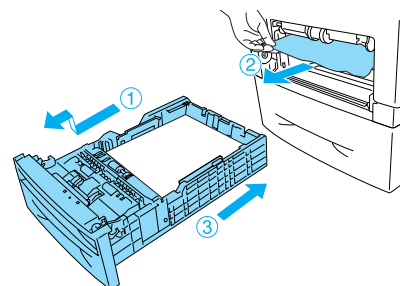
Note:

If the MP tray is open, remove all the paper and then close the MP tray.

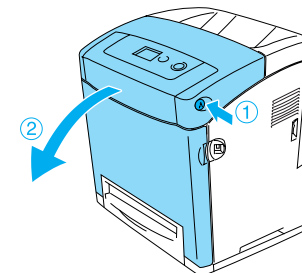
1



2



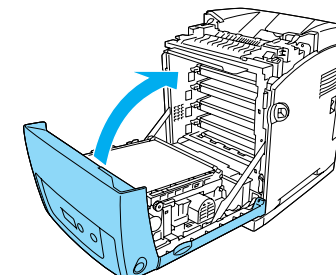
3



Caution:

- Do not leave the front cover open for more than five minutes to avoid exposing the imaging cartridges to light.
- Do not expose the imaging cartridges to sunlight at all.

4

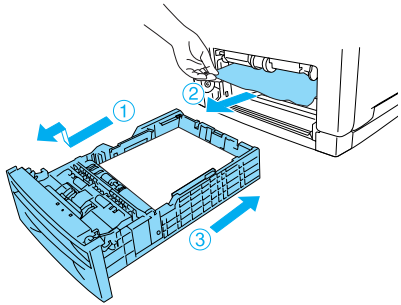


Jam C1 A

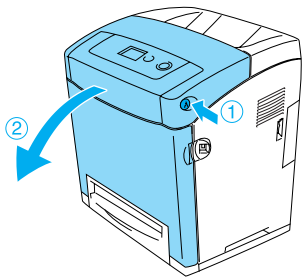
Note:

If the MP tray is open, remove all the paper and then close the MP tray.

1



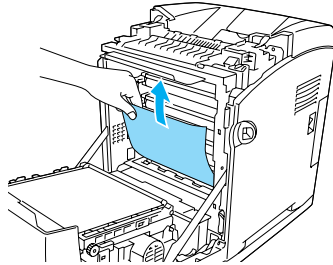
2



Caution:

- Do not leave the front cover open for more than five minutes to avoid exposing the imaging cartridges to light.
- Do not expose the imaging cartridges to sunlight at all.

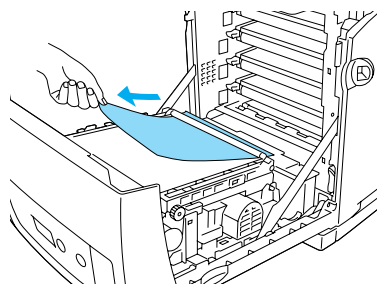
3



Caution:

Do not touch the transfer belt and light-sensitive drums to avoid damaging them.

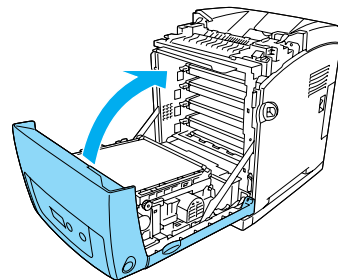
4



Caution:

Be careful not to damage the transfer belt.

5

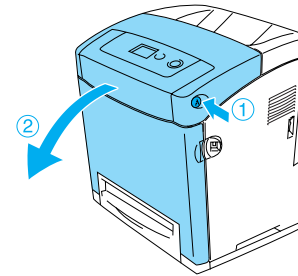


Jam A D

Note:

If the MP tray is open, remove all the paper and then close the MP tray.

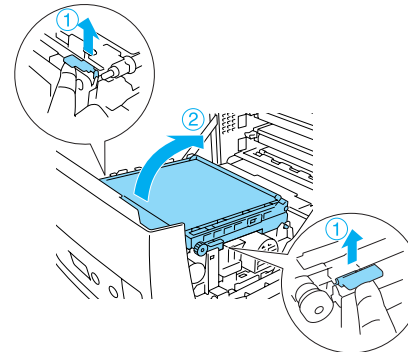
1



Caution:

- Do not leave the front cover open for more than five minutes to avoid exposing the imaging cartridges to light.
- Do not expose the imaging cartridges to sunlight at all.

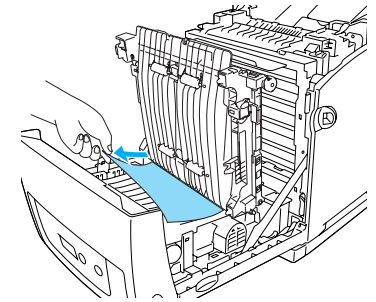
2



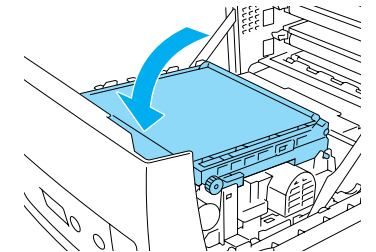
Caution:

Do not touch the transfer belt and light-sensitive drums to avoid damaging them.

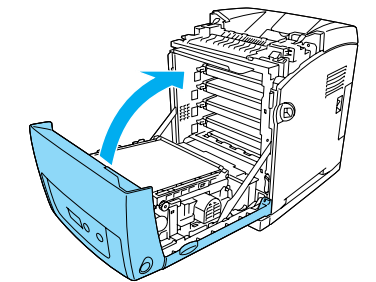
3



4



5

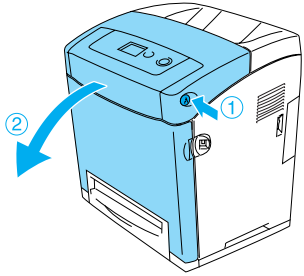


Jam A B

Note:

If the MP tray is open, remove all the paper and then close the MP tray.

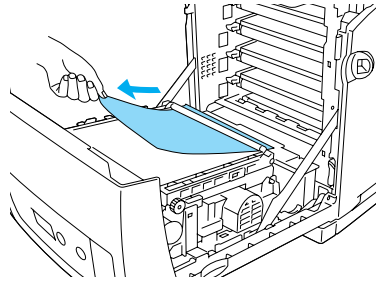
1



Caution:

- ❑ Do not leave the front cover open for more than five minutes to avoid exposing the imaging cartridges to light.
- ❑ Do not expose the imaging cartridges to sunlight at all.

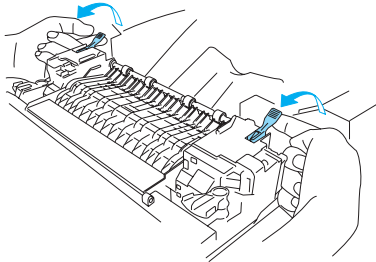
2



Caution:

- ❑ Be careful not to damage the transfer belt.
- ❑ Do not touch the transfer belt and light-sensitive drums to avoid damaging them.

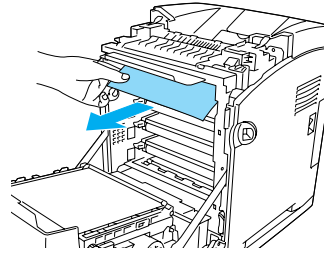
3



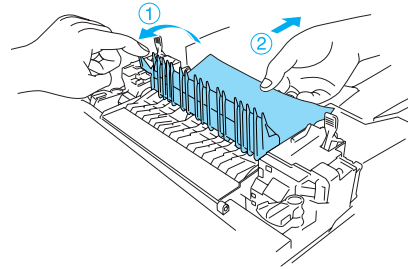
Warning:

Be careful not to touch the fuser, which is marked CAUTION HIGH TEMPERATURE, or the surrounding areas. If the printer has been in use, the fuser and the surrounding areas may be very hot. If you must touch one of these areas, wait 30 minutes to allow the heat to subside before doing so.

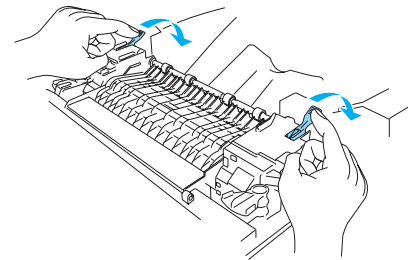
4



5



6



7

