

**EPSON STYLUS™ PRO 11880**  
**EPSON STYLUS™ PRO 11880C**

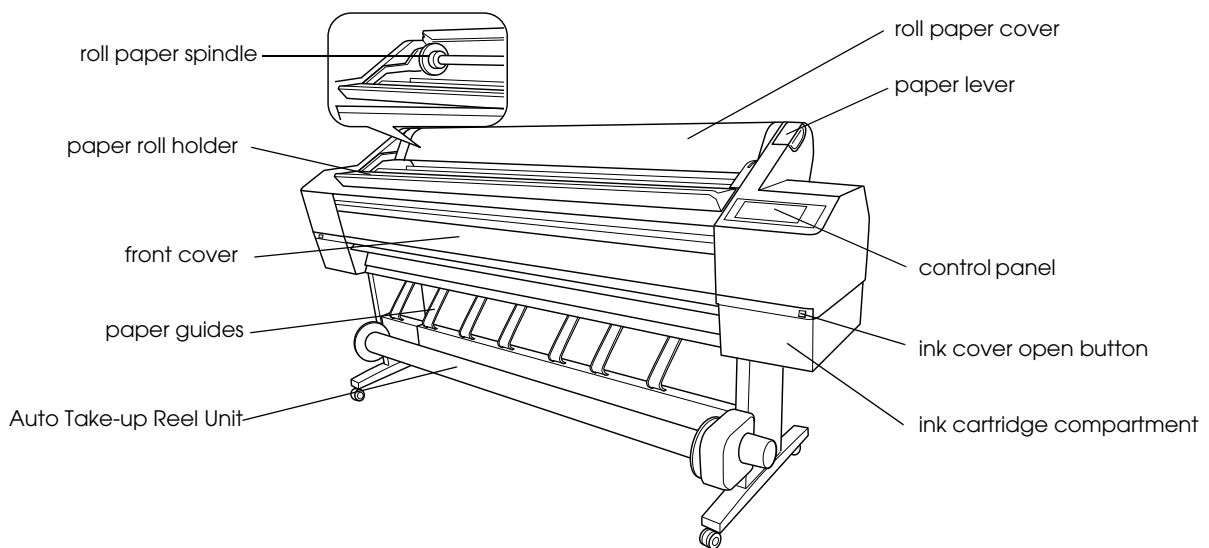
# *Unpacking and Setup Guide*

---

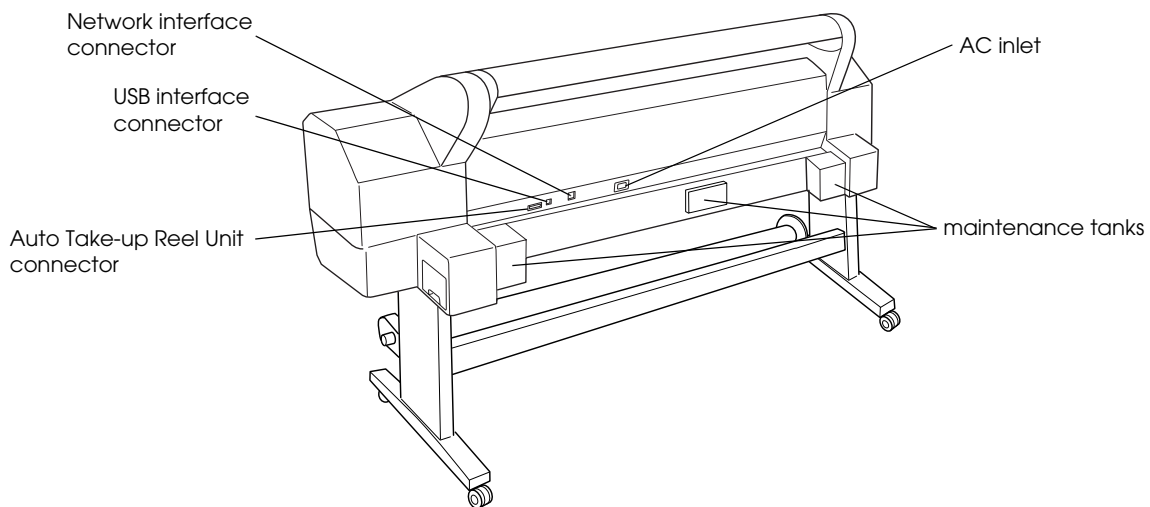
Safety Instructions . . . . .	1
Unpacking and Assembling the Base Unit . . . .	3
Unpacking the Printer . . . . .	4
Mounting the Printer on the Base Unit . . . . .	5
Installing the Auto Take-Up Reel Unit . . . . .	6
Choosing a Place for the Printer . . . . .	9
Setting up the Printer . . . . .	10
Confirming the Printing . . . . .	13
Loading the Cut Sheet Media . . . . .	16
Connecting the Printer with Your Computer .	20
Installing the Printer Driver and Software . .	21
Aligning the Print Head . . . . .	22
Using the Online User's Guide . . . . .	24

## Printer Parts

### Front view



### Rear view



No part of this publication may be reproduced, stored in a retrieval system, or transmitted in any form or by any means, electronic, mechanical, photocopying, recording, or otherwise, without the prior written permission of Seiko Epson Corporation. The information contained herein is designed only for use with this Epson printer. Epson is not responsible for any use of this information as applied to other printers.

Neither Seiko Epson Corporation nor its affiliates shall be liable to the purchaser of this product or third parties for damages, losses, costs, or expenses incurred by the purchaser or third parties as a result of accident, misuse, or abuse of this product or unauthorized modifications, repairs, or alterations to this product, or (excluding the U.S.) failure to strictly comply with Seiko Epson Corporation's operating and maintenance instructions.

Seiko Epson Corporation shall not be liable for any damages or problems arising from the use of any options or any consumable products other than those designated as Original Epson Products or Epson Approved Products by Seiko Epson Corporation.

Seiko Epson Corporation shall not be held liable for any damage resulting from electromagnetic interference that occurs from the use of any interface cables other than those designated as Epson Approved Products by Seiko Epson Corporation.

EPSON® is a registered trademark, and EPSON STYLUS™ and Exceed Your Vision are trademarks of Seiko Epson Corporation. Microsoft® and Windows® are registered trademarks of Microsoft Corporation. Apple® and Macintosh® are registered trademarks of Apple Inc.

*General Notice: Other product names used herein are for identification purposes only and may be trademarks of their respective owners. Epson disclaims any and all rights in those marks.*

## Safety Instructions

Read all of these instructions before using your printer. Also be sure to follow all warnings and instructions marked on the printer.

### Warning, Cautions, and Notes



**Warnings** must be followed carefully to avoid bodily injury.



**Cautions** must be observed to avoid damage to your equipment.

**Notes** contain important information and useful tips on the operation of your printer.

### Important Safety Instructions

Read all of these instructions before using your printer. Also be sure to follow all warnings and instructions marked on the printer.

- ❑ Do not block or cover the openings in the printer's cabinet.
- ❑ Do not insert objects through the slots. Take care not to spill liquid on the printer.
- ❑ Use only the type of power source indicated on the printer's label.
- ❑ Do not use a damaged or frayed power cord.
- ❑ If you use an extension cord with the printer, make sure the total ampere rating of the devices plugged into the extension cord does not exceed the cord's ampere rating. Also, make sure the total ampere rating of all devices plugged into the wall outlet does not exceed the wall outlet's ampere rating.
- ❑ Do not attempt to service the printer yourself.
- ❑ Unplug the printer and refer servicing to qualified service personnel under the following conditions:

The power cord or plug is damaged; liquid has entered the printer; the printer has been dropped or the cabinet damaged; the printer does not operate normally or exhibits a distinct change in performance.

- ❑ The interface connectors (both USB and network interface) and the connector for Auto Take-up Reel Unit are LPS (limited power source).
- ❑ If damage occurs to the plug, replace the cord set or consult a qualified electrician. If there are fuses in the plug, make sure you replace them with fuses of the correct size and rating.

### A Few Precautions

#### When choosing a place for the printer

- ❑ Avoid places subject to rapid changes in temperature and humidity. Also keep the printer away from direct sunlight, strong light, or heat sources.
- ❑ Avoid places subject to shocks and vibrations.
- ❑ Keep the printer away from the dusty areas.
- ❑ Place the printer near a wall outlet where the plug can be easily unplugged.

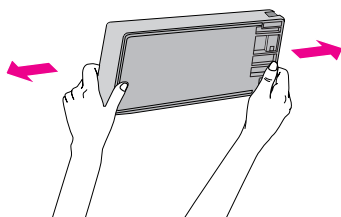
#### When using the printer

- ❑ Do not put your hand inside the printer or touch the ink cartridges during printing.
- ❑ Do not move the print heads by hand; otherwise you may damage the printer.

#### When Handling the Ink Cartridges

- ❑ Keep ink cartridges out of the reach of children and do not drink their contents.
- ❑ Store ink cartridges in a cool, dark place.
- ❑ If ink gets on your skin, wash it off with soap and water. If ink gets in your eyes, flush them immediately with water.

- ❑ Shake an ink cartridge well before installing it for best results.



**Caution:**

*Do not shake cartridges (that have been installed previously) with too much force.*

- ❑ Do not use an ink cartridge beyond the date printed on the cartridge carton.
- ❑ Use up the ink cartridge within six months of installation for best results.
- ❑ Do not dismantle the ink cartridges or try to refill them. This could damage the print head.
- ❑ Do not touch the ink supply port or its surrounding area and the green IC chip on the side of the ink cartridge. Doing so may affect normal operation and printing.
- ❑ If you move the ink cartridge from the cold place to warm place, condensation may occur. Leave it at room temperature for more than four hours before using the ink cartridge.

## **For United Kingdom Users**

### **Use of options**

EPSON (UK) Limited shall not be liable against any damages or problems arising from the use of any options or consumable products other than those designated as Original EPSON Products or EPSON Approved Products by EPSON (UK) Limited.

### **Safety information**



**Warning:**

*This appliance must be earthed. Refer to rating plate for voltage and check that the appliance voltage corresponds to the supply voltage.*

**Important:**

*The wires in the mains lead fitted to this appliance are coloured in accordance with the following code:*

*Green and yellow - Earth*

*Blue - Neutral*

*Brown - Live*

If you have to fit a plug:

As the colours of the mains lead of this appliance may not match coloured markings used to identify the terminals in a plug, please proceed as follows:

The green and yellow wire must be connected to the terminal in the plug which is marked with the letter E or earth symbol ( $\perp$ ).

The blue wire must be connected to the terminal in the plug marked with the letter N.

The brown wire must be connected to the terminal in the plug marked with the letter L.

If damage occurs to the plug, replace the cord set or consult a qualified electrician.

Replace fuses only with a fuse of the correct size and rating.

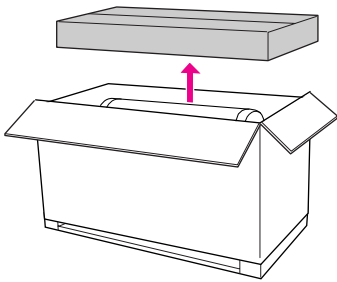
## **ENERGY STAR® Compliance**



## Unpacking and Assembling the Base Unit

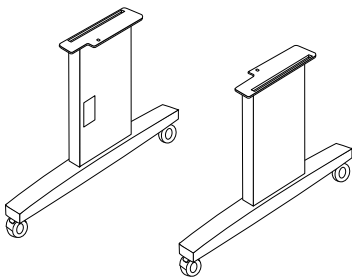
### Checking the contents

1. Open the box, and then lift up the box that contains the base unit and away from the printer.

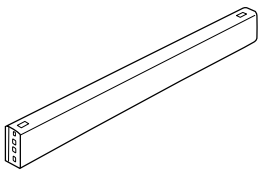


2. Open the box that contains the base unit, and make sure that all the items shown below are included and not damaged.

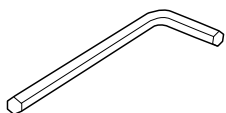
Base upright, left / Base upright, right



Horizontal strut



Hex wrench



Hex socket head bolts (4)



Wing nuts, spring washers, and washers (4)



### Assembling the base unit



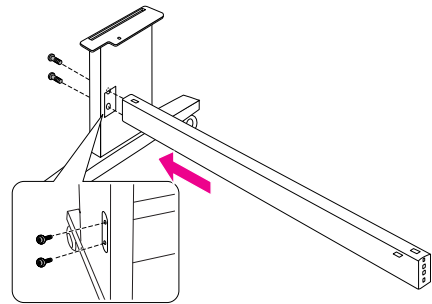
#### Warning:

Have two people working on either side to assemble the base unit (23.2 kg).

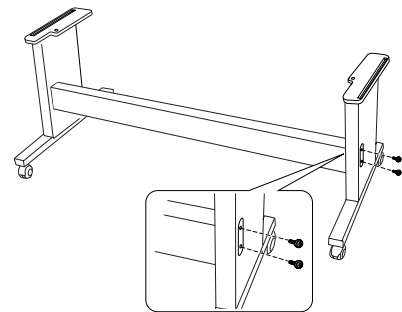
1. Hold base upright left and a horizontal strut as shown. Then fix the strut to the base using the two hex socket head bolts with the hex wrench.

#### Note:

Do not fasten the screws too tight. Leave room to adjust the position when you fasten the screws on the other base upright.



2. Referring to step 1, secure the other side of the strut to the base.



3. Fasten four screws on the both sides of the base upright securely.

This completes assembly of the base unit. Then, see the next section for unpacking the printer.

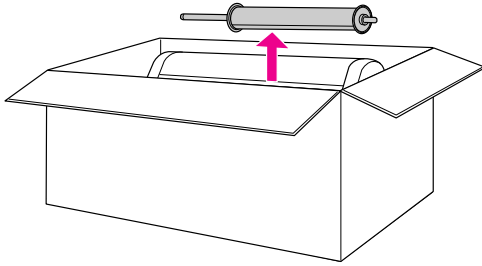
## Unpacking the Printer



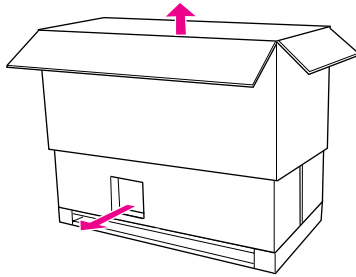
### Warning:

The printer unit is heavy and unwieldy. Have two people unpack the printer unit.

1. Remove the roll paper spindle with roll paper, polystyrene foam, and cardboard cushions from around the printer.



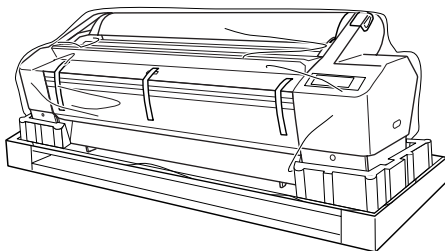
2. Lift the box up and away from the printer. Remove all items from the hollow on the rear side of the printer.



### Note:

The ink cartridges included with your printer are primarily for the initial setup.

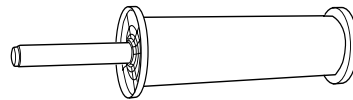
3. Take out the cardboard panels from the printer.
4. Remove the plastic cover from the printer.



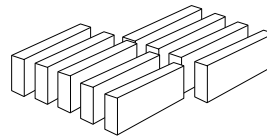
## Checking the contents

Make sure that all the items shown below are included and not damaged.

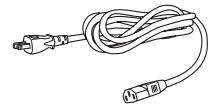
### Roll paper spindle with the roll paper



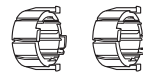
### Ink cartridges (9)



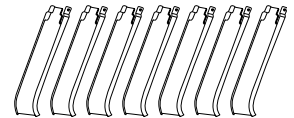
### Power cord



### Gray attachments (2)



### Paper guides (7)



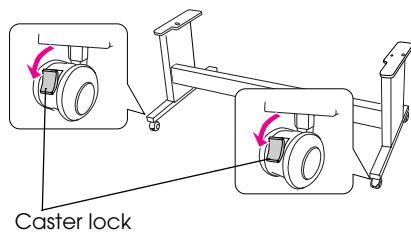
## Mounting the Printer on the Base Unit



### Warning:

Do not attempt to lift the printer unit (about 127.3 kg) with fewer than four people.

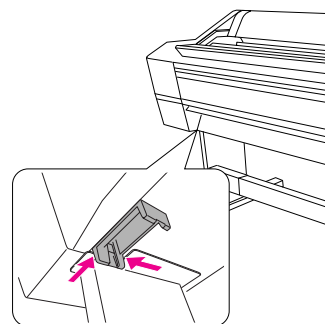
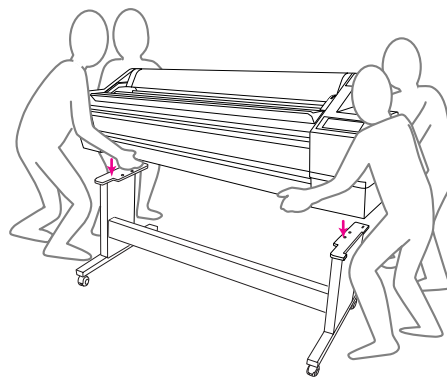
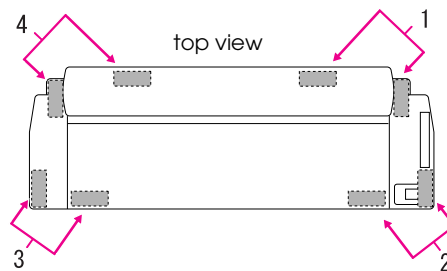
1. Lock the two front casters.  
Place the casters sideways and lock them so they will not move.



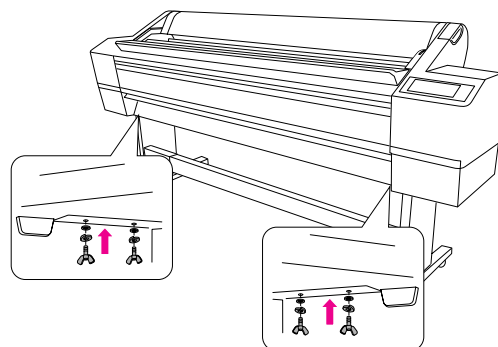
2. Position the base unit in front of the printer, and then mount the printer on the base unit as shown below.

### Note:

When you place the printer on the base unit, match the right end square of the printer to the square of the same part of the base unit.



3. Fasten the bottom of the printer and base unit with wing nut, spring washers, and washers.

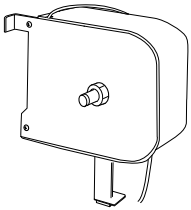


## Installing the Auto Take-Up Reel Unit

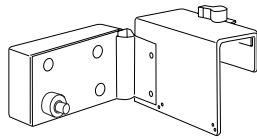
### Checking the contents

Make sure that all the items shown below are included and not damaged.

Drive unit



Movable unit



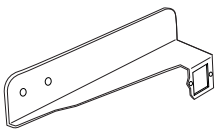
Flange (for drive unit)



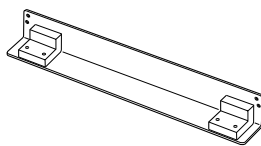
Flange (for movable unit)



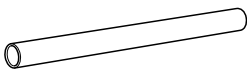
Reflector



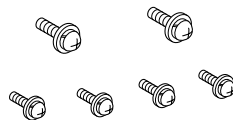
Movable unit stopper



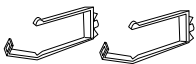
Take-up reel core (3 inch)



Screws  
(Large 2 (black), small 4)



Cable clamps (2)

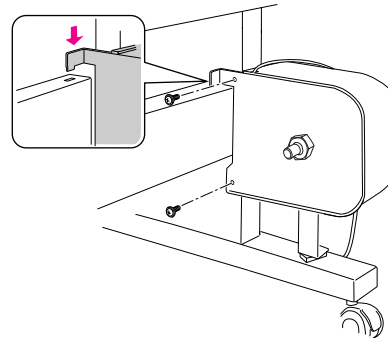


Drafting tape



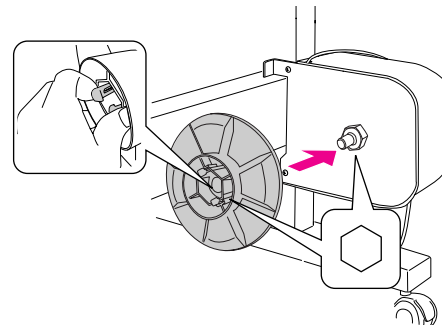
## Installing the Auto Take-up Reel Unit

1. Attach the drive unit on the horizontal strut as shown below, and tighten the black screws to attach the drive unit to the printer securely.

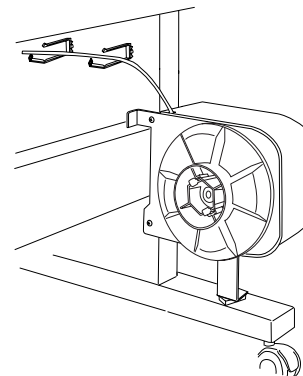


2. Attach the flange (marked with R) on the drive unit by pinching the knob.

The flange is reversible. One side is for the 3-inch core, and the other side is for the 2-inch core. Set the appropriate side for the core.

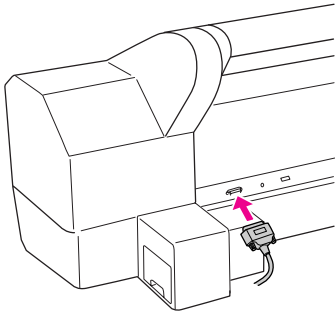


3. Attach the clamps on the right base unit, and route the cord through the clamps.

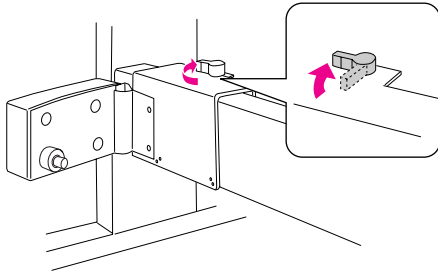




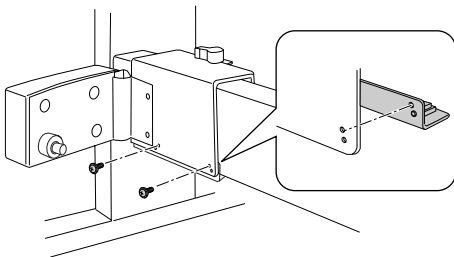
4. Plug the cable connector into the connector on the back of the printer as shown below, then tighten the screws on both sides of the connector.



5. Turn the lock lever to the left to release it.

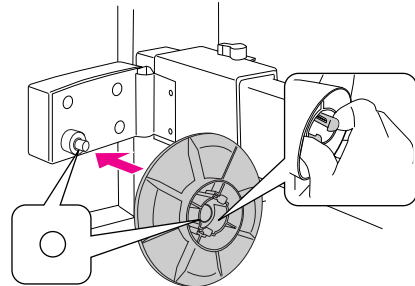


6. While holding the movable unit, attach the movable unit stopper on the bottom of the movable unit. Snap the two protrusions of the stopper into the movable unit, so the stopper does not fall off. Tighten the two screws to attach the movable unit to the horizontal strut.

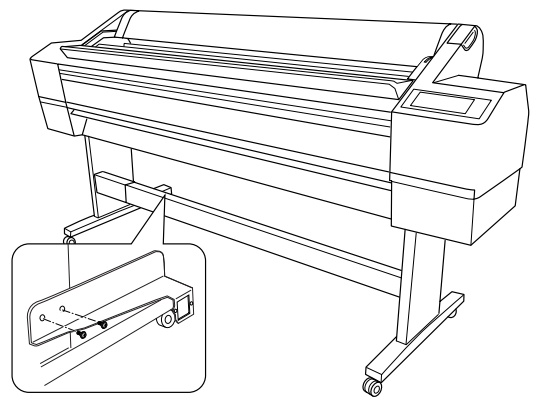


7. Attach the flange (marked with L) on the movable unit by pinching the knob.

The flange is reversible. One side is for the 3-inch core, and the other side is for the 2-inch core. Set the appropriate side for the core.

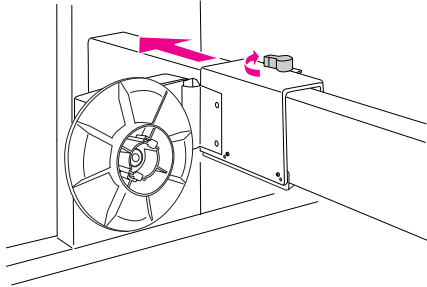


8. Attach the reflector on the back of the left base unit, and then tighten the two screws.

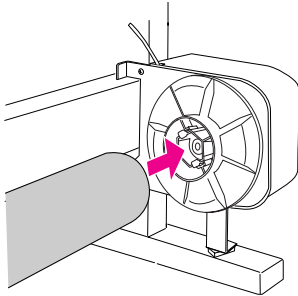


## Installing the take-up reel core

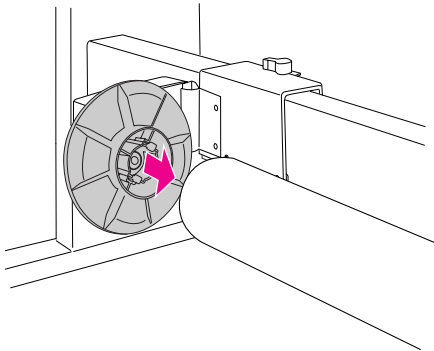
1. Make sure that the lock lever is released (turned to the left). Slide the movable unit to the left end of the horizontal strut.



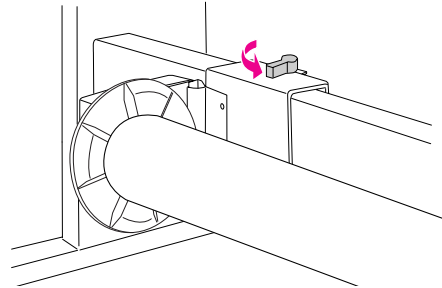
2. Slip one end of the take-up reel core over the flanged knob on the drive unit.



3. Insert the flanged knob on the movable unit into the other end of the take-up reel core.



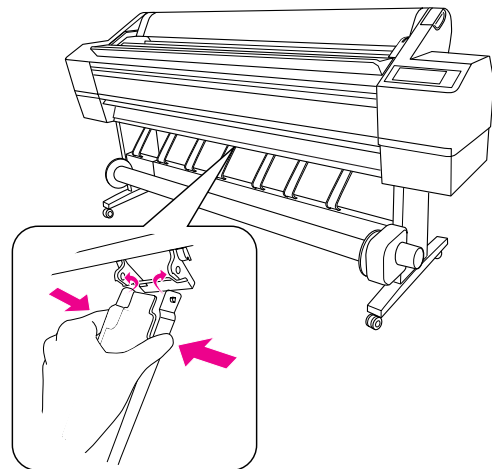
4. Turn the lock lever to the front to lock the movable unit.



Make sure the core is fixed properly.

## Attaching the paper guides

After installing the Auto Take-up Reel Unit, then attach the paper guides.



## Choosing a Place for the Printer

### Instructions for placing the printer

- ❑ Choose a flat and stable location that can support the printer weight (about 150.5 kg).
- ❑ Use only an outlet that meets the power requirements of this printer.
- ❑ Operate the printer under the following conditions:

Temperature: 10 to 35°C

Humidity: 20 to 80% without condensation

Even the conditions above are met, you may not print properly if the environmental conditions are not proper for the paper. Be sure to use the printer where the paper conditions are met. See the instructions of the paper for more detailed information. Keep the printer away from drying, direct sunlight, or heat sources to maintain the appropriate humidity.

- ❑ Leave enough room for easy operation, maintenance, and ventilation. See the next section for detailed information on the space around the printer.

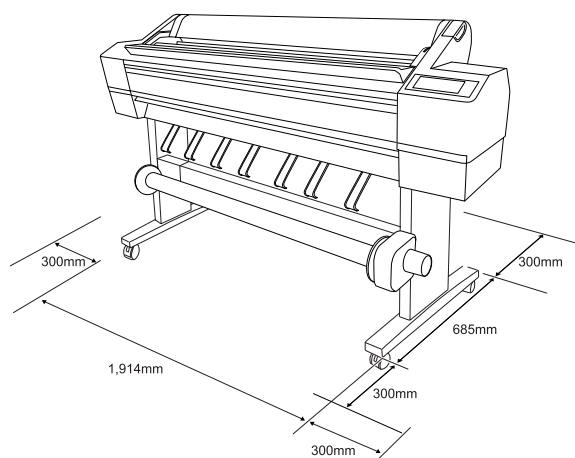


### Warning:

- ❑ Avoid locations that are subject to excessive heat, poor ventilation, or dust; otherwise, it may cause smoke or fire.
- ❑ Avoid locations that are subject to direct sunlight or near air conditioners.
- ❑ Do not block the ventilation openings.
- ❑ Do not place the printer where it is poorly ventilated.
- ❑ Do not place the printer on a carpet or blanket.
- ❑ Do not cover the printer with a cloth, such as a blanket or tablecloth, when using the printer.
- ❑ Leave at least 30 cm between the back of the printer and the wall.
- ❑ Do not place the printer on an unstable location. Bodily injury may occur if it falls.

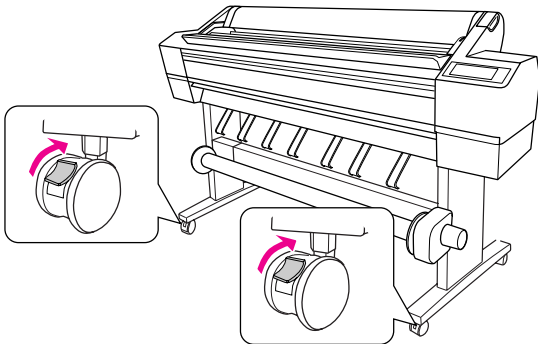
### Spaces around the printer

Leave adequate room for easy operation, maintenance, and ventilation as shown below. (Values in the illustration below are the minimum.)



## Settling the printer

1. Release the front casters.



2. Move the printer to the place of use (a short distance away).

**Note:**

*Unlike those used for material handling equipment such as carts, the casters attached to the printer stand are designed to move the printer a short distance on an indoor flat surface.*

3. Lock the two front casters.  
Place the casters sideways and lock them so they will not move.

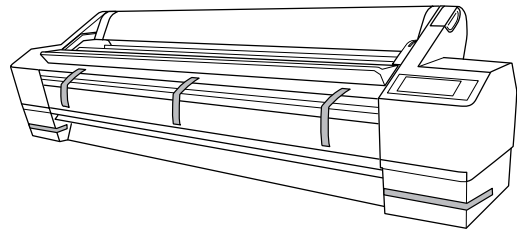
---

## Setting up the Printer

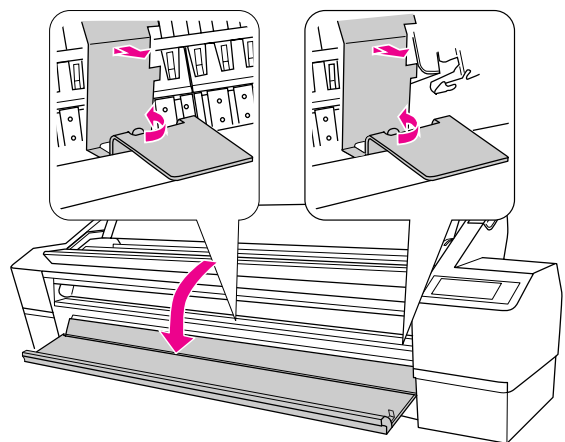
---

### Removing the materials

1. Remove the all protective tapes from the printer and protective materials inside of the ink compartments.



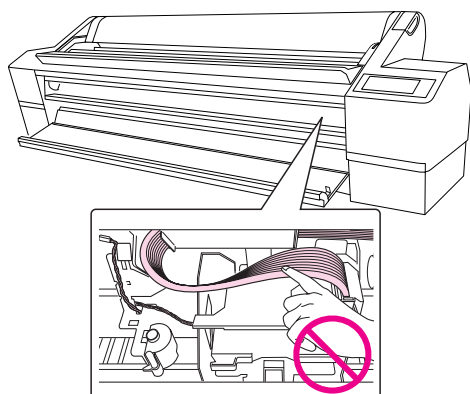
2. Open the front cover. Loosen the screw and remove the two metal plates from the side of the print head compartment.



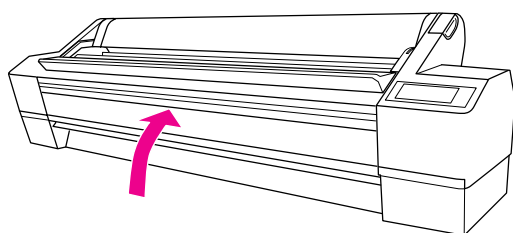
**Note:**

- ❑ Do not re-install the metal plates. Store them for later use.

- ❑ Be careful not to touch the cables around the print head; otherwise, the printer may be damaged.

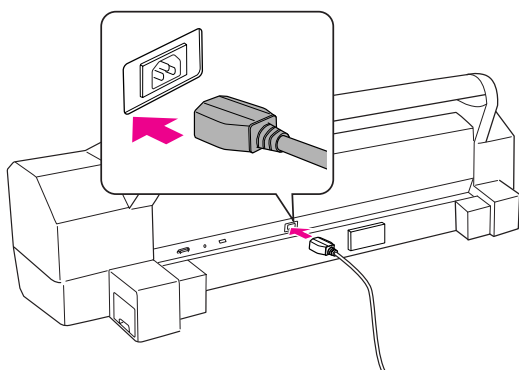


3. Close the front cover.

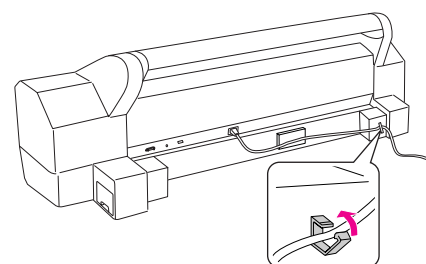
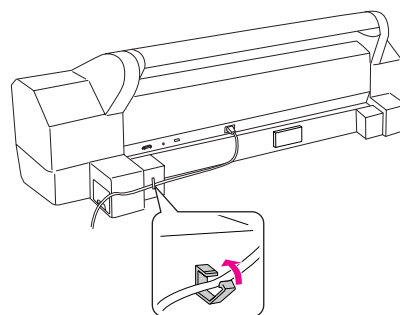


### Connecting the power cord

1. Check the label on the back of the printer to make sure the voltage required by the printer matches that of the wall outlet. Also, make sure that you have the correct power cord for your power source.
2. Connect the power cord to the AC inlet on the back of the printer.



3. Route the power cord through the clamps at the rear of the printer. The cord can be routed to either the left or right side.



4. Plug the power cord into a properly grounded electrical outlet.



#### **Caution:**

Do not use an outlet that is controlled by an automatic timer or wall switch. Otherwise, accidental shut down or damage to your printer may occur.

## Installing the ink cartridges

To install the ink cartridges, follow the instructions below.



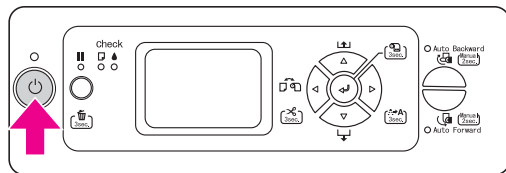
### Warnings:

The ink cartridges are self-contained units. Under ordinary use, ink will not leak from the cartridges. If ink does get on your hands, wash them thoroughly with soap and water. If ink gets into your eyes, flush them immediately with water.

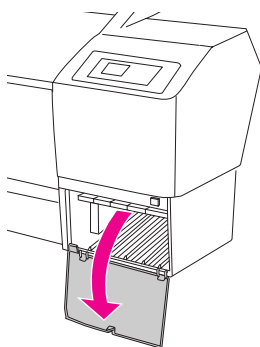
### Note:

The ink cartridges packaged with your printer are partly used during the initial setup. In order to produce high-quality prints, the print head in your printer will be fully charged with ink. This one-off process consumes a quantity of ink and therefore these cartridges print fewer pages compared to subsequent ink cartridges.

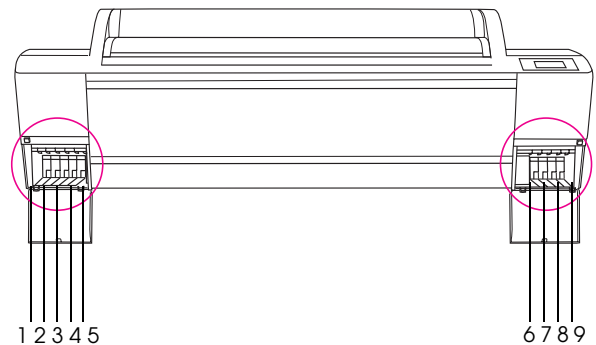
1. Turn on the printer by pressing the Power button.



2. When the light starts flashing and the cover is slightly opened, then open it by hand fully.

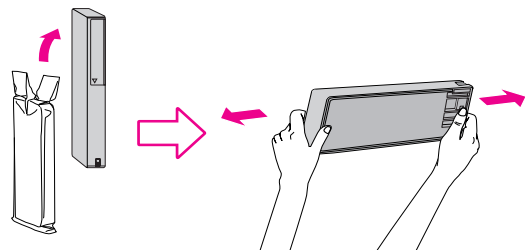


3. Check the ink cartridge and its slot.



Slot No.	Ink color
#1	Vivid Light Magenta
#2	Light Light Black
#3	Matte Black
#4	Light Black
#5	Light Cyan
#6	Cyan
#7	Vivid Magenta
#8	Photo Black
#9	Yellow

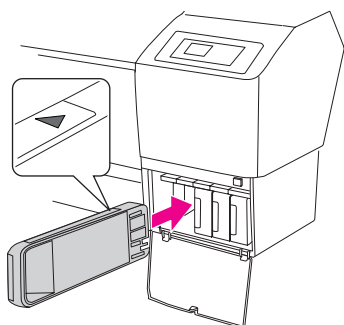
4. Remove the ink cartridge from the package, and shake it for about 5 seconds.



### Caution:

Do not touch the green IC chip on the side of the ink cartridge. Doing so may prevent normal operation and printing.

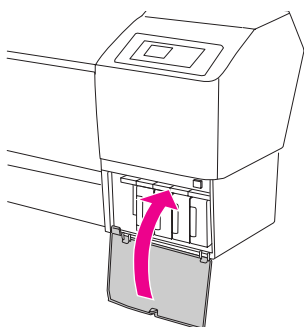
5. Hold the ink cartridge with the arrow mark facing up and pointing to the rear of the printer, and then insert it in the slot as far as it will go until it clicks.



**Note:**

Be sure to install all nine ink cartridges; otherwise, the ink charging does not start.

6. After inserting all ink cartridges in their corresponding slot, close the ink compartment cover.



The printer starts initial ink charging, and the Power light flashes (for about 10 minutes).



**Caution:**

Never do the following while the Power light is flashing; otherwise damage may occur:

- Turn off the printer
- Unplug the power cord
- Open the front cover
- Move the paper lever to the released position
- Open the ink compartment cover
- Remove the maintenance tank

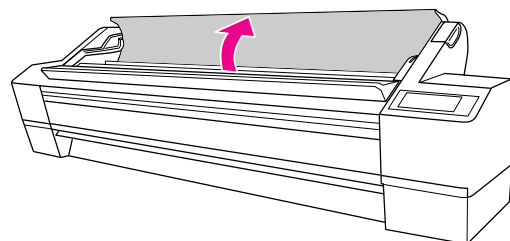
7. PAPER OUT. LOAD PAPER appears on the LCD panel, which indicates initial ink charging is completed.

## Confirming the Printing

### Loading the roll paper

To load the roll paper onto the printer, follow the instructions below.

1. Open the roll paper cover.

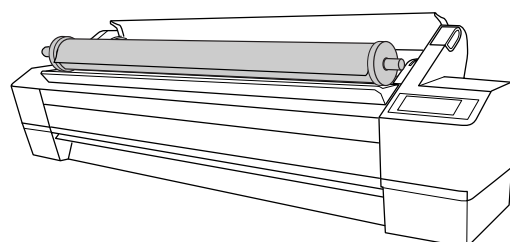


2. With the fixed paper stopper (gray) on the right, pick up the paper roll and place it in the paper roll holder. Then move the paper roll to the right.

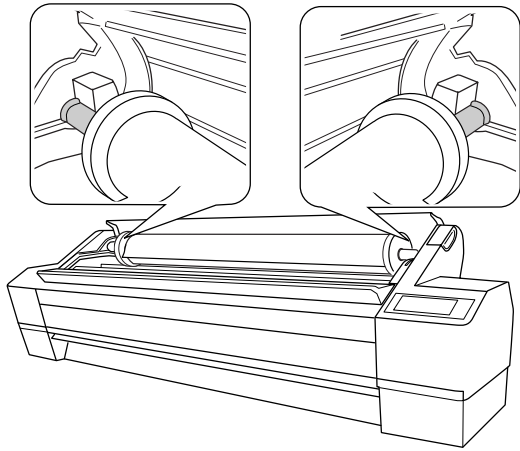
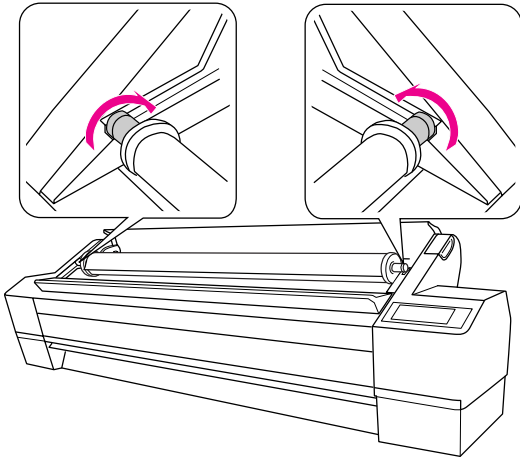


**Warning:**

The paper roll is heavy so have two people pick it up by the paper stoppers at both ends.

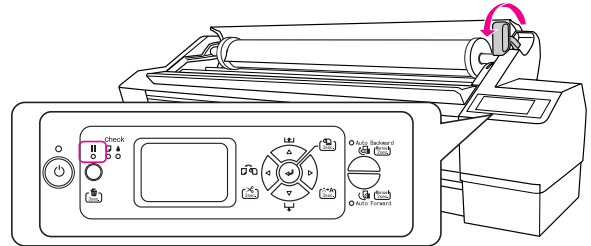


- Aligning it with the rails on both sides, slowly roll the paper roll into place and set it on the mounting brackets inside the printer.



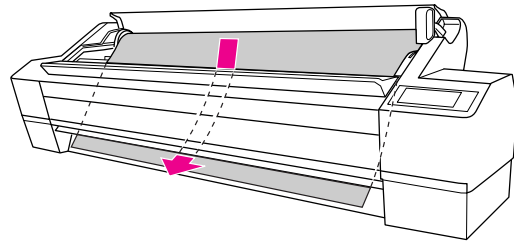
- Make sure that the Pause light is not flashing, and then set the paper lever to the released position.

LEVER RELEASED . LOAD PAPER appears on the LCD panel.

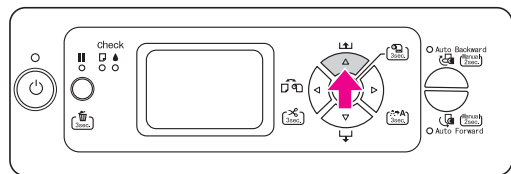


- Insert the paper into the paper insertion slot. Pull the paper down through the paper insertion slot so that it comes out below.

Taking care not to fold the edge of the paper, insert it so that there is no slack.



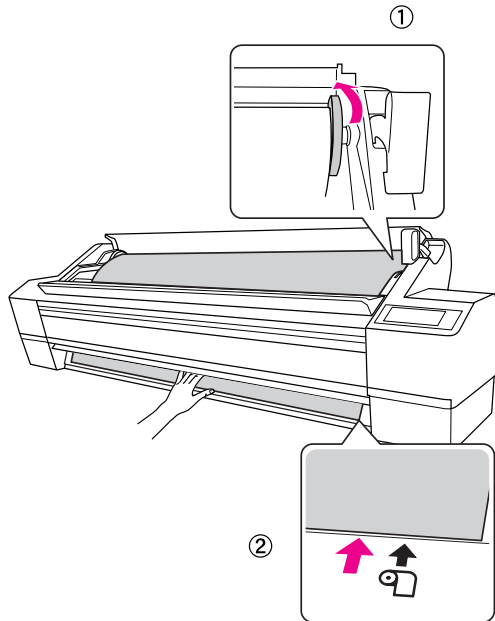
- Adjust the feed strength by pressing the Paper Feed  $\Delta$  button on the control panel.





7. Holding the bottom edge of the paper, turn the roll paper to remove slack. Make sure that the bottom edge of the paper is straight, and that it is aligned with the horizontal line.

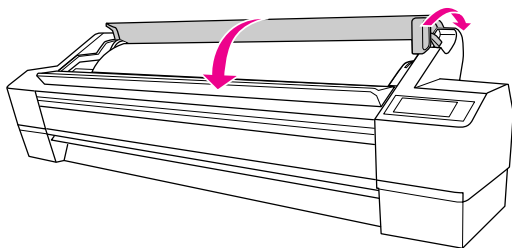
When using thick, heavy, or curled paper, press the Paper Feed  $\Delta$  button to increase the power. When using thin or light paper, press the Paper Feed  $\nabla$  button to decrease the power.



**Note:**

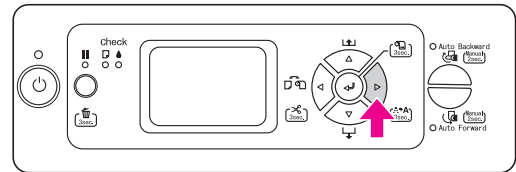
*If the paper is loaded skewed it will not be printed properly. Be sure to align it squarely with the paper setting position.*

8. Set the paper lever to the secured position, and close the roll paper cover.

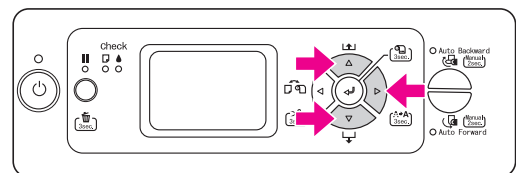


Press the  $\mathbb{I}$  button or wait a while.

9. If DO YOU WANT TO USE THE FOLLOWING PAPER? appears on the LCD panel, press the Menu  $\triangleright$  button to set the media type.

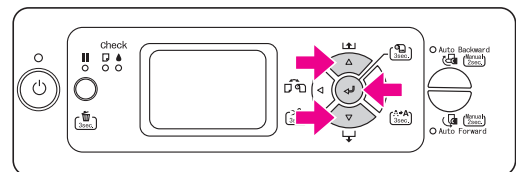


10. Press the Paper Feed  $\Delta$  /  $\nabla$  button to select the media type, and then press the Menu  $\triangleright$  button.



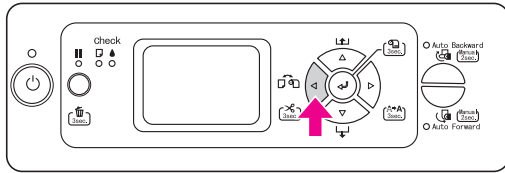
11. Press the Paper Feed  $\Delta$  /  $\nabla$  button to select the media type, and then press the Enter  $\leftarrow$  button.

READY appears on the LCD panel.

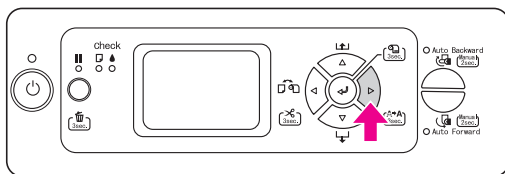


## Printing a status sheet

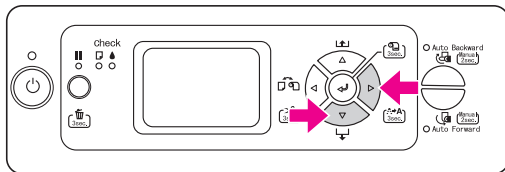
1. Press the Paper Source  $\triangleleft$  button to display Roll Auto Cut On  $\square$ .



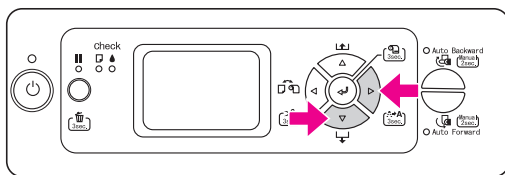
2. Press the Menu  $\triangleright$  button to enter Menu mode.



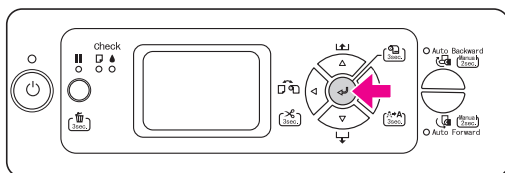
3. Press the Paper Feed  $\nabla$  button to display TEST PRINT, and then press the Menu  $\triangleright$  button.



4. Press the Paper Feed  $\nabla$  button to display STATUS SHEET, and then press the Menu  $\triangleright$  button.



5. Press the Enter  $\leftarrow$  button to print a status sheet.



After printing is finished, follow the message on the LCD panel to return to the READY state.

## Loading the Cut Sheet Media

To load cut sheet media longer than Super A3/B (483 mm), see the next section. To load cut sheet media with a length of Super A3/B (483 mm) or below, see "Loading cut sheet media with a length of Super A3/B (483 mm) or below" on page 18.

If you are printing on thick paper (0.5 to 1.5 mm), see "Printing on thick paper (0.5 to 1.5 mm)" on page 19.

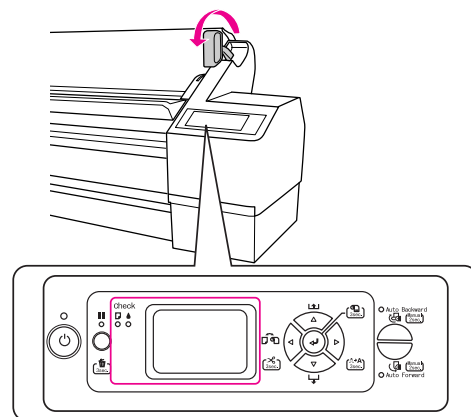
### Note:

When you use paper other than Epson special media, see the instructions included with the paper, or contact your supplier for more information.

## Loading cut sheet media longer than Super A3/B (483 mm)

1. Make sure that the printer is on and the roll paper cover is closed.
2. Press the Paper Source  $\triangleleft$  button repeatedly until Sheet  $\square$  appears.
3. Make sure that the Paper Check light is on, and then set the paper lever to the released position. LEVER RELEASED. LOAD PAPER appears on the LCD panel.

The paper lever may be locked if REMAINING PPR SETUP is set to ON: AT ROLL EXCHANGE. In this case, press and hold the Enter  $\leftarrow$  button for 3 seconds to print the barcode, so you can release the paper lever.

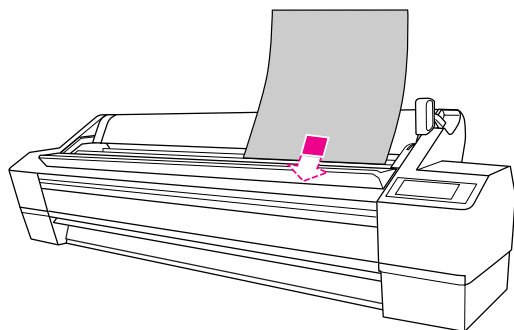




**Caution:**

Do not set the paper lever to the released position while the Power light or Pause light is flashing; otherwise, damage may occur.

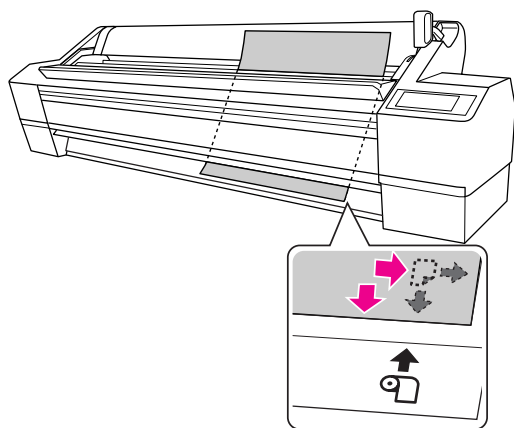
4. Load the sheet into the paper insertion slot until it comes out below.



**Note:**


Load the sheet vertically, like most magazines.

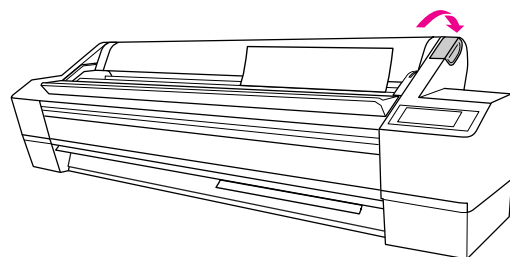
5. Make sure that the right and bottom edges of the sheet are straight and in line with the horizontal line and the vertical line.






**Note:**

- ❑ Align the paper correctly with the vertical and horizontal setting positions. If the leading edge of the paper extends beyond the paper setting position or is short of it, it will cause an error.
- ❑ If the leading edge of the paper will not come out from under the front cover, open the front cover and feed the paper downwards.

6. Set the paper lever to the secured position. Press the  button or wait a while.



7. If **DO YOU WANT TO USE THE FOLLOWING PAPER?** appears on the LCD panel, press the Menu  button to select the media, and then press the Enter  button to set the media.

The previous setting appears on the LCD panel. If the media type is correct, press the Paper Source  button.

Now the printer is ready to print. While the printer is printing, do not open the front cover. If the front cover is opened while printing is in progress, the printer stops printing, and then restarts printing when the front cover is closed. Stopping and restarting printing may reduce the print quality.

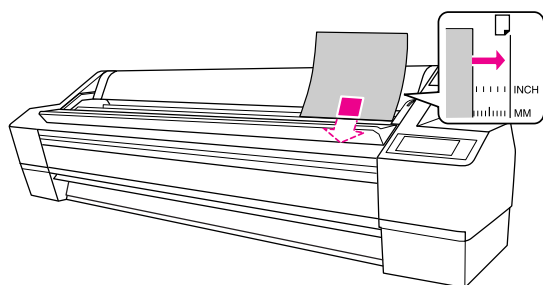
**Note:**

Do not leave the paper in the printer for a long period of time; its quality will deteriorate. We recommend that you remove the paper from the printer after printing.

## Loading cut sheet media with a length of Super A3/B (483 mm) or below

1. Make sure that the printer is on and the roll paper cover is closed.
2. Press the Paper Source ◀ button repeatedly until Sheet □ appears.
3. Make sure that the paper lever is in the secured position, and then load the sheet into the paper insertion slot until it meets resistance.

Make sure that the right edge of the paper is straight and in line with the right edge of the scale on the roll paper cover. **PRESS THE ■■ BUTTON** appears on the LCD panel.



### Note:

Load the sheet vertically, like most magazines.

4. Press the Pause ■■ button.

The print heads move and the sheet feeds into the printing position automatically.

5. If **DO YOU WANT TO USE THE FOLLOWING PAPER?** appears on the LCD panel, press the Menu ▶ button to select the media, and then press the Enter ↵ button to set the media.

The previous setting appears on the LCD panel. If the media type is correct, press the Paper Source ◀ button.

Now the printer is ready to print. While the printer is printing, do not open the front cover. If the front cover is opened while printing is in progress, the printer stops printing, and then restarts printing when the front cover is closed. Stopping and restarting printing may reduce the print quality.

When printing is complete, the printer supports the printed media, and **PAPER OUT. LOAD PAPER** is displayed on the LCD panel. To remove the paper, press the Paper Feed ▼ button and then release the paper lever while holding the paper. The paper can be removed from the printer.

### Note:


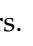
Do not leave the paper in the printer for a long period of time; its quality will deteriorate. We recommend that you remove the paper from the printer after printing.

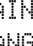
## Printing on thick paper (0.5 to 1.5 mm)

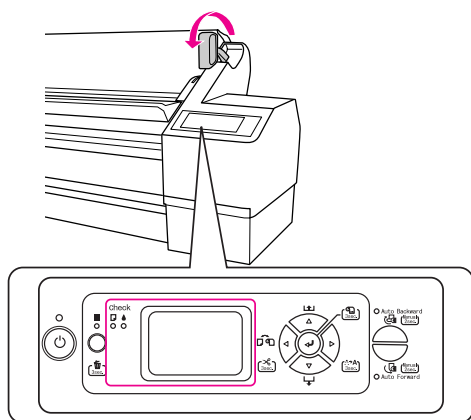
When you load thick cut sheets (0.5 to 1.5 mm), such as cardboard, follow the steps below.

### Note:

Do not load thick paper (0.5 to 1.5 mm) longer than 728 mm; otherwise, paper jams may occur.

1. Make sure that the printer is on and the roll paper cover is closed.
2. Press the Paper Source  button repeatedly until Sheet  appears.
3. Make sure that the Paper Check light is on, and then set the paper lever to the released position. LEVER RELEASED. LOAD PAPER appears on the LCD panel.

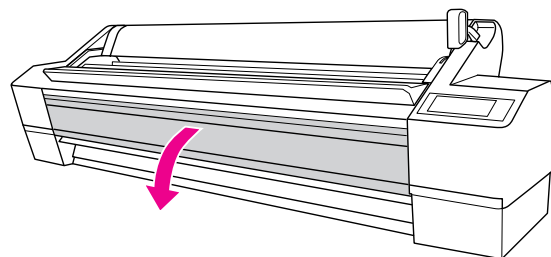
The paper lever may be locked if REMAINING PPR SETUP is set to ON: AT ROLL EXCHANGE. In this case, press and hold the Enter  button for 3 seconds to print the barcode, so you can release the paper lever.



### Caution:

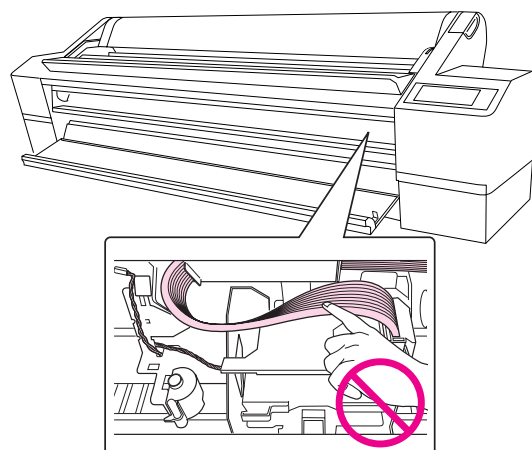
Do not set the paper lever to the released position while the Power light or Pause light is flashing; otherwise, damage may occur.

4. Open the front cover.



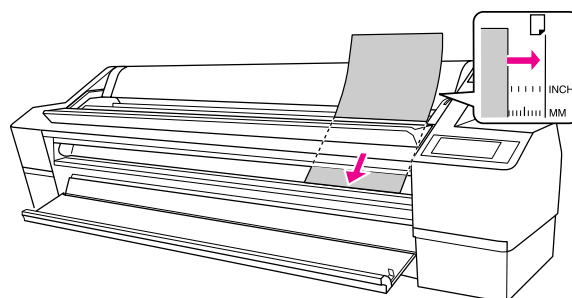
### Caution:

Be careful not to touch the cables around the print head; otherwise, the printer may be damaged.



5. Load the sheet into the paper insertion slot so that the bottom edge of the paper rests behind the open front cover.

Make sure that the right and bottom edges of the sheet are straight and in line with the vertical line.

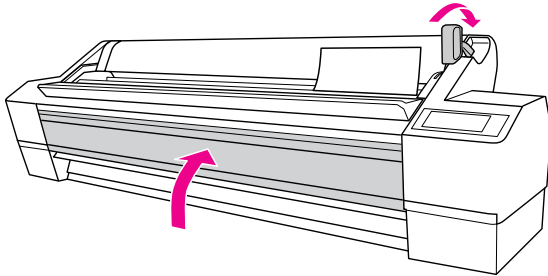


### Note:

Load the sheet vertically, like most magazines.

- Set the paper lever to the secured position, and then close the front cover.

Press the **■** button or wait a while.



- If **DO YOU WANT TO USE THE FOLLOWING PAPER?** appears on the LCD panel, press the Menu **▷** button to select the media, and then press the Enter **↵** button to set the media.

The previous setting appears on the LCD panel. If the media type is correct, press the Paper Source **◀** button.

**Note:**

*Do not leave the paper in the printer for a long period of time; its quality will deteriorate. We recommend that you remove the paper from the printer after printing.*

---

## Connecting the Printer with Your Computer

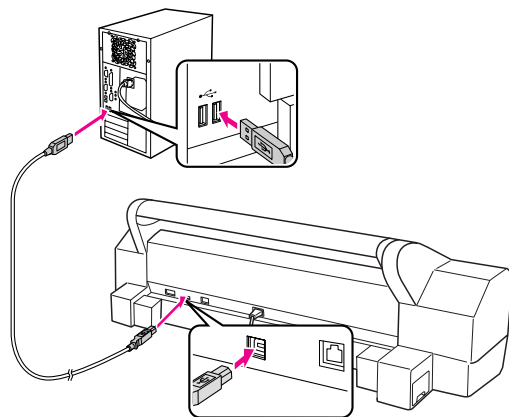
---

Connect the printer and computer with a USB cable or Ethernet cable. Use the following cables.

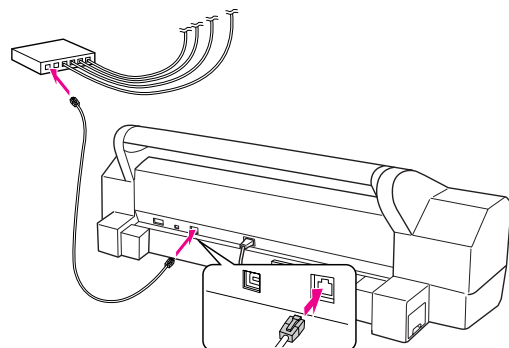
- ❑ USB cable
- ❑ 100BaseTX or 1000BaseT Category 6 Shielded twisted-pair cable

- Make sure the printer is turned off.
- Connect the cable to the printer, and plug the other end of the USB cable to the computer or the other end of the Ethernet cable to the Ethernet hub.

USB connection:



Network connection:



**Note:**

*When you connect both USB cable and Ethernet cable, install the printer software from each computer separately. You can connect both USB cable and Ethernet cable to the printer at the same time.*

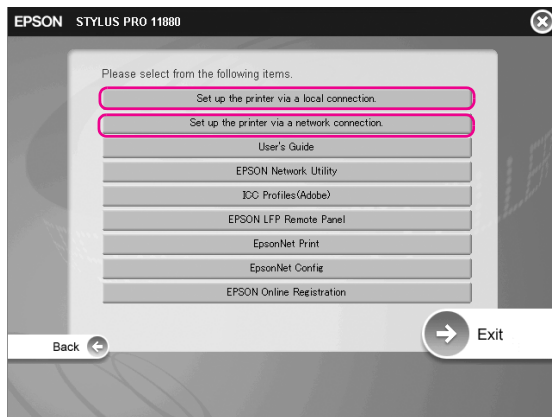
## Installing the Printer Driver and Software

After connecting the printer to your computer, you need to install the software included on the Printer Software CD-ROM shipped with your printer. To install your printer software, follow the steps below.

### Note:

Be sure that you have an administrator rights to install the software.

1. Insert the Printer Software CD-ROM shipped with your printer in the CD-ROM drive.
2. When the following dialog box appears, install the printer driver according to your connection. Select Set up the printer via a local connection when the printer is connected to the computer directly or Set up the printer via a network connection when the printer is connected to the network. Follow the on-screen instructions.



### Note:

If the following dialog box appears, make sure the publisher is SEIKO EPSON, and then click Unlock.

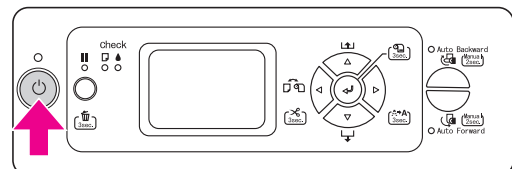


3. If you want to install other printer software, select it from the dialog box in step 2.

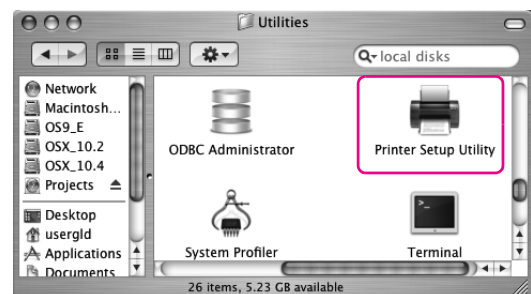
## Adding the printer for Mac OS X

After you have installed the printer software on your computer, you need to select your printer. You must select a printer the first time you use it or whenever you want to switch to another printer. Your computer will always print using the last printer selected.

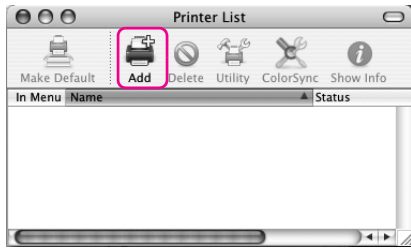
1. Turn on the printer.



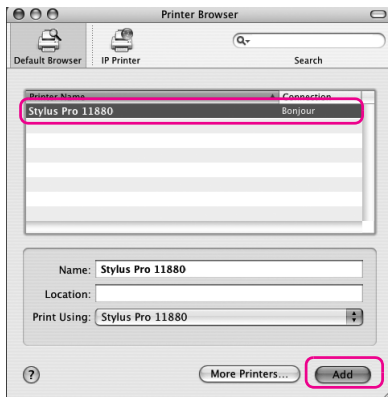
2. Double-click the Applications folder, and then double-click the Utilities folder. Double-click Print Center (for Mac OS X 10.2.x) or Printer Setup Utility (for Mac OS X 10.3.x or later).



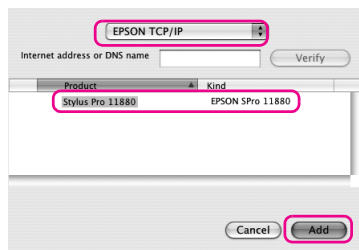
3. Click Add.



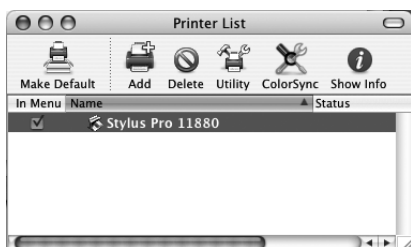
4. Select your printer, and then click Add.



If your printer does not appear in the list, click More Printers, and select a connection, such as EPSON TCP/IP. Select your printer from the list, and then click Add.



5. Make sure the Printer List contains the printer you just added. Then, close the Printer List dialog.



## Aligning the Print Head

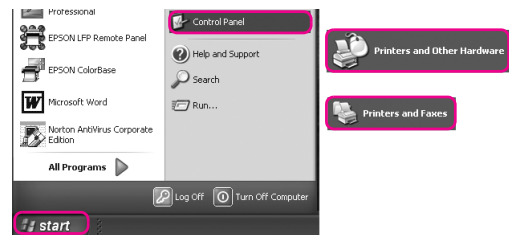
You need to perform Print Head Alignment before you start printing your data. This prevents deterioration of print quality caused by misalignment of the print head. Print Head Alignment improves the print quality of your printed data.

### For Windows

1. Open the Printers and Faxes or Printers folder.

Windows XP:

Click Start, click Control Panel, click Printers and Other Hardware, and then click Printers and Faxes.



**Note:**

If your Control Panel is the Classic View, click Start, click Control Panel, and then click Printers and Faxes.

Windows Vista:

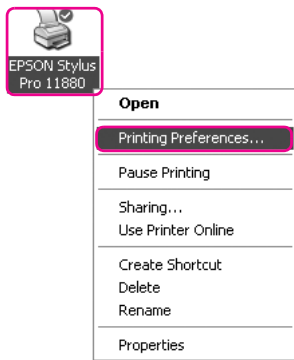
Click Start, click Control Panel, click Hardware and Sound, and then click Printers.

Windows 2000:

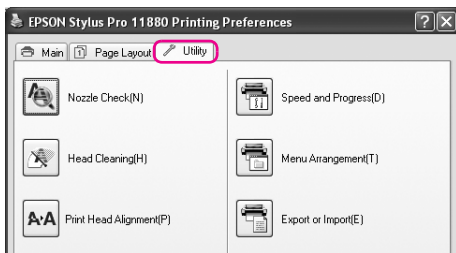
Click Start, point to Settings, and then select Printers.



- Right-click your printer icon, and click Printing Preferences.



- Click the Utility tab.

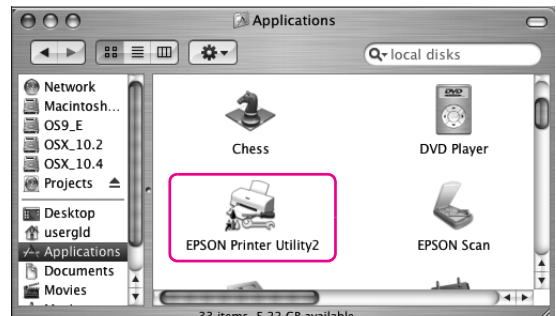


- Select Print Head Alignment. Follow the on-screen instructions to complete the print head alignment.

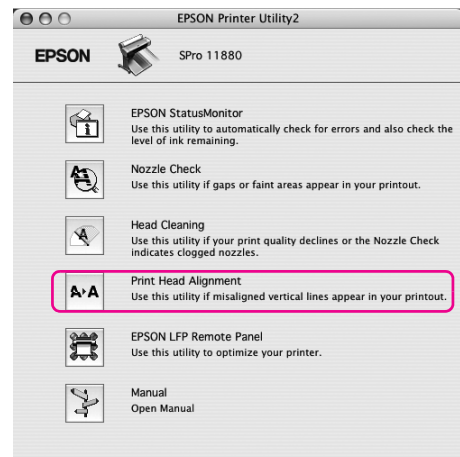


## For Mac OS X

- Double-click the Applications folder, and then double-click the EPSON Printer Utility2 icon.



- If the printer list appears, select the printer and then click OK.
- Select Print Head Alignment. Follow the on-screen instructions to complete the print head alignment.



---

## ***Using the Online User's Guide***

---

### ***What to do Next***

After completing the hardware setup and the driver installation, see the *User's Guide* for detailed information on your printer's functions, maintenance, troubleshooting, technical specifications, and optional products.

### ***Using the Online User's Guide***

It contains detailed instructions on using the printer, and information on using the optional products.

To view the *User's Guide*, double-click the EPSON Stylus Pro 11880\_11880C Manual icon on the desktop.

On Windows, you can also access the *User's Guide* via the Start menu. Click Start, point to All Programs on Windows XP/Vista or Programs on Windows 2000. Select EPSON, and then select EPSON Stylus Pro 11880\_11880C Manual.

***Note:***

*To read the online guide, you must have Adobe Acrobat Reader 5.0 or later, or Adobe Reader, installed on your computer.*



**EPSON**  
EXCEED YOUR VISION