



Epson AcuLaser C3900 Series

Guía del usuario

NPD4278-02 ES

Aviso sobre derechos de autor

No se permite la reproducción, el almacenamiento en un sistema de datos, ni la transmisión en ninguna de sus formas, ni por cualquier medio, ya sea electrónico, mecánico, fotocopiado, grabación, o cualquier otro, de ninguna parte de esta publicación sin permiso por escrito de Seiko Epson Corporation. No se asume ninguna responsabilidad por patentes con respecto a la utilización de la información contenida aquí. Tampoco se asume ninguna responsabilidad por daños resultantes de la utilización de la información contenida aquí.

Tampoco Seiko Epson Corporation ni sus afiliados serán responsables ante el comprador de este producto ni ante terceras partes por los daños, pérdidas, costes, o gastos que incurran en el comprador o terceras partes como resultado de: accidente, mal uso, o abuso de este producto, o modificaciones, reparaciones, o alteraciones no autorizadas en este producto, o (excluyendo los EE.UU.) el fallo en cumplir estrictamente las instrucciones de operación y mantenimiento de Seiko Epson Corporation.

Tampoco Seiko Epson Corporation ni sus afiliados serán responsables por los daños y problemas que surjan de la utilización de cualquier opción o producto de consumo que no sean los designados como Productos originales de Epson o Productos aprobados por Seiko Epson Corporation.

EPSON es marca comercial registrada y Epson AcuLaser es marca comercial o marca comercial registrada de Seiko Epson Corporation.

Acuerdo de licencia de software

Este paquete contiene los materiales siguientes proporcionados por Seiko Epson Corporation (Epson): software incluido como parte del sistema de impresión (“Software de impresión”), los datos de perfil legibles por máquina codificados digitalmente en formato especial y cifrados (“Programas de fuentes”), y demás software que se ejecuta en un sistema de ordenador para utilizar en conjunción con el Software de impresión (“Software host”), y los materiales escritos explicativos relacionados (“Documentación”). El término “Software” se utilizará para describir el Software de impresión, los Programas de fuentes y/o el Software host, e incluye también cualquier actualización, versión modificada, adición, y copia del Software.

Usted obtiene la licencia del Software bajo los términos de este acuerdo.

Toshiba le concede una licencia no exclusiva para utilizar el Software y la Documentación, suponiendo que esté de acuerdo con lo siguiente:

1. Podrá utilizar el Software y los Programas de fuentes que lo acompañan para gestión de imágenes con el (los) dispositivo(s) de salida con licencia, únicamente para sus propios fines empresariales internos.
2. Además de la licencia para los Programas de fuentes expuestos en la Sección 1 anterior, podrá utilizar Programas de fuentes Roman para reproducir pesos, estilos y versiones de letras, números caracteres, y símbolos (“Tipos de letra”) en la pantalla o monitor para sus propios fines empresariales internos.

3. Usted podrá hacer una copia de seguridad del Software host, mientras esta copia no se instale ni utilice en ningún otro ordenador. A pasar de todas las restricciones anteriores, podrá instalar el Software host en cualquier número de ordenadores únicamente para utilizarlo con uno o más sistemas de impresión que ejecuten el Software de impresión.
4. Podrá asignar sus derechos bajo este Acuerdo a un cesionario (“Beneficiario”) de todos los derechos e intereses de la Licencia relacionados con el Software y la Documentación siempre y cuando transfiera al Beneficiario todas las copias de tal Software y Documentación. El Beneficiario estará obligado a cumplir todos los términos y condiciones de este Acuerdo.
5. Acuerda no modificar, adaptar, ni traducir el Software y la Documentación.
6. Está de acuerdo en no intentar alterar, desensamblar, descifrar, invertir la ingeniería, ni descompilar el Software.
7. El titular y propietario del Software y la Documentación, y de cualquier reproducción posterior, permanecerá siendo Epson y su concedente de licencia.
8. Las marcas comerciales se utilizarán de acuerdo con la práctica de marcas comerciales aceptada, incluyendo la identificación del nombre del propietario de la marca comercial. Las marcas comerciales solamente podrán utilizarse para identificar documentos impresos producidos por el Software. Tal uso de cualquier marca registrada no le da ningún derecho a la propiedad de tales marcas comerciales.
9. No podrá alquilar, arrendar, sublicenciar, prestar, ni transferir versiones ni copias del Licenciario del Software que no utilice, ni del Software contenido en ningún medio no utilizado, excepto como parte de la transferencia permanente de todo el Software y Documentación como se ha descrito arriba.
10. EPSON O SU CONCEDENTE DE LICENCIA NO SE HARÁN RESPONSABLES POR NINGÚN DAÑO RESULTANTE, INCIDENTAL, INDIRECTO, PUNITIVO, NI ESPECIAL, INCLUYENDO CUALQUIER PÉRDIDA DE BENEFICIOS O AHORROS, INCLUSO AUNQUE EPSON HAYA AVISADO SOBRE LA POSIBILIDAD DE TALES DAÑOS, NI POR NINGUNA QUEJA DE TERCEROS. EPSON O SU CONCEDENTE DE LICENCIA NO OFRECE NINGÚN TIPO DE GARANTÍA CON RESPECTO AL SOFTWARE, YA SEA EXPLÍCITA O IMPLÍCITA, SIN LIMITACIÓN DE GARANTÍAS RELACIONADAS CON LA COMERCIALIZACIÓN, POSIBILIDADES MERCANTILES, IDONEIDAD PARA UN FIN PARTICULAR, TÍTULO Y NO CONTRAVENCIÓN DE LOS DERECHOS DE TERCEROS. ALGUNOS ESTADOS O JURISDICIONES NO PERMITEN LA EXCLUSIÓN O LIMITACIÓN DE DAÑOS INCIDENTALES, RESULTANTES, O ESPECIALES, POR LO QUE LAS LIMITACIONES DE ARRIBA PUEDEN NO SER APLICABLES EN SU CASO.

11. Aviso a los usuarios finales del Gobierno: El software es un “artículo comercial,” como este término se identifica en 48 C.F.R.2.101, compuesto por “software comercial para ordenadores” y “documentación de software comercial para ordenadores”, como tales términos se utilizan en 48 C.F.R. 12.212. De acuerdo con 48 C.F.R. 12.212 y 48 C.F.R. 227.7202-1 a 227.7202-4, todos los usuarios finales del Gobierno de los EE.UU. adquieren el Software con los únicos derechos aquí establecidos.
12. Está de acuerdo en no exportar el Software en ninguna forma que pueda violar las leyes y regulaciones aplicables en relación con el control de exportación a cualquier país.

About Adobe Color Profile

ADOBE SYSTEMS INCORPORATED COLOR PROFILE LICENSE AGREEMENT

NOTICE TO USER: PLEASE READ THIS CONTRACT CAREFULLY. BY USING ALL OR ANY PORTION OF THE SOFTWARE YOU ACCEPT ALL THE TERMS AND CONDITIONS OF THIS SOFTWARE YOU ACCEPT ALL THE TERMS AND CONDITIONS OF THIS AGREEMENT. IF YOU DO NOT AGREE WITH THE TERMS OF THIS AGREEMENT, DO NOT USE THE SOFTWARE.

1. **DEFINITIONS** In this Agreement, “Adobe” means Adobe Systems Incorporated, a Delaware corporation, located at 345 Park Avenue, San Jose, California 95110. “Software” means the software and related items with which this Agreement is provided.
2. **LICENSE** Subject to the terms of this Agreement, Adobe hereby grants you the worldwide, non-exclusive, nontransferable, royalty-free license to use, reproduce and publicly display the Software. Adobe also grants you the rights to distribute the Software only (a) as embedded within digital image files and (b) on a standalone basis. No other distribution of the Software is allowed; including, without limitation, distribution of the Software when incorporated into or bundled with any application software. All individual profiles must be referenced by their ICC Profile description string. You may not modify the Software. Adobe is under no obligation to provide any support under this Agreement, including upgrades or future versions of the Software or other items. No title to the intellectual property in the Software is transferred to you under the terms of this Agreement. You do not acquire any rights to the Software except as expressly set forth in this Agreement.

3. **DISTRIBUTION** If you choose to distribute the Software, you do so with the understanding that you agree to defend, indemnify and hold harmless Adobe against any losses, damages or costs arising from any claims, lawsuits or other legal actions arising out of such distribution, including without limitation, your failure to comply with this Section 3. If you distribute the Software on a standalone basis, you will do so under the terms of this Agreement or your own license agreement which (a) complies with the terms and conditions of this Agreement; (b) effectively disclaims all warranties and conditions, express or implied, on behalf of Adobe; (c) effectively excludes all liability for damages on behalf of Adobe; (d) states that any provisions that differ from this Agreement are offered by you alone and not Adobe and (e) states that the Software is available from you or Adobe and informs licensees how to obtain it in a reasonable manner on or through a medium customarily used for software exchange. Any distributed Software will include the Adobe copyright notices as included in the Software provided to you by Adobe.

4. **DISCLAIMER OF WARRANTY** Adobe licenses the Software to you on an “AS IS” basis. Adobe makes no representation as to the adequacy of the Software for any particular purpose or to produce any particular result. Adobe shall not be liable for loss or damage arising out of this Agreement or from the distribution or use of the Software or any other materials. **ADOBE AND ITS SUPPLIERS DO NOT AND CANNOT WARRANT THE PERFORMANCE OR RESULTS YOU MAY OBTAIN BY USING THE SOFTWARE, EXCEPT FOR ANY WARRANTY, CONDITION, REPRESENTATION OR TERM TO THE EXTENT TO WHICH THE SAME CANNOT OR MAY NOT BE EXCLUDED OR LIMITED BY LAW APPLICABLE TO YOU IN YOUR JURISDICTION, ADOBE AND ITS SUPPLIERS MAKE NO WARRANTIES, CONDITIONS, REPRESENTATIONS OR TERMS, EXPRESS OR IMPLIED, WHETHER BY STATUTE, COMMON LAW, CUSTOM, USAGE OR OTHERWISE AS TO ANY OTHER MATTERS, INCLUDING BUT NOT LIMITED TO NON-INFRINGEMENT OF THIRD PARTY RIGHTS, INTEGRATION, SATISFACTORY QUALITY OR FITNESS FOR ANY PARTICULAR PURPOSE. YOU MAY HAVE ADDITIONAL RIGHTS WHICH VARY FROM JURISDICTION TO JURISDICTION.** The provisions of Sections 4, 5 and 6 shall survive the termination of this Agreement, howsoever caused, but this shall not imply or create any continued right to use the Software after termination of this Agreement.

5. **LIMITATION OF LIABILITY IN NO EVENT WILL ADOBE OR ITS SUPPLIERS BE LIABLE TO YOU FOR ANY DAMAGES, CLAIMS OR COSTS WHATSOEVER OR ANY CONSEQUENTIAL, INDIRECT, INCIDENTAL DAMAGES, OR ANY LOST PROFITS OR LOST SAVINGS, EVEN IF AN ADOBE REPRESENTATIVE HAS BEEN ADVISED OF THE POSSIBILITY OF SUCH LOSS, DAMAGES, CLAIMS OR COSTS OR FOR ANY CLAIM BY ANY THIRD PARTY. THE FOREGOING LIMITATIONS AND EXCLUSIONS APPLY TO THE EXTENT PERMITTED BY APPLICABLE LAW IN YOUR JURISDICTION. ADOBE'S AGGREGATE LIABILITY AND THAT OF ITS SUPPLIERS UNDER OR IN CONNECTION WITH THIS AGREEMENT SHALL BE LIMITED TO THE AMOUNT PAID FOR THE SOFTWARE.** Nothing contained in this Agreement limits Adobe's liability to you in the event of death or personal injury resulting from Adobe's negligence or for the tort of deceit (fraud). Adobe is acting on behalf of its suppliers for the purpose of disclaiming, excluding and/or limiting obligations, warranties and liability as provided in this Agreement, but in no other respects and for no other purpose.
6. **TRADEMARKS** Adobe and the Adobe logo are the registered trademarks or trademarks of Adobe in the United States and other countries. With the exception of referential use, you will not use such trademarks or any other Adobe trademark or logo without separate prior written permission granted by Adobe.
7. **TERM** This Agreement is effective until terminated. Adobe has the right to terminate this Agreement immediately if you fail to comply with any term hereof. Upon any such termination, you must return to Adobe all full and partial copies of the Software in your possession or control.
8. **GOVERNMENT REGULATIONS** If any part of the Software is identified as an export controlled item under the United States Export Administration Act or any other export law, restriction or regulation (the "Export Laws"), you represent and warrant that you are not a citizen, or otherwise located within, an embargoed nation (including without limitation Iran, Iraq, Syria, Sudan, Libya, Cuba, North Korea, and Serbia) and that you are not otherwise prohibited under the Export Laws from receiving the Software. All rights to use the Software are granted on condition that such rights are forfeited if you fail to comply with the terms of this Agreement.
9. **GOVERNING LAW** This Agreement will be governed by and construed in accordance with the substantive laws in force in the State of California as such laws are applied to agreements entered into and to be performed entirely within California between California residents. This Agreement will not be governed by the conflict of law rules of any jurisdiction or the United Nations Convention on Contracts for the International Sale of Goods, the application of which is expressly excluded. All disputes arising out of, under or related to this Agreement will be brought exclusively in the state Santa Clara County, California, USA.

10. GENERAL You may not assign your rights or obligations granted under this Agreement without the prior written consent of Adobe. None of the provisions of this Agreement shall be deemed to have been waived by any act or acquiescence on the part of Adobe, its agents, or employees, but only by an instrument in writing signed by an authorized signatory of Adobe. When conflicting language exists between this Agreement and any other agreement included in the Software, the terms of such included agreement shall apply. If either you or Adobe employs attorneys to enforce any rights arising out of or relating to this Agreement, the prevailing party shall be entitled to recover reasonable attorneys' fees. You acknowledge that you have read this Agreement, understand it, and that it is the complete and exclusive statement of your agreement with Adobe which supersedes any prior agreement, oral or written, between Adobe and you with respect to the licensing to you of the Software. No variation of the terms of this Agreement will be enforceable against Adobe unless Adobe gives its express consent, in writing, signed by an authorized signatory of Adobe.

ICC Profile for TOYO INK Standard Color on Coated paper (TOYO Offset Coated 3.0)

This ICC Profile (TOYO Offset Coated 3.0) characterizes Japanese offset press on Coated paper and is fully compatible with ICC profile format.

About "TOYO INK Standard Color on Coated paper"

This is the standard for color reproduction of sheet-fed offset press on Coated paper made by TOYO INK MFG.CO., LTD. ("TOYO INK").

This standard is made from printing test with using TOYO INK's sheet-fed offset printing inks and TOYO INK's own printing conditions.

"TOYO INK Standard Color on Coated paper" is compatible with "JAPAN COLOR".

Agreement

1. The reproduction of images on a printed material or a monitor using this ICC Profile do not always match the TOYO INK Standard Color on Coated paper.
2. In no event will TOYO INK, its directors, officers, employees or agents be liable to you for any damages whether direct or indirect or, consequential or incidental (including damages for loss of business profits, business interruption, loss of business information, and the like) arising out of the use or inability to use this ICC Profile.
3. Any and all copyrights of this ICC Profile shall remain in TOYO INK; therefore you shall not transfer, provide, rent, distribute, disclose, or grant any rights in this ICC Profile to any third party without the prior written consent of TOYO INK.

4. TOYO INK shall not be responsible for answering any questions related to this ICC Profile.
5. All company names and product names used in this document are the trademarks or registered trademarks of their respective holder.
6. This ICC Profile is made by X-Rite ProfileMaker and granted TOYO INK certain license to distribute by X-Rite, Inc..

TOYO Offset Coated 3.0 © TOYO INK MFG. CO., LTD. 2010

DIC STANDARD COLOR PROFILE LICENSE AGREEMENT

IMPORTANT: PLEASE READ THIS STANDARD COLOR PROFILE LICENSE AGREEMENT (“LICENSE AGREEMENT”) CAREFULLY BEFORE USING THE DIC STANDARD COLOR PROFILE, INCLUDING THE DIC STANDARD SFC_AM2.0, DIC STANDARD SFM_AM2.0, DIC STANDARD SFU_AM2.0, DIC STANDARD SFC_FM2.0, DIC WAKIMIZU SFC_AM2.0, DIC WAKIMIZU SFC_FM2.0, DIC ABILIO SFC_AM1.0, DIC HY-BRYTE SFC_AM1.0, DIC STANDARD WEBC_AM2.1, DIC STANDARD WEBC_FM2.1, DIC NEWSCOLOR_AM1.0, DIC NEWSCOLOR_FM1.0, PROVIDED BY DIC HEREWITH, AND ANY CORRESPONDING ONLINE OR ELECTRONIC DOCUMENTATION AND ALL UPDATES OR UPGRADES OF THE ABOVE THAT ARE PROVIDED TO YOU (COLLECTIVELY, THE “PROFILE”).

THIS LICENSE AGREEMENT IS A LEGAL AGREEMENT BETWEEN YOU (EITHER AN INDIVIDUAL OR, IF ACQUIRED BY OR FOR AN ENTITY, AN ENTITY) AND DIC CORPORATION, A JAPANESE COMPANY (“DIC”). THIS LICENSE AGREEMENT PROVIDES A LICENSE TO USE THE PROFILE AND CONTAINS WARRANTY INFORMATION AND LIABILITY DISCLAIMERS. IF YOU DO NOT AGREE TO BE BOUND BY ALL OF THESE TERMS, YOU MAY NOT USE THE PROFILE.

1. License Grant

DIC grants you a gratis non-exclusive and non-transferable license to use the Profile and to allow your employees and authorized agents, if any, to use the Profile, solely in connection with their work for you, subject to all of the limitations and restrictions in this License Agreement.

2. Ownership

The foregoing license gives you limited license to use the Profile. You will own the rights in the media containing the recorded Profile, but DIC retains all right, title and interest, including all copyright and intellectual property rights, in and to, the Profile and all copies thereof. All rights not specifically granted in this License Agreement, including all copyrights, are reserved by DIC.

3. Term
 - a. This License Agreement is effective until terminated.
 - b. You may terminate this License Agreement by notifying DIC in writing of your intention to terminate this License Agreement and by destroying, all copies of the Profile in your possession or control.
 - c. DIC may terminate this License Agreement without prior notice to you if you fail to comply with any of the terms and conditions of this License Agreement (either directly or through your employees or agents), retroactive to the time of such failure to comply. In such event, you must immediately stop using the Profile and destroy all copies of the Profile in your possession or control.
 - d. All provisions in this License Agreement relating to warranty disclaimers (Section 5) and the limitation of liability (Section 6) shall survive any termination of this License Agreement.

4. License Method and Restrictions
 - a. You may install and use the Profile on a single desktop computer; provided, however, that, notwithstanding anything contrary contained herein, you may not use the Profile on any network system or share, install or use the Profile concurrently on different computers, or electronically transfer the Profile from one computer to another or over a network.
 - b. You may not make or distribute copies, fix, alter, merge, modify, adapt, sublicense, transfer, sell, rent, lease, gift or distribute all or a portion of the Profile, or modify the Profile or create derivative works based upon the Profile.
 - c. You acknowledge that the Profile is not intended for any usage which may cause death or physical injury or environmental damage and agree not to use the Profile for such usage.
 - d. You shall not use the Profile to develop any software or other technology having the same primary function as the Profile, including but not limited to using the Profile in any development or test procedure that seeks to develop like software or other technology, or to determine if such software or other technology performs in a similar manner as the Profile.
 - e. DIC and other trademarks contained in the Profile are trademarks or registered trademarks of DIC in Japan and/or other countries. You may not remove or alter any trademark, trade names, product names, logo, copyright or other proprietary notices, legends, symbols or labels in the Profile. This License Agreement does not authorize you to use DIC's or its licensors' names or any of their respective trademarks.

5. WARRANTY DISCLAIMER

a. THE PROFILE IS PROVIDED TO YOU FREE OF CHARGE, AND ON AN “AS-IS” BASIS, IN ACCORDANCE WITH THE TERMS AND COONDITIONS OF THIS LICENSE AGREEMENT. DIC PROVIDES NO TECHNICAL SUPPORT, WARRANTIES OR REMEDIES FOR THE PROFILE.

b. DIC DISCLAIMS ALL WARRANTIES AND REPRESENTATIONS, WHETHER EXPRESS, IMPLIED, OR OTHERWISE, INCLUDING BUT NOT LIMITED TO, THE WARRANTIES OF MERCHANTABILITY OR FITNESS FOR A PARTICULAR PURPOSE, NON-INFRINGEMENT, TITLE AND QUIET ENJOYMENT. YOU SHALL ASSUME AND BE FULLY LIABLE AND RESPONSIBLE FOR ALL RISKS IN CONNECTION WITH YOUR USE OF THE PROFILE. DIC DOES NOT WARRANT THAT THE PROFILE IS FREE OF DEFECTS OR FLAWS OR WILL OPERATE WITHOUT INTERRUPTION, AND IS NOT RESPONSIBLE FOR CORRECTING OR REPAIRING ANY DEFECTS OR FLAWS, FOR FEE OR GRATIS. NO RIGHTS OR REMEDIES WILL BE CONFERRED ON YOU UNLESS EXPRESSLY GRANTED HEREIN.

6. LIMITATION OF LIABILITY

DIC SHALL NOT BE LIABLE TO YOU OR ANY THIRD PARTY FOR ANY DIRECT, INDIRECT, SPECIAL, INCIDENTAL, PUNITIVE, COVER OR CONSEQUENTIAL DAMAGES (INCLUDING, BUT NOT LIMITED TO, DAMAGES FOR THE INABILITY TO USE EQUIPMENT OR ACCESS DATA, LOSS OF BUSINESS, LOSS OF PROFITS, BUSINESS INTERRUPTION OR THE LIKE), ARISING OUT OF THE USE OF, OR INABILITY TO USE, THE PROFILE AND BASED ON ANY THEORY OF LIABILITY INCLUDING BREACH OF CONTRACT, BREACH OF WARRANTY, TORT (INCLUDING NEGLIGENCE), PRODUCT LIABILITY OR OTHERWISE, EVEN IF DIC OR ITS REPRESENTATIVES HAVE BEEN ADVISED OF THE POSSIBILITY OF SUCH DAMAGES.

THE FOREGOING LIMITATIONS ON LIABILITY SHALL APPLY TO ALL ASPECTS OF THIS LICENSE AGREEMENT.

7. General

a. This License Agreement shall be governed and construed in accordance with the laws of Japan, without giving effect to principles of conflict of laws. If any provision of this License Agreement shall be held by a court of competent jurisdiction to be contrary to law, that provision will be enforced to the maximum extent permissible, and the remaining provisions of this License Agreement will remain in full force and effect. You hereby consent to the exclusive jurisdiction and venue of Tokyo District Court to resolve any disputes arising under this License Agreement.

b. This License Agreement contains the complete agreement between the parties with respect to the subject matter hereof, and supersedes all prior or contemporaneous agreements or understandings, whether oral or written. You agree that any varying or additional terms contained in any written notification or document issued by you in relation to the Profile licensed hereunder shall be of no effect.

c. The failure or delay of DIC to exercise any of its rights under this License Agreement or upon any breach of this License Agreement shall not be deemed a waiver of those rights or of the breach.

Índice

Acuerdo de licencia de software.	2
About Adobe Color Profile.	4
ICC Profile for TOYO INK Standard Color on Coated paper (TOYO Offset Coated 3.0).	7
DIC STANDARD COLOR PROFILE LICENSE AGREEMENT.	8

Capítulo 1 **Introducción**

Familiarización con su impresora.	15
Requisitos de espacio.	15
Partes de la impresora.	16
Disco de software.	17
Controladores PostScript/controladores PCL.	17
Archivos PPD.	18
Documentación.	18
Requisitos del sistema.	18

Capítulo 2 **Utilización del controlador de la impresora**

Selección de las opciones de controlador/Valores predeterminados (para Windows).	20
Desinstalación del controlador de la impresora (para Windows).	21
Utilización del controlador de la impresora PostScript y PCL.	22
Botones comunes.	22
Ficha Avanzada (controlador de impresora PostScript solamente).	24
My Tab.	24
Ficha Basic (Básico).	24
Ficha Layout (Presentación).	25
Ficha Cover Page (Configuración/página).	26
Ficha Watermark/Overlay (Marca de agua/superposición).	26
Ficha Quality (Calidad).	27
Ficha Other (Otros).	28
Limitaciones en las funciones del controlador Apuntar e imprimir instalado.	28

Capítulo 3 **Panel de control de la impresora y menú de configuración**

Acerca del panel de control.	29
Indicadores y teclas del panel de control.	29
Ventana de mensajes.	30
Pantallas de ayuda.	31
Descripción general del menú de configuración.	31
PROOF/PRINT MENU (MENU PRUEBA/IMPR).	31
Introducción de la contraseña.	32
PRINT MENU (MENU IMPRESION).	32
PAPER MENU (MENU PAPEL).	33
QUALITY MENU (MENU CALIDAD).	37
MEMORY DIRECT.	43
INTERFACE MENU (MENU INTERFAZ).	45
SYS DEFAULT MENU (MENU SIST PREDET).	48
MAINTENANCE MENU (MENU MANTENIMIEN).	57

Capítulo 4 **Memory Direct**

Memory Direct	62
Impresión desde un dispositivo de memoria USB conectado.	62

Capítulo 5 **Manipulación del papel**

Papel de impresión.	64
Especificaciones.	64
Tipos de papel.	66
Área imprimible.	74
Carga del papel	76
Bandeja 1 (bandeja de alimentación manual).	76
Bandeja 2.	79
Casete de papel de 500 hojas (Bandeja 3).	82
Duplexión (Epson AcuLaser C3900DN solamente).	84
Bandeja de salida.	86
Almacenamiento del papel.	86

Capítulo 6 **Sustitución de productos consumibles y piezas de mantenimiento**

Acerca de los cartuchos de tóner.	88
Sustitución de un cartucho de tóner.	90
Sustitución de una unidad fotoconductora.	95
Sustitución de la botella de residuos de tóner (0595).	102
Sustitución de la pila de respaldo.	105
Sustitución la unidad de fusión (3041/3042).	107

Capítulo 7 **Mantenimiento de la impresora**

Mantenimiento de la impresora.	112
Limpieza de la impresora.	114
Exterior.	114
Rodillos del papel.	115
Limpieza de la lente láser.	118

Capítulo 8 **Solución de problemas**

Impresión de una página de configuración.	124
Prevención de mala alimentación del papel.	124
Eliminación de papel mal alimentado	125
Mensajes de papel mal alimentado y procedimientos de eliminación.	125
Solución de problemas de mala alimentación del papel.	139
Solución de otros problemas.	142
Solución de problemas de calidad de impresión.	146
Mensajes de estado, error, y servicio.	150
Mensajes de estado estándar.	151
Mensajes de error (Advertencia).	152
Mensajes de error (Llamada al operador).	154
Mensajes de servicio.	157

Capítulo 9 **Instalación de accesorios**

Introducción.	158
Protección antiestática.	158
Módulo de memoria con doble fila de contactos (DIMM).	159
Instalación de un DIMM.	159

Disco duro (C12C824511).....	161
Instalación del disco duro.....	161
Casete de papel de 500 hojas (C12C802651).....	163
Instalación de un casete de papel de 500 hojas.....	163

Apéndice A Apéndice

Especificaciones técnicas.....	166
Impresora.....	166

Índice

Capítulo 1

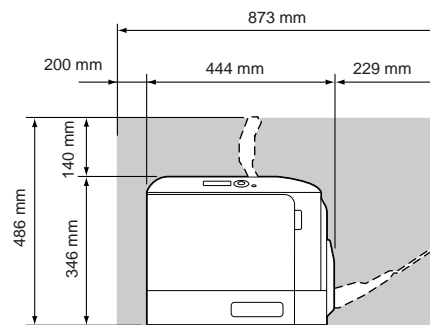
Introducción

Familiarización con su impresora

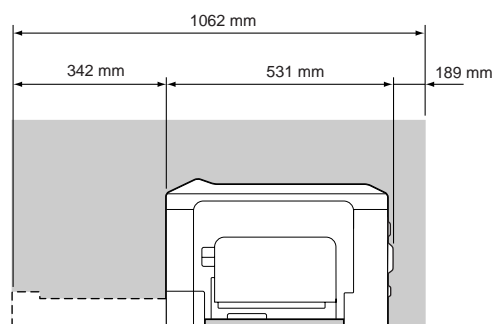
Requisitos de espacio

Para facilitar la operación, la sustitución de artículos de consumo, y el mantenimiento, observe los requisitos de espacio recomendados, que a continuación se detallan.

Vista frontal

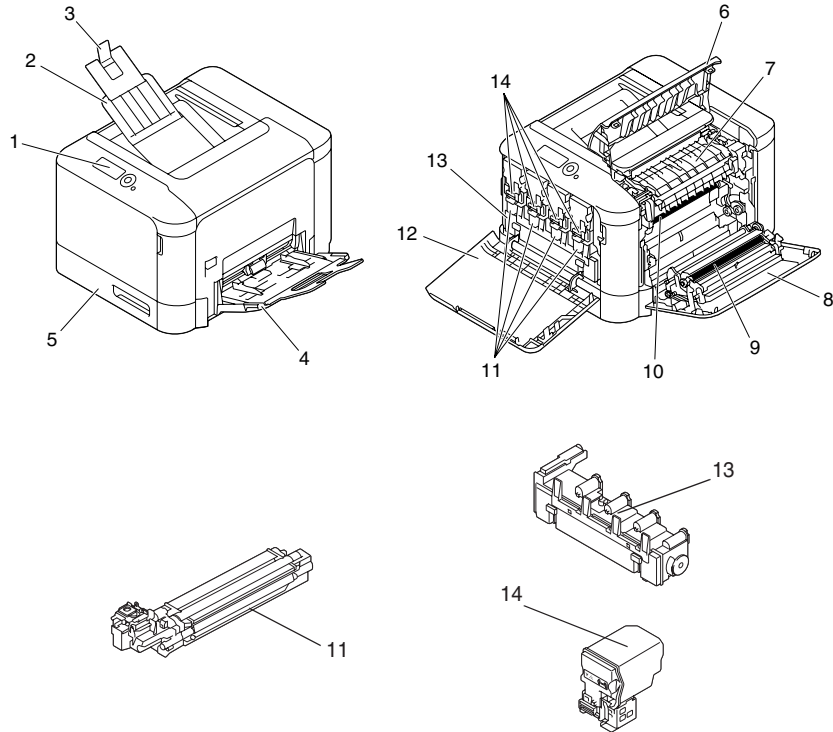


vista lateral

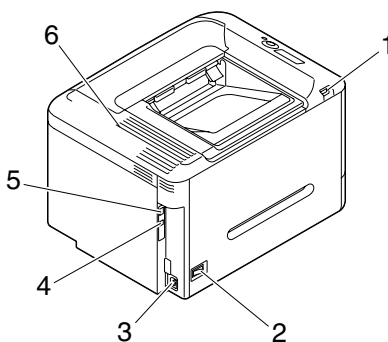


Partes de la impresora

Vista frontal



1. Panel de control
2. Bandeja de salida
3. Retenedor del papel
4. Bandeja 1 (bandeja de alimentación manual)
5. Bandeja 2
6. Cubierta de expulsión
7. Unidad de fusión
8. Cubierta lateral derecha
9. Rodillo de transferencia
10. Unidad de correa de transferencia
11. Unidad(es) fotoconductor(a)s
12. Cubierta frontal
13. Botella de residuos de tóner
14. Cartucho(s) de tóner

Vista posterior

1. Puerto de memoria USB
2. Interruptor de alimentación
3. Conexión de la alimentación
4. Puerto USB
5. Puerto de interfaz 10Base-T/100Base-TX/1000Base-T Ethernet
6. Rejillas de ventilación

Disco de software**Controladores PostScript/controladores PCL**

Sistema operativo	Uso/Ventaja
Windows 7/Vista/Server 2008/XP/Server 2003/2000	Estos controladores le permitirán el acceso a todas las funciones de la impresora, incluyendo acabado y disposición avanzada. Consulte también "Utilización del controlador de la impresora PostScript y PCL" de la página 22.
Windows 7/Vista/Server 2008/XP/Server 2003 para 64 bits	

Nota:

Un archivo PPD específico ha sido preparado para aplicaciones (tales como PageMaker y Corel Draw) que requieran la especificación de un archivo PPD cuando se imprime.

Cuando especifique un archivo PPD durante la impresión en Windows 7, Vista, Server 2008, XP, Server 2003 y 2000, utilice el archivo PPD específico suministrado en el disco de software.

Archivos PPD

Sistema operativo	Uso/Ventaja
Macintosh OS X (10.3.9/10.4/10.5/10.6) Macintosh OS X Server (10.3.9/10.4/10.5/10.6)	Estos archivos se requieren a fin de utilizar el controlador de la impresora para cada sistema operativo. Con respecto a los detalles sobre los controladores de impresoras Linux, consulte la Guía de referencia.
RedHat Enterprise Linux 5 Desktop SUSE Linux Enterprise Desktop 10	

Documentación

Documentación	Uso/Ventaja
Guía de instalación	Este manual proporciona detalles sobre las operaciones iniciales que deberán realizarse a fin de utilizar esta impresora, tales como configuración de la impresora e instalación de los controladores.
Guía del usuario (este manual)	Este manual proporciona detalles sobre las operaciones en general, tales como utilización de los controladores, el panel de control, y la sustitución de artículos de consumo.
Guía de Referencia	Este manual proporciona detalles sobre la instalación de los controladores de Macintosh y Linux y sobre la especificación de opciones para la red, y la utilidad de gestión de la impresora.

Requisitos del sistema

- Ordenador personal
 - Pentium 2: 400 MHz (Pentium 3: Se recomiendan 500 MHz o más)
 - PowerPC G3 o posterior (se recomienda G4 o posterior)
 - Macintosh equipado con procesador Intel
- Sistema operativo
 - Microsoft Windows

Windows 7	Home Basic/Home Premium/Professional/Ultimate Edition
Windows Vista	Home Basic/Home Premium/Ultimate/Business/Enterprise Edition Home Basic/Home Premium/Ultimate/Business/Enterprise x64 Edition

Windows XP	Home/Professional (Service Pack 2 o posterior) Edition Professional x64 Edition
Windows 2000	(Service Pack 4 o posterior)
Windows Server 2008 R2	Standard/Enterprise Edition
Windows Server 2008	Standard/Enterprise Edition Standard/Enterprise x64 Edition
Windows Server 2003 R2	Standard/Enterprise Edition Standard/Enterprise x64 Edition
Windows Server 2003	Standard/Enterprise Edition Standard/Enterprise x64 Edition

- Mac OS X (10.3.9 o posterior; Recomendamos instalar el último parche). Mac OS X Server (10.3.9 o posterior)
- RedHat Enterprise Linux 5 Desktop, SUSE Linux Enterprise Desktop 10
- Espacio libre en el disco duro
 - Aproximadamente 20 MB de espacio libre en el disco duro para el controlador de impresora
 - Aproximadamente 128 MB de espacio libre en el disco duro para proceso de imágenes
- RAM
Capacidad recomendada para el sistema operativo
- Unidad de CD/DVD-ROM
- Interfaz de entrada/salida
 - Puerto de interfaz 10Base-T/100Base-TX/1000Base-T Ethernet
 - Puerto compatible con USB 2.0 High Speed

Nota:

Con respecto a los detalles sobre el controlador de impresora Linux, consulte la Guía de Referencia.

Capítulo 2

Utilización del controlador de la impresora

Selección de las opciones de controlador/Valores predeterminados (para Windows)

Antes de iniciar el trabajo con su impresora, se le aconseja que verifique/cambie las opciones predeterminadas del controlador. Además, en caso de que haya instalado opciones, tendrá que “declarar” las opciones en el controlador.

1. Elija las propiedades del controlador.
2. Si instaló opciones, vaya al paso siguiente. De lo contrario, salte al paso 9.
3. Seleccione la ficha **Configure (Configurar)**.
4. Verifique que las opciones instaladas estén correctamente listadas. Si no lo están, vaya al paso siguiente. De lo contrario, continúe con el paso 8.
5. Haga clic en **Refresh (Actualizar)** para configurar automáticamente las opciones instaladas.

Nota:

Refresh (Actualizar) solamente estará disponible si lo está la comunicación bidireccional con la impresora; en caso contrario estará en gris.

*Si está utilizando Windows Vista o Server 2008, también podrá hacer clic en **Refresh (Actualizar)** cuando la máquina esté conectada a través de USB.*

6. Desde la lista de **Device Options (Opc. de dispositivo)**, seleccione una opción, una cada vez, y después seleccione **Enable (Activado)** o **Disable (Deshabilitar)** del menú **Settings (Configuración)**.

Nota:

Para modelos con una unidad dúplex integrada (Epson AcuLaser C3900DN), seleccione **EPSON AL-C3900** para **Model (Modelo)** en la lista **Device Options (Opc. de dispositivo)**.

Si ha seleccionado **Printer Memory (Memoria de la impresora)**, seleccione **256MB (256 MB)** o **768MB (768 MB)** de acuerdo con la memoria instalada. La opción predeterminada en fábrica es **256MB (256 MB)**.

❑ *Esta impresora no acepta tarjetas CompactFlash.*

7. Haga clic en **Aplicar**.

Nota:

Dependiendo de la versión del sistema operativo, es posible que no aparezca Aplicar. En este caso, continúe con el paso siguiente.

8. Seleccione la ficha **General**.

9. Haga clic en **Preferencias de impresión**.

Aparecerá el cuadro de diálogo Preferencias de impresión.

10. Seleccione las opciones predeterminadas para su impresora, como, por ejemplo, el formato de papel predeterminado, en las fichas apropiadas.

11. Haga clic en **Aplicar**.

12. Haga clic en **OK (Aceptar)** para salir del cuadro de diálogo Preferencias de impresión.

13. Haga clic en **OK (Aceptar)** del cuadro de diálogo Preferencias de impresión.

Desinstalación del controlador de la impresora (para Windows)

1. Cierre todas las aplicaciones.

2. Elija el programa de desinstalación.

3. Cuando aparezca el cuadro de diálogo Uninstall (Desinstalar), seleccione la impresora que desee eliminar, y después haga clic en el botón **Uninstall (Desinstalar)**.

4. Haga clic en **Desinstalar**.

5. Haga clic en **OK (Aceptar)**, y reinicie su ordenador.

6. El controlador de la impresora se desinstalará de su ordenador.

Utilización del controlador de la impresora PostScript y PCL

Botones comunes

Los botones descritos a continuación aparecerán en cada ficha.

OK

Haga clic para salir del cuadro de diálogo Propiedades, guardando los cambios realizados.

Cancelar

Haga clic para salir del cuadro de diálogo Propiedades, sin guardar los cambios realizados.

Apply (Aplicar)

Haga clic para guardar todos los cambios sin salir del cuadro de diálogo Propiedades.

Help (Ayuda)

Haga clic para ver la ayuda.

Favorite Setting (Config. favorita)

Esto permite guardar la configuración actual. Para guardar la configuración actual, especifique las opciones deseadas, y después haga clic en **Add (Agregar)**. Especifique las opciones descritas a continuación, y después haga clic en **OK (Aceptar)**.

- Name: (Nombre:)** Introduzca el nombre de la configuración que desee guardar.
- Icon (Icono):** Seleccione un icono de la lista de iconos para identificar fácilmente la configuración. El icono seleccionado aparecerá en la lista desplegable.
- Sharing (Compartir):** Especifique si desea que a configuración guardada pueda utilizarse por otros usuarios que entren en sesión en el ordenador.
- Comment: (Comentario:)** Añada un comentario sencillo a la configuración que desee guardar.

Después, la configuración guardada podrá seleccionarse desde la lista desplegable. Para cambiar la configuración registrada, haga clic en **Edit (Editar)**.

Además, podrá seleccionar configuraciones predefinidas.

Las configuraciones predefinidas son para “2-up”, “Photo (Foto)” y “Grayscale (Escala de grises)”.

Seleccione **Defaults (Valores predet.)** de la lista desplegable para reponer las funciones de todas las fichas a sus valores predeterminados.

Printer View (Vista de impresora)

Haga clic en el botón para visualizar una de la impresora en el área de figuras. Cuando haga clic en este botón, cambiará al botón **Paper View (Vista de papel)** (cuando seleccione una ficha que no sea **Quality (Calidad)**), o el botón **Quality View (Vista de Calidad)** (cuando seleccione la ficha **Quality (Calidad)**).

Nota:

Este botón no aparecerá en la ficha Avanzada.

Paper View (Vista de papel)

Haga clic en el botón para visualizar una muestra de la disposición de página en el área de figuras. Cuando haga clic en este botón, cambiará al botón **Printer View (Vista de impresora)**.

Nota:

*Este botón no aparecerá en la ficha **Quality (Calidad)**.*

Quality View (Vista de calidad)

Haga clic en el botón para visualizar una muestra de la configuración de seleccionada en la ficha **Quality (Calidad)**. Cuando haga clic en este botón, cambiará al botón **Printer View (Vista de impresora)**.

Nota:

*Este botón solamente aparecerá cuando haya seleccionado la ficha **Quality (Calidad)**.*

Printer Information (Info. impresora)

Haga clic en este botón para iniciar Web-Based EpsonNet Config.

Nota:

Este botón solamente estará disponible si se ha establecido una conexión a la red.

Default (Predeterminado)

Haga clic en el botón para reponer la configuración a la predeterminada.

Nota:

- Este botón no aparecerá en la ficha Avanzada.
- Cuando haga clic en este botón, la configuración en el cuadro de diálogo visualizado se repondrá a la predeterminada. La configuración de otras fichas no podrá cambiarse.

Ficha Avanzada (controlador de impresora PostScript solamente)

La ficha Avanzada le permitirá

- Seleccionar el habilitar o deshabilitar las opciones para las funciones de impresión avanzada (como impresión de cuadernillo).
- Especificar el método de salida PostScript
- Especificar si se llevará a cabo o no la impresión de mensajes de error de un trabajo de impresión
- Imprimir una imagen de espejo
- Especificar si la aplicación podrá dar salida directamente a datos PostScript

My Tab

My Tab le permitirá

- Visualizar las funciones más frecuentemente utilizadas (desde cada ficha) cuyas opciones se cambien a menudo.
- Agregar o eliminar funciones visualizadas haciendo clic en **Edit My Tab (Editar My Tab)**. Además, podrá agregar funciones a My Tab haciendo clic con el botón derecho del ratón en sus fichas originales.

Ficha Basic (Básico)

La ficha Basic (Básico) le permitirá

- Especificar la orientación del papel
- Especificar el tamaño del documento original
- Seleccionar el tamaño de papel de salida

- Utilizar el zoom (ampliar/reducir) en documentos
- Especificar la fuente de papel
- Especificar el tipo de papel
- Especificar el número de copias
- Activar/desactivar el cotejo de trabajos
- Almacenar un trabajo de impresión en la impresora e imprimirlo más tarde (Retención de trabajo)
- Almacenar un trabajo confidencial en la impresora y protegerlo con una contraseña
- Imprimir una sola copia para prueba
- Especificar la configuración de autenticación de usuario y seguimiento de cuenta
- Imprimir el reverso de un papel ya impreso

Nota:

- Utilice papel que ya haya sido impreso con esta impresora.
Además, la página impresa con esta opción no se garantiza.*
- No utilice los tipos de papel siguientes.*
 - *Papel que ya haya sido impreso con una impresora de chorro de tinta*
 - *Papel que ya haya sido impreso con una impresora/copiadora de láser monocroma/en color*
 - *Papel que ya haya sido impreso con cualquier otra impresora o máquina de fax*

Ficha Layout (Presentación)

La ficha Layout (Presentación) le permitirá

- Imprimir varias páginas de un documento en la misma página (impresión de N-up)
- Imprimir una sola copia para ampliar e imprimir varias páginas (controlador de impresora PCL solamente)
- Especificar impresión de cuadernillo (Epson AcuLaser C3900DN solamente)
- Girar la imagen de impresión 180 grados
- Especificar impresión dúplex (dos caras) (Epson AcuLaser C3900DN solamente)
- Especificar si desea imprimir o no páginas en blanco (controlador de impresora PCL solamente)

- Ajustar el margen de encuadernado
- Ajustar la posición de impresión (controlador de impresora PCL solamente)
- Especificar la posición en el papel en la que vaya a imprimirse el documento

Ficha Cover Page (Configuración/página)

La ficha Cover Page (Configuración/página) le permitirá

- Imprimir la portada y contraportada y páginas de separación
- Especificar la bandeja que contiene el papel para la portada y contraportada y las páginas de separación

Ficha Watermark/Overlay (Marca de agua/superposición)

Nota:

Cerciórese de utilizar superposiciones con trabajos de impresión con un tamaño y orientación de papel que esté de acuerdo con el formato de la superposición. Además, si la configuración se ha especificado para “N-up (Número-Arriba)” o “Booklet (Boletín)” en el controlador de impresora, el formato de superposición no podrá ajustarse para adaptarse a la configuración especificada.

Las opciones de la función “Watermark (Marca de agua)” de la ficha Watermark/Overlay (Marca de agua/superposición) le permitirán

- Seleccionar la filigrana que desee utilizar
- Crear, editar, o borrar marcas de aguas
- Ajustar la posición de la marca de agua
- Imprimir un marco alrededor de las marcas de agua
- Imprimir marcas de agua transparentes (sombreadas)
- Imprimir la filigrana solamente en la primera página
- Imprimir repetidamente la marca de agua en todas las páginas

Las opciones de la función “Overlay (superposición)” de la ficha Watermark/Overlay (Marca de agua/superposición) le permitirán

- Seleccionar el formato para utilizar
- Añadir o borrar archivos de superposición
- Crear un formato (controlador de impresora PCL solamente)
- Especificar que el documento y el formato se impriman superpuestos (controlador de impresora PCL solamente)
- Visualizar la información del formato (controlador de impresora PCL solamente)
- Imprimir el formato en All Pages (Todas las páginas), primera página, Even Pages (Páginas pares) y Odd Pages (Páginas impares)
- Colocar el formato detrás del documento o delante del documento impreso (controlador de impresora PCL solamente)

Ficha Quality (Calidad)

La ficha Quality (Calidad) le permitirá

- Especificar si la impresión se va a hacer en color o en blanco y negro
- Controlar la oscuridad de una imagen (Brightness (Brillo))
- Especificar las opciones de color (Quick Color (Configuración rápida del color))
- Realizar la separación de colores
- Seleccione si desea utilizar o no la impresión económica
- Establecer el grosor del borde a Low (Bajo), Middle (Medio) o High (Alto)
- Especificar el valor de los detalles en los patrones gráficos (controlador de impresora PCL solamente)
- Especificar el formato de fuentes que desea descargar (controlador de impresora PCL y PostScript solamente)
- Imprimir utilizando las fuente de la impresora (controlador de impresora PCL y PostScript solamente)
- Controlar los tonos de una imagen (Contrast (Contraste)) (controlador de impresora PCL solamente)
- Especificar el método de compresión de imagen (controlador de impresora PCL solamente)

- Seleccionas si se utiliza o no la función Auto Trapping (Autocompatib.entre tintas) (controlador de impresora Postscript solamente).
- Especificar a función Black Over Print (Negro sobre impresión) (controlador de impresora PostScript solamente)

Ficha Other (Otros)

La ficha Other (Otros) le permitirá

- Seleccionar que las hojas de Microsoft Excel no se dividan cuando se impriman
- Seleccionar que el fondo de los datos de Microsoft PowerPoint no oculten archivos de superposición (controlador de impresora PCL solamente)
- Enviar una notificación por e-mail cuando finalice la impresión
- Mostrar la información de versión para el controlador de la impresora.
- Evitar la pérdida cuando se impriman líneas finas (controlador de impresora PCL solamente)

Limitaciones en las funciones del controlador Apuntar e imprimir instalado

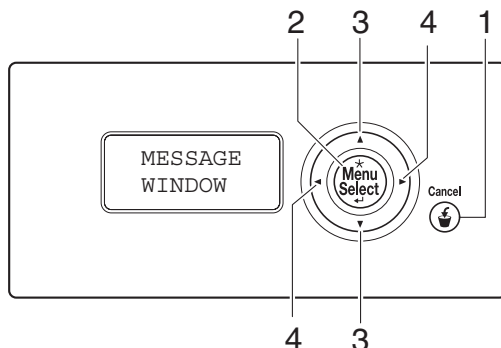
Si se realiza Señalar e imprimir con las combinaciones de servidor y cliente siguientes, existirán limitaciones en algunas funciones de controlador de impresora.

- Combinaciones de servidor y cliente
Servidor Windows Server 2003/XP/2000/Server 2008/Vista
Cliente: Windows Server 2003/XP/2000/Server 2008/Vista
- Funciones con limitaciones aplicadas
Booklet (Boletín), Skip Blank Pages (Omitir páginas en blanco), Front Cover Page (Página de portada), Back Cover Page (Página de contraportada), Separator Page (Páginas separadoras), Create Overlay (Crear superposición), Print in Overlay (Imprimir en superpos.), Watermark (Marca de agua)
*Salida de Nombre de trabajo, Nombre de usuario, y Nombre de host de PJJ








Capítulo 3

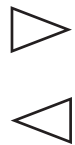


Panel de control de la impresora y menú de configuración

Acerca del panel de control

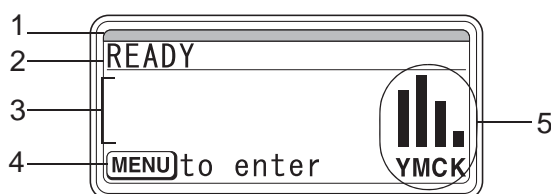







Indicadores y teclas del panel de control

N.º	Tecla	Función
1	<p>Cancel</p> 	<ul style="list-style-type: none"> <input type="checkbox"/> Pulse para cancelar la opción actualmente visualizada <input type="checkbox"/> Cancela uno o todos los trabajos de impresión que estén imprimiendo o procesándose: <ol style="list-style-type: none"> 1. Pulse la tecla Cancel. 2. Pulse las teclas Δ o ∇ para seleccionar CURRENT JOB (TRABAJO ACTUAL) o ALL JOBS (TOD. LOS TRABAJOS). 3. Pulse la tecla Menu/Select.
2	<p>* Menu Select</p> 	<ul style="list-style-type: none"> <input type="checkbox"/> Entra en el sistema de menús <input type="checkbox"/> Mueve hacia abajo en la estructura del menú <input type="checkbox"/> Aplica la opción seleccionada <input type="checkbox"/> MENU aparece en la ventana de mensajes
3		<ul style="list-style-type: none"> <input type="checkbox"/> Mueve hacia arriba y abajo a través de menús, opciones, o elecciones <input type="checkbox"/> , , ,  aparece en la ventana de mensajes

N.º	Tecla	Función
4		<ul style="list-style-type: none"> <input type="checkbox"/> Mueve hacia izquierda y la derecha a través de menús, opciones, o elecciones <input type="checkbox"/>  ,  aparece en la ventana de mensajes

Ventana de mensajes



N.º	Detalles
1	<p>El estado de la impresora se indica mediante el color del indicador y el encendido/parpadeo de la ventana de mensajes.</p> <ul style="list-style-type: none"> <input type="checkbox"/> READY (LISTA): Indicador encendido en azul y ventana encendida. <input type="checkbox"/> PROCESSING (PROCESANDO) o PRINTING (IMPRIMIENDO): Indicador parpadeando y ventana encendida. <input type="checkbox"/> ENERGY SAVER (AHORRO ENERGÍA): Indicador encendido en azul y ventana apagada. <input type="checkbox"/> ERROR: Indicador encendido en rojo y ventana encendida.
2	<p>Se visualiza el estado actual de la impresora.</p> <ul style="list-style-type: none"> <input type="checkbox"/> Si hay que llamar al operador o al representante de servicio, se visualizan el símbolo  y el estado de error. <input type="checkbox"/> Cuando haya una advertencia, aparecerá el símbolo  . <input type="checkbox"/> Cuando enchufe un dispositivo de memoria USB en el puerto de memoria USB, aparecerá el símbolo  en el lado derecho de la ventana de mensajes. <input type="checkbox"/> Mientras se esté recibiendo un trabajo de impresión, aparecerá el símbolo  en el lado derecho de la ventana de mensajes. Mientras se esté recibiendo un trabajo de impresión directa desde la memoria, aparecerá el símbolo  .
3	<ul style="list-style-type: none"> <input type="checkbox"/> Se visualizan mensajes de error. <input type="checkbox"/> Mientras se esté recibiendo un trabajo de impresión, se visualizarán al nombre del usuario y el progreso de la impresión.
4	Se visualiza información clave.

N.º	Detalles
5	Se visualiza la cantidad aproximada de tóner restante.

Pantallas de ayuda

Las pantallas de ayuda aparecen cuando se pulsa la tecla ∇ después de haber ocurrido un error, como mala alimentación del papel, a fin de que pueda corregirse el error.

Descripción general del menú de configuración

PROOF/PRINT MENU (MENU PRUEBA/IMPR)

Nota:

Este menú solamente aparecerá si se ha instalado un disco duro opcional.

Con este menú, los trabajos de impresión establecidos para guardarse en el disco duro utilizando Retención de trabajo en la ficha Básico del controlador de la impresora podrán imprimir o eliminarse.

Nota:

Si SYS DEFAULT MENU (MENU SIST PREDET)/SECURITY (SEGURIDAD)/LOCK PANEL (BLOQUEAR PANEL) se establece a ON (ACTIVADO), habrá que introducir la contraseña a fin de que se visualice el contenido de PROOF/PRINT MENU (MENU PRUEBA/IMPR). Con respecto a los detalles sobre LOCK PANEL (BLOQUEAR PANEL), consulte "SYS DEFAULT MENU (MENU SIST PREDET)" de la página 48.

Impresión de un trabajo guardado

1. Pulse la tecla **Menu/Select**.
2. Seleccione PROOF/PRINT MENU (MENU PRUEBA/IMPR), y después pulse la tecla **Menu/Select**.
3. Seleccione el nombre de usuario deseado, y después pulse la tecla **Menu/Select**.
4. Seleccione el nombre del trabajo deseado, y después pulse la tecla **Menu/Select**.
5. Seleccione PRINT (IMPRIMIR), y después pulse la tecla **Menu/Select**.

6. Pulse las teclas \triangle y ∇ para especificar el número de copias que desee imprimir.
7. Pulse la tecla **Menu/Select**.

Se iniciará la impresión.

Eliminación de un trabajo guardado

1. Siga los pasos 1 a 3 de “Impresión de un trabajo guardado” de la página 31.
2. Seleccione DELETE (ELIMINAR), y después pulse la tecla **Menu/Select**.
3. Seleccione YES (SI) o NO, y después pulse la tecla **Menu/Select**.

Introducción de la contraseña

Si el trabajo de impresión seleccionado en PROOF/PRINT MENU (MENU PRUEBA/IMPR) es una impresión protegida, aparecerá una pantalla para introducir la contraseña. Siga el procedimiento descrito a continuación para escribir la contraseña de cuatro dígitos especificada desde el controlador de la impresora.

1. Pulse \triangle para aumentar o ∇ para reducir el primer dígito de la contraseña.
2. Pulse la tecla \triangleright para mover el cursor hasta el dígito siguiente.
3. Pulse \triangle para aumentar o ∇ para reducir el segundo dígito de la contraseña.
4. Continúe estos pasos hasta que haya especificado los cuatro dígitos de la contraseña.
5. Pulse la tecla **Menu/Select**.

Aparecerá la pantalla de selección PRINT (IMPRIMIR)/DELETE (ELIMINAR).

Nota:

Si introdujo una contraseña incorrecta, aparecerá INVALID ENTRY (ENTR. NO VALIDA) y volverá a aparecer la pantalla para introducción de la contraseña.

PRINT MENU (MENU IMPRESION)

Con este menú, podrá imprimir la información de la contraseña, como la página de configuración.

Nota:

Si SYS DEFAULT MENU (MENU SIST PREDET)/SECURITY (SEGURIDAD)/LOCK PANEL (BLOQUEAR PANEL) se establece a ON (ACTIVADO), habrá que introducir la contraseña a fin de que se visualice el contenido de PRINT MENU (MENU IMPRESION). Con respecto a los detalles sobre LOCK PANEL (BLOQUEAR PANEL), consulte “SYS DEFAULT MENU (MENU SIST PREDET)” de la página 48.

Elementos		Opciones (predeterminadas en negrilla)/Descripción
CONFIGURATION PG (PAGINA CONFIG)		PRINT (IMPRIMIR) /CANCEL (CANCELAR)
STATISTICS PAGE (PAG ESTADISTICA)		PRINT (IMPRIMIR) /CANCEL (CANCELAR)
		Imprime la página de estadísticas con el número de páginas impresas.
FONT LIST (LISTA FUENTES)	POSTSCRIPT	PRINT (IMPRIMIR) /CANCEL (CANCELAR)
	PCL	PRINT (IMPRIMIR) /CANCEL (CANCELAR)
MENU MAP (MAPA MENU)		PRINT (IMPRIMIR) /CANCEL (CANCELAR)
DIRECTORY LIST (LISTA DIRECTORIO)*1		PRINT (IMPRIMIR) /CANCEL (CANCELAR)
		Imprime una lista de directorio del disco duro.

*1 Este elemento solamente aparecerá si se ha instalado un disco duro opcional.

PAPER MENU (MENU PAPEL)

Con este menú, podrá gestionarse el papel utilizado para impresión.

Nota:

Si SYS DEFAULT MENU (MENU SIST PREDET)/SECURITY (SEGURIDAD)/LOCK PANEL (BLOQUEAR PANEL) se establece a ON (ACTIVADO), habrá que introducir la contraseña a fin de que se visualice el contenido de PAPER MENU (MENU PAPEL). Con respecto a los detalles sobre LOCK PANEL (BLOQUEAR PANEL), consulte “SYS DEFAULT MENU (MENU SIST PREDET)” de la página 48.

Elementos		Opciones (predeterminadas en negrilla)/Descripción
PAPER SOURCE (FUENTE DE PAPEL)	DEFAULT TRAY (BAND POR DEFECT)	TRAY1 (BAND1)/ TRAY2 (BAND2) /TRAY3 (BAND3)* ¹ Seleccione la opción para la bandeja predeterminada.
	TRAY 1 (BAND 1)	PAPER SIZE (TAMAÑO PAPEL) ANY (CUALQUIERA), LETTER (CARTA), LEGAL, EXECUTIVE (EJECUTIVO), A4 , A5, A6, B5(JIS), B6(JIS), GOVT LETTER (CARTA GOB), STATEMENT, FOLIO, SP FOLIO (FOLIO ESPEC.), UK QUARTO (CUARTO RU), FOOLSCAP, GOVT LEGAL (LEGAL GOB), 16K, PHOTO 4x6 (FOTO 4x6)* ² , KAI 16, KAI 32, ENV C6 (SOBRE C6), ENV DL (SOBRE DL), ENV MONARCH (SOBRE MONAR), ENV CHOU#3 (SOBRE CHOU#3), ENV CHOU#4 (SOBRE CHOU#4), B5(ISO), ENV #10 (SOBRE #10), JPOST (POSTAL JAP), JPOST-D (POSTAL JAP-D), 8 1/8x13 1/4, 8 1/2x13 1/2, CUSTOM (PERSONALIZ.) Seleccione la opción para el tamaño del papel cargado en la bandeja 1.
		CUSTOM SIZE (TAMAÑO PERSONAL)* ³ Especifique el tamaño del papel cuando haya cargado papel personalizado en la bandeja 1. Las unidades de las opciones podrán cambiarse entre milímetros y pulgadas con la opción SYS DEFAULT MENU (MENU SIST PRE-DET)/PAPER (PAPEL)/UNIT OF MEASURE (UNIDAD MEDIDA). La gama de la opción para WIDTH (ANCHO) es 92 a 216 mm. La opción predeterminada es 210 mm. La gama de la opción para LENGTH (LONGITUD) es 148 a 356 mm. La opción predeterminada es 297 mm.
		PAPER TYPE (TIPO PAPEL) ANY (CUALQUIERA)/ PLAIN PAPER (PAPEL SIMPLE) /RECYCLED (RECICLADO)/THICK 1 (GRUESO 1)/THICK 2 (GRUESO 2)/LABEL (ETIQUETA)/ENVELOPE (SOBRE)/POSTCARD (TARJ POSTAL)/LETTERHEAD (PAPEL MEMBR.)/GLOSSY 1 (BRILLANTE 1)/GLOSSY 2 (BRILLANTE 2)/SGL SIDE ONLY (SÓLO UNA CARA)/SPECIAL PAPER (PAPEL ESPECIAL) Seleccione la opción para el tipo del papel cargado en la bandeja 1.
	TRAY 2 (BAND 2)	PAPER SIZE (TAMAÑO PAPEL) ANY (CUALQUIERA)/LETTER (CARTA)/EXECUTIVE (EJECUTIVO)/ A4 /A5/A6/B5(JIS)/B6(JIS)/GOVT LETTER (CARTA GOB)/STATEMENT/UK QUARTO (CUARTO RU)/16K/PHOTO 4x6 (FOTO 4x6)* ² /KAI 16/KAI 32/CUSTOM (PERSONALIZ.) Seleccione la opción para el tamaño del papel cargado en la bandeja 2.

Elementos		Opciones (predeterminadas en negrilla)/Descripción
	CUSTOM SIZE (TAMAÑO PERSONAL) ^{*3}	<p>Especifique el tamaño del papel cuando haya cargado papel personalizado en la bandeja 2.</p> <p>Las unidades de las opciones podrán cambiarse entre milímetros y pulgadas con la opción SYS DEFAULT MENU (MENU SIST PRE-DET)/PAPER (PAPEL)/UNIT OF MEASURE (UNIDAD MEDIDA).</p> <p>La gama de la opción para WIDTH (ANCHO) es 92 a 216 mm. La opción predeterminada es 210 mm.</p> <p>La gama de la opción para LENGTH (LONGITUD) es 148 a 356 mm. La opción predeterminada es 297 mm.</p>
	PAPER TYPE (TIPO PAPEL)	<p>ANY (CUALQUIERA)/PLAIN PAPER (PAPEL SIMPLE)/RECYCLED (RECICLADO)/THICK 1 (GRUESO 1)/THICK 2 (GRUESO 2)/LABEL (ETIQUETA)/POSTCARD (TARJ POSTAL)/LETTERHEAD (PAPEL MEMBR)/GLOSSY 1 (BRILLANTE 1)/GLOSSY 2 (BRILLANTE 2)/SGL SIDE ONLY (SÓLO UNA CARA)/SPECIAL PAPER (PAPEL ESPECIAL)</p> <p>Seleccione la opción para el tipo del papel cargado en la bandeja 2.</p>
	TRAY 3 (BAND 3) ^{*1}	<p>PAPER SIZE (TAMAÑO PAPEL)</p> <p>Se indicará el tamaño del papel el papel (LETTER (CARTA), LEGAL, GOVT LEGAL (LEGAL GOB), EXECUTIVE (EJECUTIVO), A4 o B5(JIS)) cargado en la bandeja 3.</p> <p>Este elemento solamente se mostrará en la opción actual. Esta opción no puede cambiarse.</p>
	PAPER TYPE (TIPO PAPEL)	<p>Seleccione la opción para el tipo del papel cargado en la bandeja 3.</p>
TRAY CHAINING (BAND ENCADENAM)	<p>ON (ACTIVADO)/OFF (DESACTIVADO)</p> <p>Si selecciona ON (ACTIVADO) y se agota el papel de la bandeja especificada durante la impresión, se seleccionará automáticamente una bandeja con papel cargado del mismo tamaño para que pueda continuar la impresión.</p> <p>Si selecciona OFF (DESACTIVADO) y se agota el papel de la bandeja especificada, la impresión se detendrá.</p>	

Elementos			Opciones (predeterminadas en negrilla)/Descripción
	TRAY MAP-PING (ENLACE BANDEJA)	TRAY MAP-PING MODE (MODO ENL BAND)	<p>ON (ACTIVADO)/OFF (DESACTIVADO)</p> <p>Seleccione si desea utilizar o no la función TRAY MAPPING (ENLACE BANDEJA).</p>
		LOGICAL TRAY0-9 (BANDEJ LOGICA0-9)	<p>PHYSICAL TRAY1 (BANDEJ FÍSICA1)/PHYSICAL TRAY2 (BANDEJ FÍSICA2)/PHYSICAL TRAY3 (BANDEJ FÍSICA3)*¹</p> <p>Seleccione la bandeja que desee utilizar para impresión cuando se reciba un trabajo de impresión desde el controlador de impresora de otro fabricante.</p> <p>La opción predeterminada para LOGICAL TRAY1 (BANDEJ LOGICA1) es PHYSICAL TRAY1 (BANDEJ FÍSICA1). La opción predeterminada para todas las demás bandejas es PHYSICAL TRAY2 (BANDEJ FÍSICA2).</p>
DUPLEX* ⁴			<p>OFF (DESACTIVADO)/LONG EDGE (BORDE LARGO)/SHORT EDGE (BORDE CORTO)</p> <p>Si selecciona LONG EDGE (BORDE LARGO), las páginas se imprimirán en ambas caras del papel de encuadernación a lo largo del borde largo.</p> <p>Si selecciona SHORT EDGE (BORDE CORTO), las páginas se imprimirán en ambas caras del papel de encuadernación a lo largo del borde corto.</p> <p>La opción especificada en el controlador de la impresora tendrá prioridad sobre esta opción del menú.</p>
COPIES (COPIAS)			<p>1-9999</p> <p>Especifique el número de copias que desee imprimir.</p> <p>La opción especificada en el controlador de la impresora tendrá prioridad sobre esta opción del menú.</p>

Elementos	Opciones (predeterminadas en negrilla)/Descripción
COLLATE (INTERCALAR)*5	<p>ON (ACTIVADO)/OFF (DESACTIVADO)</p> <p>Si selecciona ON (ACTIVADO), todas las páginas del documento se imprimirán antes de que se imprima la copia siguiente.</p> <p>Si selecciona OFF (DESACTIVADO), todas las copias del documento no se imprimirán por separado.</p> <p>La opción especificada en el controlador de la impresora tendrá prioridad sobre esta opción del menú.</p>

*1 Estos elementos solamente aparecerán si se ha instalado un casete de papel de 500 hojas opcional.

*2 Dependiendo de la opción seleccionada para **SYS DEFAULT MENU (MENU SIST PREDET)/PAPER (PAPEL)/UNIT OF MEASURE (UNIDAD MEDIDA)**, **PHOTO 4x6 (FOTO 4x6)** puede cambiar a **PHOTO 10x15 (FOTO 10x15)**.

*3 Estos elemento solamente aparecerán si **PAPER SIZE (TAMARO PAPEL)** se establece a **CUSTOM (PERSONALIZ.)**.

*4 Este elemento solamente aparecerá en Epson AcuLaser C3900DN.

*5 Este elemento solamente aparecerá si se ha instalado un disco duro opcional.

QUALITY MENU (MENU CALIDAD)

Con este menú, podrá especificar las opciones para la calidad de impresión.

Nota:

Si **SYS DEFAULT MENU (MENU SIST PREDET)/SECURITY (SEGURIDAD)/LOCK PANEL (BLOQUEAR PANEL)** se establece a **ON (ACTIVADO)**, habrá que introducir la contraseña a fin de que se visualice el contenido de **QUALITY MENU (MENU CALIDAD)**. Con respecto a los detalles sobre **LOCK PANEL (BLOQUEAR PANEL)**, consulte “**SYS DEFAULT MENU (MENU SIST PREDET)**” de la página 48.

Elementos	Opciones (predeterminadas en negrilla)/Descripción
COLOR MODE (MODO COLOR)	<p>COLOR/GRAYSCALE (ESCALA DE GRISES)</p> <p>Si selecciona COLOR, las páginas se imprimirán a pleno color.</p> <p>Si selecciona GRAYSCALE (ESCALA DE GRISES), las páginas se imprimirán en blanco y negro.</p> <p>Nota: La opción de modo de color especificada en el controlador de la impresora tendrá prioridad sobre la opción especificada para este menú.</p>
BRIGHTNESS (BRILLO)	<p>-15%/-10%/-5%/0%/+5%/+10%/+15%</p> <p>El brillo de la imagen impresa podrá ajustarse.</p>

Elementos		Opciones (predeterminadas en negrilla)/Descripción
HALFTONE (SEMITONO)	IMAGE PRINTING (IMPRESIÓN IMAGEN)/TEXT PRINTING (IMPRESIÓN TEXTO)/GRAPHICS PRINTING (IMPRES. GRAFICOS)	LINE ART (ARTE DE LINEA)/ DETAIL (DETALLE) /SMOOTH (SUAVE) (para imagen) LINE ART (ARTE DE LINEA) /DETAIL (DETALLE)/SMOOTH (SUAVE) (para texto/gráficos)
		<p>Seleccione cómo se reproducirán los semitonos en la imagen/texto/gráficos.</p> <p>Si selecciona LINE ART (ARTE DE LINEA), los medios tonos se reproducirán con gran precisión.</p> <p>Si selecciona DETAIL (DETALLE), los medios tonos se reproducirán con detalle.</p> <p>Si selecciona SMOOTH (SUAVE), los semitonos se reproducirán con suavidad.</p>
EDGE ENHANCEMENT (OPTIMIZ BORDE)*1	IMAGE PRINTING (IMPRESIÓN IMAGEN)/TEXT PRINTING (IMPRESIÓN TEXTO)/GRAPHICS PRINTING (IMPRES. GRAFICOS)	ON (ACTIVADO)/ OFF (DESACTIVADO) (para imagen) ON (ACTIVADO) /OFF (DESACTIVADO) (para texto/gráficos)
		<p>Seleccione si desea enfatizar los bordes de las imágenes/texto/gráficos.</p> <p>Si selecciona ON (ACTIVADO), los bordes se enfatizarán.</p> <p>Si selecciona OFF (DESACTIVADO), los bordes no se enfatizarán.</p>
EDGE STRENGTH (INTENSID BORDE)		OFF (DESACTIVADO)*1/ LOW (BAJA) / MIDDLE (MEDIA) /HIGH (ALTA)
		Seleccione el valor deseado de enfatización de los bordes.
ECONOMY PRINT (IMPRES ECONOM)		ON (ACTIVADO)*1/ OFF (DESACTIVADO)
		Seleccione si desea imprimir gráficos con una densidad reducida reduciendo la cantidad de tóner utilizado.

Elementos		Opciones (predeterminadas en negrilla)/Descripción	
PCL SETTING (AJUSTE DE PCL)	CONTRAST (CONTRASTE)	-15%/-10%/-5%/0%/+5%/+10%/+15%	
		El contraste de la imagen impresa podrá ajustarse.	
	IMAGE PRINTING (IMPRESIÓN IMAGEN)/TEXT PRINTING (IMPRESIÓN TEXTO)/GRAPHICS PRINTING (IMPRES. GRÁFICOS)	RGB SOURCE (ORIGEN RVA)	DEVICE COLOR (DISPOSITIVO)/sRGB Especifique el espacio de color para los datos de imagen/texto/gráficos RGB. Si selecciona <code>DEVICE COLOR (DISPOSITIVO)</code> , no se especificará espacio de color.
		RGB INTENT (INTENTO RVA)	VIVID (VÍVIDO)/PHOTOGRAPHIC (FOTOGRAFICO) (para imagen) VIVID (VÍVIDO)/PHOTOGRAPHIC (FOTOGRAFICO) (para texto/gráficos) Especifique la característica aplicada cuando los datos de imagen/texto/gráficos RGB se conviertan a datos de CMAK. Si selecciona <code>VIVID (VÍVIDO)</code> , se producirá una salida vívida. Si selecciona <code>PHOTOGRAPHIC (FOTOGRAFICO)</code> , se producirá una salida más brillante.
		RGB GRAY (GRIS RVA)	COMPOSITE BLACK (NEGRO COMPUESTO)/BLACK AND GRAY (NEGRO Y GRIS)/BLACK ONLY (SÓLO NEGRO) (para imagen) COMPOSITE BLACK (NEGRO COMPUESTO)/BLACK AND GRAY (NEGRO Y GRIS)/BLACK ONLY (SÓLO NEGRO) (para texto/gráficos) Especifique la forma en la que desee que se reproduzcan el negro y los grises en los datos de imagen/texto/gráficos RGB. Si selecciona <code>COMPOSITE BLACK (NEGRO COMPUESTO)</code> , el negro se reproducirá utilizando los colores CMYK. Si selecciona <code>BLACK AND GRAY (NEGRO Y GRIS)</code> , el negro y el gris se reproducirán utilizando solamente el negro. Si selecciona <code>BLACK ONLY (SÓLO NEGRO)</code> , el negro se reproducirá utilizando solamente el negro.

Elementos			Opciones (predeterminadas en negrilla)/Descripción
PS SETTING (AJUSTE DE PS)	IMAGE PRINTING (IMPRESIÓN IMAGEN)/TEXT PRINTING (IMPRESIÓN TEXTO)/GRAPHICS PRINTING (IMPRES. GRÁFICOS)	RGB SOURCE (ORIGEN RVA)	<p>DEVICE COLOR (DISPOSITIVO)/sRGB/Apple RGB (RVA Apple)/Adobe RGB (1998) (RVA Adobe (1998))/ColorMatch RGB (Ajuste de color RVA)/Blue Adjust RGB (Ajuste de azul RVA)</p> <p>Especifique el espacio de color para los datos de imagen/texto/gráficos RGB.</p> <p>Si selecciona DEVICE COLOR (DISPOSITIVO), no se especificará espacio de color.</p> <p>Los perfiles de fuente de RGB descargados con Web-Based EpsonNet Config están disponibles como RGB SOURCE (ORIGEN RVA).</p>
		RGB INTENT (INTENTO RVA)	<p>VIVID (VÍVIDO)/PHOTOGRAPHIC (FOTOGRAFICO)/RELATIVE COLOR (COLOR RELATIVO)/ABSOLUTE COLOR (COLOR ABSOLUTO) (para imagen)</p> <p>VIVID (VÍVIDO)/PHOTOGRAPHIC (FOTOGRAFICO)/RELATIVE COLOR (COLOR RELATIVO)/ABSOLUTE COLOR (COLOR ABSOLUTO) (para texto/gráficos)</p> <p>Especifique la característica aplicada cuando los datos de imagen/texto/gráficos RGB se conviertan a datos de CMYK.</p> <p>Si selecciona VIVID (VÍVIDO), se producirá una salida vívida.</p> <p>Si selecciona PHOTOGRAPHIC (FOTOGRAFICO), se producirá una salida más brillante.</p> <p>Si selecciona RELATIVE COLOR (COLOR RELATIVO), se aplicará el color relativo al perfil de fuente de RGB.</p> <p>Si selecciona ABSOLUTE COLOR (COLOR ABSOLUTO), se aplicará el color absoluto al perfil de fuente de RGB.</p>

Elementos		Opciones (predeterminadas en negrilla)/Descripción
	RGB GRAY (GRIS RVA)	<p>COMPOSITE BLACK (NEGRO COMPUESTO)/BLACK AND GRAY (NEGRO Y GRIS)/BLACK ONLY (SÓLO NEGRO) (para imagen)</p> <p>COMPOSITE BLACK (NEGRO COMPUESTO)/BLACK AND GRAY (NEGRO Y GRIS)/BLACK ONLY (SÓLO NEGRO) (para texto/gráficos)</p> <p>Especifique la forma en la que desee que se reproduzcan el negro y los grises en los datos de imagen/texto/gráficos RGB.</p> <p>Si selecciona COMPOSITE BLACK (NEGRO COMPUESTO), el negro se reproducirá utilizando los colores CMYK.</p> <p>Si selecciona BLACK AND GRAY (NEGRO Y GRIS), el negro y el gris se reproducirán utilizando solamente el negro.</p> <p>Si selecciona BLACK ONLY (SÓLO NEGRO), el negro se reproducirá utilizando solamente el negro.</p>
	DESTINATION PROF (PERFIL DESTINO)	<p>AUTO (Auto)</p> <p>Especifique el perfil de destino.</p> <p>Si selecciona AUTO (AUTOMATICO), se seleccionará un perfil de destino que la impresora adaptará automáticamente basándose en una combinación de la adaptación de color, semitonos, y otros perfiles.</p> <p>Los perfiles de destino descargados con Web-Based Epson-Net Config están disponibles como DESTINATION PROF (PERFIL DESTINO).</p>
SIMULATION (SIMULACIÓN)	SIMULATION PROF (PERFIL SIMUL.)	<p>NONE (NINGUNO)/SWOP/Euroscale/Commercial Press/Japan Color/TOYO/DIC</p> <p>Especifique el perfil de simulación.</p> <p>Si selecciona NONE (NINGUNO), no se especificará perfil de simulación.</p> <p>Los perfiles de simulación descargados con Web-Based EpsonNet Config están disponibles como SIMULATION PROF (PERFIL SIMUL.).</p>
	SIMULATION INTENT (INTENTO SIMUL.)	<p>RELATIVE COLOR (COLOR RELATIVO)/ABSOLUTE COLOR (COLOR ABSOLUTO)</p> <p>Especifique la característica del perfil de simulación.</p>

Elementos			Opciones (predeterminadas en negrilla)/Descripción
		CMYK GRAY (CMYK GRIS)	<p>COMPOSITE BLACK (NEGRO COMPUESTO)/BLACK AND GRAY (NEGRO Y GRIS)/BLACK ONLY (SÓLO NEGRO)</p> <p>Especifique la forma en la que desee que se reproduzcan el negro y los grises utilizando los cuatro colores CMYK.</p> <p>Si selecciona COMPOSITE BLACK (NEGRO COMPUESTO), el negro se reproducirá utilizando los colores CMYK.</p> <p>Si selecciona BLACK AND GRAY (NEGRO Y GRIS), el negro y el gris se reproducirán utilizando solamente el negro.</p> <p>Si selecciona BLACK ONLY (SÓLO NEGRO), el negro se reproducirá utilizando solamente el negro.</p>
CALIBRA- TION (Cali- bración)	TONE CALIBRATION (CALIBRACION TO- NO)		<p>ON (ACTIVADO)/OFF (DESACTIVADO)</p> <p>Si selecciona ON (ACTIVADO), se aplicarán los ajustes de imagen.</p> <p>Si selecciona OFF (DESACTIVADO), no se aplicarán los ajustes de imagen.</p>
	AIDC PROCESS (PROCESO AIDC)		<p>EXECUTE (EJECUTAR)/CANCEL (CANCELAR)</p> <p>Si selecciona EXECUTE (EJECUTAR), los ajustes de imagen se realizarán inmediatamente.</p> <p>Si selecciona CANCEL (CANCELAR), no se realizarán ajustes de imagen.</p> <p>Nota: La función AIDC PROCESS (PROCESO AIDC) consume tóner.</p>
	CMYK DENSITY (DENS. DE CMAN)	CYAN (CIANO)/ MAGEN- TA/YE- LLOW (AMARI- LLO)/ BLACK (NEGRO)	HIGH- LIGHT (ACEN- TUA- CIÓN)/ MIDDLE (MEDIA)/ SHADOW (SOM- BRA)
			<p>-3/-2/-1/0/+1/+2/+3</p> <p>La densidad del color de realce/medio/sombra en las imágenes podrá ajustarse.</p>

Elementos	Opciones (predeterminadas en negrilla)/Descripción
COLOR SEPARATION (SEPARACION COLOR)	ON (ACTIVADO)/ OFF (DESACTIVADO) Si selecciona ON (ACTIVADO), se realizará la separación de colores. El contenido de una página en color se separa en páginas en color para amarillo, magenta, cian, y negro, y cada una se imprime con gradaciones de negro como páginas individuales. El orden de impresión es amarillo, magenta, cian, y después negro.

*1 Si EDGE STRENGTH (INTENSID BORDE) se establece a OFF (DESACTIVADO), o ECONOMY PRINT (IMPRES ECONOM) se establece a ON (ACTIVADO), los bordes no podrán enfatizarse.

MEMORY DIRECT

Con este menú, las opciones para la función “Memory Direct” podrán especificarse.

Con respecto a los detalles sobre Memory Direct, consulte “Memory Direct ” de la página 62.

Nota:

- Este menú solamente aparecerá si se ha instalado un disco duro opcional, y INTERFACE MENU (MENU INTERFAZ)/MEMORY DIRECT se establece a ENABLE (HABILITAR).
- Menú no aparecerá si no se ha permitido el acceso de usuario público a través de las opciones de autenticación. Con respecto a los detalles sobre las opciones de autenticación, consulte la Guía de Referencia.
- Si SYS DEFAULT MENU (MENU SIST PREDET)/SECURITY (SEGURIDAD)/LOCK PANEL (BLOQUEAR PANEL) se establece a ON (ACTIVADO), habrá que introducir la contraseña a fin de que se visualice el contenido de MEMORY DIRECT. Con respecto a los detalles sobre LOCK PANEL (BLOQUEAR PANEL), consulte “SYS DEFAULT MENU (MENU SIST PREDET)” de la página 48.

Elementos	Opciones (predeterminadas en negrilla)/Descripción
LIST OF FILES (LISTA ARCHIVOS)*1	<p>Seleccione el archivo al que quiera dar salida, y después pulse la tecla Menu/Select.</p> <p>Si el archivo que desea imprimir está en una carpeta, seleccione la carpeta, y después pulse la tecla Menu/Select.</p> <p>Nota: Podrán visualizarse un máximo de 99 carpetas y archivos. Las carpetas vacías no se visualizarán.</p>

Elementos		Opciones (predeterminadas en negrilla)/Descripción
	LETTER (CARTA)/A4*2	LETTER (CARTA), LEGAL, EXECUTIVE (EJECUTIVO), A4 , A5, A6, B5(JIS), B6(JIS), GOVT LETTER (CARTA GOB), STATEMENT, FOLIO, SP FOLIO (FOLIO ESPEC.), UK QUARTO (CUARTO RU), FOOLSCAP, GOVT LEGAL (LEGAL GOB), 16K, PHOTO 4x6 (FOTO 4x6)*3, KAI 16, KAI 32, ENV C6 (SOBRE C6), ENV DL (SOBRE DL), ENV MONARCH (SOBRE MONAR), ENV CHOU#3 (SOBRE CHOU#3), ENV CHOU#4 (SOBRE CHOU#4), B5(ISO), ENV #10 (SOBRE #10), JPOST (POSTAL JAP), JPOST-D (POSTAL JAP-D), 8 1/8x13 1/4, 8 1/2x13 1/2, CUSTOM (PERSONALIZ.)
		Cambie el tamaño del papel.
	DUPLEX*4	OFF (DESACTIVADO) /LONG EDGE (BORDE LARGO)/SHORT EDGE (BORDE CORTO)
		<p>Seleccione si desea realizar o no la impresión dúplex.</p> <p>Si selecciona OFF (DESACTIVADO), no se realizará la impresión dúplex.</p> <p>Si selecciona LONG EDGE (BORDE LARGO), la página se imprimirá en ambas caras del papel de encuadernación a lo largo del borde largo.</p> <p>Si selecciona SHORT EDGE (BORDE CORTO), la página se imprimirá en ambas caras del papel de encuadernación a lo largo del borde corto.</p>
	COPIES (COPIAS)	1-9999
		Especifique el número de copias que desee imprimir.
	COLLATE (INTER-CALAR)*5	ON (ACTIVADO)/OFF (DESACTIVADO)
		Seleccione si desea intercalar copias.
TYPE OF FILES (TIPO DE ARCHIVOS)		PDF,XPS,JPEG,TIFF/PDF,XPS
		Seleccione el tipo de archivos que desee visualizar.

*1 Este elemento aparecerá cuando haya un dispositivo de memoria USB enchufado en el puerto de memoria USB.

*2 Este elemento no aparecerá si el archivo seleccionado es un archivo PDF y XPS.

*3 Dependiendo de la opción seleccionada para SYS DEFAULT MENU (MENU SIST PREDET)/PAPER (PAPEL)/UNIT OF MEASURE (UNIDAD MEDIDA), PHOTO 4x6 (FOTO 4x6) puede cambiar a PHOTO 10x15 (FOTO 10x15).

*4 Este elemento solamente aparecerá en Epson AcuLaser C3900DN.

*5 Este elemento solamente aparecerá si se ha instalado un disco duro opcional.

INTERFACE MENU (MENU INTERFAZ)

Con este menú, las opciones de interfaz podrán especificarse.

Nota:

- ❑ Después de cambiar las opciones en el menú ETHERNET, reinicie la impresora.
- ❑ Si SYS DEFAULT MENU (MENU SIST PREDET)/SECURITY (SEGURIDAD)/LOCK PANEL (BLOQUEAR PANEL) se establece a ON (ACTIVADO), habrá que introducir la contraseña a fin de que se visualice el contenido de INTERFACE MENU (MENU INTERFAZ). Con respecto a los detalles sobre LOCK PANEL (BLOQUEAR PANEL), consulte “SYS DEFAULT MENU (MENU SIST PREDET)” de la página 48.

Elementos			Opciones (predeterminadas en negrilla)/Descripción
JOB TIMEOUT (PLAZO DE DATOS)			5 seconds (5 segundos)- 15 seconds (15 segundos) -300 seconds (300 segundos) Especifique el intervalo de espera de plazo para un trabajo de impresión que esté recibándose.
ETHERNET	TCP/IP	ENABLE (Habilitar)	YES (SI)/NO
		IP ADDRESS (DIRECCIÓN IP)*1	000.000.000.000 Establezca la dirección de IP para esta impresora en la red. Si la dirección de IP se especifica manualmente, DHCP, BOOTP y ARP/PING se establecerán automáticamente a OFF (DESACTIVADO).
		SUBNET MASK (MASCARA SUBRED)*1	000.000.000.000 Especifique la máscara de subred para la red.
		DEFAULT GATEWAY (GATEWAY PREDET)*1	000.000.000.000 Especifique la dirección de IP del enrutador si hay uno en la red.
		DHCP*1	ON (ACTIVADO)/OFF (DESACTIVADO) Seleccione el adquirir automáticamente o no la dirección de IP.
		BOOTP*1	ON (ACTIVADO)/OFF (DESACTIVADO) Seleccione el adquirir automáticamente o no la dirección de IP.

Elementos		Opciones (predeterminadas en negrilla)/Descripción
	ARP/PING*1	ON (ACTIVADO)/ OFF (DESACTIVADO) Seleccione el adquirir automáticamente o no la dirección de IP.
	HTTP*1	ENABLE (HABILITAR) YES (SI)/NO
	FTP*1	ENABLE (HABILITAR) YES (SI)/NO
	TELNET*1	ENABLE (HABILITAR)/ DISABLE (DESHABILITAR) Seleccione el habilitar o inhabilitar las transmisiones Telnet.
	BON-JOUR*1	ENABLE (HABILITAR) YES (SI)/NO
	DYNAMIC DNS (DNS DINAMICO)*1	ENABLE (HABILITAR) YES (SI)/NO
	IPP*1*2	ENABLE (HABILITAR) YES (SI)/NO
	RAW PORT (PUERTO RAW)*1	ENABLE (HABILITAR) YES (SI)/NO
		BIDIRECTIO-NAL (BIDIRECCIONAL)*3 ON (ACTIVADO)/OFF (DESACTIVADO) Si selecciona ON (ACTIVADO), se habilitarán las transmisiones del puerto Raw. Si selecciona OFF (DESACTIVADO), se inhabilitarán las transmisiones del puerto Raw.
	SLP*1	ENABLE (HABILITAR) YES (SI)/NO
	SMTP*1	ENABLE (HABILITAR) YES (SI)/NO

Elementos			Opciones (predeterminadas en negrilla)/Descripción
	SNMP*1	ENABLE (HABILITAR)	YES (SI)/NO
	WSD PRINT (IMPRIMIR WSD)*1	ENABLE (HABILITAR)	YES (SI)/NO
	IPSEC*1	ENABLE (HABILITAR)	YES (SI)/ NO
	IP ADDRESS FILTER (FILTRO DIRECC IP)*1	ACCESS PERMISSION (PERMISO DE ACCESO)	ENABLE (HABILITAR)/ DISABLE (DESHABILITAR) Selecione el habilitar o inhabilitar la concesión de acceso.
		ACCESS REFUSE (RECHAZO DE ACCESO)	ENABLE (HABILITAR)/ DISABLE (DESHABILITAR) Selecione el habilitar o inhabilitar el bloqueo de acceso.
	IPv6*1	ENABLE (HABILITAR)	YES (SI)/NO
		AUTO SETTING (AUTO CONFIG)*4	YES (SI)/NO Si selecciona YES (SI) , se habilitará la configuración automática de IPv6.
		LINK LOCAL (ENLACE LOCAL)*4	Visualiza la dirección de enlace local.
		GLOBAL ADDRESS (DIRECCIÓN GLOBAL)*4	Visualiza la dirección global.
		GATEWAY ADDRESS (DIRECCIÓN GATEWAY)*4	Visualiza la dirección Gateway.
	NETWARE	ENABLE (HABILITAR)	YES (SI)/ NO
	APPLE-TALK	ENABLE (HABILITAR)	YES (SI)/NO

Elementos		Opciones (predeterminadas en negrilla)/Descripción
	SPEED/DUPLEX (VELOC/DUPLEX)	AUTO (AUTOMATICO) /10BASE FULL (10BASE COMPLETO)/10BASE HALF (10BASE MEDIO)/100BASE FULL (100BASE COMPL.)/100BASE HALF (100BASE MEDIO)/1000BASE FULL (1000BASE COMPL.)
		Especifique la velocidad de transmisión para la red y el método de transmisión para transmisión bidireccional.
	IEEE802.1 X	ENABLE (HABILITAR) YES (SI)/ NO
MEMORY DIRECT*5		ENABLE (HABILITAR) /DISABLE (DESHABILITAR)
		Seleccione el habilitar o inhabilitar la impresión directa desde la memoria.

*1 Estos elementos aparecerán cuando INTERFACE MENU (MENU INTERFAZ)/ETHERNET/TCP/IP/ENABLE (HABILITAR) se establece a YES (SI).

*2 Si HTTP/ENABLE (HABILITAR) se establece a NO, IPP no podrá establecerse.

*3 Este elemento aparecerá cuando INTERFACE MENU (MENU INTERFAZ)/ETHERNET/TCP/IP/RAW PORT (PUERTO RAW)/ENABLE (HABILITAR) se establece a YES (SI).

*4 Estos elementos aparecerán cuando INTERFACE MENU (MENU INTERFAZ)/ETHERNET/TCP/IP/IPV6/ENABLE (HABILITAR) se establece a YES (SI).

*5 Este elemento solamente aparecerá si se ha instalado un disco duro opcional.

SYS DEFAULT MENU (MENU SIST PREDET)

Con este menú, podrán especificarse opciones para ajustar la operación de la impresora, tales como el idioma del panel de la ventana de mensajes y el tiempo hasta que la máquina entre en el modo de ahorro de energía.

Nota:

Si SYS DEFAULT MENU (MENU SIST PREDET)/SECURITY (SEGURIDAD)/LOCK PANEL (BLOQUEAR PANEL) se establece a ON (ACTIVADO), habrá que introducir la contraseña a fin de que se visualice el contenido de SYS DEFAULT MENU (MENU SIST PREDET). Con respecto a los detalles sobre LOCK PANEL (BLOQUEAR PANEL), consulte "SYS DEFAULT MENU (MENU SIST PREDET)" de la página 48.

Elementos		Opciones (predeterminadas en negrilla)/Descripción
LANGUAGE (Language)		<p>ENGLISH/FRANÇAIS/DEUTSCH/ESPAÑOL/ITALIANO/PORTUGUÉS/ČEŠTINA/한국어/繁體中文/NEDERLANDS/РУССКИЙ/POLSKI/TÜRKÇE</p> <p>Seleccione el idioma de los menús y mensajes que aparecen en la ventana de mensajes.</p>
EMULACION (EMULACION)	DEF. EMULATION (EMULACION POR DEF)	<p>AUTO (AUTOMATICO)/POSTSCRIPT/PCL</p> <p>Especifique el idioma de emulación de la impresora. Si selecciona AUTO (AUTOMATICO), la impresora seleccionará automáticamente el idioma de emulación de la impresora del flujo de datos.</p>
	POSTSCRIPT	<p>WAIT TIMEOUT (ESPERAR PLAZO)</p> <p>0-300</p> <p>Especifique el tiempo hasta que un error se determine como error PostScript. Si selecciona 0, no se realizará la espera de plazo.</p>
		<p>PS ERROR PAGE (PAGINA ERROR PS)</p> <p>ON (ACTIVADO)/OFF (DESACTIVADO)</p> <p>Seleccione si desea que se imprima o no un error de página cuando ocurra un error de Postscript.</p>
	PS PROTOCOL (PROTOCOLO PS)	<p>AUTO (AUTOMATICO)/NORMAL/BINARY (BINARIO)</p> <p>Especifique el protocolo para las transmisiones de datos con un flujo de datos PostScript. Si selecciona AUTO (AUTOMATICO), la impresora seleccionará automáticamente un protocolo aplicable del flujo de datos.</p>
	AUTO TRAPPING (TRAPPING AUTOMÁT.)	<p>ON (ACTIVADO)/OFF (DESACTIVADO)</p> <p>Seleccione si desea o no que los colores adyacentes se impriman superpuestos en orden para evitar espacio en blanco alrededor de las imágenes.</p>

Elementos		Opciones (predeterminadas en negrilla)/Descripción	
		BLACK OVERPRINT (SOBREIMPRESIÓN NEGRO)	<p>TEXT/GRAPHIC (TEXTO/GRAFICO), TEXT (TEXTO)/OFF (DESACTIVADO)</p> <p>Seleccione si desea o no que los objetos negros se impriman (superpuestos) en un color adyacente en orden para evitar espacio en blanco alrededor de los caracteres o cifras negros.</p> <p>Si selecciona TEXT/GRAPHIC (TEXTO/GRAFICO), la impresión superpuesta se aplicará al texto y a los gráficos.</p> <p>Si selecciona TEXT (TEXTO), la impresión superpuesta se aplicará al texto.</p>
PCL		CR/LF MAPPING	<p>CR=CR LF=LF/CR=CRLF LF=LF/CR=CR LF=LFCR/CR=CRLF LF=LFCR</p> <p>Seleccione las definiciones de los códigos CR/LF en el lenguaje PCL.</p>
		LINES PER PAGE (LINEAS POR PAGIN)	<p>5-60-128</p> <p>Especifique el número de líneas por página en el lenguaje PCL.</p>
	FONT SOURCE (ORIGEN FUENTES)	FONT NUMBER (NUMERO FUENTE)	<p>0-102</p> <p>Especifique la fuente predeterminada en el lenguaje PCL.</p> <p>Los números de fuente que aparecen corresponden a la lista de fuentes PCL. Con respecto a los detalles sobre la impresión de la lista de fuentes, consulte "PRINT MENU (MENU IMPRESION)" de la página 32.</p>
		PITCH SIZE (TAMAÑO PITCH) (POINT SIZE (TAMAÑO PUNTOS))	<p>0.44-10.00-99.99(4.00-12.00-999.75)</p> <p>Especifique el tamaño de fuente en el lenguaje PCL.</p> <p>Si el FONT NUMBER (NUMERO FUENTE) seleccionado es para una fuente de mapa de bits, aparecerá PITCH SIZE (TAMAÑO PITCH). Si el FONT NUMBER (NUMERO FUENTE) seleccionado es para una fuente de contorno, aparecerá POINT SIZE (TAMAÑO PUNTOS).</p>
		SYMBOL SET (CONJUNTO DE SIMB)	<p>Especifique el conjunto de símbolos utilizado con el lenguaje PCL.</p> <p>La opción predeterminada es PC8.</p>

Elementos			Opciones (predeterminadas en negrilla)/Descripción
	XPS*1	DIGITAL SIGNATURE (FIRMA DIGITAL)	ENABLE (HABILITAR)/DISABLE (DESHABILITAR) Seleccione el habilitar o inhabilitar las firmas digitales de XPS.
		XPS ERROR PAGE (PAGINA ERROR XPS)	ON (ACTIVADO)/OFF (DESACTIVADO) Seleccione si desea que se imprima o no un informe de error después de que ocurra un error de XPS.

Elementos			Opciones (predeterminadas en negrilla)/Descripción
PAPER (PAPEL)	DEFAULT PAPER (PAPEL PREDET)	PAPER SIZE (TAMAÑO PAPEL)	<p>LETTER (CARTA), LEGAL, EXECUTIVE (EJECUTIVO), A4, A5, A6, B5(JIS), B6(JIS), GOVT LETTER (CARTA GOB), STATEMENT, FOLIO, SP FOLIO (FOLIO ESPEC.), UK QUARTO (CUARTO RU), FOOLSCAP, GOVT LEGAL (LEGAL GOB), 16K, PHOTO 4x6 (FOTO 4x6)*2, KAI 16, KAI 32, ENV C6 (SOBRE C6), ENV DL (SOBRE DL), ENV MONARCH (SOBRE MONAR), ENV CHOU#3 (SOBRE CHOU#3), ENV CHOU#4 (SOBRE CHOU#4), B5(ISO), ENV #10 (SOBRE #10), JPOST (POSTAL JAP), JPOST-D (POSTAL JAP-D), 8 1/8x13 1/4, 8 1/2x13 1/2, CUSTOM (PERSONALIZ.)</p> <p>Seleccione el tamaño de papel que utilice normalmente.</p>
		CUSTOM SIZE (TAMAÑO PERSONAL)	<p>Especifique el tamaño del papel cuando PAPER SIZE (TAMAÑO PAPEL) se establezca a CUSTOM (PERSONALIZ.).</p> <p>Las unidades de las opciones podrán cambiarse entre milímetros y pulgadas con la opción SYS DEFAULT MENU (MENU SIST PREDET)/PAPER (PAPEL)/UNIT OF MEASURE (UNIDAD MEDIDA).</p> <p>La gama de la opción para WIDTH (ANCHO) es 92 a 216 mm. La opción predeterminada es 210 mm.</p> <p>La gama de la opción para LENGTH (LONGITUD) es 148 a 356 mm. La opción predeterminada es 297 mm.</p>
	PAPER TYPE (TIPO PAPEL)	<p>PLAIN PAPER (PAPEL SIMPLE)/RECYCLED (RECICLADO)/THICK 1 (GRUESO 1)/THICK 2 (GRUESO 2)/LABEL (ETIQUETA)/ENVELOPE (SOBRE)/POSTCARD (TARJ POSTAL)/LETTERHEAD (PAPEL MEMBR.)/GLOSSY 1 (BRILLANTE 1)/GLOSSY 2 (BRILLANTE 2)/SGL SIDE ONLY (SÓLO UNA CARA)/SPECIAL PAPER (PAPEL ESPECIAL)</p> <p>Seleccione el tipo de papel que utilice normalmente.</p>	
		UNIT OF MEASURE (UNIDAD MEDIDA)	<p>INCHES (PULGADAS)/MILLIMETERS (MILÍMETROS)</p> <p>Las unidades para especificar el tamaño de papel personalizado podrán cambiarse entre milímetros y pulgadas.</p>

Elementos		Opciones (predeterminadas en negrilla)/Descripción
GRAYSCALE PAGE (PAG ESCALA GRIS)		<p>AUTO (AUTOMATICO)/GRAYSCALE PRINT (IMPR ESCALA GRIS)/COLOR PRINT (IMPR EN COLOR)</p> <p>Especifique la operación que desee realizar para las páginas en blanco y negro en un trabajo especificado para impresión en color.</p> <p>Si selecciona AUTO (AUTOMATICO), la impresora determinará si los datos son en color o en blanco y negro antes de imprimirlos.</p> <p>Si selecciona GRAYSCALE PRINT (IMPR ESCALA GRIS), la impresión en blanco y negro se realizará dependiendo de cada página. En algunos casos puede reducir la velocidad de impresión, pero reducirá el consumo de cartuchos de tóner de color y de la unidad fotoconductora.</p> <p>Si selecciona COLOR PRINT (IMPR EN COLOR), se realizará la impresión en color, incluso para una página en blanco y negro.</p>
STARTUP OPTIONS (OPCIONES INICIALES)	DO STARTUP PAGE (EFECT PAG INIC)	<p>ON (ACTIVADO)/OFF (DESACTIVADO)</p> <p>Seleccione si desea que se imprima o no una página inicial cuando encienda la impresora.</p>
	AUTO CONTINUE (Continua. Auto)	<p>ON (ACTIVADO)/OFF (DESACTIVADO)</p> <p>Seleccione si desea que la impresión continúe o no si el tamaño o el tipo del papel de la bandeja seleccionada es diferente del tamaño o el tipo del papel para el trabajo de impresión.</p> <p>Si AUTO CONTINUE (AUTOCONTINUAR) se establece a ON (ACTIVADO), la impresión continuará automáticamente después de unos 10 segundos en las condiciones siguientes. En este caso, la impresión se realizará incluso aunque el tamaño del papel sea diferente.</p> <p>Si papel: PAPER EMPTY (PAPEL VACÍO)/TRAY EMPTY ("Mensajes de error (Llamada al operador)" de la página 154)</p> <p>Tamaño/tipo de papel diferente: PAPER ERROR (ERROR PAPEL)/TRAY X PAPER ERR (ERR. PAP. BAND X) ("Mensajes de error (Llamada al operador)" de la página 154)</p>

Elementos	Opciones (predeterminadas en negrilla)/Descripción
HOLD JOB TIMEOUT (TIMEOUT MANT DAT)	<p>DISABLE (DESHABILITAR)/1 hour (1 hora)/4 hours (4 horas)/1 day (1 día)/1 week (1 semana)</p> <p>Especifique el intervalo de tiempo hasta que se borren los trabajos de impresión almacenados en el disco duro. Si selecciona DISABLE (DESHABILITAR), los trabajos de impresión no se borrarán a una hora específica.</p>
ENERGY SAVER TIME (TIEMP AHOR ENER)	<p>5 minutes (5 minutos)/6 minutes (6 minutos)/7 minutes (7 minutos)/8 minutes (8 minutos)/9 minutes (9 minutos)/10 minutes (10 minutos)/11 minutes (11 minutos)/12 minutes (12 minutos)/13 minutes (13 minutos)/14 minutes (14 minutos)/15 minutos (15 minutos)/30 minutes (30 minutos)/1 hour (1 hora)/3 hours (3 horas)</p> <p>Especifique el intervalo de tiempo hasta que la máquina entre en el modo de ahorro de energía.</p>
MENU TIMEOUT (TIMEOUT MENUS)	<p>OFF (DESACTIVADO)/1 minute (1 minuto)/2 minutos (2 minutos)</p> <p>Especifique el intervalo de tiempo hasta que se visualice la pantalla de estado cuando no se realice ninguna operación mientras en la ventana de mensajes esté visualizándose un menú o pantalla de ayuda. Si selecciona OFF (DESACTIVADO), no ocurrirá la espera de plazo.</p>
LCD CONTRAST (Contraste LCD)	<p>-3/-2/-1/0/+1/+2/+3</p> <p>Ajuste el contraste de la ventana de mensajes.</p> <p>La opción de nivel más oscuro es -3 y la opción de nivel más brillante es +3.</p>

Elementos		Opciones (predeterminadas en negrilla)/Descripción
SECURITY (SEGURIDAD)	CHANGE PASSWORD (CAMBIAR CLAVE)	<p>Especifique la contraseña para bloquear el panel de control.</p> <p>Si la contraseña se establece a 0000 (valor predet.), el panel de control no se bloquea. Para bloquear el panel de control, cerciórese de especificar una contraseña que no sea 0000.</p>
	LOCK PANEL (BLOQUEAR PANEL)	<p>OFF (DESACTIVADO)/MINIMUM (MINIMO)/ON (ACTIVADO)</p> <p>Especifique cómo bloquear el panel de control.</p> <p>Si selecciona OFF (DESACTIVADO), el panel de control no se bloqueará.</p> <p>Si selecciona MINIMUM (MINIMO), INTERFACE MENU (MENU INTERFAZ) y SYS DEFAULT MENU (MENU SIST PREDET) estarán protegidos con una contraseña.</p> <p>Si selecciona ON (ACTIVADO), todos los menús estarán protegidos con una contraseña.</p> <p>Para bloquear el panel de control, cerciórese de especificar una contraseña que no sea 0000.</p>
CLOCK (RELOJ)	DATE (DD.MM.YY) (FECHA (DD.MM.AA))	Especifique la fecha para el reloj interno de la impresora.
	TIME (HORA)	Especifique la hora para el reloj interno de la impresora.
	TIME ZONE (ZONA HORARIA)	-12:00-00:00+13:00
HDD FORMAT (FORMATO HDD)*3	USER AREA ONLY (SOLO AREA USUAR)	Inicialice el área de usuario del disco duro. Cuando seleccione este menú, la impresora se reiniciará automáticamente.
	ALL (TODOS)	Inicialice el disco duro. Cuando seleccione este menú, la impresora se reiniciará automáticamente.

Elementos		Opciones (predeterminadas en negrilla)/Descripción	
RESTORE DE-FAULTS (RESTAURAR PRED)	RESTORE NETWORK (RESTAURAR RED)	Restablezca la configuración de red a la predeterminada. Cuando seleccione este menú, la impresora se reiniciará automáticamente.	
	RESTORE PRINTER (RESTAUR IMPRSORA)	Restablezca la configuración de la impresora a la predeterminada. Cuando seleccione este menú, la impresora se reiniciará automáticamente.	
	RESTORE ALL (RESTAURAR TODO)	Restablezca la configuración a la predeterminada. Cuando seleccione este menú, la impresora se reiniciará automáticamente.	
ENABLE WARNING (AVISAR ACTIVADO)	PAPER EMPTY (PAPEL VACÍO)	TRAY1 (Bandeja1)	ON (ACTIVADO)/OFF (DESACTIVADO) Seleccione si desea que aparezca o no un mensaje de advertencia cuando se agote el papel de la bandeja 1.
		TRAY2 (Bandeja2)	ON (ACTIVADO)/OFF (DESACTIVADO) Seleccione si desea que aparezca o no un mensaje de advertencia cuando se agote el papel de la bandeja 2.
		TRAY3 (BAND3)*4	ON (ACTIVADO)/OFF (DESACTIVADO) Seleccione si desea que aparezca o no un mensaje de advertencia cuando se agote el papel de la bandeja 3.
	TONER LOW (Tóner bajo)	ON (ACTIVADO)/OFF (DESACTIVADO) Seleccione si desea que aparezca o no una advertencia cuando el tóner esté a punto de agotarse.	
		ON (ACTIVADO)/OFF (DESACTIVADO) Seleccione si desea que aparezca o no una advertencia cuando la unidad fotoconductora esté a punto de alcanzar el fin de su duración útil.	
	P/U LOW (UD. FOT. BAJA)	ON (ACTIVADO)/OFF (DESACTIVADO) Seleccione si desea que aparezca o no una advertencia cuando la unidad fotoconductora esté a punto de alcanzar el fin de su duración útil.	
		ON (ACTIVADO)/OFF (DESACTIVADO) Seleccione si desea que aparezca o no una advertencia cuando la unidad fotoconductora esté a punto de alcanzar el fin de su duración útil.	

*1 Este elemento solamente aparecerá si se ha instalado un disco duro opcional.

*2 Dependiendo de la opción seleccionada para SYS DEFAULT MENU (MENU SIST PREDET)/PAPER (PAPEL)/UNIT OF MEASURE (UNIDAD MEDIDA), PHOTO 4x6 (FOTO 4x6) puede cambiar a PHOTO 10x15 (FOTO 10x15).

*3 Estos elementos solamente aparecerán si se ha instalado un disco duro opcional.

*4 Este elemento solamente aparecerá si se ha instalado un casete de papel de 500 hojas opcional.

MAINTENANCE MENU (MENU MANTENIMIEN)

Con este menú, podrá realizarse el mantenimiento de esta impresora.

Para utilizar este menú, habrá que introducir la contraseña de administrador.

Elementos			Opciones (predeterminadas en negrilla)/Descripción
PRINT MENU (MENU IMPRESION)	EVENT LOG (PROTOC.EVENTO)		PRINT (IMPRIMIR)/CANCEL (CANCELAR) Imprime el registro de eventos.
	HALFTONE 64 (SEMITO-NO 64)	CYAN 64 (CIANO 64)/MAGENTA 64/YELLOW 64 (AMARILLO 64)/BLACK 64 (NEGRO 64)	PRINT (IMPRIMIR)/CANCEL (CANCELAR) Imprime el patrón de medios tonos utilizando una densidad del 25% para cada color CMYK.
	HALFTONE 128 (SEMITO-NO 128)	CYAN 128 (CIANO 128)/MAGENTA 128/YELLOW 128 (AMARILLO 128)/BLACK 128 (NEGRO 128)	PRINT (IMPRIMIR)/CANCEL (CANCELAR) Imprime el patrón de medios tonos utilizando una densidad del 50% para cada color CMYK.
	HALFTONE 256 (SEMITO-NO 256)	CYAN 256 (CIANO 256)/MAGENTA 256/YELLOW 256 (AMARILLO 256)/BLACK 256 (NEGRO 256)	PRINT (IMPRIMIR)/CANCEL (CANCELAR) Imprime el patrón de medios tonos utilizando una densidad del 100% para cada color CMYK.
	GRADATION (GRADUACIÓN)		PRINT (IMPRIMIR)/CANCEL (CANCELAR) Imprime el patrón de gradación.
	ALIGNMENT (ALINEAMIENTO)	TOP ADJUSTMENT (AJUSTE SUPERIOR)	PLAIN PAPER (PAPEL SIMPLE)/THICK (GRUESO)/THICK 2 (GRUESO 2)/ENVELOPE (SOBRE)
LEFT ADJUSTMENT (AJUSTE IZQ)		LEFT ADJ TRAY1 (AJUST IZQ BAND1)/LEFT ADJ TRAY2 (AJUST IZQ BAND2)/LEFT ADJ TRAY3 (AJUST IZQ BAND3)	-15-15 Ajusta el margen izquierdo del papel alimentado desde la bandeja 1/2/3 para impresión simple (una cara).
LEFT ADJ DUPLEX (AJUST IZQ DUPLEX)*1		LEFT ADJ TRAY1 (AJUST IZQ BAND1)/LEFT ADJ TRAY2 (AJUST IZQ BAND2)/LEFT ADJ TRAY3 (AJUST IZQ BAND3)	-15-15 Ajusta el margen izquierdo del papel alimentado desde la bandeja 1/2/3 para impresión dúplex (dos caras).

Elementos			Opciones (predeterminadas en negrilla)/Descripción
TRANSFER POWER (TRANS ENERGIA)	SIMPLEX PASS (PASO SIMPLEX)	PLAIN PAPER (PAPEL SIMPLE)/THICK 1 (GRUESO 1)/THICK 2 (GRUESO 2)/POSTCARD (TARJ POSTAL)/ENVELOPE (SOBRE)/LABEL (ETIQUETA)/GLOSSY 1 (BRILLANTE 1)/GLOSSY 2 (BRILLANTE 2)	-8-7 Ajusta la segunda salida de transferencia de imagen (ATVC) para impresión simple (una cara) de papel normal/papel grueso 1/papel grueso 2/tarjetas postales/sobres/etiquetas/papel satinado 1/papel satinado 2.
	MANUAL DUPLEX (DUPLEX MANUAL)	PLAIN PAPER (PAPEL SIMPLE)/THICK 1 (GRUESO 1)/THICK 2 (GRUESO 2)/POSTCARD (TARJ POSTAL)/ENVELOPE (SOBRE)/LABEL (ETIQUETA)/GLOSSY 1 (BRILLANTE 1)/GLOSSY 2 (BRILLANTE 2)	-8-7 Ajusta la segunda salida de transferencia de imagen (ATVC) para impresión dúplex (dos caras) de papel normal/papel grueso 1/papel grueso 2/tarjetas postales/sobres/etiquetas/papel satinado 1/papel satinado 2.
IMG ADJ THICK (AJUSTIMAGRUES)	CYAN (CIANO)/MAGENTA/YELLOW (AMARILLO)/BLACK (NEGRO)		-5-0-5 Ajusta finamente la densidad del cian/magenta/amarillo/negro para imágenes impresas en papel grueso.
IMG ADJ BLACK (AJUSTIMAGNEGRO)			-2-0-2 Ajustar finamente la densidad de imágenes impresas para impresión en escala de grises.

Elementos		Opciones (predeterminadas en negrilla)/Descripción
	FINE LINE ADJ (AJUSTE LÍNEA FINA)	-3-0-2
		Ajuste cómo se reproducen las líneas finas cambiando la tensión aplicada (VC) al rodillo electrostático.
	AIDC MODE (MODO AIDC)	MODE 1 (MODO 1)/ MODE 2 (MODO 2)
		Seleccione el modo de operación AIDC. MODE 1 (MODO 1): Modo estándar MODE 2 (MODO 2): Modo bajo
	THICK MODE (MODO GRUESO)	QUALITY MODE (MODO CALIDAD)/SPEED MODE (MODO VELOCIDAD)
		<p>Para evitar que el tóner se atasque dentro de la unidad de revelado como resultado de impulsarse a media velocidad, seleccione la temporización para impulsar la unidad de revelado a plena velocidad durante un tiempo fijo cuando se esté alimentando papel grueso.</p> <p>QUALITY MODE (MODO CALIDAD): Mientras se está imprimiendo en papel grueso, la impresión se detiene periódicamente, y la unidad de revelado se impulsa a plena velocidad durante un tiempo fijo. Como la impresión se detiene, la calidad no se ve afectada; sin embargo, ocurre un tiempo de espera de aproximadamente 70 segundos cada 400 segundos o así de la operación a media velocidad.</p> <p>SPEED MODE (MODO VELOCIDAD): Mientras se está imprimiendo en papel grueso, solamente el impulsor de la unidad de revelado cambia automáticamente a plena velocidad durante un tiempo fijo. Como la impresión continúa durante la impulsión a plena velocidad, la calidad de impresión se ve ligeramente afectada, sin embargo el tiempo de espera es corto.</p>

Elementos			Opciones (predeterminadas en negrilla)/Descripción
MAIN SCAN ADJUST (AJUST DIGIT PRINC)	MAIN SCAN PAGE (PÁG DIGITAL PRINC)		PRINT (IMPRIMIR)/CANCEL (CANCELAR) Imprima el patrón de prueba para el ajuste fino de las proporciones de colores en la dirección principal de digitalización.
	SCAN ADJUST VALUE (VALOR AJUST DIGIT)	YELLOW (AMARILLO)/MAGENTA/CYAN (CIANO)	42 - 0 - -42 Ajuste finamente la proporción del amarillo/magenta/cian en la dirección principal de digitalización.
SUPPLIES (SUMINISTROS)	REPLACE (CAMBIAR)	FUSER UNIT (UNIDAD FUSIÓN)	YES (SI)/NO Restablece el contador de la unidad de fusión.

Elementos		Opciones (predeterminadas en negrilla)/Descripción
QUICK SETTING (CONFIGUR RÁPIDA)*2	UPDATE SETTING (ACTUALIZ CONFIG)	<p>EXECUTE (EJECUTAR)/CANCEL (CANCELAR)</p> <p>Actualice la configuración de la impresora de acuerdo con el archivo de definición de configuración de la impresora guardado en el dispositivo de memoria USB.</p> <p>Si selecciona EXECUTE (EJECUTAR), la configuración de la impresora se actualizará.</p> <p>Si selecciona CANCEL (CANCELAR), la configuración no se actualizará.</p>
	BACKUP SETTING (COPIA DE CONFIG)	<p>EXECUTE (EJECUTAR)/CANCEL (CANCELAR)</p> <p>Guarde, como archivo de definición, la información de configuración actual de la impresora en el dispositivo de memoria USB.</p> <p>Si selecciona EXECUTE (EJECUTAR), la configuración de la impresora se guardará en el dispositivo de memoria USB.</p> <p>Si selecciona CANCEL (CANCELAR), la configuración no se guardará.</p>
	BACKUP TYPE (TIPO DE BACKUP)	<p>ALL (TODOS)/NETWORK (RED)/PRINTER (IMPRESORA)</p> <p>Seleccione la configuración que desee guardar en el dispositivo de memoria USB.</p> <p>Si selecciona ALL (TODOS), la configuración de la impresora y la configuración de la red se guardarán en el dispositivo de memoria USB.</p> <p>Si selecciona NETWORK (RED), la configuración de la red se guardará en el dispositivo de memoria USB.</p> <p>Si selecciona PRINTER (IMPRESORA), la configuración de la impresora se guardará en el dispositivo de memoria USB.</p>

*1 Este elemento solamente aparecerá en Epson AcuLaser C3900DN.

*2 Este elemento aparecerá cuando haya un dispositivo de memoria USB enchufado en el puerto de memoria USB.

Capítulo 4

Memory Direct

Memory Direct

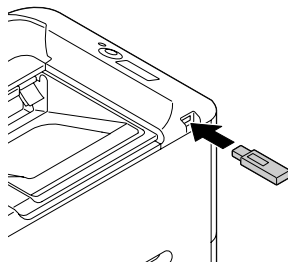
Los archivos PDF, XPS, JPEG y TIFF almacenados en dispositivos de memoria USB podrán imprimirse enchufando el dispositivo de memoria USB en la impresora.

Nota:

- ❑ *Memory Direct solamente podrá utilizarse si se ha instalado un disco duro opcional.*
- ❑ *Los dispositivos de memoria USB cifrados no son compatibles.*
- ❑ *Con respecto a los detalles sobre la especificación de las opciones con el panel de control, consulte “MEMORY DIRECT” de la página 43.*

Impresión desde un dispositivo de memoria USB conectado

1. Enchufe el dispositivo de memoria USB en el puerto de memoria USB.
El icono de USB aparecerá en la esquina superior derecha de la ventana de mensajes, y aparecerá el menú MEMORY DIRECT.



Nota:

Aunque SYS DEFAULT MENU (MENU SIST PREDET)/SECURITY (SEGURIDAD)/LOCK PANEL (BLOQUEAR PANEL) se haya establecido a ON (ACTIVADO), no se requerirá una contraseña para el menú que aparece cuando se inserte el dispositivo de memoria USB.

2. Seleccione LIST OF FILES (LISTA ARCHIVOS), y después pulse la tecla **Menu/Select**.

Nota:

Cuando se visualicen todos los archivos (PDF, XPS, JPEG y TIFF), seleccione **TYPE OF FILES** (TIPO DE ARCHIVOS), y después pulse la tecla **Menu/Select**.

3. Desde la lista de archivos, seleccione el archivo que quiera imprimir, y después pulse la tecla **Menu/Select**.
Si el archivo que desea imprimir está en una carpeta, seleccione la carpeta, y después pulse la tecla **Menu/Select**.

Nota:

- Podrán visualizarse un máximo de 99 carpetas y archivos.
 - Podrán visualizarse hasta 8 niveles de carpetas.
4. Seleccione **PRINT** (IMPRIMIR), y después pulse la tecla **Menu/Select**.
Cuando finalice la impresión, volverá a aparecer la pantalla de estado.

Nota:

- Podrán especificarse opciones para el tamaño del papel, impresión dúplex (C3900DN solamente), número de copias e intercalación.
- No desenchufe el dispositivo de memoria USB del puerto de memoria USB durante la impresión directa desde la memoria.

Capítulo 5

Manipulación del papel

Papel de impresión

Especificaciones

Papel	Tamaño del papel		Bandeja *1	Dúplex*2 (dos caras)
	Pulgadas	Milímetros		
Carta	8,5 x 11,0	215,9 x 279,4	1/2/3	Sí
Legal	8,5 x 14,0	215,9 x 355,6	1/3	Sí
Informe	5,5 x 8,5	139,7 x 215,9	1/2	No
Ejecutivo	7,25 x 10,5	184,2 x 266,7	1/2/3	Sí
A4	8,2 x 11,7	210,0 x 297,0	1/2/3	Sí
A5	5,9 x 8,3	148,0 x 210,0	1/2	No
A6	4,1 x 5,8	105,0 x 148,0	1/2	No
B5 (JIS)	7,2 x 10,1	182,0 x 257,0	1/2/3	Sí
B6	5,0 x 7,2	128,0 x 182,0	1/2	No
Folio	8,25 x 13,0	210,0 x 330,0	1	Sí
Folio SP	8,5 x 12,69	215,9 x 322,3	1	Sí
Foolscap	8,0 x 13,0	203,2 x 330,2	1	Sí
UK Quarto	8,0 x 10,0	203,2 x 254,0	1/2	Sí
Government Letter	8,0 x 10,5	203,2 x 266,7	1/2	Sí
Government Legal	8,5 x 13,0	215,9 x 330,2	1/3	Sí
Tamaño foto 4" x 6"/10 x 15	4,0 x 6,0	101,6 x 152,4	1/2	No
16 K	7,7 x 10,6	195,0 x 270,0	1/2	Sí
Kai 16	7,3 x 10,2	185,0 x 260,0	1/2	Sí

Papel	Tamaño del papel		Bandeja ^{*1}	Dúplex ^{*2} (dos caras)
	Pulgadas	Milímetros		
Kai 32	5,1 x 7,3	130,0 x 185,0	1/2	No
8 1/2 x 13 1/2	8,5 x 13,5	215,9 x 342,9	1	Sí
8 1/8 x 13 1/4	8,125 x 13,25	206,4 x 336,6	1	Sí
Tarjeta postal japonesa	3,9 x 5,8	100,0 x 148,0	1	No
Tarjeta postal japonesa D	5,8 x 7,9	148,0 x 200,0	1	No
B5 (ISO)	6,9 x 9,8	176,0 x 250,0	1	No
Sobre #10	4,125 x 9,5	104,8 x 241,3	1	No
Sobre DL	8,7 x 4,3	220,0 x 110,0	1	No
Sobre C6	6,4 x 4,5	162,0 x 114,0	1	No
Sobre Monarch	7,5 x 3,875	190,5 x 98,4	1	No
Sobre Chou #3	4,7 x 9,2	120,0 x 235,0	1	No
Sobre Chou #4	3,5 x 8,1	90,0 x 205,0	1	No
Tam. pers.	3,6-8,5 x 5,8-14,0	92,0-216,0 x 148,0-356,0	1 ^{*3}	Sí ^{*4}
Tam. pers.	3,6-8,5 x 5,8-11,7	92,0-216,0 x 148,0-297,0	2	Sí ^{*5}

*1 Bandeja 1 = Bandeja de alimentación manual
Bandeja 3 = Casete de papel de 500 hojas (opcional)

*2 Epson AcuLaser C3900DN solamente

*3 Aunque la anchura máxima soportada es de 216,0 mm (8,5"), el tamaño de Sobre DL (anchura: 220 mm (8,7")) puede alimentarse.

*4 El tamaño mínimo posible para impresión dúplex (dos caras) es 182,0 x 254,0 mm (7,2" x 10,0").
El tamaño máximo posible para impresión dúplex (dos caras) es 216,0 x 356,0 mm (8,5" x 14,0").

*5 El tamaño mínimo posible para impresión dúplex (dos caras) es 182,0 x 254,0 mm (7,2" x 10,0").
El tamaño máximo posible para impresión dúplex (dos caras) es 216,0 x 297,0mm (8,5" x 11,69").

Nota:

Para tamaños personalizados, utilice el controlador de la impresora para especificar las opciones dentro de las gamas mostradas en la tabla de la página anterior.

Tipos de papel

Mantenga el papel sobre una superficie nivelada en su envoltura original hasta el momento de cargarlo.

Nota:

Antes de adquirir un gran número de copias en papel especial (otro que no sea papel normal) realice una impresión de prueba para comprobar la calidad del resultado de la impresión.

Papel normal (Papel reciclado)

Capacidad	Bandeja 1	Hasta 100 hojas, dependiendo del peso del papel.
	Bandeja 2	Hasta 250 hojas, dependiendo del peso del papel.
	Bandeja 3	Hasta 500 hojas, dependiendo del peso del papel.
Orientación	Bandeja 1	Cara abajo
	Bandeja 2/3	Cara arriba
Tipo de papel del controlador	Plain Paper (Papel normal) (Recycled (Reciclado))	
Peso	60–90 g/m ²	
Duplexión	Con respecto a los tamaños compatibles, consulte “Papel de impresión” de la página 64.	

Utilice papel normal que

Sea adecuado para impresoras láser de papel normal, como papel estándar o papel de oficina reciclado.

NO utilice papel que

- Esté estucado con una superficie procesada (como papel carbón, o papel coloreado que haya sido tratado)
- Papel de transferencia con plancha no aprobado (como papel de presión térmica y papel de transferencia con presión térmica)
- Papel de transferencia con agua fría
- Sea sensible a la presión
- Diseñado específicamente para impresoras de chorro de tinta (como papel superfino, papel satinado, película satinada, y tarjetas postales)

- Papel que ya haya sido impreso
 - Papel que ya haya sido impreso con una impresora de chorro de tinta
 - Papel que ya haya sido impreso con una impresora/copiadora de láser monocroma/en color
 - Papel que ya haya sido impreso con una impresora de transferencia térmica
 - Papel que ya haya sido impreso con cualquier otra impresora o máquina de fax
- Esté polvoriento
- Esté mojado (o húmedo)

Nota:

Conserve el papel a una humedad relativa entre el 35% y 85%. El tóner no se adhiere bien al papel con humedad ni mojado.

- Esté estratificado
- Sea adhesivo
- Esté plegado, arrugado, rizado, en relieve, alabeado, o fruncido
- Esté perforado, taladrado con tres orificios, o roto
- Esté demasiado elaborado, demasiado tosco, o demasiado texturizado
- Tenga diferente en textura (aspereza) en el anverso y el reverso
- Sea demasiado fino o grueso
- Esté pegado con electricidad estática
- Esté compuesto de laminilla metálica o brillo superficial; demasiado luminoso
- Sea sensible al calor o que no pueda resistir la temperatura de fusión (205 °C [401 °F])
- Esté irregularmente formado (no rectangular o no cortado en ángulos rectos)
- Esté fijado con cola, cinta, presillas de papel, grapas, cintas, ganchos, o botones
- Sea ácido
- Cualquier otro papel no aprobado

Papel grueso

El papel más grueso de 90 g/m² se denomina papel grueso. Podrá imprimir continuamente con papel grueso. Sin embargo, esto puede afectar la alimentación del papel, dependiendo de la calidad del mismo y del entorno de impresión. Si ocurren problemas, detenga la impresión continua e imprima una hoja cada vez.

Capacidad	Bandeja 1/2	Hasta 20 hojas, dependiendo de su grosor.
	Bandeja 3	No compatible
Orientación	Bandeja 1	Cara abajo
	Bandeja 2	Cara arriba
Tipo de papel del controlador	Thick 1 (Grueso 1) (91–150 g/m ²) Thick 2 (Grueso 2) (151–210 g/m ²)	
Peso	91–210 g/m ²	
Duplexión	Con respecto a los tamaños compatibles, consulte “Especificaciones” de la página 64	

Sobre

Imprima en el anverso (dirección) solamente. Algunas partes del sobre se componen de tres estratos de papel—el anverso, el reverso, y la solapa. Cualquier cosa impresa en estas regiones estratificadas pueden perder o desvanecerse.

Podrá imprimir continuamente con sobres. Sin embargo, esto puede afectar la alimentación del papel, dependiendo de la calidad del mismo y del entorno de impresión. Si ocurren problemas, detenga la impresión continua e imprima una hoja cada vez.

Capacidad	Bandeja 1	Hasta 10 hojas, dependiendo de su grosor
	Bandeja 2/3	No compatible
Orientación	Cara abajo	
Tipo de papel del controlador	Envelope (Sobre)	
Duplexión	No compatible	

Utilice sobres que

- Sean sobres de oficina comunes aprobados para impresión láser con juntas diagonales, pliegues y bordes agudos, y solapas engomadas normales.

Nota:

Como los sobres pasan a través de rodillos calentados, el área engomada de las solapas puede pegarse. La utilización de sobres con pegamento basado en emulsión evita este problema.

- Estén aprobadas para impresión láser
- Estén secos

NO utilice sobres que

- Tengan solapas pegajosas
- Tengan sellos de cinta, broches metálicos, presillas de papel, sujetadores, tiras despegables para sellado
- Tengan ventanas transparentes
- Tengan superficie demasiado áspera
- Tengan material que se funda, vaporice, desluzca, descolore, o emita humos peligrosos
- Hayan sido sellados previamente

Etiqueta

Una hoja de etiquetas se compone de una hoja frontal (la superficie de impresión), adhesivo, y una hoja portadora:

- La hoja frontal deberá cumplir las especificaciones del papel normal
- La superficie de la hoja frontal deberá cubrir toda la hoja portadora, y no deberá salir adhesivo a la superficie.

Podrá imprimir continuamente con hojas de etiquetas. Sin embargo, esto puede afectar la alimentación del papel, dependiendo de la calidad del mismo y del entorno de impresión. Si ocurren problemas, detenga la impresión continua e imprima una hoja cada vez.

Verifique la documentación de su aplicación para más información sobre la impresión de etiquetas.

Capacidad	Bandeja 1/2	Hasta 20 hojas, dependiendo de su grosor
	Bandeja 3	No compatible
Orientación	Bandeja 1	Cara abajo
	Bandeja 2	Cara arriba

Tipo de papel del controlador	Label (Etiqueta)
Duplexión	No compatible

Utilice hojas de etiquetas que

- Recomendados para impresoras láser

NO utilice hojas de etiquetas que

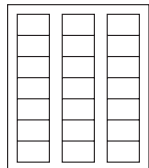
- Tengan etiquetas que se despeguen fácilmente o partes de la etiqueta que ya se haya desprendido
- Posean hojas de respaldo que se hayan despegado o con adhesivo expuesto

Nota:

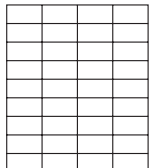
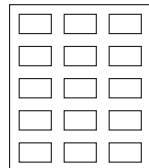
Las etiquetas pueden pegarse a la unidad de fijación, haciendo que se despeguen y que se produzca mala alimentación del papel.

- Estén previamente cortadas o taladradas

No utilice



Papel con fondo brillante



Se puede utilizar



Etiquetas de página completa (sin cortar)

Papel con membrete

Podrá imprimir continuamente papel con membrete. Sin embargo, esto puede afectar la alimentación del papel, dependiendo de la calidad del mismo y del entorno de impresión. Si ocurren problemas, detenga la impresión continua e imprima una hoja cada vez.

Pruebe primero imprimiendo datos en una hoja de papel normal para verificar la ubicación.

Capacidad	Bandeja 1/2	Hasta 20 hojas, dependiendo de su tamaño y grosor
	Bandeja 3	No compatible

Orientación	Bandeja 1	Cara abajo
	Bandeja 2	Cara arriba
Tipo de papel del controlador	Letterhead (Papel con membrete)	
Duplexión	No compatible	

Tarjeta postal

Podrá imprimir continuamente con tarjetas postales. Sin embargo, esto puede afectar la alimentación del papel, dependiendo de la calidad del mismo y del entorno de impresión. Si ocurren problemas, detenga la impresión continua e imprima una hoja cada vez.

Pruebe primero imprimiendo datos en una hoja de papel normal para verificar la ubicación.

Capacidad	Bandeja 1/2	Hasta 20 hojas, dependiendo de su grosor
	Bandeja 3	No compatible
Orientación	Bandeja 1	Cara abajo
	Bandeja 2	Cara arriba
Tipo de papel del controlador	Postcard (Tarjeta postal)	
Duplexión	No compatible	

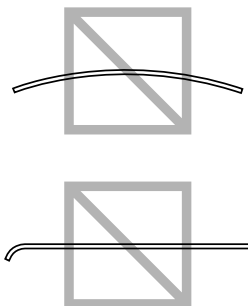
Utilice tarjetas postales que

- Estén aprobadas para impresoras láser

NO utilice tarjetas postales que

- Estén estucadas
- Estén diseñadas para impresoras de chorro de tinta
- Estén previamente cortadas o taladradas
- Estén previamente impresas o con múltiples colores

- ❑ Estén plegadas o arrugadas



Nota:

Si la tarjeta postal está alabeada, presione el área alabeada antes de ponerla en la bandeja.



Papel satinado

Podrá imprimir continuamente con papel satinado. Sin embargo, esto puede afectar la alimentación del papel, dependiendo de la calidad del mismo y del entorno de impresión. Si ocurren problemas, detenga la impresión continua e imprima una hoja cada vez.

Verifique la documentación de su aplicación para más información sobre la impresión en papel satinado.

Capacidad	Bandeja 1/2	Hasta 20 hojas, dependiendo de su grosor.
	Bandeja 3	No compatible
Orientación	Bandeja 1	Cara abajo
	Bandeja 2	Cara arriba
Tipo de papel del controlador	Glossy1 (Papel satinado1) (100–128 g/m ²) Glossy2 (Papel satinado2) (129–158 g/m ²)	
Peso	100–158 g/m ²	
Duplexión	No compatible	

Sólo una cara

Imprima en una cara solamente.

Podrá imprimir continuamente con papel de una cara solamente. Sin embargo, esto puede afectar la alimentación del papel, dependiendo de la calidad del mismo y del entorno de impresión. Si ocurren problemas, detenga la impresión continua e imprima una hoja cada vez.

Seleccione esta opción cuando el papel que no deba utilizarse con copia de dos caras (por ejemplo, cuando una cara ya haya sido impresa) esté cargado como papel normal con un peso de 60–90 g/m².

Capacidad	Bandeja 1	Hasta 100 hojas, dependiendo del peso del papel.
	Bandeja 2	Hasta 250 hojas, dependiendo del peso del papel.
	Bandeja 3	Hasta 500 hojas, dependiendo del peso del papel.
Orientación	Bandeja 1	Cara abajo
	Bandeja 2/3	Cara arriba
Tipo de papel del controlador	Single Side Only (Sólo una cara) (60–90 g/m ²)	
Peso	60–90 g/m ²	
Duplexión	No compatible	

Utilice papel de una cara solamente que

- Sea adecuado para impresoras láser de papel normal, como papel estándar o papel de oficina reciclado
- Sea papel normal que ya haya sido impreso con la misma impresora

NO utilice papel de una cara solamente que

- No esté aprobado para utilizarse como papel normal

Papel especial

Podrá imprimir continuamente con papel especial Sin embargo, esto puede afectar la alimentación del papel, dependiendo de la calidad del mismo y del entorno de impresión. Si ocurren problemas, detenga la impresión continua e imprima una hoja cada vez.

Seleccione esta opción cuando papel especial, por ejemplo, papel de alta calidad, esté cargado como papel normal con un peso de $60-90 \text{ g/m}^2$.

Capacidad	Bandeja 1	Hasta 100 hojas, dependiendo del peso del papel.
	Bandeja 2	Hasta 250 hojas, dependiendo del peso del papel.
	Bandeja 3	Hasta 500 hojas, dependiendo del peso del papel.
Orientación	Bandeja 1	Cara abajo
	Bandeja 2/3	Cara arriba
Tipo de papel del controlador	Special Paper (Papel especial) ($60-90 \text{ g/m}^2$)	
Peso	$60-90 \text{ g/m}^2$	
Duplexión	Con respecto a los tamaños compatibles, consulte "Papel de impresión" de la página 64.	

Utilice papel especial que

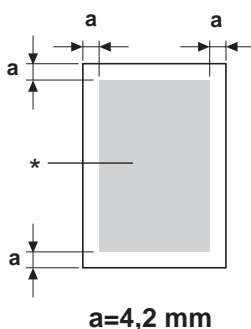
- Esté aprobado para impresoras láser

NO utilice papel especial que

- No esté aprobado para utilizarse como papel normal

Área imprimible

El área imprimible de todos los tamaños de papel es de hasta 4,2 mm de los bordes del papel.



* Área imprimible

Cada tamaño de papel posee un área imprimible específica (el área máxima en la que la impresora puede imprimir claramente y sin distorsión).

Esta área se somete tanto a los límites del hardware (el tamaño físico del papel y los márgenes requeridos por la impresora) como a las restricciones del software (cantidad de memoria disponible para el búfer de tramas de página completa). El área imprimible para todos los tamaños de papel es el tamaño de la página menos 4,2 mm desde todos los bordes del papel.

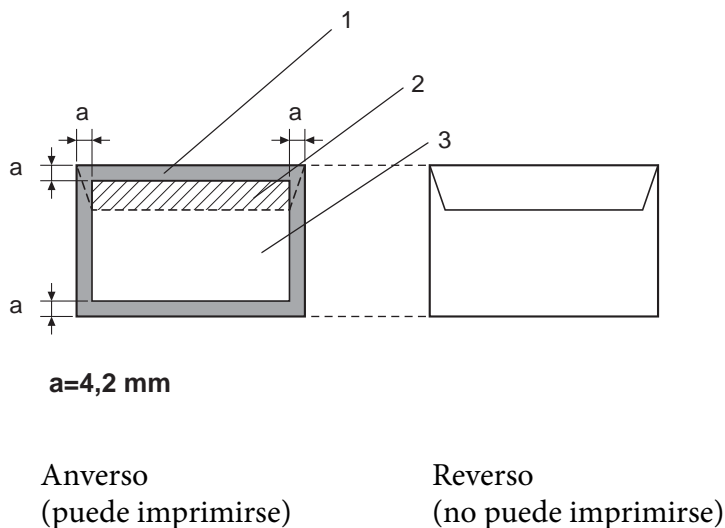
Nota:

Cuando imprima en papel de color de tamaño legal, se aplicarán las limitaciones siguientes.

- El área imprimible es de 347,2 mm del borde delantero del papel. (Sin embargo, no hay área imprimible hasta 4,2 mm del borde delantero.)
- El margen inferior es de 14,2 mm.

Sobres

Los sobres solamente podrán imprimirse en sus anversos (cara en la que se escribe la dirección del destinatario). Además, la impresión en el anverso en el área de superposición de la solapa posterior no puede garantizarse. La ubicación de esta área diferirá dependiendo del tipo de sobre.



1. Área no imprimible
2. Área de impresión no garantizada
3. Área de impresión garantizada

Nota:

La orientación de impresión del sobre se determina mediante su aplicación.

Márgenes de la página

Los márgenes se establecen mediante su aplicación. Algunas aplicaciones le permiten establecer tamaños de página y márgenes personalizados mientras que otras solamente se pueden elegir tamaños de papel y márgenes estándar. Si elige un formato estándar, puede perder parte de su imagen (debido a las restricciones del área imprimible). Si puede personalizar el tamaño de la página en su aplicación, utilice los tamaños con el área imprimible que ofrezcan los óptimos resultados.

Carga del papel**Nota:**

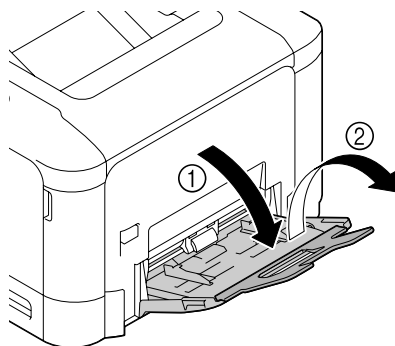
- ❑ No mezcle papel de tipos y tamaños diferentes, ya que esto causaría mala alimentación del papel o averías en la máquina.
- ❑ Los bordes del papel son agudos y pueden causar lesiones.

Cuando rellene papel, retire primero el restante de la bandeja. Apílelo con el nuevo papel, alinee los bordes, y vuelva a cargarlo.

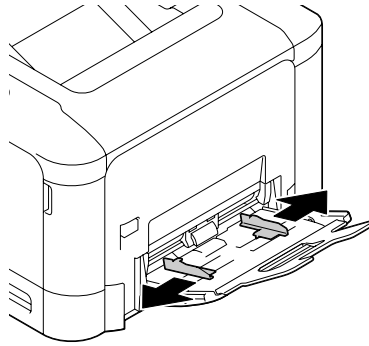
Bandeja 1 (bandeja de alimentación manual)

Con respecto a los detalles sobre los tipos y tamaños de papel que puede imprimirse desde la bandeja 1, consulte “Papel de impresión” de la página 64.

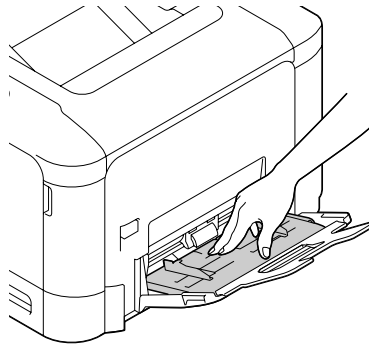
1. Abra la bandeja 1.



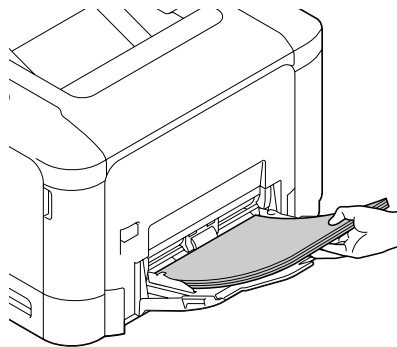
2. Deslice las las guías de papel para proporcionar más espacio entre ellas.



3. Presione el centro de la placa elevadora del papel hasta que las lengüetas izquierda y derecha (blancas) encajen en su lugar.

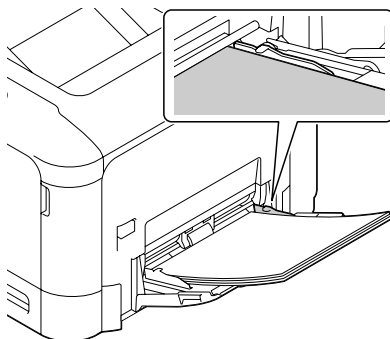


4. Cargue el papel encarado hacia abajo en la bandeja.

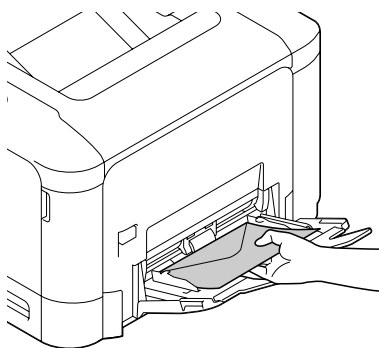


Nota:

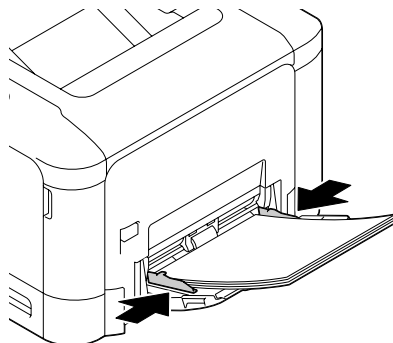
- ❑ *No cargue demasiado papel sobre la parte superior de la pila de forma que sobrepase la guía del límite máximo. En la bandeja podrá cargar hasta 100 hojas de papel normal (80 g/m² [22 libras]) a la vez.*



- ❑ *Con respecto a la capacidad máxima para cada fuente del papel, consulte “Tipos de papel” de la página 66.*
- ❑ *Antes de cargar sobres, presiónelos para asegurarse de eliminar todo el aire, y cerciórese de que las dobleces de las solapas estén firmemente presionadas; de lo contrario los sobres podrían arrugarse o quizás se alimentasen mal.*
- ❑ *Para sobres con las solapas en el borde largo (Sobre C6, Sobre Monarch, y Sobre DL), cargue los sobres con el lado de la solapa hacia arriba.*



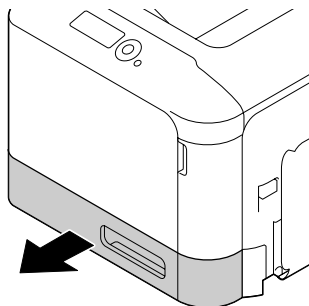
5. Deslice las guías de papel contra los bordes del papel.



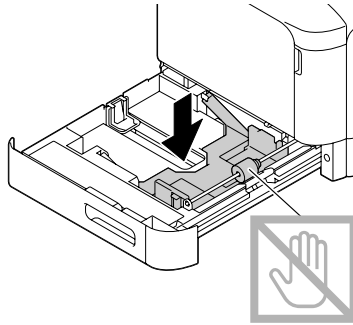
6. Seleccione PAPER MENU (MENU PAPEL)/PAPER SOURCE (FUENTE DE PAPEL)/TRAY 1 (BAND 1)/PAPER SIZE (TAMAÑO PAPEL) y PAPER TYPE (TIPO PAPEL) en el menú de configuración, y después seleccione las opciones para el tamaño y el tipo del papel que esté cargado. Consulte también “PAPER MENU (MENU PAPEL)” de la página 33.

Bandeja 2

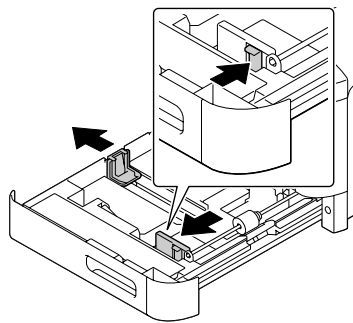
1. Tire de la bandeja 2.



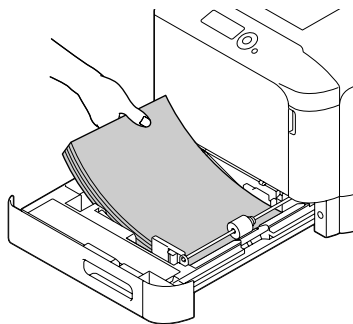
2. Presione hacia abajo la placa de presión del papel para bloquearla en su lugar.



3. Deslice las las guías de papel para proporcionar más espacio entre ellas.

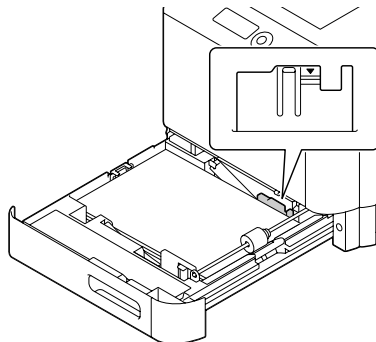


4. Cargue el papel encarado hacia arriba en la bandeja.



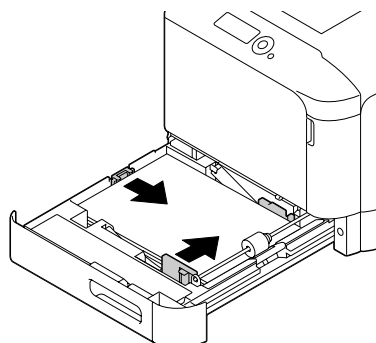
Nota:

- ❑ No cargue papel por encima de la marca ▼. En la bandeja podrá cargar hasta 250 hojas de papel normal (80 g/m² [22 libras]) a la vez.

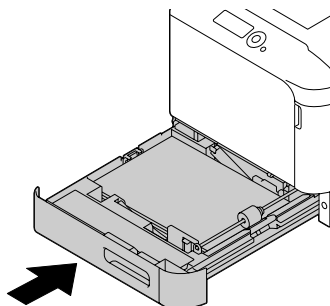


- ❑ Con respecto a la capacidad máxima para cada fuente del papel, consulte “Tipos de papel” de la página 66.

5. Deslice las guías de papel contra los bordes del papel.



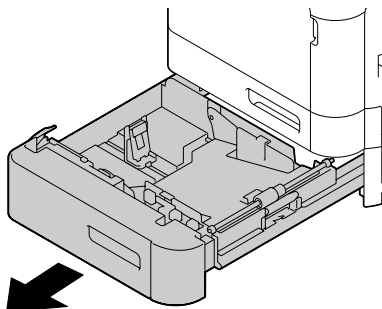
6. Cierre la bandeja 2.



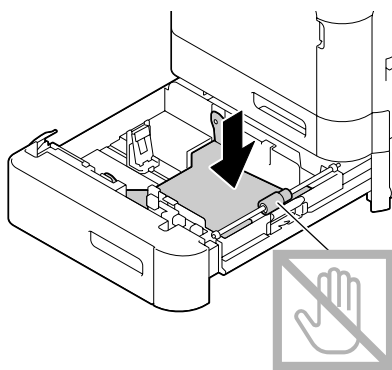
7. Seleccione PAPER MENU (MENU PAPEL)/PAPER SOURCE (FUENTE DE PAPEL)/TRAY 2 (BAND 2)/PAPER SIZE (TAMAÑO PAPEL) y PAPER TYPE (TIPO PAPEL) en el menú de configuración, y después seleccione las opciones para el tamaño y el tipo del papel que esté cargado. Consulte también “PAPER MENU (MENU PAPEL)” de la página 33.

Casete de papel de 500 hojas (Bandeja 3)

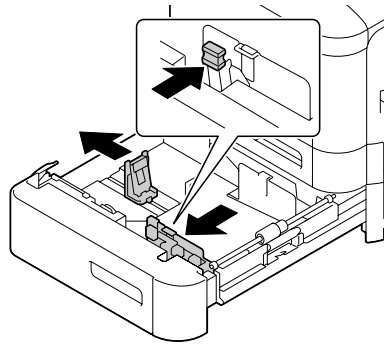
1. Tire de la bandeja 3.



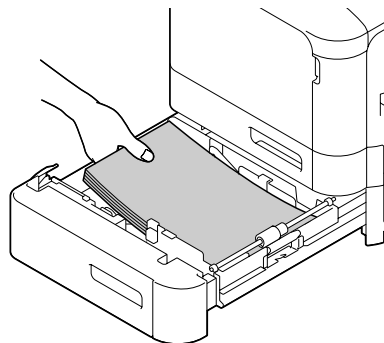
2. Presione hacia abajo la placa de presión del papel para bloquearla en su lugar.



3. Deslice las las guías de papel para proporcionar más espacio entre ellas.

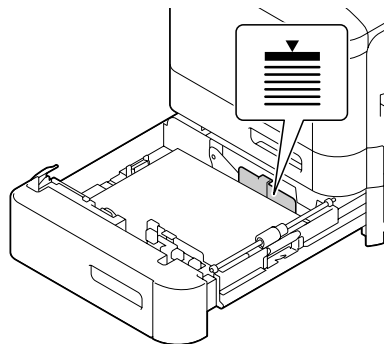


4. Cargue el papel encarado hacia arriba en la bandeja.

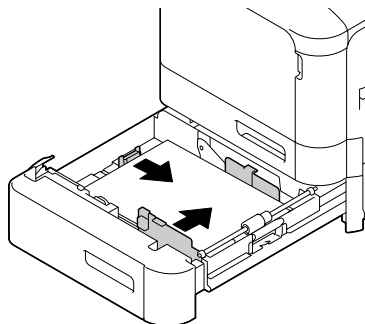


Nota:

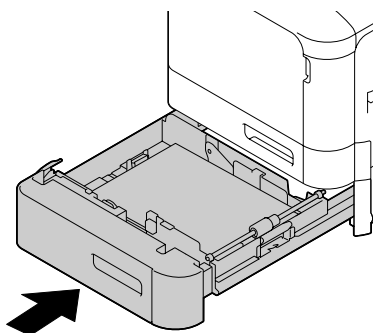
No cargue papel por encima de la marca ▼. En la bandeja podrá cargar hasta 500 hojas de papel normal (80 g/m² [22 libras]) a la vez.



- Deslice las guías de papel contra los bordes del papel.



- Cierre la bandeja 3.



- Seleccione **PAPER MENU (MENU PAPEL)/PAPER SOURCE (FUENTE DE PAPEL)/TRAY 3 (BAND 3)/PAPER TYPE (TIPO PAPEL)** en el menú de configuración, y después seleccione la opción para el tipo del papel que esté cargado. Consulte también “**PAPER MENU (MENU PAPEL)**” de la página 33.

Duplexión (Epson AcuLaser C3900DN solamente)

Seleccione papel con gran opacidad para impresión dúplex (dos caras). Opacidad se refiere a cómo el papel bloquea efectivamente lo escrito en la cara opuesta de la página. Si el papel posee baja opacidad (alta transparencia), los datos impresos de una cara de la página se mostrarán a través de la otra cara. Verifique su aplicación para la información de márgenes. Para obtener los mejores resultados, imprima una pequeña cantidad para asegurarse de que la opacidad sea aceptable.

Nota:

Solamente podrá autoduplexarse papel normal, papel especial y papel grueso, 60–210 g/m². Consulte “Papel de impresión” de la página 64.

No es posible la duplexión de sobres, papel con membrete, etiquetas, tarjetas postales papel satinado ni papel de sólo una cara.

Verifique su aplicación para determinar cómo establecer los márgenes para la impresión dúplex (a dos caras).

Están disponibles las opciones de Binding Position (Posición de encuadernado) siguientes.

<p>Diagrama que muestra una hoja de papel con el borde superior doblado hacia abajo. Se ven los números 1, 2 y 3 en las esquinas: 1 en la esquina superior izquierda, 2 en la esquina superior derecha y 3 en la esquina inferior derecha.</p>	<p>Si selecciona “Short Edge (Borde corto)”, las páginas se colocarán para voltearse en la parte superior.</p>
<p>Diagrama que muestra una hoja de papel con el borde izquierdo doblado hacia el interior. Se ven los números 1, 2 y 3 en las esquinas: 1 en la esquina superior izquierda, 2 en la esquina superior derecha y 3 en la esquina inferior derecha.</p>	<p>Si selecciona “Long Edge (Borde largo)”, las páginas se colocarán para voltearse en el lado.</p>

Además, si “N-up (Número-Arriba)” se establece a “Booklet (Boletín)”, se realizará la impresión con autoduplexión.

Cuando seleccione “Booklet (Boletín)”, estarán disponibles las opciones de Order (Orden) siguientes.

<p>Diagrama que muestra una hoja de papel doblada para formar un cuadernillo con encuadernación a la izquierda. Se ven los números 1, 2 y 3 en las esquinas: 1 en la esquina superior izquierda, 2 en la esquina superior derecha y 3 en la esquina inferior derecha.</p>	<p>Si selecciona “Left Binding (Encuadernado a la izquierda)”, las páginas podrá doblarse como un cuadernillo encuadernado a la izquierda.</p>
<p>Diagrama que muestra una hoja de papel doblada para formar un cuadernillo con encuadernación a la derecha. Se ven los números 1, 2 y 3 en las esquinas: 1 en la esquina superior izquierda, 2 en la esquina superior derecha y 3 en la esquina inferior derecha.</p>	<p>Si selecciona “Right Binding (Encuadernado a la derecha)”, las páginas podrá doblarse como un cuadernillo encuadernado a la derecha.</p>

1. Cargue el papel normal en la bandeja.

2. Desde el controlador de la impresora, especifique impresión dúplex (dos caras) (ficha Layout (Presentación) en Windows).
3. Haga clic en **OK (Aceptar)**.

Nota:

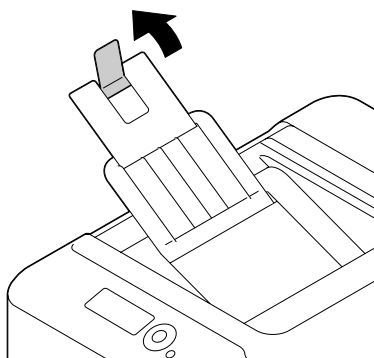
Con autoduplexión, se imprimirá primero el reverso, y después el anverso.

Bandeja de salida

Todo el papel se sale encarado hacia abajo a la bandeja de salida de la parte superior de la impresora. Esta bandeja tiene una capacidad de aproximadamente 200 hojas (A4/Carta) de papel de 80 g/m².

Nota:

- Si el papel se apila demasiado alto en la bandeja de salida, su impresora puede experimentar mala alimentación, papel excesivamente rizado, o el desarrollo de electricidad estática.
- Si el papel se riza o cae de la bandeja de salida cuando imprima papel grueso, extienda el retenedor del papel de la extensión de la bandeja antes de imprimir.



Almacenamiento del papel

- Mantenga el papel sobre una superficie nivelada en su envoltura original hasta el momento de cargarlo.

El papel que haya estado almacenado durante mucho tiempo fuera de su envoltura puede secarse demasiado y causar mala alimentación del papel.

- Si el papel se ha retirado de su envoltura, colóquelo en la envoltura original y guárdelo en un lugar fresco y oscuro sobre una superficie nivelada.

- ❑ Evite la humedad excesiva, la luz solar directa, el calor excesivo (más de 35°C [95°F]), y el polvo.
- ❑ Evite apoyar el papel contra otros objetos o colocarlo en posición vertical.

Antes de utilizar papel almacenado, realice una impresión de prueba para verificar la calidad de la impresión.

Capítulo 6

Sustitución de productos consumibles y piezas de mantenimiento

Nota:

- ❑ *El fallo en seguir las instrucciones de la forma descrita en este manual podría resultar en la anulación de su garantía.*
- ❑ *Si aparece un mensaje de error (REPLACE TONER (CAMBIAR TÓNER), FUSER UNIT (UNIDAD FUSIÓN) END OF LIFE (FIN DURACIÓN), etc.), imprima la página de configuración, y después verifique el estado de otros productos consumibles. Con respecto a los detalles sobre los mensajes de error, consulte “Mensajes de error (Advertencia)” de la página 152. Con respecto a los detalles sobre la impresión de la página de configuración, consulte “Impresión de una página de configuración” de la página 124.*

Acerca de los cartuchos de tóner

Su impresora utiliza cuatro cartuchos de tóner: negro, amarillo, magenta, y ciano. Maneje los cartuchos de tóner con cuidado para evitar que se derrame tóner en interior de la impresora o de usted mismo.

Nota:

- ❑ *Cuando reemplace cartuchos de tóner, instale solamente cartuchos nuevos. Si instalase un cartucho de tóner usado, la cantidad de tóner restante podría no aparecer correctamente.*
- ❑ *No abra innecesariamente el cartucho de tóner. Si el tóner se derrama, evite inhalarlo o que entre en contacto con su piel.*
- ❑ *Si el tóner entra en contacto con sus manos o ropa, lávelas inmediatamente con agua y jabón.*
- ❑ *Si inhaló tóner, vaya a una zona con aire fresco, y haga gárgaras a fondo con gran cantidad de agua. En condiciones tales como aparición de tos, solicite atención médica profesional.*
- ❑ *Si el tóner entra en contacto con sus ojos, láveselos inmediatamente con agua durante 15 minutos por lo menos. Si persiste cualquier irritación, solicite atención médica profesional.*
- ❑ *Si el tóner entra en su boca, enjuáguese a fondo, y después beba 1 o 2 vasos de agua. Si es necesario, solicite atención médica profesional.*
- ❑ *Guarde los cartuchos de tóner fuera del alcance de niños.*

Nota:

La utilización de cartuchos de tóner no genuinos puede resultar en rendimiento inestable. Además, cualquier daño causado por la utilización de cartuchos de tóner no genuinos no estará cubierto por la garantía, incluso aunque ocurra durante el período de garantía. (Aunque no es posible asegurar que la utilización de cartuchos de tóner no genuinos pueda causar daños, le recomendamos encarecidamente que utilice cartuchos de tóner genuinos.)

Tipo	Números de piezas
Cartucho de tóner (Amartillo)	0590
Cartucho de tóner (Magenta)	0591
Cartucho de tóner (Cian)	0592
Cartucho de tóner (Negro)	0593
Cartucho de tóner doble (Negro)	0594

Nota:

Para lograr la calidad de impresión y el rendimiento óptimos, utilice solamente cartuchos de tóner Epson genuinos del TIPO correspondiente.

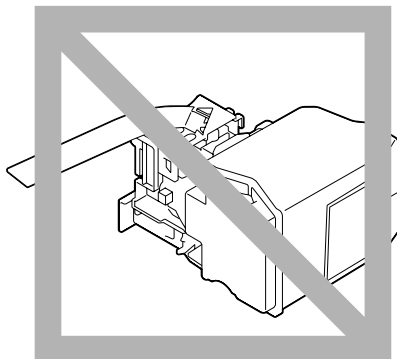
Mantenga los cartuchos de tóner:

- En su envoltura hasta que esté listo para instalarlos.
- En un lugar fresco y seco alejado de la luz solar (debido al calor).

La temperatura máxima de almacenamiento es de 35° C (95° F) y la humedad máxima del 85% (sin condensación). Si el cartucho de tóner se traslada de un lugar frío a otro cálido y húmedo, es posible que ocurra condensación, lo que degradará la calidad de impresión. Deje que el tóner se aclimate al entorno durante una hora aproximadamente antes de utilizarlo.

- Manténgalo a nivel durante el manejo y el almacenamiento.

No dé la vuelta a los cartuchos de tóner; el tóner del interior de los cartuchos podría endurecerse o distribuirse desigualmente.



- ❑ Aléjelos de aire salino y gases corrosivos, como los de aerosoles.

Sustitución de un cartucho de tóner

Nota:

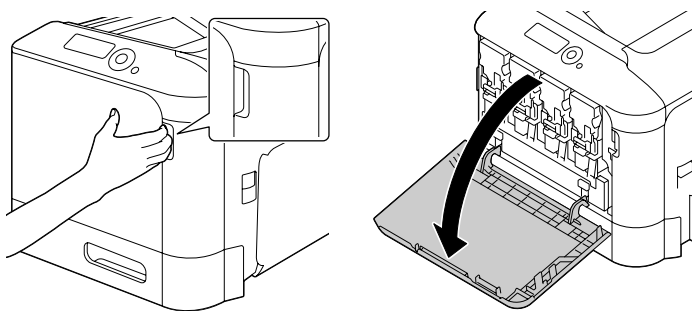
Tenga cuidado de no derramar el tóner cuando sustituya un cartucho de tóner. Si el tóner se derrama, límpielo inmediatamente con un paño suave y seco.

Si TONER LOW (TÓNER BAJO) de SYS DEFAULT MENU (MENU SIST PREDET)/ENABLE WARNING (AVISAR ACTIVADO) se establece a ON (ACTIVADO), aparecerá el mensaje TONER LOW X (TÓNER BAJO X) (donde "X" representa el color del tóner) cuando el cartucho de tóner esté a punto de agotarse. Para sustituir el cartucho de tóner, siga los pasos descritos a continuación.

Nota:

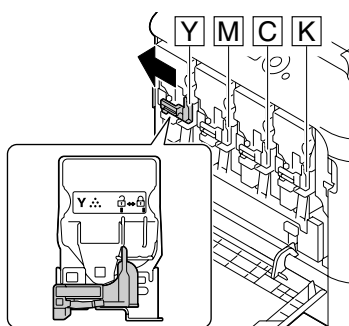
Si TONER LOW (TÓNER BAJO) de SYS DEFAULT MENU (MENU SIST PREDET)/ENABLE WARNING (AVISAR ACTIVADO) se establece a OFF (DESACTIVADO), se le aconseja sustituir el cartucho de tóner indicado cuando aparezca el mensaje REPLACE TONER X (CAMBIAR TÓNER X).

1. Abra la cubierta frontal de la impresora.

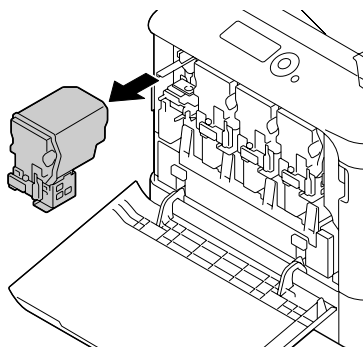


2. Tire de la palanca frontal del cartucho de tóner del color indicado hacia la izquierda.

El procedimiento de sustitución para el cartucho de tóner es el mismo para todos los colores (amarillo: Y, magenta: M, cian: C, y negro: K). Las instrucciones siguientes muestran el procedimiento de sustitución del cartucho de tóner (Y).



3. Sujete el asa del cartucho de tóner que desea sustituir, y tire del cartucho hacia fuera. Las instrucciones siguientes muestran el procedimiento de sustitución del cartucho de tóner (Y).

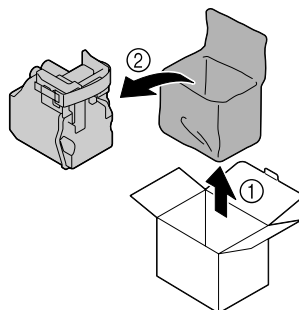


Nota:

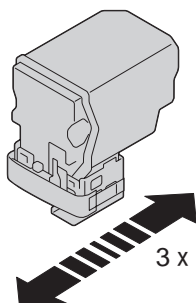
Deseche el cartucho de tóner usado de acuerdo con las normas locales. No quemé el cartucho de tóner.

Con respecto a los detalles, consulte “Acerca de los cartuchos de tóner” de la página 88.

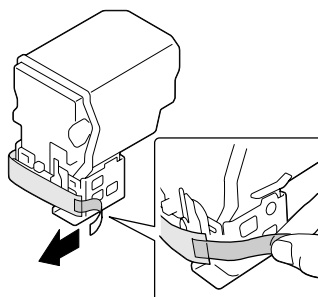
4. Verifique el color del nuevo cartucho de tóner que vaya a instalar.
5. Saque el cartucho de tóner de la bolsa.



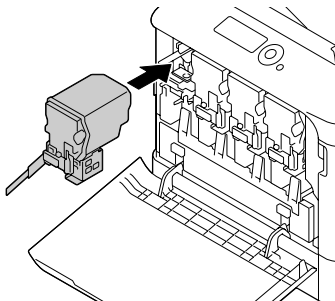
6. Sacuda el cartucho para distribuir el tóner.



7. Despegue la película protectora del lado derecho del cartucho de tóner.



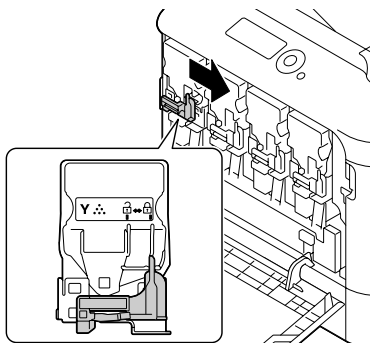
8. Cerciórese de que el color del cartucho de tóner sea igual que el del compartimiento de la impresora, y después inserte el cartucho de tóner en la impresora.



Nota:

Inserte a fondo el cartucho de tóner.

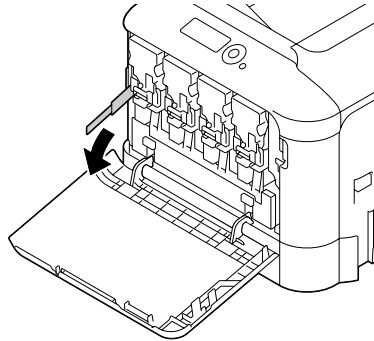
9. Tire de la placa hacia la derecha para bloquearla en su lugar.



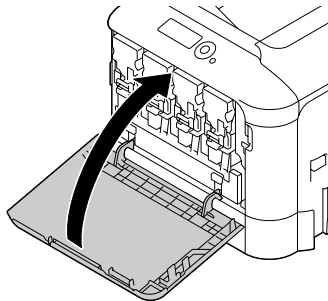
Nota:

- La palanca frontal deberá devolverse con seguridad a su posición original; de lo contrario, la cubierta frontal de la impresora no podrá cerrarse.*
- Si es difícil accionar la palanca, empújela hacia adentro.*

10. Cerciórese de que el cartucho de tóner quede instalado con seguridad, y después despegue la película protectora.

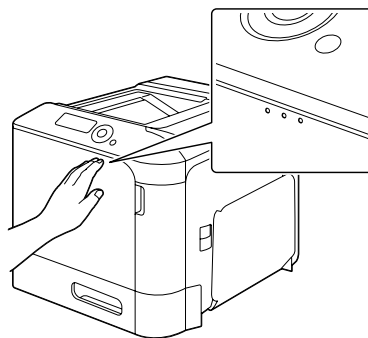


11. Cierre la cubierta frontal.



Nota:

Cuando cierre la cubierta frontal, presione el área de la cubierta con salientes pequeños.

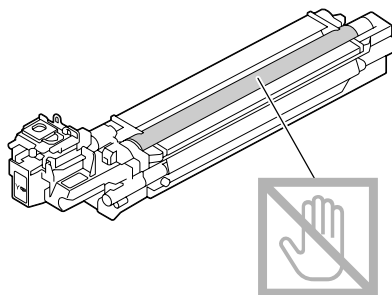


Sustitución de una unidad fotoconductora

Tipo	Números de piezas
Unidad fotoconductora (Amarillo)	1201
Unidad fotoconductora (Magenta)	1202
Unidad fotoconductora (Cian)	1203
Unidad fotoconductora (Negro)	1204

Nota:

No toque la superficie del tambor OPC. Esto podría reducir la calidad de la imagen.

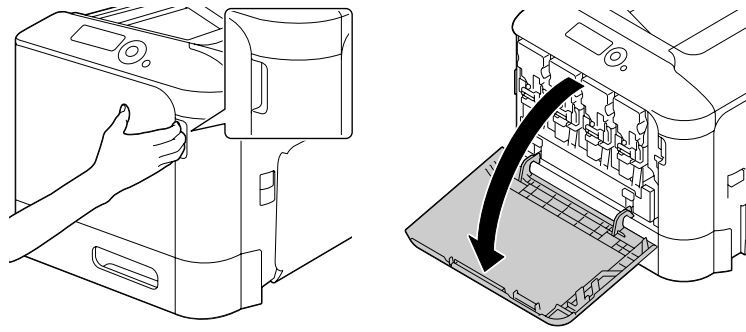


Si P/U LOW (UD. FOT. BAJA) de SYS DEFAULT MENU (MENU SIST PREDET)/ENABLE WARNING (AVISAR ACTIVADO) se establece a ON (ACTIVADO), aparecerá el mensaje P/U LOW X (UD. FOT. BAJA X) (donde "X" representa el color del tóner) cuando una unidad fotoconductora esté a punto de agotarse. Para sustituir la unidad fotoconductora, siga los pasos descritos a continuación.

Nota:

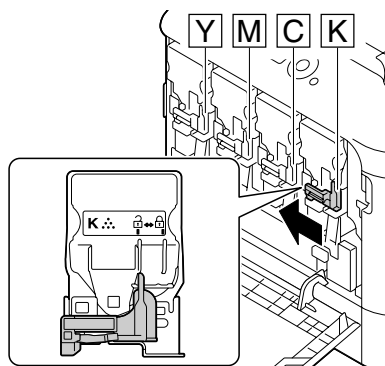
Se le aconseja sustituir la unidad fotoconductora indicada cuando aparezca el mensaje P/U LIFE X (VIDA UD. FOT. X).

1. Verifique la ventana de mensajes para ver qué unidad fotoconductora necesita sustitución.
2. Abra la cubierta frontal de la impresora.

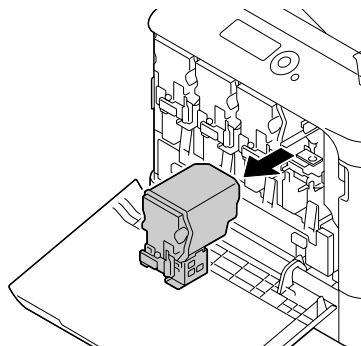


3. Tire de la palanca frontal del cartucho de tóner del color indicado hacia la izquierda.

El procedimiento de sustitución para la unidad fotoconductora es el mismo para todos los colores (amarillo: Y, magenta: M, cian: C, y negro: K). Las instrucciones siguientes muestran el procedimiento de sustitución del cartucho de tóner (K).



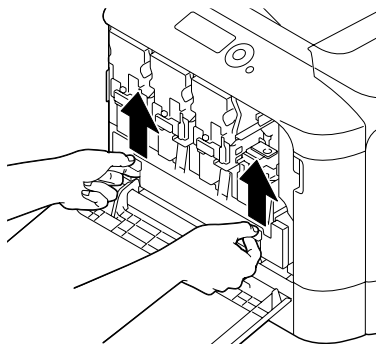
4. Sujete el asa del cartucho de tóner que desea extraer, y tire del cartucho hacia fuera.



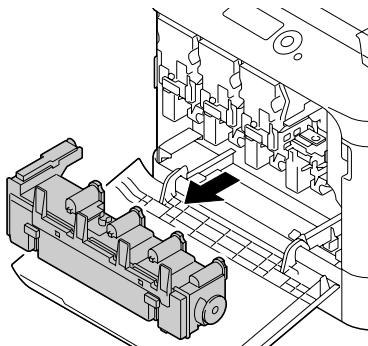
Nota:

No incline el cartucho de tóner extraído, ya que de lo contrario el tóner podría derramarse.

5. Tire de la botella de residuos de tóner para desbloquearla.



6. Sujete las asas izquierda y derecha de la botella de residuos de tóner, y después tire lentamente hacia fuera de la botella.

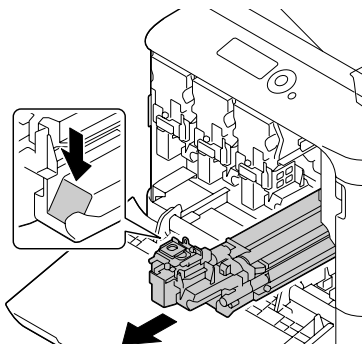


Nota:

No incline la caja de residuos de tóner extraído, ya que de lo contrario el tóner podría derramarse.

7. Presione el área marcada con “Push” en la unidad fotoconductora que desee sustituir, y después deslice la unidad completamente fuera de la impresora.

Las instrucciones siguientes muestran el procedimiento de sustitución de la unidad fotoconductora (Negro).



Nota:

Deseche la unidad fotoconductora usada de acuerdo con las normas locales. No queme la unidad fotoconductora.

8. Verifique el color de la nueva unidad fotoconductora que vaya a instalar.

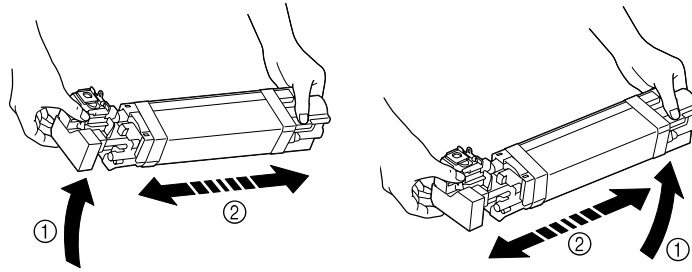
Nota:

Para evitar que se derrame el tóner, deje la unidad fotoconductora en la bolsa hasta que realice el paso 7.

9. Saque la unidad fotoconductora de la bolsa.



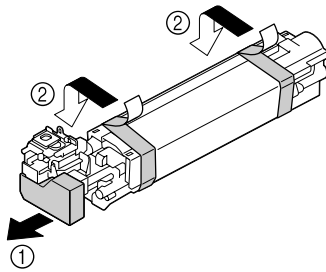
10. Sujete la unidad fotoconductora con ambas manos, y después sacúdala dos veces como se muestra en la ilustración.



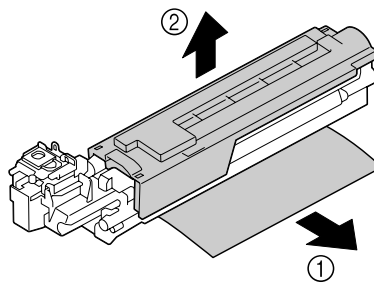
Nota:

No sujete la parte inferior de la bolsa; de lo contrario, la unidad fotoconductora podría dañarse, lo que resultaría en reducción de la calidad de impresión.

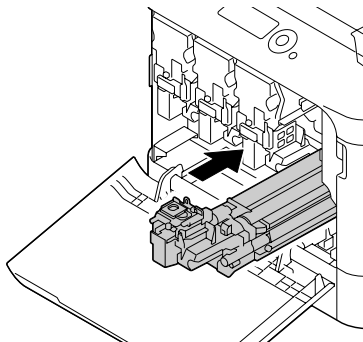
11. Quite la cubierta protectora de la unidad fotoconductora.
Quite toda la cinta de embalaje de la unidad fotoconductora de la bolsa.



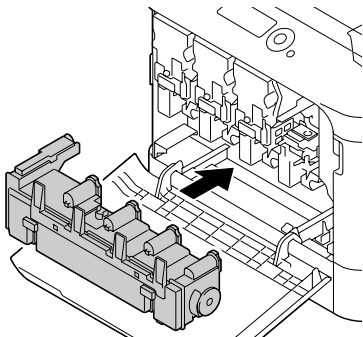
12. Quite el papel de la unidad fotoconductora.
Quite la cubierta protectora de la unidad fotoconductora.



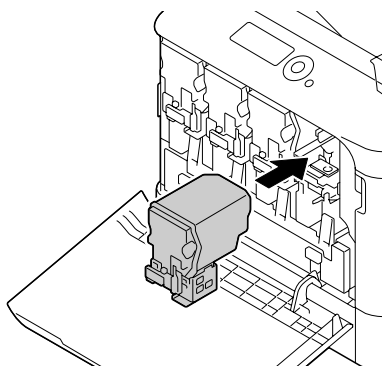
13. Cerciórese de que la nueva unidad fotoconductora a instalarse sea del mismo color que el del compartimiento de la impresora, y después instale la unidad fotoconductora en la impresora.



14. Presione hacia adentro la botella de residuos de tóner hasta que encaje en su lugar.

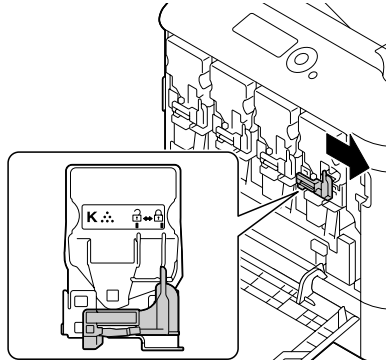


15. Cerciórese de que el color del cartucho de tóner sea igual que el del compartimiento de la impresora, y después inserte el cartucho de tóner en la impresora.



Nota:
Inserte a fondo el cartucho de tóner.

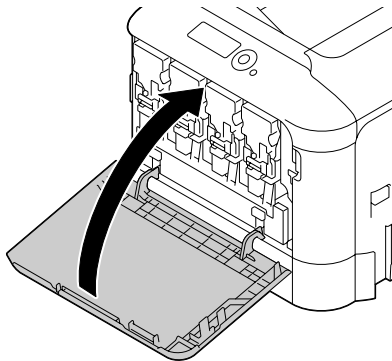
16. Tire de la placa hacia la derecha para bloquearla en su lugar.



Nota:

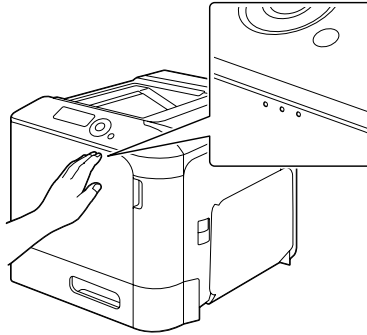
- ❑ *La palanca frontal deberá devolverse con seguridad a su posición original; de lo contrario, la cubierta frontal de la impresora no podrá cerrarse.*
- ❑ *Si es difícil accionar la palanca, empújela hacia adentro.*

17. Cierre la cubierta frontal.



Nota:

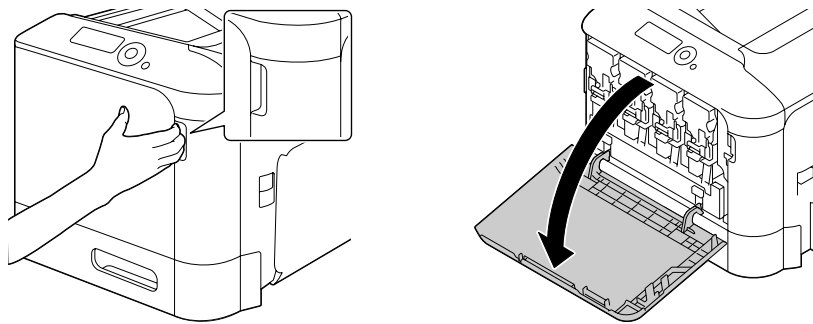
Cuando cierre la cubierta frontal, presione el área de la cubierta con salientes pequeños.



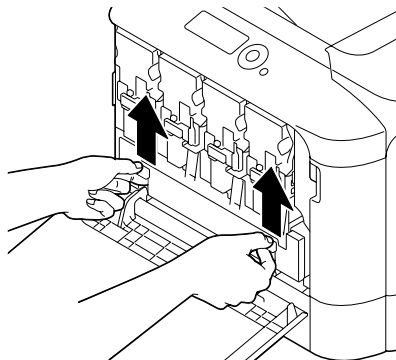
Sustitución de la botella de residuos de tóner (0595)

Cuando se llene la botella de residuos de tóner, en la ventana de mensajes aparecerá el mensaje WASTE TONER FULL (TON.RES LLENDO)/REPLACE BOTTLE (CAMBIAR BOX). La impresora se parará y no volverá a funcionar hasta que se sustituya la botella de residuos de tóner.

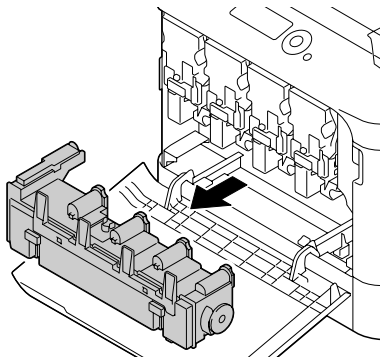
1. Abra la cubierta frontal de la impresora.



2. Tire de la botella de residuos de tóner para desbloquearla.



3. Sujete las asas izquierda y derecha de la botella de residuos de tóner, y después tire lentamente hacia fuera de la botella.



Nota:

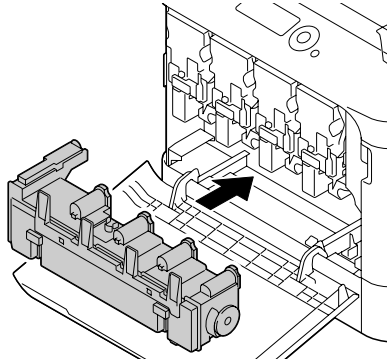
No incline la caja de residuos de tóner extraído, ya que de lo contrario el tóner podría derramarse.

4. Saque la nueva botella de residuos de tóner de su embalaje. Inserte la botella de residuos de tóner usada en la bolsa de plástico incluida en la caja, y después métala en la caja.

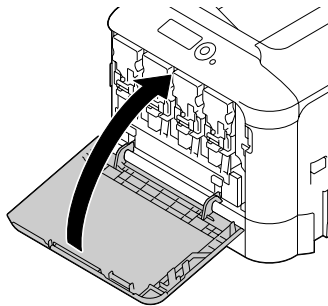
Nota:

Deseche la botella de residuos de tóner usada de acuerdo con las normas locales. No queme la botella de residuos de tóner.

5. Presione hacia adentro la botella de residuos de tóner hasta que encaje en su lugar.

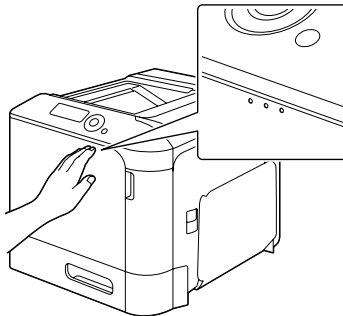


6. Cierre la cubierta frontal.



Nota:

- ❑ Cuando cierre la cubierta frontal, presione el área de la cubierta con salientes pequeños.



- ❑ Si la botella de residuos de tóner no está completamente insertada, la cubierta frontal no podrá cerrarse.

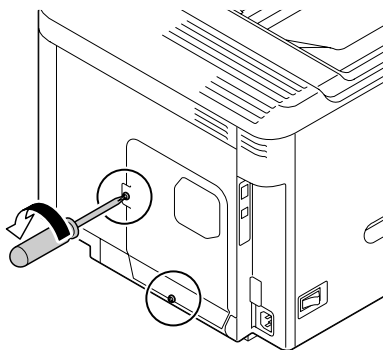
Sustitución de la pila de respaldo

Cuando la pila de respaldo agote su duración útil, no podrán conservarse la fecha y la hora de la impresora. Siga el procedimiento descrito a continuación para sustituir la pila de respaldo.

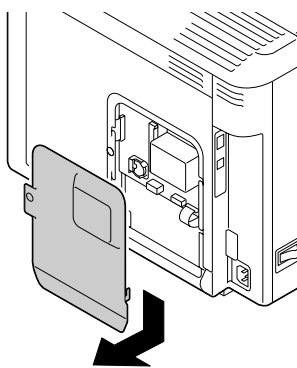
Nota:

Utilice solamente una pila de litio de 3 V de forma de moneda CR2032. Es muy importante proteger la tarjeta del controlador de la impresora y cualquier tarjeta de circuitos asociada contra daños producidos por la electrostática. Antes de realizar este procedimiento, revise la precaución sobre electrostática de la "Protección antiestática" de la página 158. Además, maneje las tarjetas de circuitos tomándolas solamente por los bordes.

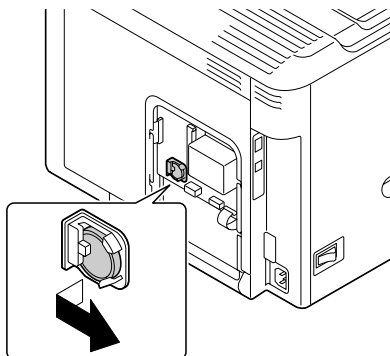
1. Apague la impresora y desconecte los cables de alimentación y de interfaz.
2. Utilizando un destornillador, extraiga dos tornillos.



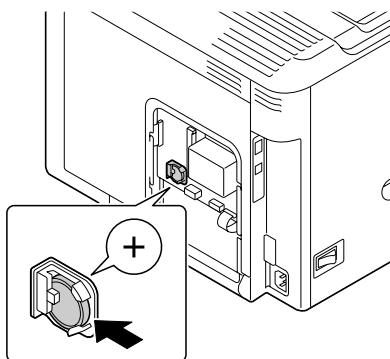
3. Deslice ligeramente el panel hacia abajo y levántelo fuera de la impresora.



4. Extraiga la pila de respaldo.



5. Inserte una nueva pila de respaldo.



Nota:

- Cuando inserte la nueva pila de respaldo, cerciórese de que el lado + quede encarado hacia el frente.
 - Riesgo de explosión si la pila se sustituye por otra de tipo incorrecto. Deseche las pilas usadas de acuerdo con las normas locales.
No queme la pila de respaldo.
6. Reinstale el panel y apriete los dos tornillos.
 7. Vuelva conectar todos los cables de interfaz.
 8. Vuelva a conectar el cable de alimentación, y encienda la impresora.
 9. Utilice DATE del menú SYS DEFAULT MENU (MENU SIST PREDET)/CLOCK (RELOJ) para ajustar la fecha, y utilice TIME (HORA) del menú SYS DEFAULT MENU (MENU SIST PREDET)/CLOCK (RELOJ) para ajustar la hora.

Sustitución la unidad de fusión (3041/3042)

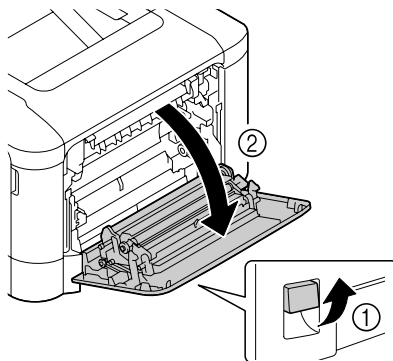
Cuando llegue el momento de sustituir la unidad de fusión, aparecerá el mensaje FUSER UNIT (UNIDAD FUSIÓN)/END OF LIFE (FIN DURACIÓN). La impresión podrá continuar incluso después de que aparezca este mensaje; sin embargo, como la calidad de la impresión se reducirá, la unidad de fusión deberá reemplazarse inmediatamente.

1. Apague la impresora.

Nota:

Dentro de la máquina hay partes extremadamente calientes. Antes de reemplazar la unidad de fusión, espere unos 40 minutos después de haber apagado la máquina, y después compruebe que la sección de fusión haya alcanzado la temperatura de la sala, ya que de lo contrario podría quemarse.

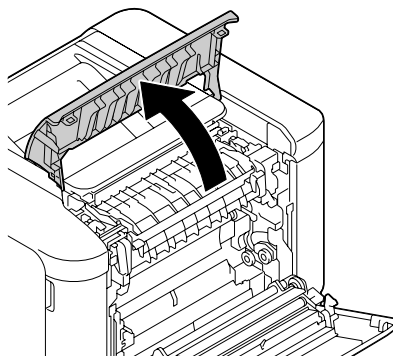
2. Tire de la palanca, y después abra la cubierta lateral derecha.



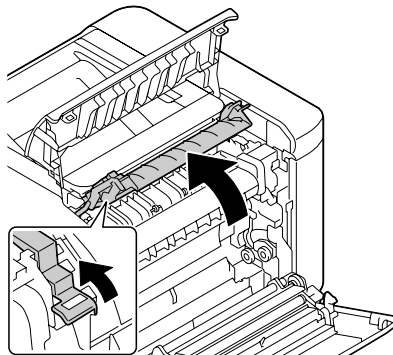
Nota:

Antes de abrir la cubierta lateral derecha, pliegue hacia arriba la bandeja 1.

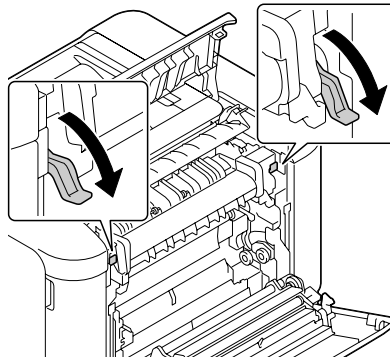
3. Abra la cubierta de expulsión.



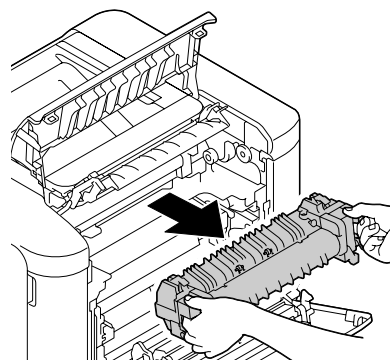
4. Abra la cubierta de la unidad de fusión.



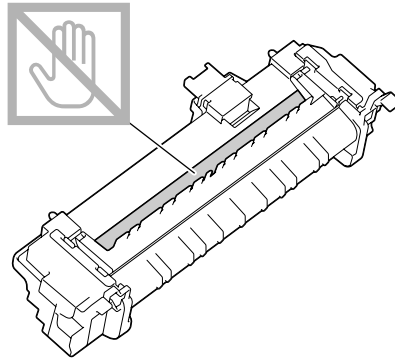
5. Tire hacia abajo de las 2 palancas.



6. Extraiga la unidad de fusión.



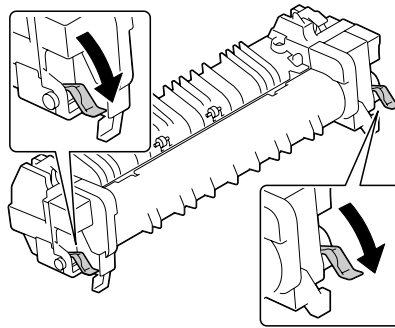
7. Prepare una nueva unidad de fusión.



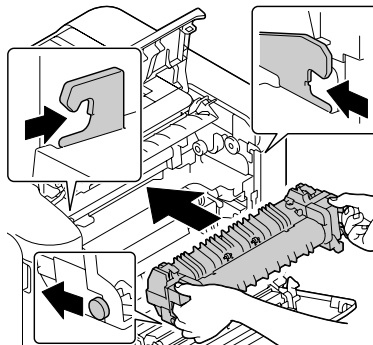
Nota:

Tenga cuidado de no tocar la superficie del rodillo de fusión.

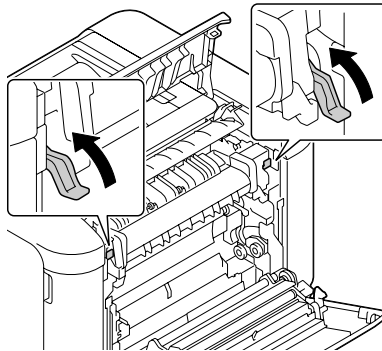
8. Tire hacia abajo de las 2 palancas de la nueva unidad de fusión.



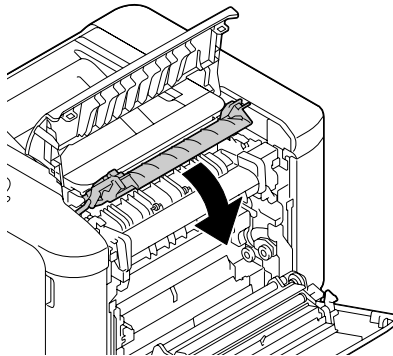
9. Inserte la unidad de fusión hasta que encaje en su lugar.



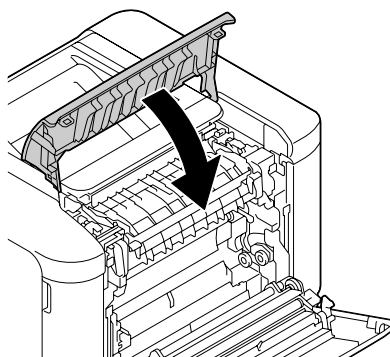
10. Levante las dos palancas.



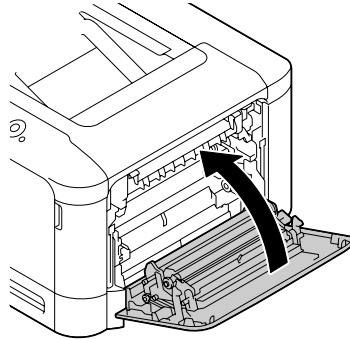
11. Cierre la cubierta de la unidad de fusión.



12. Cierre la cubierta de expulsión.



13. Cierre la cubierta lateral derecha.



14. Restablezca el contador en el menú MAINTENANCE MENU (MENU MANTENIMIENTO)/SUPPLIES (SUMINISTROS)/REPLACE (CAMBIAR)/FUSER UNIT (UNIDAD FUSIÓN).

Capítulo 7

Mantenimiento de la impresora

Mantenimiento de la impresora

**Precaución:**

Lea cuidadosamente todas las etiquetas de precaución y advertencia, y cerciórese de seguir todas las instrucciones contenidas en ellas. Estas etiquetas se encuentran en el interior de las cubiertas de la impresora y en el interior del cuerpo de la impresora.

Maneje la impresora con cuidado para preservar su duración útil. La manipulación abusiva podría provocar daños y anular su garantía. Si en el interior y el exterior de la impresora quedan polvo y retazos de papel, el rendimiento de la impresora y la calidad de impresión sufrirán, por lo que habrá que limpiar periódicamente la impresora. Tenga presentes las directrices siguientes.

**Advertencia:**

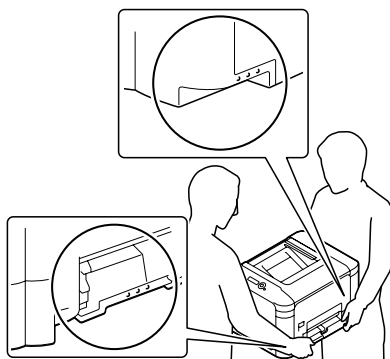
Apague la impresora, desenchufe el cable de alimentación, y desconecte todos los cables de interfaz antes de la limpieza. No vierta agua ni detergente dentro de la impresora; de lo contrario ésta se dañaría y podrían ocurrir descargas eléctricas.

**Precaución:**

La unidad de fijación está caliente. Cuando abra la cubierta lateral derecha, la temperatura de la unidad de fijación descenderá gradualmente (tiempo de espera de 40 minutos).

- Tenga cuidado cuando limpie el interior de la impresora o elimine papel mal alimentado, ya que la unidad de fijación y otras partes internas pueden estar muy calientes.
- No coloque nada sobre la impresora.
- Utilice un paño suave y seco para limpiar la impresora.
- No rocíe nunca directamente soluciones de limpieza sobre la superficie de la impresora; el aerosol podría penetrar a través de los orificios de ventilación y dañar los circuitos internos.
- Evite utilizar soluciones abrasivas o corrosivas que contengan diluyentes (como alcohol y benceno) para limpiar la impresora.
- Pruebe siempre cualquier solución de limpieza (como detergente suave) en un área pequeña y poco notoria de su impresora para verificar el rendimiento de la misma.
- No utilice nunca utensilios cortantes o ásperos, como estropajos de alambre o plástico.

- ❑ Cierre siempre con suavidad las cubiertas de la impresora. No someta nunca la impresora a vibración.
- ❑ No cubra la impresora inmediatamente después de haberla utilizado. Apáguela y espere hasta que se enfríe.
- ❑ No deje las cubiertas de la impresora abiertas en ningún momento, especialmente en lugares bien ventilados; la luz puede dañar las unidades fotoconductoras.
- ❑ No abra la impresora durante la impresión.
- ❑ No golpee las pilas de papel de la impresora.
- ❑ No lubrique ni desensamble la impresora.
- ❑ No incline la impresora.
- ❑ No toque los contactos eléctricos, los engranajes, ni los dispositivos láser. Si lo hiciese podría dañar la impresora y deteriorar la calidad de la impresión.
- ❑ Mantenga el papel de la bandeja de salida al nivel mínimo. Si el papel se apila demasiado alto en la bandeja de salida, su impresora puede experimentar mala alimentación del papel, papel excesivamente rizado, o el desarrollo de electricidad estática.
- ❑ Cerciórese de que haya dos personas disponibles para levantar la impresora cuando la mueva. Mantenga la impresora nivelada para evitar el derrame del tóner.



- ❑ Cuando levante la impresora, pliegue hacia arriba la bandeja 1, y después levante la impresora como se muestra en la ilustración de la derecha.

Si está instalado un casete de papel de 500 hojas opcional, mueva éste y la impresora por separado. No sujete por la bandeja 3 ni por la cubierta lateral derecha; de lo contrario, el casete de papel de 500 hojas podría dañarse.

- ❑ Si el tóner entra en contacto con su piel, lávese con agua fresca y jabón suave.



Precaución:

Si el tóner entra en contacto con sus ojos, láveselos inmediatamente con agua fresca y consulte a un médico.

- ❑ Cerciórese de reemplazar cualquier pieza retirada durante la limpieza antes de enchufar la impresora.

Limpieza de la impresora

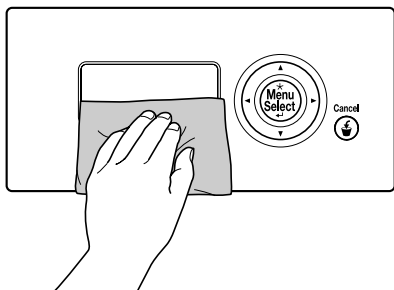


Precaución:

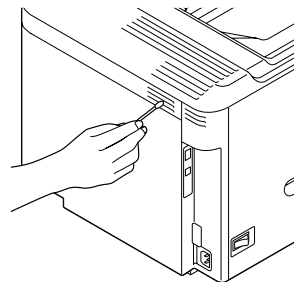
Cerciórese de apagar la impresora y de desconectar el cable de alimentación antes de la limpieza.

Exterior

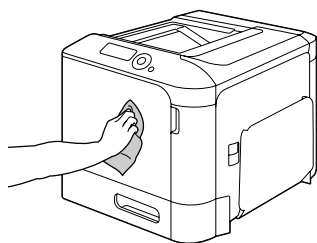
- ❑ Panel de control



- ❑ Rejilla de ventilación



- ❑ Exterior de la impresora

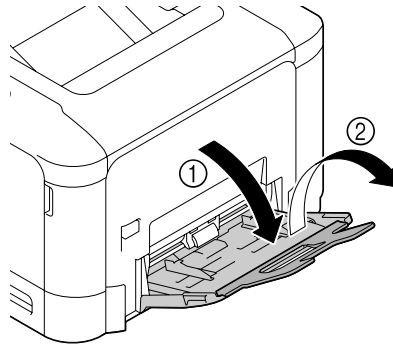


Rodillos del papel

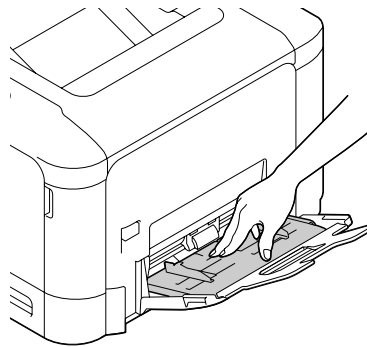
La acumulación de polvo de papel y otros restos en los rodillos del papel pueden causar problemas de alimentación del papel.

Limpieza de los rodillos de alimentación del papel (Bandeja de alimentación manual)

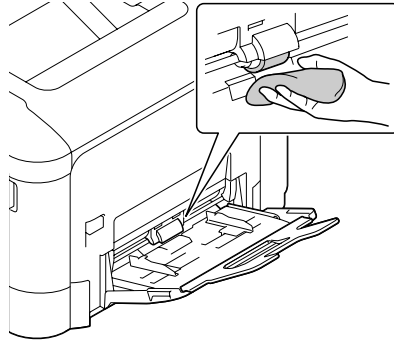
1. Abra la bandeja 1.



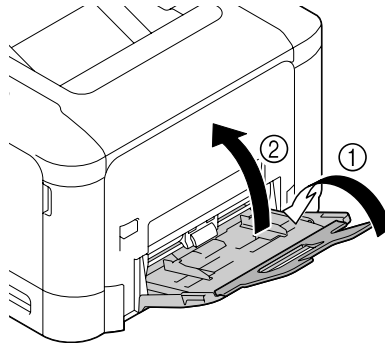
2. Presione el centro de la placa elevadora del papel hasta que las lengüetas izquierda y derecha (blancas) encajen en su lugar.



3. Limpie los rodillos de alimentación del papel frotándolos con un paño suave y seco.

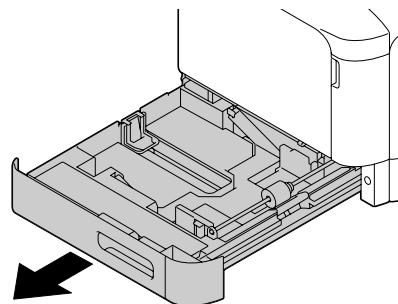


4. Cierre la bandeja.

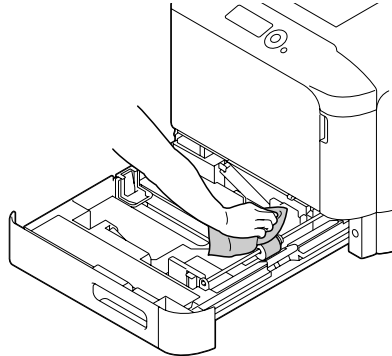


Limpieza de los rodillos de alimentación del papel (Bandeja 2/3)

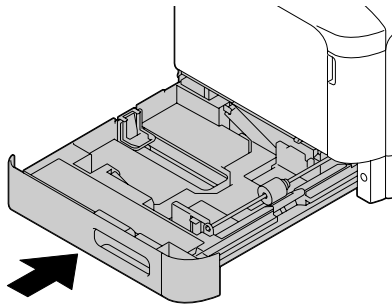
1. Tire hacia fuera de la bandeja.



2. Limpie los rodillos de alimentación del papel frotándolos con un paño suave y seco.

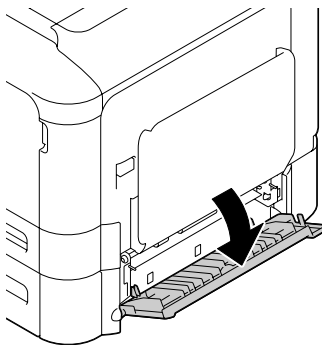


3. Cierre la bandeja.



Limpieza de los rodillos de transferencia del papel para la bandeja 3

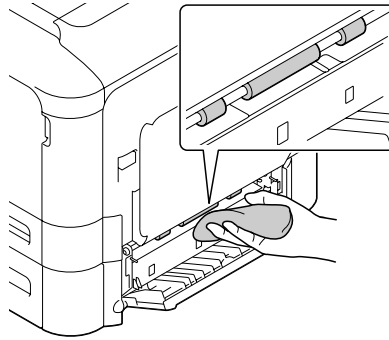
1. Abra la cubierta lateral derecha de la bandeja 3.



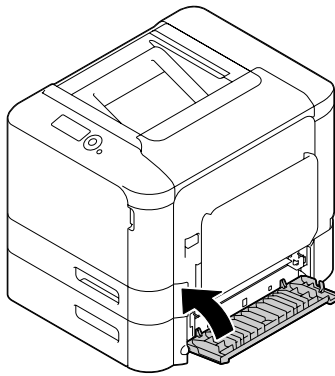
Nota:

Antes de abrir la cubierta lateral derecha de la bandeja 3, pliegue hacia arriba la bandeja 1.

2. Limpie los rodillos de transferencia del papel frotándolos con un paño suave y seco.



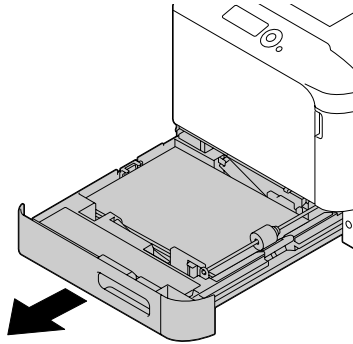
3. Cierre la cubierta lateral derecha de la bandeja 3.



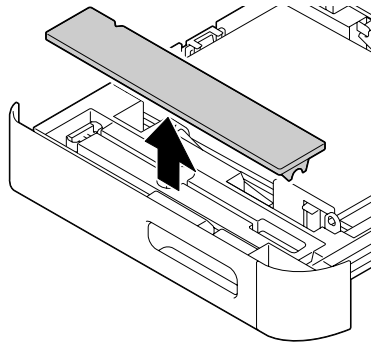
Limpieza de la lente láser

Esta impresora está construida con cuatro lentes láser. Limpie todas las lentes como se describe a continuación. La herramienta de limpieza de las lentes láser deberá estar fijada en el interior de la bandeja 2.

1. Tire hacia fuera de la bandeja 2.



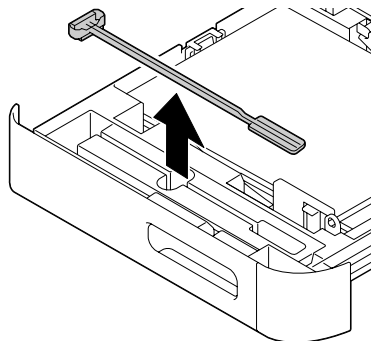
2. Extraiga la cubierta.



Nota:

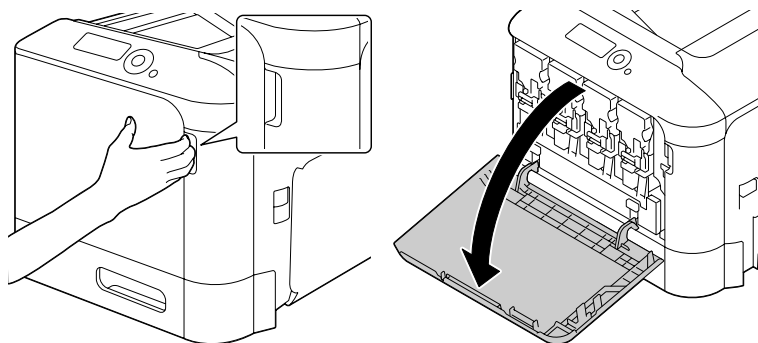
Como la cubierta se utilizará más tarde, no la devuelva a su posición original.

3. Quite la herramienta de limpieza de la bandeja 2.

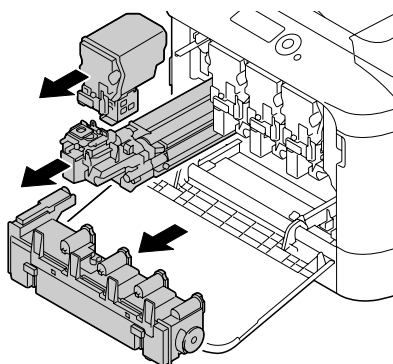


4. Cierre la bandeja 2.

- Abra la cubierta frontal de la impresora.



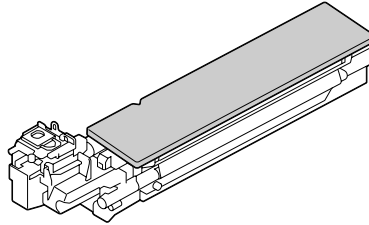
- Extraiga la botella de residuos de tóner y el cartucho de tóner y la unidad fotoconductora para el color de la lente láser que desee limpiar.



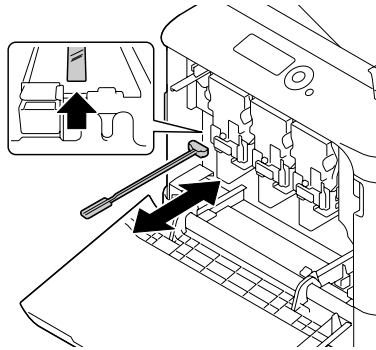
Nota:

- Con respecto a los detalles sobre la extracción del cartucho de tóner, la unidad fotoconductora o la botella de residuos de tóner, consulte “Sustitución de un cartucho de tóner” de la página 90 o “Sustitución de una unidad fotoconductora” de la página 95.
- No incline el cartucho de tóner extraído, ya que de lo contrario el tóner podría derramarse.
- No incline la caja de residuos de tóner extraído, ya que de lo contrario el tóner podría derramarse.

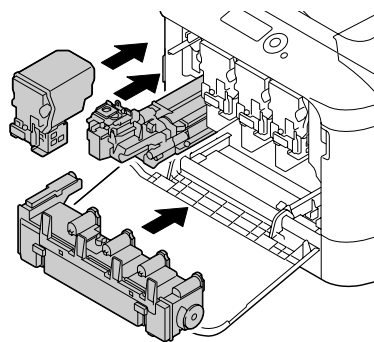
7. Fije la cubierta extraída en el paso 2 a la unidad fotoconductora.



8. Inserte la herramienta de limpieza de las lentes láser en la abertura de la unidad fotoconductora, tire de ella hacia fuera, y repita este movimiento hacia atrás y adelante 2 o 3 veces.



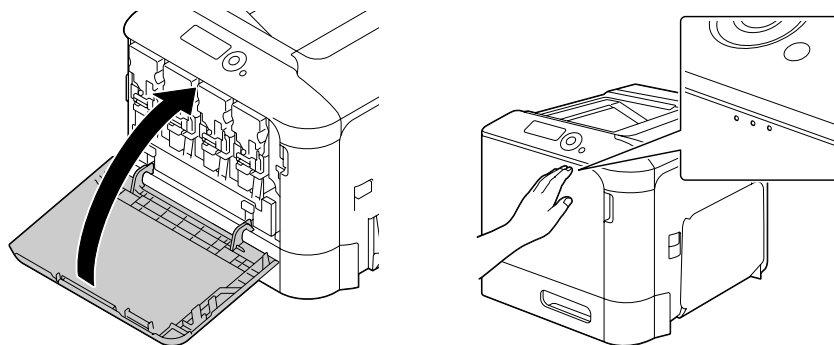
9. Instale el cartucho de tóner, la unidad fotoconductora, y la botella de residuos de tóner extraídos.



Nota:

Con respecto a los detalles sobre la instalación del cartucho de tóner, la unidad fotoconductora o la botella de residuos de tóner, consulte “Sustitución de un cartucho de tóner” de la página 90 o “Sustitución de una unidad fotoconductora” de la página 95.

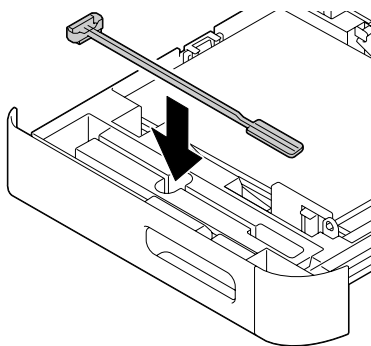
10. Cierre la cubierta frontal.



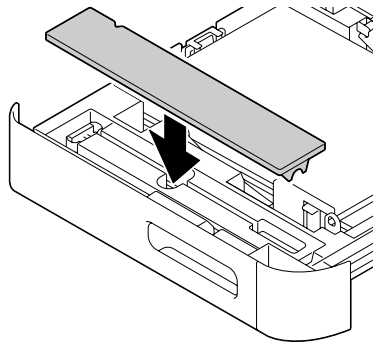
Nota:

Cuando cierre la cubierta frontal, presione el área de la cubierta con salientes pequeños.

11. Tire hacia fuera de la bandeja 2.
12. Devuelva la herramienta de limpieza de las lentes láser a su soporte del interior de la bandeja 2.



13. Cierre la cubierta.



14. Cierre la bandeja 2.

15. Limpie cada una de las lentes láser de la misma forma.

Nota:

La herramienta de limpieza de las lentes láser se incluye con la impresora.

Guarde con seguridad la herramienta de limpieza de las lentes láser de forma que no se pierda.

Capítulo 8

Solución de problemas

Impresión de una página de configuración

1. Pulse la tecla **Menu/Select**.
2. Seleccione PRINT MENU (MENU IMPRESION), y después pulse la tecla **Menu/Select**.
3. Seleccione CONFIGURATION PG (PAGINA CONFIG), y después pulse la tecla **Menu/Select**.
4. Seleccione PRINT (IMPRIMIR), y después pulse la tecla **Menu/Select**.

Prevención de mala alimentación del papel

Cerchiórese de que...
El papel concuerde con las especificaciones de la impresora.
El papel esté plano, especialmente en el borde delantero.
La impresora esté sobre una superficie dura, plana, y nivelada.
Haya almacenado el papel en un lugar seco alejado de la humedad.
Habrá que ajustar siempre las guías del papel de la bandeja <i>después</i> de insertar el papel (<i>una guía inadecuadamente ajustada podría causar mala calidad de impresión, mala alimentación del papel, y daños en la impresora</i>).
Cargue el papel con el lado de impresión hacia arriba en la bandeja (<i>muchos fabricantes colocan una flecha en el extremo de la envoltura para indicar el lado de impresión</i>).
Evite...
Papel que esté plegado, arrugado, o excesivamente rizado.
Alimentación doble (<i>retire el papel y abanique las hojas—pueden estar pegadas entre sí</i>).
Cargar más de un tipo/tamaño/peso de papel en una bandeja al mismo tiempo.
Llenar excesivamente las bandejas.

Evite...

Permitir que la bandeja de salida se llene demasiado (la bandeja de salida tiene una capacidad de 200 hojas—si permite que se acumulen más de 200 hojas a la vez se puede producir mala alimentación del papel).

Eliminación de papel mal alimentado

Para evitar daños, retire siempre suavemente el papel mal alimentado, sin romperlo. Cualquier pieza de papel dejado en la impresora, ya sea grande o pequeño, puede obstruir la vía del papel y causar además mala alimentación. No vuelva a cargar papel que se haya alimentado mal.

Nota:

La imagen no se fija en el papel antes del proceso de fijación. Si toca la superficie impresa, el tóner puede pegarse en sus manos, por lo que deberá tener cuidado de no tocar dicha superficie cuando retire el papel mal alimentado. Cerciórese de no derramar tóner en el interior de la impresora.

**Precaución:**

- El tóner no fijado puede ensuciar sus manos, vestido, o cualquier cosa con la que entre en contacto.

Si el tóner entra accidentalmente en contacto con su ropa, desempólvela lo mejor que pueda. Si queda algún tóner en su ropa, utilice agua fría, no caliente, para lavarla. Si el tóner entra en contacto con su piel, lávese con agua fresca y jabón suave.

- Si el tóner entra en contacto con sus ojos, láveselos inmediatamente con agua fresca y consulte a un médico.

Si, después de haber retirado el papel mal alimentado, el mensaje de mala alimentación persiste en la ventana del panel de control, abra y cierre las cubiertas de la impresora. Esto deberá borrar el mensaje de mala alimentación.

Mensajes de papel mal alimentado y procedimientos de eliminación

Mensaje de papel mal alimentado	Página de referencia
PAPER JAM (ATASCO PAPEL) TRAY2 (BAND2)	“Eliminación del papel mal alimentado en la bandeja 2” de la página 126
PAPER JAM (ATASCO PAPEL) TRAY3 (BAND3)	“Eliminación del papel mal alimentado en la bandeja 3” de la página 129
PAPER JAM (ATASCO PAPEL) DUPLEX1	“Eliminación del papel mal alimentado del Dúplex (Epson AcuLaser C3900DN solamente)” de la página 132

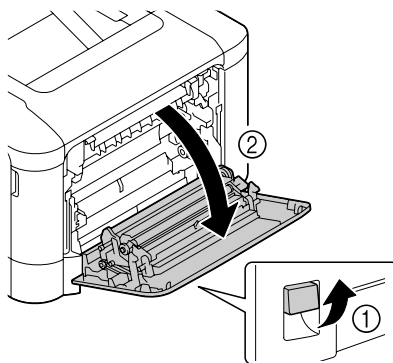
Mensaje de papel mal alimentado	Página de referencia
PAPER JAM (ATASCO PAPEL) DUPLICATE2	“Eliminación del papel mal alimentado del Dúplex (Epson AcuLaser C3900DN solamente)” de la página 132
PAPER JAM (ATASCO PAPEL) FUSER/EXIT (FUSION/SALIDA)	“Eliminación del papel mal alimentado de la unidad de fusión” de la página 133
PAPER JAM (ATASCO PAPEL) TRAY1 (BAND1)	“Eliminación del papel mal alimentado de la bandeja 1 (bandeja de alimentación manual) y rodillo de transferencia” de la página 137
PAPER JAM (ATASCO PAPEL) SECOND TRANS (SEGUNDA TRANS)	“Eliminación del papel mal alimentado de la bandeja 1 (bandeja de alimentación manual) y rodillo de transferencia” de la página 137
PAPER JAM (ATASCO PAPEL) VERTICAL TRANS (TRANS VERTICAL)	“Eliminación del papel mal alimentado en la bandeja 3” de la página 129, “Eliminación del papel mal alimentado de la bandeja 1 (bandeja de alimentación manual) y rodillo de transferencia” de la página 137

Nota:

Si aparece el mensaje PAPER JAM (ATASCO PAPEL)/VERTICAL TRANS (TRANS VERTICAL), compruebe si hay mala alimentación del papel en la sección del rodillo de transferencia de las cubiertas laterales derechas para la bandeja 3.

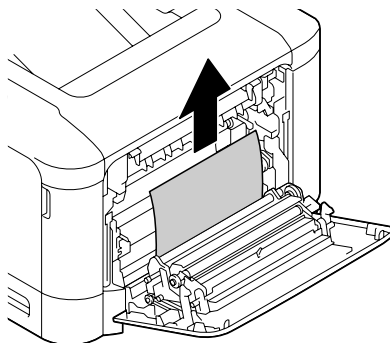
Eliminación del papel mal alimentado en la bandeja 2

1. Tire de la palanca, y después abra la cubierta lateral derecha.

**Nota:**

Antes de abrir la cubierta lateral derecha, pliegue hacia arriba la bandeja 1.

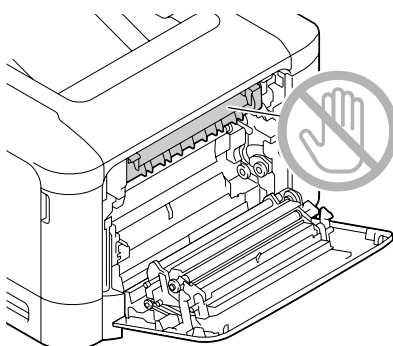
2. Tire cuidadosamente del papel mal alimentado.



Precaución:

El área alrededor de la unidad de fijación se calienta extremadamente.

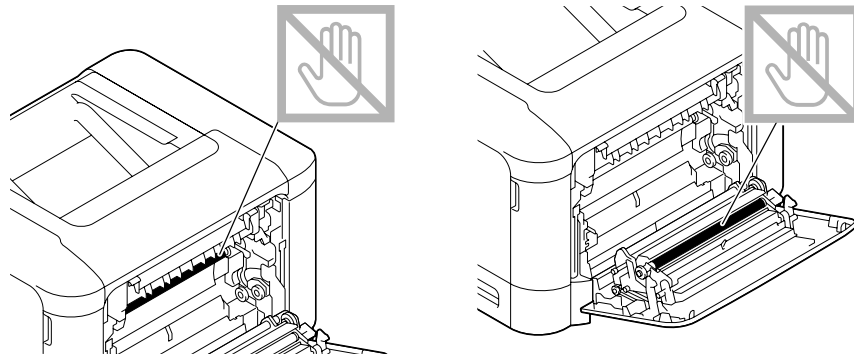
El tocar cualquier parte que no sean las palancas indicadas puede resultar en quemaduras. Si se quema, enfríe inmediatamente la piel con agua fría, y después busque atención médica profesional.



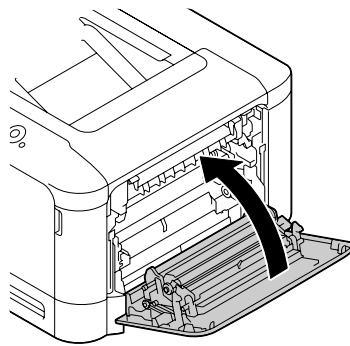
Nota:

Si se toca la superficie de la correa de transferencia de imagen o del rodillo de transferencia puede reducirse la calidad de la impresión.

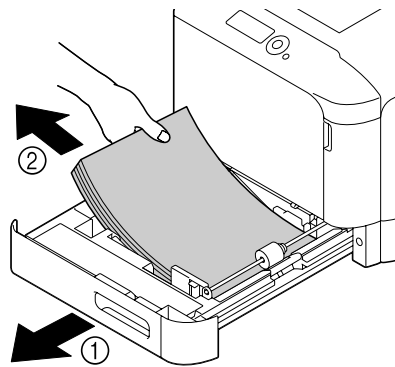
Tenga cuidado de no tocar la superficie de la correa de transferencia de imagen o del rodillo de transferencia.



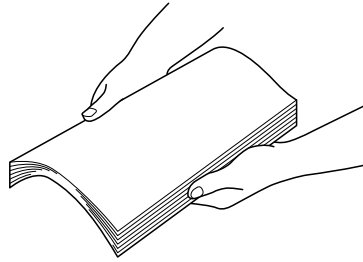
3. Cierre la cubierta lateral derecha.



4. Tire hacia fuera de la bandeja 2, y después extraiga todo el papel de la bandeja.



5. Abanique el papel retirado y después y alinéelo bien.

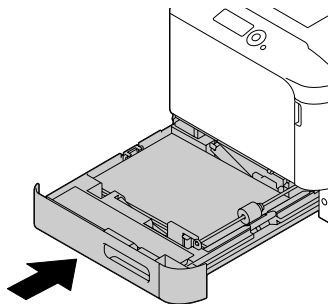


6. Cargue el papel encarado hacia arriba en la bandeja 2.

Nota:

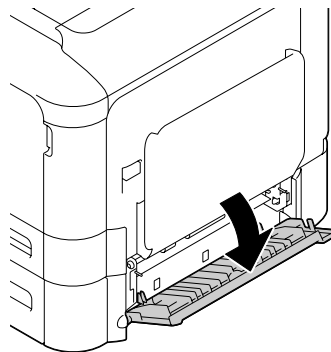
- Cerciórese de que el papel esté plano.
- No cargue papel por encima de la marca ▼.

7. Cierre la bandeja 2.



Eliminación del papel mal alimentado en la bandeja 3

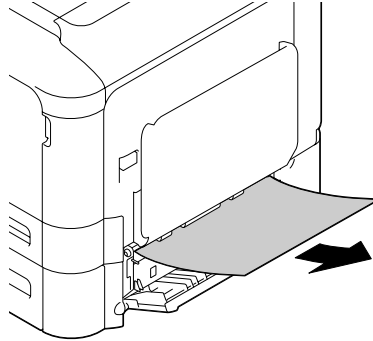
1. Abra la cubierta lateral derecha de la bandeja 3.



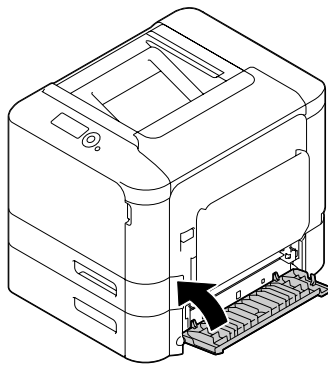
Nota:

Antes de abrir la cubierta lateral derecha de la bandeja 3, pliegue hacia arriba la bandeja 1.

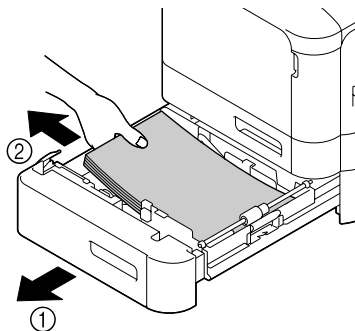
2. Tire cuidadosamente del papel mal alimentado.



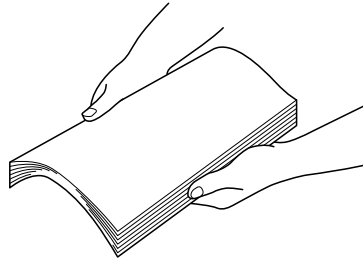
3. Cierre la cubierta lateral derecha de la bandeja 3.



4. Tire hacia fuera de la bandeja 3, y después extraiga todo el papel de la bandeja.



5. Abanigue el papel retirado y después y alinéelo bien.

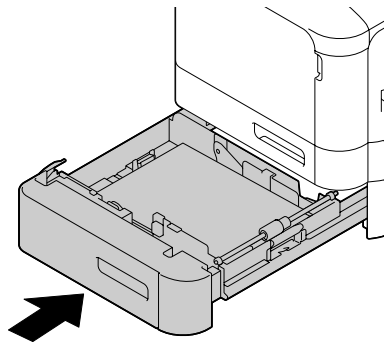


6. Cargue el papel encarado hacia arriba en la bandeja 3.

Nota:

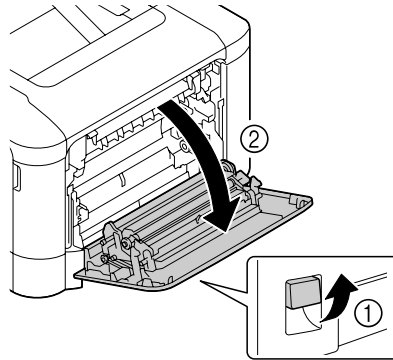
- Cerciórese de que el papel esté plano.
- No cargue papel por encima de la marca ▼.
- Deslice las guías de papel contra los bordes del papel.

7. Cierre la bandeja 3.



Eliminación del papel mal alimentado del Dúplex (Epson AcuLaser C3900DN solamente)

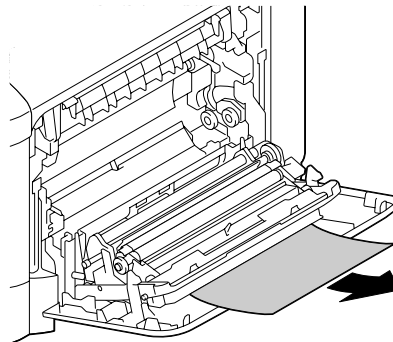
1. Tire de la palanca, y después abra la cubierta lateral derecha.



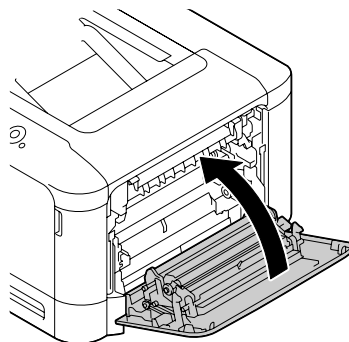
Nota:

Antes de abrir la cubierta lateral derecha, pliegue hacia arriba la bandeja 1.

2. Tire cuidadosamente del papel mal alimentado.

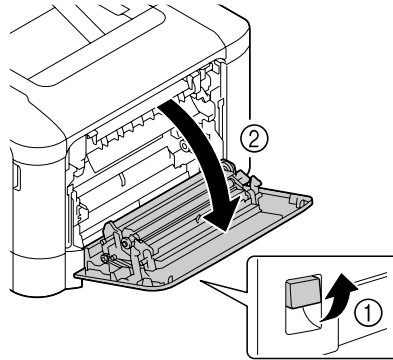


3. Cierre la cubierta lateral derecha.



Eliminación del papel mal alimentado de la unidad de fusión

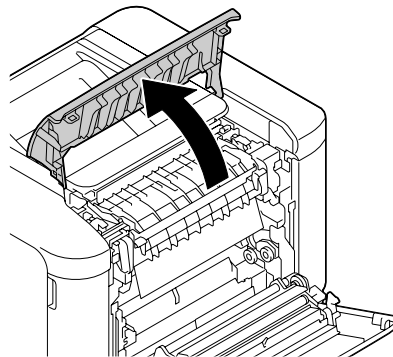
1. Tire de la palanca, y después abra la cubierta lateral derecha.



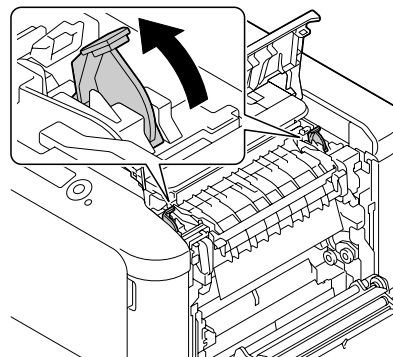
Nota:

Antes de abrir la cubierta lateral derecha, pliegue hacia arriba la bandeja 1.

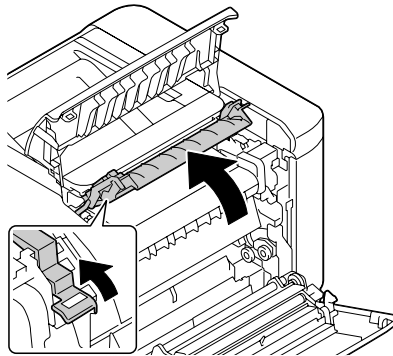
2. Abra la cubierta de expulsión.



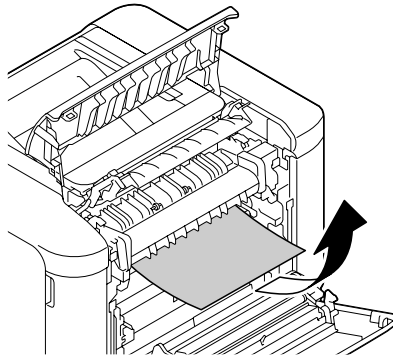
3. Levante las 2 palancas.



- Abra la cubierta de la unidad de fusión.

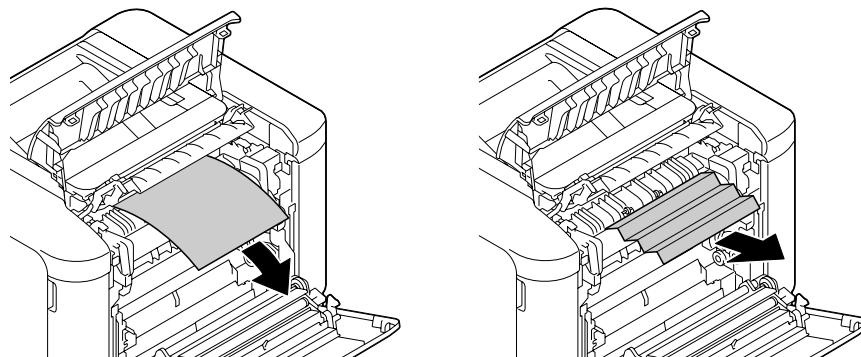


- Tire cuidadosamente del papel mal alimentado.



Nota:

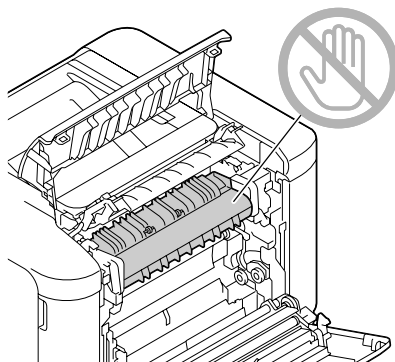
Si el papel mal alimentado no puede retirarse tirando de él hacia abajo, tire de él desde la parte superior de la unidad de fusión.





Precaución:

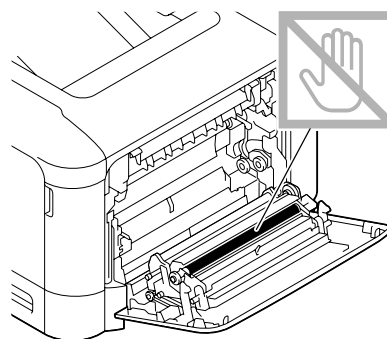
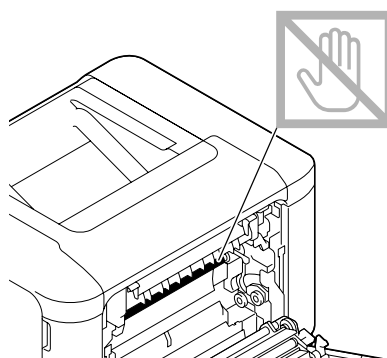
El área alrededor de la unidad de fusión se calienta extremadamente. El tocar cualquier parte que no sean las palancas indicadas puede resultar en quemaduras. Si se quema, enfríe inmediatamente la piel con agua fría, y después busque atención médica profesional.



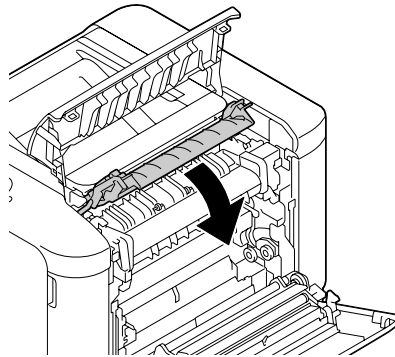
Nota:

Si se toca la superficie de la correa de transferencia de imagen o del rodillo de transferencia puede reducirse la calidad de la impresión.

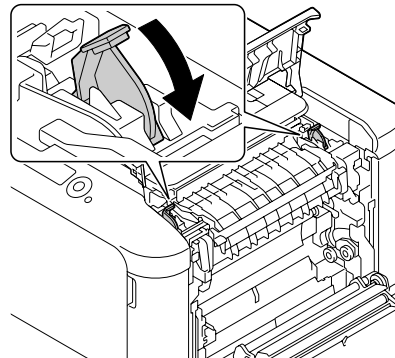
Tenga cuidado de no tocar la superficie de la correa de transferencia de imagen o del rodillo de transferencia.



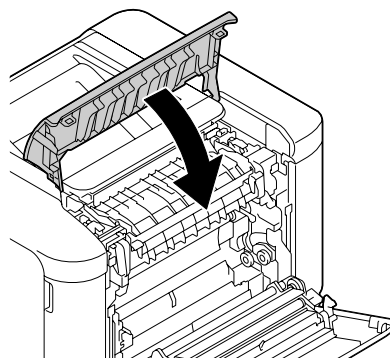
6. Cierre la cubierta de la unidad de fusión.



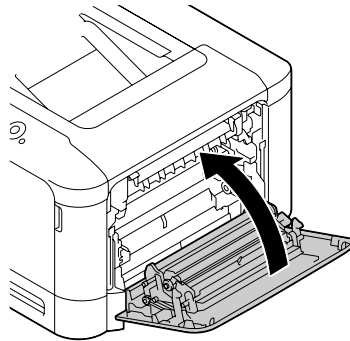
7. Empuje hacia abajo las 2 palancas.



8. Cierre la cubierta de expulsión.

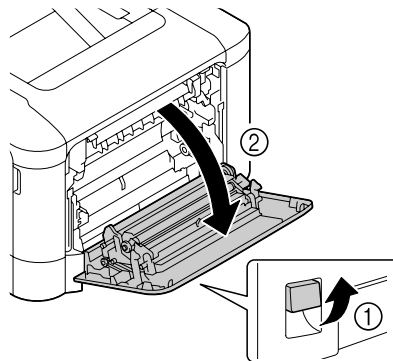


9. Cierre la cubierta lateral derecha.



Eliminación del papel mal alimentado de la bandeja 1 (bandeja de alimentación manual) y rodillo de transferencia

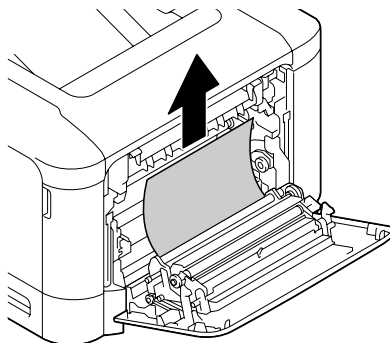
1. Tire de la palanca, y después abra la cubierta lateral derecha.



Nota:

Antes de abrir la cubierta lateral derecha, pliegue hacia arriba la bandeja 1.

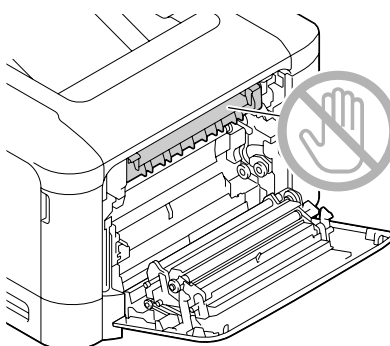
2. Tire cuidadosamente del papel mal alimentado.



Precaución:

El área alrededor de la unidad de fusión se calienta extremadamente.

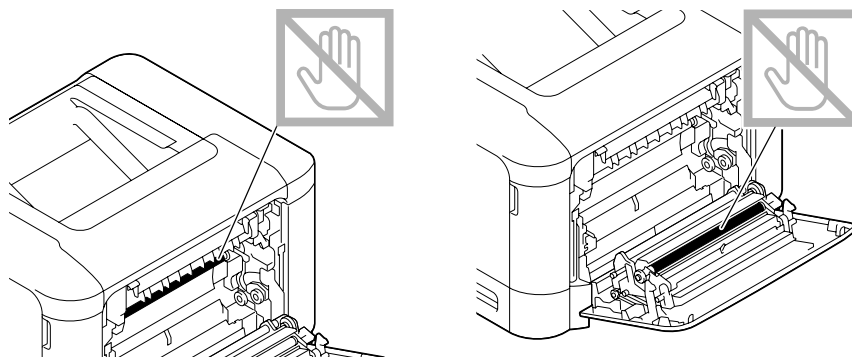
El tocar cualquier parte que no sean las palancas indicadas puede resultar en quemaduras. Si se quema, enfríe inmediatamente la piel con agua fría, y después busque atención médica profesional.



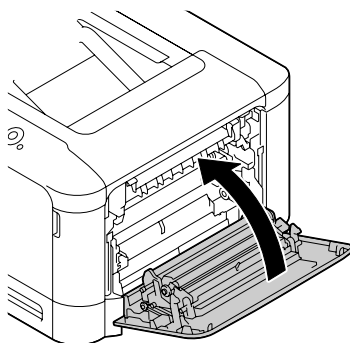
Nota:

Si se toca la superficie de la correa de transferencia de imagen o del rodillo de transferencia puede reducirse la calidad de la impresión.

Tenga cuidado de no tocar la superficie de la correa de transferencia de imagen o del rodillo de transferencia.



3. Cierre la cubierta lateral derecha.



Solución de problemas de mala alimentación del papel

Nota:

La mala alimentación frecuente en cualquier área indica que tal área deberá verificar, reparar, o limpiarse. La mala alimentación repetida puede suceder también si está utilizando papel de impresión no compatible.

Síntoma	Causa	Solución
Varias hojas pasan juntas a través de la impresora.	Los bordes frontales del papel no están alineados.	Retire el papel, alinee los bordes frontales, y vuelva a cargarlo.
	El papel está mojado por la humedad.	Elimine el papel húmedo y sustitúyalo por otro nuevo seco.

Síntoma	Causa	Solución
El mensaje de mala alimentación permanece.	La cubierta lateral derecha tiene que abrir y cerrarse de nuevo para restablecer la impresora.	Abra y cierre otra vez la cubierta lateral derecha de la impresora.
	En la impresora queda algún papel mal alimentado.	Vuelva a verificar la vía del papel y cerciórese de que haya retirado todo el papel mal alimentado.
Mala alimentación en el dúplex.	Está utilizando papel no compatible (tamaño, grosor, tipo, etc., erróneos).	Utilice papel aprobado por Epson. Consulte "Papel de impresión" de la página 64.
		Solamente podrá autoduplexarse papel normal, papel especial y papel grueso, 60–210 g/m ² (16–55,9 libras). Consulte "Papel de impresión" de la página 64.
		Cerciórese de que no haya mezclado tipos de papel en la bandeja 1 o 2.
	No es posible la duplexión (dos caras) de sobres, etiquetas, papel con membrete, tarjetas postales, papel satinado ni papel de sólo una cara.	
	El papel sigue alimentándose mal.	Vuelva a verificar la vía del papel dentro de la opción dúplex y cerciórese de que haya retirado todo el papel mal alimentado.

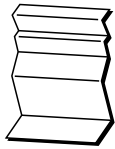
Síntoma	Causa	Solución
El papel está alimentándose mal.	El papel no está correctamente colocado en la bandeja.	Retire el papel mal alimentado y vuelva a colocarlo adecuadamente en la bandeja.
	El número de hojas de la bandeja supera el máximo permitido.	Retire el papel en exceso y vuelva a cargar el número correcto de hojas en la bandeja.
	Las guías del papel no están ajustadas correctamente al tamaño del papel.	Ajuste las guías de papel de la bandeja para que coincidan con el tamaño del papel.
	En la bandeja está cargado papel alabeado o arrugado.	Retire el papel, alíselo, y vuelva a cargarlo. Si sigue alimentándose mal, no utilice tal papel.
	El papel está mojado por la humedad.	Elimine el papel húmedo y sustitúyalo por otro nuevo seco.
	Hay sobres cargados en la bandeja 2, 3.	Los sobres solamente deberán cargarse en la bandeja 1.
	En la bandeja 3 se han cargado etiquetas, papel con membrete, tarjetas postales, papel grueso o papel satinado.	Las etiquetas, papel con membrete, tarjetas postales, papel grueso o papel satinado deberán cargarse en la bandeja 1 o 2.
	Hay papel de tamaño personalizado cargado en la bandeja 3.	El papel de tamaño personalizado puede cargarse en la bandeja 1 o 2. Consulte "Papel de impresión" de la página 64.
	La hoja de etiquetas recomendada está encarada de forma errónea en la bandeja 1 o 2.	Cargue las hojas de etiquetas de acuerdo con las instrucciones del fabricante.
Los sobres están encarados de forma errónea en la bandeja 1.	Cargue los sobres en la bandeja 1 de forma que las solapas queden encaradas hacia arriba.	
El papel está alimentándose mal.	Está utilizando papel no compatible (tamaño, grosor, tipo, etc., erróneos).	Utilice papel aprobado por Epson. Consulte "Papel de impresión" de la página 64.
	El rodillo del papel está sucio.	Limpie el rodillo de suministro del papel. Con respecto a más detalles, consulte "Rodillos del papel" de la página 115.

Solución de otros problemas

Síntoma	Causa	Solución
La impresora no está encendida.	El cable de alimentación no está correctamente conectado en la toma de corriente.	Apague la impresora, confirme que el cable de alimentación esté correctamente conectado en la toma de corriente, y después encienda la impresora.
	La toma de corriente a la cual está conectada la impresora está mal.	Conecte otro dispositivo eléctrico a la toma de corriente para ver si ésta funciona adecuadamente.
	El interruptor de alimentación está correctamente cerrado (posición I).	Abra el interruptor de alimentación (posición O), y después vuelva a cerrarlo (posición I).
	La impresora está conectada a una toma de corriente con una tensión o frecuencia que no está de acuerdo con las especificaciones de la impresora.	Utilice una fuente de alimentación con las especificaciones indicada en el apéndice A "Especificaciones técnicas".
Se han enviado datos a la impresora, pero no se imprimieron.	En la ventana de mensajes se visualizó un mensaje de error.	Actúe de acuerdo con el mensaje visualizado.
	Un trabajo puede cancelarse si se especifican las opciones de autenticación de usuario o seguimiento de cuenta.	Haga clic en el botón Autenticación de usuario/Seguimiento de cuenta en el controlador de la impresora, y después escriba la información necesaria antes de imprimir.
El panel de control visualiza TONER LOW (Tóner bajo) mucho antes de lo esperado.	Uno de los cartuchos puede estar defectuoso.	Retire los cartuchos de tóner y verifíquelos para ver si están dañados. Si uno está dañado, sustitúyalo.
	Ha impreso con cobertura pesada de tóner.	Consulte las especificaciones del Apéndice A.
No puede imprimir la página de configuración.	La bandeja está vacía.	Verifique que por lo menos la bandeja 1 esté cargada con papel, en su lugar, y segura.
	El papel se alimenta mal.	Elimine el papel mal alimentado.


Síntoma	Causa	Solución
No es posible la impresión desde un dispositivo de memoria USB.	El formato de archivo (extensión de archivo) no es uno de los que pueden imprimirse.	Solamente podrán imprimirse archivos con formato (extensión) JPEG, TIFF, XPS o PDF .
	MEMORY DIRECT para la impresora se ha establecido a DISABLE (DES-HABILITAR).	Cambie la opción para INTERFACE MENU (MENU INTERFAZ)/MEMORY DIRECT a ENABLE (HABILITAR).
	No está especificado un usuario público para autenticación de usuario.	Póngase en contacto con el administrador de la impresora.
	Se están utilizando dispositivos de memoria USB cifrados.	Los dispositivos de memoria USB cifrados no son compatibles.
La impresión requiere demasiado tiempo.	La impresora está en el modo de impresión lenta (por ejemplo, papel grueso).	Tarda más tiempo en imprimir en papel especial. Cuando utilice papel normal, cerciórese de que el tipo de papel esté ajustado adecuadamente en el controlador.
	El trabajo es muy complicado.	Espere. No se necesita ninguna acción.
	La memoria de la impresora es insuficiente.	Agregue más memoria.
	Ha instalado un cartucho de tóner para una región diferente o un cartucho de tóner genuino no aprobado (en la ventana de mensajes se visualiza NONGENUINE TONER X (TÓNER NO ORIGINAL X)).	Instale un cartucho de tóner Epson correcto aprobado para su impresora específica.
Durante la impresión salen páginas en blanco.	Uno o más de los cartuchos de tóner están defectuosos o vacíos.	Verifique los cartuchos de tóner. La imagen no se imprimirá correctamente, si uno o más cartuchos están vacíos.
	Está utilizando papel erróneo.	Verifique que el tipo de papel establecido en el controlador coincida con el papel cargado en la impresora.





Síntoma	Causa	Solución
No se imprimen todas las páginas.	La impresora tiene el tipo erróneo de cable, o la impresora no está configurada para el cable o el puerto correctos.	Compruebe su cable.
	Pulsó la tecla Cancel .	Cerciórese de que nadie pulse la tecla Cancel mientras esté realizando un trabajo de impresión.
	La bandeja está vacía.	Verifique que las bandejas estén cargadas con papel, en su lugar, y seguras.
	Un documento se imprimió con un archivo de superposición que fue creado mediante un controlador inadecuado.	Imprima el archivo de superposición utilizando un controlador adecuado.
La impresora se restablece o apaga con frecuencia.	El cable de alimentación no está correctamente conectado en la toma de corriente.	Apague la impresora, confirme que el cable de alimentación esté correctamente conectado en la toma de corriente, y después encienda la impresora.
	Ha ocurrido un error del sistema.	Póngase en contacto con el servicio de asistencia técnica.
En la ventana de mensajes permanece visualizado el mensaje PORT AUTH ACTIVE.	Ha fallado la autenticación de IEEE 802.1X.	Cambie la opción para INTERFACE MENU (MENU INTERFAZ)/ETHERNET/IEEE802.1X/ENABLE (HABILITAR) a NO, y después compruebe todas las opciones relacionadas con IEEE 802.1X.


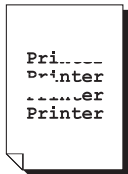


Síntoma	Causa	Solución
<p>Se están experimentando problemas de duplexión (dos caras). (Epson AcuLaser C3900DN solamente)</p>	<p>El papel o los ajustes no son correctos.</p>	<p>Cerciórese de que esté utilizando el papel correcto.</p> <ul style="list-style-type: none"> <input type="checkbox"/> Consulte "Papel de impresión" de la página 64. <input type="checkbox"/> No es posible la duplexión (dos caras) de sobres, etiquetas, papel con membrete, tarjetas postales, papel satinado ni papel de sólo una cara. <input type="checkbox"/> Cerciórese de que no haya mezclado tipos de papel en la bandeja 1 o 2.
		<p>Cerciórese de que su documento posea más de una cara.</p>
		<p>Cerciórese de que "EPSON AL-C3900" se haya seleccionado en el cuadro "Model (Modelo)" bajo "Device Options (Opc. de dispositivo)" del controlador de impresora de Windows (Propiedades/ficha Configurar (Configurar)).</p>
		<p>En el controlador de impresora de Windows (Layout (Presentación)/Tipo Print (Impresión)), elija "Double-Sided (Dos caras)".</p>
		<p>Para N-up (Número-Arriba) en páginas duplexadas, elija Collate (Intercalar) sólo en la ficha Basic (Básico) del controlador de Windows. No establezca intercalación en la aplicación.</p>
<p>Con N-up en múltiples copias, la salida es incorrecta.</p>	<p>Tanto el controlador como la aplicación se han ajustado para intercalación.</p>	<p>Para N-up (Número-Arriba) en copias múltiples, elija Collate (Intercalar) sólo en la ficha Basic (Básico) del controlador de Windows. No establezca intercalación en la aplicación.</p>
<p>Se oyen ruidos inusuales.</p>	<p>Hay un objeto extraño adherido en el interior de la impresora.</p>	<p>Apague la impresora y retire el objeto. Si no puede retirarlo, póngase en contacto con el servicio de asistencia técnica.</p>
<p>No se puede acceder a la utilidad basada en Web.</p>	<p>La contraseña del administrador de Web-Based EpsonNet Config es incorrecta.</p>	<p>La contraseña de administrador de Web-Based EpsonNet Config tiene un mínimo de 0 caracteres y un máximo de 16. Con respecto a los detalles sobre la contraseña de administrador de Web-Based EpsonNet Config, consulte la Guía de Referencia.</p>
<p>El papel está arrugado.</p> 	<p>El papel está mojado por la humedad o ha recibido salpicaduras de agua.</p>	<p>Elimine el papel húmedo y sustitúyalo por otro nuevo seco.</p>
	<p>El rodillo de transferencia o la unidad de fusión están defectuosos.</p>	<p>Verifíquelos para ver si están dañados. Si es necesario, póngase en contacto con el servicio de asistencia técnica e indíqueles la información del error.</p>
	<p>Está utilizando papel no compatible (tamaño, grosor, tipo, etc., erróneos).</p>	<p>Utilice papel aprobado por Epson. Consulte "Papel de impresión" de la página 64.</p>




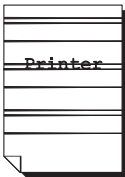
Síntoma	Causa	Solución
La fecha y la hora no se mantienen correctamente en la impresora.	Se ha alcanzado el fin de la duración útil de la pila de respaldo.	Sustituya la pila de respaldo. Con respecto a los detalles, consulte "Sustitución de la pila de respaldo" de la página 105.
Las páginas expulsadas no se cargaron uniformemente.	Hay muchos rizos en el papel.	Retire el papel de la bandeja de papel, déle la vuelta, y vuelva a cargarlo.
	Hay separaciones entre las guías de papel de la bandeja del papel y los lados del papel.	Deslice las guías del papel de la bandeja del papel contra los lados del papel de forma que no queden separaciones.
El disco duro se formateó automáticamente.	El disco duro estaba lleno.	Cuando el panel de control visualice <code>HDD NEAR FULL (DISCO DURO CASI LLENO)</code> , borre trabajos de impresión y recursos (fuentes, formatos, etc.) que fueron almacenados en el disco duro utilizando Web-Based EpsonNet Config.


Solución de problemas de calidad de impresión

Síntoma	Causa	Solución
<p>No se imprime nada, o hay puntos en blanco en la página impresa.</p> 	Una o más unidades fotoconductoras pueden estar defectuosas.	Retire las unidades fotoconductoras y verifique si están dañadas. Si está dañada, sustitúyala.
	El papel está mojado por la humedad.	Ajuste la humedad para almacenamiento del papel. Elimine el papel húmedo y sustitúyalo por otro nuevo seco.
	El papel establecido en el controlador de impresora no coincide con el papel cargado en la impresora.	Cargue el papel correcto en la impresora.
	La fuente de alimentación no coincide con las especificaciones de la impresora.	Utilice una fuente de alimentación con las especificaciones apropiadas.
	Se están alimentando varias hojas de papel al mismo tiempo.	Retire el papel de la bandeja y verifique si tiene electricidad estática. Abanique el papel normal u otro papel, y vuelva a colocarlo en la bandeja.
	El papel no está correctamente colocado en la(s) bandeja(s).	Retire el papel, golpéelo para enderezarlo, devuélvalo a la bandeja, y vuelva a alinear las guías del papel.

Síntoma	Causa	Solución
<p>Toda la hoja se imprime en negro o en color.</p> 	<p>Una o más unidades fotoconductoras pueden estar defectuosas.</p>	<p>Retire las unidades fotoconductoras y verifique si están dañadas. Si está dañada, sustitúyala.</p>
<p>La imagen es demasiado tenue; hay poca densidad en la imagen.</p> 	<p>La lente láser está sucia.</p>	<p>Limpie la lente láser.</p>
	<p>El papel está mojado por la humedad.</p>	<p>Elimine el papel húmedo y sustitúyalo por otro nuevo seco.</p>
	<p>No queda demasiado tóner en el cartucho.</p>	<p>Sustituya el cartucho de tóner.</p>
	<p>Una o más unidades fotoconductoras pueden estar defectuosas.</p>	<p>Retire las unidades fotoconductoras y verifique si están dañadas. Si uno está dañado, sustitúyalo.</p>
	<p>El tipo de papel está incorrectamente establecido.</p>	<p>Cuando imprima sobres, etiquetas, papel con membrete, tarjetas postales, papel grueso, papel satinado, papel de una cara solamente o papel especial, especifique el tipo apropiado de papel en el controlador de impresora.</p>
<p>La imagen es demasiado oscura.</p> 	<p>Una o más unidades fotoconductoras pueden estar defectuosas.</p>	<p>Retire las unidades fotoconductoras y verifique si están dañadas. Si uno está dañado, sustitúyalo.</p>
<p>La imagen está borrosa; el fondo está ligeramente manchado; hay insuficiente brillo en la imagen impresa.</p> 	<p>Una o más unidades fotoconductoras pueden estar defectuosas.</p>	<p>Retire las unidades fotoconductoras y verifique si están dañadas. Si una está dañada, sustitúyala.</p>

Síntoma	Causa	Solución
<p>La impresión o la densidad de los colores no es uniforme.</p> 	<p>Uno o más cartuchos de tóner pueden estar defectuosos o con poco tóner.</p>	<p>Retire los cartuchos de tóner y verifíquelos para ver si están dañados. Si uno está dañado, sustitúyalo.</p>
	<p>La impresora no está nivelada.</p>	<p>Coloque la impresora sobre una superficie plana, dura, y nivelada.</p>
<p>Aparece una impresión irregular o una imagen moteada.</p> 	<p>El papel está mojado por la humedad.</p>	<p>Ajuste la humedad del área de almacenamiento del papel. Elimine el papel húmedo y sustitúyalo por otro nuevo seco.</p>
	<p>Está utilizando papel no compatible (tamaño, grosor, tipo, etc., erróneos).</p>	<p>Utilice papel aprobado por Epson. Consulte "Papel de impresión" de la página 64.</p>
	<p>Una o más unidades fotoconductoras pueden estar defectuosas.</p>	<p>Retire las unidades fotoconductoras y verifique si están dañadas. Si está dañada, sustitúyala.</p>
<p>Hay insuficiente fijación o la imagen se desprende cuando se frota.</p> 	<p>El papel está mojado por la humedad.</p>	<p>Elimine el papel húmedo y sustitúyalo por otro nuevo seco.</p>
	<p>Está utilizando papel no compatible (tamaño, grosor, tipo, etc., erróneos).</p>	<p>Utilice papel aprobado por Epson. Consulte "Papel de impresión" de la página 64.</p>
	<p>El tipo de papel está incorrectamente establecido.</p>	<p>Cuando imprima sobres, etiquetas, papel con membrete, tarjetas postales, papel grueso, papel satinado, papel de una cara solamente o papel especial, especifique el tipo apropiado de papel en el controlador de impresora.</p>
<p>Hay manchones de tóner o imágenes residuales.</p> 	<p>Una o más unidades fotoconductoras pueden estar defectuosas o incorrectamente instaladas.</p>	<p>Retire las unidades fotoconductoras y verifique si están dañadas. Si una está dañada, sustitúyala.</p>

Síntoma	Causa	Solución
<p>Hay manchones de tóner en el reverso de la página (se haya duplexado o no).</p> 	<p>La vía del papel está sucia con tóner.</p>	<p>Imprima varias hojas en blanco y el tóner excesivo deberá desaparecer.</p>
	<p>Una o más unidades fotoconductoras pueden estar defectuosas.</p>	<p>Retire las unidades fotoconductoras y verifique si están dañadas. Si está dañada, sustitúyala.</p>
<p>En un patrón normal aparecen áreas anormales (blancas, negras, o en color).</p> 	<p>La lente láser está sucia.</p>	<p>Limpie la lente láser.</p>
	<p>Una unidad fotoconductora puede estar defectuosa.</p>	<p>Retire la unidad fotoconductora con el color que esté causando la imagen anormal. Reemplácela por otra unidad fotoconductora nueva.</p>
<p>La imagen está defectuosa.</p> 	<p>La lente láser está sucia.</p>	<p>Limpie la lente láser.</p>
	<p>Es posible que un cartucho de tóner tenga fugas.</p>	<p>Retire los cartuchos de tóner y verifíquelos para ver si están dañados. Si uno está dañado, sustitúyalo.</p>
	<p>Una unidad fotoconductora puede estar defectuosa.</p>	<p>Retire la unidad fotoconductora con el color que esté causando la imagen anormal. Reemplácela por otra unidad fotoconductora nueva.</p>
<p>En la imagen aparecen líneas o bandas laterales.</p> 	<p>La impresora no está nivelada.</p>	<p>Coloque la impresora sobre una superficie plana, dura, y nivelada.</p>
	<p>La vía del papel está sucia con tóner.</p>	<p>Imprima varias hojas y el tóner excesivo deberá desaparecer.</p>
	<p>Una o más unidades fotoconductoras pueden estar defectuosas.</p>	<p>Retire las unidades fotoconductoras y verifique si están dañadas. Si uno está dañado, sustitúyalo.</p>

Síntoma	Causa	Solución
Los colores aparecen drásticamente erróneos.	Una o más unidades fotoconductoras pueden estar defectuosas.	Retire las unidades fotoconductoras y verifique si el tóner está uniformemente distribuido en cada rodillo de cartucho, y vuelva a instalar las unidades fotoconductoras.
	Uno o más cartuchos de tóner pueden estar con poco tóner o vacíos.	Compruebe el panel de control para ver si muestra el mensaje TONER LOW X (TÓNER BAJO X) o REPLACE TONER X (CAMBIAR TÓNER X). Si es necesario, sustituya el cartucho de tóner especificado.
Los colores no se registran adecuadamente; los colores están mezclados o varía de página a página.	Una o más unidades fotoconductoras pueden estar defectuosas.	Retire las unidades fotoconductoras y verifique si están dañadas. Si uno está dañado, sustitúyalo.
	El papel está mojado por la humedad.	Elimine el papel húmedo y sustitúyalo por otro nuevo seco.
La reproducción de los colores es mala o la densidad de los colores es deficiente. 	Una o más unidades fotoconductoras pueden estar defectuosas.	Retire las unidades fotoconductoras y verifique si están dañadas. Si uno está dañado, sustitúyalo.

Mensajes de estado, error, y servicio

En la ventana de mensajes del panel de control se visualizan mensajes de estado, error, y servicio. Éstos proporcionan información sobre su impresora y le ayudarán a localizar muchos problemas. Cuando la condición asociado con un mensaje visualizado haya cambiado, el mensaje se borrará de la ventana.

Mensajes de estado estándar

Este mensaje...	significa...	haga lo siguiente...
CALIBRATING (CALIBRANDO)	Después de reemplazar un cartucho de tóner o una unidad fotoconductora, o después de reiniciar su impresora tras cambios de entorno, su impresora hará automáticamente una pausa para realizar el ciclo de control de densidad de imagen automática (AIDC). Este proceso se ofrece para hacer que la operación de la impresora sea fiable con la calidad de salida más óptima posible.	No se necesita ninguna acción.
CANCELLING JOB	El trabajo se está cancelando.	No se necesita ninguna acción.
COPYING (COPIANDO)	La impresora está imprimiendo con la función de intercalación.	No se necesita ninguna acción.
ENERGY SAVER (AHORRO ENERGÍA)	La impresora está en el modo de ahorro de energía para reducir el consumo de energía durante períodos de inactividad. Cuando se reciba un trabajo de impresión, la impresora volverá a la alimentación normal.	No se necesita ninguna acción.
FIRMWARE UPDATE (ACTUALZ FIRMWARE)	El firmware se está actualizando.	No se necesita ninguna acción.
INITIALIZING (INICIALIZANDO)	La impresora se está inicializando.	No se necesita ninguna acción.
PRINTING (imprimiendo)	La impresora está imprimiendo.	No se necesita ninguna acción.
PROCESSING (PROCESANDO)	La impresora está procesando datos.	No se necesita ninguna acción.
READY (LISTA)	La impresora está encendida y lista para recibir datos.	No se necesita ninguna acción.
REBOOTING (REINICIANDO)	La impresora se está reiniciando.	No se necesita ninguna acción.
WARMING UP (CALENTANDO)	La impresora se está calentando.	No se necesita ninguna acción.
OFFLINE (FUERA DE LÍNEA)	La impresora está fuera de línea.	Para imprimir en una red, cambie la opción TELNET para que esté en línea.

Mensajes de error (Advertencia)

Este mensaje...	significa...	haga lo siguiente...
AUTH TIMEOUT (PLAZO DE AU-)	El usuario sale automáticamente de sesión debido a la autenticación del puerto IEEE802.1X.	Vuelva a autorizar el puerto IEEE802.1X, y después entre en sesión.
DEVICE (NO SE SOPORTA) NOT SUPPORTED (HUBS)	Se ha conectado un dispositivo incompatible.	No conecte un dispositivo incompatible.
FUSER UNIT (UNIDAD FUSIÓN) END OF LIFE (FIN DURACIÓN)	Se ha alcanzado el fin de la duración útil de la unidad de fusión.	Sustituya la unidad de fusión y restablezca el contador en el menú MAINTENANCE MENU (MENU MANTENIMIENTO)/ SUPPLIES (SUMINISTROS)/ REPLACE (CAMBIAR)/ FUSER UNIT (UNIDAD FUSIÓN). Nota: La impresión puede continuar, no obstante, no se garantiza el resultado de la impresión.
HDD (DISCO DURO) NEAR FULL (CASI LLENDO)	El disco duro está lleno.	Elimine trabajos de impresión guardados en el disco duro.
HUBS (NO SE SOPORTAN) NOT SUPPORTED (HUBS)	Se ha conectado un concentrador USB.	No conecte un concentrador USB.
INCORRECT (INCORRECTA) HDD (DISCO DURO)	Como el disco duro se formateó con una máquina diferente, el disco duro no pudo utilizarse.	Sustituya el disco duro por otra compatible con esta máquina, o seleccione HDD FORMAT (FORMATO HDD) de SYS DEFAULT MENU (MENU SIST. PREDET.) y formatee el disco duro.
INCORRECT (INCORRECTA) P/U X (X UD. FOT.)	La unidad fotoconductora X es de un tipo no aprobado.	Instale una unidad fotoconductora Epson del tipo apropiado. Consulte "Sustitución de una unidad fotoconductora" de la página 95.
NONGENUINE (NO ORIGINAL) TONER X (YMCK X)	El cartucho de tóner instalado no es un producto genuino de Epson.	Se recomienda instalar un cartucho de tóner genuino.
P/U END (FIN UD. FOT.) X	Se ha alcanzado el fin de la duración útil de la unidad fotoconductora X.	Sustituya la unidad fotoconductora.
P/U LIFE (VIDA UD. FOT.) X	Se ha alcanzado el fin de la duración útil de la unidad fotoconductora X.	Sustituya la unidad fotoconductora. La impresión continúa hasta que aparece el mensaje "P/U END (FIN UD. FOT.)".

Este mensaje...	significa...	haga lo siguiente...
<p>P/U LOW (UD. FOT. BAJA) X</p>	<p>La unidad fotoconductora X está a punto de agotarse. (Aparece cuando SYS DEFAULT MENU (MENU SIST PREDET)/ ENABLE WARNING (AVISAR ACTIVADO)/P/U LOW (UD. FOT. BAJA) se establece a ON (ACTIVADO).)</p>	<p>Prepare otra unidad fotoconductora del color especificado.</p>
<p>PAPER EMPTY (PAPEL VACÍO) TRAY X (BAND X)</p>	<p>La bandeja X (Bandeja 1, 2 o 3) está vacía. (Aparece cuando SYS DEFAULT MENU (MENU SIST PREDET)/ ENABLE WARNING (AVISAR ACTIVADO)/PAPER EMPTY (PAPEL VACÍO)/TRAY X (BAND X) se establece a ON (ACTIVADO).)</p>	<p>Cargue papel en la bandeja especificada.</p>
	<p>La bandeja X (Bandeja 2 o 3) no está correctamente instalada. (Aparece cuando SYS DEFAULT MENU (MENU SIST PREDET)/ ENABLE WARNING (AVISAR ACTIVADO)/PAPER EMPTY (PAPEL VACÍO)/TRAY X (BAND X) se establece a ON (ACTIVADO).)</p>	<p>Instale correctamente la bandeja especificada.</p>
<p>PORT AUTH (AUTENTIFICAC.) ACTIVE (ACTIVA)</p>	<p>El puerto IEEE802.1X está procesando.</p>	<p>Espere hasta que se complete el proceso de autenticación.</p>
<p>REPLACE TONER (CAMBIAR TÓNER) X</p>	<p>El cartucho de tóner indicado se ha agotado.</p>	<p>Sustituya el cartucho de tóner indicado.</p>
<p>TONER LOW (TÓNER BAJO) X</p>	<p>El cartucho de tóner indicado está a punto de agotarse. (Aparece cuando SYS DEFAULT MENU (MENU SIST PREDET)/ ENABLE WARNING (AVISAR ACTIVADO)/TONER LOW (TÓNER BAJO) se establece a ON (ACTIVADO).)</p>	<p>Prepare el cartucho de tóner indicado.</p>
<p>TRANS. BELT (CORREA TRANSF) END OF LIFE (FIN DURACIÓN)</p>	<p>Se ha alcanzado el fin de la duración útil de la unidad de correa de transferencia.</p>	<p>Póngase en contacto con su vendedor o con proveedor de servicio autorizado.</p>
<p>TRANS. ROLLER (RODILLO TRANSF) END OF LIFE (FIN DURACIÓN)</p>	<p>Se ha alcanzado el fin de la duración útil del rodillo de transferencia.</p>	<p>Póngase en contacto con su vendedor o con proveedor de servicio autorizado.</p>

Este mensaje...	significa...	haga lo siguiente...
UNABLE TO (NO SE PUEDE) COLLATE JOB (INTERCAL TRAB)	El disco duro está lleno. No se pueden intercalar trabajos de impresión de más de 10.000 páginas.	Imprima una copia del archivo cada vez.
WASTE TONER (BOTELLA TÓNER) NEAR FULL (CASI LLENA)	La botella de residuos de tóner está casi llena.	Prepare una nueva botella de residuos de tóner.

Mensajes de error (Llamada al operador)

Este mensaje...	significa...	haga lo siguiente...
CONFIGURATION ERR (ERR CONFIGURACI)	La configuración de la impresora fue cambiada cuando la alimentación de la impresora estaba conectada.	Reinicie la impresora.
COVER OPEN (CUBIER.ABIER.) FRONT COVER (CUBIER.FRONT.)	La cubierta frontal de la impresora está abierta.	Cierre la cubierta frontal.
COVER OPEN (CUBIER.ABIER.) SIDE COVER (CUBIER.LATERAL)	La cubierta lateral derecha de la impresora está abierta.	Cierre la cubierta lateral derecha.
COVER OPEN (CUBIER.ABIER.) TRAY3 COVER (CUBIERTA BAND3)	La cubierta lateral derecha de la bandeja 3 está abierta.	Cierre la cubierta lateral derecha de la bandeja.
HOLD JOB ERROR (ERR.MANT TRAB) UNABLE TO (NO SE PUEDE) STORE JOB (GUARDAR TRAB.)	El trabajo de impresión especificado guardado en el disco duro se envía mientras el disco duro no está instalado.	Los trabajos de impresión solamente podrán guardarse si hay un disco duro instalado. Si lo desea, instale un disco duro.
HOLD JOB ERROR (ERR.MANT TRAB) "OPTIONAL" PRESS CANCEL (PULSE CANCELAR)	Al imprimir un trabajo guardado, la configuración de la impresora cambió desde que se guardó el trabajo.	Cambie la configuración de la impresora a la existente cuando se guardó el trabajo.
MANUAL EMPTY "SIZE" "MEDIA"	La bandeja 1 fue especificada con el controlador de la impresora como alimentación manual para impresión, pero la bandeja 1 está vacía.	Cargue el papel correcto en la bandeja 1.

Este mensaje...	significa...	haga lo siguiente...
MANUAL FEED (ALIMENT MANUAL) "SIZE" "MEDIA"	La fuente del papel en el controlador de la impresora está establecida a la bandeja 1 (alimentación manual), pero ya hay papel en la bandeja cuando se inicia la impresión.	Pulse la tecla Δ para imprimir, o extraiga y vuelva a cargar papel en la bandeja 1.
MEMORY FULL (Mem agotada) PRESS CANCEL (PULSE CANCELAR)	La impresora ha recibido más datos de los que puede procesar con su memoria interna.	Pulse la tecla Cancel para cancelar el trabajo de impresión. Reduzca la cantidad de datos que desee imprimir, y después vuelva a intentar la impresión. Si esto no resuelve el problema, instale un módulo de memoria opcional.
NONGENUINE (NO ORIGINAL) TONER X (YMCK X)	El cartucho de tóner instalado no es un producto genuino de Epson.	Se recomienda instalar un cartucho de tóner genuino.
P/U END (FIN UD. FOT.) REPLACE (CAMBIAR) X	Se ha alcanzado completamente el fin de la duración útil de la unidad fotoconductora X.	Sustituya la unidad fotoconductora.
P/U MISSING (FALTA UD. FOT.) CHECK X (VERIF X)	La unidad fotoconductora X no está instalada, o se ha instalado una unidad fotoconductora no aprobada.	Instale una unidad fotoconductora Epson correcta.
PAPER EMPTY (PAPEL VACÍO) "SIZE" "MEDIA"	La bandeja especificada está vacía. (Aparece cuando se establece PAPER MENU (MENU PAPEL)/ PAPER SOURCE (FUENTE DE PAPEL)/TRAY CHAINING (BAND ENCADENAM).)	Cargue el papel correcto en la bandeja especificada.
PAPER ERROR (ERROR PAPEL) "SIZE" "MEDIA"	El tamaño/tipo del papel establecido en el controlador de la impresora es diferente del tamaño/tipo del papel cargado. (Aparece cuando se establece PAPER MENU (MENU PAPEL)/PAPER SOURCE (FUENTE DE PAPEL)/TRAY CHAINING (BAND ENCADENAM).)	Cargue el papel con el tamaño y el tipo correctos.

Este mensaje...	significa...	haga lo siguiente...
PAPER JAM (ATASCO PAPEL) DUPLEX1	El papel se ha alimentado mal en el dúplex.	Pulse la tecla ∇ para hacer que se visualice la pantalla de ayuda. Siga las instrucciones de la pantalla ayuda para extraer el papel mal alimentado.
PAPER JAM (ATASCO PAPEL) DUPLEX2	El papel se ha alimentado mal en el dúplex.	
PAPER JAM (ATASCO PAPEL) SECOND TRANS (SEGUNDA TRANS)	El papel se ha alimentado mal en el área del rodillo de transferencia. Este tipo de mala alimentación significa que el papel no logró llegar al área de salida del papel.	
PAPER JAM (ATASCO PAPEL) TRAY1 (BAND1)	En la bandeja 1 hay papel mal alimentado.	
PAPER JAM (ATASCO PAPEL) TRAY X (BAND X)	El papel se ha alimentado mal mientras se estaba atrayendo desde la bandeja 2 (Bandeja 2 o 3).	
PAPER JAM (ATASCO PAPEL) VERTICAL TRANS (TRANS VERTICAL)	El papel se ha alimentado mal en el área de transferencia vertical.	
PAPER JAM (ATASCO PAPEL) FUSER/EXIT (FUSION/SALIDA)	El papel se ha alimentado mal al salir del área de fusión.	Pulse la tecla ∇ para hacer que se visualice la pantalla de ayuda. Siga las instrucciones de la pantalla ayuda para extraer el papel mal alimentado.
	Los cartuchos de tóner y las unidades fotoconductoras adjuntados no están instalados.	Cerciórese de instalar los cartuchos de tóner y las unidades fotoconductoras adjuntados.
REPLACE TONER (CAMBIAR TÓNER) X	El cartucho de tóner X está completamente vacío.	Sustituya el cartucho de tóner.
TONER MISSING (FALTA TÓNER) CHECK X (VERIF X)	El cartucho de tóner X no está instalado, o ha instalado un cartucho de tóner no aprobado.	Instale un cartucho de tóner Epson correcto.
TRAYX EMPTY "SIZE" "MEDIA"	La X (bandeja 1, 2 o 3) fue especificada con el controlador de la impresora para impresión, pero la bandeja X está vacía. Este mensaje aparecerá cuando el menú PAPER MENU (MENU PAPEL)/ PAPER SOURCE (FUENTE DE PAPEL)/TRAY CHAINING (BAND ENCADENAM) esté establecido a OFF (DESACTIVADO).	Cargue el papel correcto en la bandeja especificada.

Este mensaje...	significa...	haga lo siguiente...
TRAYX (BANDX) PAPER ERR (ERR.PAP.) "SIZE" "MEDIA"	El tamaño/tipo del papel establecido en el controlador de la impresora es diferente del tamaño/tipo del papel cargado. Este mensaje aparecerá cuando el menú PAPER MENU (MENU PAPEL)/ PAPER SOURCE (FUENTE DE PAPEL)/TRAY CHAINING (BAND ENCADENAM) esté establecido a OFF (DESACTIVADO).	Cargue el papel con el tamaño y el tipo correctos.
TRAYX SIZE ERR (ERR.TAM. BANDX) ADD (AGREGAR) "SIZE"	El tamaño del papel establecido en el controlador de la impresora es diferente del tamaño del papel cargado.	Cargue papel del tamaño correcto en la bandeja especificada.
WASTE TONER FULL (TON.RES LLENO) REPLACE BOTTLE (CAMBIAR BOX)	a botella de residuos de tóner está llena.	Instale una nueva botella de residuos de tóner.

Mensajes de servicio

Estos mensajes indican un error más serio que solamente puede ser corregido por un ingeniero del servicio de ayuda al cliente. Si aparece uno de estos mensajes, apague la impresora, y después vuelva a encenderla. Si el problema persiste, póngase en contacto con su vendedor local o con proveedor de servicio autorizado.

Este mensaje de servicio...	significa...	haga lo siguiente...
SERVICE CALL XXXX (LLAM. SERV XXXX) "Error"	Se ha detectado un error con el elemento indicado como "XXXX" en el mensaje de servicio. La información sobre los errores aparece en la parte inferior de la ventana de mensajes.	Reinicie la impresora. Esto a veces elimina el mensaje de servicio, y la operación de la impresora puede reanudarse. Si el problema persiste, póngase en contacto con el servicio de asistencia técnica.

Capítulo 9

Instalación de accesorios

Introducción

Nota:

La utilización de accesorios no fabricados o soportados por Epson anulará su garantía.

Módulo de memoria con doble fila de contactos (DIMM)	DIMM de 512 MB
Casete de papel de 500 hojas (Bandeja 3)	Bandeja de 500 hojas incluida
Disco duro	Disco duro SATA

Nota:

- Antes de la instalación de accesorios se requiere siempre que la impresora y los accesorios estén apagados y desenchufados.*
- Esta impresora no acepta tarjeta CompactFlash.*

Protección antiestática

Nota:

Es muy importante proteger la tarjeta del controlador de la impresora contra daños producidos por la electrostática cuando se realice cualquier tarea que implique la tarjeta del controlador.

Abra en primer lugar todos los interruptores de alimentación. Si el juego opcional de su impresora dispone de una pulsera antiestática, fije un extremo a su muñeca y el otro al chasis metálico desnudo de la parte posterior de la impresora. No fije nunca la pulsera a ninguna parte del equipo con corriente eléctrica presente. El plástico, el caucho, la madera, las superficies metálicas pintadas, y los teléfonos no son puntos de puesta a tierra aceptables.

Si no posee pulsera antiestática, descargue la electricidad estática de su cuerpo tocando una superficie puesta a tierra antes de manejar cualquier tarjeta de impresora o componentes. Además evite caminar por los alrededores después de haberse puesto a tierra.

Módulo de memoria con doble fila de contactos (DIMM)

Nota:

Es posible que necesite memoria adicional (DIMM) para gráficos complicado y para impresión dúplex (dos caras).

Esta máquina detecta solamente la mitad de la cantidad de memoria instalada.

El módulo de memoria con doble fila de contactos (o DIMM) es una tarjeta de circuitos compacta con chips de memoria montados en la superficie.

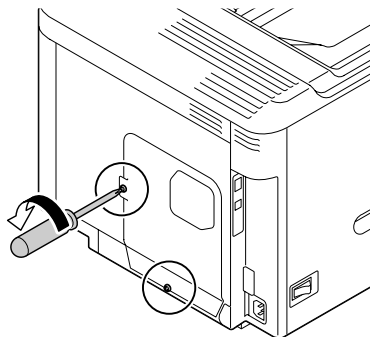
Hay 256 MB de memoria en la tarjeta y una ranura de ampliación de la memoria disponible. La memoria podrá ampliarse hasta un máximo de 768 MB (256 MB + 512 MB).

Instalación de un DIMM

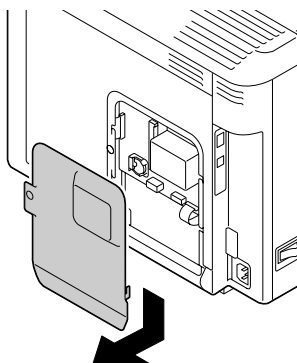
Nota:

Es muy importante proteger la tarjeta del controlador de la impresora y cualquier tarjeta de circuitos asociada contra daños producidos por la electrostática. Antes de realizar este procedimiento, revise la precaución sobre electrostática de la “Protección antiestática” de la página 158. Además, maneje las tarjetas de circuitos tomándolas solamente por los bordes.

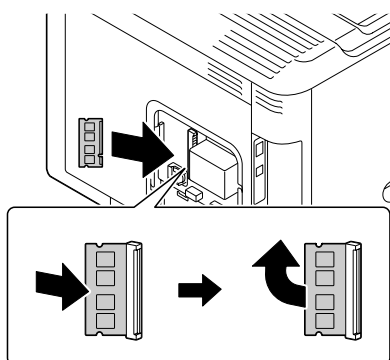
1. Apague la impresora y desconecte los cables de alimentación y de interfaz.
2. Utilizando un destornillador, extraiga dos tornillos.



3. Deslice ligeramente el panel hacia abajo y levántelo fuera de la impresora.



4. Inserte la DIMM con cierto ángulo (unos 45°) en el conector, cerciorándose que la muesca de la unidad quede alineada con la lengüeta del conector, y después presione cuidadosamente hacia abajo hasta que chasquee en su lugar.



Nota:

- ❑ *Cerciórese de manejar la DIMM solamente por los bordes.*
 - ❑ *Cuando la DIMM quede adecuadamente colocada, oirá un clic.*
5. Reinstale el panel y apriete los dos tornillos.
 6. Vuelva conectar todos los cables de interfaz.
 7. Vuelva a conectar el cable de alimentación, y encienda la impresora.
 8. Declare la Printer Memory (Memoria de la impresora) adicional en el controlador de la impresora de Windows (Propiedades/ficha Configure (Configurar)).

9. Imprima una página de configuración (PRINT MENU (MENU IMPRESION)/CONFIGURATION PG (PÁGINA CONFIG)) y verifique que la cantidad total de RAM instalada en su impresora esté listada.

Disco duro (C12C824511)

Si instala un disco duro, podrá realizar las cosas siguientes.

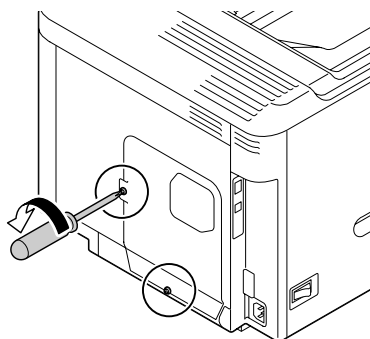
- Impresión con intercalación
- Imprimir/almacenar trabajos
- Descargar fuentes/formatos
- Autenticación de usuario/Seguimiento de cuenta
- Impresión directa

Instalación del disco duro

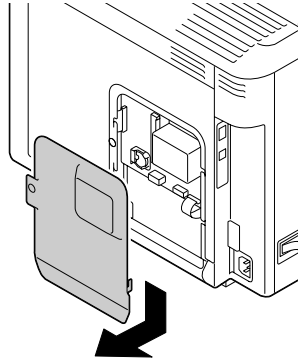
Nota:

Es muy importante proteger la tarjeta del controlador de la impresora y cualquier tarjeta de circuitos asociada contra daños producidos por la electrostática. Antes de realizar este procedimiento, revise la precaución sobre electrostática de la “Protección antiestática” de la página 158. Además, maneje las tarjetas de circuitos tomándolas solamente por los bordes.

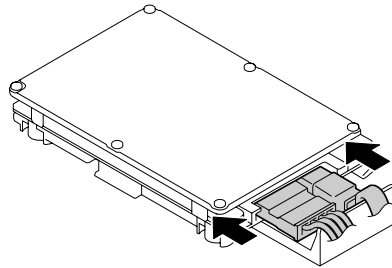
1. Apague la impresora y desconecte los cables de alimentación y de interfaz.
2. Utilizando un destornillador, extraiga dos tornillos.



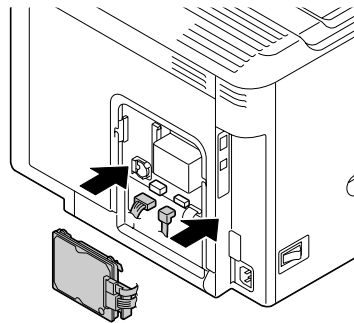
3. Deslice ligeramente el panel hacia abajo y levántelo fuera de la impresora.



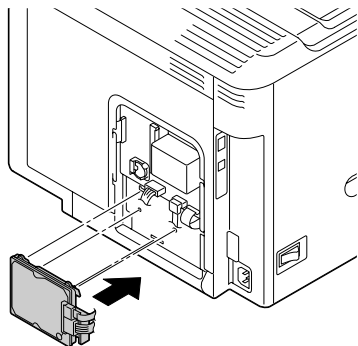
4. Fije los dos cables al disco duro.



5. Enchufe los dos cables del disco duro en el conector.



6. Inserte los cuatro pasadores de montaje del disco duro en los orificios para montar el disco duro.



7. Reinstale el panel y apriete los dos tornillos.
8. Vuelva conectar todos los cables de interfaz.
9. Vuelva a conectar el cable de alimentación, y encienda la impresora.
10. Declare la Hard Disk (Disco duro) en el controlador de la impresora de Windows (Propiedades/ficha Configure (Configurar)).

Casete de papel de 500 hojas (C12C802651)

Podrá instalar un casete de papel de 500 hojas opcional (Bandeja 3).

Instalación de un casete de papel de 500 hojas

Nota:

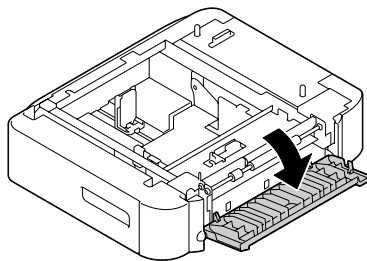
Como la impresora tiene instalados productos consumibles, cerciórese de mantener la impresora nivelada cuando la mueva a fin de que se produzcan derrames accidentales.

1. Apague la impresora y desconecte los cables de alimentación y de interfaz.
2. Prepare el casete de papel de 500 hojas.

Nota:

Cerciórese de colocar el casete de papel de 500 hojas sobre una superficie nivelada.

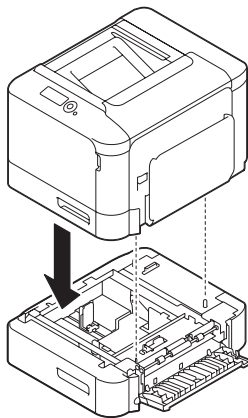
3. Abra la cubierta lateral derecha del casete de papel de 500 hojas.



Nota:

La cubierta lateral derecha del del casete de papel de 500 hojas deberá abrirse antes de poder instalar el alimentador en la impresora.

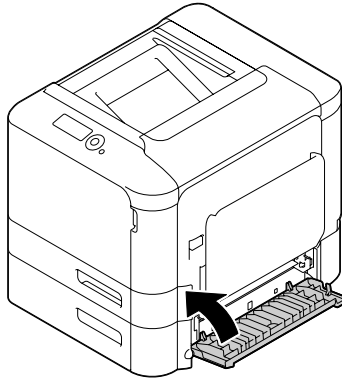
4. Con la ayuda de otra persona, coloque la impresora sobre el casete de papel de 500 hojas, cerciorándose de que los pasadores de posicionamiento del casete de papel de 500 hojas encajen correctamente en los orificios de la parte inferior de la impresora.



Advertencia:

Esta impresora pesa aproximadamente 27 kg (60 libras) cuando esté completamente cargada con productos consumibles. La impresora deberá ser levantada por dos personas.

5. Cierre la cubierta lateral derecha del casete de papel de 500 hojas.



6. Vuelva conectar todos los cables de interfaz.
7. Vuelva a conectar el cable de alimentación, y encienda la impresora.
8. Declare la Paper Source Unit 3 (Fuente de papel Unidad 3) en el controlador de la impresora de Windows (Propiedades/ficha Configure (Configurar)).

Apéndice A

Apéndice

Especificaciones técnicas

Impresora

Tipo	Impresora de haz láser de A4 a todo color en tándem de escritorio	
Sistema de impresión	Sistema de impresión electrofotográfico	
Sistema de exposición	4 diodos láser doble y 1 espejo poligonal	
Sistema de revelado	SMT monocomponente	
Resolución	600 ppp × 600 ppp × 3 bits	
Tamaños de papel	Bandeja 1	Anchura de papel: 92 a 216 mm longitud de papel: 148 a 356 mm
	Bandeja 2	Anchura de papel: 92 a 216 mm longitud de papel: 148 a 297 mm
	Bandeja 3	B5 (JIS) - Legal
Papel	<input type="checkbox"/> Papel normal (60 a 90 g/m ²) <input type="checkbox"/> Reciclado (60 a 90 g/m ²) <input type="checkbox"/> Sobres <input type="checkbox"/> Membrete <input type="checkbox"/> Etiqueta <input type="checkbox"/> Papel grueso 1 (91 a 150 g/m ²) <input type="checkbox"/> Papel grueso 2 (151 a 210 g/m ²) <input type="checkbox"/> Tarjeta postal <input type="checkbox"/> Papel satinado 1 (100 -128 g/m ²) <input type="checkbox"/> Papel satinado 2 (129 -158 g/m ²) <input type="checkbox"/> Sólo una cara (60 a 90 g/m ²) <input type="checkbox"/> Papel especial (60 a 90 g/m ²)	

Capacidad de entrada	Bandeja 1	Papel normal/Reciclado:/Sólo una cara/Papel especial: 100 hojas Sobre: 10 sobres Etiqueta/Tarjeta postal/Grueso 1/Grueso 2/Satinado 1/Satinado 2/Membrete: 20 hojas
	Bandeja 2	Papel normal/Reciclado:/Sólo una cara/Papel especial: 250 hojas Etiqueta/Tarjeta postal/Grueso 1/Grueso 2/Satinado 1/Satinado 2/Membrete: 20 hojas
	Bandeja 3	Papel normal/Reciclado:/Sólo una cara/Papel especial: 500 hojas
Capacidad de salida	Bandeja de salida	200 hojas (Papel normal: 80 g/m ²)
Temperatura de funcionamiento	de 10 a 30°C (de 50 a 86°F) Nota: Fluctuaciones de no más de 10°C dentro de una hora.	
Humedad de funcionamiento	15 a 85% Nota: Fluctuaciones de no más del 10% dentro de una hora.	
Alimentación	CA 120 V, 60 Hz CA 220 a 240 V, 50 a 60 Hz	
Consumo de energía	CA 120 V: 1100 W o menos CA 220 a 240 V: 1200 W o menos Modo de ahorro de energía 15 W o menos	
Amperaje	CA 120 V: 8,8 A o menos CA 220 a 240 V: 4,6 A o menos	
Ruido acústico	Imprimiendo: 54 dB o menos En espera: 39 dB o menos	
Dimensiones externas	Altura: 330 mm (13,0") Anchura: 444 mm (17,5") Profundidad: 531 mm (20,9") Nota: Excluyendo algunas partes salientes u la bandeja de alimentación manual.	

Peso	Epson AcuLaser C3900N: aproximadamente 22 kg (sin productos consumibles) aproximadamente 27 kg (con productos consumibles) Epson AcuLaser C3900DN: aproximadamente 23 kg (sin productos consumibles) aproximadamente 27 kg (con productos consumibles)
Interfaz	Compatible con USB 2.0 (High Speed), 10Base-T/100Base-TX/1000Base-T Ethernet, Host USB (Impresión desde dispositivo USB)
Memoria estándar	256 MB

Índice

A		I	
Accesorios.....	158	Impresora	
Casete de papel de 500 hojas.....	163	Partes.....	16
DIMMs.....	159	M	
Disco duro.....	161	Mantenimiento.....	112
Almacenamiento del papel.....	86	Memory Direct.....	62
Área imprimible.....	74	Mensajes.....	150
B		Mensajes de error.....	152
Bandeja de salida.....	86	Mensajes de servicio.....	157
C		Menú de configuración.....	31
Calidad de impresión.....	146	Módulo de memoria con doble fila de contactos.....	159
Carga del papel.....	76	P	
Casete de papel de 500 hojas.....	163	Panel de control.....	29
Controlador de la impresora (Postscript, PCL).....	22	Papel	
Desinstalación.....	21	Área imprimible.....	74
Ficha Avanzada.....	24	Carga.....	76
Ficha Básico.....	24	Eliminación de papel mal alimentado:Eliminación	
Ficha Calidad.....	27	125
Ficha Marca de agua/superposición.....	26	Prevención de mala alimentación.....	124
Ficha Otros.....	28	Papel con membrete.....	70
Ficha Portada.....	26	Papel especial.....	73
Ficha Presentación.....	25	Papel grueso.....	68
My Tab.....	24	Papel mal alimentado	
Controlador de la impresora (PPD)		Bandeja 1.....	137
Desinstalación.....	21	Bandeja 2.....	126
D		Bandeja 3.....	129
Descarga electrostática.....	158	Opción dúplex.....	132
Disco duro.....	161	Rodillo de transferencia.....	137
Duplexión.....	84	Unidad de fusión.....	133
E		Papel normal.....	66
Etiquetas.....	69	Papel satinado.....	72
		Piezas de mantenimiento	
		Unidad de fusión.....	107
		Prevención de mala alimentación del papel.....	124
		Problemas de mala alimentación.....	139
		Prevención.....	124
		Productos consumibles	

Botella de residuos de tóner.....	102
Cartucho de tóner.....	88
Pila de respaldo.....	105
Unidad fotoconductora.....	95
Protección antiestática.....	158

S

Sobres.....	68
Solución de problemas.....	124

T

Tarjetas postales.....	71
Tipo de papel.....	73
Etiquetas.....	69
Papel con membrete.....	70
Papel grueso.....	68
Papel normal.....	66
Papel satinado.....	72
Sobres.....	68
Tarjetas postales.....	71
Una cara solamente.....	73

U

Una cara solamente.....	73
-------------------------	----

V

Ventana de mensajes.....	30
--------------------------	----