



Epson AcuLaser C3900 Series

Guide d'utilisation

NPD4278-02 FR

Copyright

La reproduction, l'enregistrement ou la diffusion de tout ou partie de ce manuel, sous quelque forme et par quelque moyen que ce soit, mécanique, photocopie, sonore ou autre, est interdit sans l'autorisation écrite préalable de Seiko Epson Corporation. Aucune responsabilité n'est assumée quant à l'utilisation des informations de ce manuel relatives aux brevets. Aucune responsabilité n'est également assumée quant aux dommages pouvant résulter de l'utilisation des informations contenues dans ce manuel.

La société Seiko Epson Corporation et ses filiales ne peuvent être tenues pour responsables des préjudices, pertes, coûts ou dépenses subis par l'acquéreur de ce produit ou par des tiers, résultant d'un accident, d'une utilisation non conforme ou abusive de l'appareil, de modifications, de réparations ou de transformations non autorisées de ce produit ou encore du non-respect (à l'exception des Etats-Unis d'Amérique) des instructions d'utilisation et d'entretien recommandées par Seiko Epson Corporation.

Seiko Epson Corporation décline toute responsabilité en cas de dommages ou d'incidents pouvant survenir suite à l'utilisation d'accessoires ou de consommables autres que les produits originaux de Epson ou agréés par la société Seiko Epson Corporation.

EPSON est une marque déposée et Epson AcuLaser est une marque ou une marque déposée de Seiko Epson Corporation.

Accord de licence logiciel

Ce package contient les éléments suivants fournis par Seiko Epson Corporation (Epson) : le logiciel faisant partie intégrante du système d'impression (« Logiciel d'impression »), les données numériques de contour lisibles par la machine, codées au format spécial et sous forme cryptée (« Programmes de polices »), un autre logiciel fonctionnant sur un système informatique à utiliser conjointement avec le Logiciel d'impression (« Logiciel hôte »), et des instructions écrites connexes (« Documentation »). Le terme « Logiciel » s'emploie pour désigner le Logiciel d'impression, les Programmes de polices et/ou le Logiciel hôte, ainsi que toutes mises à jour, versions modifiées, compléments et copies du Logiciel. Le Logiciel vous est fourni sous licence selon les termes et conditions du présent Accord. Epson vous accorde une sous-licence d'exploitation non exclusive du Logiciel et de sa Documentation, à condition que vous acceptiez ce qui suit :

1. Vous pouvez utiliser le Logiciel et les Programmes de polices associés pour imprimer sur le(s) périphérique(s) de sortie sous licence, exclusivement à vos propres fins d'exploitation interne.
2. Outre la licence pour les Programmes de polices mentionnés au paragraphe 1 ci-dessus, vous pouvez utiliser des Programmes de polices Roman pour reproduire des tailles, styles et versions de lettres, chiffres, caractères et symboles (« Polices ») à l'écran, à vos propres fins d'exploitation interne.

3. Vous pouvez faire une copie unique de sauvegarde du Logiciel hôte, à condition que cette copie ne soit pas installée ou utilisée sur un quelconque ordinateur. Nonobstant les restrictions ci-dessus, vous pouvez installer le Logiciel hôte sur un nombre illimité d'ordinateurs dédiés à être utilisés avec un ou plusieurs systèmes d'impression fonctionnant avec le Logiciel d'impression.
4. Vous pouvez attribuer tous les droits stipulés dans cet Accord à un dépositaire des droits et intérêts de tous les bénéficiaires de cette licence Logiciel et Documentation (« Dépositaire »), à condition de transférer au Dépositaire toutes les copies du Logiciel et sa Documentation associée. Le Dépositaire accepte d'être lié par tous les termes et conditions de cet Accord.
5. Vous acceptez de ne pas modifier, adapter ou traduire le Logiciel et sa Documentation.
6. Vous acceptez de ne pas faire de tentatives pour altérer, dissocier, décoder, contrefaire ou décompiler le Logiciel.
7. Epson et ses ayants droit conserveront le titre et la propriété du Logiciel et de sa Documentation ainsi que de toutes leurs éventuelles reproductions.
8. L'utilisation de noms de marques se fera conformément à la pratique courante, notamment avec mention du nom de leur propriétaire respectif. Les noms de marques ne peuvent être utilisés qu'à des fins d'identification de l'imprimé produit par le Logiciel. Cette utilisation ne vous confère aucun droit de propriété sur la marque citée dans ce contexte.
9. Vous ne pouvez pas louer, céder en bail, sous-licencier, prêter ou transférer des versions ou copies du Logiciel non utilisé par le titulaire de la licence, de même que des versions ou copies du Logiciel contenues sur un support inhabituel, sauf dans le cadre d'un transfert permanent de l'ensemble Logiciel et Documentation mentionné plus haut.
10. VOUS NE POURREZ EN AUCUN CAS TENIR EPSON OU AGREE POUR RESPONSABLE DE DOMMAGES CONSEQUENTS, FORTUITS, INDIRECTS, PUNITIFS OU SPECIAUX, Y COMPRIS DE PERTES PECUNIAIRES, MEME SI EPSON A ETE AVERTI DE L'EVENTUALITE DE TELS DOMMAGES, OU DE TOUTE PLAINTTE EMANANT D'UNE TIERCE PARTIE. EPSON OU AGREE REJETTE TOUTES FORMES DE GARANTIE CONCERNANT LE LOGICIEL, EXPRESSE OU IMPLICITE, INCLUANT SANS LIMITATION, DES GARANTIES DE COMMERCIALISATION ET D'ADAPTATION A DES FINS PARTICULIERES, ET DES DROITS DE TITRE ET D'EXCLUSIVITE DE TIERCES PARTIES. L'EXCLUSION OU LA LIMITATION DE DOMMAGES FORTUITS, CONSEQUENTS OU SPECIAUX N'EST PAS AUTORISEE DANS CERTAINS ETATS OU SOUS CERTAINES JURIDICTIONS. PAR CONSEQUENT, LES LIMITATIONS CI-DESSUS PEUVENT NE PAS VOUS CONCERNER.

11. Avis aux utilisateurs finaux dans l'Administration U.S. : Le Logiciel est un « objet commercial » tel que défini à l'article 48 C.F.R. 2.101, consistant en un « logiciel informatique commercial » et en une « documentation de logiciel informatique commercial » comme mentionnés à l'article 48 C.F.R. 12.212. Conformément aux articles 48 C.F.R. 12.212 et 48 C.F.R. 227.7202-1 à 227.7202-4, le Logiciel est acquis par tout utilisateur final dans l'Administration U.S. avec les seuls droits stipulés dans le présent Accord.
12. Vous acceptez de ne pas exporter le Logiciel sous une forme quelconque contrevenant à toutes les lois et réglementations en vigueur pour le contrôle d'exportation dans tout pays.

About Adobe Color Profile

ADOBE SYSTEMS INCORPORATED COLOR PROFILE LICENSE AGREEMENT

NOTICE TO USER: PLEASE READ THIS CONTRACT CAREFULLY. BY USING ALL OR ANY PORTION OF THE SOFTWARE YOU ACCEPT ALL THE TERMS AND CONDITIONS OF THIS SOFTWARE YOU ACCEPT ALL THE TERMS AND CONDITIONS OF THIS AGREEMENT. IF YOU DO NOT AGREE WITH THE TERMS OF THIS AGREEMENT, DO NOT USE THE SOFTWARE.

1. **DEFINITIONS** In this Agreement, “Adobe” means Adobe Systems Incorporated, a Delaware corporation, located at 345 Park Avenue, San Jose, California 95110. “Software” means the software and related items with which this Agreement is provided.
2. **LICENSE** Subject to the terms of this Agreement, Adobe hereby grants you the worldwide, non-exclusive, nontransferable, royalty-free license to use, reproduce and publicly display the Software. Adobe also grants you the rights to distribute the Software only (a) as embedded within digital image files and (b) on a standalone basis. No other distribution of the Software is allowed; including, without limitation, distribution of the Software when incorporated into or bundled with any application software. All individual profiles must be referenced by their ICC Profile description string. You may not modify the Software. Adobe is under no obligation to provide any support under this Agreement, including upgrades or future versions of the Software or other items. No title to the intellectual property in the Software is transferred to you under the terms of this Agreement. You do not acquire any rights to the Software except as expressly set forth in this Agreement.

3. **DISTRIBUTION** If you choose to distribute the Software, you do so with the understanding that you agree to defend, indemnify and hold harmless Adobe against any losses, damages or costs arising from any claims, lawsuits or other legal actions arising out of such distribution, including without limitation, your failure to comply with this Section 3. If you distribute the Software on a standalone basis, you will do so under the terms of this Agreement or your own license agreement which (a) complies with the terms and conditions of this Agreement; (b) effectively disclaims all warranties and conditions, express or implied, on behalf of Adobe; (c) effectively excludes all liability for damages on behalf of Adobe; (d) states that any provisions that differ from this Agreement are offered by you alone and not Adobe and (e) states that the Software is available from you or Adobe and informs licensees how to obtain it in a reasonable manner on or through a medium customarily used for software exchange. Any distributed Software will include the Adobe copyright notices as included in the Software provided to you by Adobe.

4. **DISCLAIMER OF WARRANTY** Adobe licenses the Software to you on an “AS IS” basis. Adobe makes no representation as to the adequacy of the Software for any particular purpose or to produce any particular result. Adobe shall not be liable for loss or damage arising out of this Agreement or from the distribution or use of the Software or any other materials. **ADOBE AND ITS SUPPLIERS DO NOT AND CANNOT WARRANT THE PERFORMANCE OR RESULTS YOU MAY OBTAIN BY USING THE SOFTWARE, EXCEPT FOR ANY WARRANTY, CONDITION, REPRESENTATION OR TERM TO THE EXTENT TO WHICH THE SAME CANNOT OR MAY NOT BE EXCLUDED OR LIMITED BY LAW APPLICABLE TO YOU IN YOUR JURISDICTION, ADOBE AND ITS SUPPLIERS MAKE NO WARRANTIES, CONDITIONS, REPRESENTATIONS OR TERMS, EXPRESS OR IMPLIED, WHETHER BY STATUTE, COMMON LAW, CUSTOM, USAGE OR OTHERWISE AS TO ANY OTHER MATTERS, INCLUDING BUT NOT LIMITED TO NON-INFRINGEMENT OF THIRD PARTY RIGHTS, INTEGRATION, SATISFACTORY QUALITY OR FITNESS FOR ANY PARTICULAR PURPOSE. YOU MAY HAVE ADDITIONAL RIGHTS WHICH VARY FROM JURISDICTION TO JURISDICTION.** The provisions of Sections 4, 5 and 6 shall survive the termination of this Agreement, howsoever caused, but this shall not imply or create any continued right to use the Software after termination of this Agreement.

5. **LIMITATION OF LIABILITY IN NO EVENT WILL ADOBE OR ITS SUPPLIERS BE LIABLE TO YOU FOR ANY DAMAGES, CLAIMS OR COSTS WHATSOEVER OR ANY CONSEQUENTIAL, INDIRECT, INCIDENTAL DAMAGES, OR ANY LOST PROFITS OR LOST SAVINGS, EVEN IF AN ADOBE REPRESENTATIVE HAS BEEN ADVISED OF THE POSSIBILITY OF SUCH LOSS, DAMAGES, CLAIMS OR COSTS OR FOR ANY CLAIM BY ANY THIRD PARTY. THE FOREGOING LIMITATIONS AND EXCLUSIONS APPLY TO THE EXTENT PERMITTED BY APPLICABLE LAW IN YOUR JURISDICTION. ADOBE'S AGGREGATE LIABILITY AND THAT OF ITS SUPPLIERS UNDER OR IN CONNECTION WITH THIS AGREEMENT SHALL BE LIMITED TO THE AMOUNT PAID FOR THE SOFTWARE.** Nothing contained in this Agreement limits Adobe's liability to you in the event of death or personal injury resulting from Adobe's negligence or for the tort of deceit (fraud). Adobe is acting on behalf of its suppliers for the purpose of disclaiming, excluding and/or limiting obligations, warranties and liability as provided in this Agreement, but in no other respects and for no other purpose.
6. **TRADEMARKS** Adobe and the Adobe logo are the registered trademarks or trademarks of Adobe in the United States and other countries. With the exception of referential use, you will not use such trademarks or any other Adobe trademark or logo without separate prior written permission granted by Adobe.
7. **TERM** This Agreement is effective until terminated. Adobe has the right to terminate this Agreement immediately if you fail to comply with any term hereof. Upon any such termination, you must return to Adobe all full and partial copies of the Software in your possession or control.
8. **GOVERNMENT REGULATIONS** If any part of the Software is identified as an export controlled item under the United States Export Administration Act or any other export law, restriction or regulation (the "Export Laws"), you represent and warrant that you are not a citizen, or otherwise located within, an embargoed nation (including without limitation Iran, Iraq, Syria, Sudan, Libya, Cuba, North Korea, and Serbia) and that you are not otherwise prohibited under the Export Laws from receiving the Software. All rights to use the Software are granted on condition that such rights are forfeited if you fail to comply with the terms of this Agreement.
9. **GOVERNING LAW** This Agreement will be governed by and construed in accordance with the substantive laws in force in the State of California as such laws are applied to agreements entered into and to be performed entirely within California between California residents. This Agreement will not be governed by the conflict of law rules of any jurisdiction or the United Nations Convention on Contracts for the International Sale of Goods, the application of which is expressly excluded. All disputes arising out of, under or related to this Agreement will be brought exclusively in the state Santa Clara County, California, USA.

10. GENERAL You may not assign your rights or obligations granted under this Agreement without the prior written consent of Adobe. None of the provisions of this Agreement shall be deemed to have been waived by any act or acquiescence on the part of Adobe, its agents, or employees, but only by an instrument in writing signed by an authorized signatory of Adobe. When conflicting language exists between this Agreement and any other agreement included in the Software, the terms of such included agreement shall apply. If either you or Adobe employs attorneys to enforce any rights arising out of or relating to this Agreement, the prevailing party shall be entitled to recover reasonable attorneys' fees. You acknowledge that you have read this Agreement, understand it, and that it is the complete and exclusive statement of your agreement with Adobe which supersedes any prior agreement, oral or written, between Adobe and you with respect to the licensing to you of the Software. No variation of the terms of this Agreement will be enforceable against Adobe unless Adobe gives its express consent, in writing, signed by an authorized signatory of Adobe.

ICC Profile for TOYO INK Standard Color on Coated paper (TOYO Offset Coated 3.0)

This ICC Profile (TOYO Offset Coated 3.0) characterizes Japanese offset press on Coated paper and is fully compatible with ICC profile format.

About "TOYO INK Standard Color on Coated paper"

This is the standard for color reproduction of sheet-fed offset press on Coated paper made by TOYO INK MFG.CO., LTD. ("TOYO INK").

This standard is made from printing test with using TOYO INK's sheet-fed offset printing inks and TOYO INK's own printing conditions.

"TOYO INK Standard Color on Coated paper" is compatible with "JAPAN COLOR".

Agreement

1. The reproduction of images on a printed material or a monitor using this ICC Profile do not always match the TOYO INK Standard Color on Coated paper.
2. In no event will TOYO INK, its directors, officers, employees or agents be liable to you for any damages whether direct or indirect or, consequential or incidental (including damages for loss of business profits, business interruption, loss of business information, and the like) arising out of the use or inability to use this ICC Profile.
3. Any and all copyrights of this ICC Profile shall remain in TOYO INK; therefore you shall not transfer, provide, rent, distribute, disclose, or grant any rights in this ICC Profile to any third party without the prior written consent of TOYO INK.

4. TOYO INK shall not be responsible for answering any questions related to this ICC Profile.
5. All company names and product names used in this document are the trademarks or registered trademarks of their respective holder.
6. This ICC Profile is made by X-Rite ProfileMaker and granted TOYO INK certain license to distribute by X-Rite, Inc..

TOYO Offset Coated 3.0 © TOYO INK MFG. CO., LTD. 2010

DIC STANDARD COLOR PROFILE LICENSE AGREEMENT

IMPORTANT: PLEASE READ THIS STANDARD COLOR PROFILE LICENSE AGREEMENT (“LICENSE AGREEMENT”) CAREFULLY BEFORE USING THE DIC STANDARD COLOR PROFILE, INCLUDING THE DIC STANDARD SFC_AM2.0, DIC STANDARD SFM_AM2.0, DIC STANDARD SFU_AM2.0, DIC STANDARD SFC_FM2.0, DIC WAKIMIZU SFC_AM2.0, DIC WAKIMIZU SFC_FM2.0, DIC ABILIO SFC_AM1.0, DIC HY-BRYTE SFC_AM1.0, DIC STANDARD WEBC_AM2.1, DIC STANDARD WEBC_FM2.1, DIC NEWSCOLOR_AM1.0, DIC NEWSCOLOR_FM1.0, PROVIDED BY DIC HEREWITH, AND ANY CORRESPONDING ONLINE OR ELECTRONIC DOCUMENTATION AND ALL UPDATES OR UPGRADES OF THE ABOVE THAT ARE PROVIDED TO YOU (COLLECTIVELY, THE “PROFILE”).

THIS LICENSE AGREEMENT IS A LEGAL AGREEMENT BETWEEN YOU (EITHER AN INDIVIDUAL OR, IF ACQUIRED BY OR FOR AN ENTITY, AN ENTITY) AND DIC CORPORATION, A JAPANESE COMPANY (“DIC”). THIS LICENSE AGREEMENT PROVIDES A LICENSE TO USE THE PROFILE AND CONTAINS WARRANTY INFORMATION AND LIABILITY DISCLAIMERS. IF YOU DO NOT AGREE TO BE BOUND BY ALL OF THESE TERMS, YOU MAY NOT USE THE PROFILE.

1. License Grant

DIC grants you a gratis non-exclusive and non-transferable license to use the Profile and to allow your employees and authorized agents, if any, to use the Profile, solely in connection with their work for you, subject to all of the limitations and restrictions in this License Agreement.

2. Ownership

The foregoing license gives you limited license to use the Profile. You will own the rights in the media containing the recorded Profile, but DIC retains all right, title and interest, including all copyright and intellectual property rights, in and to, the Profile and all copies thereof. All rights not specifically granted in this License Agreement, including all copyrights, are reserved by DIC.

3. Term
 - a. This License Agreement is effective until terminated.
 - b. You may terminate this License Agreement by notifying DIC in writing of your intention to terminate this License Agreement and by destroying, all copies of the Profile in your possession or control.
 - c. DIC may terminate this License Agreement without prior notice to you if you fail to comply with any of the terms and conditions of this License Agreement (either directly or through your employees or agents), retroactive to the time of such failure to comply. In such event, you must immediately stop using the Profile and destroy all copies of the Profile in your possession or control.
 - d. All provisions in this License Agreement relating to warranty disclaimers (Section 5) and the limitation of liability (Section 6) shall survive any termination of this License Agreement.

4. License Method and Restrictions
 - a. You may install and use the Profile on a single desktop computer; provided, however, that, notwithstanding anything contrary contained herein, you may not use the Profile on any network system or share, install or use the Profile concurrently on different computers, or electronically transfer the Profile from one computer to another or over a network.
 - b. You may not make or distribute copies, fix, alter, merge, modify, adapt, sublicense, transfer, sell, rent, lease, gift or distribute all or a portion of the Profile, or modify the Profile or create derivative works based upon the Profile.
 - c. You acknowledge that the Profile is not intended for any usage which may cause death or physical injury or environmental damage and agree not to use the Profile for such usage.
 - d. You shall not use the Profile to develop any software or other technology having the same primary function as the Profile, including but not limited to using the Profile in any development or test procedure that seeks to develop like software or other technology, or to determine if such software or other technology performs in a similar manner as the Profile.
 - e. DIC and other trademarks contained in the Profile are trademarks or registered trademarks of DIC in Japan and/or other countries. You may not remove or alter any trademark, trade names, product names, logo, copyright or other proprietary notices, legends, symbols or labels in the Profile. This License Agreement does not authorize you to use DIC's or its licensors' names or any of their respective trademarks.

5. WARRANTY DISCLAIMER

a. THE PROFILE IS PROVIDED TO YOU FREE OF CHARGE, AND ON AN “AS-IS” BASIS, IN ACCORDANCE WITH THE TERMS AND COONDITIONS OF THIS LICENSE AGREEMENT. DIC PROVIDES NO TECHNICAL SUPPORT, WARRANTIES OR REMEDIES FOR THE PROFILE.

b. DIC DISCLAIMS ALL WARRANTIES AND REPRESENTATIONS, WHETHER EXPRESS, IMPLIED, OR OTHERWISE, INCLUDING BUT NOT LIMITED TO, THE WARRANTIES OF MERCHANTABILITY OR FITNESS FOR A PARTICULAR PURPOSE, NON-INFRINGEMENT, TITLE AND QUIET ENJOYMENT. YOU SHALL ASSUME AND BE FULLY LIABLE AND RESPONSIBLE FOR ALL RISKS IN CONNECTION WITH YOUR USE OF THE PROFILE. DIC DOES NOT WARRANT THAT THE PROFILE IS FREE OF DEFECTS OR FLAWS OR WILL OPERATE WITHOUT INTERRUPTION, AND IS NOT RESPONSIBLE FOR CORRECTING OR REPAIRING ANY DEFECTS OR FLAWS, FOR FEE OR GRATIS. NO RIGHTS OR REMEDIES WILL BE CONFERRED ON YOU UNLESS EXPRESSLY GRANTED HEREIN.

6. LIMITATION OF LIABILITY

DIC SHALL NOT BE LIABLE TO YOU OR ANY THIRD PARTY FOR ANY DIRECT, INDIRECT, SPECIAL, INCIDENTAL, PUNITIVE, COVER OR CONSEQUENTIAL DAMAGES (INCLUDING, BUT NOT LIMITED TO, DAMAGES FOR THE INABILITY TO USE EQUIPMENT OR ACCESS DATA, LOSS OF BUSINESS, LOSS OF PROFITS, BUSINESS INTERRUPTION OR THE LIKE), ARISING OUT OF THE USE OF, OR INABILITY TO USE, THE PROFILE AND BASED ON ANY THEORY OF LIABILITY INCLUDING BREACH OF CONTRACT, BREACH OF WARRANTY, TORT (INCLUDING NEGLIGENCE), PRODUCT LIABILITY OR OTHERWISE, EVEN IF DIC OR ITS REPRESENTATIVES HAVE BEEN ADVISED OF THE POSSIBILITY OF SUCH DAMAGES.

THE FOREGOING LIMITATIONS ON LIABILITY SHALL APPLY TO ALL ASPECTS OF THIS LICENSE AGREEMENT.

7. General

a. This License Agreement shall be governed and construed in accordance with the laws of Japan, without giving effect to principles of conflict of laws. If any provision of this License Agreement shall be held by a court of competent jurisdiction to be contrary to law, that provision will be enforced to the maximum extent permissible, and the remaining provisions of this License Agreement will remain in full force and effect. You hereby consent to the exclusive jurisdiction and venue of Tokyo District Court to resolve any disputes arising under this License Agreement.

b. This License Agreement contains the complete agreement between the parties with respect to the subject matter hereof, and supersedes all prior or contemporaneous agreements or understandings, whether oral or written. You agree that any varying or additional terms contained in any written notification or document issued by you in relation to the Profile licensed hereunder shall be of no effect.

c. The failure or delay of DIC to exercise any of its rights under this License Agreement or upon any breach of this License Agreement shall not be deemed a waiver of those rights or of the breach.

Table des matières

| | |
|---|---|
| Accord de licence logiciel. | 2 |
| About Adobe Color Profile. | 4 |
| ICC Profile for TOYO INK Standard Color on Coated paper (TOYO Offset Coated 3.0). | 7 |
| DIC STANDARD COLOR PROFILE LICENSE AGREEMENT. | 8 |

Chapitre 1 Introduction

| | |
|---|----|
| Présentation de l'imprimante. | 15 |
| Espace requis. | 15 |
| Composants de l'imprimante. | 16 |
| Disque des logiciels. | 17 |
| Pilotes PostScript/Pilotes PCL. | 17 |
| Fichiers PPD. | 18 |
| Documentation. | 18 |
| Configuration requise. | 18 |

Chapitre 2 Utilisation du pilote de l'imprimante

| | |
|--|----|
| Sélection des options/valeurs par défaut du pilote (Windows). | 20 |
| Désinstallation du pilote de l'imprimante (Windows). | 21 |
| Utilisation des pilotes d'imprimante PostScript et PCL. | 22 |
| Boutons communs. | 22 |
| Onglet Avancé (Pilote de l'imprimante PostScript uniquement). | 24 |
| My Tab. | 24 |
| Onglet Basic (Standard). | 24 |
| Onglet Layout (Mise en page). | 25 |
| Onglet Cover Page (Paramétrage par page). | 26 |
| Onglet Watermark/Overlay (Filigrane/Calque). | 26 |
| Onglet Quality (Qualité). | 27 |
| Onglet Other (Autres). | 28 |
| Limitations des fonctions du pilote de l'imprimante installées avec Point and Print. | 28 |

Chapitre 3 **Panneau de commande et menu de configuration de l'imprimante**

| | |
|--|----|
| Présentation du panneau de commande. | 29 |
| Voyants et touches du panneau de commande. | 29 |
| Ecran des messages. | 30 |
| Ecrans d'aide. | 31 |
| Présentation du menu Configuration. | 31 |
| PROOF/PRINT MENU (MENU VERIF/IMPR). | 31 |
| Entrée du mot de passe. | 32 |
| PRINT MENU (MENU IMPRIMER). | 32 |
| PAPER MENU (MENU PAPIER). | 33 |
| QUALITY MENU (MENU QUALITE). | 37 |
| MEMORY DIRECT (MÉMOIRE DIRECTE). | 42 |
| INTERFACE MENU (MENU INTERFACE). | 44 |
| SYS DEFAULT MENU (MENU DEFAULT SYS.). | 48 |
| MAINTENANCE MENU (MENU MAINTENANCE). | 56 |

Chapitre 4 **Mémoire directe**

| | |
|---|----|
| Mémoire directe. | 61 |
| Impression à partir d'un périphérique mémoire USB connecté. | 61 |

Chapitre 5 **Gestion des supports**

| | |
|--|----|
| Supports d'impression. | 63 |
| Spécifications. | 63 |
| Types de support. | 65 |
| Surface imprimable. | 73 |
| Chargement des supports | 75 |
| Bac 1 (alimentation manuelle). | 75 |
| Bac 2. | 78 |
| Chargeur papier de 500 feuilles (Bac 3). | 81 |
| Recto-verso (Epson AcuLaser C3900DN uniquement). | 83 |
| Bac de sortie. | 85 |
| Stockage des supports. | 85 |

Chapitre 6 Remplacement des consommables et des pièces d'entretien

| | |
|---|-----|
| A propos des cartouches de toner. | 87 |
| Remplacement d'une cartouche de toner. | 89 |
| Remplacement d'un bloc photoconducteur. | 94 |
| Remplacement du réceptacle de toner usagé (0595). | 101 |
| Remplacement de la pile auxiliaire. | 104 |
| Remplacement de l'unité de fixation (3041/3042). | 106 |

Chapitre 7 Entretien de l'imprimante

| | |
|---|-----|
| Entretien de l'imprimante. | 111 |
| Nettoyage de l'imprimante. | 113 |
| Extérieur. | 113 |
| Rouleaux d'entraînement papier. | 114 |
| Nettoyage des lentilles laser. | 117 |

Chapitre 8 Résolution de problèmes

| | |
|---|-----|
| Impression d'une page de configuration. | 123 |
| Prévention des bourrages papier. | 123 |
| Suppression des bourrages papier | 124 |
| Messages de bourrage et procédures correctives. | 124 |
| Résolution des problèmes de bourrage papier. | 138 |
| Résolution d'autres problèmes. | 141 |
| Résolution des problèmes de qualité. | 145 |
| Messages d'état, d'erreur et de service. | 149 |
| Messages d'état standard. | 150 |
| Messages d'erreur (avertissement). | 151 |
| Messages d'erreur (appel opérateur). | 153 |
| Messages de service. | 156 |

Chapitre 9 Installation d'accessoires

| | |
|--|-----|
| Introduction. | 157 |
| Protection antistatique. | 157 |
| Module de mémoire DIMM. | 158 |
| Installation d'un module DIMM. | 158 |

| | |
|--|-----|
| Lecteur de disque dur (C12C824511)..... | 160 |
| Installation du lecteur de disque dur..... | 160 |
| Chargeur papier de 500 feuilles (C12C802651)..... | 162 |
| Installation d'un chargeur papier de 500 feuilles..... | 162 |

Annexe A *Annexe*

| | |
|--------------------------------|-----|
| Spécifications techniques..... | 165 |
| Imprimante..... | 165 |

Index

Chapitre 1

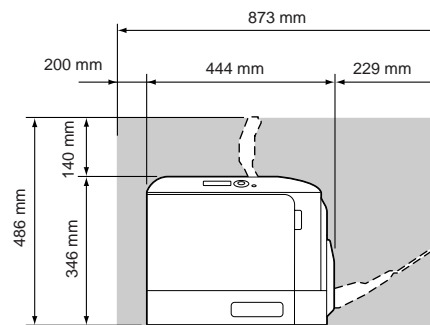
Introduction

Présentation de l'imprimante

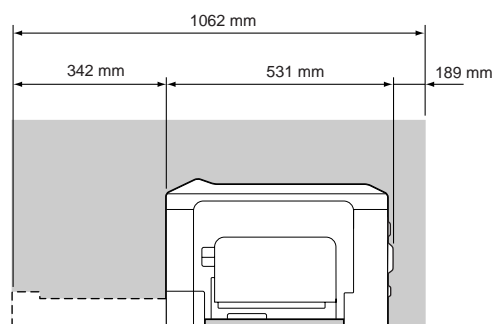
Espace requis

Pour permettre une utilisation aisée de l'imprimante et faciliter les opérations de remplacement des consommables et d'entretien, veuillez respecter les indications d'espace requis détaillées ci-dessous.

Vue avant

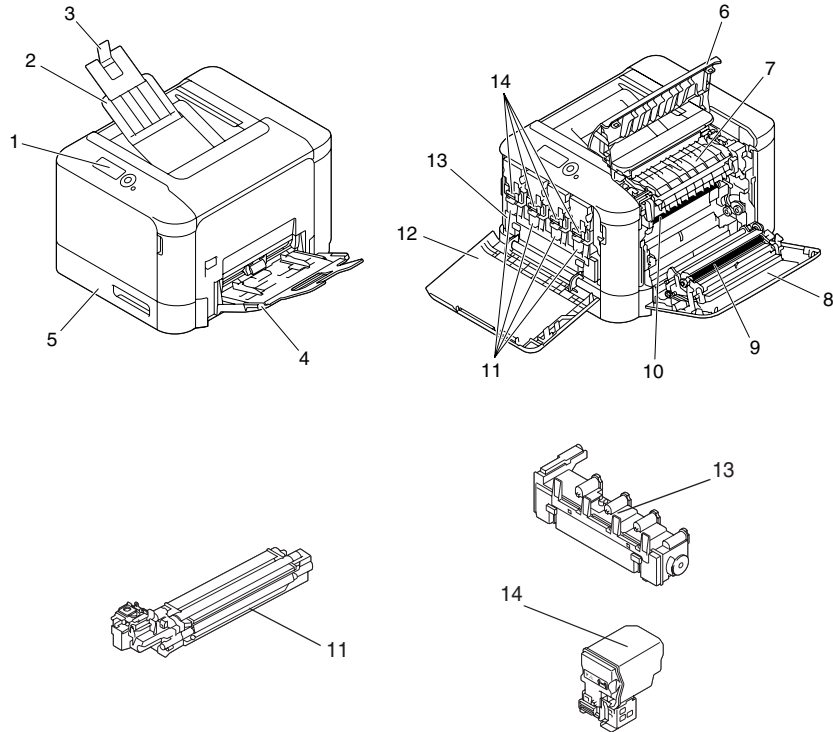


Vue de côté

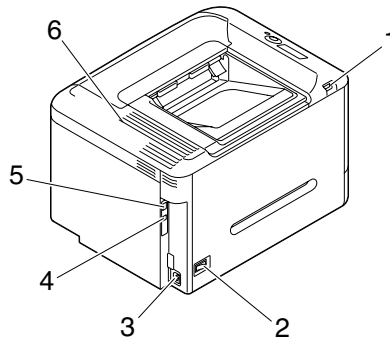


Composants de l'imprimante

Vue avant



1. Panneau de commande
2. Bac de sortie
3. Butée du papier
4. Bac 1 (alimentation manuelle)
5. Bac 2
6. Capot d'éjection
7. Unité de fixation
8. Capot latéral droit
9. Rouleau de transfert
10. Unité de courroie de transfert
11. Bloc(s) photoconducteur(s)
12. Capot avant
13. Réceptacle de toner usagé
14. Cartouche(s) de toner

Vue arrière

1. Port mémoire USB
2. Interrupteur Marche/Arrêt
3. Prise d'alimentation
4. Port USB
5. Port d'interface Ethernet 10Base-T/100Base-TX/1000Base-T
6. Grilles d'aération

Disque des logiciels**Pilotes PostScript/Pilotes PCL**

| Système d'exploitation | Utilisation/Avantage |
|--|---|
| Windows 7/Vista/Server 2008/XP/Server 2003/2000 | Ces pilotes vous permettent d'accéder à toutes les fonctions de l'imprimante, y compris les fonctions de finition et de mise en page avancée. Voir aussi « Utilisation des pilotes d'imprimante PostScript et PCL » à la page 22. |
| Windows 7/Vista/Server 2008/XP/Server 2003 (64 bits) | |

Remarque :

Un fichier PPD spécifique a été préparé pour les applications qui nécessitent la spécification d'un fichier PPD lors de l'impression (notamment PageMaker et Corel Draw).

Lorsque vous spécifiez un fichier PPD pour une impression dans Windows 7, Vista, Server 2008, XP, Server 2003 et 2000, utilisez le fichier PPD approprié fourni sur le disque des logiciels.

Fichiers PPD

| Système d'exploitation | Utilisation/Avantage |
|---|--|
| Macintosh OS X (10.3.9/10.4/10.5/10.6) Macintosh OS X Server (10.3.9/10.4/10.5/10.6) | Ces fichiers sont requis pour utiliser le pilote de l'imprimante avec chaque système d'exploitation. Pour des détails sur les pilotes d'imprimante pour Linux, consultez le Guide de Référence. |
| RedHat Enterprise Linux 5 Desktop SUSE Linux Enterprise Desktop 10 | |

Documentation

| Documentation | Utilisation/Avantage |
|---------------------------------|--|
| Guide d'installation | Ce manuel décrit les opérations d'installation à effectuer avant de pouvoir utiliser l'imprimante, notamment la configuration de l'imprimante et l'installation des pilotes. |
| Guide d'utilisation (ce manuel) | Ce manuel décrit comment effectuer des opérations courantes, telles que l'utilisation des pilotes et du panneau de commande et le remplacement de consommables. |
| Guide de Référence | Ce manuel décrit comment installer les pilotes Linux et définir les paramètres pour le réseau et l'utilitaire de gestion d'impression. |

Configuration requise

- Ordinateur
 - Pentium 2 : 400 MHz (Pentium 3 : 500 MHz ou supérieur recommandé)
 - PowerPC G3 ou ultérieur (G4 ou ultérieur recommandé)
 - Macintosh équipé d'un processeur Intel
- Système d'exploitation
 - Microsoft Windows

| | |
|-----------|---|
| Windows 7 | Edition Familiale Basique/Edition Familiale Premium/Professionnel/Edition Intégrale |
|-----------|---|

| | |
|------------------------|--|
| Windows Vista | Edition Familiale Basique/Edition Familiale Premium/Edition Intégrale/ Professionnel/Entreprise Edition Familiale Basique/Edition Familiale Premium/Edition Intégrale/ Professionnel/Entreprise Edition x64 |
| Windows XP | Edition Familiale/Professionnel (Service Pack 2 ou ultérieur) Professionnel Edition x64 |
| Windows 2000 | (Service Pack 4 ou ultérieur) |
| Windows Server 2008 R2 | Standard/Entreprise |
| Windows Server 2008 | Standard/Entreprise Standard/Entreprise Edition x64 |
| Windows Server 2003 R2 | Standard/Entreprise Standard/Entreprise Edition x64 |
| Windows Server 2003 | Standard/Entreprise Standard/Entreprise Edition x64 |

- Mac OS X (10.3.9 ou ultérieur ; il est recommandé d'installer le dernier correctif), Mac OS X Server (10.3.9 ou ultérieur)
- RedHat Enterprise Linux 5 Desktop, SUSE Linux Enterprise Desktop 10
- Espace disque dur disponible
 - Environ 20 Mo d'espace disque dur requis pour le pilote de l'imprimante
 - Environ 128 Mo d'espace disque dur requis pour le traitement des images
- Mémoire RAM
Capacité recommandée pour le système d'exploitation
- Lecteur de CD/DVD-ROM
- Interface E/S
 - Port d'interface Ethernet 10Base-T/100Base-TX/1000Base-T
 - Port compatible USB 2.0 haute vitesse

Remarque :

Pour plus d'informations sur le pilote de l'imprimante pour Linux, consultez le Guide de Référence.

Chapitre 2

Utilisation du pilote de l'imprimante

Sélection des options/valeurs par défaut du pilote (Windows)

Avant toute utilisation de l'imprimante, il est conseillé de vérifier/modifier les paramètres par défaut du pilote de l'imprimante. Par ailleurs, si des options sont installées, il convient de les « déclarer » dans le pilote.

1. Sélectionnez les propriétés du pilote.
2. Si vous avez installé des options, passez à l'étape suivante. Sinon, passez à l'étape 9.
3. Sélectionnez l'onglet **Configure (Configurer)**.
4. Vérifiez que les options installées figurent dans la liste. Sinon, passez à l'étape suivante. Autrement, passez à l'étape 8.
5. Cliquez sur **Refresh (Actualiser)** pour configurer automatiquement les options installées.

Remarque :

L'option Refresh (Actualiser) est uniquement disponible si une communication bidirectionnelle est établie avec l'imprimante ; sinon, elle apparaît en grisé.

Si vous utilisez Windows Vista ou Server 2008, vous pouvez aussi cliquer sur **Refresh (Actualiser)** lorsque la machine est connectée via USB.

6. Dans la liste **Device Options (Options périphérique)**, sélectionnez une option à la fois, puis sélectionnez **Enable (Activé)** ou **Disable (Désactiver)** dans le menu **Settings (Paramètres)**.

Remarque :

Pour les modèles avec une unité recto-verso intégrée (Epson AcuLaser C3900DN), sélectionnez **EPSON AL-C3900** comme **Model (Modèle)** dans la liste **Device Options (Options périphérique)**.

Si **Printer Memory (Mémoire imprimante)** est sélectionné, sélectionnez **256MB (256Mo)** ou **768MB (768Mo)** en fonction de la mémoire installée. La valeur par défaut définie en usine est de **256MB (256Mo)**.

Cette imprimante ne prend pas en charge les cartes CompactFlash.

7. Cliquez sur **Apply (Appliquer)**.

Remarque :

Suivant la version du système d'exploitation que vous utilisez, vous pouvez ne pas avoir accès au bouton Apply (Appliquer). Dans ce cas, passez à l'étape suivante.

8. Sélectionnez l'onglet **General (Général)**
9. Cliquez sur **Printing Preferences (Options d'impression)**.
La boîte de dialogue Printing Preferences (Options d'impression) s'affiche.
10. Sélectionnez les paramètres par défaut pour votre imprimante, notamment le format du support par défaut que vous utilisez, sous les onglets appropriés.
11. Cliquez sur **Apply (Appliquer)**.
12. Cliquez sur **OK** pour fermer la boîte de dialogue Printing Preferences (Options d'impression).
13. Cliquez sur **OK** pour fermer la boîte de dialogue Properties (Propriétés).

Désinstallation du pilote de l'imprimante (Windows)

1. Fermez toutes les applications.
2. Sélectionnez le programme de désinstallation.
3. Dans la boîte de dialogue Uninstall (Désinstaller) qui s'affiche, sélectionnez l'imprimante à supprimer, puis cliquez sur le bouton **Uninstall (Désinstaller)**.
4. Cliquez sur **Uninstall (Désinstaller)**.
5. Cliquez sur **OK**, puis redémarrez votre ordinateur.
6. Le pilote de l'imprimante est alors désinstallé de votre ordinateur.

Utilisation des pilotes d'imprimante PostScript et PCL

Boutons communs

Les boutons décrits ci-dessous apparaissent sous tous les onglets.

OK

Cliquez sur ce bouton pour quitter la boîte de dialogue Properties (Propriétés) en enregistrant toutes les modifications effectuées.

Cancel (Annuler)

Cliquez sur ce bouton pour quitter la boîte de dialogue Properties (Propriétés) sans enregistrer les modifications effectuées.

Apply (Appliquer)

Cliquez sur ce bouton pour enregistrer toutes les modifications effectuées sans fermer la boîte de dialogue Properties (Propriétés).

Help (Aide)

Cliquez sur ce bouton pour ouvrir le fichier d'aide.

Favorite Setting (Réglage favori)

Cliquez sur ce bouton pour enregistrer les paramètres actuels. Pour ce faire, spécifiez les paramètres souhaités, puis cliquez sur **Add (Ajouter)**. Spécifiez les paramètres décrits ci-dessous, puis cliquez sur **OK**.

- Name: (Nom):** entrez un nom pour les paramètres à enregistrer.
- Icon (Icône) :** sélectionnez une icône dans la liste pour identifier aisément les paramètres. L'icône sélectionnée apparaît dans la liste déroulante.
- Sharing (Partage) :** spécifiez si les paramètres à enregistrer peuvent ou non être utilisés par d'autres utilisateurs connectés à l'ordinateur.
- Comment: (Commentaire):** ajoutez un commentaire simple définissant ces paramètres.

Les paramètres enregistrés peuvent ensuite être sélectionnés dans la liste déroulante. Vous pouvez les modifier en cliquant sur **Edit (Editer)**.

Vous pouvez en outre sélectionner des paramètres prédéfinis. Ceux-ci s'appliquent à «2-up», «Photo» et «Grayscale (Niveaux de gris)».

Sélectionnez **Defaults (Défauts)** dans la liste déroulante pour rétablir les valeurs par défaut des fonctions sous tous les onglets.

Printer View (Aperçu Imprimante)

Cliquez sur ce bouton pour afficher une image de l'imprimante dans la zone graphique. Quand vous cliquez sur ce bouton, il est remplacé par le bouton **Paper View (Aperçu Mise en page)** (quand un onglet autre que l'onglet **Quality (Qualité)** est sélectionné) ou le bouton **Quality View (Aperçu Qualité)** (quand l'onglet **Quality (Qualité)** est sélectionné).

Remarque :

Ce bouton n'apparaît pas sous l'onglet Avancé.

Paper View (Aperçu Mise en page)

Cliquez sur ce bouton pour afficher un aperçu de la mise en page dans la zone graphique. Quand vous cliquez sur ce bouton, il devient le bouton **Printer View (Aperçu Imprimante)**.

Remarque :

*Ce bouton n'apparaît pas sous l'onglet **Quality (Qualité)**.*

Quality View (Aperçu Qualité)

Cliquez sur ce bouton pour afficher un aperçu du résultat des paramètres définis sous l'onglet **Quality (Qualité)**. Quand vous cliquez sur ce bouton, il devient le bouton **Printer View (Aperçu Imprimante)**.

Remarque :

*Ce bouton n'apparaît que lorsque l'onglet **Quality (Qualité)** est sélectionné.*

Printer Information (Infos imprimante)

Cliquez sur ce bouton pour démarrer Web-Based EpsonNet Config.

Remarque :

Ce bouton est uniquement disponible si une connexion réseau a été établie.

- Default (Par défaut)

Cliquez sur ce bouton pour rétablir les valeurs par défaut de tous les paramètres.

Remarque :

- Ce bouton n'apparaît pas sous l'onglet Avancé.*
- Quand vous cliquez sur ce bouton, les valeurs par défaut des paramètres dans la boîte de dialogue affichée sont rétablies. Les paramètres sous les autres onglets restent inchangés.*

Onglet Avancé (Pilote de l'imprimante PostScript uniquement)

L'onglet Avancé vous permet d'effectuer les tâches suivantes :

- Activer ou désactiver les paramètres pour des fonctions d'impression avancées (telles que l'impression de livrets)
- Spécifier le mode de sortie PostScript
- Spécifier si les messages d'erreur d'un travail d'impression sont imprimés ou non
- Imprimer une image miroir
- Spécifier si l'application peut ou non générer directement des données PostScript

My Tab

My Tab vous permet d'effectuer les tâches suivantes :

- Afficher les fonctions les plus souvent utilisées (de chaque onglet) dont les paramètres sont souvent modifiés.
- Ajouter ou supprimer des fonctions affichées en cliquant sur **Edit My Tab (Modifier My Tab)**. En outre, vous pouvez ajouter des fonctions à My Tab en cliquant dessus avec le bouton droit sous leur onglet d'origine.

Onglet Basic (Standard)

L'onglet Basic (Standard) vous permet d'effectuer les tâches suivantes :

- Spécifier l'orientation du support d'impression

- Spécifier le format du document original
- Sélectionner le format de papier en sortie
- Appliquer un facteur de zoom (agrandissement/réduction) aux documents
- Spécifier la source d'alimentation papier
- Spécifier le type de support d'impression
- Spécifier le nombre de copies
- Activer/désactiver le tri du travail
- Enregistrer un travail d'impression et l'imprimer plus tard (Mémoire Travaux)
- Enregistrer un travail confidentiel sur l'imprimante et le protéger par un mot de passe
- Imprimer une seule copie pour épreuve
- Spécifier les paramètres de l'authentification utilisateur et de suivi de compte
- Imprimer sur le verso d'une feuille déjà imprimée au recto

Remarque :

- N'utilisez que des feuilles préimprimées sur cette imprimante.
En outre, avec ce paramètre, la qualité d'impression n'est pas garantie.*
- N'utilisez pas les types de papier suivants :*
 - Papier préimprimé sur une imprimante jet d'encre
 - Papier préimprimé sur une imprimante laser ou un copieur monochrome/couleur
 - Papier préimprimé sur tout autre système d'impression ou de télécopie

Onglet Layout (Mise en page)

L'onglet Layout (Mise en page) vous permet d'effectuer les tâches suivantes :

- Imprimer plusieurs pages d'un document sur une même page (« N-up »)
- Imprimer une copie à agrandir puis à imprimer sur plusieurs pages (pilote de l'imprimante PCL uniquement)
- Définir une impression de livrets (Epson AcuLaser C3900DN uniquement)
- Appliquer une rotation à 180 degrés de l'image imprimée

- Définir une impression recto-verso (Epson AcuLaser C3900DN uniquement)
- Spécifier si les pages vierges doivent ou non être imprimées (pilote de l'imprimante PCL uniquement)
- Régler la marge de reliure
- Régler la position d'impression (pilote de l'imprimante PCL uniquement)
- Spécifier la position où le document doit être imprimé sur le papier

Onglet Cover Page (Paramétrage par page)

L'onglet Cover Page (Paramétrage par page) vous permet d'effectuer les tâches suivantes :

- Imprimer des couvertures, des dos de couverture et des intercalaires
- Spécifier le bac contenant le papier pour les couvertures, les dos de couverture et les intercalaires

Onglet Watermark/Overlay (Filigrane/Calque)

Remarque :

Assurez-vous que le format et l'orientation du calque que vous voulez utiliser correspondent au format et à l'orientation de votre travail d'impression. De plus, si vous avez défini des paramètres «N-up (Miniatures)» ou «Booklet (Livret)» dans le pilote de l'imprimante, le calque ne pourra pas être ajusté en fonction de ces paramètres.

Les paramètres de la fonction «Watermark (Filigrane)» sous l'onglet Watermark/Overlay (Filigrane/Calque) vous permettent d'effectuer les tâches suivantes :

- Sélectionner le filigrane à utiliser
- Créer, modifier ou supprimer des filigranes
- Régler la position des filigranes
- Imprimer un cadre autour des filigranes
- Imprimer des filigranes transparents (estompés)
- Imprimer le filigrane uniquement sur la première page
- Imprimer le filigrane de manière répétitive sur toutes les pages

Les paramètres de la fonction «Overlay (Calque)» sous l'onglet Watermark/Overlay (Filigrane/Calque) vous permettent d'effectuer les tâches suivantes :

- Sélectionner le calque à utiliser
- Ajouter ou supprimer des fichiers de calque
- Créer un calque (pilote de l'imprimante PCL uniquement)
- Spécifier la superposition d'un calque et d'un document lors de l'impression (pilote de l'imprimante PCL uniquement)
- Afficher des informations sur le calque (pilote de l'imprimante PCL uniquement)
- Imprimer le calque sur All Pages (Toutes les pages), la Première page, les Even Pages (Pages paires) et les Odd Pages (Pages impaires)
- Placer le calque en arrière-plan du document ou au premier plan du document à imprimer (pilote de l'imprimante PCL uniquement)

Onglet Quality (Qualité)

L'onglet Quality (Qualité) vous permet d'effectuer les tâches suivantes :

- Choisir entre une impression couleur et en noir et blanc
- Régler l'obscurité d'une image (Brightness (Luminosité))
- Spécifier les paramètres couleur de l'imprimante (Quick Color (Couleur rapide))
- Effectuer la séparation couleur
- Activer ou désactiver le mode d'impression économique
- Définir le renfort de contour sur Low (Léger), Middle (Normal) ou High (Maximum)
- Spécifier le degré de détails dans les motifs graphiques (pilote de l'imprimante PCL uniquement)
- Spécifier le format des polices à télécharger (pilote de l'imprimante PCL et Postscript uniquement)
- Imprimer en utilisant les polices de l'imprimante (pilote de l'imprimante PCL et Postscript uniquement)
- Régler les tons d'une image (Contrast (Contraste)) (pilote de l'imprimante PCL uniquement)

- Définir le mode de compression des images (pilote de l'imprimante PCL uniquement)
- Activer ou désactiver la fonction Auto Trapping (Piégeage Auto) (pilote de l'imprimante Postscript uniquement)
- Spécifier la fonction Black Over Print (Noir Sur Impression) (pilote de l'imprimante Postscript uniquement)

Onglet Other (Autres)

L'onglet Other (Autres) vous permet d'effectuer les tâches suivantes :

- Activer l'indivision des feuilles de calcul Microsoft Excel lors de l'impression
- Faire en sorte que le fond blanc des données Microsoft PowerPoint ne masque pas les fichiers de calque (pilote de l'imprimante PCL uniquement)
- Envoyer une notification via e-mail lorsque l'impression est terminée
- Afficher des informations sur la version du pilote de l'imprimante
- Empêcher la perte d'informations lors de l'impression de lignes fines (pilote de l'imprimante PCL uniquement)

Limitations des fonctions du pilote de l'imprimante installées avec Point and Print

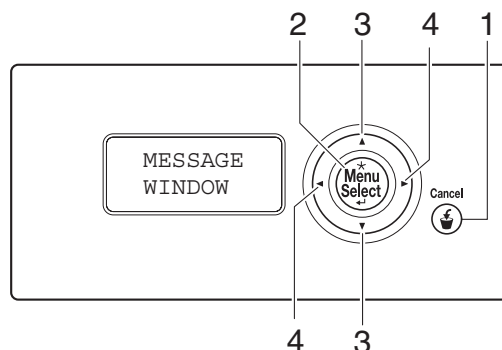
Si Point and Print est exécuté avec les combinaisons serveur/client suivantes, certaines fonctions du pilote de l'imprimante sont limitées.

- Combinaisons serveur/client
 Serveur : Windows Server 2003/XP/2000/Server 2008/Vista
 Client : Windows Server 2003/XP/2000/Server 2008/Vista
- Fonctions avec limitations
 Booklet (Livret), Skip Blank Pages (Ignorer les pages vierges), Front Cover Page (Couverture), Back Cover Page (Dos de couverture), Separator Page (Intercalaires), Create Overlay (Créer calque), Print in Overlay (Surimpression), Watermark (Filigrane)
 *Sortie NOM DU TRAVAIL, NOM UTILISATEUR et NOM D'HOTE de PJJ









Chapitre 3





Panneau de commande et menu de configuration de l'imprimante

Présentation du panneau de commande

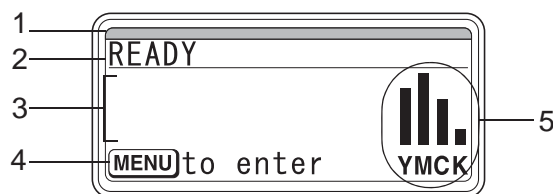






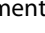
Voyants et touches du panneau de commande

| N° | Touche | Fonction |
|----|--|--|
| 1 | <p>Cancel</p>  | <ul style="list-style-type: none"> <input type="checkbox"/> Annule le paramètre actuellement affiché. <input type="checkbox"/> Annuler un ou plusieurs travaux d'impression en cours d'impression ou de traitement : <ol style="list-style-type: none"> 1. Appuyez sur la touche Cancel. 2. Appuyez sur la touche Δ ou ∇ pour sélectionner CURRENT JOB (TACHE COURANTE) ou ALL JOBS (TOUS TRAVAUX). 3. Appuyez sur la touche Menu/Select. |
| 2 | <p>* Menu Select</p>  | <ul style="list-style-type: none"> <input type="checkbox"/> Entre dans le système des menus. <input type="checkbox"/> Descend dans l'arborescence des menus. <input type="checkbox"/> Applique le paramètre sélectionné. <input type="checkbox"/> MENU apparaît sur l'écran des messages. |
| 3 |   | <ul style="list-style-type: none"> <input type="checkbox"/> Fait défiler les menus, les options ou les choix vers le haut ou vers le bas. <input type="checkbox"/> , , ,  apparaît sur l'écran des messages. |

| N° | Touche | Fonction |
|----|--|--|
| 4 |   | <ul style="list-style-type: none"> <input type="checkbox"/> Fait défiler les menus, les options ou les choix vers la gauche ou vers la droite. <input type="checkbox"/>  ,  apparaît sur l'écran des messages. |

Ecran des messages



| N° | Détails |
|----|---|
| 1 | <p>L'état de l'imprimante est indiqué par la couleur de l'indicateur et l'éclairage ou le clignotement de l'écran des messages.</p> <ul style="list-style-type: none"> <input type="checkbox"/> READY (PRÊT) : l'indicateur est éclairé en bleu et l'écran est éclairé. <input type="checkbox"/> PROCESSING (TRAITEMENT) ou PRINTING (IMPRESSION) : l'indicateur clignote et l'écran est éclairé. <input type="checkbox"/> ENERGY SAVER (ÉPARGNE ENERGIE) : l'indicateur est éclairé en bleu et l'écran est éteint. <input type="checkbox"/> ERREUR : l'indicateur est éclairé en rouge et l'écran est éclairé. |
| 2 | <p>Affichage de l'état actuel de l'imprimante.</p> <ul style="list-style-type: none"> <input type="checkbox"/> Si une intervention de l'opérateur ou d'un technicien de maintenance est requise, le symbole  ainsi que l'état de l'erreur s'affichent. <input type="checkbox"/> En cas d'avertissement, le symbole  s'affiche. <input type="checkbox"/> Lorsqu'un périphérique mémoire USB est branché au port mémoire USB, le symbole  apparaît sur le côté droit de l'écran des messages. <input type="checkbox"/> Lorsqu'un travail d'impression est reçu, le symbole  s'affiche sur le côté droit de l'écran des messages. Lorsqu'un travail d'impression est reçu directement à partir de la mémoire, le symbole  s'affiche. |
| 3 | <ul style="list-style-type: none"> <input type="checkbox"/> Affichage des messages d'erreur. <input type="checkbox"/> Lorsqu'un travail d'impression est reçu, le nom de l'utilisateur ainsi que la progression du travail s'affichent. |
| 4 | Affichage d'informations sur les touches. |
| 5 | Affichage de la quantité approximative de toner restante. |

Ecrans d'aide

Des écrans d'aide apparaissent quand vous appuyez sur la touche ∇ après une erreur, telle qu'un bourrage, pour vous permettre de corriger cette erreur.

Présentation du menu Configuration

PROOF/PRINT MENU (MENU VERIF/IMPR)

Remarque :

Ce menu n'apparaît que si un disque dur optionnel est installé.

Cette option de menu vous permet d'imprimer ou de supprimer des travaux d'impression que vous avez enregistrés sur le disque dur à l'aide de la fonction Mémoire Travaux sous l'onglet Standard du pilote de l'imprimante.

Remarque :

Si le paramètre `SYS DEFAULT MENU (MENU DEFAUT SYS.)`/`SECURITY (SECURITE)`/`LOCK PANEL (VERROU PANNEAU)` a la valeur `ON (ACTIF)`, vous devez entrer le mot de passe pour afficher le contenu de `PROOF/PRINT MENU (MENU VERIF/IMPR)`. Pour plus d'informations sur `LOCK PANEL (VERROU PANNEAU)`, voir « `SYS DEFAULT MENU (MENU DEFAUT SYS.)` » à la page 48.

Impression d'un travail mémorisé

1. Appuyez sur la touche **Menu/Select**.
2. Sélectionnez `PROOF/PRINT MENU (MENU VERIF/IMPR)`, puis appuyez sur la touche **Menu/Select**.
3. Sélectionnez le nom d'utilisateur désiré, puis appuyez sur la touche **Menu/Select**.
4. Sélectionnez le nom du travail désiré, puis appuyez sur la touche **Menu/Select**.
5. Sélectionnez `PRINT (IMPRIMER)`, puis appuyez sur la touche **Menu/Select**.
6. Appuyez sur les touches \triangle et ∇ pour préciser le nombre de copies à imprimer.
7. Appuyez sur la touche **Menu/Select**.

L'impression démarre.

Suppression d'un travail mémorisé

1. Suivez les étapes 1 à 3 de la procédure « Impression d'un travail mémorisé » à la page 31.
2. Sélectionnez `DELETE` (SUPPRIMER), puis appuyez sur la touche **Menu/Select**.
3. Sélectionnez `YES` (OUI) ou `NO` (NON), puis appuyez sur la touche **Menu/Select**.

Entrée du mot de passe.

Si le travail d'impression sélectionné dans `PROOF/PRINT MENU` (MENU VERIF/IMPR) est un travail sécurisé, un écran pour entrer le mot de passe s'affiche. Pour taper le mot de passe à quatre chiffres défini dans le pilote de l'imprimante, suivez la procédure ci-après.

1. Appuyez sur la touche \triangle ou ∇ pour augmenter ou diminuer le premier chiffre du mot de passe.
2. Appuyez sur la touche \triangleright pour déplacer le curseur sur le chiffre suivant.
3. Appuyez sur la touche \triangle ou ∇ pour augmenter ou diminuer le deuxième chiffre du mot de passe.
4. Procédez de la même manière avec les chiffres suivants jusqu'à ce que les quatre chiffres du mot de passe soient spécifiés.
5. Appuyez sur la touche **Menu/Select**.

L'écran de sélection `PRINT` (IMPRIMER)/`DELETE` (SUPPRIMER) s'affiche.

Remarque :

Si vous avez entré un mot de passe incorrect, le message `INVALID ENTRY` (SAISIE INVALIDE) s'affiche et la boîte d'entrée du mot de passe apparaît à nouveau.

PRINT MENU (MENU IMPRIMER)

Ce menu vous permet d'imprimer des informations sur l'imprimante, telles que la page de configuration.

Remarque :

Si le paramètre `SYS DEFAULT MENU (MENU DEFAUT SYS.)`/`SECURITY (SECURITE)/LOCK PANEL (VERROU PANNEAU)` a la valeur `ON (ACTIF)`, vous devez entrer le mot de passe pour afficher le contenu de `PRINT MENU (MENU IMPRIMER)`. Pour plus d'informations sur `LOCK PANEL (VERROU PANNEAU)`, voir « `SYS DEFAULT MENU (MENU DEFAUT SYS.)` » à la page 48.

| Eléments | | Paramètres (valeur par défaut en gras)/Description |
|-------------------------------------|------------|---|
| CONFIGURATION PG (PAGE DE CONFIG.) | | PRINT (IMPRIMER) /CANCEL (ANNULER) |
| STATISTICS PAGE (PAGE STATISTIQUES) | | PRINT (IMPRIMER) /CANCEL (ANNULER) |
| | | Imprime une page de statistiques, par exemple le nombre de pages imprimées. |
| FONT LIST (VOIR POLI- CES) | POSTSCRIPT | PRINT (IMPRIMER) /CANCEL (ANNULER) |
| | PCL | PRINT (IMPRIMER) /CANCEL (ANNULER) |
| MENU MAP (CARTE MENUS) | | PRINT (IMPRIMER) /CANCEL (ANNULER) |
| DIRECTORY LIST (VOIR REPERTOIRES)*1 | | PRINT (IMPRIMER) /CANCEL (ANNULER) |
| | | Imprime la liste des répertoires sur le disque dur. |

*1 Cet élément n'apparaît que si un disque dur optionnel est installé.

PAPER MENU (MENU PAPIER)

Ce menu vous permet de gérer le papier utilisé pour imprimer.

Remarque :

Si le paramètre `SYS DEFAULT MENU (MENU DEFAUT SYS.)`/`SECURITY (SECURITE)/LOCK PANEL (VERROU PANNEAU)` a la valeur `ON (ACTIF)`, vous devez entrer le mot de passe pour afficher le contenu de `PAPER MENU (MENU PAPIER)`. Pour plus d'informations sur `LOCK PANEL (VERROU PANNEAU)`, voir « `SYS DEFAULT MENU (MENU DEFAUT SYS.)` » à la page 48.

| Éléments | | Paramètres (valeur par défaut en gras)/Description | |
|------------------------------|--|--|---|
| PAPER SOURCE (SOURCE PAPIER) | DEFAULT TRAY (BAC PAR DÉFAUT) | | TRAY1 (BAC1)/ TRAY2 (BAC2) /TRAY3 (BAC3)* ¹ |
| | | | Spécifiez les paramètres pour le bac par défaut. |
| | TRAY 1 (BAC 1) | PAPER SIZE (FORMAT PAPIER) | ANY (AU CHOIX), LETTER, LEGAL, EXECUTIVE, A4 , A5, A6, B5(JIS), B6(JIS), GOVT LETTER (LETTER OFF.), STATEMENT, FOLIO, SP FOLIO, UK QUARTO (QUARTO R-U), FOOLSCAP, GOVT LEGAL (LEGAL OFF.), 16K, PHOTO 4×6* ² , KAI 16, KAI 32, ENV C6 (ENV. C6), ENV DL (ENV. DL), ENV MONARCH (ENV. Monarch), ENV CHOU#3 (ENV. Chou#3), ENV CHOU#4 (ENV. Chou#4), B5(ISO), ENV #10 (ENV. #10), JPOST (C. JAPON), JPOST-D (C. JAPON-D), 8 1/8×13 1/4, 8 1/2×13 1/2, CUSTOM (PERSONNALISE) |
| | | | Sélectionnez le format du papier chargé dans le Bac 1. |
| | | CUSTOM SIZE (PERSONNALISE)* ³ | Spécifiez le format du papier si un format personnalisé est chargé dans le Bac 1. Le paramètre SYS DEFAULT MENU (MENU DÉFAUT SYS.)/PAPER (PAPIER)/UNIT OF MEASURE (UNITÉ MESURE) permet de choisir des millimètres ou des pouces comme unité de mesure. Les valeurs pouvant être sélectionnées pour WIDTH (LARGEUR) vont de 92 à 216 mm. Par défaut : 210 mm. Les valeurs pouvant être sélectionnées pour LENGTH (LONGUEUR) vont de 148 à 356 mm. Par défaut : 297 mm. |
| | PAPER TYPE (TYPE DE PAPIER) | ANY (AU CHOIX)/ PLAIN PAPER (PAPIER STANDARD) /RECYCLED (RECYCLE)/THICK 1 (ÉPAIS 1)/THICK 2 (ÉPAIS 2)/LABEL (ÉTIQUETTES)/ENVELOPE (ENVELOPPE)/POSTCARD (CARTE)/LETTERHEAD (EN-TÊTE)/GLOSSY 1 (BRILLANT 1)/GLOSSY 2 (BRILLANT 2)/SGL SIDE ONLY (RECTO SEUL)/SPECIAL PAPER (PAPIER SPÉCIAL) | |
| | Sélectionnez le type de papier chargé dans le Bac 1. | | |
| TRAY 2 (BAC 2) | PAPER SIZE (FORMAT PAPIER) | ANY (AU CHOIX)/LETTER/EXECUTIVE/ A4 /A5/A6/B5(JIS)/B6(JIS)/GOVT LETTER (LETTER OFF.)/STATEMENT/UK QUARTO (QUARTO R-U)/16K/PHOTO 4×6* ² /KAI 16/KAI 32/CUSTOM (PERSONNALISE) | |
| | | Sélectionnez le format du papier chargé dans le Bac 2. | |

| Éléments | | Paramètres (valeur par défaut en gras)/Description |
|-------------------------------|--|--|
| | CUSTOM SIZE (PERSONNALISE) ^{*3} | <p>Spécifiez le format du papier si un format personnalisé est chargé dans le Bac 2.</p> <p>Le paramètre SYS DEFAULT MENU (MENU DEF AUT SYS.)/PAPER (PAPIER)/UNIT OF MEASURE (UNITE MESURE) permet de choisir des millimètres ou des pouces comme unité de mesure.</p> <p>Les valeurs pouvant être sélectionnées pour WIDTH (LARGEUR) vont de 92 à 216 mm. Par défaut : 210 mm.</p> <p>Les valeurs pouvant être sélectionnées pour LENGTH (LONGUEUR) vont de 148 à 356 mm. Par défaut : 297 mm.</p> |
| | PAPER TYPE (TYPE DE PAPIER) | <p>ANY (AU CHOIX)/PLAIN PAPER (PAPIER STANDARD)/RECYCLED (RECYCLE)/THICK 1 (EPAIS 1)/THICK 2 (EPAIS 2)/LABEL (ETIQUETTES)/POSTCARD (CARTE)/LETTERHEAD (EN-TETE)/GLOSSY 1 (BRILLANT 1)/GLOSSY 2 (BRILLANT 2)/SGL SIDE ONLY (RECTO SEUL)/SPECIAL PAPER (PAPIER SPÉCIAL)</p> <p>Sélectionnez le type de papier chargé dans le Bac 2.</p> |
| | TRAY 3 (BAC 3) ^{*1} | <p>PAPER SIZE (FORMAT PAPIER)</p> <p>Affiche le format du papier (LETTER, LEGAL, GOVT LEGAL (LEGAL OFF.), EXECUTIVE, A4 ou B5(JIS)) chargé dans le Bac 3.</p> <p>Cet élément ne fait qu'afficher le paramètre actuel. Celui-ci ne peut pas être modifié.</p> |
| | PAPER TYPE (TYPE DE PAPIER) | Sélectionnez le type de papier chargé dans le Bac 3. |
| TRAY CHAINING (CHAÎNAGE BACS) | <p>ON (ACTIF)/OFF (DESACTIVE)</p> <p>Si ON (ACTIF) est sélectionné et que le papier vient à manquer en cours d'impression dans le bac spécifié, un bac contenant du papier au même format est automatiquement sélectionné afin que l'impression puisse se poursuivre.</p> <p>Si OFF (DESACTIVE) est sélectionné et que le papier vient à manquer dans le bac spécifié, l'impression s'arrête.</p> | |

| Éléments | | | Paramètres (valeur par défaut en gras)/Description |
|------------------------------------|-----------------------------|---------------------------------------|--|
| | TRAY MAPPING (CONFIG. BACS) | TRAY MAPPING MODE (MODE CONFIG. BACS) | ON (ACTIF)/OFF (DESACTIVE) Indiquez si la fonction TRAY MAPPING (CONFIG. BACS) est utilisée ou non. |
| | | LOGICAL TRAY0-9 (BAC LOGIQUE 0-9) | PHYSICAL TRAY1 (BAC PHYSIQUE 1)/PHYSICAL TRAY2 (BAC PHYSIQUE 2)/PHYSICAL TRAY3 (BAC PHYSIQUE 3)*¹ Sélectionnez le bac à utiliser pour imprimer un travail d'impression reçu d'un pilote d'imprimante d'un autre fabricant. Le paramètre par défaut pour LOGICAL TRAY1 (BAC LOGIQUE 1) est PHYSICAL TRAY1 (BAC PHYSIQUE 1). Le paramètre par défaut pour tous les autres bacs est PHYSICAL TRAY2 (BAC PHYSIQUE 2). |
| DUPLEX (RECTO-VERSO)* ⁴ | | | OFF (DESACTIVE)/LONG EDGE (BORD LONG)/SHORT EDGE (BORD COURT) Si LONG EDGE (BORD LONG) est sélectionné, les pages s'impriment des deux côtés de manière à pouvoir être reliées sur le bord long. Si SHORT EDGE (BORD COURT) est sélectionné, les pages s'impriment des deux côtés de manière à pouvoir être reliées sur le bord court. Le paramètre défini dans le pilote de l'imprimante est prioritaire sur celui défini dans ce menu. |
| COPIES | | | 1-9999 Spécifiez le nombre de copies à imprimer. Le paramètre défini dans le pilote de l'imprimante est prioritaire sur celui défini dans ce menu. |

| Éléments | Paramètres (valeur par défaut en gras)/Description |
|-----------------------|---|
| COLLATE (ASSEMBLER)*5 | ON (ACTIF)/ OFF (DESACTIVE) |
| | Si ON (ACTIF) est sélectionné, toutes les pages du document s'impriment avant l'impression de la copie suivante. Si OFF (DESACTIVE) est sélectionné, toutes les copies du document ne s'impriment pas séparément. Le paramètre défini dans le pilote de l'imprimante est prioritaire sur celui défini dans ce menu. |

*1 Ces éléments n'apparaissent que si le chargeur papier de 500feuilles optionnel est installé.

*2 En fonction du paramètre sélectionné pour SYS DEFAULT MENU (MENU DEF AUT SYS.)/PAPER (PAPIER)/UNIT OF MEASURE (UNITE MESURE), PHOTO 4×6 peut être remplacé par PHOTO 10×15.

*3 Ces éléments n'apparaissent que si le paramètre PAPER SIZE (FORMAT PAPIER) a la valeur CUSTOM (PERSONNALISE).

*4 Cet élément n'apparaît que sur le modèle Epson AcuLaser C3900DN.

*5 Cet élément n'apparaît que si un disque dur optionnel est installé.

QUALITY MENU (MENU QUALITE)

Ce menu vous permet de définir des paramètres de qualité d'impression.

Remarque :

Si le paramètre SYS DEFAULT MENU (MENU DEF AUT SYS.)/SECURITY (SECURITE)/LOCK PANEL (VERROU PANNEAU) a la valeur ON (ACTIF), vous devez entrer le mot de passe pour afficher le contenu de QUALITY MENU (MENU QUALITE). Pour plus d'informations sur LOCK PANEL (VERROU PANNEAU), voir « SYS DEFAULT MENU (MENU DEF AUT SYS.) » à la page 48.

| Éléments | Paramètres (valeur par défaut en gras)/Description |
|---------------------------|---|
| COLOR MODE (MODE COULEUR) | COLOR (COULEUR)/GRAYSCALE (NIVEAUX GRIS) |
| | Si COLOR (COULEUR) est sélectionné, les pages sont imprimées en couleur. Si GRAYSCALE (NIVEAUX GRIS) est sélectionné, les pages sont imprimées en noir et blanc. Remarque : Le paramètre du mode couleur défini dans le pilote de l'imprimante est prioritaire sur celui défini dans ce menu. |
| BRIGHTNESS (LUMINOSITE) | -15%/-10%/-5%/0%/+5%/+10%/+15% |
| | Vous pouvez régler la luminosité de l'image imprimée. |

| Eléments | | Paramètres (valeur par défaut en gras)/Description |
|--|--|--|
| HALFTONE (DEMI-TON) | IMAGE PRINTING (RENDU IMAGE)/TEXT PRINTING (RENDU TEXTE)/GRAPHICS PRINTING (RENDU GRAPHIQUE) | LINE ART (DESSIN FILAIRE)/ DETAIL /SMOOTH (LISSAGE) (images) LINE ART (DESSIN FILAIRE) /DETAIL/SMOOTH (LISSAGE) (texte/graphiques) |
| | | Sélectionnez le mode de reproduction des demi-tons dans les images, le texte et les graphiques. Si LINE ART (DESSIN FILAIRE) est sélectionné, les demi-tons sont reproduits avec une très haute précision. Si DETAIL est sélectionné, les demi-tons sont reproduits de façon détaillée. Si SMOOTH (LISSAGE) est sélectionné, les demi-tons sont reproduits avec un aspect lisse. |
| EDGE ENHANCEMENT (AMELIORER CONTOUR)*1 | IMAGE PRINTING (RENDU IMAGE)/TEXT PRINTING (RENDU TEXTE)/GRAPHICS PRINTING (RENDU GRAPHIQUE) | ON (ACTIF)/ OFF (DESACTIVE) (images) ON (ACTIF) /OFF (DESACTIVE) (texte/graphiques) |
| | | Indiquez si les contours des images, du texte et des graphiques sont renforcés ou non. Si ON (ACTIF) est sélectionné, les contours sont renforcés. Si OFF (DESACTIVE) est sélectionné, les contours ne sont pas renforcés. |
| EDGE STRENGTH (FORCE CONTOUR) | | OFF (DESACTIVE)*1/LOW (LEGER)/ MIDDLE (MOYEN) /HIGH (FORT) |
| | | Sélectionnez le degré de renforcement des contours. |
| ECONOMY PRINT (IMPR. ECONOMIQUE) | | ON (ACTIF)*1/ OFF (DESACTIVE) |
| | | Indiquez si les graphiques sont imprimés avec une densité réduite en réduisant la quantité de toner utilisée. |

| Eléments | | Paramètres (valeur par défaut en gras)/Description | |
|-----------------------------|--|--|---|
| PCL SETTING (PARAMETRE PCL) | CONTRAST (CONTRASTE) | | |
| | -15%/-10%/-5%/0%/+5%/+10%/+15% | | |
| | Vous pouvez régler le contraste de l'image. | | |
| | IMAGE PRINTING (RENDU IMAGE)/ TEXT PRINTING (RENDU TEXTE)/ GRAPHICS PRINTING (RENDU GRAPHIQUE) | RGB SOURCE (SOURCE RVB) | DEVICE COLOR (COULEUR PERIPH.)/sRGB Spécifiez l'espace couleur pour les données RVB d'images, de texte et de graphiques. Si DEVICE COLOR (COULEUR PERIPH.) est sélectionné, aucun espace couleur n'est défini. |
| | | RGB INTENT (RENDU RVB) | VIVID (REALISTE)/PHOTOGRAPHIC (PHOTOGRAPHIQUE) (images) VIVID (REALISTE)/PHOTOGRAPHIC (PHOTOGRAPHIQUE) (texte/graphiques) Spécifiez la caractéristique à appliquer lors de la conversion de données RVB d'images, de texte et de graphiques en données CMJN. Si VIVID (REALISTE) est sélectionné, la sortie est vive. Si PHOTOGRAPHIC (PHOTOGRAPHIQUE) est sélectionné, la sortie est plus éclatante. |
| | | RGB GRAY (GRIS RVB) | COMPOSITE BLACK (NOIR COMPOSITE)/BLACK AND GRAY (NOIR ET GRIS)/BLACK ONLY (NOIR SEUL) (images) COMPOSITE BLACK (NOIR COMPOSITE)/BLACK AND GRAY (NOIR ET GRIS)/BLACK ONLY (NOIR SEUL) (texte/graphiques) Spécifiez le mode de reproduction du noir et des gris de données RVB d'images, de texte et de graphiques. Si COMPOSITE BLACK (NOIR COMPOSITE) est sélectionné, le noir est reproduit en utilisant les quatre couleurs CMJN. Si BLACK AND GRAY (NOIR ET GRIS) est sélectionné, le noir et le gris sont reproduits en utilisant uniquement le noir. Si BLACK ONLY (NOIR SEUL) est sélectionné, le noir est reproduit en utilisant uniquement le noir. |

| Eléments | | | Paramètres (valeur par défaut en gras)/Description |
|------------------------------|--|-------------------------|--|
| PS SETTING (PARAMÈTRE PS) | IMAGE PRINTING (RENDU IMAGE)/ TEXT PRINTING (RENDU TEXTE)/ GRAPHICS PRINTING (RENDU GRAPHIQUE) | RGB SOURCE (SOURCE RVB) | <p>DEVICE COLOR (COULEUR PERIPH.)/sRGB/Apple RGB/Adobe RGB (1998)/ColorMatch RGB (Correspondance coul. RVB)/Blue Adjust RGB (Ajust Bleu RVB)</p> <p>Spécifiez l'espace couleur pour les données RVB d'images, de texte et de graphiques.</p> <p>Si DEVICE COLOR (COULEUR PERIPH.) est sélectionné, aucun espace couleur n'est défini.</p> <p>Les profils source RVB téléchargés avec Web-Based Epson-Net Config sont disponibles en tant que RGB SOURCE (SOURCE RVB).</p> |
| | | RGB INTENT (RENDU RVB) | <p>VIVID (REALISTE)/PHOTOGRAPHIC (PHOTOGRAPHIQUE)/RELATIVE COLOR (COULEUR RELATIVE)/ABSOLUTE COLOR (COULEUR ABSOLUE) (images)</p> <p>VIVID (REALISTE)/PHOTOGRAPHIC (PHOTOGRAPHIQUE)/RELATIVE COLOR (COULEUR RELATIVE)/ABSOLUTE COLOR (COULEUR ABSOLUE) (texte/graphiques)</p> <p>Spécifiez la caractéristique à appliquer lors de la conversion de données RVB d'images, de texte et de graphiques en données CMJN.</p> <p>Si VIVID (REALISTE) est sélectionné, la sortie est vive.</p> <p>Si PHOTOGRAPHIC (PHOTOGRAPHIQUE) est sélectionné, la sortie est plus éclatante.</p> <p>Si RELATIVE COLOR (COULEUR RELATIVE) est sélectionné, la couleur relative est appliquée au profil source RVB.</p> <p>Si ABSOLUTE COLOR (COULEUR ABSOLUE) est sélectionné, la couleur absolue est appliquée au profil source RVB.</p> |
| | | RGB GRAY (GRIS RVB) | <p>COMPOSITE BLACK (NOIR COMPOSITE)/BLACK AND GRAY (NOIR ET GRIS)/BLACK ONLY (NOIR SEUL) (images)</p> <p>COMPOSITE BLACK (NOIR COMPOSITE)/BLACK AND GRAY (NOIR ET GRIS)/BLACK ONLY (NOIR SEUL) (texte/graphiques)</p> <p>Spécifiez le mode de reproduction du noir et des gris de données RVB d'images, de texte et de graphiques.</p> <p>Si COMPOSITE BLACK (NOIR COMPOSITE) est sélectionné, le noir est reproduit en utilisant les quatre couleurs CMJN.</p> <p>Si BLACK AND GRAY (NOIR ET GRIS) est sélectionné, le noir et le gris sont reproduits en utilisant uniquement le noir.</p> <p>Si BLACK ONLY (NOIR SEUL) est sélectionné, le noir est reproduit en utilisant uniquement le noir.</p> |

| Éléments | | Paramètres (valeur par défaut en gras)/Description | |
|----------|------------|--|---|
| | | DESTINATION PROF (PROFIL DESTINAT.) | <p>AUTO (Autom.)</p> <p>Spécifiez le profil de destination.</p> <p>Si AUTO est sélectionné, le profil de destination que l'imprimante adapte automatiquement est défini d'après une combinaison de la correspondance des couleurs, des demi-tons et d'autres profils spécifiés.</p> <p>Les profils de destination téléchargés avec Web-Based EpsonNet Config sont disponibles en tant que DESTINATION PROF (PROFIL DESTINAT.).</p> |
| | SIMULATION | SIMULATION PROF (PROFIL SIMUL) | <p>NONE (AUCUN)/SWOP/Euroscale/Commercial Press/Japan Color/TOYO/DIC</p> <p>Spécifiez le profil de simulation</p> <p>Si NONE (AUCUN) est sélectionné, aucun profil de simulation n'est défini.</p> <p>Les profils de simulation téléchargés avec Web-Based EpsonNet Config sont disponibles en tant que SIMULATION PROF (PROFIL SIMUL).</p> |
| | | | <p>RELATIVE COLOR (COULEUR RELATIVE)/ABSOLUTE COLOR (COULEUR ABSOLUE)</p> <p>Spécifiez la caractéristique du profil de simulation.</p> |
| | | CMYK GRAY (GRIS CMJN) | <p>COMPOSITE BLACK (NOIR COMPOSITE)/BLACK AND GRAY (NOIR ET GRIS)/BLACK ONLY (NOIR SEUL)</p> <p>Spécifiez le mode de reproduction du noir et des gris à l'aide des quatre couleurs CMJN.</p> <p>Si COMPOSITE BLACK (NOIR COMPOSITE) est sélectionné, le noir est reproduit en utilisant les quatre couleurs CMJN.</p> <p>Si BLACK AND GRAY (NOIR ET GRIS) est sélectionné, le noir et le gris sont reproduits en utilisant uniquement le noir.</p> <p>Si BLACK ONLY (NOIR SEUL) est sélectionné, le noir est reproduit en utilisant uniquement le noir.</p> |

| Éléments | | | | Paramètres (valeur par défaut en gras)/Description |
|-------------------------------------|-----------------------------------|--|--|---|
| CALIBRATION (Calibrage) | TONE CALIBRATION (ETALONNAGE TON) | | | ON (ACTIF)/OFF (DESACTIVE) Si ON (ACTIF) est sélectionné, les réglages d'image sont appliqués. Si OFF (DESACTIVE) est sélectionné, les réglages d'image ne sont pas appliqués. |
| | AIDC PROCESS (CYCLE AIDC) | | | EXECUTE (EXECUTER)/CANCEL (ANNULER) Si EXECUTE (EXECUTER) est sélectionné, les réglages d'image sont effectués immédiatement. Si CANCEL (ANNULER) est sélectionné, les réglages d'image ne sont pas effectués. Remarque : La fonction AIDC PROCESS (CYCLE AIDC) consomme du toner. |
| | CMYK DENSITY (DENSITE CMJN) | CYAN/MAGENTA/YELLOW (JAUNE)/BLACK (NOIR) | HIGHLIGHT (CLAIR)/MIDDLE (MOYEN)/SHADOW (OBSCUR) | -3/-2/-1/ 0 /+1/+2/+3 Vous pouvez régler la densité des tons clair/moyen/obscur dans les images. |
| COLOR SEPARATION (SEPARATION COUL.) | | | | ON (ACTIF)/OFF (DESACTIVE) Si ON (ACTIF) est sélectionné, la séparation des couleurs est effectuée. Le contenu d'une page couleur est séparé en quatre pages pour imprimer respectivement le jaune, le magenta, le cyan et le noir, chaque page étant imprimée individuellement avec des dégradés de noir. L'ordre d'impression est le suivant : jaune, magenta, cyan et noir. |

*1 Si le paramètre **EDGE STRENGTH (FORCE CONTOUR)** a la valeur **OFF (DESACTIVE)** ou que le paramètre **ECONOMY PRINT (IMPR. ECONOMIQUE)** a la valeur **ON (ACTIF)**, les contours ne sont pas renforcés.

MEMORY DIRECT (MÉMOIRE DIRECTE)

Ce menu vous permet de définir les paramètres de la fonction « mémoire directe ».

Pour plus d'informations sur cette fonction, voir « Mémoire directe » à la page 61.

Remarque :

- ❑ Cet élément n'apparaît que si un disque dur optionnel est installé et que le paramètre INTERFACE MENU (MENU INTERFACE)/MEMORY DIRECT (MÉMOIRE DIRECTE) a la valeur ENABLE (ACTIVE).
- ❑ Ce menu n'apparaît pas si l'accès utilisateur public n'a pas été autorisé au moyen des paramètres d'authentification. Pour plus d'informations sur les paramètres d'authentification, voir le Guide de Référence.
- ❑ Si le paramètre SYS DEFAULT MENU (MENU DEFAUT SYS.)/SECURITY (SECURITE)/LOCK PANEL (VERROU PANNEAU) a la valeur ON (ACTIF), vous devez entrer le mot de passe pour afficher le contenu de MEMORY DIRECT (MÉMOIRE DIRECTE). Pour plus d'informations sur LOCK PANEL (VERROU PANNEAU), voir « SYS DEFAULT MENU (MENU DEFAUT SYS.) » à la page 48.

| Eléments | Paramètres (valeur par défaut en gras)/Description |
|--|--|
| LIST OF FILES (LISTE FICHIERS)* ¹ | <p>Sélectionnez le fichier que vous voulez imprimer, puis appuyez sur la touche Menu/Select.</p> <p>Si le fichier à imprimer se trouve dans un dossier, sélectionnez ce dossier, puis appuyez sur la touche Menu/Select.</p> <p>Remarque : Vous pouvez afficher jusqu'à 99 dossiers et fichiers. Les dossiers vides ne sont pas affichés.</p> |

| Eléments | | Paramètres (valeur par défaut en gras)/Description |
|--------------------------------|------------------------|--|
| | LETTER/A4*2 | LETTER, LEGAL, EXECUTIVE, A4 , A5, A6, B5(JIS), B6(JIS), GOVT LETTER (LETTER OFF.), STATEMENT, FOLIO, SP FOLIO, UK QUARTO (QUARTO R-U), FOOLSCAP, GOVT LEGAL (LEGAL OFF.), 16K, PHOTO 4×6*3, KAI 16, KAI 32, ENV C6 (ENV. C6), ENV DL (ENV. DL), ENV MONARCH (ENV. Monarch), ENV CHOU#3 (ENV. Chou#3), ENV CHOU#4 (ENV. Chou#4), B5(ISO), ENV #10 (ENV. #10), JPOST (C. JAPON), JPOST-D (C. JAPON-D), 8 1/8×13 1/4, 8 1/2×13 1/2, CUSTOM (PERSONNALISE) |
| | | Permet de modifier le format du papier. |
| | DUPLEX (RECTO-VERSO)*4 | OFF (DESACTIVE) /LONG EDGE (BORD LONG)/SHORT EDGE (BORD COURT) |
| | | Activez ou désactivez l'impression recto-verso. Si <code>OFF (DESACTIVE)</code> est sélectionné, l'impression recto-verso n'est pas effectuée. Si <code>LONG EDGE (BORD LONG)</code> est sélectionné, la page s'imprime des deux côtés de manière à pouvoir être reliée sur le bord long. Si <code>SHORT EDGE (BORD COURT)</code> est sélectionné, la page s'imprime des deux côtés de manière à pouvoir être reliée sur le bord court. |
| | COPIES | 1-9999 |
| | | Spécifiez le nombre de copies à imprimer. |
| | COLLATE (ASSEMBLER)*5 | ON (ACTIF)/OFF (DESACTIVE) |
| | | Activez ou désactivez le tri des copies. |
| TYPE OF FILES (TYPE DE FICHER) | | PDF,XPS,JPEG,TIFF/PDF,XPS |
| | | Sélectionnez le type de fichiers à afficher. |

*1 Cet élément n'apparaît que si un périphérique mémoire USB est branché au port mémoire USB.

*2 Cet élément n'apparaît pas si le fichier sélectionné est au format PDF ou XPS.

*3 En fonction du paramètre sélectionné pour `SYS DEFAULT MENU (MENU DEF AUT SYS.)/PAPER (PAPIER)/UNIT OF MEASURE (UNITE MESURE)`, PHOTO 4×6 peut être remplacé par PHOTO 10×15.

*4 Cet élément n'apparaît que sur le modèle Epson AcuLaser C3900DN.

*5 Cet élément n'apparaît que si un disque dur optionnel est installé.

INTERFACE MENU (MENU INTERFACE)

Ce menu vous permet de définir les paramètres d'interface.

Remarque :

- ❑ Après avoir modifié des paramètres dans le menu ETHERNET, redémarrez l'imprimante.
- ❑ Si le paramètre SYS DEFAULT MENU (MENU DEFAUT SYS.)/SECURITY (SECURITE)/LOCK PANEL (VERROU PANNEAU) a la valeur ON (ACTIF), vous devez entrer le mot de passe pour afficher le contenu de INTERFACE MENU (MENU INTERFACE). Pour plus d'informations sur LOCK PANEL (VERROU PANNEAU), voir « SYS DEFAULT MENU (MENU DEFAUT SYS.) » à la page 48.

| Eléments | | | Paramètres (valeur par défaut en gras)/Description |
|-------------------------------|--------|--|--|
| JOB TIMEOUT (DELAJ FIN TÂCHE) | | | 5 seconds (5 secondes)- 15 seconds (15 secondes) -300 seconds (300 secondes) Spécifiez le délai au bout duquel doit s'effectuer la réception un travail d'impression. |
| ETHERNET | TCP/IP | ENABLE (Activer) | YES (OUI)/NO (NON) |
| | | IP ADDRESS (ADRESSE IP)* ¹ | 000.000.000.000 Définissez l'adresse IP de cette imprimante sur le réseau. Si vous spécifiez l'adresse IP manuellement, DHCP, BOOTP et ARP/PING ont automatiquement la valeur OFF (DESACTIVE). |
| | | SUBNET MASK (MASQUE SS-RESEAU)* ¹ | 000.000.000.000 Spécifiez le masque de sous-réseau du réseau. |
| | | DEFAULT GATEWAY (PORTAIL PAR DEF.)* ¹ | 000.000.000.000 Spécifiez l'adresse IP du routeur sur le réseau le cas échéant. |
| | | DHCP* ¹ | ON (ACTIF)/OFF (DESACTIVE) Indiquez si l'adresse IP doit être automatiquement acquise ou non. |
| | | BOOTP* ¹ | ON (ACTIF)/OFF (DESACTIVE) Indiquez si l'adresse IP doit être automatiquement acquise ou non. |

| Éléments | | Paramètres (valeur par défaut en gras)/Description |
|----------|-------------------------------|--|
| | ARP/PING*1 | ON (ACTIF)/ OFF (DESACTIVE) Indiquez si l'adresse IP doit être automatiquement acquise ou non. |
| | HTTP*1 | ENABLE (ACTIVE) YES (OUI)/NO (NON) |
| | FTP*1 | ENABLE (ACTIVE) YES (OUI)/NO (NON) |
| | TELNET*1 | ENABLE (ACTIVE)/ DISABLE (DESACTIVE) Activez ou désactivez les transmissions Telnet. |
| | BON-JOUR*1 | ENABLE (ACTIVE) YES (OUI)/NO (NON) |
| | DYNAMIC DNS (DNS DYNAMIQUE)*1 | ENABLE (ACTIVE) YES (OUI)/NO (NON) |
| | IPP*1*2 | ENABLE (ACTIVE) YES (OUI)/NO (NON) |
| | RAW PORT (PORT BRUT)*1 | ENABLE (ACTIVE) YES (OUI)/NO (NON) |
| | | BIDIRECTIONAL (BIDIRECTIONNEL)*3 ON (ACTIF)/ OFF (DESACTIVE) Si ON (ACTIF) est sélectionné, les transmissions du port RAW sont activées. Si OFF (DESACTIVE) est sélectionné, les transmissions du port RAW sont désactivées. |
| | SLP*1 | ENABLE (ACTIVE) YES (OUI)/NO (NON) |
| | SMTP*1 | ENABLE (ACTIVE) YES (OUI)/NO (NON) |
| | SNMP*1 | ENABLE (ACTIVE) YES (OUI)/NO (NON) |
| | WSD PRINT (IMPRESSION WSD)*1 | ENABLE (ACTIVE) YES (OUI)/NO (NON) |

| Éléments | | | Paramètres (valeur par défaut en gras)/Description |
|----------|---|--------------------------------------|--|
| | IPSEC*1 | ENABLE (ACTIVE) | YES (OUI)/NO (NON) |
| | IP ADDRESS FILTER (FILTRE ADRESSE IP)*1 | ACCESS PERMISSION (PERMISSION ACCES) | ENABLE (ACTIVE)/DISABLE (DESACTIVE) Activez ou désactivez l'autorisation d'accès. |
| | | ACCESS REFUSE (REFUS ACCES) | ENABLE (ACTIVE)/DISABLE (DESACTIVE) Activez ou désactivez l'interdiction d'accès. |
| | IPv6*1 | ENABLE (ACTIVE) | YES (OUI)/NO (NON) |
| | | AUTO SETTING (CONFIG. AUTO)*4 | YES (OUI)/NO (NON) Si YES (OUI) est sélectionné, la configuration automatique d'IPv6 est activée. |
| | | LINK LOCAL (LIEN LOCAL)*4 | Affiche l'adresse de lien local. |
| | | GLOBAL ADDRESS (ADRESSE MONDIALE)*4 | Affiche l'adresse globale. |
| | | GATEWAY ADDRESS (ADRESSE PORTAIL)*4 | Affiche l'adresse du portail. |
| | NETWARE | ENABLE (ACTIVE) | YES (OUI)/NO (NON) |
| | APPLE-TALK | ENABLE (ACTIVE) | YES (OUI)/NO (NON) |
| | SPEED/DUPLEX (VITESSE/Ro-Vo) | | AUTO/10BASE FULL (10BASE TOTAL)/10BASE HALF (10BASE DEMI)/100BASE FULL (100BASE TOTAL)/100BASE HALF (100BASE DEMI)/1000BASE FULL (1000BASE TOTAL) Spécifiez la vitesse de transmission pour le réseau et la méthode de transmission pour la transmission bidirectionnelle. |
| | IEEE802.1X | ENABLE (ACTIVE) | YES (OUI)/NO (NON) |

| Éléments | Paramètres (valeur par défaut en gras)/Description |
|-----------------------------------|--|
| MEMORY DIRECT (MÉMOIRE DIRECTE)*5 | ENABLE (ACTIVE) /DISABLE (DESACTIVE) |
| | Activez ou désactivez l'impression directement à partir de la mémoire. |

*1 Ces éléments n'apparaissent que si le paramètre INTERFACE MENU (MENU INTERFACE)/ETHERNET/TCP/IP/ENABLE (ACTIVE) a la valeur YES (OUI).

*2 Si le paramètre HTTP/ENABLE (ACTIVE) a la valeur NO (NON), IPP ne peut pas être défini.

*3 Cet élément n'apparaît que si le paramètre INTERFACE MENU (MENU INTERFACE)/ETHERNET/TCP/IP/RAW PORT (PORT BRUT)/ENABLE (ACTIVE) a la valeur YES (OUI).

*4 Ces éléments n'apparaissent que si le paramètre INTERFACE MENU (MENU INTERFACE)/ETHERNET/TCP/IP/IPV6/ENABLE (ACTIVE) a la valeur YES (OUI).

*5 Cet élément n'apparaît que si un disque dur optionnel est installé.

SYS DEFAULT MENU (MENU DEFAUT SYS.)

Ce menu vous permet de définir des paramètres pour régler le fonctionnement de l'imprimante, notamment la langue des messages apparaissant dans l'écran des messages et le délai avant l'activation du mode Economie énergie.

Remarque :

Si le paramètre SYS DEFAULT MENU (MENU DEFAUT SYS.)/SECURITY (SECURITE)/LOCK PANEL (VERROU PANNEAU) a la valeur ON (ACTIF), vous devez entrer le mot de passe pour afficher le contenu de SYS DEFAULT MENU (MENU DEFAUT SYS.). Pour plus d'informations sur LOCK PANEL (VERROU PANNEAU), voir « SYS DEFAULT MENU (MENU DEFAUT SYS.) » à la page 48.

| Éléments | Paramètres (valeur par défaut en gras)/Description |
|-------------------|---|
| LANGUAGE (Langue) | ENGLISH /FRANÇAIS/DEUTSCH/ESPAÑOL/ITALIANO/PORTUGUÉS/ČEŠTINA/한국어/繁體中文/NEDERLANDS/РУССКИЙ/ПОЛСКИ/TÜRKÇE |
| | Sélectionnez la langue des menus et des messages affichés à l'écran. |

| Eléments | | Paramètres (valeur par défaut en gras)/Description | |
|-----------|-----------------------------------|--|---|
| EMULATION | DEF. EMULATION (EMUL. PAR DEFAUT) | AUTO /POSTSCRIPT/PCL Spécifiez le langage d'émulation de l'imprimante. Si AUTO est sélectionné, l'imprimante sélectionne automatiquement le langage d'émulation à partir du flux de données. | |
| | POSTSCRIPT | WAIT TIMEOUT (DELAÏ ATTENTE) | 0 -300 Spécifiez le délai au bout duquel une erreur doit être considérée comme une erreur PostScript. Si 0 est sélectionné, aucun délai n'est appliqué. |
| | | PS ERROR PAGE (PAGE ERREURS PS) | ON (ACTIF)/ OFF (DESACTIVE) Indiquez si une page d'erreur doit être imprimée ou non à la suite d'une erreur Postscript. |
| | PS PROTOCOL (PROTOCOLE PS) | AUTO /NORMAL/BINARY (BINAIRE) Spécifiez le protocole de transmission de données avec un flux de données PostScript. Si AUTO est sélectionné, l'imprimante sélectionne automatiquement un protocole applicable à partir du flux de données. | |
| | | AUTO TRAPPING | ON (ACTIF)/ OFF (DESACTIVE) Indiquez si les couleurs voisines doivent être imprimées ou non en superposition afin d'éviter les espaces blancs autour des images. |

| Éléments | | Paramètres (valeur par défaut en gras)/Description | |
|----------|------------------------------|--|---|
| | | BLACK OVERPRINT (SURIMPR. NOIR) | <p>TEXT/GRAPHIC (TEXTE/GRAPHIQUE), TEXT (TEXTE)/OFF (DESACTIVE)</p> <p>Spécifiez si les objets noirs sont imprimés (en superposition) ou non sur une couleur voisine afin d'éviter les espaces blancs autour des caractères ou des chiffres noirs.</p> <p>Si TEXT/GRAPHIC (TEXTE/GRAPHIQUE) est sélectionné, l'impression superposée est appliquée au texte et aux graphiques.</p> <p>Si TEXT (TEXTE) est sélectionné, l'impression superposée est appliquée au texte.</p> |
| PCL | | CR/LF MAPPING (FORMATAGE CR/LF) | <p>CR=CR LF=LF/CR=CRLF LF=LF/CR=CR LF=LFCR/CR=CRLF LF=LFCR</p> <p>Sélectionnez les définitions des codes CR/LF dans le langage PCL.</p> |
| | | LINES PER PAGE (LIGNES PAR PAGE) | <p>5-60-128</p> <p>Spécifiez le nombre de lignes par page dans le langage PCL.</p> |
| | FONT SOURCE (SOURCE POLICES) | FONT NUMBER (NUMERO POLICE) | <p>0-102</p> <p>Spécifiez la police par défaut dans le langage PCL.</p> <p>Les numéros de police qui s'affichent correspondent à la liste des polices PCL. Pour plus d'informations sur l'impression de la liste des polices, voir « PRINT MENU (MENU IMPRIMER) » à la page 32.</p> |
| | | PITCH SIZE (ESPACE-MENT) (POINT SIZE (TAILLE POINT)) | <p>0.44-10.00-99.99(4.00-12.00-999.75)</p> <p>Spécifiez la taille de la police dans le langage PCL.</p> <p>Si la sélection FONT NUMBER (NUMERO POLICE) concerne une police bitmap, PITCH SIZE (ESPACE-MENT) s'affiche. Si la sélection FONT NUMBER (NUMERO POLICE) concerne une police de contour, POINT SIZE (TAILLE POINT) s'affiche.</p> |
| | | SYMBOL SET (JEU SYMBOLES) | <p>Spécifiez le jeu de symboles utilisé avec le langage PCL.</p> <p>Par défaut : PC8.</p> |

| Eléments | | | Paramètres (valeur par défaut en gras)/Description |
|----------|----------------------------------|---|--|
| | XPS*1 | DIGITAL SIGNATURE (SIGNATURE NUMERIQ) | ENABLE (ACTIVE)/ DISABLE (DEACTIVE) |
| | | | Activez ou désactivez les signatures numériques XPS. |
| | XPS ERROR PAGE (PAGE ERREUR XPS) | ON (ACTIF) /OFF (DEACTIVE) | |
| | | Indiquez si un rapport d'erreur doit être ou non imprimé à la suite d'une erreur XPS. | |

| Éléments | | | Paramètres (valeur par défaut en gras)/Description |
|----------------|-----------------------------------|---|--|
| PAPER (PAPIER) | DEFAULT PAPER (PAPIER PAR DÉFAUT) | PAPER SIZE (FORMAT PAPIER) | LETTER, LEGAL, EXECUTIVE, A4 , A5, A6, B5(JIS), B6(JIS), GOVT LETTER (LETTER OFF.), STATEMENT, FOLIO, SP FOLIO, UK QUARTO (QUARTO R-U), FOOLSCAP, GOVT LEGAL (LEGAL OFF.), 16K, PHOTO 4x6*2, KAI 16, KAI 32, ENV C6 (ENV. C6), ENV DL (ENV. DL), ENV MONARCH (ENV. Monarch), ENV CHOU#3 (ENV. Chou#3), ENV CHOU#4 (ENV. Chou#4), B5(ISO), ENV #10 (ENV. #10), JPOST (C. JAPON), JPOST-D (C. JAPON-D), 8 1/8x13 1/4, 8 1/2x13 1/2, CUSTOM (PERSONNALISE) |
| | | | Sélectionnez le format du support normalement utilisé. |
| | CUSTOM SIZE (PERSONNALISE) | Spécifiez le format du support lorsque le paramètre PAPER SIZE (FORMAT PAPIER) a la valeur CUSTOM (PERSONNALISE). Le paramètre SYS DEFAULT MENU (MENU DÉFAUT SYS.)/PAPER (PAPIER)/UNIT OF MEASURE (UNITÉ MESURE) permet de choisir des millimètres ou des pouces comme unité de mesure. Les valeurs pouvant être sélectionnées pour WIDTH (LARGEUR) vont de 92 à 216 mm. Par défaut : 210 mm. Les valeurs pouvant être sélectionnées pour LENGTH (LONGUEUR) vont de 148 à 356 mm. Par défaut : 297 mm. | |
| | PAPER TYPE (TYPE DE PAPIER) | PLAIN PAPER (PAPIER STANDARD) /RECYCLED (RECYCLE)/THICK 1 (EPAIS 1)/THICK 2 (EPAIS 2)/LABEL (ÉTIQUETTES)/ENVELOPE (ENVELOPPE)/POSTCARD (CARTE)/LETTERHEAD (EN-TÊTE)/GLOSSY 1 (BRILLANT 1)/GLOSSY 2 (BRILLANT 2)/SGL SIDE ONLY (RECTO SEUL)/SPECIAL PAPER (PAPIER SPÉCIAL) | |
| | | | Sélectionnez le type de support normalement utilisé. |
| | UNIT OF MEASURE (UNITÉ MESURE) | | INCHES (POUCES)/MILLIMETERS (MILLIMÈTRES) |
| | | | Pour définir un format de support personnalisé, vous avez le choix entre des pouces et des millimètres comme unité de mesure. |

| Éléments | | Paramètres (valeur par défaut en gras)/Description |
|--|-------------------------------------|--|
| GRAYSCALE PAGE (PAGE NIVEAU GRIS) | | <p>AUTO/GRAYSCALE PRINT (IMPR. NIVEAU GRIS)/COLOR PRINT (IMPR. COULEUR)</p> <p>Spécifiez le mode d'impression des pages noir et blanc dans un travail défini pour une impression couleur.</p> <p>Si l'option AUTO est sélectionnée, l'imprimante détermine si les données sont en couleur ou en noir et blanc avant de les imprimer.</p> <p>SIGRAYSCALE PRINT (IMPR. NIVEAU GRIS) est sélectionné, l'impression s'effectue automatiquement en noir et blanc en fonction de chaque page. Ceci peut ralentir la vitesse d'impression dans certains cas, mais la consommation des cartouches toner couleur et du bloc photoconducteur s'en trouve réduite.</p> <p>Si COLOR PRINT (IMPR. COULEUR) est sélectionné, l'impression s'effectue en couleur, même pour une page noir et blanc.</p> |
| STARTUP OPTIONS (OPTIONS l NIT.) | DO STARTUP PAGE (IMPRIMER PGE INIT) | <p>ON (ACTIF)/OFF (DESACTIVE)</p> <p>Indiquez si une page de départ est imprimée ou non lors du démarrage de l'imprimante.</p> |
| | AUTO CONTINUE (Contr Auto) | <p>ON (ACTIF)/OFF (DESACTIVE)</p> <p>Indiquez si l'impression doit ou non se poursuivre lorsque le format ou le type du support chargé dans le bac sélectionné est différent de celui défini pour le travail d'impression.</p> <p>Si le paramètre AUTO CONTINUE (CONTINUER AUTO) a la valeur ON (ACTIF), l'impression se poursuit automatiquement au bout de 10 secondes dans les conditions suivantes. A ce moment là, l'impression est effectuée même si le format du support est différent.</p> <p>Pas de support : PAPER EMPTY (PLUS DE PAPIER)/TRAY EMPTY (« Messages d'erreur (appel opérateur) » à la page 153)</p> <p>Support de format/type différent : PAPER ERROR (ERREUR PAPIER)/TRAY X PAPER ERR (ERR. PAP. BAC X) (« Messages d'erreur (appel opérateur) » à la page 153)</p> |

| Éléments | Paramètres (valeur par défaut en gras)/Description |
|-------------------------------------|--|
| HOLD JOB TIMEOUT (TPS STOCK TRAV) | DISABLE (DESACTIVE) /1 hour (1 heure)/4 hours (4 heures)/1 day (1 jour)/1 week (1 semaine) |
| | Spécifiez le délai au bout duquel les travaux enregistrés sur le disque dur doivent être supprimés. Si DISABLE (DESACTIVE) est sélectionné, les travaux ne sont pas supprimés au bout d'un délai défini. |
| ENERGY SAVER TIME (TPS ECO ENERGIE) | 5 minutes/6 minutes/7 minutes/8 minutes/9 minutes/10 minutes/11 minutes/12 minutes/13 minutes/14 minutes/ 15 minutes /30 minutes/1 hour (1 heure)/3 hours (3 heures) |
| | Spécifiez le délai au bout duquel la machine passe en mode Economie énergie. |
| MENU TIMEOUT (DELAJ MENUS) | OFF (DESACTIVE) /1 minute/ 2 minutes |
| | Spécifiez le délai au bout duquel l'écran d'état doit s'afficher quand aucune opération n'est effectuée alors qu'un menu ou un écran d'aide est affiché sur l'écran des messages. Si OFF (DESACTIVE) est sélectionné, aucun délai n'est appliqué. |
| LCD CONTRAST (Contraste LCD) | -3/-2/-1/ 0 /+1/+2/+3 |
| | Réglez le contraste de l'écran des messages. Le degré d'obscurité maximal est de -3 et le degré de clarté maximal est de +3. |

| Éléments | | Paramètres (valeur par défaut en gras)/Description |
|-------------------------------------|------------------------------------|--|
| SECURITY (SECURITE) | CHANGE PASSWORD (CHANGER MT-PASSE) | Spécifiez le mot de passe de verrouillage du panneau de commande. Lorsque le mot de passe a la valeur 0000 (par défaut), le panneau de commande n'est pas verrouillé. Pour verrouiller le panneau de commande, assurez-vous d'utiliser un mot de passe autre que 0000. |
| | LOCK PANEL (VERROU PANNEAU) | OFF (DEACTIVE)/MINIMUM/ON (ACTIF) Spécifiez le mode de verrouillage du panneau de commande. Si OFF (DEACTIVE) est sélectionné, le panneau de commande n'est pas verrouillé. Si MINIMUM est sélectionné, INTERFACE MENU (MENU INTERFACE) et SYS DEFAULT MENU (MENU DEFAUT SYS.) sont protégés par mot de passe. Si ON (ACTIF) est sélectionné, tous les menus sont protégés par mot de passe. Pour verrouiller le panneau de commande, assurez-vous d'utiliser un mot de passe autre que 0000. |
| CLOCK (HORLOGE) | DATE (DD.MM.YY) (DATE (JJ.MM.AA)) | Spécifiez la date de l'horloge interne de l'imprimante. |
| | TIME (HEURE) | Spécifiez l'heure de l'horloge interne de l'imprimante. |
| | TIME ZONE (ZONE HORAIRE) | -12:00- 00:00 +13:00 |
| HDD FORMAT (FORMAT HDD)*3 | USER AREA ONLY (UTILISATEUR SEUL) | Permet d'initialiser la zone utilisateur du disque dur. Quand vous sélectionnez cette option de menu, l'imprimante redémarre automatiquement. |
| | ALL (TOUS) | Permet d'initialiser le disque dur. Quand vous sélectionnez cette option de menu, l'imprimante redémarre automatiquement. |
| RESTORE DEFAULTS (DEFAUTS INITIAUX) | RESTORE NETWORK (RESEAU INITIAL) | Permet de rétablir les valeurs par défaut des paramètres réseau. Quand vous sélectionnez cette option de menu, l'imprimante redémarre automatiquement. |
| | RESTORE PRINTER (IMPRIM. INITIALE) | Permet de rétablir les valeurs par défaut des paramètres de l'imprimante. Quand vous sélectionnez cette option de menu, l'imprimante redémarre automatiquement. |
| | RESTORE ALL (RESTAURER TOUT) | Permet de rétablir les valeurs par défaut de tous les paramètres. Quand vous sélectionnez cette option de menu, l'imprimante redémarre automatiquement. |

| Eléments | | | Paramètres (valeur par défaut en gras)/Description |
|----------------------------------|------------------------------|----------------------------|--|
| ENABLE WARNING (ACTIVER ALERTES) | PAPER EMPTY (PLUS DE PAPIER) | TRAY1 (Bac1) | ON (ACTIF)/OFF (DESACTIVE) Indiquez si un avertissement doit s'afficher ou non quand le Bac 1 est vide. |
| | | TRAY2 (Bac2) | ON (ACTIF)/OFF (DESACTIVE) Indiquez si un avertissement doit s'afficher ou non quand le Bac 2 est vide. |
| | | TRAY3 (BAC3) ^{*4} | ON (ACTIF)/OFF (DESACTIVE) Indiquez si un avertissement doit s'afficher ou non quand le Bac 3 est vide. |
| | TONER LOW (Toner bas) | | ON (ACTIF)/OFF (DESACTIVE) Indiquez si un avertissement doit s'afficher ou non quand le toner est presque vide. |
| | P/U LOW (NIV. U/P FAIBL) | | ON (ACTIF)/OFF (DESACTIVE) Indiquez si un avertissement doit s'afficher ou non lorsque le bloc photoconducteur arrive en fin de vie. |

*1 Cet élément n'apparaît que si un disque dur optionnel est installé.

*2 En fonction du paramètre sélectionné pour SYS DEFAULT MENU (MENU DEFAUT SYS.)/PAPER (PAPIER)/UNIT OF MEASURE (UNITE MESURE), PHOTO 4×6 peut être remplacé par PHOTO 10×15.

*3 Ces éléments n'apparaissent que si un disque dur optionnel est installé.

*4 Cet élément n'apparaît que si le chargeur papier de 500feuilles optionnel est installé.

MAINTENANCE MENU (MENU MAINTENANCE)

Ce menu permet d'assurer l'entretien de l'imprimante.

Pour accéder à ce menu, vous devez entrer un mot de passe d'administrateur.

| Éléments | | Paramètres (valeur par défaut en gras)/Description | |
|-------------------------------|--------------------------------------|---|---|
| PRINT MENU (MENU IMPRIMER) | EVENT LOG (JOURNAL INCIDENTS) | | PRINT (IMPRIMER)/CANCEL (ANNULER) Permet d'imprimer le journal des événements. |
| | HALFTONE 64 (DEMI-TON 64) | CYAN 64/MAGENTA 64/YELLOW 64 (JAUNE 64)/BLACK 64 (NOIR 64) | PRINT (IMPRIMER)/CANCEL (ANNULER) Permet d'imprimer le motif de demi-ton avec une densité de 25 % pour chaque couleur CMJN. |
| | HALFTONE 128 (DEMI-TON 128) | CYAN 128/MAGENTA 128/YELLOW 128 (JAUNE 128)/BLACK 128 (NOIR 128) | PRINT (IMPRIMER)/CANCEL (ANNULER) Permet d'imprimer le motif de demi-ton avec une densité de 50 % pour chaque couleur CMJN. |
| | HALFTONE 256 (DEMI-TON 256) | CYAN 256/MAGENTA 256/YELLOW 256 (JAUNE 256)/BLACK 256 (NOIR 256) | PRINT (IMPRIMER)/CANCEL (ANNULER) Permet d'imprimer le motif de demi-ton avec une densité de 100 % pour chaque couleur CMJN. |
| | GRADATION (DEGRADE) | | PRINT (IMPRIMER)/CANCEL (ANNULER) Permet d'imprimer le motif de dégradé. |
| ALIGNMENT (ALIGNEMENT) | TOP ADJUSTMENT (REGLAGE HAUT) | PLAIN PAPER (PAPIER STANDARD)/THICK (EPAIS)/THICK 2 (EPAIS 2)/ENVELOPE (ENVELOPPE) | -15-15 Permet de régler la marge du haut pour l'impression normale (recto seul) sur papier standard, papier épais, papier épais 2 et enveloppes. |
| | LEFT ADJUSTMENT (REGLAGE GAUCHE) | LEFT ADJ TRAY1 (REGLER GCHE BAC1)/LEFT ADJ TRAY2 (REGLER GCHE BAC2)/LEFT ADJ TRAY3 (REGLER GCHE BAC3) | -15-15 Permet de régler la marge de gauche pour l'impression normale (recto seul) sur le support chargé dans le bac 1, 2 ou 3. |
| | LEFT ADJ DUPLEX (REGLAGE GCHE R-V)*1 | LEFT ADJ TRAY1 (REGLER GCHE BAC1)/LEFT ADJ TRAY2 (REGLER GCHE BAC2)/LEFT ADJ TRAY3 (REGLER GCHE BAC3) | -15-15 Permet de régler la marge de gauche pour l'impression recto-verso sur le support chargé dans le bac 1, 2 ou 3. |

| Éléments | | | Paramètres (valeur par défaut en gras)/Description |
|-----------------------------------|--|---|---|
| TRANSFER POWER (PUISSANCE TRANSF) | SIMPLEX PASS (PASSE RECTO SEUL) | PLAIN PAPER (PAPIER STANDARD)/ THICK 1 (EPAIS 1)/ THICK 2 (EPAIS 2)/ POSTCARD (CARTE)/ENVELOPE (ENVELOPPE)/ LABEL (ÉTIQUETTES)/ GLOSSY 1 (BRILLANT 1)/GLOSSY 2 (BRILLANT 2) | -8-7 Permet de régler le courant de transfert d'image secondaire (ATVC) pour l'impression normale (recto seul) sur papier standard, papier épais 1, papier épais 2, cartes postales, enveloppes, étiquettes, support brillant 1 et support brillant 2. |
| | MANUAL DUPLEX (RECT-VERS MANUEL) | PLAIN PAPER (PAPIER STANDARD)/ THICK 1 (EPAIS 1)/ THICK 2 (EPAIS 2)/ POSTCARD (CARTE)/ENVELOPE (ENVELOPPE)/ LABEL (ÉTIQUETTES)/ GLOSSY 1 (BRILLANT 1)/GLOSSY 2 (BRILLANT 2) | -8-7 Permet de régler le courant de transfert d'image secondaire (ATVC) pour l'impression recto-verso sur papier standard, papier épais 1, papier épais 2, cartes postales, enveloppes, étiquettes, support brillant 1 et support brillant 2. |
| IMG ADJ THICK (AJUST IMG EPAIS) | CYAN/MAGENTA/YELLOW (JAUNE)/BLACK (NOIR) | | -5- 0 -5 Permet de régler avec précision la densité du cyan, du magenta, du jaune et du noir des images imprimées sur papier épais. |
| | | IMG ADJ BLACK (AJUST IMG NOIR) | -2- 0 -2 Permet de régler la densité des images imprimées en niveaux de gris. |

| Éléments | | Paramètres (valeur par défaut en gras)/Description |
|--------------------------------------|---------------------------------------|--|
| | FINE LINE ADJ (RÉGL LIGNE FINE) | -3-0-2 Permet de régler le mode de reproduction des lignes fines en modifiant la tension appliquée (VC) au rouleau électrostatique. |
| | AIDC MODE (MODE AIDC) | MODE 1/ MODE 2 Sélectionnez le mode d'utilisation AIDC. MODE 1 : mode standard MODE 2 : mode léger |
| | THICK MODE (MODE EPAIS) | QUALITY MODE (MODE QUALITÉ)/SPEED MODE (MODE VITESSE) Afin d'éviter que le toner ne se bouche dans l'unité de développement lorsqu'elle fonctionne à demi-vitesse, sélectionnez la durée pendant laquelle l'unité de développement doit fonctionner à pleine vitesse lorsque du papier épais est utilisé. QUALITY MODE (MODE QUALITÉ) : en cas d'impression sur du papier épais, l'impression est périodiquement suspendue et l'unité de développement fonctionne à pleine vitesse pour une durée déterminée. L'impression étant suspendue, la qualité n'est pas affectée ; cependant, une phase d'attente d'environ 70 secondes a lieu à peu près toutes les 400 secondes en fonctionnement à demi-vitesse. SPEED MODE (MODE VITESSE) : en cas d'impression sur du papier épais, seule l'unité de développement passe périodiquement à pleine vitesse pour une durée déterminée. L'impression se poursuivant à pleine vitesse, la qualité d'impression est légèrement affectée ; toutefois, le temps d'attente est court. |
| MAIN SCAN ADJUST (RÉGLER SCAN PRINC) | MAIN SCAN PAGE (PAGE SCAN PRINC) | PRINT (IMPRIMER)/CANCEL (ANNULER) Permet d'imprimer le motif test afin de régler avec précision les rapports de couleur dans la direction de numérisation principale. |
| | SCAN ADJUST VALUE (VALEUR RÉGL. SCAN) | YELLOW (JAUNE)/MAGENTA/ CYAN 42 - 0 - -42 Permet de régler le rapport de jaune/magenta/cyan dans la direction de numérisation principale. |

| Eléments | | | Paramètres (valeur par défaut en gras)/Description |
|--|---------------------------------|-----------------------------|--|
| SUPPLIES (FOURNITURES) | REPLACE (REPLACER) | FUSER UNIT (UNITE FIXATION) | YES (OUI)/NO (NON) |
| | | | Permet de réinitialiser le compteur de l'unité de fixation. |
| QUICK SETTING (CONFIG. RAPIDE)* ² | UPDATE SETTING (M-A-J CONFIG.) | | EXECUTE (EXECUTER)/CANCEL (ANNULER) |
| | | | Permet de mettre à jour les paramètres de l'imprimante à partir du fichier de définitions de paramètres de l'imprimante mémorisé sur le périphérique mémoire USB. Si EXECUTE (EXECUTER) est sélectionné, les paramètres de l'imprimante sont mis à jour. Si CANCEL (ANNULER) est sélectionné, les paramètres ne sont pas mis à jour. |
| | BACKUP SETTING (SAUVER CONFIG.) | | EXECUTE (EXECUTER)/CANCEL (ANNULER) |
| | | | Permet de stocker, dans un fichier de définition, les paramètres actuels de l'imprimante sur le périphérique mémoire USB. Si EXECUTE (EXECUTER) est sélectionné, les paramètres de l'imprimante sont enregistrés sur un périphérique mémoire USB. Si CANCEL (ANNULER) est sélectionné, les paramètres ne sont pas enregistrés . |
| BACKUP TYPE (TYPE SAUVEGARDE) | | | ALL (TOUS)/NETWORK (RÉSEAU)/PRINTER (IMPRIMANTE) |
| | | | Sélectionnez les paramètres à enregistrer sur un périphérique mémoire USB. Si ALL (TOUS) est sélectionné, les paramètres de l'imprimante et les paramètres réseau sont enregistrés sur le périphérique mémoire USB. Si NETWORK (RÉSEAU) est sélectionné, les paramètres réseau sont enregistrés sur le périphérique mémoire USB. Si PRINTER (IMPRIMANTE) est sélectionné, les paramètres de l'imprimante sont enregistrés sur le périphérique mémoire USB. |

*1 Cet élément n'apparaît que sur le modèle Epson AcuLaser C3900DN.

*2 Cet élément n'apparaît que si un périphérique mémoire USB est branché au port mémoire USB.

Chapitre 4

Mémoire directe

Mémoire directe

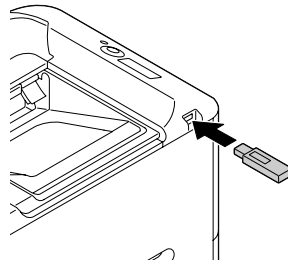
Il est possible d'imprimer des fichiers PDF, XPS, JPEG et TIFF enregistrés sur un périphérique mémoire USB en branchant ce dernier dans l'imprimante.

Remarque :

- ❑ La fonction Mémoire directe ne peut être utilisée que si un disque dur optionnel est installé.
- ❑ Les périphériques mémoire USB chiffrés ne sont pas pris en charge.
- ❑ Pour plus d'informations sur la spécification de paramètres à l'aide du panneau de commande, voir « MEMORY DIRECT (MÉMOIRE DIRECTE) » à la page 42.

Impression à partir d'un périphérique mémoire USB connecté

1. Connectez le périphérique mémoire USB au port mémoire USB.
L'icône USB apparaît dans le coin supérieur droit de l'écran des messages, et le menu MEMORY DIRECT (MÉMOIRE DIRECTE) s'affiche.



Remarque :

Même si SYS DEFAULT MENU (MENU DEFAUT SYS.)/SECURITY (SECURITE)/LOCK PANEL (VERROU PANNEAU) a la valeur ON (ACTIF), aucun mot de passe n'est requis pour le menu qui apparaît lorsque le périphérique mémoire USB est inséré.

2. Sélectionnez LIST OF FILES (LISTE FICHIERS), puis appuyez sur la touche **Menu/Select**.

Remarque :

Quand tous les fichiers (PDF, XPS, JPEG et TIFF) sont affichés, sélectionnez TYPE OF FILES (TYPE DE FICHER), puis appuyez sur la touche **Menu/Select**.

3. Dans la liste des fichiers, sélectionnez le fichier que vous voulez imprimer, puis appuyez sur la touche **Menu/Select**.
Si le fichier à imprimer se trouve dans un dossier, sélectionnez ce dossier, puis appuyez sur la touche **Menu/Select**.

Remarque :

- Vous pouvez afficher jusqu'à 99 dossiers et fichiers.
 - Vous pouvez afficher jusqu'à 8 niveaux de dossier.
4. Sélectionnez PRINT (IMPRIMER), puis appuyez sur la touche **Menu/Select**.
Une fois l'impression terminée, l'écran d'état réapparaît.

Remarque :

- Vous pouvez définir des paramètres pour le format du papier, l'impression recto-verso (C3900DN uniquement), le nombre de copies et le tri.
- Au cours de l'impression en mode mémoire directe, ne débranchez pas le périphérique mémoire USB du port mémoire USB.

Chapitre 5

Gestion des supports

Supports d'impression

Spécifications

| Support | Format | | Bac* ¹ | Recto-verso* ² |
|-------------------------|-------------|---------------|-------------------|---------------------------|
| | Pouces | Millimètres | | |
| Letter | 8,5 x 11,0 | 215,9 x 279,4 | 1/2/3 | Oui |
| Legal | 8,5 x 14,0 | 215,9 x 355,6 | 1/3 | Oui |
| Statement | 5,5 x 8,5 | 139,7 x 215,9 | 1/2 | Non |
| Executive | 7,25 x 10,5 | 184,2 x 266,7 | 1/2/3 | Oui |
| A4 | 8,2 x 11,7 | 210,0 x 297,0 | 1/2/3 | Oui |
| A5 | 5,9 x 8,3 | 148,0 x 210,0 | 1/2 | Non |
| A6 | 4,1 x 5,8 | 105,0 x 148,0 | 1/2 | Non |
| B5 (JIS) | 7,2 x 10,1 | 182,0 x 257,0 | 1/2/3 | Oui |
| B6 | 5,0 x 7,2 | 128,0 x 182,0 | 1/2 | Non |
| Folio | 8,25 x 13,0 | 210,0 x 330,0 | 1 | Oui |
| SP Folio | 8,5 x 12,69 | 215,9 x 322,3 | 1 | Oui |
| Foolscap | 8,0 x 13,0 | 203,2 x 330,2 | 1 | Oui |
| UK Quarto | 8,0 x 10,0 | 203,2 x 254,0 | 1/2 | Oui |
| Letter (officiel) | 8,0 x 10,5 | 203,2 x 266,7 | 1/2 | Oui |
| Legal (officiel) | 8,5 x 13,0 | 215,9 x 330,2 | 1/3 | Oui |
| Photo (4 x 6 / 10 x 15) | 4,0 x 6,0 | 101,6 x 152,4 | 1/2 | Non |
| 16 K | 7,7 x 10,6 | 195,0 x 270,0 | 1/2 | Oui |
| Kai 16 | 7,3 x 10,2 | 185,0 x 260,0 | 1/2 | Oui |

| Support | Format | | Bac ^{*1} | Recto-verso ^{*2} |
|---------------------------|--------------------|------------------------------|-------------------|---------------------------|
| | Pouces | Millimètres | | |
| Kai 32 | 5,1 x 7,3 | 130,0 x 185,0 | 1/2 | Non |
| 8 1/2 x 13 1/2 | 8,5 x 13,5 | 215,9 x 342,9 | 1 | Oui |
| 8 1/8 x 13 1/4 | 8,125 x 13,25 | 206,4 x 336,6 | 1 | Oui |
| Carte postale japonaise | 3,9 x 5,8 | 100,0 x 148,0 | 1 | Non |
| Carte postale japonaise-D | 5,8 x 7,9 | 148,0 x 200,0 | 1 | Non |
| B5 (ISO) | 6,9 x 9,8 | 176,0 x 250,0 | 1 | Non |
| Enveloppe n° 10 | 4,125 x 9,5 | 104,8 x 241,3 | 1 | Non |
| Enveloppe DL | 8,7 x 4,3 | 220,0 x 110,0 | 1 | Non |
| Enveloppe C6 | 6,4 x 4,5 | 162,0 x 114,0 | 1 | Non |
| Enveloppe Monarch | 7,5 x 3,875 | 190,5 x 98,4 | 1 | Non |
| Enveloppe Chou n° 3 | 4,7 x 9,2 | 120,0 x 235,0 | 1 | Non |
| Enveloppe Chou n° 4 | 3,5 x 8,1 | 90,0 x 205,0 | 1 | Non |
| Format personnalisé | 3,6-8,5 x 5,8-14,0 | 92,0-216,0 x 148,0 -356,0 | 1 ^{*3} | Oui ^{*4} |
| Format personnalisé | 3,6-8,5 x 5,8-11,7 | 92,0-216,0 x 148,0 -297,0 | 2 | Oui ^{*5} |

*1 Bac1: alimentation manuelle
Bac 3 : chargeur papier de 500 feuilles (en option)

*2 Epson AcuLaser C3900DN uniquement

*3 Bien que la largeur maximale prise en charge soit de 216,0mm (8,5pouces), il est possible de charger l'enveloppeDL (largeur: 220mm ou 8,7pouces).

*4 Le format minimal possible pour une impression recto-verso est 182,0x254,0mm (7,2x10,0pouces).
Le format maximal possible pour une impression recto-verso est 216,0 x 356,0 mm (8,5 x 14,0 pouces).

*5 Le format minimal possible pour une impression recto-verso est 182,0x254,0mm (7,2x10,0pouces).
Le format maximal possible pour une impression recto-verso est 216,0 x 297,0 mm (8,5 x 11,69 pouces).

Remarque :

Pour des formats personnalisés, utilisez le pilote de l'imprimante pour définir les paramètres selon les plages indiquées dans le tableau précédent.

Types de support

Rangez les supports sur une surface plane et régulière et dans leur emballage d'origine tant que vous n'êtes pas prêt à les utiliser.

Remarque :

Avant d'imprimer une grande quantité de copies sur du papier spécial (autre que du papier standard), faites des essais afin de vérifier la qualité de l'impression.

Papier standard (Papier recyclé)

| | | |
|--------------------|---|--|
| Capacité | Bac 1 | Jusqu'à 100 feuilles, suivant leur grammage. |
| | Bac 2 | Jusqu'à 250 feuilles, suivant leur grammage. |
| | Bac 3 | Jusqu'à 500 feuilles, suivant leur grammage. |
| Orientation | Bac 1 | Face vers le bas |
| | Bac 2/3 | Face vers le haut |
| Pilote | Plain Paper (Papier standard) (Recycled (Recyclé)) | |
| Grammage | 60–90 g/m ² | |
| Recto-verso | Pour les formats pris en charge, voir « Supports d'impression » à la page 63. | |

Utilisez un papier standard présentant les caractéristiques suivantes :

Adapté pour les imprimantes laser sur papier standard, tel que du papier standard ou recyclé d'usage courant

NE PAS UTILISER des supports présentant les caractéristiques suivantes :

- Supports traités en surface (tels que le papier carbone et le papier couleur ayant subi un traitement)
- Supports non homologués pour transfert thermique (tels que le papier pour laminage ou pelliculage)
- Supports pour transfert à froid
- Supports pour presse d'imprimerie
- Supports spécifiques pour imprimantes jet d'encre (tels que le papier ultra-fin, le papier brillant, le film brillant et les cartes postales)
- Papier préimprimé

- Papier préimprimé sur une imprimante jet d'encre
- Papier préimprimé sur une imprimante laser ou un copieur monochrome/couleur
- Papier préimprimé sur une imprimante à transfert thermique
- Papier préimprimé sur tout autre système d'impression ou de télécopie
- Supports poussiéreux
- Papier mouillé (ou humide)

Remarque :

Stockez les supports dans un local où l'humidité relative se situe entre 35 % et 85 %. Le toner n'adhère pas sur les supports humides.

- Papier pelliculé
- Papier adhésif
- Papier plié, froissé, gondolé, gaufré, déformé ou plissé
- Papier ajouré, perforé ou déchiré
- Papier trop souple, trop rigide, trop fibreux
- Papier avec recto et verso de texture (rugosité) différente
- Papier trop fin ou trop épais
- Supports chargés d'électricité statique
- Supports laminés ou dorés ; trop lumineux
- Supports ne résistant pas à la température de fixation (205° C [401° F])
- Papier non découpé à angles droits ou de dimensions non uniformes
- Papier avec colle, adhésif, trombones, agrafes, attaches, crochets ou œillets
- Papier acide
- Et tout autre support non homologué

Support épais

Est qualifié d'épais tout support dont le grammage est supérieur à 90 g/m². Vous pouvez imprimer en continu sur un support épais. Toutefois, des bourrages risquent de se produire suivant la qualité du support utilisé et votre environnement d'impression. En cas de problème, arrêtez l'impression en continu et n'imprimez que sur une seule feuille à la fois.

| | | |
|--------------------|---|--|
| Capacité | Bac 1/2 | Jusqu'à 20 feuilles, suivant leur grammage |
| | Bac 3 | Non pris en charge |
| Orientation | Bac 1 | Face vers le bas |
| | Bac 2 | Face vers le haut |
| Pilote | Thick 1 (Epais 1) (91–150 g/m ²) Thick 2 (Epais 2) (151–210 g/m ²) | |
| Grammage | 91–210 g/m ² | |
| Recto-verso | Pour les formats pris en charge, voir « Spécifications » à la page 63. | |

Enveloppe

N'imprimez que sur le devant (côté adresse) de l'enveloppe, en évitant les zones de triple épaisseur (devant+dos+rabat) où l'impression risque de se faire avec des lacunes ou des caractères estompés.

Vous pouvez imprimer en continu sur des enveloppes. Toutefois, des bourrages risquent de se produire suivant la qualité du support utilisé et votre environnement d'impression. En cas de problème, arrêtez l'impression en continu et n'imprimez que sur une seule enveloppe à la fois.

| | | |
|--------------------|----------------------|--|
| Capacité | Bac 1 | Jusqu'à 10 feuilles, suivant leur grammage |
| | Bac 2/3 | Non pris en charge |
| Orientation | Face vers le bas | |
| Pilote | Envelope (Enveloppe) | |
| Recto-verso | Non pris en charge | |

Utilisez des enveloppes présentant les caractéristiques suivantes :

- Courantes pour imprimantes laser, avec fermeture en diagonale, pliures et bords francs, et rabats pré-encollés ordinaires

Remarque :

Les enveloppes à rabats gommés risquent de se coller en passant dans les rouleaux chauffants de l'imprimante. Il vaut donc mieux utiliser des enveloppes à rabats enduits de colle émulsionnée.

- Homologuées pour l'impression laser
- Sèches

NE PAS UTILISER des enveloppes présentant les caractéristiques suivantes :

- Avec rabats auto-collants
- Avec rubans adhésifs, attaches métalliques, clips ou bandes amovibles
- Avec fenêtres transparentes
- De texture trop grossière
- Composées de matière fusible, volatile, décolorante ou émettrice de vapeurs nocives
- Pré-scellées

Étiquettes

Une planche d'étiquettes se compose d'une face recto (surface imprimable) et d'une face verso adhésive, recouverte d'une feuille de protection :

- La face recto doit répondre aux spécifications Papier standard.
- La face recto doit entièrement recouvrir la feuille de protection, et ne doit laisser apparaître aucune substance adhésive en surface.

Vous pouvez imprimer sur des planches d'étiquettes en continu. Toutefois, des bourrages risquent de se produire suivant la qualité du support utilisé et votre environnement d'impression. En cas de problème, arrêtez l'impression en continu et n'imprimez que sur une seule planche à la fois.

Pour plus d'informations concernant l'impression d'étiquettes, consultez la documentation de votre application.

| | | |
|--------------------|----------------|--|
| Capacité | Bac 1/2 | Jusqu'à 20 feuilles, suivant leur grammage |
| | Bac 3 | Non pris en charge |
| Orientation | Bac 1 | Face vers le bas |
| | Bac 2 | Face vers le haut |

| | |
|--------------------|--------------------|
| Pilote | Label (Etiquette) |
| Recto-verso | Non pris en charge |

Utilisez des planches d'étiquettes présentant les caractéristiques suivantes :

- Recommandées pour les imprimantes laser

NE PAS UTILISER des planches d'étiquettes présentant les caractéristiques suivantes :

- Comportant des étiquettes facilement détachables ou des feuilles de protection décollées
- Laissant apparaître toute substance adhésive en surface

Remarque :

Les étiquettes de ces planches peuvent rester collées dans l'unité de fixation et provoquer des bourrages.

- Pré-découpées ou perforées

Ne pas utiliser

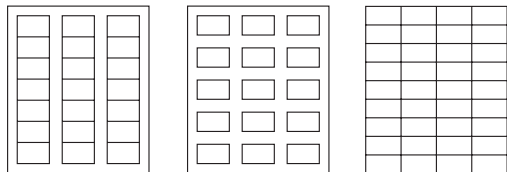


Planche avec feuille de protection silico-née

Utiliser

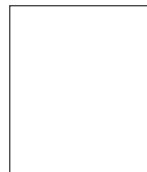


Planche pleine page (sans prédécoupe)

Papier en-tête

Vous pouvez imprimer en continu sur du papier en-tête. Toutefois, des bourrages risquent de se produire suivant la qualité du support utilisé et votre environnement d'impression. En cas de problème, arrêtez l'impression en continu et n'imprimez que sur une seule feuille à la fois.

Songez à imprimer d'abord vos données sur du papier standard pour vérifier la mise en page.

| | | |
|-----------------|----------------|---|
| Capacité | Bac 1/2 | Jusqu'à 20 feuilles, suivant leur taille et leur grammage |
| | Bac 3 | Non pris en charge |

| | | |
|--------------------|-----------------------------|-------------------|
| Orientation | Bac 1 | Face vers le bas |
| | Bac 2 | Face vers le haut |
| Pilote | Letterhead (Papier en-tête) | |
| Recto-verso | Non pris en charge | |

Carte postale

Vous pouvez imprimer en continu sur des cartes postales. Toutefois, des bourrages risquent de se produire suivant la qualité du support utilisé et votre environnement d'impression. En cas de problème, arrêtez l'impression en continu et n'imprimez que sur une seule carte à la fois.

Songez à imprimer d'abord vos données sur du papier standard pour vérifier la mise en page.

| | | |
|--------------------|--------------------|--|
| Capacité | Bac 1/2 | Jusqu'à 20 feuilles, suivant leur grammage |
| | Bac 3 | Non pris en charge |
| Orientation | Bac 1 | Face vers le bas |
| | Bac 2 | Face vers le haut |
| Pilote | Postcard (Carte) | |
| Recto-verso | Non pris en charge | |

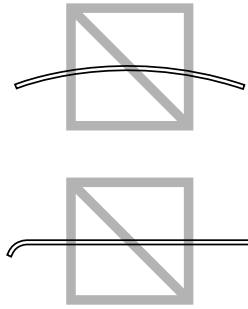
Utilisez des cartes présentant les caractéristiques suivantes :

- Homologuées pour l'impression laser

NE PAS UTILISER des cartes présentant les caractéristiques suivantes :

- Couchées
- Conçues pour imprimantes jet d'encre
- Pré-coupées ou perforées
- Pré-imprimées ou multicolores

- ❑ Courbées ou pliées



Remarque :

Si les cartes sont déformées, aplanissez-les avant de les charger dans le bac.



Support brillant

Vous pouvez imprimer en continu sur un support brillant. Toutefois, des bourrages risquent de se produire suivant la qualité du support utilisé et votre environnement d'impression. En cas de problème, arrêtez l'impression en continu et n'imprimez que sur une seule feuille à la fois.

Pour plus d'informations concernant l'impression sur un support brillant, consultez la documentation de votre application.

| | | |
|--------------------|--|--|
| Capacité | Bac 1/2 | Jusqu'à 20 feuilles, suivant leur grammage |
| | Bac 3 | Non pris en charge |
| Orientation | Bac 1 | Face vers le bas |
| | Bac 2 | Face vers le haut |
| Pilote | Glossy1 (Brillant1) (100–128 g/m ²) Glossy2 (Brillant2) (129–158 g/m ²) | |
| Grammage | 100–158 g/m ² | |
| Recto-verso | Non pris en charge | |

Recto seul

N'imprimez qu'au recto.

Vous pouvez imprimer en continu sur un support recto seul uniquement. Toutefois, des bourrages risquent de se produire suivant la qualité du support utilisé et votre environnement d'impression. En cas de problème, arrêtez l'impression en continu et n'imprimez que sur une seule feuille à la fois.

Sélectionnez ce paramètre lorsqu'un support qui ne doit pas être utilisé en mode recto-verso (par exemple, si un côté est déjà imprimé) est chargé comme papier standard avec un grammage de 60–90 g/m².

| | | |
|--------------------|---|--|
| Capacité | Bac 1 | Jusqu'à 100 feuilles, suivant leur grammage. |
| | Bac 2 | Jusqu'à 250 feuilles, suivant leur grammage. |
| | Bac 3 | Jusqu'à 500 feuilles, suivant leur grammage. |
| Orientation | Bac 1 | Face vers le bas |
| | Bac 2/3 | Face vers le haut |
| Pilote | Single Side Only (Recto seul) (60–90 g/m ²) | |
| Grammage | 60–90 g/m ² | |
| Recto-verso | Non pris en charge | |

Utilisez un papier recto seul présentant les caractéristiques suivantes :

- Adapté pour les imprimantes laser sur papier standard, tel que du papier standard ou recyclé d'usage courant
- Papier standard préimprimé sur la même imprimante

NE PAS UTILISER un papier recto seul présentant les caractéristiques suivantes :

- Non homologué pour une utilisation comme papier standard

Papier spécial

Vous pouvez imprimer en continu sur du papier spécial. Toutefois, des bourrages risquent de se produire suivant la qualité du support utilisé et votre environnement d'impression. En cas de problème, arrêtez l'impression en continu et n'imprimez que sur une seule feuille à la fois.

Sélectionnez ce paramètre lorsqu'un papier spécial, par exemple un papier de haute qualité, est chargé comme papier standard avec un grammage de 60–90 g/m².

| | | |
|--------------------|---|--|
| Capacité | Bac 1 | Jusqu'à 100 feuilles, suivant leur grammage. |
| | Bac 2 | Jusqu'à 250 feuilles, suivant leur grammage. |
| | Bac 3 | Jusqu'à 500 feuilles, suivant leur grammage. |
| Orientation | Bac 1 | Face vers le bas |
| | Bac 2/3 | Face vers le haut |
| Pilote | Special Paper (Papier spécial) (60–90 g/m ²) | |
| Grammage | 60–90 g/m ² | |
| Recto-verso | Pour les formats pris en charge, voir « Supports d'impression » à la page 63. | |

Utilisez un papier spécial présentant les caractéristiques suivantes :

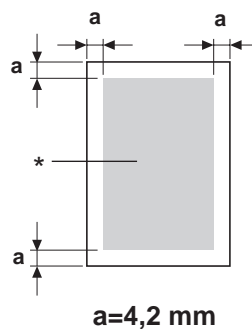
- Homologué pour l'impression laser

NE PAS UTILISER un papier spécial présentant les caractéristiques suivantes :

- Non homologué pour une utilisation comme papier standard

Surface imprimable

Sur tous les formats de support, la surface imprimable se situe à 4,2 mm maximum des bords.



* Surface imprimable

Chaque format de support a sa propre surface imprimable (surface maximum dans laquelle l'impression peut se faire clairement et sans distorsion).

Cette surface est limitée par deux contraintes matérielles (la taille physique du support et les marges requises par l'imprimante) et logicielles (espace mémoire disponible pour le tampon de cadres pleine page). La surface imprimable garantie pour tous les formats de support correspond à la taille de la page moins une marge de 4,2 mm tout autour de la feuille.

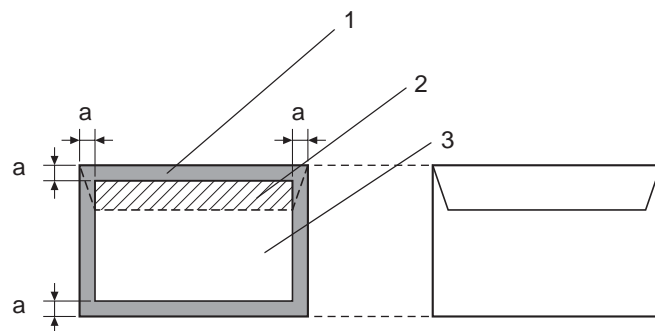
Remarque :

Quand vous imprimez en couleur sur un support de format Legal, les limites suivantes s'appliquent.

- La surface imprimable se situe à 347,2 mm à partir du bord avant de la feuille (il existe toutefois une zone non imprimable de 4,2 mm maximum à partir du bord avant de la feuille).
- La marge inférieure est de 14,2 mm.

Enveloppes

Il est seulement possible d'imprimer au recto des enveloppes (côté adresse du destinataire). De plus, la qualité d'impression sur le recto ne peut être garantie dans la zone où se situe le rabat au verso. L'emplacement de cette zone dépend du type d'enveloppe.



a=4,2 mm

Recto
(imprimable)

Verso
(non imprimable)

1. Surface non imprimable
2. Surface non imprimable non garantie
3. Surface imprimable garantie

Remarque :

L'orientation d'impression des enveloppes est définie par l'application.

Marges de pages

Les marges sont définies dans votre application. Certaines applications vous permettent de personnaliser des tailles et marges de page, d'autres n'offrent qu'un choix de tailles et marges standard. Avec un format standard, une perte partielle de l'image est possible (due aux contraintes de la zone imprimable). Si vous pouvez personnaliser le format de page dans votre application, utilisez les dimensions indiquées pour la surface imprimable afin d'obtenir les meilleurs résultats.

Chargement des supports**Remarque :**

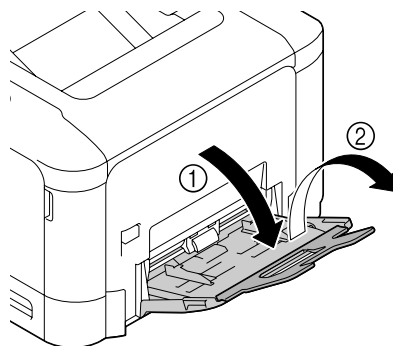
- ❑ Ne mélangez jamais des supports de différents types et formats, car cela risque de provoquer des bourrages ou des problèmes.
- ❑ Les bords des supports sont coupants et peuvent entraîner des blessures.

Quand vous rechargez du support, retirez tout d'abord les feuilles restantes dans le bac. Joignez-les à celles que vous chargez, égalisez les bords du paquet et placez-le dans le bac.

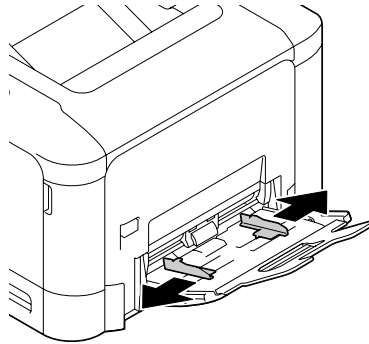
Bac 1 (alimentation manuelle)

Pour des informations détaillées sur les types et formats de support pouvant être imprimés à partir du Bac 1, voir « Supports d'impression » à la page 63.

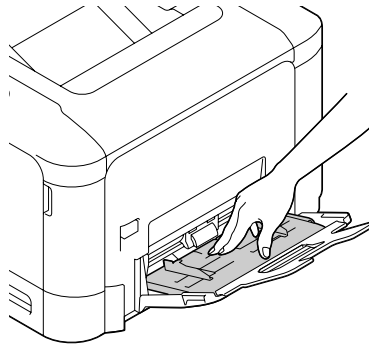
1. Ouvrez le Bac 1.



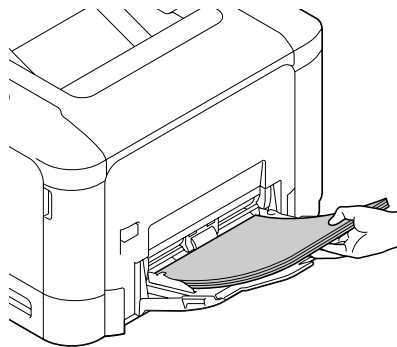
2. Faites glisser les guides papier afin de les écarter.



3. Appuyez au centre du volet de compression des feuilles jusqu'à ce que les onglets de verrouillage (blancs) à gauche et à droite s'enclenchent.

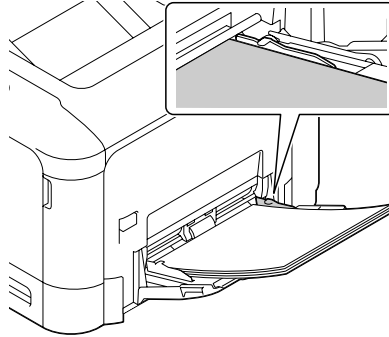


4. Chargez le papier dans le bac, face imprimable vers le bas.

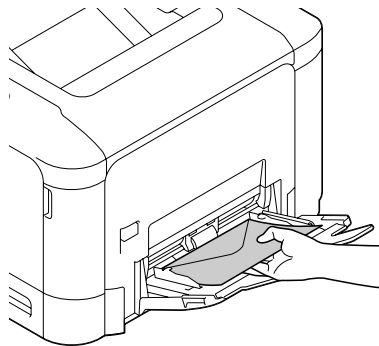


Remarque :

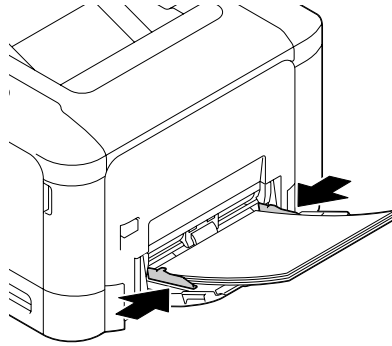
- ❑ *Ne chargez pas des feuilles au-dessus de la limite de remplissage. Ce bac ne peut contenir que 100 feuilles de papier standard (80 g/m² [22 lb]) à la fois.*



- ❑ *Pour connaître la capacité maximale de chaque source de papier, voir « Types de support » à la page 65.*
- ❑ *Avant de charger des enveloppes, aplatissez-les pour chasser l'air qui s'y trouve et faire en sorte que les rabats soient bien pliés ; sinon, les enveloppes peuvent se froisser ou provoquer un bourrage.*
- ❑ *Les enveloppes avec rabat sur le bord long (Enveloppe C6, Enveloppe Monarch et Enveloppe DL) doivent être chargées avec les rabats orientés vers le haut.*



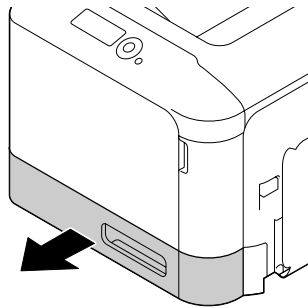
5. Faites glisser les guides papier contre les bords du papier.



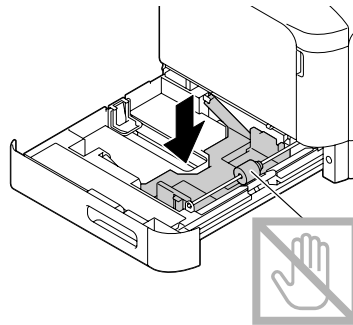
6. Sélectionnez PAPER MENU (MENU PAPIER)/PAPER SOURCE (SOURCE PAPIER)/TRAY 1 (BAC 1)/PAPER SIZE (FORMAT PAPIER) et PAPER TYPE (TYPE DE PAPIER) dans le menu de configuration, puis définissez les paramètres de format et de type de support appropriés. Voir aussi « PAPER MENU (MENU PAPIER) » à la page 33.

Bac 2

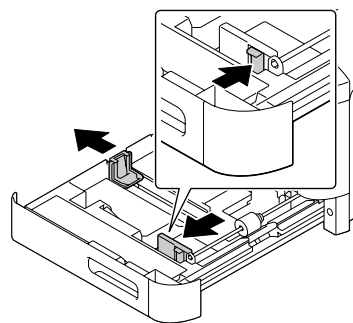
1. Ouvrez le Bac 2.



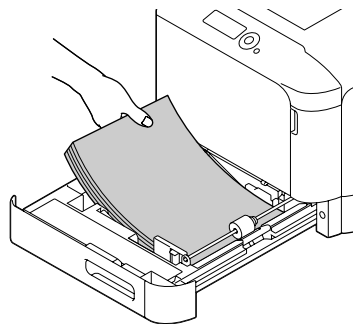
2. Appuyez sur le volet de compression du support afin de le verrouiller en position basse.



3. Faites glisser les guides papier afin de les écarter.

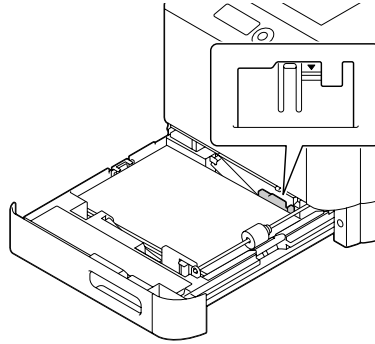


4. Chargez le papier dans le bac, face imprimable vers le haut.



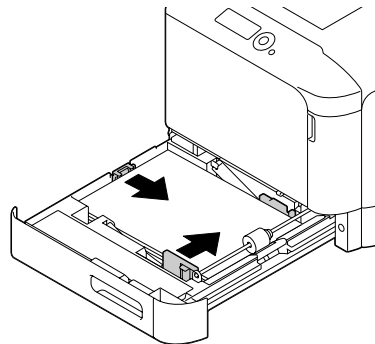
Remarque :

- ❑ Ne chargez pas des feuilles au-delà de la limite ▼. Ce bac ne peut contenir que 250 feuilles de papier standard (80 g/m² [22 lb]) à la fois.

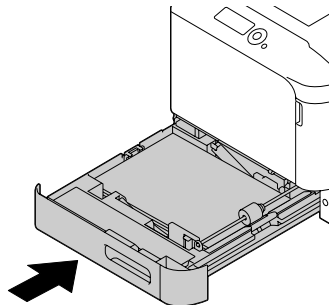


- ❑ Pour connaître la capacité maximale de chaque source de papier, voir « Types de support » à la page 65.

5. Faites glisser les guides papier contre les bords du papier.



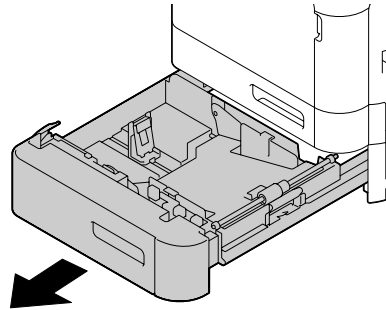
6. Fermez le Bac 2.



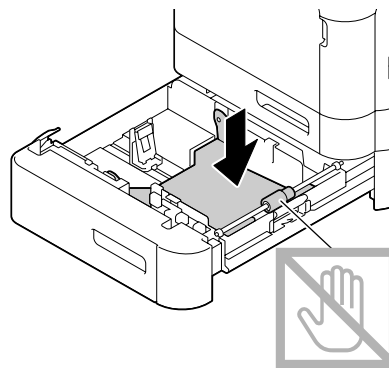
7. Sélectionnez PAPER MENU (MENU PAPIER)/PAPER SOURCE (SOURCE PAPIER)/TRAY 2 (BAC 2)/PAPER SIZE (FORMAT PAPIER) et PAPER TYPE (TYPE DE PAPIER) dans le menu de configuration, puis définissez les paramètres de format et de type de support appropriés. Voir aussi « PAPER MENU (MENU PAPIER) » à la page 33.

Chargeur papier de 500 feuilles (Bac 3)

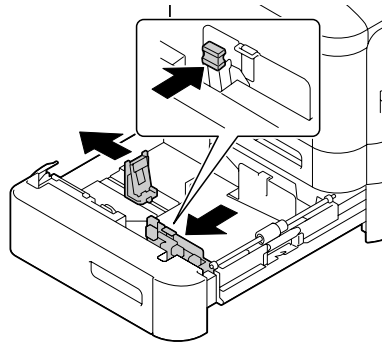
1. Ouvrez le Bac 3.



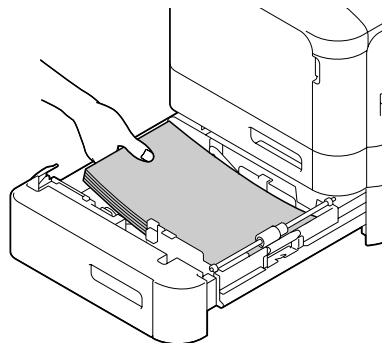
2. Appuyez sur le volet de compression du support afin de le verrouiller en place.



3. Faites glisser les guides papier afin de les écarter.

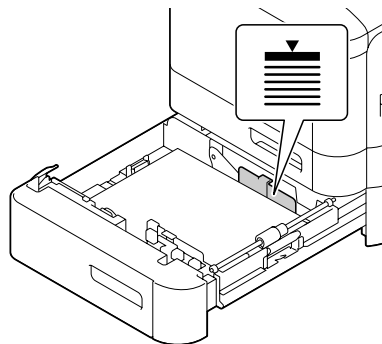


4. Chargez le papier dans le bac, face imprimable vers le haut.

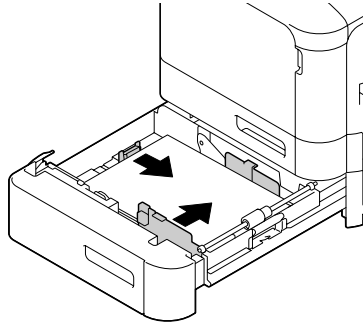


Remarque :

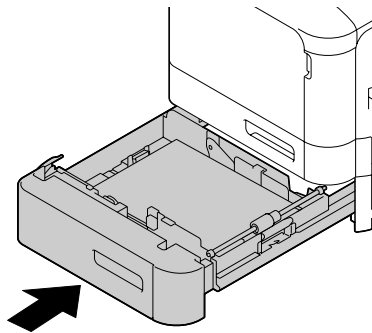
Ne chargez pas des feuilles au-delà de la limite ▼. Ce bac ne peut contenir que 500 feuilles de papier standard (80 g/m² [22 lb]) à la fois.



- Faites glisser les guides papier contre les bords du papier.



- Fermez le Bac 3.



- Sélectionnez PAPER MENU (MENU PAPIER)/PAPER SOURCE (SOURCE PAPIER)/TRAY 3 (BAC 3)/PAPER TYPE (TYPE DE PAPIER) dans le menu de configuration, puis définissez le paramètre de type de support approprié. Voir aussi « PAPER MENU (MENU PAPIER) » à la page 33.

Recto-verso (Epson AcuLaser C3900DN uniquement)

Pour imprimer en recto-verso (sur les 2 côtés d'une feuille), choisissez un papier très opaque. L'opacité fait référence à l'efficacité avec laquelle le papier masque d'un côté de la feuille, ce qui est imprimé sur l'autre. Si le papier est de faible opacité (translucide), ce qui est imprimé sur un côté transparaîtra sur l'autre. Vérifiez les données de marges dans votre application. Pour vérifier la qualité de l'opacité, n'imprimez tout d'abord que quelques feuilles.

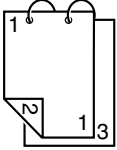
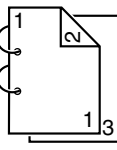
Remarque :

L'impression recto-verso ne peut se faire que sur du papier standard, du papier spécial et du papier épais de 60 à 210 g/m². Voir « Supports d'impression » à la page 63.

L'impression recto-verso sur enveloppes, papier en-tête, étiquettes, cartes postales, support brillant ou papier recto seul n'est pas prise en charge.

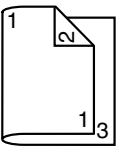
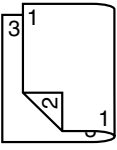
Dans votre application, vérifiez la manière de définir les marges pour une impression recto-verso.

Les paramètres de Binding Position (Position de reliure) suivants sont disponibles.

| | |
|---|---|
|  | <p>Si vous sélectionnez l'option «Short Edge (Bord court)», les pages sont imprimées de manière à être tournées de bas en haut.</p> |
|  | <p>Si vous sélectionnez l'option «Long Edge (Bord long)», les pages sont imprimées de manière à être tournées de droite à gauche.</p> |

En outre, si l'option «N-up (Miniatures)» a été définie avec la valeur «Booklet (Livret)», une impression recto-verso automatique est exécutée.

Les paramètres de Order (Ordre) suivants sont disponibles lorsque «Booklet (Livret)» est sélectionné.

| | |
|---|--|
|  | <p>Si vous sélectionnez l'option «Left Binding (Reliure gauche)», les pages imprimées peuvent être pliées pour former un livret relié à gauche.</p> |
|  | <p>Si vous sélectionnez l'option «Right Binding (Reliure droite)», les pages imprimées peuvent être pliées pour former un livret relié à droite.</p> |

1. Chargez du papier standard dans le bac.
2. Dans le pilote de l'imprimante, sélectionnez l'impression recto-verso (onglet Layout (Mise en page) sous Windows).

3. Cliquez sur **OK**.

Remarque :

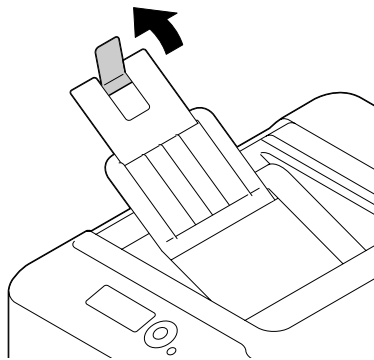
En recto-verso automatique, la page verso s'imprime avant la page recto.

Bac de sortie

Tous les supports imprimés arrivent dans le bac de sortie au sommet de l'imprimante, face vers le bas. Ce bac peut contenir environ 200 feuilles (A4/Letter) de 80 g/m².

Remarque :

- Ne laissez pas les imprimés s'accumuler dans le bac de sortie, car cela risque de provoquer des bourrages, de recourber excessivement le papier et de créer de l'électricité statique.
- Si le papier se courbe et tombe du bac de sortie lors de l'impression sur du papier épais, poussez la butée du papier au bout de la rallonge du bac avant l'impression.



Stockage des supports

- Rangez les supports sur une surface plane et régulière et dans leur emballage d'origine tant que vous n'êtes pas prêt à les utiliser.

Des supports stockés depuis trop longtemps hors de leur emballage risquent d'être trop secs et de provoquer des bourrages.

- Remplacez les supports que vous avez déballés dans leur emballage d'origine, et stockez-les sur une surface plane, dans un local frais et à l'abri de la lumière.
- Rangez-les en les préservant d'une trop grande humidité, des rayons du soleil, d'une chaleur excessive (supérieure à 35° C [95° F]) et de la poussière.

- ❑ Evitez d'entreposer les supports au contact d'autres objets ou de les ranger à la verticale.

Avant d'utiliser des supports qui ont été stockés, effectuez un essai d'impression et vérifiez la qualité du résultat.

Chapitre 6

Remplacement des consommables et des pièces d'entretien

Remarque :

- ❑ La non-observation des instructions décrites dans ce manuel peut entraîner l'annulation de votre garantie.
- ❑ Lorsqu'un message d'erreur (REPLACE TONER (REPLAC. TONER), FUSER UNIT (UNITE FIXATION) END OF LIFE (FIN VIE), etc.) s'affiche, imprimez la page de configuration, puis vérifiez l'état des autres consommables. Pour plus d'informations sur les messages d'erreur, voir « Messages d'erreur (avertissement) » à la page 151. Pour plus d'informations sur l'impression de la page de configuration, voir « Impression d'une page de configuration » à la page 123.

A propos des cartouches de toner

Votre imprimante utilise quatre cartouches de toner : noir, jaune, magenta et cyan. Manipulez les cartouches de toner avec précaution, en évitant de renverser du toner sur vous ou dans l'imprimante.

Remarque :

- ❑ Lors du remplacement des cartouches de toner, n'installez que des cartouches neuves. Si vous installez une cartouche qui a déjà servi, le toner restant peut ne pas s'afficher correctement.
- ❑ N'ouvrez pas la cartouche de toner sans raison. Si vous renversez du toner, évitez de l'inhaler ou de le laisser entrer en contact avec votre peau.
- ❑ Si vous renversez du toner sur vos mains ou vêtements, lavez-les immédiatement à l'eau et au savon.
- ❑ Si vous inhalez du toner, allez dans une pièce bien aérée et gargarisez-vous soigneusement et abondamment avec de l'eau. Si certaines conditions telles que la toux apparaissent, faites-vous prodiguer des soins médicaux.
- ❑ Si vous recevez du toner dans les yeux, rincez-vous immédiatement à l'eau froide pendant au moins 15 minutes. Si l'irritation persiste, faites-vous prodiguer des soins médicaux.
- ❑ Si du toner pénètre dans votre bouche, rincez-la complètement, puis buvez 1 ou 2 verres d'eau. Si nécessaire, faites-vous prodiguer des soins médicaux.
- ❑ Stockez les cartouches de toner hors de la portée des enfants.

Remarque :

L'utilisation de cartouches de toner non authentiques peut provoquer des résultats instables. En outre, les dégâts imputables à l'utilisation de cartouches de toner non authentiques ne sont pas couverts par la garantie, même si ceux-ci ont lieu au cours de la période de garantie. (Bien que l'utilisation de cartouches de toner non authentiques n'engendre pas nécessairement des dégâts, nous vous recommandons vivement d'utiliser des cartouches de toner authentiques.)

| Type | N° de référence |
|---|-----------------|
| Cartouche de toner (jaune) | 0590 |
| Cartouche de toner (magenta) | 0591 |
| Cartouche de toner (cyan) | 0592 |
| Cartouche de toner (noir) | 0593 |
| Cartouche de toner double capacité (noir) | 0594 |

Remarque :

Pour une qualité et une vitesse optimales, utilisez uniquement les cartouches de toner Epson authentiques correspondant au type de votre machine.

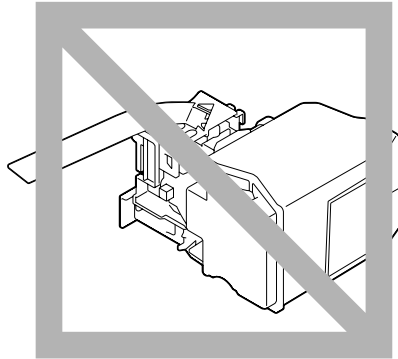
Stockez les cartouches de toner :

- Dans leur emballage d'origine tant que vous n'êtes pas prêt à les utiliser.
- Dans un local sec et frais, à l'abri du soleil (et de la chaleur).

La température de stockage ne doit pas dépasser 35° C (95° F) et l'humidité 85 % sans condensation. Quand vous déplacez une cartouche de toner d'un lieu frais en un lieu chaud et humide, une condensation peut se produire, nuisant à la qualité d'impression. Avant de l'utiliser, laissez-la s'adapter au nouvel environnement pendant environ une heure.

- Bien à plat.

Ne stockez pas les cartouches à l'envers, car le toner à l'intérieur risque de se tasser ou de se répartir inégalement.



- ❑ A l'abri de l'air marin et de vapeurs corrosives (d'aérosols par exemple).

Remplacement d'une cartouche de toner

Remarque :

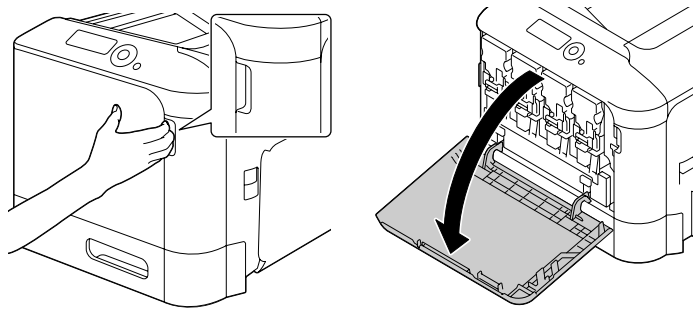
Lors du remplacement d'une cartouche, veillez à ne pas répandre du toner. Si cela se produit, essuyez-le aussitôt avec un chiffon doux et sec.

Si `TONER LOW (TONER BAS)` dans `SYS DEFAULT MENU (MENU DEFAUT SYS.)/ENABLE WARNING (ACTIVER ALERTES)` a la valeur `ON (ACTIF)`, le message `TONER LOW X (TONER BAS X)` («X» indiquant la couleur du toner) apparaît quand une cartouche ne contient plus beaucoup de toner. Pour remplacer cette cartouche, suivez les instructions ci-après.

Remarque :

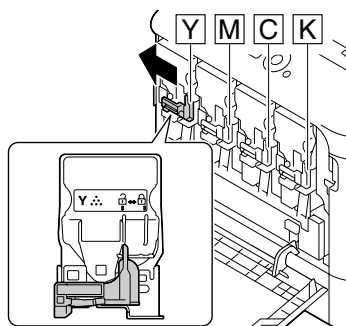
Si `TONER LOW (TONER BAS)` dans `SYS DEFAULT MENU (MENU DEFAUT SYS.)/ENABLE WARNING (ACTIVER ALERTES)` a la valeur `OFF (DESACTIVE)`, il est conseillé de remplacer la cartouche de toner indiquée lorsque le message `REPLACE TONER X (REPLAC. TONER X)` s'affiche.

1. Ouvrez le capot avant de l'imprimante.

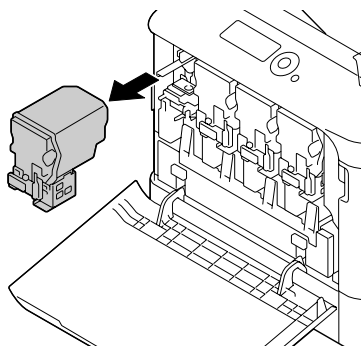


2. Tirez le levier frontal de la cartouche de toner de la couleur indiquée vers la gauche.

La procédure de remplacement pour la cartouche de toner est la même pour toutes les couleurs de toner (jaune : Y, magenta : M, cyan : C et noir : K). Les instructions suivantes décrivent la procédure de remplacement de la cartouche de toner pour la couleur jaune (Y).



3. Saisissez la cartouche de toner à remplacer par sa poignée et retirez-la de l'imprimante. Les instructions suivantes décrivent la procédure de remplacement de la cartouche de toner pour la couleur jaune (Y).

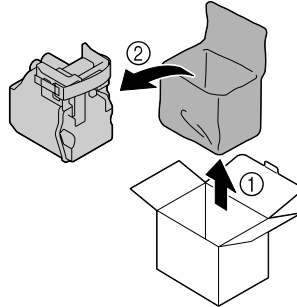


Remarque :

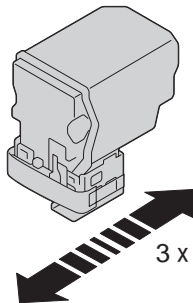
Mettez la cartouche de toner usagée au rebut conformément à la réglementation en vigueur. Elle ne doit pas être incinérée.

Pour plus d'informations, voir « A propos des cartouches de toner » à la page 87.

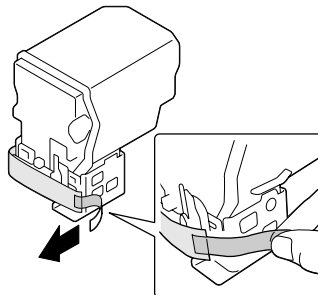
4. Vérifiez la couleur de la nouvelle cartouche de toner à installer.
5. Sortez la cartouche de son emballage.



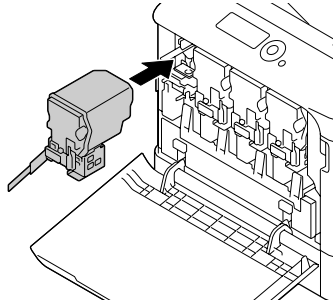
6. Secouez la cartouche pour répartir le toner à l'intérieur.



7. Retirez le ruban de protection du côté droit de la cartouche de toner.



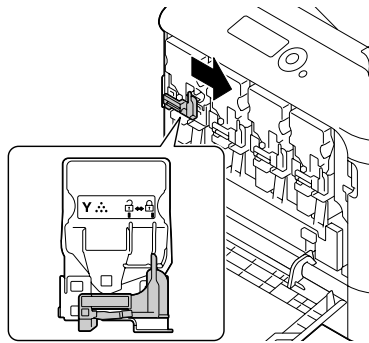
8. Assurez-vous que la cartouche de toner est de la même couleur que celle du compartiment dans l'imprimante, puis introduisez-la dans l'imprimante.



Remarque :

Insérez entièrement la cartouche de toner.

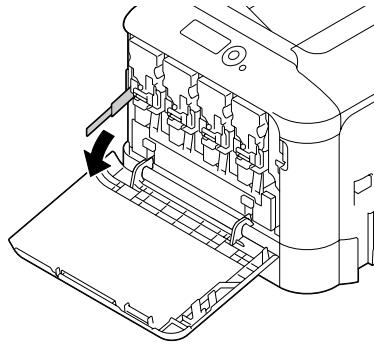
9. Tirez le levier vers la droite pour le verrouiller.



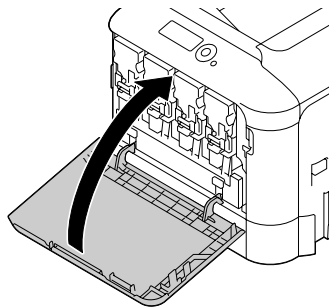
Remarque :

- Si le levier frontal n'est pas replacé exactement dans sa position initiale, le capot avant de l'imprimante ne peut pas être fermé.
- Si vous avez du mal à faire fonctionner le levier, poussez dessus.

10. Vérifiez que la cartouche de toner est bien installée, puis retirez son ruban de protection.

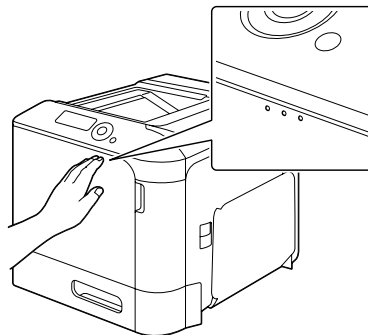


11. Fermez le capot avant.



Remarque :

Pour fermer le capot avant, appuyez sur la zone du capot présentant de petites bosses.

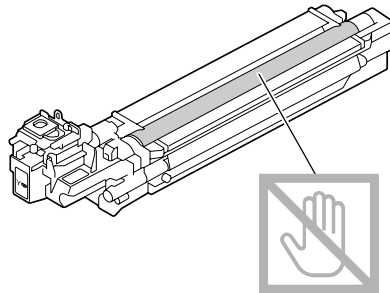


Remplacement d'un bloc photoconducteur

| Type | N° de référence |
|--------------------------------|-----------------|
| Bloc photoconducteur (jaune) | 1201 |
| Bloc photoconducteur (magenta) | 1202 |
| Bloc photoconducteur (cyan) | 1203 |
| Bloc photoconducteur (noir) | 1204 |

Remarque :

Ne touchez pas la surface du tambour OPC. Cela risque de nuire à la qualité d'image.

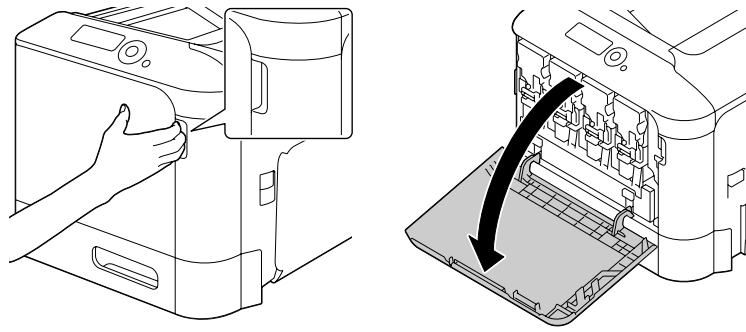


Si P/U LOW (NIV. U/P FAIBL) dans SYS DEFAULT MENU (MENU DEFAUT SYS.)/ENABLE WARNING (ACTIVER ALERTES) a la valeur ON (ACTIF), le message P/U LOW X (NIV. U/P FAIBL X) («X» indiquant la couleur du toner) apparaît quand un bloc photoconducteur est presque vide. Pour remplacer le bloc photoconducteur, suivez les instructions ci-après.

Remarque :

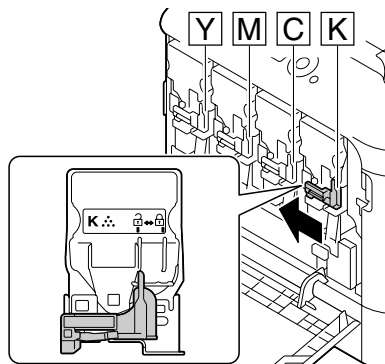
Il est conseillé de remplacer le bloc photoconducteur indiqué quand le message P/U LIFE X (VIE U/P X) s'affiche.

1. Dans l'écran des messages, vérifiez la couleur du bloc photoconducteur à remplacer.
2. Ouvrez le capot avant de l'imprimante.

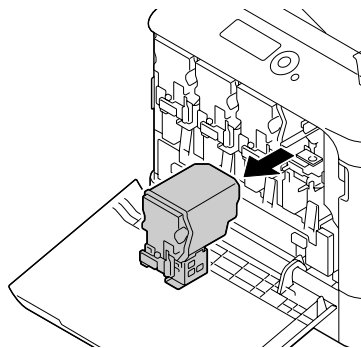


3. Tirez le levier frontal de la cartouche de toner de la couleur indiquée vers la gauche.

La procédure de remplacement pour le bloc photoconducteur est la même pour toutes les couleurs de toner (jaune : Y, magenta : M, cyan : C et noir : K). Les instructions suivantes décrivent la procédure de remplacement de la cartouche de toner noir (K).



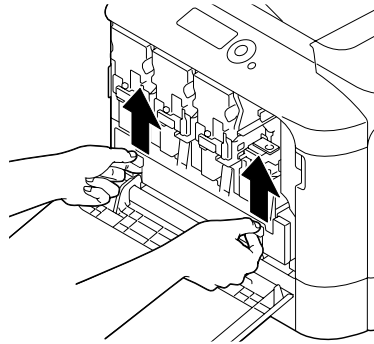
4. Saisissez la cartouche de toner à retirer par sa poignée et retirez-la de l'imprimante.



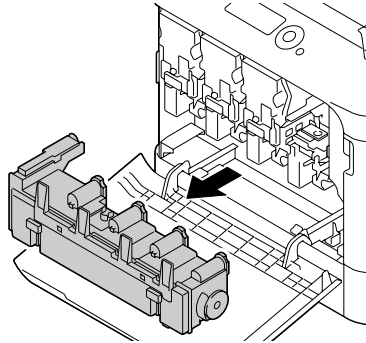
Remarque :

Du toner peut se répandre si vous inclinez la cartouche de toner que vous venez de retirer.

5. Soulevez le réceptacle de toner usagé pour le déverrouiller.



6. Saisissez le réceptacle de toner usagé par ses poignées gauche et droite, puis sortez-le doucement de l'imprimante.

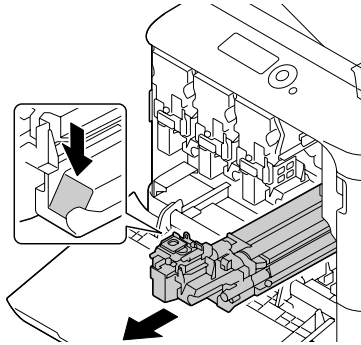


Remarque :

Du toner usagé peut se répandre si vous inclinez le réceptacle de toner usagé.

7. Appuyez sur l'endroit marqué « Push » sur le bloc photoconducteur à remplacer, puis faites-la glisser complètement hors de l'imprimante.

Les instructions suivantes décrivent la procédure de remplacement du bloc photoconducteur (noir).



Remarque :

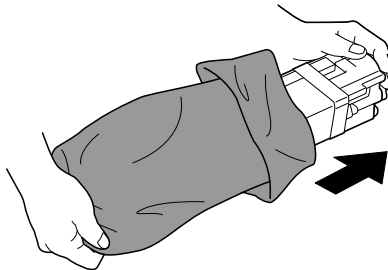
Mettez le bloc photoconducteur usagé au rebut conformément à la réglementation en vigueur. Il ne doit pas être incinéré.

8. Vérifiez la couleur du nouveau bloc photoconducteur à installer.

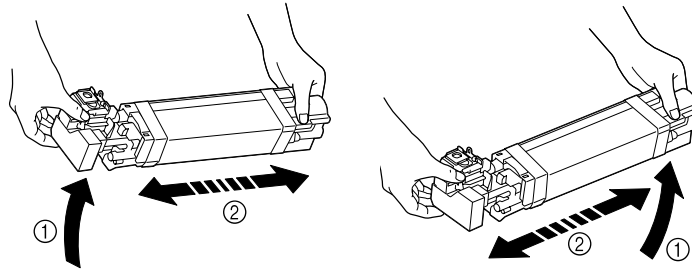
Remarque :

Pour éviter que du toner ne se répande, laissez le bloc photoconducteur dans son emballage jusqu'à l'étape 7.

9. Sortez le bloc photoconducteur de son emballage.



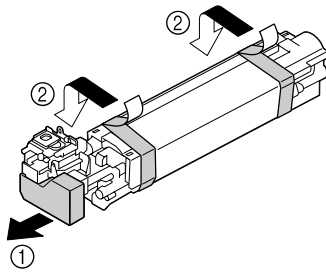
10. Tenez le bloc photoconducteur à deux mains, puis secouez-le deux fois de suite comme indiqué sur l'illustration.



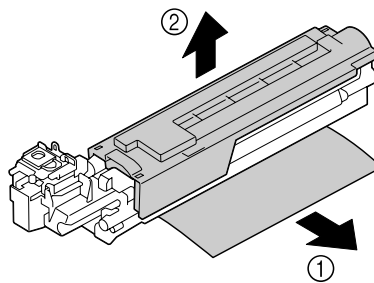
Remarque :

Ne saisissez pas la partie inférieure de l'emballage, car cela risquerait d'abîmer le bloc photoconducteur et de nuire à la qualité d'impression.

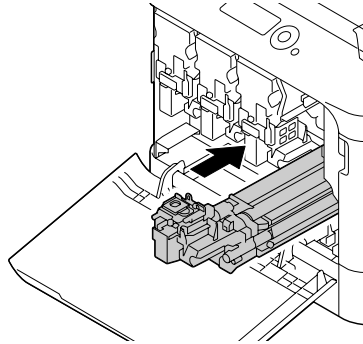
11. Retirez le couvercle protecteur du bloc photoconducteur.
Retirez tous les adhésifs d'emballage du bloc photoconducteur.



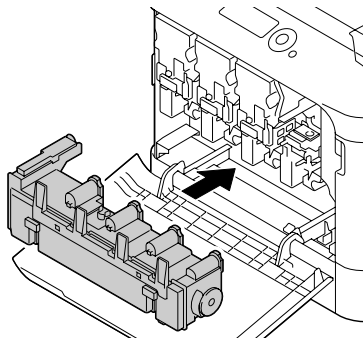
12. Retirez le papier du bloc photoconducteur.
Retirez le couvercle protecteur du bloc photoconducteur.



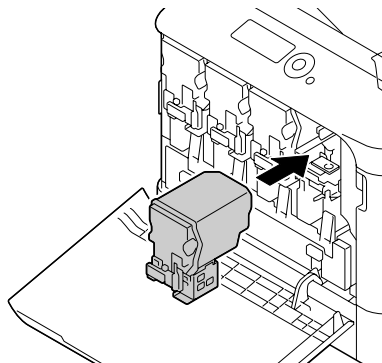
13. Assurez-vous que le nouveau bloc photoconducteur à installer est de la même couleur que celui du compartiment dans l'imprimante, puis introduisez-le dans l'imprimante jusqu'à ce qu'il s'enclenche.



14. Appuyez sur le réceptacle de toner usagé jusqu'à ce qu'il s'enclenche en position.



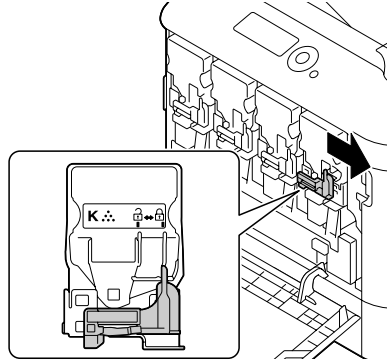
15. Assurez-vous que la cartouche de toner est de la même couleur que celle du compartiment dans l'imprimante, puis introduisez-la dans l'imprimante.



Remarque :

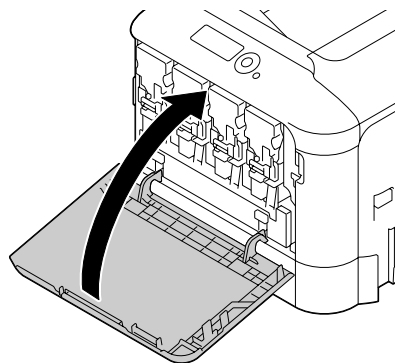
Insérez entièrement la cartouche de toner.

16. Tirez le levier vers la droite pour le verrouiller.

**Remarque :**

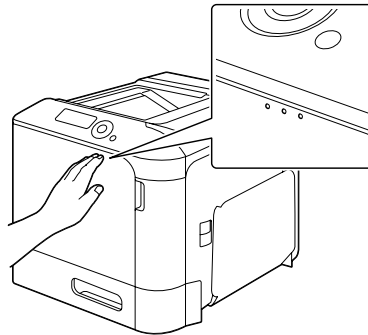
- Si le levier frontal n'est pas replacé exactement dans sa position initiale, le capot avant de l'imprimante ne peut pas être fermé.*
- Si vous avez du mal à faire fonctionner le levier, poussez dessus.*

17. Fermez le capot avant.



Remarque :

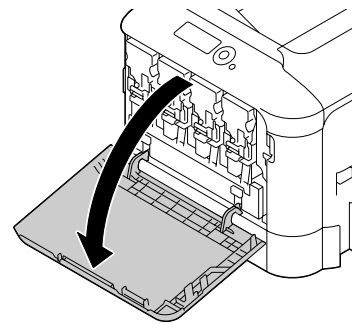
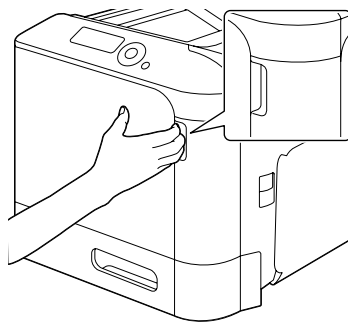
Pour fermer le capot avant, appuyez sur la zone du capot présentant de petites bosses.



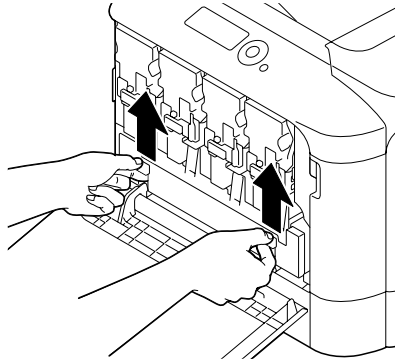
Remplacement du réceptacle de toner usagé (0595)

Quand le réceptacle de toner usagé est plein, le message WASTE TONER FULL (TONER USE PLEIN) / REPLACE BOTTLE (REPLACER KIT) apparaît dans l'écran des messages. L'imprimante s'arrête et ne redémarre pas tant que le réceptacle de toner usagé n'est pas remplacé.

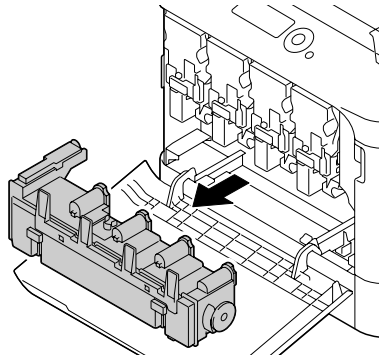
1. Ouvrez le capot avant de l'imprimante.



2. Soulevez le réceptacle de toner usagé pour le déverrouiller.



3. Saisissez le réceptacle de toner usagé par ses poignées gauche et droite, puis sortez-le doucement de l'imprimante.



Remarque :

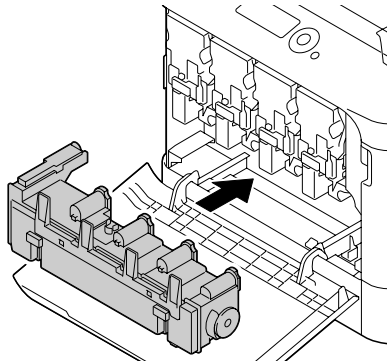
Du toner usagé peut se répandre si vous inclinez le réceptacle de toner usagé.

4. Sortez le nouveau réceptacle de toner usagé de son emballage. Mettez le réceptacle de toner usagé dans le sachet plastique fourni et placez-le dans la boîte d'emballage.

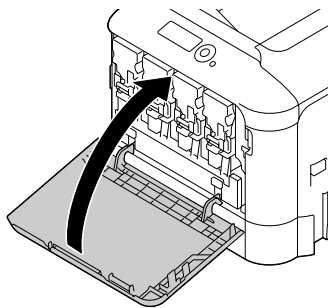
Remarque :

Mettez le réceptacle de toner usagé au rebut conformément à la réglementation en vigueur. Il ne doit pas être incinéré.

- Appuyez sur le réceptacle de toner usagé jusqu'à ce qu'il s'enclenche en position.

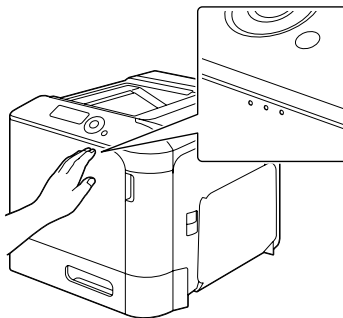


- Fermez le capot avant.



Remarque :

- ❑ *Pour fermer le capot avant, appuyez sur la zone du capot présentant de petites bosses.*



- ❑ *Si le réceptacle de toner usagé n'est pas complètement introduit, le capot avant ne peut pas être fermé.*

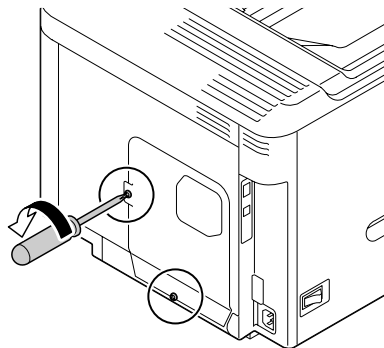
Remplacement de la pile auxiliaire

Lorsque la pile auxiliaire arrive en fin de vie, la date et l'heure de l'imprimante ne peuvent être mémorisées. Pour remplacer la pile auxiliaire, suivez la procédure ci-après.

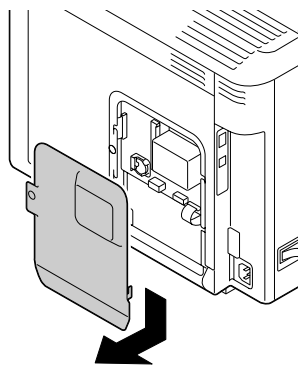
Remarque :

Utilisez exclusivement une pile ronde au lithium CR2032 de 3 V. Il est très important de protéger la carte contrôleur de l'imprimante et toutes cartes de circuits associées contre les décharges électrostatiques. Avant cette procédure de remplacement, reportez-vous à la consigne de précaution antistatique « Protection antistatique » à la page 157. En outre, prenez toujours les cartes de circuits imprimés par les bords uniquement.

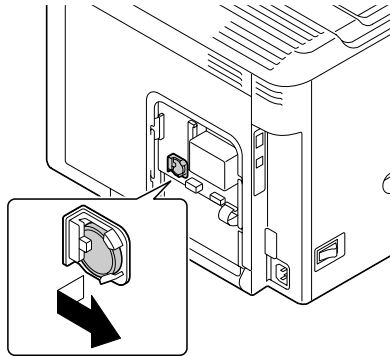
1. Eteignez l'imprimante et débranchez le cordon d'alimentation et les câbles d'interface.
2. A l'aide d'un tournevis, ôtez les deux vis.



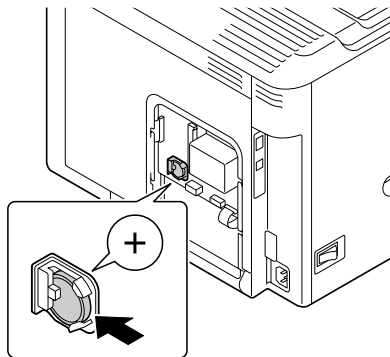
3. Faites glisser le panneau légèrement vers le bas et dégagez-le de l'imprimante en le soulevant.



4. Retirez la pile auxiliaire.



5. Introduisez une pile auxiliaire neuve.



Remarque :

- Quand vous insérez une nouvelle pile auxiliaire, assurez-vous de tourner le pôle positif (+) vers l'avant.
 - Il existe un risque d'explosion si la pile de remplacement est de type incorrect. Les piles usagées doivent être mises au rebut conformément à la réglementation en vigueur. Les piles auxiliaires ne doivent pas être incinérées.
6. Réinstallez le panneau et resserrez les deux vis.
 7. Rebranchez tous les câbles d'interface.
 8. Rebranchez le cordon d'alimentation et allumez l'imprimante.
 9. Utilisez l'option DATE dans le menu SYS DEFAULT MENU (MENU DEFAULT SYS.)/CLOCK (HORLOGE) pour définir la date, et l'option TIME (HEURE) dans le menu SYS DEFAULT MENU (MENU DEFAULT SYS.)/CLOCK (HORLOGE) pour définir l'heure.

Remplacement de l'unité de fixation (3041/3042)

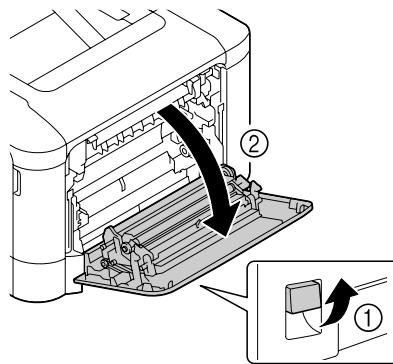
Quand l'unité de fixation arrive en fin de vie et doit être remplacée, le message FUSER UNIT (UNITÉ DE FIXATION)/END OF LIFE (FIN VIE) s'affiche. L'impression peut continuer en dépit de ce message, mais étant donné que la qualité d'impression est amoindrie, il est préférable de remplacer l'unité de fixation aussitôt.

1. Eteignez l'imprimante

Remarque :

Certaines pièces à l'intérieur de la machine atteignent des températures très élevées pouvant provoquer des brûlures. Après avoir éteint la machine, attendez environ 40 minutes après l'arrêt de la machine, puis vérifiez que la section de l'unité de fixation est à température ambiante avant de procéder au remplacement de l'unité de fixation.

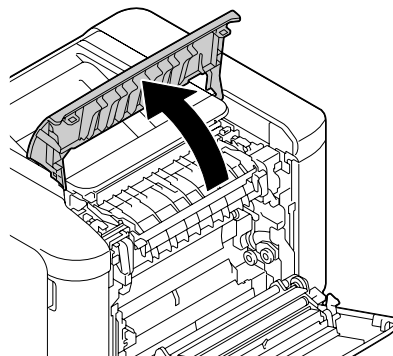
2. Soulevez le levier, puis ouvrez le capot latéral droit.



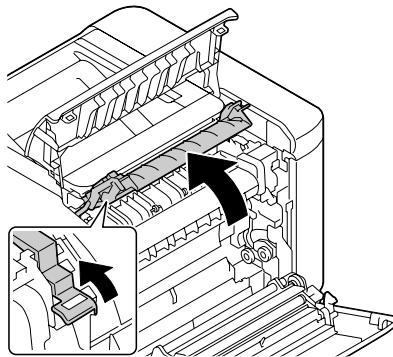
Remarque :

Avant d'ouvrir le capot latéral droit, repliez le Bac 1.

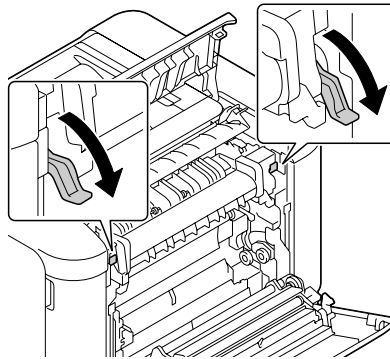
3. Ouvrez le capot d'éjection.



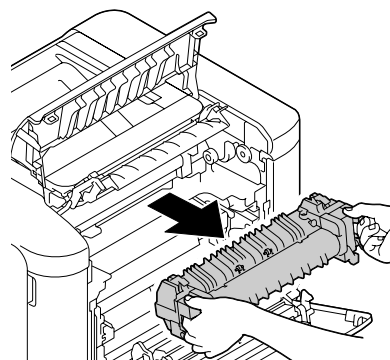
4. Ouvrez le capot de l'unité de fixation.



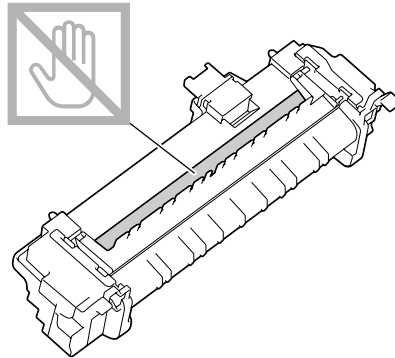
5. Abaissez les deux leviers.



6. Retirez l'unité de fixation.



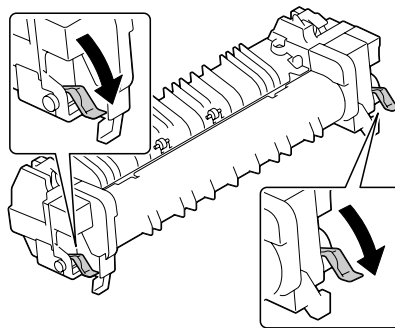
7. Préparez une nouvelle unité de fixation.



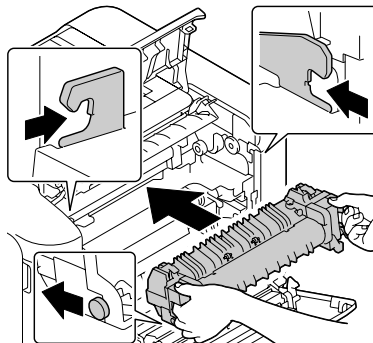
Remarque :

Veillez à ne pas toucher la surface du rouleau de fixation.

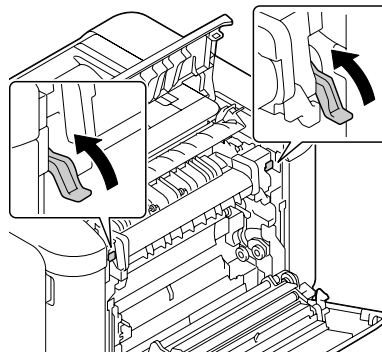
8. Abaissez les deux leviers d'une nouvelle unité de fixation.



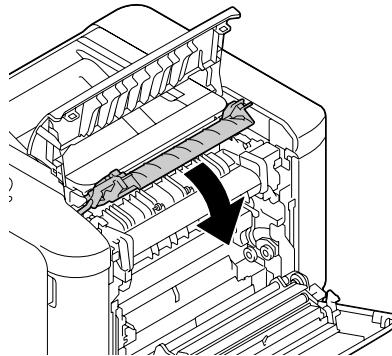
9. Insérez l'unité de fixation jusqu'à ce qu'elle s'enclenche en position.



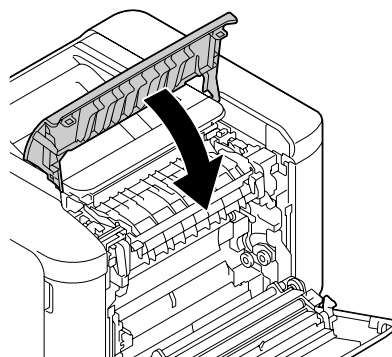
10. Soulevez les deux leviers.



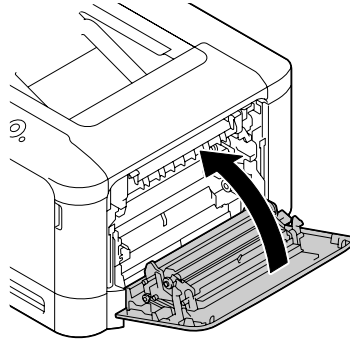
11. Fermez le capot de l'unité de fixation.



12. Fermez le capot d'éjection.



13. Fermez le capot latéral droit.



14. Réinitialisez le compteur dans le menu MAINTENANCE MENU (MENU MAINTENANCE)/SUPPLIES (FOURNITURES)/REPLACE (REEMPLACER)/FUSER UNIT (UNITE FIXATION).

Chapitre 7

Entretien de l'imprimante

Entretien de l'imprimante



Attention :

Lisez attentivement toutes les étiquettes de sécurité (avertissements et consignes) en vous assurant de suivre toutes leurs instructions. Ces étiquettes se trouvent au dos des capots et à l'intérieur de l'imprimante.

Prenez soin de l'imprimante pour préserver sa durée de vie. Tout dégât causé par négligence n'est pas couvert par la garantie. Nettoyez l'intérieur et l'extérieur de l'imprimante régulièrement pour éliminer poussières et résidus de papier amoindrissant ses performances et la qualité d'impression. Gardez les consignes suivantes à l'esprit.



Avertissement :

Avant tout, éteignez l'imprimante, débranchez le cordon d'alimentation et le câble d'interface. Veillez à ne pas répandre de l'eau ou du détergent dans l'imprimante, au risque de provoquer des dégâts ou de vous électrocuter.

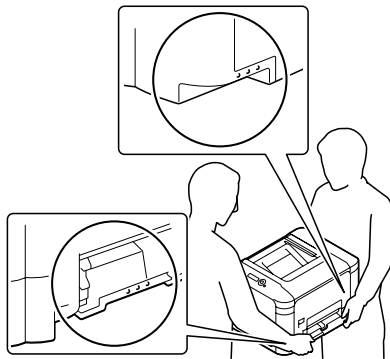


Attention :

L'unité de fixation est brûlante. Si vous ouvrez le capot latéral droit de l'imprimante, elle met environ 40 minutes pour refroidir.

- En nettoyant l'intérieur de l'imprimante ou en supprimant des bourrages, veillez à ne pas toucher l'unité de fixation ou d'autres pièces brûlantes.
- Ne posez aucun objet sur l'imprimante.
- Pour nettoyer l'imprimante, utilisez un chiffon doux.
- Ne vaporisez jamais de produit détergent directement sur l'imprimante, car il risque de s'infiltrer par les grilles d'aération et d'endommager les circuits internes.
- Pour le nettoyage, évitez d'utiliser des solutions abrasives ou corrosives ou contenant des solvants (alcool ou benzène).
- Commencez toujours par appliquer le produit de nettoyage (détergent doux) sur une petite surface de l'imprimante pour en vérifier le résultat.
- N'utilisez jamais des tampons abrasifs ou rugueux (paille de fer ou matière plastique).

- ❑ Fermez toujours les capots de l'imprimante doucement. N'exposez jamais l'imprimante à des vibrations excessives.
- ❑ Ne couvrez pas l'imprimante immédiatement après l'avoir utilisée. Eteignez-la et attendez qu'elle refroidisse.
- ❑ Ne laissez pas les capots de l'imprimante trop longtemps ouverts sous des éclairages directs pouvant endommager les blocs photoconducteurs.
- ❑ N'ouvrez pas les capots de l'imprimante pendant qu'elle fonctionne.
- ❑ Ne tapotez pas les bords de vos paquets de feuilles sur l'imprimante.
- ❑ L'imprimante ne doit jamais être démontée ou lubrifiée.
- ❑ Ne basculez pas l'imprimante.
- ❑ Ne touchez pas aux plots électriques, engrenages ou dispositifs laser, au risque d'endommager l'imprimante et d'affaiblir la qualité d'impression.
- ❑ Ne laissez pas les imprimés s'accumuler trop haut dans le bac de sortie, car ils peuvent provoquer des bourrages et se recourber excessivement.
- ❑ Pour déplacer l'imprimante, deux personnes sont nécessaires. Maintenez l'imprimante à l'horizontale pour éviter de renverser du toner.



- ❑ Pour soulever l'imprimante, repliez le Bac 1, puis soulevez l'imprimante comme indiqué ci-contre.

Si le chargeur papier de 500 feuilles en option est installé, retirez-le de l'imprimante et déplacez chaque module séparément. Ne saisissez pas la poignée du Bac 3 ou le capot latéral droit au risque d'endommager le chargeur papier de 500 feuilles.

- ❑ Sur la peau, le toner se nettoie à l'eau froide et avec un savon doux.

**Attention :**

Si vous recevez du toner dans les yeux, rincez-vous immédiatement à l'eau froide et consultez un docteur.

- Avant de rebrancher l'imprimante, assurez-vous de bien remonter toutes les pièces retirées pour le nettoyage.

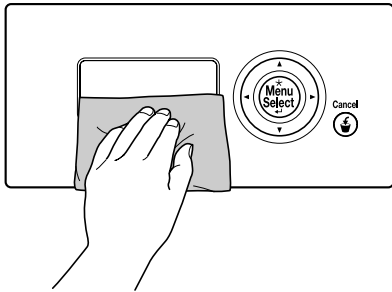
Nettoyage de l'imprimante

**Attention :**

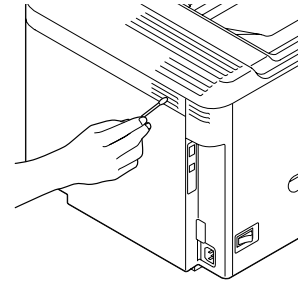
Avant de procéder au nettoyage, éteignez l'imprimante et débranchez le cordon d'alimentation.

Extérieur

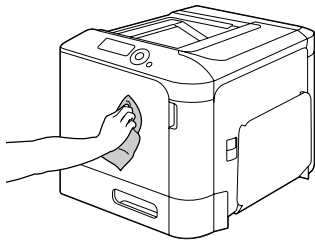
- Panneau de commande



- Grille d'aération



- Extérieur de l'imprimante

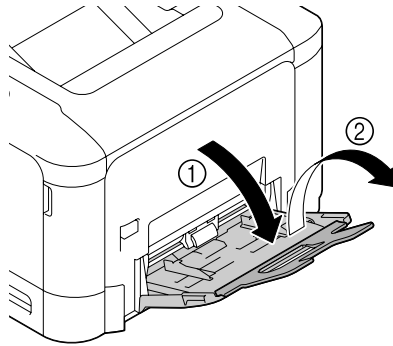


Rouleaux d'entraînement papier

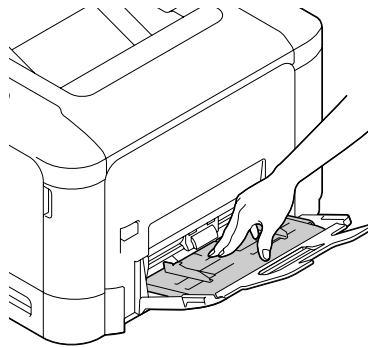
Une accumulation de poussières de papier et autres débris sur les rouleaux d'entraînement papier peut être à l'origine d'incidents papier.

Nettoyage des rouleaux d'entraînement papier (alimentation manuelle)

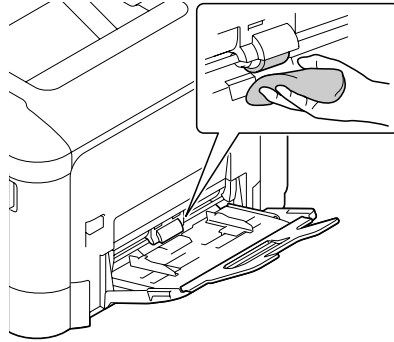
1. Ouvrez le Bac 1.



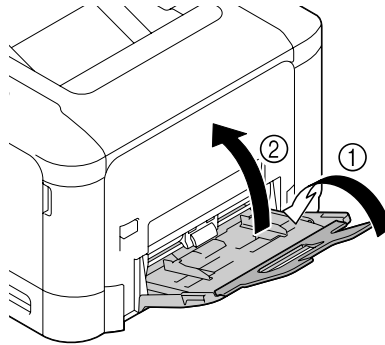
2. Appuyez au centre du volet de compression des feuilles jusqu'à ce que les onglets de verrouillage (blancs) à gauche et à droite s'enclenchent.



3. Nettoyez les rouleaux d'entraînement papier en les essuyant avec un chiffon doux et sec.

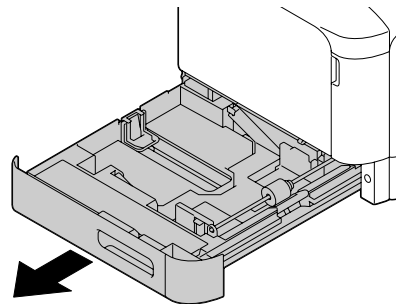


4. Fermez le bac.

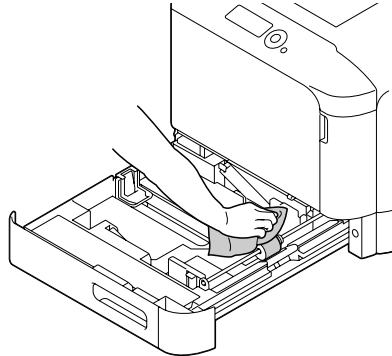


Nettoyage des rouleaux d'entraînement papier (Bac 2/3)

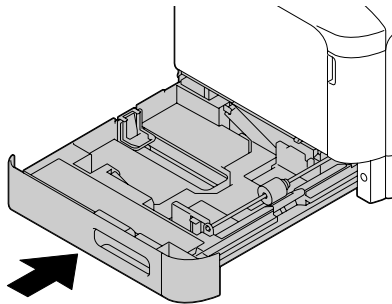
1. Tirez le bac.



2. Nettoyez les rouleaux d'entraînement papier en les essuyant avec un chiffon doux et sec.

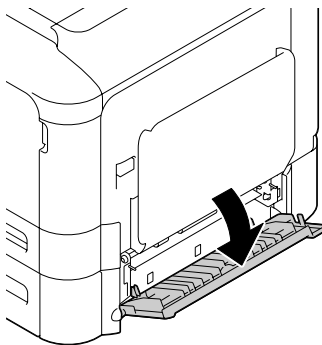


3. Fermez le bac.



Nettoyage des rouleaux de transfert papier (Bac 3)

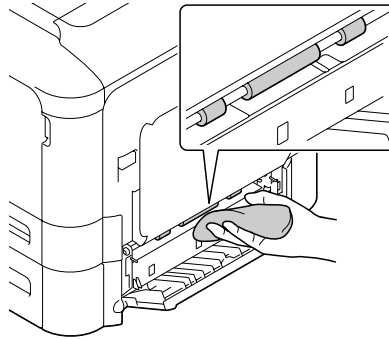
1. Ouvrez le capot latéral droit du Bac 3.



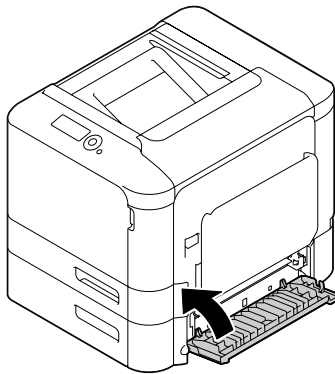
Remarque :

Avant d'ouvrir le capot latéral droit du Bac 3, repliez le Bac 1.

- Nettoyez les rouleaux de transfert papier en les essuyant avec un chiffon doux et sec.



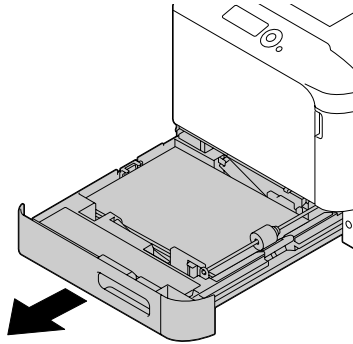
- Fermez le capot latéral droit du Bac 3.



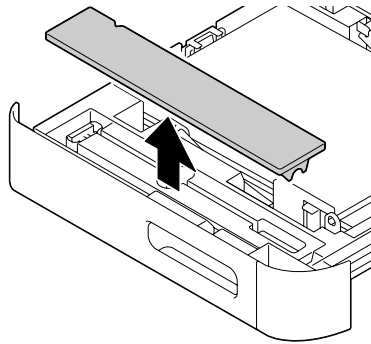
Nettoyage des lentilles laser

Cette imprimante est équipée de quatre lentilles laser. Nettoyez chacune de ces lentilles comme indiqué ci-après. La barrette de nettoyage des lentilles laser doit se trouver à l'intérieur du bac 2.

1. Tirez le bac 2.



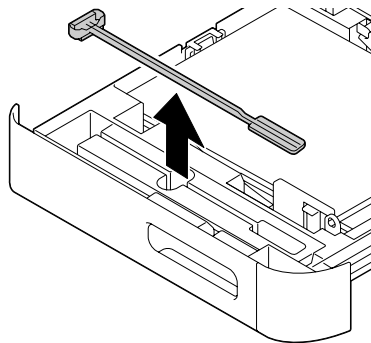
2. Retirez le capot.



Remarque :

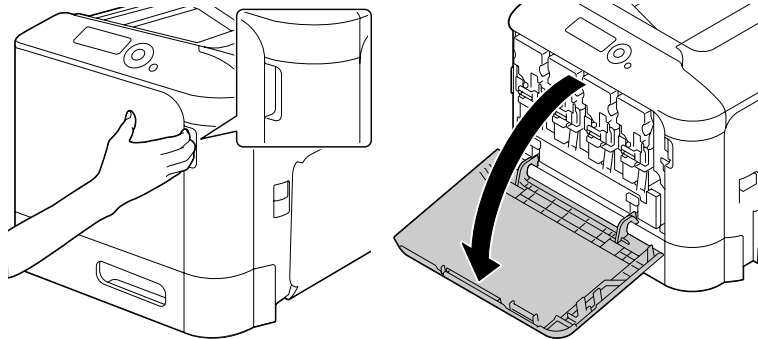
Le capot étant utilisé plus tard, ne le remplacez pas dans sa position initiale.

3. Retirez la barrette de nettoyage du Bac 2.

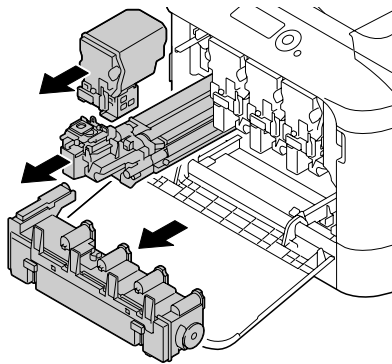


4. Fermez le bac 2.

5. Ouvrez le capot avant de l'imprimante.



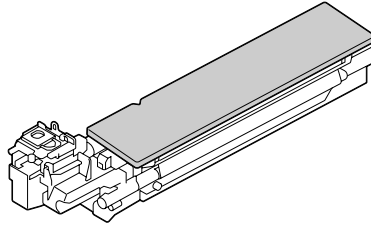
6. Retirez le réceptacle de toner usagé, la cartouche de toner et le bloc photoconducteur pour la couleur de la lentille laser à nettoyer.



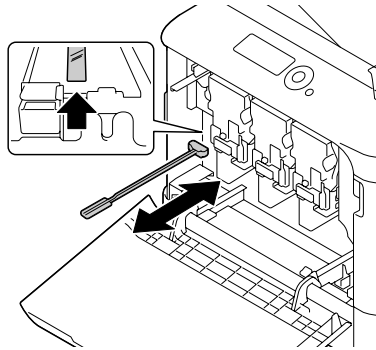
Remarque :

- ❑ *Pour plus d'informations sur le retrait de la cartouche de toner, du bloc photoconducteur ou du réceptacle de toner usagé, voir « Remplacement d'une cartouche de toner » à la page 89 ou « Remplacement d'un bloc photoconducteur » à la page 94.*
- ❑ *Du toner peut se répandre si vous inclinez la cartouche de toner que vous venez de retirer.*
- ❑ *Du toner usagé peut se répandre si vous inclinez le réceptacle de toner usagé.*

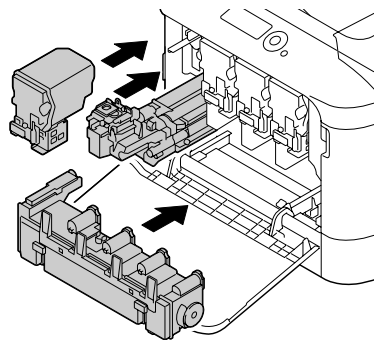
- Fixez le capot retiré à l'étape 2 au bloc photoconducteur.



- Introduisez la barrette de nettoyage des des lentilles laser dans l'ouverture du bloc photoconducteur et déplacez-la d'arrière en avant 2 à 3 fois de suite.



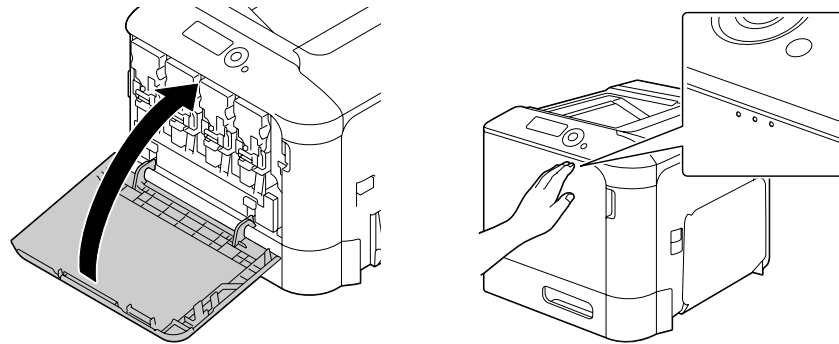
- Réinstallez la cartouche de toner, le bloc photoconducteur et le réceptacle de toner usagé.



Remarque :

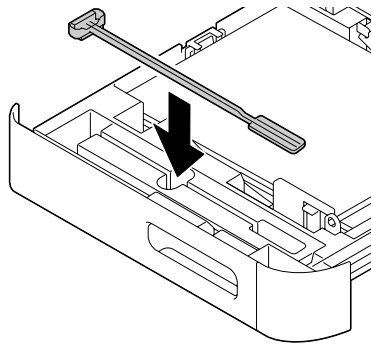
Pour plus d'informations sur l'installation de la cartouche de toner, du bloc photoconducteur ou du réceptacle de toner usagé, voir « Remplacement d'une cartouche de toner » à la page 89 ou « Remplacement d'un bloc photoconducteur » à la page 94.

10. Fermez le capot avant.

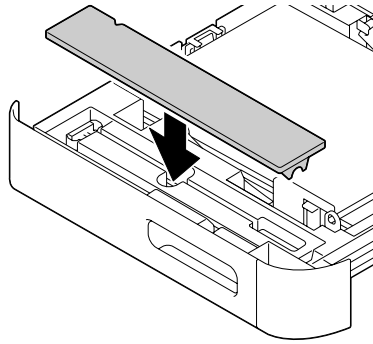
**Remarque :**

Pour fermer le capot avant, appuyez sur la zone du capot présentant de petites bosses.

11. Tirez le bac 2.
12. Replacez la barrette de nettoyage des lentilles laser sur son support à l'intérieur du Bac 2.



13. Fermez le capot.



14. Fermez le bac 2.

15. Nettoyez la zone entre chaque lentille laser de la même manière.

Remarque :

*La barrette de nettoyage des lentilles laser est fournie avec l'imprimante.
Rangez cet outil en lieu sûr afin de ne pas l'égarer.*

Chapitre 8

Résolution de problèmes

Impression d'une page de configuration

1. Appuyez sur la touche **Menu/Select**.
2. Sélectionnez PRINT MENU (MENU IMPRIMER), puis appuyez sur la touche **Menu/Select**.
3. Sélectionnez CONFIGURATION PG (PAGE DE CONFIG.), puis appuyez sur la touche **Menu/Select**.
4. Sélectionnez PRINT (IMPRIMER), puis appuyez sur la touche **Menu/Select**.

Prévention des bourrages papier

| |
|---|
| Veillez à ce que... |
| Le support répond aux spécifications de l'imprimante. |
| Le support repose bien à plat dans le bac, notamment le bord avant. |
| L'imprimante est installée sur une surface plane et dure. |
| Le support est stocké dans un endroit sec à l'abri de toute humidité. |
| Vous ajustez toujours les guides papier <i>après</i> avoir chargé le support dans le bac (<i>un guide mal ajusté peut être à l'origine d'une mauvaise qualité d'impression, de bourrages, voire de dégât matériel</i>). |
| Vous chargez le papier dans le bac avec la face imprimable orientée vers le haut (<i>le côté imprimable des feuilles est en général indiqué sur l'emballage du papier</i>). |
| Évitez... |
| D'utiliser un support plié, froissé ou trop recourbé. |
| De laisser des doubles feuilles s'alimenter dans l'imprimante (<i>retirez le papier et aérez les feuilles pour supprimer toute adhérence</i>). |
| De charger différents types, formats, grammages de support à la fois dans le même bac. |
| De surcharger les bacs d'alimentation papier. |

Evitez...

De laisser les imprimés s'accumuler dans le bac de sortie (ce bac peut contenir 200 feuilles ; un bourrage peut survenir si le remplissage du bac dépasse cette capacité).

Suppression des bourrages papier

Pour éviter tout dégât, retirez toujours les feuilles à l'origine du bourrage doucement, sans les déchirer. Tout morceau de papier restant dans l'imprimante, quelle que soit sa taille, peut obstruer le chemin papier et provoquer d'autres bourrages. Ne rechargez jamais des feuilles que vous avez retirées d'un bourrage.

Remarque :

Avant son passage dans l'unité de fixation, l'image n'est pas « fixée » sur le support. En retirant les feuilles d'un bourrage, veillez donc à ne pas toucher la face imprimée, car vous risquez de vous salir les mains avec du toner. Veillez aussi à ne pas répandre du toner dans l'imprimante.

**Attention :**

- Le toner non fixé peut salir vos mains, vos vêtements ou tout ce qu'il touche. Si vous salissez accidentellement vos vêtements, il suffit d'épousseter légèrement la poudre, et de nettoyer toute trace résiduelle à l'aide d'eau froide, et non d'eau chaude. Sur la peau, le toner se nettoie à l'eau froide et avec un savon doux.
- Si vous recevez du toner dans les yeux, rincez-vous immédiatement à l'eau froide et consultez un docteur.

Après avoir supprimé un bourrage, si le message de bourrage reste affiché sur l'écran du panneau de commande, ouvrez et refermez les capots de l'imprimante. Normalement, cela efface le message.

Messages de bourrage et procédures correctives

| Messages de bourrage | Page de référence |
|--|--|
| PAPER JAM (BOURRAGE) TRAY2 (BAC2) | « Suppression d'un bourrage dans le Bac 2 » à la page 125 |
| PAPER JAM (BOURRAGE) TRAY3 (BAC3) | « Suppression d'un bourrage dans le Bac 3 » à la page 128 |
| PAPER JAM (BOURRAGE) DUPLX1 (RECTO-VERSO 1) | « Suppression d'un bourrage dans l'unité recto-verso en option (Epson AcuLaser C3900DN uniquement) » à la page 131 |

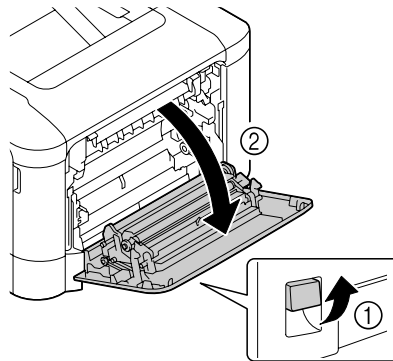
| Messages de bourrage | Page de référence |
|---|---|
| PAPER JAM (BOURRAGE) DUPLEX2 (RECTO-VERSO 2) | « Suppression d'un bourrage dans l'unité recto-verso en option (Epson AcuLaser C3900DN uniquement) » à la page 131 |
| PAPER JAM (BOURRAGE) FUSER/EXIT (FIXAT/SORTIE) | « Suppression d'un bourrage dans l'unité de fixation » à la page 132 |
| PAPER JAM (BOURRAGE) TRAY1 (BAC1) | « Suppression d'un bourrage dans le Bac 1 (alimentation manuelle) et au niveau du rouleau de transfert » à la page 136 |
| PAPER JAM (BOURRAGE) SECOND TRANS (TRANSFERT 2) | « Suppression d'un bourrage dans le Bac 1 (alimentation manuelle) et au niveau du rouleau de transfert » à la page 136 |
| PAPER JAM (BOURRAGE) VERTICAL TRANS (TRANS VERT) | « Suppression d'un bourrage dans le Bac 3 » à la page 128, « Suppression d'un bourrage dans le Bac 1 (alimentation manuelle) et au niveau du rouleau de transfert » à la page 136 |

Remarque :

Lorsque le message PAPER JAM (BOURRAGE)/VERTICAL TRANS (TRANS VERT) apparaît, vérifiez les bourrages éventuels dans la zone du rouleau de transfert, au niveau du capot latéral droit du Bac 3.

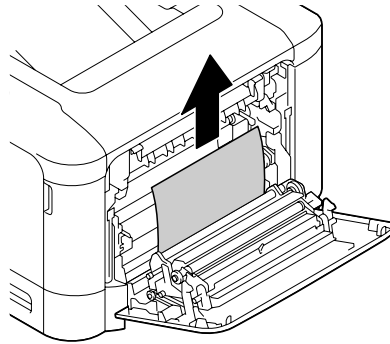
Suppression d'un bourrage dans le Bac 2

1. Soulevez le levier, puis ouvrez le capot latéral droit.

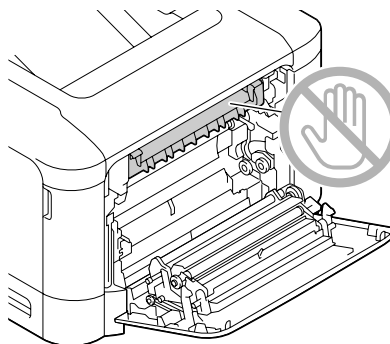
**Remarque :**

Avant d'ouvrir le capot latéral droit, repliez le Bac 1.

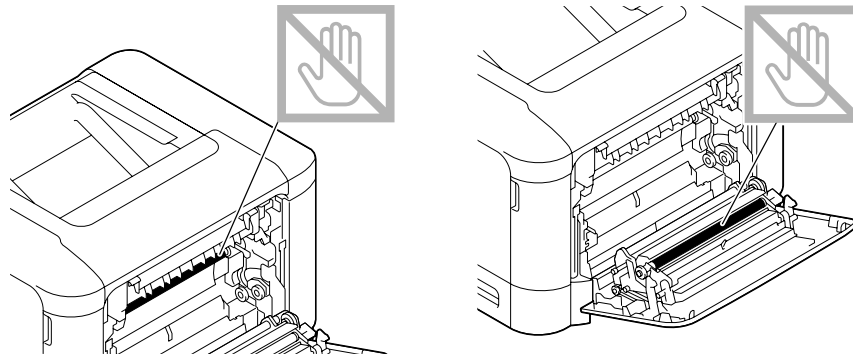
2. Retirez doucement la feuille coincée.

**Attention :**

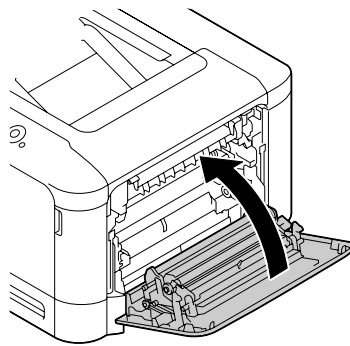
La zone autour de l'unité de fixation peut atteindre une température très élevée. Si vous touchez d'autres pièces que les leviers indiqués, vous risquez de vous brûler. Si cela se produit, aspergez immédiatement votre brûlure d'eau froide et faites-vous prodiguer des soins médicaux.

**Remarque :**

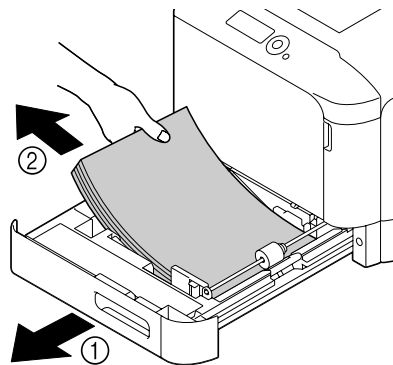
Tout contact avec la surface de la courroie de transfert ou le rouleau de transfert de l'image risque de nuire à la qualité d'impression. Veillez donc à ne pas toucher ces composants.



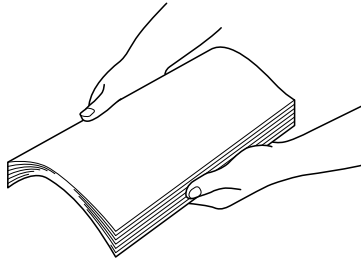
3. Fermez le capot latéral droit.



4. Tirez le Bac 2, puis retirez tout le support chargé dans ce bac.



5. Aérez le support que vous avez retiré et égalisez les bords du paquet.

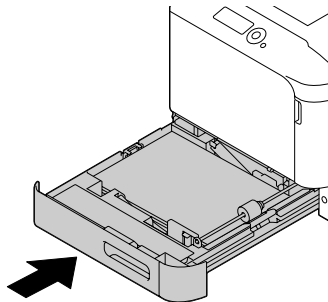


6. Chargez le support dans le Bac 2, face imprimable vers le haut.

Remarque :

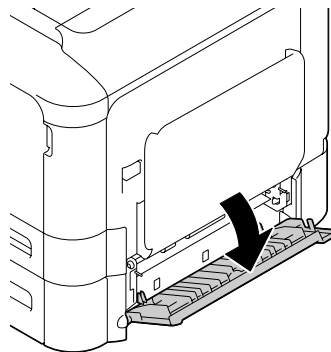
- Assurez-vous qu'il repose bien à plat.
- Ne chargez pas des feuilles au-delà de la limite ▼.

7. Fermez le Bac 2.



Suppression d'un bouchage dans le Bac 3

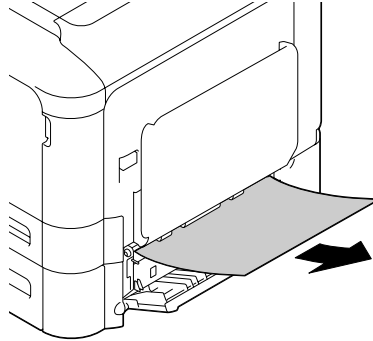
1. Ouvrez le capot latéral droit du Bac 3.



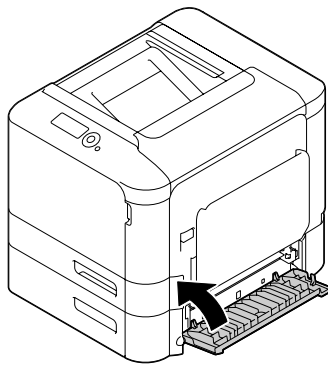
Remarque :

Avant d'ouvrir le capot latéral droit du Bac 3, repliez le Bac 1.

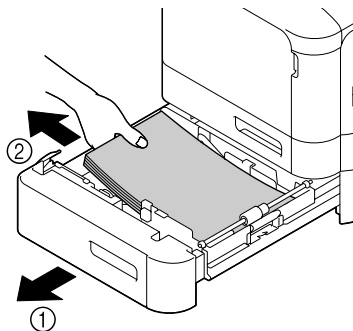
2. Retirez doucement la feuille coincée.



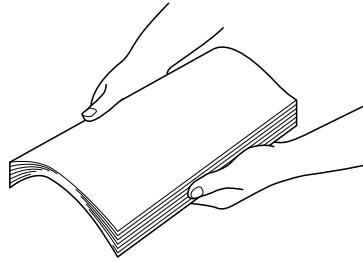
3. Fermez le capot latéral droit du Bac 3.



4. Tirez le Bac 3, puis retirez tout le papier chargé dans ce bac.



5. Aérez le papier que vous avez retiré et égalisez les bords du paquet.

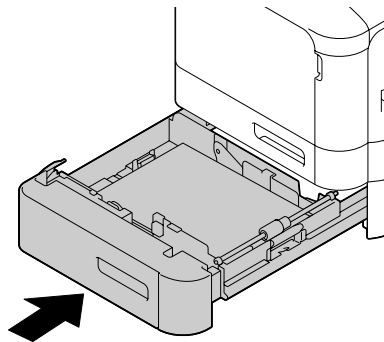


6. Chargez le papier dans le Bac 3, face imprimable vers le haut.

Remarque :

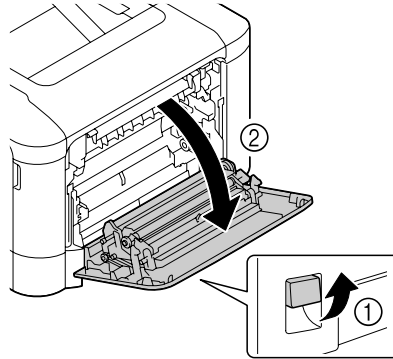
- Assurez-vous qu'il repose bien à plat.
- Ne chargez pas des feuilles au-delà de la limite ▼.
- Faites glisser les guides papier contre les bords du papier.

7. Fermez le Bac 3.



Suppression d'un bouchage dans l'unité recto-verso en option (Epson AcuLaser C3900DN uniquement)

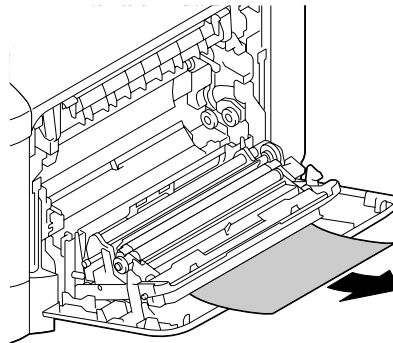
1. Soulevez le levier, puis ouvrez le capot latéral droit.



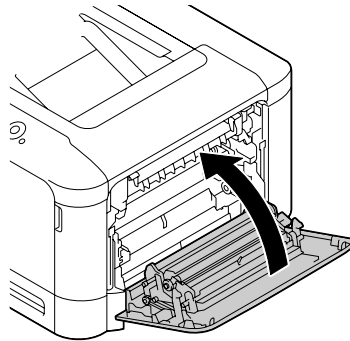
Remarque :

Avant d'ouvrir le capot latéral droit, repliez le Bac 1.

2. Retirez doucement la feuille coincée.

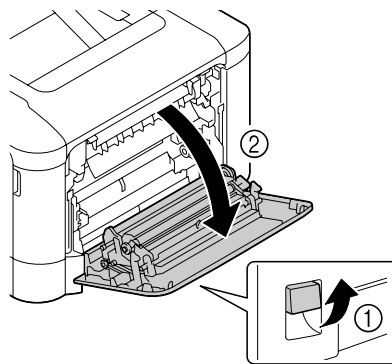


3. Fermez le capot latéral droit.



Suppression d'un bouchage dans l'unité de fixation

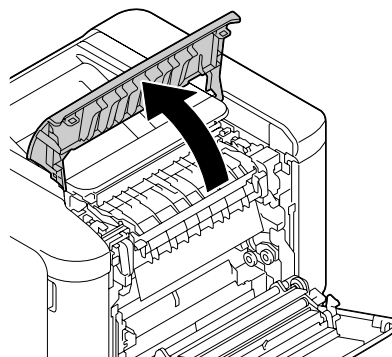
1. Soulevez le levier, puis ouvrez le capot latéral droit.



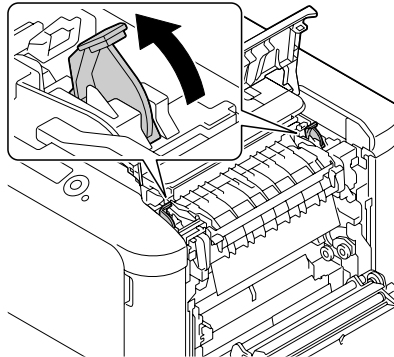
Remarque :

Avant d'ouvrir le capot latéral droit, repliez le Bac 1.

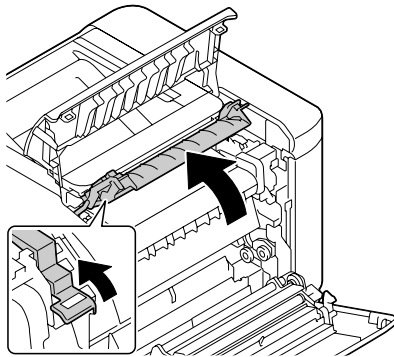
2. Ouvrez le capot d'éjection.



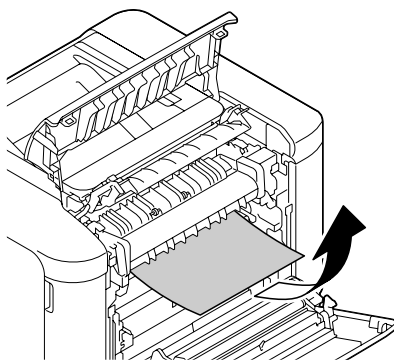
3. Soulevez les deux leviers.



4. Ouvrez le capot de l'unité de fixation.

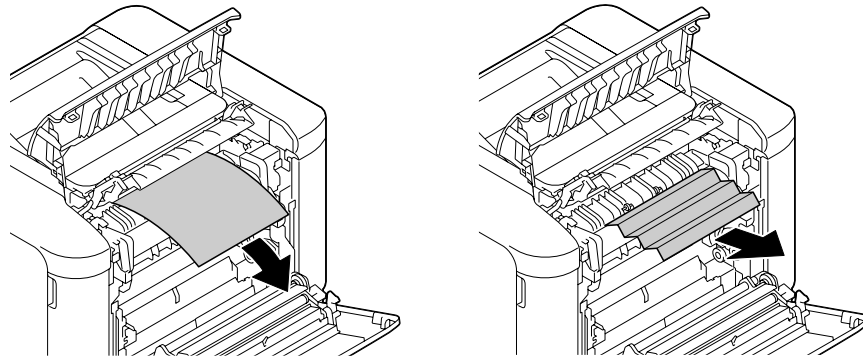


5. Retirez doucement la feuille coincée.



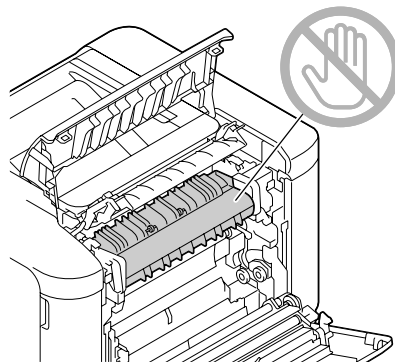
Remarque :

Si vous ne pouvez pas ôter la feuille coincée en la tirant par le bas de l'unité de fixation, retirez-la par le haut.



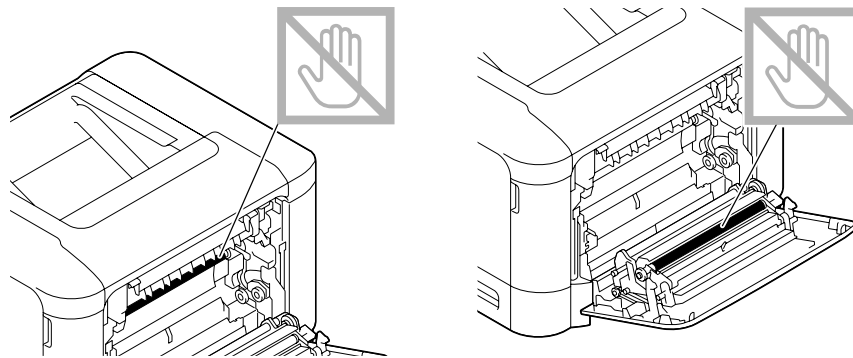
Attention :

La zone autour de l'unité de fixation peut atteindre une température très élevée. Si vous touchez d'autres pièces que les leviers indiqués, vous risquez de vous brûler. Si cela se produit, aspergez immédiatement votre brûlure d'eau froide et faites-vous prodiguer des soins médicaux.

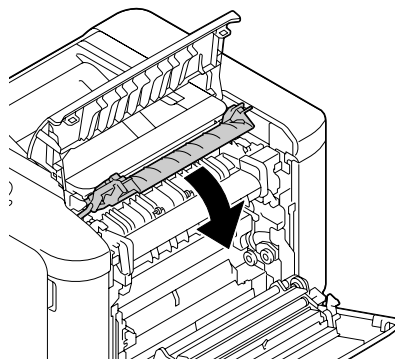


Remarque :

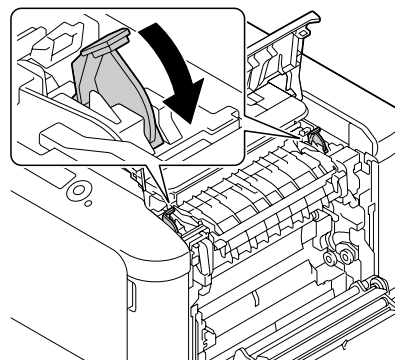
Tout contact avec la surface de la courroie de transfert ou le rouleau de transfert de l'image risque de nuire à la qualité d'impression. Veillez donc à ne pas toucher ces composants.



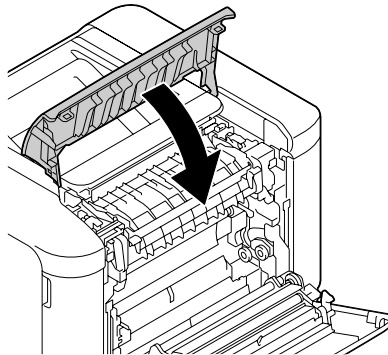
6. Fermez le capot de l'unité de fixation.



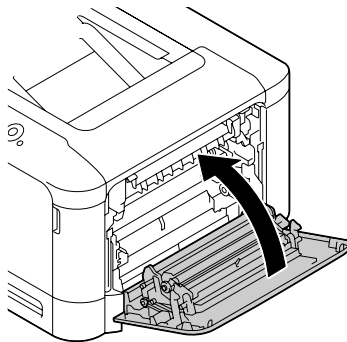
7. Abaissez les deux leviers.



8. Fermez le capot d'éjection.

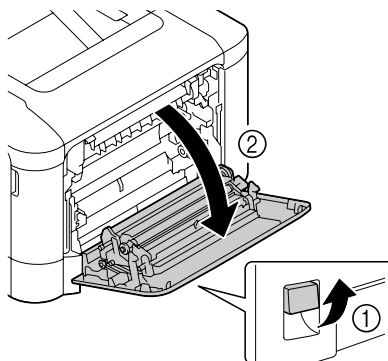


9. Fermez le capot latéral droit.



Suppression d'un bouchage dans le Bac 1 (alimentation manuelle) et au niveau du rouleau de transfert

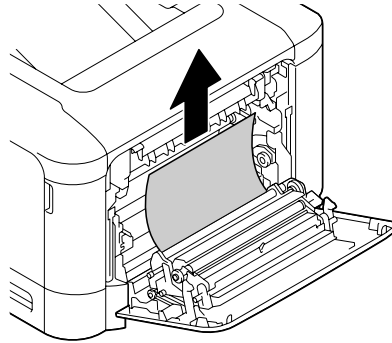
1. Soulevez le levier, puis ouvrez le capot latéral droit.



Remarque :

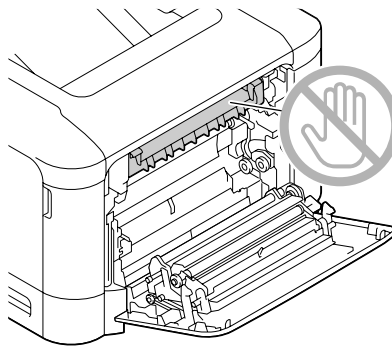
Avant d'ouvrir le capot latéral droit, repliez le Bac 1.

2. Retirez doucement la feuille coincée.

**Attention :**

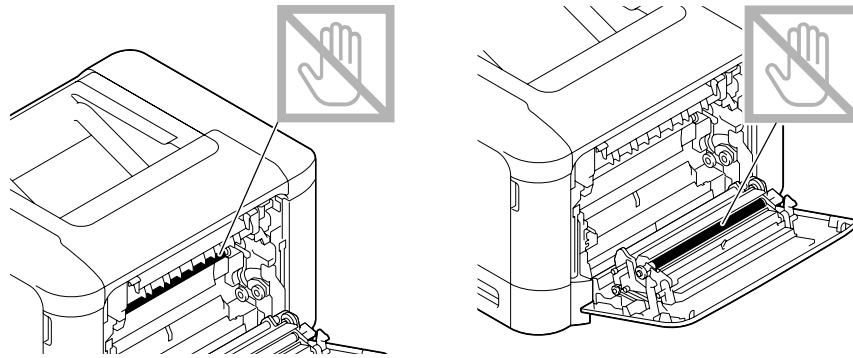
La zone autour de l'unité de fixation peut atteindre une température très élevée.

Si vous touchez d'autres pièces que les leviers indiqués, vous risquez de vous brûler. Si cela se produit, aspergez immédiatement votre brûlure d'eau froide et faites-vous prodiguer des soins médicaux.

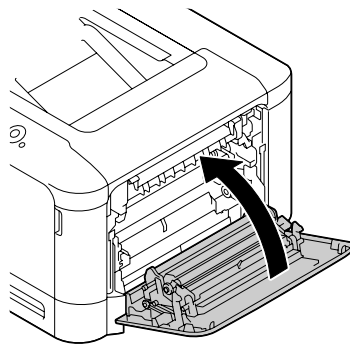
**Remarque :**

Tout contact avec la surface de la courroie de transfert ou le rouleau de transfert de l'image risque de nuire à la qualité d'impression.

Veillez donc à ne pas toucher ces composants.



3. Fermez le capot latéral droit.



Résolution des problèmes de bouchage papier

Remarque :

Des bouchages fréquents dans une zone particulière signifient que cette zone nécessite d'être examinée, réparée ou nettoyée. Ils peuvent aussi se produire si vous utilisez un support non accepté.

| Symptôme | Cause | Solution |
|---|---|---|
| Plusieurs feuilles pénètrent en même temps dans l'imprimante. | Les bords avant des feuilles ne sont pas alignés. | Retirez les feuilles du bac, alignez leurs bords avant et replacez-les dans le bac. |
| | Le support utilisé est humide. | Remplacez le support chargé dans le bac par un support sec. |

| Symptôme | Cause | Solution |
|---|---|---|
| Le message de bourrage reste affiché. | Le capot latéral droit doit être ouvert et refermé pour réinitialiser l'imprimante. | Ouvrez puis refermez capot latéral droit de l'imprimante. |
| | Une ou plusieurs feuilles sont restées coincées dans l'imprimante. | Vérifiez à nouveau le chemin papier pour vous assurer d'avoir retiré toutes les feuilles coincées. |
| Bourrages dans l'unité recto-verso. | Le support utilisé n'est pas accepté (format, épaisseur, type, etc.). | Utilisez des supports homologués Epson. Voir « Supports d'impression » à la page 63. |
| | | L'impression recto-verso ne peut se faire que sur du papier standard, du papier spécial et du papier épais de 60 à 210 g/m ² (16 à 55,9 lb) Voir « Supports d'impression » à la page 63. |
| | | Assurez-vous que le Bac 1 ou 2 ne contient pas différents types de support. |
| | Les enveloppes, les étiquettes, le papier en-tête, les cartes postales, le papier brillant ou le papier recto seul ne peuvent pas être imprimés en recto-verso. | |
| Des feuilles peuvent être restées coincées. | | Vérifiez à nouveau le chemin papier dans l'unité recto-verso en option et retirez toute feuille pouvant encore s'y trouver. |

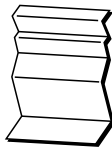
| Symptôme | Cause | Solution |
|---|--|--|
| Les feuilles se coincent dans l'imprimante. | Le support n'est pas correctement placé dans le bac. | Retirez les feuilles coincées et rechargez le support dans le bac comme il convient. |
| | Le bac contient des feuilles dépassant la limite de remplissage. | Retirez les feuilles excédentaires et rechargez la quantité de feuilles appropriée. |
| | Les guides papier ne sont pas bien ajustés au format utilisé. | Ajustez ces guides dans le bac en fonction du format utilisé. |
| | Le support chargé est gondolé ou froissé. | Retirez les feuilles, lissez-les et rechargez-les. Si les bourrages persistent, n'utilisez pas ce support. |
| | Le support utilisé est humide. | Remplacez le support chargé dans le bac par un support sec. |
| | Des enveloppes sont chargées dans le Bac 2 ou 3. | Les enveloppes doivent être exclusivement chargées dans le Bac 1. |
| | Des étiquettes, du papier en-tête, des cartes postales, du support épais ou brillant sont chargés dans le Bac 3. | Les étiquettes, le papier en-tête, les cartes postales, les supports épais ou brillants doivent être chargés dans le Bac 1 ou 2. |
| | Un support de format personnalisé est chargé dans le Bac 3. | Un support de format personnalisé peut être chargé dans le Bac 1 ou 2. Voir « Supports d'impression » à la page 63. |
| | Les planches d'étiquettes ne sont pas tournées du bon côté dans le Bac 1 ou 2. | Chargez les planches d'étiquettes conformément aux instructions du fabricant. |
| | Les enveloppes ne sont pas tournées du bon côté dans le Bac 1. | Chargez les enveloppes dans le Bac 1 avec les rabats tournés vers le haut. |
| Les feuilles se coincent dans l'imprimante. | Le support utilisé n'est pas accepté (format, épaisseur, type, etc.). | Utilisez des supports homologués Epson. Voir « Supports d'impression » à la page 63. |
| | Les rouleaux d'entraînement papier sont sales. | Nettoyez les rouleaux d'entraînement papier. Pour plus d'informations, voir « Rouleaux d'entraînement papier » à la page 114. |

Résolution d'autres problèmes



| Symptôme | Cause | Solution |
|--|--|---|
| L'imprimante ne s'allume pas. | Le cordon d'alimentation n'est pas branché correctement dans la prise de courant. | Eteignez l'imprimante, vérifiez le branchement du cordon d'alimentation dans la prise de courant, et rallumez l'imprimante. |
| | La prise utilisée pour l'imprimante est défectueuse. | Branchez un autre appareil électrique dans cette prise pour vérifier son fonctionnement. |
| | L'interrupteur Marche/Arrêt n'est pas en position I (Marche). | Basculez l'interrupteur en position O (Arrêt), puis en position I (Marche). |
| | La prise utilisée pour l'imprimante a une tension ou fréquence non conforme aux spécifications. | Utilisez une prise de courant conforme aux spécifications mentionnées en Annexe A, « Spécifications techniques ». |
| Des données ont été envoyées à l'imprimante, mais rien ne s'imprime. | Un message d'erreur est affiché sur l'écran des messages. | Effectuez l'action corrective en fonction du message affiché. |
| | Le travail peut être annulé si des paramètres d'authentification utilisateur ou de suivi de compte sont définis. | Cliquez sur le bouton Authentification Utilisateur/Suivi de compte dans le pilote de l'imprimante, puis tapez les informations requises avant d'imprimer. |
| Le panneau de commande affiche le message TONER LOW (Toner bas) plus tôt que prévu. | L'une des cartouches peut être défectueuse. | Retirez les cartouches de toner et vérifiez leur état. Remplacez-les si nécessaire. |
| | Vous imprimez avec un fort taux de couverture en toner. | Voir les spécifications fournies dans l'Annexe A. |
| Impossible d'imprimer la page de configuration. | Le bac support est vide. | Vérifiez que le Bac 1 (au moins) est chargé, bien en place et fermé. |
| | Il y a un bourrage papier. | Localisez et supprimez ce bourrage. |




| Symptôme | Cause | Solution |
|---|--|--|
| Impossible d'imprimer depuis un périphérique mémoire USB. | Le format de fichier (extension de fichier) n'est pas imprimable. | Seuls des fichiers au format (avec l'extension) JPEG, TIFF, XPS ou PDF peuvent être imprimés. |
| | La fonction MEMORY DIRECT (MÉMOIRE DIRECTE) de l'imprimante a la valeur DISABLE (DESACTIVE). | Dans INTERFACE MENU (MENU INTERFACE)/MEMORY DIRECT (MÉMOIRE DIRECTE), sélectionnez ENABLE (ACTIVÉ). |
| | Un utilisateur public n'est pas spécifié pour l'authentification utilisateur. | Contactez l'administrateur de l'imprimante. |
| | Des périphériques mémoire USB chiffrés sont utilisés. | Les périphériques mémoire USB chiffrés ne sont pas pris en charge. |
| L'impression est trop lente. | L'imprimante est configurée pour imprimer en mode lent (par exemple sur un support épais). | L'impression sur support spécial est plus lente. Si vous utilisez du papier standard, assurez-vous que le type de support approprié est défini dans le pilote. |
| | Le travail d'impression est très complexe. | Veuillez patienter. Aucune action n'est requise. |
| | L'imprimante ne dispose pas d'une mémoire suffisante | Ajoutez de la mémoire. |
| | Une cartouche de toner destinée à une autre région ou non authentique est installée (NON-GENUINE TONER X (TONER NON ORIGINAL X) s'affiche sur l'écran des messages). | Installez une cartouche de toner Epson homologuée et appropriée pour votre type d'imprimante. |
| Des pages vierges sont produites en cours d'impression. | Une ou plusieurs cartouches de toner sont vides ou défectueuses. | Vérifiez les cartouches de toner. Si les cartouches sont vides, l'image ne s'imprime pas. |
| | Le support utilisé ne convient pas. | Vérifiez que le type de support sélectionné dans le pilote est le même que celui chargé dans l'imprimante. |





| Symptôme | Cause | Solution |
|---|---|---|
| Les pages ne s'impriment pas toutes. | Le câble de l'imprimante n'est pas le bon ou l'imprimante non configurée pour le câble et le port utilisés. | Vérifiez le câble. |
| | La touche Cancel a été activée. | Vérifiez que la touche Cancel n'a pas été activée lors de l'impression de votre travail. |
| | Le bac support est vide. | Vérifiez que les bacs sont chargés, bien installés et fermés. |
| | Vous imprimez avec un fichier calque créé par un pilote qui ne convient pas. | Imprimez le fichier calque à l'aide d'un pilote approprié. |
| L'imprimante se réinitialise ou s'éteint souvent. | Le cordon d'alimentation n'est pas branché correctement dans la prise de courant. | Eteignez l'imprimante, vérifiez le branchement du cordon d'alimentation dans la prise de courant, et rallumez l'imprimante. |
| | Une erreur système est survenue. | Envoyez l'erreur au support technique. |
| Le message d'erreur <code>PORT AUTH ACTIVE</code> reste affiché sur l'écran des messages. | Echec de l'authentification IEEE 802.1X. | Dans <code>INTERFACE MENU (MENU INTERFACE)/ETHERNET/IEEE802.1X/ENABLE (ACTIVE)</code> , sélectionnez <code>NO (NON)</code> , puis vérifiez tous les paramètres en rapport avec IEEE 802.1X. |
| L'impression recto-verso pose des problèmes. (Epson AcuLaser C3900DN uniquement) | Le support utilisé ou les paramètres définis ne conviennent pas. | Assurez-vous d'imprimer sur le support approprié. <ul style="list-style-type: none"> <input type="checkbox"/> Voir « Supports d'impression » à la page 63. <input type="checkbox"/> Les enveloppes, les étiquettes, le papier en-tête, les cartes postales, le papier brillant ou le papier recto seul ne peuvent pas être imprimés en recto-verso. <input type="checkbox"/> Assurez-vous que le Bac 1 ou 2 ne contient pas différents types de support. |
| | | Vérifiez que votre document comporte plus d'une page. |
| | | Assurez-vous que le modèle EPSON AL-C3900 est sélectionné dans la zone Model (Modèle) sous Device Options (Options périphérique) du pilote de l'imprimante Windows (Propriétés/onglet Configurer (Configurer)). |
| | | Dans le pilote de l'imprimante Windows (Layout (Mise en page)/Print Type (Type d'impression)), sélectionnez Double-Sided (Recto/verso). |
| | | Pour une impression N-up (Miniatures) sur pages recto-verso, activez uniquement la fonction Collate (Tri) sous l'onglet Basic (Standard) du pilote de l'imprimante. N'activez pas cette fonction dans l'application. |




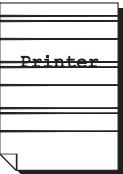
| Symptôme | Cause | Solution |
|---|--|---|
| L'impression N-up en copies multiples ne se fait pas correctement. | La fonction de tri est activée à la fois dans le pilote de l'imprimante et dans l'application. | Pour une impression N-up (Miniatures) sur plusieurs copies, activez uniquement la fonction Collate (Tri) sous l'onglet Basic (Standard) du pilote de l'imprimante. N'activez pas cette fonction dans l'application. |
| Des bruits inhabituels se font entendre. | Un objet quelconque est coincé dans l'imprimante. | Eteignez l'imprimante et retirez l'objet. Si vous n'y parvenez pas, contactez le support technique. |
| Impossible d'accéder à l'utilitaire Web. | Le mot de passe Administrateur pour Web-Based EpsonNet Config est incorrect. | Le mot de passe Administrateur pour Web-Based EpsonNet Config doit comporter entre 0 caractères minimum et 16 caractères maximum. Pour plus d'informations sur le mot de passe Administrateur pour Web-Based EpsonNet Config, voir le Guide de Référence. |
| L'imprimé est froissé.  | Le support est humide ou a été mouillé. | Remplacez le support chargé dans le bac par un support sec. |
| | Une défectuosité existe au niveau du rouleau de transfert ou de l'unité de fixation. | Vérifiez l'état de ces pièces. Si nécessaire, envoyez l'erreur au support technique. |
| | Le support utilisé n'est pas accepté (format, épaisseur, type, etc.). | Utilisez des supports homologués Epson. Voir « Supports d'impression » à la page 63. |
| La date et l'heure ne se mettent pas à jour correctement sur l'imprimante. | La pile auxiliaire est arrivée en fin de vie. | Remplacez la pile auxiliaire. Pour plus d'informations, voir « Remplacement de la pile auxiliaire » à la page 104. |
| Les pages alimentées ont été inégalement chargées. | Le papier est très recourbé. | Retirez le papier du bac papier, retournez-le et rechargez-le. |
| | Les guides papier du bac papier sont trop éloignés des bords du papier. | Plaquez les guides papier du bac contre les bords du papier chargé de sorte qu'il n'y ait pas d'espace entre les deux. |
| Le disque dur a été automatiquement formaté. | Le disque dur était plein. | Quand le panneau de commande affiche HDD NEAR FULL (HDD ESPACE MINI), supprimez les travaux d'impression et des ressources (polices, formulaires, etc.) qui ont été enregistrés sur le disque dur via Web-Based EpsonNet Config. |


Résolution des problèmes de qualité

| Symptôme | Cause | Solution |
|--|--|---|
| Rien ne s'imprime ou des points blancs apparaissent sur la page imprimée.  | Un ou plusieurs blocs photoconducteurs sont peut-être défectueux. | Retirez les blocs photoconducteurs et vérifiez leur état. Remplacez-le si nécessaire. |
| | Le support utilisé est humide. | Vérifiez l'humidité ambiante dans le local de stockage des supports. Remplacez le support chargé dans le bac par un support sec. |
| | Le support défini dans le pilote de l'imprimante ne correspond pas à celui qui est chargé dans le bac. | Chargez le support approprié dans le bac. |
| | L'alimentation électrique ne répond pas aux spécifications de l'imprimante. | Utilisez une alimentation électrique répondant aux spécifications de l'imprimante. |
| | Plusieurs feuilles pénètrent en même temps dans l'imprimante. | Retirez les feuilles du bac et vérifiez si elles adhèrent les unes aux autres. Aérez les feuilles de papier standard ou autre, et replacez-les dans le bac. |
| | Le support n'est pas correctement chargé dans le ou les bacs. | Retirez le paquet de feuilles chargées dans le bac et alignez-en les bords. Rechargez-le dans le bac et réajustez les guides papier. |
| Toute la page s'imprime en noir ou dans une autre couleur.  | Un ou plusieurs blocs photoconducteurs sont peut-être défectueux. | Retirez les blocs photoconducteurs et vérifiez leur état. Remplacez-les si nécessaire. |

| Symptôme | Cause | Solution |
|---|---|--|
| <p>L'image est trop pâle ; sa densité est faible.</p>  | La lentille laser est sale. | Nettoyez la lentille laser. |
| | Le support utilisé est humide. | Retirez le support humide chargé et remplacez-le par un support sec. |
| | L'une des cartouches de toner est presque vide. | Remplacez la cartouche de toner. |
| | Un ou plusieurs blocs photoconducteurs sont peut-être défectueux. | Retirez les blocs photoconducteurs et vérifiez leur état. Remplacez-les si nécessaire. |
| | Le type de support n'est pas correctement défini. | Quand vous imprimez sur des enveloppes, des étiquettes, du papier en-tête, des cartes postales, du support épais, du papier brillant, du papier recto seul ou du papier spécial, sélectionnez le type de support approprié dans le pilote de l'imprimante. |
| <p>L'image est trop foncée.</p>  | Un ou plusieurs blocs photoconducteurs sont peut-être défectueux. | Retirez les blocs photoconducteurs et vérifiez leur état. Remplacez-les si nécessaire. |
| <p>L'image est floue ; le fond est légèrement maculé ; l'image imprimée manque de brillant.</p>  | Un ou plusieurs blocs photoconducteurs sont peut-être défectueux. | Retirez les blocs photoconducteurs et vérifiez leur état. Remplacez-les si nécessaire. |

| Symptôme | Cause | Solution |
|--|--|--|
| L'impression ou la densité couleur n'est pas homogène.  | Une ou plusieurs cartouches de toner sont défectueuses ou presque vides. | Retirez les cartouches de toner et vérifiez leur état. Remplacez-les si nécessaire. |
| | L'imprimante n'est pas de niveau. | Placez l'imprimante sur une surface dure et plane. |
| L'impression n'est pas régulière ou l'image est mouchetée.  | Le support utilisé est humide. | Vérifiez l'humidité ambiante dans le local de stockage des supports. Remplacez le support chargé dans le bac par un support sec. |
| | Le support utilisé n'est pas accepté (format, épaisseur, type, etc.). | Utilisez des supports homologués Epson. Voir « Supports d'impression » à la page 63. |
| | Un ou plusieurs blocs photoconducteurs sont peut-être défectueux. | Retirez les blocs photoconducteurs et vérifiez leur état. Remplacez-le si nécessaire. |
| L'image n'est pas assez fixée ou se gomme facilement.  | Le support utilisé est humide. | Remplacez le support chargé dans le bac par un support sec. |
| | Le support utilisé n'est pas accepté (format, épaisseur, type, etc.). | Utilisez des supports homologués Epson. Voir « Supports d'impression » à la page 63. |
| | Le type de support n'est pas bien défini. | Quand vous imprimez sur des enveloppes, des étiquettes, du papier en-tête, des cartes postales, du support épais, du papier brillant, du papier recto seul ou du papier spécial, sélectionnez le type de support approprié dans le pilote de l'imprimante. |
| Il y a des traces de toner ou des images parasites sur l'imprimé.  | Un ou plusieurs blocs photoconducteurs sont peut-être défectueux ou mal installés. | Retirez les blocs photoconducteurs et vérifiez leur état. Remplacez-les si nécessaire. |

| Symptôme | Cause | Solution |
|---|--|--|
| <p>Il y a des traces de toner sur le verso de la page (qu'il soit ou non imprimé en recto-verso).</p>  | <p>Il y a du toner dans le chemin papier.</p> | <p>Imprimez plusieurs pages vierges à la suite pour enlever le toner.</p> |
| | <p>Un ou plusieurs blocs photoconducteurs sont peut-être défectueux.</p> | <p>Retirez les blocs photoconducteurs et vérifiez leur état. Remplacez-les si nécessaire.</p> |
| <p>Des motifs anormaux (blancs, noirs ou en couleur) se répètent à intervalles réguliers.</p>  | <p>La lentille laser est sale.</p> | <p>Nettoyez la lentille laser.</p> |
| | <p>Un bloc photoconducteur est peut-être défectueux.</p> | <p>Retirez le bloc photoconducteur de la couleur produisant le motif anormal. Remplacez-le par un bloc photoconducteur neuf.</p> |
| <p>L'image présente des défauts.</p>  | <p>La lentille laser est sale.</p> | <p>Nettoyez la lentille laser.</p> |
| | <p>Une cartouche de toner fuit.</p> | <p>Retirez les cartouches de toner et vérifiez leur état. Remplacez-les si nécessaire.</p> |
| | <p>Un bloc photoconducteur est peut-être défectueux.</p> | <p>Retirez le bloc photoconducteur de la couleur produisant le motif anormal. Remplacez-le par un bloc photoconducteur neuf.</p> |
| <p>Des lignes ou bandes latérales apparaissent sur l'image.</p>  | <p>L'imprimante n'est pas de niveau.</p> | <p>Placez l'imprimante sur une surface dure et plane.</p> |
| | <p>Il y a du toner dans le chemin papier.</p> | <p>Imprimez plusieurs pages à la suite pour enlever le toner.</p> |
| | <p>Un ou plusieurs blocs photoconducteurs sont peut-être défectueux.</p> | <p>Retirez les blocs photoconducteurs et vérifiez leur état. Remplacez-les si nécessaire.</p> |

| Symptôme | Cause | Solution |
|---|---|---|
| Les couleurs ne sont absolument pas conformes. | Un ou plusieurs blocs photoconducteurs sont peut-être défectueux. | Retirez les blocs photoconducteurs et vérifiez que le toner est également réparti sur chaque rouleau de cartouche, puis réinstallez les blocs photoconducteurs. |
| | Une ou plusieurs cartouches de toner sont vides ou presque vides. | Vérifiez si le message TONER LOW X (TONER BAS X) ou REPLACE TONER X (REPLAC. TONER X) apparaît sur le panneau de commande. Si nécessaire, remplacez la cartouche de toner indiquée. |
| La mise en registre ne se fait pas correctement. Les couleurs se mélangent et varient d'une page à l'autre. | Un ou plusieurs blocs photoconducteurs sont peut-être défectueux. | Retirez les blocs photoconducteurs et vérifiez leur état. Remplacez-les si nécessaire. |
| | Le support utilisé est humide. | Remplacez le support chargé dans le bac par un support sec. |
| La couleur produite est médiocre ou très faible en densité.  | Un ou plusieurs blocs photoconducteurs sont peut-être défectueux. | Retirez les blocs photoconducteurs et vérifiez leur état. Remplacez-les si nécessaire. |

Messages d'état, d'erreur et de service

Les messages d'état, d'erreur et de service s'affichent à l'écran des messages du panneau de commande. Ils vous donnent des indications sur l'état de fonctionnement de l'imprimante et vous aident à identifier certains problèmes. Ils s'effacent dès que la condition ayant provoqué leur affichage est corrigée.

Messages d'état standard

| Message | Signification | Action |
|----------------------------------|--|---|
| CALIBRATING (ETALONNAGE) | Après le remplacement d'une cartouche de toner ou d'un bloc photoconducteur ou après le redémarrage de l'imprimante pour cause de variations ambiantes, l'imprimante s'interrompt automatiquement pour effectuer un cycle AIDC (Auto-Image Density Control). Ce processus assure un fonctionnement sûr et fiable de l'imprimante et une qualité d'impression optimale. | Aucune action n'est requise. |
| CANCELLING JOB | Le travail est en cours d'annulation. | Aucune action n'est requise. |
| COPYING (COPIE) | L'imprimante imprime avec la fonction Tri activée. | Aucune action n'est requise. |
| ENERGY SAVER (EPARGNE ENERGIE) | L'imprimante est en mode Economie énergie pour réduire la consommation électrique durant ses périodes d'inactivité. Quand elle reçoit un travail d'impression, elle retourne en mode normal. | Aucune action n'est requise. |
| FIRMWARE UPDATE (M-A-J FIRMWARE) | Mise à jour du firmware en cours. | Aucune action n'est requise. |
| INITIALIZING (INITIALISATION) | Initialisation de l'imprimante en cours. | Aucune action n'est requise. |
| PRINTING (impression) | L'imprimante imprime. | Aucune action n'est requise. |
| PROCESSING (TRAITEMENT) | L'imprimante traite des données. | Aucune action n'est requise. |
| READY (PRÊT) | L'imprimante est allumée et prête à recevoir des données. | Aucune action n'est requise. |
| REBOOTING (REDEMARRAGE) | L'imprimante redémarre. | Aucune action n'est requise. |
| WARMING UP (PRECHAUFFAGE) | L'imprimante effectue son cycle de préchauffage. | Aucune action n'est requise. |
| OFFLINE (HORS LIGNE) | L'imprimante est hors ligne. | Pour imprimer en réseau, configurez TELNET pour la mettre en ligne. |

Messages d'erreur (avertissement)

| Message | Signification | Action |
|--|--|--|
| AUTH TIMEOUT (FIN DU DELAI) | L'utilisateur est déconnecté automatiquement en raison de l'authentification du port IEEE 802.1X. | Réautorisez le port IEEE802.1X, puis connectez-vous. |
| DEVICE (PÉRIPHERIQUE) NOT SUPPORTED (NON SUPPORTÉS) | Un périphérique incompatible est connecté. | Ne connectez pas de périphérique incompatible. |
| FUSER UNIT (UNITE FIXATION) END OF LIFE (FIN VIE) | L'unité de fixation est arrivée en fin de vie. | Remplacez l'unité de fixation et réinitialisez le compteur dans le menu MAINTENANCE MENU (MENU MAINTENANCE)/SUPPLIES (FOURNITURES)/REPLACE (REPLACER)/FUSER UNIT (UNITE FIXATION). Remarque : L'impression peut se poursuivre ; cependant, la qualité de l'impression n'est pas garantie. |
| HDD NEAR FULL (ESPACE MINI) | Le disque dur est plein. | Supprimez des travaux d'impression enregistrés sur le disque dur. |
| HUBS (TAMPONS) NOT SUPPORTED (NON SUPPORTÉS) | Un hub USB est connecté. | Ne connectez pas de hub USB. |
| INCORRECT (DISQUE DUR) HDD | Le lecteur de disque dur ayant été formaté avec une machine différente, celui-ci ne peut pas être utilisé. | Remplacez le lecteur de disque dur par un lecteur compatible avec cette machine, ou sélectionnez HDD FORMAT (FORMAT HDD) dans SYS DEFAULT MENU (MENU DEFAUT SYS.) et formatez le disque dur. |
| INCORRECT (DISQUE DUR) P/U X (U/P X) | Le bloc photoconducteur X est de type non homologué. | Installez un bloc photoconducteur Epson de type approprié. Voir « Remplacement d'un bloc photoconducteur » à la page 94. |
| NONGENUINE (NON ORIGINALE) TONER X | La cartouche de toner installée n'est pas un produit Epson authentique. | Il est recommandé d'installer une cartouche de toner authentique. |
| P/U END (FIN U/P) X | Le bloc photoconducteur X est arrivé en fin de vie. | Remplacez le bloc photoconducteur. |

| Message | Signification | Action |
|---|--|--|
| P/U LIFE (VIE U/P) X | Le bloc photoconducteur X est arrivé en fin de vie. | Remplacez le bloc photoconducteur. L'impression se poursuit jusqu'à ce que le message «P/U END (FIN U/P)» s'affiche. |
| P/U LOW (NIV. U/P FAIBL) X | Le bloc photoconducteur X est presque vide. (S'affiche lorsque SYS DEFAULT MENU (MENU DEFAUT SYS.)/ ENABLE WARNING (ACTIVER ALERTES)/P/U LOW (NIV. U/P FAIBL) a la valeur ON (ACTIF).) | Préparez le bloc photoconducteur de la couleur indiquée. |
| PAPER EMPTY (PLUS DE PAPIER) TRAY X (BAC X) | Le bac X (Bac 1, 2 ou 3) est vide. (S'affiche lorsque SYS DEFAULT MENU (MENU DEFAUT SYS.)/ ENABLE WARNING (ACTIVER ALERTES)/PAPER EMPTY (PLUS DE PAPIER)/TRAY X (BAC X) a la valeur ON (ACTIF).) | Chargez du support dans le bac indiqué. |
| | Le bac X (Bac 2 ou 3) est mal installé. (S'affiche lorsque SYS DEFAULT MENU (MENU DEFAUT SYS.)/ ENABLE WARNING (ACTIVER ALERTES)/PAPER EMPTY (PLUS DE PAPIER)/TRAY X (BAC X) a la valeur ON (ACTIF).) | Installez correctement le bac indiqué. |
| PORT AUTH (AUTHENTIF.) ACTIVE | Port IEEE 802.1X en cours de traitement. | Veillez attendre la fin du traitement de l'authentification. |
| REPLACE TONER (REPLAC. TONER) X | La cartouche de toner indiquée est vide. | Remplacez la cartouche de toner indiquée. |
| TONER LOW (TONER BAS) X | La cartouche de toner indiquée est presque vide. (S'affiche lorsque SYS DEFAULT MENU (MENU DEFAUT SYS.)/ ENABLE WARNING (ACTIVER ALERTES)/TONER LOW (TONER BAS) a la valeur ON (ACTIF).) | Préparez la cartouche de toner indiquée. |
| TRANS. BELT (C. TRANSFERT) END OF LIFE (FIN VIE) | L'unité de courroie de transfert est arrivée en fin de vie. | Contactez votre revendeur ou un centre de service autorisé. |
| TRANS. ROLLER (R. TRANSFERT) END OF LIFE (FIN VIE) | Le rouleau de transfert est arrivé en fin de vie. | Contactez votre revendeur ou un centre de service autorisé. |

| Message | Signification | Action |
|---|--|--|
| UNABLE TO (ECHEC) COLLATE JOB (TRI TRAVAIL) | Le disque dur est plein. Les travaux d'impression de plus de 10 000 pages ne peuvent pas être triés. | Imprimez une seule copie du fichier à la fois. |
| WASTE TONER (TONER USE) NEAR FULL (PRESQUE PLEINE) | Le réceptacle de toner usagé est presque plein. | Préparez un nouveau réceptacle de toner usagé. |

Messages d'erreur (appel opérateur)

| Message | Signification | Action |
|---|---|---|
| CONFIGURATION ERR (ERR CONFIGURATION) | La configuration de l'imprimante a été modifiée lorsque l'imprimante était en marche. | Redémarrez l'imprimante. |
| COVER OPEN (CAPOT OUVERT) FRONT COVER (CAPOT AVANT) | Le capot avant de l'imprimante est ouvert. | Fermez le capot avant. |
| COVER OPEN (CAPOT OUVERT) SIDE COVER (CAPOT LATERAL) | Le capot latéral droit de l'imprimante est ouvert. | Fermez le capot latéral droit. |
| COVER OPEN (CAPOT OUVERT) TRAY3 COVER (CAPOT BAC3) | Le capot latéral droit du Bac 3 est ouvert. | Fermez le capot latéral droit du bac. |
| HOLD JOB ERROR (ERR STOCK TRAV.) UNABLE TO (ECHEC) STORE JOB (STOCKAGE TRAV.) | Le travail d'impression spécifié a été envoyé pour enregistrement sur le disque dur mais ce dernier n'est pas installé. | Les travaux d'impression ne peuvent être enregistrés que si un disque dur est installé. Si besoin est, installez un disque dur. |
| HOLD JOB ERROR (ERR STOCK TRAV.) "OPTIONAL" PRESS CANCEL (APPUI CANCEL) | Lors de l'impression d'un travail mémorisé, la configuration de l'imprimante a été modifiée depuis le stockage du travail. | Reconfigurez l'imprimante telle qu'elle l'était quand le travail a été mémorisé. |
| MANUAL EMPTY "SIZE" "MEDIA" | Le Bac 1, désigné dans le pilote de l'imprimante pour l'alimentation manuelle, est vide. | Chargez le support approprié dans le Bac 1. |
| MANUAL FEED (ALIM. MANUELLE) "SIZE" "MEDIA" | La source papier spécifiée dans le pilote de l'imprimante est le Bac 1 (Alimentation manuelle), mais ce bac contient déjà du support lorsque l'impression commence. | Appuyez sur la touche Δ pour imprimer, ou retirez et rechargez le support dans le Bac 1. |

| Message | Signification | Action |
|---|---|---|
| MEMORY FULL (Mémoire Pleine) PRESS CANCEL (APPUI CANCEL) | L'imprimante a reçu plus de données à traiter que sa mémoire interne ne le permet. | Appuyez sur la touche Cancel pour annuler le travail d'impression. Réduisez le volume de données à imprimer, puis relancez l'impression. Si le problème persiste, installez un module de mémoire optionnel. |
| NONGENUINE (NON ORIGINALE) TONER X | La cartouche de toner installée n'est pas un produit Epson authentique. | Il est recommandé d'installer une cartouche de toner authentique. |
| P/U END (FIN U/P) REPLACE (REPLACER) X | Le bloc photoconducteur X est hors d'usage. | Remplacez le bloc photoconducteur. |
| P/U MISSING (U/P MANQUANTE) CHECK X (VERIF. X) | Le bloc photoconducteur X n'est pas installé ou n'est pas d'un type homologué. | Installez un bloc photoconducteur Epson approprié. |
| PAPER EMPTY (PLUS DE PAPIER) "SIZE" "MEDIA" | Le bac spécifié est vide. (S'affiche lorsque PAPER MENU (MENU PAPIER)/PAPER SOURCE (SOURCE PAPIER)/TRAY CHAINING (CHAINAGE BACS) est défini.) | Chargez le support approprié dans le bac indiqué. |
| PAPER ERROR (ERREUR PAPIER) "SIZE" "MEDIA" | Le format/type de support défini dans le pilote de l'imprimante ne correspond pas à celui qui est chargé. (S'affiche lorsque PAPER MENU (MENU PAPIER)/PAPER SOURCE (SOURCE PAPIER)/TRAY CHAINING (CHAINAGE BACS) est défini.) | Chargez le support de format/type approprié. |

| Message | Signification | Action |
|---|---|--|
| PAPER JAM (BOURRAGE) DUPLEX1 (RECTO-VERSO 1) | Il y a un bourrage dans l'unité recto-verso. | Appuyez sur la touche ∇ afin d'afficher l'écran d'aide. Suivez les instructions affichées dans l'écran d'aide pour retirer le support coincé. |
| PAPER JAM (BOURRAGE) DUPLEX2 (RECTO-VERSO 2) | Il y a un bourrage dans l'unité recto-verso. | |
| PAPER JAM (BOURRAGE) SECOND TRANS (TRANSFERT 2) | Il y a un bourrage au niveau de la zone du rouleau de transfert. Ce type de bourrage signifie que le support n'est pas parvenu à la zone de sortie du support. | |
| PAPER JAM (BOURRAGE) TRAY1 (BAC1) | Il y a un bourrage dans le Bac 1. | |
| PAPER JAM (BOURRAGE) TRAY X (BAC X) | Le support est resté coincé en sortie du bac (2 ou 3) indiqué. | |
| PAPER JAM (BOURRAGE) VERTICAL TRANS (TRANS VERT) | Il y a un bourrage au niveau de la zone de transfert verticale. | |
| PAPER JAM (BOURRAGE) FUSER/EXIT (FIXAT/SORTIE) | Il y a un bourrage en sortie de l'unité de fixation. | Appuyez sur la touche ∇ afin d'afficher l'écran d'aide. Suivez les instructions affichées dans l'écran d'aide pour retirer le support coincé. |
| | Les cartouches de toner et les blocs photoconducteurs fournis ne sont pas installés. | Assurez-vous d'installer les cartouches de toner et les blocs photoconducteurs fournis. |
| REPLACE TONER (REPLAC. TONER) X | La cartouche de toner X est complètement vide. | Remplacez la cartouche de toner. |
| TONER MISSING (MANQUE TONER) CHECK X (VERIF. X) | La cartouche de toner X n'est pas installée ou n'est pas d'un type homologué. | Installez une cartouche de toner Epson appropriée. |
| TRAYX EMPTY "SIZE" "MEDIA" | Le bac X (1, 2 ou 3) est spécifié dans le pilote de l'imprimante pour l'impression, mais le bac X est vide. Ce message s'affiche lorsque l'élément de menu PAPER MENU (MENU PAPIER)/PAPER SOURCE (SOURCE PAPIER)/TRAY CHAINING (CHAÎNAGE BACS) a la valeur OFF (DESACTIVE). | Chargez le support approprié dans le bac indiqué. |

| Message | Signification | Action |
|--|---|---|
| TRAYX (BACK) PAPER ERR (ERR. PAP.) "SIZE" "MEDIA" | Le format/type de support défini dans le pilote de l'imprimante ne correspond pas à celui qui est chargé. Ce message s'affiche lorsque l'élément de menu PAPER MENU (MENU PAPIER)/PAPER SOURCE (SOURCE PAPIER)/TRAY CHAINING (CHAÎNAGE BACS) a la valeur OFF (DESACTIVE). | Chargez le support de format/type approprié. |
| TRAYX SIZE ERR (BACK ER FORMAT) ADD (AJOUTER) "SIZE" | Le format de support défini dans le pilote de l'imprimante ne correspond pas à celui qui est chargé. | Chargez le format de support approprié dans le bac indiqué. |
| WASTE TONER FULL (TONER USE PLEIN) REPLACE BOTTLE (REPLACER KIT) | Le réceptacle de toner usagé est plein. | Installez un nouveau réceptacle de toner usagé. |

Messages de service

Ces messages signalent des défauts de fonctionnement plus graves qui ne peuvent être corrigés que par un technicien de maintenance. Dans ce cas, éteignez l'imprimante et rallumez-la. Si le problème persiste, contactez votre revendeur local ou un centre de service autorisé.

| Message | Signification | Action |
|--|--|--|
| SERVICE CALL XXXX (APPEL SERV. XXXX) "Error" | Une erreur a été détectée au niveau du composant «XXXX» indiqué. Des informations sur l'erreur apparaissent en bas de l'écran des messages. | Redémarrez l'imprimante. Cela a souvent pour effet d'effacer le message d'erreur et l'impression peut reprendre. Si le problème persiste, contactez le support technique. |

Chapitre 9

Installation d'accessoires

Introduction

Remarque :

L'utilisation d'accessoires non fabriqués/pris en charge par Epson annulera votre garantie.

| | |
|--|----------------------------|
| Module de mémoire DIMM | Module DIMM de 512 Mo |
| Chargeur papier de 500 feuilles (Bac 3) | Bac de 500 feuilles inclus |
| Lecteur de disque dur | Disque dur SATA |

Remarque :

- Avant d'installer un accessoire, l'imprimante et l'accessoire doivent impérativement être éteints et débranchés de la prise d'alimentation secteur.*
- Cette imprimante ne prend pas en charge les cartes CompactFlash.*

Protection antistatique

Remarque :

Avant toute intervention sur la carte contrôleur de l'imprimante, il est très important de la protéger contre tout dégât pouvant être causé par des décharges d'électricité statique liées à vos manipulations. Avant tout, fermez tous les interrupteurs de courant. Si un bracelet antistatique est fourni dans votre kit d'options pour l'imprimante, attachez un bout de sa lanière à votre poignet, et l'autre bout, sur le châssis nu à l'arrière de l'imprimante. N'attachez jamais la lanière de ce bracelet à un appareil sous tension. Des pièces en matière plastique, caoutchouc, bois ou métal peint, ou des prises téléphoniques, ne sont pas des prises de terre adéquates.

Si vous n'avez pas de bracelet antistatique, déchargez votre corps de toute charge d'électricité statique en touchant une surface reliée à la terre avant de manipuler des cartes ou des composants, ou de retirer la carte contrôleur. Evitez aussi de trop circuler après vous être mis à la terre.

Module de mémoire DIMM

Remarque :

Une extension de mémoire (DIMM) peut être nécessaire pour imprimer des graphiques complexes ou imprimer en recto-verso.

Cette machine ne détecte que la moitié de la capacité totale de mémoire installée.

Les modules de mémoire DIMM (Dual In-line Memory Module) sont des cartes de circuit imprimé compactes, avec des puces de mémoire montées en surface.

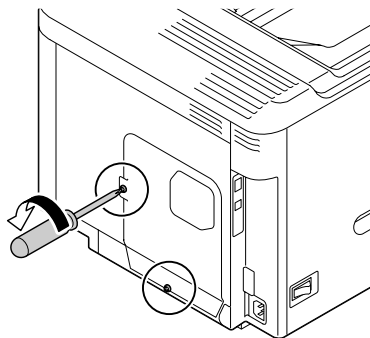
L'imprimante dispose de deux emplacements DIMM. Elle est livrée avec un module de 256 Mo installé dans l'un de ces emplacements. Vous pouvez étendre la mémoire jusqu'à un maximum de 768 Mo (256 Mo + 512 Mo).

Installation d'un module DIMM

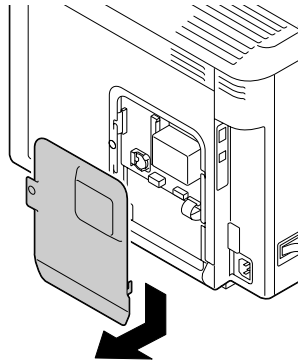
Remarque :

Il est très important de protéger la carte contrôleur de l'imprimante et toutes cartes de circuits associées contre les décharges électrostatiques. Avant cette procédure de remplacement, reportez-vous à la consigne de précaution antistatique « Protection antistatique » à la page 157. En outre, prenez toujours les cartes de circuits imprimés par les bords uniquement.

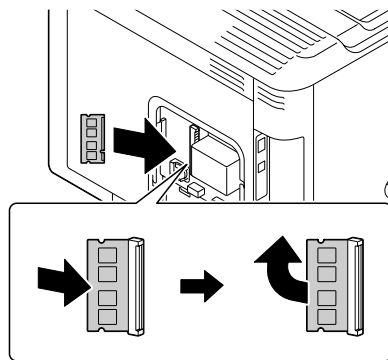
1. Eteignez l'imprimante et débranchez le cordon d'alimentation et les câbles d'interface.
2. A l'aide d'un tournevis, ôtez les deux vis.



- Faites glisser le panneau légèrement vers le bas et dégagez-le de l'imprimante en le soulevant.



- Insérez le module DIMM en angle (environ 45°) dans le connecteur, en vous assurant que l'encoche sur l'unité soit alignée avec la patte sur le connecteur, puis appuyez doucement jusqu'à ce qu'il s'enclenche.



Remarque :

- Veillez à manipuler les modules DIMM par les bords uniquement.
 - Vous entendrez un déclic sur lorsque le module DIMM est correctement positionné.
- Réinstallez le panneau et resserrez les deux vis.
 - Rebranchez tous les câbles d'interface.
 - Rebranchez le cordon d'alimentation et allumez l'imprimante.
 - Déclarez la Printer Memory (Mémoire imprimante) supplémentaire dans le pilote de l'imprimante Windows (Propriétés/onglet Configurer (Configurer)).

9. Imprimez une page de configuration (PRINT MENU (MENU IMPRIMER)/CONFIGURATION PG (PAGE DE CONFIG.)) et vérifiez que la quantité totale de mémoire RAM installée dans votre imprimante est répertoriée.

Lecteur de disque dur (C12C824511)

Si vous installez un lecteur de disque dur, vous pouvez effectuer les tâches suivantes :

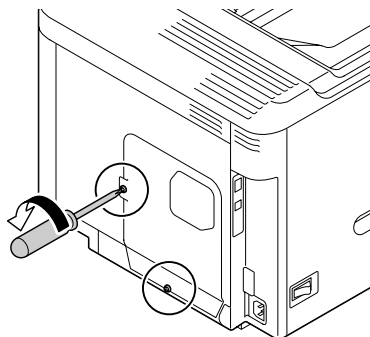
- Tri des imprimés
- Impression/enregistrement de travaux
- Téléchargement de polices et de calques
- Authentification utilisateur/Suivi de compte
- Impression directe

Installation du lecteur de disque dur

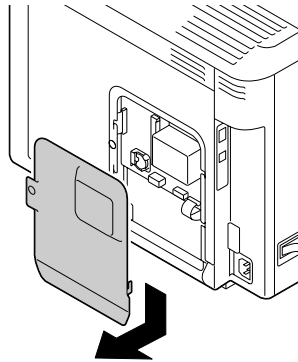
Remarque :

Il est très important de protéger la carte contrôleur de l'imprimante et toutes cartes de circuits associées contre les décharges électrostatiques. Avant cette procédure de remplacement, reportez-vous à la consigne de précaution antistatique« Protection antistatique » à la page 157. En outre, prenez toujours les cartes de circuits imprimés par les bords uniquement.

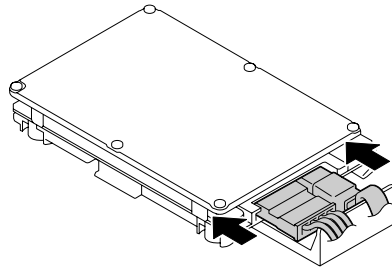
1. Eteignez l'imprimante et débranchez le cordon d'alimentation et les câbles d'interface.
2. A l'aide d'un tournevis, ôtez les deux vis.



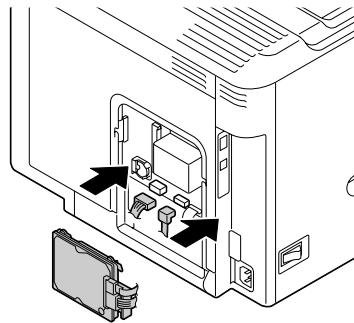
3. Faites glisser le panneau légèrement vers le bas et dégagez-le de l'imprimante en le soulevant.



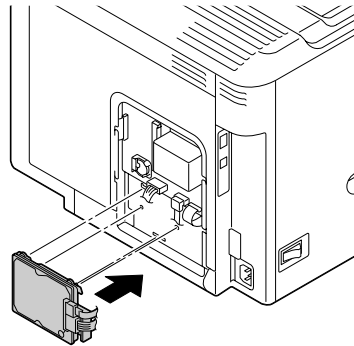
4. Reliez les deux câbles au lecteur de disque dur.



5. Branchez les deux câbles sur le lecteur de disque dur dans le connecteur.



6. Introduisez les quatre picots de montage du lecteur de disque dur dans les trous prévus à cet effet pour monter le lecteur de disque dur.



7. Réinstallez le panneau et resserrez les deux vis.
8. Rebranchez tous les câbles d'interface.
9. Rebranchez le cordon d'alimentation et allumez l'imprimante.
10. Déclarez le Hard Disk (Disque dur) dans le pilote de l'imprimante Windows (Propriétés/onglet Configurer (Configurer)).

Chargeur papier de 500 feuilles (C12C802651)

Vous pouvez installer un chargeur papier de 500 feuilles en option (Bac 3).

Installation d'un chargeur papier de 500 feuilles

Remarque :

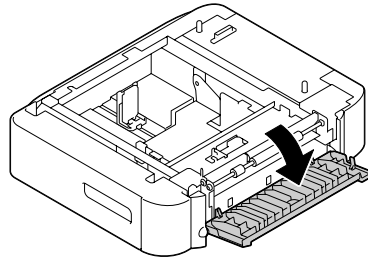
Si des consommables sont installés dans l'imprimante, veillez à la déplacer en la maintenant de niveau pour éviter toute dispersion.

1. Eteignez l'imprimante et débranchez le cordon d'alimentation et les câbles d'interface.
2. Préparez le chargeur papier de 500 feuilles.

Remarque :

Veillez à déposer le chargeur papier de 500 feuilles sur une surface plane.

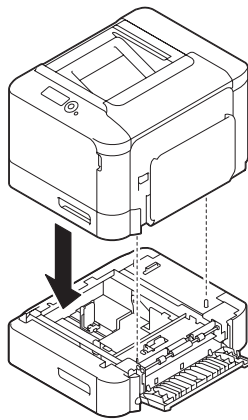
3. Ouvrez le capot latéral droit du chargeur papier de 500 feuilles.



Remarque :

Avant d'installer le chargeur papier de 500 feuilles dans l'imprimante, son capot latéral droit doit être ouvert.

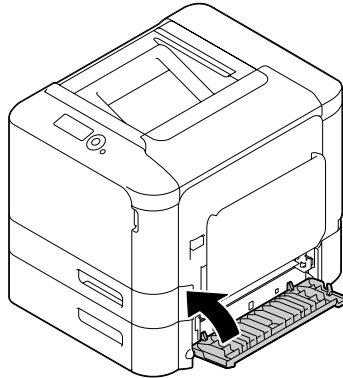
4. Avec l'aide d'une autre personne, placez l'imprimante sur le chargeur papier de 500 feuilles, en vous assurant que les picots de placement situés sur le chargeur papier de 500 feuilles entrent bien dans les trous correspondants à la base de l'imprimante.



Avertissement :

Avec tous ses consommables installés, cette imprimante pèse environ 27 kg (60 lb). Pour la soulever, deux personnes sont nécessaires.

5. Fermez le capot latéral droit du chargeur papier de 500 feuilles.



6. Rebranchez tous les câbles d'interface.
7. Rebranchez le cordon d'alimentation et allumez l'imprimante.
8. Déclarez la Paper Source Unit 3 (Source papier Unité 3) dans le pilote de l'imprimante Windows (Propriétés/onglet Configure (Configurer)).

*Annexe A***Annexe****Spécifications techniques****Imprimante**

| | | |
|--------------------------|--|--|
| Type | Imprimante laser couleur de bureau au format A4 de type Tandem | |
| Système d'impression | Système d'impression électro-photographique | |
| Système d'exposition | 4 diodes laser et 1 miroir polygonal | |
| Système de développement | SMT mono-composant | |
| Résolution | 600 dpi × 600 dpi × 3 bits | |
| Formats des supports | Bac 1 | Largeur de papier : 92 à 216 mm Longueur de papier : 148 à 356 mm |
| | Bac 2 | Largeur de papier : 92 à 216 mm Longueur de papier : 148 à 297 mm |
| | Bac 3 | B5 (JIS) - Legal |
| Papier/Support | <input type="checkbox"/> Papier standard (60 à 90 g/m ²) <input type="checkbox"/> Papier recyclé (60 à 90 g/m ²) <input type="checkbox"/> Enveloppes <input type="checkbox"/> Papier en-tête <input type="checkbox"/> Etiquettes <input type="checkbox"/> Epais 1 (91 à 150 g/m ²) <input type="checkbox"/> Epais 2 (151 à 210 g/m ²) <input type="checkbox"/> Cartes postales <input type="checkbox"/> Brillant 1 (100 à 128 g/m ²) <input type="checkbox"/> Brillant 2 (129 à 158 g/m ²) <input type="checkbox"/> Papier recto seul (60 à 90 g/m ²) <input type="checkbox"/> Papier spécial (60 à 90 g/m ²) | |

| | | |
|-------------------------|--|--|
| Capacité d'alimentation | Bac 1 | Papier standard/recyclé/recto seul/spécial : 100 feuilles Enveloppes : 10 enveloppes Etiquettes/Cartes postales/Epais 1/Epais 2/Brillant 1/Brillant 2/ Papier en-tête : 20 feuilles |
| | Bac 2 | Papier standard/recyclé/recto seul/spécial : 250 feuilles Etiquettes/Cartes postales/Epais 1/Epais 2/Brillant 1/Brillant 2/ Papier en-tête : 20 feuilles |
| | Bac 3 | Papier standard/recyclé/recto seul/spécial : 500 feuilles |
| Capacité de sortie | Bac de sortie | 200 feuilles (papier standard : 80 g/m ²) |
| Température ambiante | 10 à 30° C (50 à 86° F) Remarque : Fluctuations ne dépassant pas 10°C (18°F) dans une période d'une heure. | |
| Humidité ambiante | 15 à 85 % Remarque : Fluctuations ne dépassant pas 10 % dans une période d'une heure. | |
| Alimentation électrique | 120 V CA, 60 Hz 220 à 240 V CA, 50 à 60 Hz | |
| Consommation électrique | 120 V CA : 1100 W ou moins 220 à 240 V CA : 1200 W ou moins Mode Economie énergie : 15 W ou moins | |
| Intensité du courant | 120 V CA : 8,8 A ou moins 220 à 240 V CA : 4,6 A ou moins | |
| Niveau de bruit | Impression : 54 dB ou moins Veille : 39 dB ou moins | |
| Dimensions externes | Hauteur : 330 mm (13,0 pouces) Largeur : 444 mm (17,5 pouces) Profondeur : 531 mm (20,9 pouces) Remarque : Pièces en saillie et bac d'alimentation manuelle exclus. | |

| | |
|------------------|---|
| Poids | Epson AcuLaser C3900N : environ 22 kg (49 lb) sans consommables environ 27 kg (60 lb) avec consommables Epson AcuLaser C3900DN : environ 23 kg (51 lb) sans consommables environ 27 kg (60 lb) avec consommables |
| Interface | Compatible USB 2.0 (haute vitesse), Ethernet 10Base-T/100Base-TX/1000Base-T, USB hôte (impression depuis un périphérique USB) |
| Mémoire standard | 256 Mo |

Index

| | | | |
|--------------------------------------|-----|---|-----|
| A | | I | |
| Accessoires..... | 157 | Imprimante | |
| Chargeur papier de 500 feuilles..... | 162 | Composants..... | 16 |
| Lecteur de disque dur..... | 160 | | |
| Modules DIMM..... | 158 | | |
| B | | L | |
| Bac de sortie..... | 85 | Lecteur de disque dur..... | 160 |
| Bourrages papier | | | |
| Bac 1..... | 136 | | |
| Bac 2..... | 125 | | |
| Bac 3..... | 128 | | |
| Rouleau de transfert..... | 136 | | |
| Unité de fixation..... | 132 | | |
| Unité recto-verso en option..... | 131 | | |
| C | | M | |
| Cartes postales..... | 70 | Mémoire directe..... | 61 |
| Chargement des supports..... | 75 | Menu Configuration..... | 31 |
| Chargeur papier de 500 feuilles..... | 162 | Messages..... | 149 |
| Consommables | | Messages d'erreur..... | 151 |
| Bloc photoconducteur..... | 94 | Messages de service..... | 156 |
| Cartouche de toner..... | 87 | Module de mémoire DIMM..... | 158 |
| Pile auxiliaire..... | 104 | | |
| Réceptacle de toner usé..... | 101 | | |
| D | | P | |
| Décharge électrostatique..... | 157 | Panneau de commande..... | 29 |
| | | Papier en-tête..... | 69 |
| | | Papier spécial..... | 72 |
| | | Papier standard..... | 65 |
| | | Pièces d'entretien | |
| | | Unité de fixation..... | 106 |
| | | Pilote de l'imprimante (Postscript, PCL)..... | 22 |
| | | Désinstallation..... | 21 |
| | | My Tab..... | 24 |
| | | Onglet Autres..... | 28 |
| | | Onglet Avancé..... | 24 |
| | | Onglet Filigrane/Calque..... | 26 |
| | | Onglet Mise en page..... | 25 |
| | | Onglet Paramétrage par page..... | 26 |
| | | Onglet Qualité..... | 27 |
| | | Onglet Standard..... | 24 |
| | | Pilote de l'imprimante (PPD) | |
| | | Désinstallation..... | 21 |
| | | Prévention des bourrages papier..... | 123 |
| | | Problèmes de bourrage..... | 138 |
| | | Prévention..... | 123 |
| | | Suppression..... | 124 |
| E | | | |
| Ecran des messages..... | 30 | | |
| Entretien..... | 111 | | |
| Enveloppes..... | 67 | | |
| Étiquettes..... | 68 | | |

Protection antistatique.....157

Q

Qualité d'impression.....145

R

Recto seul.....72

Recto-verso.....83

Résolution de problèmes.....123

S

Stockage des supports.....85

Support

Surface imprimable.....73

Support brillant.....71

Support épais.....67

Supports

Chargement.....75

Prévention des bourrages.....123

Suppression des bourrages.....124

Surface imprimable.....73

T

Type de support

Cartes postales.....70

Enveloppes.....67

Étiquettes.....68

Papier en-tête.....69

Papier spécial.....72

Papier standard.....65

Recto seul.....72

Support brillant.....71

Support épais.....67