



Epson AcuLaser C3900 Series

Guia do usuário

NPD4278-02 PT

Aviso de direitos de autor

Nenhuma parte desta publicação pode ser reproduzida, arquivada ou transmitida em qualquer formato ou por qualquer meio, mecânico, fotocópia, gravação ou outro, sem a autorização prévia, por escrito, da Seiko Epson Corporation. Não é assumida nenhuma responsabilidade relacionada com patentes, no que diz respeito às informações contidas neste manual. Também não é assumida nenhuma responsabilidade por danos resultantes da utilização das informações contidas neste manual.

Nem a Seiko Epson Corporation, nem as suas filiais, se responsabilizam perante o comprador deste produto, ou perante terceiros, por danos, perdas, custos ou despesas incorridos pelo comprador ou por terceiros em resultado de: acidentes, utilização incorrecta ou abusos do produto, modificações não autorizadas, reparações ou alterações do produto, ou (exceptuando os E.U.A.) pelo incumprimento das instruções de funcionamento e manutenção da Seiko Epson Corporation.

Nem a Seiko Epson Corporation, nem as suas filiais serão responsáveis por quaisquer danos ou problemas decorrentes da utilização de quaisquer opções ou consumíveis que não sejam os designados como Produtos Epson Originais ou Produtos Aprovados Epson pela Seiko Epson Corporation.

EPSON é uma marca comercial registada e Epson AcuLaser é uma marca comercial ou uma marca comercial registada da Seiko Epson Corporation.

Contrato de licença do software

Esta embalagem contém os seguintes materiais fornecidos pela Seiko Epson Corporation (Epson): software incluído como parte do sistema de impressão (“Software de Impressão”), os dados delineados interpretados por máquinas codificados digitalmente no formato especial e de forma encriptada (“Programas de Fontes”), outro software que seja executado num sistema informático para utilização em conjunto com o Software de Impressão (“Software Anfitrião”) e respectivos materiais explicativos por escrito (“Documentação”). O termo “Software” deve ser utilizado para descrever o Software de Impressão, Programas de Fontes e/ou Software Anfitrião e também inclui quaisquer actualizações, versões modificadas, adições e cópias do Software.

O Software é-lhe licenciado de acordo com os termos do presente acordo.

A Epson concede-lhe uma sub-licença não exclusiva de utilização do software e documentação desde que concorde com o seguinte:

1. Pode utilizar o software e os Programas de Fontes que o acompanham para a representação gráfica do(s) dispositivo(s) de saída, apenas para os seus próprios fins empresariais.
2. Para além das licenças para os Programas de Fontes estipuladas na Secção 1 acima, pode utilizar os Programas de Fontes Roman para reproduzir pesos, estilos e versões de letras, algarismos, caracteres e símbolos (“Tipos de letra”) no ecrã ou monitor para os seus próprios fins empresariais.

3. Pode efectuar apenas uma cópia de segurança do Software Anfitrião, desde que a sua cópia de segurança não seja instalada ou utilizada em qualquer computador. Não obstante as restrições acima apresentadas, pode instalar o Software Anfitrião em qualquer número de computadores apenas para utilização com um ou mais sistemas de impressão que executam o Software de Impressão.
4. Pode consignar os seus direitos sob este acordo para um cessionário relativamente a todos os direitos e interesses do licenciado para esse software e documentação (“Licenciado”) desde que transfira para o licenciado todas as cópias desse software e documentação. O licenciado concorda em respeitar todos os termos e condições do presente acordo.
5. Concorde em não modificar, adaptar ou traduzir o software e documentação.
6. Concorde em não tentar alterar, desmontar, decifrar, aplicar engenharia inversa ou descompilar o software.
7. A posse e propriedade do software e documentação e quaisquer reproduções dos mesmos devem continuar a pertencer à Epson e ao seu licenciador.
8. As marcas comerciais devem ser utilizadas de acordo com a prática de marcas comerciais aceite, incluindo a identificação do nome do proprietário da marca comercial. As marcas comerciais apenas podem ser utilizadas para identificar a impressão produzida pelo software. A utilização de qualquer marca comercial não lhe concede os direitos de propriedade dessa marca comercial.
9. Não pode alugar, arrendar, sublicenciar, emprestar ou transferir versões ou cópias do software que o licenciado não utilize ou do software contido em qualquer material não utilizado, excepto como parte da transferência permanente de todo o software e documentação conforme acima descrito.
10. EM NENHUM CASO A EPSON OU O SEU LICENCIADOR SERÁ RESPONSÁVEL PERANTE SI FACE A QUAISQUER DANOS CONSEQUENTES, INDIRECTOS ACIDENTAIS, PUNITIVOS OU ESPECIAIS, INCLUINDO QUALQUER PERDA DE LUCROS OU PERDA DE ECONOMIA, MESMO QUE A EPSON TENHA SIDO AVISADA FACE À POSSIBILIDADE DESSES DANOS OU POR QUALQUER QUEIXA EFECTUADA POR TERCEIROS. A EPSON OU O SEU LICENCIADOR EXCLUI A RESPONSABILIDADE DE TODAS AS GARANTIAS RELATIVAMENTE AO SOFTWARE, IMPLÍCITA OU EXPLICITAMENTE, INCLUINDO, SEM GARANTIAS IMPLÍCITAS DE LIMITAÇÃO DE COMERCIALIZAÇÃO, ADEQUAÇÃO A UM OBJECTIVO EM PARTICULAR, POSSE E NÃO INFRACÇÃO DOS DIREITOS DE TERCEIROS. ALGUNS ESTADOS OU JURISDIÇÕES NÃO PERMITEM A EXCLUSÃO OU LIMITAÇÃO DE DANOS ACIDENTAIS, CONSEQUENTES OU ESPECIAIS, PELO QUE AS LIMITAÇÕES ACIMA APRESENTADAS PODEM NÃO LHE SER APLICÁVEIS.

11. Aviso para os utilizadores finais do governo: O software é um “item comercial” conforme o termo é definido em 48 C.F.R.2.101, sendo composto por “software informático comercial” e “documentação do software informático comercial” conforme os termos utilizados em 48 C.F.R. 12.212. Em consonância com 48 C.F.R. 12.212 e 48 C.F.R. 227.7202-1 a 227.7202-4, todos os utilizadores finais do governo dos EUA adquirem o software com apenas os direitos definidos neste documento.
12. Concorde em não exportar o software para não violando as leis e regulamentos aplicáveis relativamente ao controlo de exportação dos países.

About Adobe Color Profile

ADOBE SYSTEMS INCORPORATED COLOR PROFILE LICENSE AGREEMENT

NOTICE TO USER: PLEASE READ THIS CONTRACT CAREFULLY. BY USING ALL OR ANY PORTION OF THE SOFTWARE YOU ACCEPT ALL THE TERMS AND CONDITIONS OF THIS SOFTWARE YOU ACCEPT ALL THE TERMS AND CONDITIONS OF THIS AGREEMENT. IF YOU DO NOT AGREE WITH THE TERMS OF THIS AGREEMENT, DO NOT USE THE SOFTWARE.

1. **DEFINITIONS** In this Agreement, “Adobe” means Adobe Systems Incorporated, a Delaware corporation, located at 345 Park Avenue, San Jose, California 95110. “Software” means the software and related items with which this Agreement is provided.
2. **LICENSE** Subject to the terms of this Agreement, Adobe hereby grants you the worldwide, non-exclusive, nontransferable, royalty-free license to use, reproduce and publicly display the Software. Adobe also grants you the rights to distribute the Software only (a) as embedded within digital image files and (b) on a standalone basis. No other distribution of the Software is allowed; including, without limitation, distribution of the Software when incorporated into or bundled with any application software. All individual profiles must be referenced by their ICC Profile description string. You may not modify the Software. Adobe is under no obligation to provide any support under this Agreement, including upgrades or future versions of the Software or other items. No title to the intellectual property in the Software is transferred to you under the terms of this Agreement. You do not acquire any rights to the Software except as expressly set forth in this Agreement.

3. **DISTRIBUTION** If you choose to distribute the Software, you do so with the understanding that you agree to defend, indemnify and hold harmless Adobe against any losses, damages or costs arising from any claims, lawsuits or other legal actions arising out of such distribution, including without limitation, your failure to comply with this Section 3. If you distribute the Software on a standalone basis, you will do so under the terms of this Agreement or your own license agreement which (a) complies with the terms and conditions of this Agreement; (b) effectively disclaims all warranties and conditions, express or implied, on behalf of Adobe; (c) effectively excludes all liability for damages on behalf of Adobe; (d) states that any provisions that differ from this Agreement are offered by you alone and not Adobe and (e) states that the Software is available from you or Adobe and informs licensees how to obtain it in a reasonable manner on or through a medium customarily used for software exchange. Any distributed Software will include the Adobe copyright notices as included in the Software provided to you by Adobe.

4. **DISCLAIMER OF WARRANTY** Adobe licenses the Software to you on an “AS IS” basis. Adobe makes no representation as to the adequacy of the Software for any particular purpose or to produce any particular result. Adobe shall not be liable for loss or damage arising out of this Agreement or from the distribution or use of the Software or any other materials. **ADOBE AND ITS SUPPLIERS DO NOT AND CANNOT WARRANT THE PERFORMANCE OR RESULTS YOU MAY OBTAIN BY USING THE SOFTWARE, EXCEPT FOR ANY WARRANTY, CONDITION, REPRESENTATION OR TERM TO THE EXTENT TO WHICH THE SAME CANNOT OR MAY NOT BE EXCLUDED OR LIMITED BY LAW APPLICABLE TO YOU IN YOUR JURISDICTION, ADOBE AND ITS SUPPLIERS MAKE NO WARRANTIES, CONDITIONS, REPRESENTATIONS OR TERMS, EXPRESS OR IMPLIED, WHETHER BY STATUTE, COMMON LAW, CUSTOM, USAGE OR OTHERWISE AS TO ANY OTHER MATTERS, INCLUDING BUT NOT LIMITED TO NON-INFRINGEMENT OF THIRD PARTY RIGHTS, INTEGRATION, SATISFACTORY QUALITY OR FITNESS FOR ANY PARTICULAR PURPOSE. YOU MAY HAVE ADDITIONAL RIGHTS WHICH VARY FROM JURISDICTION TO JURISDICTION.** The provisions of Sections 4, 5 and 6 shall survive the termination of this Agreement, howsoever caused, but this shall not imply or create any continued right to use the Software after termination of this Agreement.

5. **LIMITATION OF LIABILITY IN NO EVENT WILL ADOBE OR ITS SUPPLIERS BE LIABLE TO YOU FOR ANY DAMAGES, CLAIMS OR COSTS WHATSOEVER OR ANY CONSEQUENTIAL, INDIRECT, INCIDENTAL DAMAGES, OR ANY LOST PROFITS OR LOST SAVINGS, EVEN IF AN ADOBE REPRESENTATIVE HAS BEEN ADVISED OF THE POSSIBILITY OF SUCH LOSS, DAMAGES, CLAIMS OR COSTS OR FOR ANY CLAIM BY ANY THIRD PARTY. THE FOREGOING LIMITATIONS AND EXCLUSIONS APPLY TO THE EXTENT PERMITTED BY APPLICABLE LAW IN YOUR JURISDICTION. ADOBE'S AGGREGATE LIABILITY AND THAT OF ITS SUPPLIERS UNDER OR IN CONNECTION WITH THIS AGREEMENT SHALL BE LIMITED TO THE AMOUNT PAID FOR THE SOFTWARE.** Nothing contained in this Agreement limits Adobe's liability to you in the event of death or personal injury resulting from Adobe's negligence or for the tort of deceit (fraud). Adobe is acting on behalf of its suppliers for the purpose of disclaiming, excluding and/or limiting obligations, warranties and liability as provided in this Agreement, but in no other respects and for no other purpose.
6. **TRADEMARKS** Adobe and the Adobe logo are the registered trademarks or trademarks of Adobe in the United States and other countries. With the exception of referential use, you will not use such trademarks or any other Adobe trademark or logo without separate prior written permission granted by Adobe.
7. **TERM** This Agreement is effective until terminated. Adobe has the right to terminate this Agreement immediately if you fail to comply with any term hereof. Upon any such termination, you must return to Adobe all full and partial copies of the Software in your possession or control.
8. **GOVERNMENT REGULATIONS** If any part of the Software is identified as an export controlled item under the United States Export Administration Act or any other export law, restriction or regulation (the "Export Laws"), you represent and warrant that you are not a citizen, or otherwise located within, an embargoed nation (including without limitation Iran, Iraq, Syria, Sudan, Libya, Cuba, North Korea, and Serbia) and that you are not otherwise prohibited under the Export Laws from receiving the Software. All rights to use the Software are granted on condition that such rights are forfeited if you fail to comply with the terms of this Agreement.
9. **GOVERNING LAW** This Agreement will be governed by and construed in accordance with the substantive laws in force in the State of California as such laws are applied to agreements entered into and to be performed entirely within California between California residents. This Agreement will not be governed by the conflict of law rules of any jurisdiction or the United Nations Convention on Contracts for the International Sale of Goods, the application of which is expressly excluded. All disputes arising out of, under or related to this Agreement will be brought exclusively in the state Santa Clara County, California, USA.

10. **GENERAL** You may not assign your rights or obligations granted under this Agreement without the prior written consent of Adobe. None of the provisions of this Agreement shall be deemed to have been waived by any act or acquiescence on the part of Adobe, its agents, or employees, but only by an instrument in writing signed by an authorized signatory of Adobe. When conflicting language exists between this Agreement and any other agreement included in the Software, the terms of such included agreement shall apply. If either you or Adobe employs attorneys to enforce any rights arising out of or relating to this Agreement, the prevailing party shall be entitled to recover reasonable attorneys' fees. You acknowledge that you have read this Agreement, understand it, and that it is the complete and exclusive statement of your agreement with Adobe which supersedes any prior agreement, oral or written, between Adobe and you with respect to the licensing to you of the Software. No variation of the terms of this Agreement will be enforceable against Adobe unless Adobe gives its express consent, in writing, signed by an authorized signatory of Adobe.

ICC Profile for TOYO INK Standard Color on Coated paper (TOYO Offset Coated 3.0)

This ICC Profile (TOYO Offset Coated 3.0) characterizes Japanese offset press on Coated paper and is fully compatible with ICC profile format.

About “TOYO INK Standard Color on Coated paper”

This is the standard for color reproduction of sheet-fed offset press on Coated paper made by TOYO INK MFG.CO., LTD. (“TOYO INK”).

This standard is made from printing test with using TOYO INK's sheet-fed offset printing inks and TOYO INK's own printing conditions.

“TOYO INK Standard Color on Coated paper” is compatible with “JAPAN COLOR”.

Agreement

1. The reproduction of images on a printed material or a monitor using this ICC Profile do not always match the TOYO INK Standard Color on Coated paper.
2. In no event will TOYO INK, its directors, officers, employees or agents be liable to you for any damages whether direct or indirect or, consequential or incidental (including damages for loss of business profits, business interruption, loss of business information, and the like) arising out of the use or inability to use this ICC Profile.
3. Any and all copyrights of this ICC Profile shall remain in TOYO INK; therefore you shall not transfer, provide, rent, distribute, disclose, or grant any rights in this ICC Profile to any third party without the prior written consent of TOYO INK.

4. TOYO INK shall not be responsible for answering any questions related to this ICC Profile.
5. All company names and product names used in this document are the trademarks or registered trademarks of their respective holder.
6. This ICC Profile is made by X-Rite ProfileMaker and granted TOYO INK certain license to distribute by X-Rite, Inc..

TOYO Offset Coated 3.0 © TOYO INK MFG. CO., LTD. 2010

DIC STANDARD COLOR PROFILE LICENSE AGREEMENT

IMPORTANT: PLEASE READ THIS STANDARD COLOR PROFILE LICENSE AGREEMENT (“LICENSE AGREEMENT”) CAREFULLY BEFORE USING THE DIC STANDARD COLOR PROFILE, INCLUDING THE DIC STANDARD SFC_AM2.0, DIC STANDARD SFM_AM2.0, DIC STANDARD SFU_AM2.0, DIC STANDARD SFC_FM2.0, DIC WAKIMIZU SFC_AM2.0, DIC WAKIMIZU SFC_FM2.0, DIC ABILIO SFC_AM1.0, DIC HY-BRYTE SFC_AM1.0, DIC STANDARD WEBC_AM2.1, DIC STANDARD WEBC_FM2.1, DIC NEWSCOLOR_AM1.0, DIC NEWSCOLOR_FM1.0, PROVIDED BY DIC HERewith, AND ANY CORRESPONDING ONLINE OR ELECTRONIC DOCUMENTATION AND ALL UPDATES OR UPGRADES OF THE ABOVE THAT ARE PROVIDED TO YOU (COLLECTIVELY, THE “PROFILE”).

THIS LICENSE AGREEMENT IS A LEGAL AGREEMENT BETWEEN YOU (EITHER AN INDIVIDUAL OR, IF ACQUIRED BY OR FOR AN ENTITY, AN ENTITY) AND DIC CORPORATION, A JAPANESE COMPANY (“DIC”). THIS LICENSE AGREEMENT PROVIDES A LICENSE TO USE THE PROFILE AND CONTAINS WARRANTY INFORMATION AND LIABILITY DISCLAIMERS. IF YOU DO NOT AGREE TO BE BOUND BY ALL OF THESE TERMS, YOU MAY NOT USE THE PROFILE.

1. License Grant

DIC grants you a gratis non-exclusive and non-transferable license to use the Profile and to allow your employees and authorized agents, if any, to use the Profile, solely in connection with their work for you, subject to all of the limitations and restrictions in this License Agreement.

2. Ownership

The foregoing license gives you limited license to use the Profile. You will own the rights in the media containing the recorded Profile, but DIC retains all right, title and interest, including all copyright and intellectual property rights, in and to, the Profile and all copies thereof. All rights not specifically granted in this License Agreement, including all copyrights, are reserved by DIC.

3. Term
 - a. This License Agreement is effective until terminated.
 - b. You may terminate this License Agreement by notifying DIC in writing of your intention to terminate this License Agreement and by destroying, all copies of the Profile in your possession or control.
 - c. DIC may terminate this License Agreement without prior notice to you if you fail to comply with any of the terms and conditions of this License Agreement (either directly or through your employees or agents), retroactive to the time of such failure to comply. In such event, you must immediately stop using the Profile and destroy all copies of the Profile in your possession or control.
 - d. All provisions in this License Agreement relating to warranty disclaimers (Section 5) and the limitation of liability (Section 6) shall survive any termination of this License Agreement.

4. License Method and Restrictions
 - a. You may install and use the Profile on a single desktop computer; provided, however, that, notwithstanding anything contrary contained herein, you may not use the Profile on any network system or share, install or use the Profile concurrently on different computers, or electronically transfer the Profile from one computer to another or over a network.
 - b. You may not make or distribute copies, fix, alter, merge, modify, adapt, sublicense, transfer, sell, rent, lease, gift or distribute all or a portion of the Profile, or modify the Profile or create derivative works based upon the Profile.
 - c. You acknowledge that the Profile is not intended for any usage which may cause death or physical injury or environmental damage and agree not to use the Profile for such usage.
 - d. You shall not use the Profile to develop any software or other technology having the same primary function as the Profile, including but not limited to using the Profile in any development or test procedure that seeks to develop like software or other technology, or to determine if such software or other technology performs in a similar manner as the Profile.
 - e. DIC and other trademarks contained in the Profile are trademarks or registered trademarks of DIC in Japan and/or other countries. You may not remove or alter any trademark, trade names, product names, logo, copyright or other proprietary notices, legends, symbols or labels in the Profile. This License Agreement does not authorize you to use DIC's or its licensors' names or any of their respective trademarks.

5. WARRANTY DISCLAIMER

a. THE PROFILE IS PROVIDED TO YOU FREE OF CHARGE, AND ON AN “AS-IS” BASIS, IN ACCORDANCE WITH THE TERMS AND COONDITIONS OF THIS LICENSE AGREEMENT. DIC PROVIDES NO TECHNICAL SUPPORT, WARRANTIES OR REMEDIES FOR THE PROFILE.

b. DIC DISCLAIMS ALL WARRANTIES AND REPRESENTATIONS, WHETHER EXPRESS, IMPLIED, OR OTHERWISE, INCLUDING BUT NOT LIMITED TO, THE WARRANTIES OF MERCHANTABILITY OR FITNESS FOR A PARTICULAR PURPOSE, NON-INFRINGEMENT, TITLE AND QUIET ENJOYMENT. YOU SHALL ASSUME AND BE FULLY LIABLE AND RESPONSIBLE FOR ALL RISKS IN CONNECTION WITH YOUR USE OF THE PROFILE. DIC DOES NOT WARRANT THAT THE PROFILE IS FREE OF DEFECTS OR FLAWS OR WILL OPERATE WITHOUT INTERRUPTION, AND IS NOT RESPONSIBLE FOR CORRECTING OR REPAIRING ANY DEFECTS OR FLAWS, FOR FEE OR GRATIS. NO RIGHTS OR REMEDIES WILL BE CONFERRED ON YOU UNLESS EXPRESSLY GRANTED HEREIN.

6. LIMITATION OF LIABILITY

DIC SHALL NOT BE LIABLE TO YOU OR ANY THIRD PARTY FOR ANY DIRECT, INDIRECT, SPECIAL, INCIDENTAL, PUNITIVE, COVER OR CONSEQUENTIAL DAMAGES (INCLUDING, BUT NOT LIMITED TO, DAMAGES FOR THE INABILITY TO USE EQUIPMENT OR ACCESS DATA, LOSS OF BUSINESS, LOSS OF PROFITS, BUSINESS INTERRUPTION OR THE LIKE), ARISING OUT OF THE USE OF, OR INABILITY TO USE, THE PROFILE AND BASED ON ANY THEORY OF LIABILITY INCLUDING BREACH OF CONTRACT, BREACH OF WARRANTY, TORT (INCLUDING NEGLIGENCE), PRODUCT LIABILITY OR OTHERWISE, EVEN IF DIC OR ITS REPRESENTATIVES HAVE BEEN ADVISED OF THE POSSIBILITY OF SUCH DAMAGES.

THE FOREGOING LIMITATIONS ON LIABILITY SHALL APPLY TO ALL ASPECTS OF THIS LICENSE AGREEMENT.

7. General

a. This License Agreement shall be governed and construed in accordance with the laws of Japan, without giving effect to principles of conflict of laws. If any provision of this License Agreement shall be held by a court of competent jurisdiction to be contrary to law, that provision will be enforced to the maximum extent permissible, and the remaining provisions of this License Agreement will remain in full force and effect. You hereby consent to the exclusive jurisdiction and venue of Tokyo District Court to resolve any disputes arising under this License Agreement.

b. This License Agreement contains the complete agreement between the parties with respect to the subject matter hereof, and supersedes all prior or contemporaneous agreements or understandings, whether oral or written. You agree that any varying or additional terms contained in any written notification or document issued by you in relation to the Profile licensed hereunder shall be of no effect.

c. The failure or delay of DIC to exercise any of its rights under this License Agreement or upon any breach of this License Agreement shall not be deemed a waiver of those rights or of the breach.

Índice de Conteúdo

Contrato de licença do software.	2
About Adobe Color Profile.	4
ICC Profile for TOYO INK Standard Color on Coated paper (TOYO Offset Coated 3.0).	7
DIC STANDARD COLOR PROFILE LICENSE AGREEMENT.	8

Capítulo 1 Introdução

Familiarização com a impressora.	15
Requisitos de espaço.	15
Peças da impressora.	16
Disco de software.	17
Controladores PostScript/Controladores PCL.	17
Ficheiros PPD.	18
Documentação.	18
Requisitos de sistema.	18

Capítulo 2 Utilizar o controlador de impressão

Seleccionar as opções/padrões do controlador (para o Windows).	20
Desinstalar o controlador de impressão (para o Windows).	21
Utilizar o controlador de impressão PostScript e PCL.	21
Botões comuns.	21
Separador Advanced (Avançadas) (apenas para o controlador de impressão PostScript).	24
My Tab (Minha guia).	24
Separador Basic (Básico).	24
Separador Layout.	25
Separador Cover Page (Configuração por página).	26
Separador Watermark/Overlay (Marca d'água/Sobreposição).	26
Separador Quality (Qualidade).	27
Separador Other (Outras).	28
Limitações das funções do controlador de impressão instaladas com Point and Print (Apontar e imprimir).	28

Capítulo 3 **Painel de controlo e Menu de configuração da impressora**

Acerca do painel de controlo.	29
Indicadores e teclas do painel de controlo.	29
Janela de mensagens.	30
Ecrãs de ajuda.	31
Descrição geral do menu de configuração.	31
PROOF/PRINT MENU (VERIF/MENU IMPR).	31
Introduzir a palavra-passe.	32
PRINT MENU (MENU IMPRESSÃO).	32
PAPER MENU (MENU PAPEL).	33
QUALITY MENU (MENU QUALIDADE).	37
MEMORY DIRECT (DIR. DA MEMÓRIA).	43
INTERFACE MENU (MENU INTERFACE).	45
SYS DEFAULT MENU (MENU PADR SISTEMA).	48
MAINTENANCE MENU (MENU MANUTENÇÃO).	56

Capítulo 4 **Directamente a partir da memória**

Directamente a partir da memória.	61
Imprimir a partir de um dispositivo de memória USB ligado.	61

Capítulo 5 **Manusear material**

Material de impressão.	63
Especificações.	63
Tipos de material.	65
Área de impressão.	73
Colocar material	75
Bandeja 1 (bandeja de alimentação manual).	75
Bandeja 2.	78
Alimentador para 500 folhas de papel (bandeja 3).	81
Duplex (apenas para Epson AcuLaser C3900DN).	83
Bandeja de saída.	85
Armazenamento do material.	85

Capítulo 6 **Substituir consumíveis e peças de manutenção**

Acerca dos cartuchos de toner.	87
Substituir um cartucho de toner.	89
Substituir uma unidade fotocondutora.	94
Substituir o frasco de toner residual (0595).	101
Substituir a pilha de reserva.	104
Substituir a unidade de fusão (3041/3042).	106

Capítulo 7 **Manter a impressora**

Manter a impressora.	111
Limpar a impressora.	113
Exterior.	113
Rolos de material.	114
Limpar a lente laser.	117

Capítulo 8 **Resolução de problemas**

Imprimir uma página de configuração.	123
Evitar problemas de alimentação do material.	123
Resolver problemas de alimentação do material	124
Mensagens de material alimentado incorrectamente e procedimentos de desobstrução.	124
Resolver problemas com alimentação do material.	138
Resolver outros programas.	141
Resolver problemas com a qualidade de impressão.	145
Mensagens de estado, erro e assistência.	149
Mensagens de estado padrão.	150
Mensagens de erro (Advertência).	151
Mensagens de erro (chamada do operador).	153
Mensagens de assistência.	156

Capítulo 9 **Instalar acessórios**

Introdução.	157
Protecção anti-estática.	157
Módulo de memória dual in-line (DIMM).	158
Instalar um DIMM.	158

Unidade de disco rígido (C12C824511).....	160
Instalar a unidade de disco rígido.....	160
Alimentador para 500 folhas de papel (C12C802651).....	162
Instalar um alimentador para 500 folhas de papel.....	162

Apêndice A Anexo

Especificações técnicas.....	165
Impressora.....	165

Índice

Capítulo 1

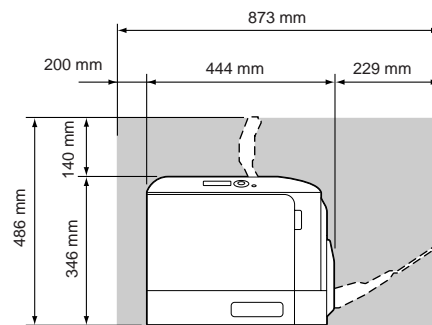
Introdução

Familiarização com a impressora

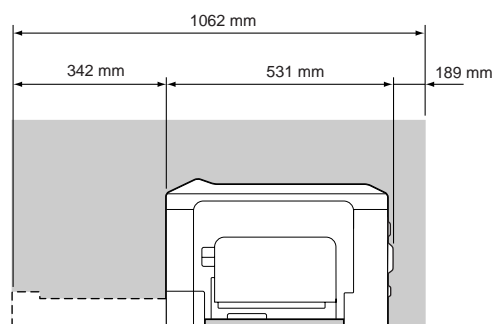
Requisitos de espaço

Para garantir um funcionamento, substituição de consumíveis e manutenção simples, respeite os requisitos de espaço recomendados abaixo especificados.

Vista frontal

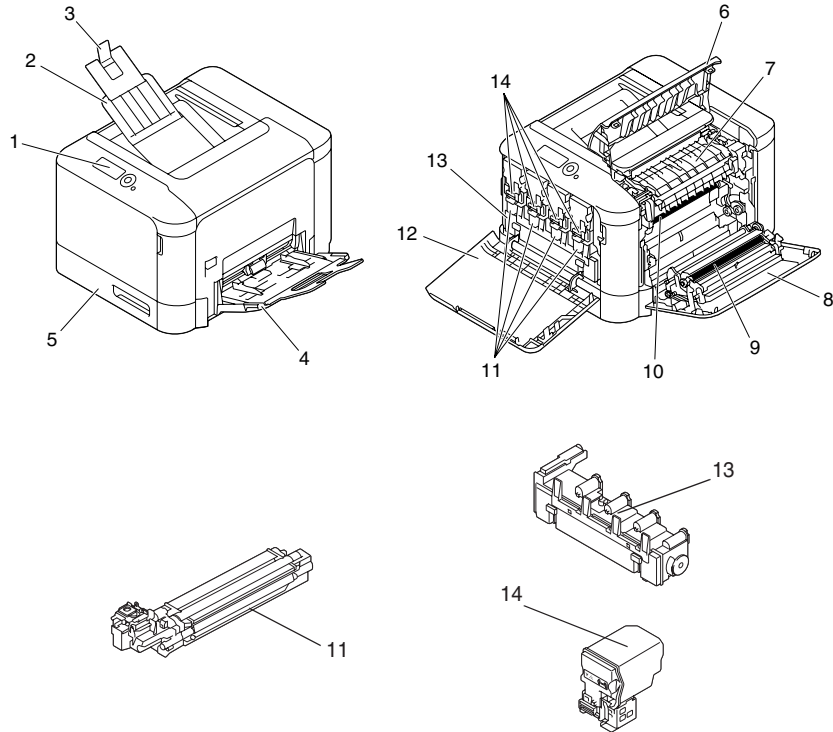


Vista lateral

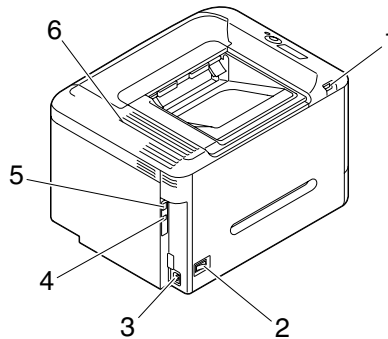


Peças da impressora

Vista frontal



1. Painel de controlo
2. Bandeja de saída
3. Fixador do papel
4. Bandeja 1 (bandeja de alimentação manual)
5. Bandeja 2
6. Tampa de ejeção
7. Unidade de fusão
8. Tampa lateral direita
9. Rolo de transferência
10. Unidade da correia de transferência
11. Unidade fotocondutora(s)
12. Tampa frontal
13. Frasco de toner residual
14. Cartucho(s) de toner

Vista posterior

1. Porta de mem ria USB
2. Interruptor de alimenta o
3. Liga o de alimenta o
4. Porta USB
5. Porta de interface Ethernet 10Base-T/100Base-TX/1000Base-T
6. Grelhas de ventila o

Disco de software**Controladores PostScript/Controladores PCL**

Sistema operativo	Utiliza�o/beneficio
Windows 7/Vista/Server 2008/XP/Server 2003/2000	Estes controladores d�o-lhe acesso a todas as funcionalidades da impressora, incluindo acabamento e esquema avan�ado. Consulte tamb�m "Utilizar o controlador de impress�o PostScript e PCL" na p�gina 21.
Windows 7/Vista/Server 2008/XP/Server 2003 para 64 bits	

Nota:

Foi preparado um ficheiro PPD espec fico para aplica es (tais como o PageMaker e o Corel Draw) que requerem a especifica o de um ficheiro PPD durante a impress o.

Ao especificar um ficheiro PPD durante a impress o no Windows 7, Vista, Server 2008, XP, Server 2003 e 2000, utilize o ficheiro PPD espec fico fornecido no disco de software.

Ficheiros PPD

Sistema operativo	Utilização/benefício
Macintosh OS X (10.3.9/10.4/10.5/10.6) Macintosh OS X Server (10.3.9/10.4/10.5/10.6)	Estes ficheiros são necessários de modo a utilizar o controlador de impressão para cada sistema operativo. Para obter mais informações sobre os controladores de impressão do Linux, consulte o Guia de Referência.
RedHat Enterprise Linux 5 Desktop SUSE Linux Enterprise Desktop 10	

Documentação

Documentação	Utilização/benefício
Manual de instalação	Este manual fornece-lhe informações sobre as operações iniciais que devem ser efectuadas de modo a utilizar esta impressora, tais como configurar a impressora e instalar os controladores.
Guia do usuário (este manual)	Este manual fornece informações sobre as operações diárias gerais, tais como a utilização dos controladores e do painel de controlo e a substituição de consumíveis.
Guia de Referência	Este manual fornece detalhes sobre a instalação dos controladores para Linux e sobre a especificação das configurações para a rede e o utilitário de gestão da impressora.

Requisitos de sistema

- Computadores pessoais
 - Pentium 2: 400 MHz (Pentium 3: 500 MHz ou superior recomendado)
 - PowerPC G3 ou posterior (G4 ou posterior é recomendado)
 - Macintosh equipado com um processador Intel
- Sistema operativo
 - Microsoft Windows

Windows 7	Home Basic/Home Premium/Professional/Ultimate Edition
Windows Vista	Home Basic/Home Premium/Ultimate/Business/Enterprise Edition Home Basic/Home Premium/Ultimate/Business/Enterprise x64 Edition

Windows XP	Home/Professional (Service Pack 2 ou posterior) Edition Professional x64 Edition
Windows 2000	(Service Pack 4 ou posterior)
Windows Server 2008 R2	Standard/Enterprise Edition
Windows Server 2008	Standard/Enterprise Edition Standard/Enterprise x64 Edition
Windows Server 2003 R2	Standard/Enterprise Edition Standard/Enterprise x64 Edition
Windows Server 2003	Standard/Enterprise Edition Standard/Enterprise x64 Edition

- Mac OS X (10.3.9 ou posterior; recomendamos a instalação da correção mais recente), Mac OS X Server (10.3.9 ou posterior)
- RedHat Enterprise Linux 5 Desktop, SUSE Linux Enterprise Desktop 10
- Espaço livre em disco rígido
 - Aproximadamente 20 MB livres em disco rígido para o controlador de impressão
 - Aproximadamente 128 MB livres em disco rígido para o processamento de imagens
- RAM
Capacidade recomendada para o sistema operativo
- Unidade de CD/DVD-ROM
- Interface de E/S
 - Porta de interface Ethernet 10Base-T/100Base-TX/1000Base-T
 - Porta compatível com USB 2.0 High-Speed

Nota:

Para obter mais informações sobre o controlador de impressão do Linux, consulte o Guia de Referência.

Capítulo 2

Utilizar o controlador de impressão

Seleccionar as opções/padrões do controlador (para o Windows)

Antes de começar a utilizar a impressora, deve verificar/alterar as configurações padrão do controlador. Além disso, caso tenha opções instaladas, deve “declarar” as opções no controlador.

1. Selecione as propriedades do controlador.
2. Se tiver opções instaladas, efectue o passo seguinte. Caso contrário, avance para o passo 9.
3. Selecione o separador **Configure (Configurar)**.
4. Verifique se as opções instaladas estão listadas correctamente. Em caso negativo, efectue o passo seguinte. Caso contrário, continue com o passo 8.
5. Clique em **Refresh (Atualizar)** para configurar automaticamente as opções instaladas.

Nota:

A opção Refresh (Atualizar) apenas se encontra disponível se a comunicação bi-direccional estiver disponível com a impressora; caso contrário, encontra-se esbatida.

*Se estiver a utilizar o Windows Vista ou Server 2008, também pode clicar em **Refresh (Atualizar)** quando a máquina estiver ligada por USB.*

6. Na lista **Device Options (Opções dispositivo)**, selecione uma opção, uma de cada vez e, em seguida, selecione **Enable** ou **Disable (Desativar)** no menu **Settings (Configurações)**.

Nota:

*Em modelos com uma unidade duplex integrada (Epson AcuLaser C3900DN), selecione **EPSON AL-C3900** em **Model (Modelo)** na lista **Device Options (Opções dispositivo)**.*

*Se seleccionar **Printer Memory (Memória da impressora)**, selecione **256MB** ou **768MB** de acordo com a memória instalada. A predefinição de fábrica é **256MB**.*

Esta impressora não suporta cartões CompactFlash.

7. Clique em **Apply (Aplicar)**.

Nota:

Dependendo da versão do sistema operativo, a opção *Apply* (*Aplicar*) poderá não aparecer. Nesse caso, continue com o passo seguinte.

8. Seleccione o separador **General (Geral)**.
9. Clique em **Printing Preferences (Preferências de impressão)**.
É apresentada a caixa de diálogo Printing Preferences (Preferências de impressão).
10. Seleccione as configurações padrão para a sua impressora, tais como o formato do material utilizado, nos respectivos separadores.
11. Clique em **Apply (Aplicar)**.
12. Clique em **OK** para sair da caixa de diálogo Printing Preferences (Preferências de impressão).
13. Clique em **OK** para sair da caixa de diálogo Properties (Propriedades).

Desinstalar o controlador de impressão (para o Windows)

1. Feche todas as aplicações.
2. Seleccione o programa de desinstalação.
3. Quando a caixa de diálogo Uninstall (Desinstalar) aparecer, seleccione a impressora a ser eliminada e, em seguida, clique no botão **Uninstall (Desinstalar)**.
4. Clique em **Uninstall (Desinstalar)**.
5. Clique em **OK** e reinicie o computador.
6. O controlador de impressão será desinstalado do computador.

Utilizar o controlador de impressão PostScript e PCL

Botões comuns

Os botões descritos abaixo aparecem em cada separador.

OK

Clique para sair da caixa de diálogo Properties (Propriedades), guardando quaisquer alterações efectuadas.

Cancelar

Clique para sair da caixa de diálogo Properties (Propriedades) sem guardar quaisquer alterações efectuadas.

Apply (Aplicar)

Clique para guardar todas as alterações sem sair da caixa de diálogo Properties (Propriedades).

Help (Ajuda)

Clique para visualizar a ajuda.

Favorite Setting (Config. favorita)

Esta acção permite guardar as configurações actuais. Para guardar as configurações actuais, especifique as configurações pretendidas e, em seguida, clique em **Add (Adicionar)**. Especifique as configurações abaixo descritas e, em seguida, clique em **OK**.

- Name: (Nome):** Escreva o nome das configurações a guardar.
- Icon (Ícone):** Seleccione um ícone na lista de ícones para identificar facilmente as configurações. O ícone seleccionado aparece na lista pendente.
- Sharing (Compartilhamento):** Especifique se pretende que as configurações sejam utilizadas por outros utilizadores com sessão iniciada no computador.
- Comment: (Comentário):** Adicione um comentário simples às configurações a guardar.

Em seguida, é possível seleccionar as configurações guardadas a partir da lista pendente. Para alterar a configuração registada, clique em **Edit (Editar)**.

Além disso, é possível seleccionar configurações predefinidas.

As configurações predefinidas são “2-up (2-até)”, “Photo (Foto)” e “Grayscale (Escala de cinza)”.

Selecione **Defaults (Padrões)** a partir da lista pendente para reiniciar as funções em todos os separadores para os seus valores padrão.

- Printer View (Exibir impressora)

Clique no botão para apresentar uma imagem da impressora na área da figura. Ao clicar neste botão, muda para o botão **Paper View (Visualização de papel)** (quando um separador diferente do separador **Quality (Qualidade)** está seleccionado) ou para o botão **Quality View (Visualiz. qualidade)** (quando o separador **Quality (Qualidade)** está seleccionado).

Nota:

*Este botão não aparece no separador **Advanced (Avançadas)**.*

- Paper View (Exibir papel)

Clique no botão para apresentar uma amostra do esquema de página na área da figura. Ao clicar neste botão, muda para o botão **Printer View (Exibir impressora)**.

Nota:

*Este botão não aparece no separador **Quality (Qualidade)**.*

- Quality View (Exibir qualidade)

Clique no botão para apresentar uma amostra das configurações seleccionadas no separador **Quality (Qualidade)**. Ao clicar neste botão, muda para o botão **Printer View (Exibir impressora)**.

Nota:

*Este botão apenas aparece quando o separador **Quality (Qualidade)** é seleccionado.*

- Printer Information (Inform. impressora)

Clique neste botão para iniciar Web-Based EpsonNet Config.

Nota:

Este botão apenas está disponível se tiver sido estabelecida uma ligação de rede.

- Default (Padrão)

Clique no botão para reiniciar as configurações para os seus padrões.

Nota:

- Este botão não aparece no separador **Advanced (Avançadas)**.*

- Ao clicar neste botão, as configurações na caixa de diálogo apresentada são redefinidas para os seus padrões. As configurações nos outros separadores não são alteradas.*

Separador Advanced (Avançadas) (apenas para o controlador de impressão PostScript)

O separador Advanced (Avançadas) permite-lhe

- Seleccionar se pretende activar ou desactivar as configurações das funções de impressão avançadas (tais como impressão de caderno)
- Especificar o método de saída PostScript
- Especificar se pretende que as mensagens de erro de uma tarefa de impressão sejam impressas
- Imprimir uma imagem reflectida
- Especificar se pretende que a aplicação seja capaz de enviar directamente dados PostScript

My Tab (Minha guia)

My Tab (Minha guia) permite-lhe

- Visualizar as funções utilizadas mais frequentemente (de cada separador) cujas configurações são alteradas frequentemente
- Adicionar ou remover funções apresentadas clicando em **Edit My Tab (Editar Minha guia)**. Além disso, é possível adicionar funções a My Tab (Minha guia) clicando com a tecla direita do rato sobre elas nos seus separadores originais.

Separador Basic (Básico)

O separador Basic (Base) permite-lhe

- Especificar a orientação do material
- Especificar o tamanho do documento original
- Seleccionar o tamanho do material de impressão
- Efectuar zoom (ampliar/reduzir) a documentos
- Especificar a origem do papel
- Especificar o tipo de material.

- Especificar o número de cópias
- Activar/desactivar o agrupamento de tarefas
- Guardar uma tarefa de impressão na impressora e imprimi-la mais tarde (Retenção de trabalhos)
- Guardar uma tarefa confidencial na impressora e protegê-la com uma palavra-passe
- Imprimir uma única cópia para revisão
- Especificar as configurações de autenticação de utilizador e controlo de conta
- Imprimir no verso da folha de papel que já foi impressa

Nota:

- Utilize papel que já tenha sido impresso com esta impressora.
Além disso, não é possível garantir a impressão da página através desta configuração.*
- Não utilize os seguintes tipos de papel.*
 - *Papel que tenha sido impresso numa impressora de jacto de tinta*
 - *Papel que tenha sido impresso numa impressora/fotocopiadora laser monocromática/a cores*
 - *Papel que tenha sido impresso em qualquer outra impressora ou máquina de fax*

Separador Layout

O separador Layout permite-lhe

- Imprimir várias párias páginas de um documento na mesma página (impressão mais de N)
- Imprimir uma única cópia para ampliação e imprimir várias páginas (apenas com o controlador de impressão PCL)
- Especificar impressão de caderno (apenas Epson AcuLaser C3900DN)
- Girar a imagem de impressão 180 graus
- Especificar impressão duplex (dois lados) (apenas Epson AcuLaser C3900DN)
- Especificar se as páginas em branco são impressas (apenas com o controlador de impressão PCL)
- Ajustar a margem de encadernação
- Ajustar a posição de impressão (apenas com o controlador de impressão PCL)
- Especificar a posição no papel onde o documento irá ser impresso

Separador Cover Page (Configuração por página)

O separador Cover Page (Configuração por página) permite-lhe

- Imprimir páginas de capa frontais e posteriores e páginas de separação
- Especificar a bandeja que contém papel para as páginas de capa frontais e posteriores e para as páginas de separação

Separador Watermark/Overlay (Marca d'água/Sobreposição)

Nota:

Certifique-se de que utiliza sobreposições em tarefas de impressão com tamanho e orientação do material que correspondam à forma de sobreposição. Além disso, se as configurações tiverem sido efectuadas para “N-up (N-até)” ou “Booklet (Caderno)” no controlador de impressão, não é possível ajustar a sobreposição para que corresponda às configurações especificadas.

As configurações na função “Watermark (Marca d'água)” do separador Watermark/Overlay (Marca d'água/Sobreposição) permitem-lhe

- Seleccionar a marca d'água a utilizar
- Criar, editar ou eliminar marcas d'água
- Ajustar a posição da marca d'água
- Imprimir uma moldura em torno das marcas d'água
- Imprimir marcas d'água transparentes (sombreadas)
- Imprimir a marca d'água apenas na primeira página
- Imprimir a marca d'água repetidamente ao longo de todas as páginas

As configurações na função “Overlay (Sobreposição)” do separador Watermark/Overlay (Marca d'água/Sobreposição) permitem-lhe

- Seleccionar a forma a utilizar
- Adicionar ou eliminar ficheiros de sobreposição
- Criar uma forma (apenas com o controlador de impressão PCL)
- Especificar que o documento e a forma sejam impressos sobrepostos (apenas com o controlador de impressão PCL)

- Apresentar as informações sobre a forma (apenas com o controlador de impressão PCL)
- Imprimir a forma em All Pages (Todas as páginas), Primeira página, Even Pages (Páginas pares) e Odd Pages (Páginas ímpares)
- Colocar a forma atrás do documento ou à frente do documento impresso (apenas com o controlador de impressão PCL)

Separador Quality (Qualidade)

O separador Quality (Qualidade) permite-lhe

- Especificar se a impressão é a cores ou a preto e branco
- Controlar a escuridão de uma imagem (Brightness (Brilho))
- Especificar as configurações de cor da impressora (Quick Color (Configuração rápida de cores))
- Efectuar a separação de cores
- Seleccionar se a impressão económica é utilizada ou não
- Configurar a intensidade da margem entre Low (Baixo), Middle (Médio) ou High (Alto)
- Especificar a quantidade de detalhes nos padrões gráficos (apenas com o controlador de impressão PCL)
- Especificar o formato ou fontes que serão descarregadas (apenas com o controlador de impressão PCL e Postscript)
- Imprimir utilizando as fontes da impressora (apenas com o controlador de impressão PCL e Postscript)
- Controlar os tons de uma imagem (Contrast (Contraste)) (apenas com o controlador de impressão PCL)
- Especificar o método de compressão das imagens (apenas com o controlador de impressão PCL)
- Seleccionar se a função Auto Trapping (Ajuste registro automático) é utilizada (apenas com o controlador de impressão Postscript)
- Especificar a função Black Over Print (Impressão sobreposta preto) (apenas com o controlador de impressão Postscript)

Separador Other (Outras)

O separador Other (Outras) permite-lhe

- Seleccionar que as folhas do Microsoft Excel não sejam divididas ao imprimir
- Seleccionar que o fundo branco dos dados Microsoft PowerPoint não ocultem ficheiros de sobreposição (apenas com o controlador de impressão PCL)
- Enviar uma notificação por e-mail quando a impressão tiver terminado
- Apresentar as informações da versão do controlador de impressão
- Evitar perdas ao imprimir linhas finas (apenas com o controlador de impressão PCL)

Limitações das funções do controlador de impressão instaladas com Point and Print (Apontar e imprimir)

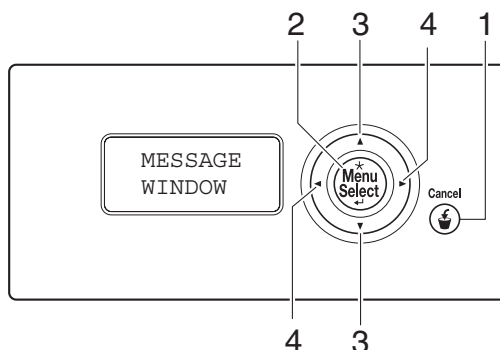
Se efectuar Point and Print (Apontar e imprimir) com as seguintes combinações de servidor e cliente, algumas funções do controlador de impressão possuem limitações.

- Combinações de servidor e cliente
Servidor: Windows Server 2003/XP/2000/Server 2008/Vista
Cliente: Windows Server 2003/XP/2000/Server 2008/Vista
- Funções com limitações existentes
Booklet (Caderno), Skip Blank Pages (Ignorar páginas em branco), Front Cover Page (Página de capa), Back Cover Page (Página de capa posterior), Separator Page (Páginas de separação), Create Overlay (Criar Superposição), Print in Overlay (Imprimir em sobreposição), Watermark (Marca d'água)
*Saída de NOME DA TAREFA, NOME DE UTILIZADOR e NOME DO ANFITRIÃO de PJJ

Capítulo 3





Painel de controlo e Menu de configuração da impressora

Acerca do painel de controlo

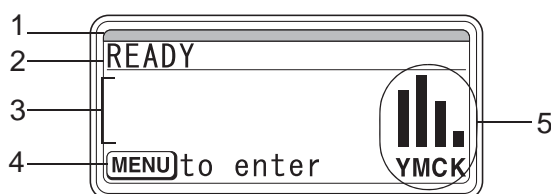






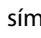
Indicadores e teclas do painel de controlo

N.º	Tecla	Função
1	<p>Cancel</p>	<ul style="list-style-type: none"> <input type="checkbox"/> Prima para cancelar a configuração actualmente apresentada <input type="checkbox"/> Cancela uma ou todas as tarefas de impressão que actualmente estão a ser impressas ou processadas: <ol style="list-style-type: none"> 1. Prima a tecla Cancel. 2. Prima as teclas \triangle ou ∇ para seleccionar CURRENT JOB (TRAB. ATUAL) ou ALL JOBS (TODOS TRAB.). 3. Prima a tecla Menu/Select.
2	<p>* Menu Select</p>	<ul style="list-style-type: none"> <input type="checkbox"/> Entra no sistema do menu <input type="checkbox"/> Move para baixo na estrutura do menu <input type="checkbox"/> Aplica a configuração seleccionada <input type="checkbox"/> MENU aparece na janela de mensagens
3		<ul style="list-style-type: none"> <input type="checkbox"/> Move para cima e para baixo nos menus, opções ou seleções <input type="checkbox"/> aparece na janela de mensagens

N.º	Tecla	Função
4	 	<ul style="list-style-type: none"> <input type="checkbox"/> Move para a esquerda e para a direita nos menus, opções ou selecções <input type="checkbox"/>  ,  aparece na janela de mensagens

Janela de mensagens



N.º	Detalhes
1	<p>O estado da impressora é indicado através da cor do indicador e iluminação/intermitência da janela de mensagens.</p> <ul style="list-style-type: none"> <input type="checkbox"/> READY (PRONTO): Indicador aceso a azul e janela acesa <input type="checkbox"/> PROCESSING (PROCESSANDO) ou PRINTING (IMPRIMINDO): Indicador intermitente e janela acesa <input type="checkbox"/> ENERGY SAVER (ECONOM. ENERGIA): Indicador aceso a azul e janela apagada <input type="checkbox"/> ERRO: Indicador aceso a vermelho e janela acesa
2	<p>É apresentado o estado actual da impressora.</p> <ul style="list-style-type: none"> <input type="checkbox"/> Se for necessário contactar o operador ou o técnico de assistência, o símbolo  e o estado de erro são apresentados. <input type="checkbox"/> Se ocorrer um aviso, o símbolo  aparece. <input type="checkbox"/> Quando é introduzido um dispositivo de memória USB na porta de memória USB, o símbolo  aparece no lado direito da janela de mensagens. <input type="checkbox"/> Durante a recepção de uma tarefa de impressão, o símbolo  aparece no lado direito da janela de mensagens. Durante a recepção de uma tarefa de impressão directamente a partir da memória, o símbolo  aparece.
3	<ul style="list-style-type: none"> <input type="checkbox"/> As mensagens de erro são apresentadas. <input type="checkbox"/> Durante a recepção de uma tarefa de impressão, o nome de utilizador e o progresso de impressão são apresentados.
4	São apresentadas informações sobre a tecla.
5	É apresentada a quantidade aproximada de toner restante.

Ecrãs de ajuda

Os ecrãs de ajuda aparecem quando a tecla ∇ é premida após ocorrer um erro, tal como material alimentado incorrectamente, de modo a poder corrigir o erro.

Descrição geral do menu de configuração

PROOF/PRINT MENU (VERIF/MENU IMPR)

Nota:

Este menu aparece apenas se estiver instalado um disco rígido opcional.

Neste menu, as tarefas de impressão que foram configuradas para serem guardadas no disco rígido através da opção Job Retention (Retenção de trabalhos) no separador Basic (Base) do controlador de impressão podem ser impressas ou eliminadas.

Nota:

Se SYS DEFAULT MENU (MENU PADR SISTEMA)/SECURITY (SEGURANÇA)/LOCK PANEL (BLOQUEAR PAINEL) for configurado como ON (LIG), a palavra-passe deve ser introduzida de modo a que o conteúdo de PROOF/PRINT MENU (VERIF/MENU IMPR) seja exibido. Para mais informações sobre LOCK PANEL (BLOQUEAR PAINEL), consulte “SYS DEFAULT MENU (MENU PADR SISTEMA)” na página 48.

Imprimir uma tarefa armazenada

1. Prima a tecla **Menu/Select**.
2. Seleccione PROOF/PRINT MENU (VERIF/MENU IMPR) e, em seguida, prima a tecla **Menu/Select**.
3. Seleccione o nome de utilizador pretendido e, em seguida, prima a tecla **Menu/Select**.
4. Seleccione o nome de tarefa pretendido e, em seguida, prima a tecla **Menu/Select**.
5. Seleccione PRINT (IMPRIMIR) e, em seguida, prima a tecla **Menu/Select**.
6. Prima as teclas \triangle e ∇ para especificar o número de cópias a imprimir.
7. Prima a tecla **Menu/Select**.

A impressão inicia.

Eliminar uma tarefa armazenada

1. Siga os passos 1 a 3 de “Imprimir uma tarefa armazenada” na página 31.
2. Seleccione **DELETE (EXCLUIR)** e, em seguida, prima a tecla **Menu/Select**.
3. Seleccione **YES (SIM)** ou **NO (NÃO)** e, em seguida, prima a tecla **Menu/Select**.

Introduzir a palavra-passe

Se uma tarefa de impressão seleccionada em **PROOF/PRINT MENU (VERIF/MENU IMPR)** for uma impressão protegida, aparece um ecrã para introduzir a palavra-passe. Siga o procedimento abaixo descrito para introduzir a palavra-passe de quatro dígitos especificada a partir do controlador de impressão.

1. Prima \triangle para aumentar ou ∇ para diminuir o primeiro dígito da palavra-chave.
2. Prima a tecla \triangleright para mover o cursor para o dígito seguinte.
3. Prima \triangle para aumentar ou ∇ para diminuir o segundo dígito da palavra-chave.
4. Prossiga com os passos até ter especificado os quatro dígitos da palavra-chave.
5. Prima a tecla **Menu/Select**.

O ecrã de selecção **PRINT (IMPRIMIR)/DELETE (EXCLUIR)** aparece.

Nota:

*Se for introduzida uma palavra-chave incorrecta, **INVALID ENTRY (ENTRADA INVALIDA)** aparece e o ecrã para introduzir a palavra-chave aparece novamente.*

PRINT MENU (MENU IMPRESSÃO)

Neste menu é possível imprimir informações sobre a impressora, tais como a página de configuração.

Nota:

Se `SYS DEFAULT MENU (MENU PADR SISTEMA)/SECURITY (SEGURANÇA)/LOCK PANEL (BLOQUEAR PAINEL)` for configurado como `ON (LIG)`, a palavra-passe deve ser introduzida de modo a que o conteúdo de `PRINT MENU (MENU IMPRESSÃO)` seja exibido. Para mais informações sobre `LOCK PANEL (BLOQUEAR PAINEL)`, consulte “`SYS DEFAULT MENU (MENU PADR SISTEMA)`” na página 48.

Itens		Configurações (padrão a negrito)/Descrição
CONFIGURATION PG (PG. CONFIGURAÇÃO)		PRINT (IMPRIMIR)/CANCEL (CANCELAR)
STATISTICS PAGE (PAG. ESTATÍSTICA)		PRINT (IMPRIMIR)/CANCEL (CANCELAR)
		Imprime a página com estatísticas, tais como o número de páginas impressas.
FONT LIST (LISTA DE FONTES)	POSTSCRIPT	PRINT (IMPRIMIR)/CANCEL (CANCELAR)
	PCL	PRINT (IMPRIMIR)/CANCEL (CANCELAR)
MENU MAP (MAPA MENU)		PRINT (IMPRIMIR)/CANCEL (CANCELAR)
DIRECTORY LIST (LISTA DIRETÓRIOS)*1		PRINT (IMPRIMIR)/CANCEL (CANCELAR)
		Imprime a lista de directórios do disco rígido.

*1 Este item aparece apenas se estiver instalado um disco rígido opcional.

PAPER MENU (MENU PAPEL)

Neste menu é possível gerir o papel utilizado para a impressão.

Nota:

Se `SYS DEFAULT MENU (MENU PADR SISTEMA)/SECURITY (SEGURANÇA)/LOCK PANEL (BLOQUEAR PAINEL)` for configurado como `ON (LIG)`, a palavra-passe deve ser introduzida de modo a que o conteúdo de `PAPER MENU (MENU PAPEL)` seja exibido. Para mais informações sobre `LOCK PANEL (BLOQUEAR PAINEL)`, consulte “`SYS DEFAULT MENU (MENU PADR SISTEMA)`” na página 48.

Itens		Configurações (padrão a negrito)/Descrição	
PAPER SOURCE (ORIGEM DO PAPEL)	DEFAULT TRAY (BAND PADRÃO)		TRAY1 (BAND1)/ TRAY2 (BAND2) /TRAY3 (BAND3)* ¹
			Selecione a configuração para a bandeja padrão.
	TRAY 1 (BAND 1)	PAPER SIZE (TAMANHO PAPEL)	ANY (QUALQUER), LETTER (CARTA), LEGAL, EXECUTIVE (EXECUTIVO), A4 , A5, A6, B5(JIS), B6(JIS), GOVT LETTER (CARTA OFÍCIO), STATEMENT (DECLARAÇÃO), FOLIO (FÓLIO), SP FOLIO (FÓLIO ESPEC.), UK QUARTO, FOOLSCAP (PAPEL ALMAÇO), GOVT LEGAL (OFÍC. LEGAL), 16K, PHOTO 4x6 (FOTO 4x6)* ² , KAI 16, KAI 32, ENV C6, ENV DL, ENV MONARCH, ENV CHOU#3 (ENV CHOU ⁿ 3), ENV CHOU#4 (ENV CHOU ⁿ 4), B5(ISO), ENV #10 (ENV N ^o 10), JPOST (C.POST J), JPOST-D (C.POST J DUP), 8 1/8x13 1/4, 8 1/2x13 1/2, CUSTOM (PERSONALIZ.)
			Selecione a configuração para o tamanho do papel carregado na bandeja 1.
		CUSTOM SIZE (TAM. PADRÃO)* ³	<p>Especifique o formato do papel quando for carregado papel com um tamanho personalizado na bandeja 1.</p> <p>As unidades de configuração podem ser alternadas entre milímetros e polegadas com a configuração SYS DEFAULT MENU (MENU PADR SISTEMA)/PAPER (PAPEL)/UNIT OF MEASURE (UNID. MEDID@).</p> <p>O intervalo de configuração de WIDTH (LARGURA) é de 92 a 216 mm. A configuração padrão é de 210 mm.</p> <p>O intervalo de configuração de LENGTH (COMPRIMENTO) é de 148 a 356 mm. A configuração padrão é de 297 mm.</p>
	PAPER TYPE (TIPO DE PAPEL)	ANY (QUALQUER)/ PLAIN PAPER (PAPEL LISO) /RECYCLED (RECLADO)/THICK 1 (ESPESSURA 1)/THICK 2 (ESPESSURA 2)/LABEL (ETIQUETA)/ENVELOPE/POSTCARD (CART POSTAL)/LETTERHEAD (TIMBRE)/GLOSSY 1 (BRILHANTE 1)/GLOSSY 2 (BRILHANTE 2)/SGL SIDE ONLY (SÓ UM LADO)/SPECIAL PAPER (PAPEL ESPECIAL)	
Selecione a configuração para o tipo do papel carregado na bandeja 1.			
TRAY 2 (BAND 2)	PAPER SIZE (TAMANHO PAPEL)	ANY (QUALQUER)/LETTER (CARTA)/EXECUTIVE (EXECUTIVO)/ A4 /A5/A6/B5(JIS)/B6(JIS)/GOVT LETTER (CARTA OFÍCIO)/STATEMENT (DECLARAÇÃO)/UK QUARTO/16K/PHOTO 4x6 (FOTO 4x6)* ² /KAI 16/KAI 32/CUSTOM (PERSONALIZ.)	
		Selecione a configuração para o formato do papel carregado na bandeja 2.	

Itens		Configurações (padrão a negrito)/Descrição
	CUSTOM SIZE (TAM. PADRÃO)*3	<p>Especifique o formato do papel quando for carregado papel com um tamanho personalizado na bandeja 2.</p> <p>As unidades de configuração podem ser alternadas entre milímetros e polegadas com a configuração SYS DEFAULT MENU (MENU PADR SISTEMA)/PAPER (PAPEL)/UNIT OF MEASURE (UNID. MEDI&O).</p> <p>O intervalo de configuração de WIDTH (LARGURA) é de 92 a 216 mm. A configuração padrão é de 210 mm.</p> <p>O intervalo de configuração de LENGTH (COMPRIMENTO) é de 148 a 356 mm. A configuração padrão é de 297 mm.</p>
	PAPER TYPE (TIPO DE PAPEL)	<p>ANY (QUALQUER)/PLAIN PAPER (PAPEL LISO)/RECYCLED (RECLADO)/THICK 1 (ESPESSURA 1)/THICK 2 (ESPESSURA 2)/LABEL (ETIQUETA)/POSTCARD (CART POSTAL)/LETTERHEAD (TIMBRE)/GLOSSY 1 (BRILHANTE 1)/GLOSSY 2 (BRILHANTE 2)/SGL SIDE ONLY (SÓ UM LADO)/SPECIAL PAPER (PAPEL ESPECIAL)</p> <p>Selecione a configuração para o tipo do papel carregado na bandeja 2.</p>
	TRAY 3 (BAND 3)*1	<p>PAPER SIZE (TAMANHO PAPEL)</p> <p>O formato do papel (LETTER (CARTA), LEGAL, GOVT LEGAL (OFÍC. LEGAL), EXECUTIVE (EXECUTIVO), A4 ou B5(JIS)) carregado na bandeja 3 é indicado.</p> <p>Este item apenas apresenta a configuração actual. Não é possível alterar esta configuração.</p>
	PAPER TYPE (TIPO DE PAPEL)	<p>Selecione a configuração para o tipo do papel carregado na bandeja 3.</p>
	TRAY CHAINING (ENCADEAM. BAND.)	<p>ON (LIG)/OFF (DESAT.)</p> <p>Se seleccionar ON (LIG) e a bandeja especificada ficar sem papel durante a impressão, é seleccionada automaticamente uma bandeja com papel com o mesmo formato de modo a que a impressão possa continuar.</p> <p>Se seleccionar OFF (DESAT.) e a bandeja especificada ficar sem papel, a impressão pára.</p>

Itens			Configurações (padrão a negrito)/Descrição
	TRAY MAP- PING (MA- PEAM. BANDE- JA)	TRAY MAP- PING MODE (MODO MAP. BAND.)	ON (LIG)/OFF (DESAT.) Selecione se pretende utilizar a função TRAY MAPPING (MAPEAM. BANDEJA).
		LOGICAL TRAY0-9 (BANDEJA LÓGICA 0-9)	PHYSICAL TRAY1 (BANDEJA FÍSICA 1)/PHYSICAL TRAY2 (BANDEJA FÍSICA 2)/PHYSICAL TRAY3 (BANDEJA FÍSICA 3)*1
			Selecione a bandeja utilizada para imprimir quando uma tarefa de impressão for recebida a partir de um controlador de impressão de outro fabricante. A configuração padrão para LOGICAL TRAY1 (BANDEJA LÓGICA 1) é PHYSICAL TRAY1 (BANDEJA FÍSICA 1). A configuração padrão de todas as outras bandejas é PHYSICAL TRAY2 (BANDEJA FÍSICA 2).
DUPLEX*4			OFF (DESAT.)/LONG EDGE (BORDA LONGA)/SHORT EDGE (MARGEM CURTA) Se seleccionar LONG EDGE (BORDA LONGA), as páginas serão impressas em ambos os lados do papel para união com margem larga. Se seleccionar SHORT EDGE (MARGEM CURTA), as páginas serão impressas em ambos os lados do papel para união com margem estreita. A configuração especificada no controlador de impressão irá substituir a configuração deste menu.
COPIES (CÓPIAS)			1-9999 Especifique o número de cópias a imprimir. A configuração especificada no controlador de impressão irá substituir a configuração deste menu.

Itens	Configurações (padrão a negrito)/Descrição
COLLATE (INTERCALAR)*5	<p>ON (LIG)/OFF (DESAT.)</p> <p>Se seleccionar ON (LIG), são impressas todas as páginas do documento antes de ser impressa a próxima cópia.</p> <p>Se seleccionar OFF (DESAT.), todas as cópias do documento não são impressas separadamente.</p> <p>A configuração especificada no controlador de impressão irá substituir a configuração deste menu.</p>

*1 Estes itens aparecem apenas se o alimentador opcional para 500 folhas de papel estiver instalado.

*2 Dependendo da configuração seleccionada para **SYS DEFAULT MENU (MENU PADR SISTEMA)/PAPER (PAPEL)/UNIT OF MEASURE (UNID. MEDIÇÃO)**, **PHOTO 4x6 (FOTO 4x6)** pode ser alterado para **PHOTO 10x15 (FOTO 10x15)**.

*3 Estes itens aparecem apenas se **PAPER SIZE (TAMANHO PAPEL)** for configurado para **CUSTOM (PERSONALIZ.)**.

*4 Este item aparece apenas para Epson AcuLaser C3900DN.

*5 Este item aparece apenas se estiver instalado um disco rígido opcional.

QUALITY MENU (MENU QUALIDADE)

Neste menu é possível especificar as configurações de qualidade de impressão.

Nota:

Se **SYS DEFAULT MENU (MENU PADR SISTEMA)/SECURITY (SEGURANÇA)/LOCK PANEL (BLOQUEAR PAINEL)** for configurado como **ON (LIG)**, a palavra-passe deve ser introduzida de modo a que o conteúdo de **QUALITY MENU (MENU QUALIDADE)** seja exibido. Para mais informações sobre **LOCK PANEL (BLOQUEAR PAINEL)**, consulte “**SYS DEFAULT MENU (MENU PADR SISTEMA)**” na página 48.

Itens	Configurações (padrão a negrito)/Descrição
COLOR MODE (MODO DE COR)	<p>COLOR (COR)/GRAYSCALE (ESCALA DE CINZA)</p> <p>Se seleccionar COLOR (COR), as páginas são impressas a cores.</p> <p>Se seleccionar GRAYSCALE (ESCALA DE CINZA), as páginas são impressas a preto e branco.</p> <p>Nota: A configuração do modo de cor especificada no controlador de impressão tem prioridade sobre a configuração especificada para este menu.</p>

Itens		Configurações (padrão a negrito)/Descrição
BRIGHTNESS (BRILHO)		-15%/-10%/-5%/0%/+5%/+10%/+15%
		É possível ajustar o brilho da imagem impressa.
HALFTONE (MEIO-TOM)	IMAGE PRINTING (IMPRESSÃO IMAG.)/ TEXT PRINTING (IMPRESSÃO TEXTO)/ GRAPHICS PRINTING (IMPR. GRÁFICO)	LINE ART (TIPO LINHA)/ DETAIL (DETALHE) /SMOOTH (SUAVE) (para imagem)
		LINE ART (TIPO LINHA) /DETAIL (DETALHE)/SMOOTH (SUAVE) (para texto/gráfico)
		<p>Selecione como o meios-tons nas imagens/texto/gráficos são reproduzidos.</p> <p>Se seleccionar LINE ART (TIPO LINHA), os meios-tons são reproduzidos com uma precisão elevada.</p> <p>Se seleccionar DETAIL (DETALHE), os meios-tons são reproduzidos com detalhe.</p> <p>Se seleccionar SMOOTH (SUAVE), os meios-tons são reproduzidos com suavidade.</p>
EDGE ENHANCEMENT (REALCE DA BORDA)*1	IMAGE PRINTING (IMPRESSÃO IMAG.)/ TEXT PRINTING (IMPRESSÃO TEXTO)/ GRAPHICS PRINTING (IMPR. GRÁFICO)	ON (LIG)/ OFF (DESAT.) (para imagem)
		ON (LIG) /OFF (DESAT.) (para texto/gráfico)
		<p>Selecione se as margens da imagem/texto/gráfico são realçadas.</p> <p>Se seleccionar ON (LIG), as margens são realçadas.</p> <p>Se seleccionar OFF (DESAT.), as margens não são realçadas.</p>
EDGE STRENGTH (INTENS. DA BORDA)		OFF (DESAT.)*1/LOW (BAIXA)/ MIDDLE (MÉDIA) /HIGH (ALTA)
		Selecione a quantidade de realce das margens.
ECONOMY PRINT (IMPRESSÃO ECON.)		ON (LIG)*1/ OFF (DESAT.)
		Selecione se pretende imprimir gráficos com uma densidade reduzida diminuindo a quantidade de toner utilizado.

Itens			Configurações (padrão a negrito)/Descrição
PCL SETTING (CONFIGUR. PCL)	CONTRAST (CONTRASTE)		-15%/-10%/-5%/0%/+5%/+10%/+15%
			É possível ajustar o contraste da imagem.
	IMAGE PRINTING (IMPRESSÃO IMAG.)/ TEXT PRINTING (IMPRESSÃO TEXTO)/ GRAPHICS PRINTING (IMPR. GRÁFICO)	RGB SOURCE (ORIGEM RGB)	DEVICE COLOR (DISPOSITIVO COR)/sRGB Especifique o espaço de cor para os dados RGB de imagem/texto/gráficos. Se seleccionar <code>DEVICE COLOR (DISPOSITIVO COR)</code> , não é especificado qualquer espaço de cor.
		RGB INTENT (TENTATIVA RGB)	VIVID (VÍVIDA)/PHOTOGRAPHIC (FOTOGRAFICA) (para imagem) VIVID (VÍVIDA)/PHOTOGRAPHIC (FOTOGRAFICA) (para texto/gráfico) Especifique as características aplicadas ao converter dados RGB de imagem/texto/gráficos para dados CMYK. Se seleccionar <code>VIVID (VÍVIDA)</code> , é produzida uma impressão vívida. Se seleccionar <code>PHOTOGRAPHIC (FOTOGRAFICA)</code> , é produzida uma impressão mais brilhante.
		RGB GRAY (RGB CINZA)	COMPOSITE BLACK (COMPOSIÇÃO PRETO)/BLACK AND GRAY (PRETO E CINZA)/BLACK ONLY (SÓ PRETO) (para imagem) COMPOSITE BLACK (COMPOSIÇÃO PRETO)/BLACK AND GRAY (PRETO E CINZA)/BLACK ONLY (SÓ PRETO) (para texto/gráfico) Especifique a forma como o preto e cinzentos são reproduzidos nos dados RGB de imagem/texto/gráficos. Se seleccionar <code>COMPOSITE BLACK (COMPOSIÇÃO PRETO)</code> , o preto é reproduzido através de cores CMYK. Se seleccionar <code>BLACK AND GRAY (PRETO E CINZA)</code> , o preto e cinzento são reproduzidos utilizando apenas preto. Se seleccionar <code>BLACK ONLY (SÓ PRETO)</code> , o preto é reproduzido utilizando apenas preto.

Itens			Configurações (padrão a negrito)/Descrição
PS SETTING (CONFIGUR. PS)	IMAGE PRINTING (IMPRES- SÃO IMAG.)/ TEXT PRIN- TING (IM- PRESSÃO TEXTO)/ GRAPHICS PRINTING (IMPR. GRÁFICO)	RGB SOURCE (ORIGEM RGB)	<p>DEVICE COLOR (DISPOSITIVO COR)/sRGB/Apple RGB/Adobe RGB (1998)/ColorMatch RGB (Correspondência cores RGB)/Blue Adjust RGB (Ajuste RGB Azul)</p> <p>Especifique o espaço de cor para os dados RGB de imagem/texto/gráficos.</p> <p>Se seleccionar <code>DEVICE COLOR (DISPOSITIVO COR)</code>, não é especificado qualquer espaço de cor.</p> <p>Os perfis de origem RGB descarregados através de Web-Based EpsonNet Config encontram-se disponíveis como RGB SOURCE (ORIGEM RGB).</p>
		RGB INTENT (TENTATIVA RGB)	<p>VIVID (VÍVIDA)/PHOTOGRAPHIC (FOTOGRAFICA)/RELATIVE COLOR (COR RELATIVA)/ABSOLUTE COLOR (COR ABSOLUTA) (para imagem)</p> <p>VIVID (VÍVIDA)/PHOTOGRAPHIC (FOTOGRAFICA)/RELATIVE COLOR (COR RELATIVA)/ABSOLUTE COLOR (COR ABSOLUTA) (para texto/gráfico)</p> <p>Especifique as características aplicadas ao converter dados RGB de imagem/texto/gráficos para dados CMYK.</p> <p>Se seleccionar <code>VIVID (VÍVIDA)</code>, é produzida uma impressão vívida.</p> <p>Se seleccionar <code>PHOTOGRAPHIC (FOTOGRAFICA)</code>, é produzida uma impressão mais brilhante.</p> <p>Se seleccionar <code>RELATIVE COLOR (COR RELATIVA)</code>, a cor relativa é aplicada ao perfil de origem RGB.</p> <p>Se seleccionar <code>ABSOLUTE COLOR (COR ABSOLUTA)</code>, a cor absoluta é aplicada ao perfil de origem RGB.</p>

Itens		Configurações (padrão a negrito)/Descrição	
	RGB GRAY (RGB CINZA)	<p>COMPOSITE BLACK (COMPOSIÇÃO PRETO)/BLACK AND GRAY (PRETO E CINZA)/BLACK ONLY (SÓ PRETO) (para imagem)</p> <p>COMPOSITE BLACK (COMPOSIÇÃO PRETO)/BLACK AND GRAY (PRETO E CINZA)/BLACK ONLY (SÓ PRETO) (para texto/gráfico)</p>	
		<p>Especifique a forma como o preto e cinzentos são reproduzidos nos dados RGB de imagem/texto/gráficos.</p> <p>Se seleccionar COMPOSITE BLACK (COMPOSIÇÃO PRETO), o preto é reproduzido através de cores CMYK.</p> <p>Se seleccionar BLACK AND GRAY (PRETO E CINZA), o preto e cinzento são reproduzidos utilizando apenas preto.</p> <p>Se seleccionar BLACK ONLY (SÓ PRETO), o preto é reproduzido utilizando apenas preto.</p>	
		<p>AUTO (Autom.)</p> <p>Especifique o perfil de destino.</p> <p>Se seleccionar AUTO, é seleccionado um perfil de destino que a impressora adapta automaticamente com base numa combinação entre a correspondência de cores, meios-tons e outros perfis especificados.</p> <p>Os perfis de destino descarregados através de Web-Based EpsonNet Config encontram-se disponíveis como DESTINATION PROF (PERFIL DESTINO).</p>	
	SIMULATION (SIMULAÇÃO)	SIMULATION PROF (PERFIL SIMULAÇÃO)	<p>NONE (NENHUM)/SWOP/Euroscale/Commercial Press (Impresso comercial)/Japan Color/TOYO/DIC</p>
			<p>Especifique o perfil de simulação.</p> <p>Se seleccionar NONE (NENHUM), é especificado o perfil sem simulação.</p> <p>Os perfis de simulação descarregados através de Web-Based EpsonNet Config encontram-se disponíveis como SIMULATION PROF (PERFIL SIMULAÇÃO).</p>
		SIMULATION INTENT (TENT. SIMULAÇÃO)	<p>RELATIVE COLOR (COR RELATIVA)/ABSOLUTE COLOR (COR ABSOLUTA)</p> <p>Especifique as características do perfil de simulação.</p>

Itens				Configurações (padrão a negrito)/Descrição
		CMYK GRAY (CINZA CHYK)		<p>COMPOSITE BLACK (COMPOSIÇÃO PRETO)/BLACK AND GRAY (PRETO E CINZA)/BLACK ONLY (SÓ PRETO)</p> <p>Especifique a forma como o preto e os cinzentos são reproduzidos utilizando as quatro cores CMYK.</p> <p>Se seleccionar COMPOSITE BLACK (COMPOSIÇÃO PRETO), o preto é reproduzido através de cores CMYK.</p> <p>Se seleccionar BLACK AND GRAY (PRETO E CINZA), o preto e cinzento são reproduzidos utilizando apenas preto.</p> <p>Se seleccionar BLACK ONLY (SÓ PRETO), o preto é reproduzido utilizando apenas preto.</p>
CALIBRA- TION (Cali- bração)	TONE CALIBRATION (CALIBR TONALID)			<p>ON (LIG)/OFF (DESAT.)</p> <p>Se seleccionar ON (LIG), os ajustes de imagem são aplicados.</p> <p>Se seleccionar OFF (DESAT.), os ajustes de imagem não são aplicados.</p>
	AIDC PROCESS (PROCESSO AIDC)			<p>EXECUTE (EXECUTAR)/CANCEL (CANCELAR)</p> <p>Se seleccionar EXECUTE (EXECUTAR), os ajustes de imagem são efectuados imediatamente.</p> <p>Se seleccionar CANCEL (CANCELAR), os ajustes de imagem não são efectuados.</p> <p>Nota: A função AIDC PROCESS (PROCESSO AIDC) consome toner.</p>
	CMYK DENSITY (DENSIDA- DE CMYK)	CYAN (CI- ANO)/MA- GENTA/ YELLOW (AMARE- LO)/ BLACK (PRETO)	HIGH- LIGHT (REALCE)/ MIDDLE (MÉDIA)/ SHADOW (SOM- BRA)	<p>-3/-2/-1/0/+1/+2/+3</p> <p>É possível ajustar a densidade da cor realçada/média/sombreada nas imagens.</p>
COLOR SEPARATION (SEPARAÇÃO DE COR)				<p>ON (LIG)/OFF (DESAT.)</p> <p>Se seleccionar ON (LIG), a separação de cores é efectuada. O conteúdo de uma página a cores é separado nas páginas a cores em amarelo, magenta, ciano e preto, e cada uma é impressa com gradações de preto como páginas individuais. A ordem de impressão é amarelo, magenta, ciano e, em seguida, preto.</p>

*1 Se configurar **EDGE STRENGTH (INTENS. DA BORDA)** como **OFF (DESAT.)** ou **ECONOMY PRINT (IMPRESSÃO ECON.)** como **ON (LIG)**, não é possível realçar as margens.

MEMORY DIRECT (DIR. DA MEMÓRIA)

Neste menu é possível especificar as configurações da função “directamente a partir da memória”.

Para mais informações sobre a função directamente a partir da memória, consulte “Directamente a partir da memória” na página 61.

Nota:

- ❑ *Este menu aparece se estiver instalado um disco rígido opcional e INTERFACE MENU (MENU INTERFACE)/MEMORY DIRECT (DIR. DA MEMÓRIA) estiver configurado como ENABLE (ATIVAR).*
- ❑ *Este menu não aparece se o acesso a utilizadores públicos não tiver sido permitido através das configurações de autenticação. Para obter mais informações acerca das configurações de autenticação, consulte o Guia de Referência.*
- ❑ *Se SYS DEFAULT MENU (MENU PADR SISTEMA)/SECURITY (SEGURANÇA)/LOCK PANEL (BLOQUEAR PAINEL) for configurado como ON (LIG), a palavra-passe deve ser introduzida de modo a que o conteúdo de MEMORY DIRECT (DIR. DA MEMÓRIA) seja exibido. Para mais informações sobre LOCK PANEL (BLOQUEAR PAINEL), consulte “SYS DEFAULT MENU (MENU PADR SISTEMA)” na página 48.*

Itens	Configurações (padrão a negrito)/Descrição
LIST OF FILES (LISTA DE ARQUIVOS)*1	<p>Selecione o ficheiro que pretende visualizar e, em seguida, prima a tecla Menu/Select.</p> <p>Se o ficheiro a ser impresso estiver numa pasta, selecione a pasta e, em seguida, prima a tecla Menu/Select.</p> <p>Nota: É possível apresentar no máximo 99 pastas e ficheiros. As pastas vazias não são apresentadas.</p>

Itens		Configurações (padrão a negrito)/Descrição
	LETTER (CARTA)/ A4*2	LETTER (CARTA), LEGAL, EXECUTIVE (EXECUTIVO), A4 , A5, A6, B5(JIS), B6(JIS), GOVT LETTER (CARTA OFÍCIO), STATEMENT (DECLARAÇÃO), FOLIO (FÓLIO), SP FOLIO (FÓLIO ESPEC.), UK QUARTO, FOOLSCAP (PAPEL ALMAÇO), GOVT LEGAL (OFÍC. LEGAL), 16K, PHOTO 4x6 (FOTO 4x6)*3, KAI 16, KAI 32, ENV C6, ENV DL, ENV MONARCH, ENV CHOU#3 (ENV CHOUNº3), ENV CHOU#4 (ENV CHOUNº4), B5(ISO), ENV #10 (ENV Nº10), JPOST (C.POST J), JPOST-D (C.POST J DUP), 8 1/8x13 1/4, 8 1/2x13 1/2, CUSTOM (PERSONALIZ.)
		Altere o formato do papel.
	DUPLEX*4	OFF (DESAT.) /LONG EDGE (BORDA LONGA)/SHORT EDGE (MARGEM CURTA)
		<p>Seleccione se pretende efectuar impressão duplex.</p> <p>Se seleccionar OFF (DESAT.), a impressão duplex não é efectuada.</p> <p>Se seleccionar LONG EDGE (BORDA LONGA), a página será impressa em ambos os lados do papel para união com margem larga.</p> <p>Se seleccionar SHORT EDGE (MARGEM CURTA), a página será impressa em ambos os lados do papel para união com margem estreita.</p>
	COPIES (CÓPIAS)	1-9999
		Especifique o número de cópias a imprimir.
	COLLATE (INTER-CALAR)*5	ON (LIG)/OFF (DESAT.)
Seleccione se pretende intercalar as cópias.		
TYPE OF FILES (ARQUIVOS DO TIPO)		PDF,XPS,JPEG,TIFF/PDF,XPS
		Seleccione o tipo de ficheiro a apresentar.

*1 Este item aparece quando um dispositivo de memória USB é introduzido na porta de memória USB.

*2 Este item não aparece se o ficheiro seleccionado for um ficheiro PDF e XPS.

*3 Dependendo da configuração seleccionada para **SYS DEFAULT MENU (MENU PADR SISTEMA)/PAPER (PAPEL)/UNIT OF MEASURE (UNID. MEDIÇÃO)**, **PHOTO 4x6 (FOTO 4x6)** pode ser alterado para **PHOTO 10x15 (FOTO 10x15)**.

*4 Este item aparece apenas para Epson AcuLaser C3900DN.

*5 Este item aparece apenas se estiver instalado o disco rígido opcional.

INTERFACE MENU (MENU INTERFACE)

Neste menu é possível especificar a configurações da interface.

Nota:

- ❑ Reinicie a impressora após alterar as configurações no menu ETHERNET.
- ❑ Se SYS DEFAULT MENU (MENU PADR SISTEMA)/SECURITY (SEGURANÇA)/LOCK PANEL (BLOQUEAR PAINEL) for configurado como ON (LIG), a palavra-passe deve ser introduzida de modo a que o conteúdo de INTERFACE MENU (MENU INTERFACE) seja exibido. Para mais informações sobre LOCK PANEL (BLOQUEAR PAINEL), consulte “SYS DEFAULT MENU (MENU PADR SISTEMA)” na página 48.

Itens		Configurações (padrão a negrito)/Descrição	
JOB TIMEOUT (TEMPO LIM. TRAB.)		5 seconds (5 segundos)- 15 seconds (15 segundos) -300 seconds (300 segundos)	
		Especifique o intervalo de tempo limite para a recepção de uma tarefa de impressão.	
ETHERNET	TCP/IP	ENABLE (Ativ.)	YES (SIM) /NO (NÃO)
		IP ADDRESS (ENDEREÇO IP)*1	000.000.000.000 Configure o endereço IP desta impressora na rede. Se o endereço IP for especificado manualmente, DHCP, BOOTP e ARP/PING são configurados automaticamente para OFF (DESAT.).
		SUBNET MASK (MÁSCARA SUBNET)*1	000.000.000.000 Especifique a máscara de sub-rede da rede.
		DEFAULT GATEWAY (GATEWAY PADRÃO)*1	000.000.000.000 Especifique o endereço IP do router se existir um na rede.
		DHCP*1	ON (LIG) /OFF (DESAT.) Selecione se pretende que o endereço IP seja adquirido automaticamente.
		BOOTP*1	ON (LIG) / OFF (DESAT.) Selecione se pretende que o endereço IP seja adquirido automaticamente.

Itens		Configurações (padrão a negrito)/Descrição
	ARP/PING*1	ON (LIG)/ OFF (DESAT.) Selecione se pretende que o endereço IP seja adquirido automaticamente.
	HTTP*1	ENABLE (ATIVAR) YES (SIM)/NO (NÃO)
	FTP*1	ENABLE (ATIVAR) YES (SIM)/NO (NÃO)
	TELNET*1	ENABLE (ATIVAR)/ DISABLE (DESATIVAR) Selecione se pretende activar ou desactivar as transmissões Telnet.
	BON-JOUR*1	ENABLE (ATIVAR) YES (SIM)/NO (NÃO)
	DYNAMIC DNS (DNS DINÂMICO)*1	ENABLE (ATIVAR) YES (SIM)/NO (NÃO)
	IPP*1*2	ENABLE (ATIVAR) YES (SIM)/NO (NÃO)
	RAW PORT (PORTA RAW)*1	ENABLE (ATIVAR) YES (SIM)/NO (NÃO)
		BIDIRECTIO-NAL (BIDIREC-I-ONAL)*3 ON (LIG)/ OFF (DESAT.) Se seleccionar ON (LIG), as transmissões da porta Raw são activadas. Se seleccionar OFF (DESAT.), as transmissões da porta Raw são desactivadas.
	SLP*1	ENABLE (ATIVAR) YES (SIM)/NO (NÃO)
	SMTP*1	ENABLE (ATIVAR) YES (SIM)/NO (NÃO)
	SNMP*1	ENABLE (ATIVAR) YES (SIM)/NO (NÃO)
	WSD PRINT (IMPRES-SÃO WSD)*1	ENABLE (ATIVAR) YES (SIM)/NO (NÃO)

Itens			Configurações (padrão a negrito)/Descrição
	IPSEC*1	ENABLE (ATIVAR)	YES (SIM)/ NO (NÃO)
	IP ADDRESS FILTER (FILTRO EN- DER. IP)*1	ACCESS PER- MISSION (PER- MISSÃO ACES- SO)	ENABLE (ATIVAR)/DISABLE (DESATIVAR) Selecione se pretende activar ou desactivar a con- cessão de acesso.
		ACCESS REFU- SE (RECUSA DE ACESSO)	ENABLE (ATIVAR)/DISABLE (DESATIVAR) Selecione se pretende activar ou desactivar o blo- queio de acesso.
	IPv6*1	ENABLE (ATI- VAR)	YES (SIM)/NO (NÃO)
		AUTO SETTING (CONFIG. AU- TOM.)*4	YES (SIM)/NO (NÃO) Se seleccionar YES (SIM), a configuração automá- tica de IPv6 é activada.
		LINK LOCAL*4	Apresenta o endereço de ligação local
		GLOBAL AD- DRESS (ENDE- REÇO GLO- BAL)*4	Apresenta o endereço global.
		GATEWAY AD- DRESS (ENDE- REÇO GATE- WAY)*4	Apresenta o endereço gateway.
	NETWARE	ENABLE (ATIVAR)	YES (SIM)/ NO (NÃO)
	APPLE- TALK	ENABLE (ATIVAR)	YES (SIM)/NO (NÃO)
	SPEED/DUPLEX (Veloc./DUPLEX)		AUTO/10BASE FULL/10BASE HALF/100BASE FULL/ 100BASE HALF/1000BASE FULL Especifique a velocidade de transmissão na rede e o método de transmissão para transmissão bi-direc- cional.
	IEEE802.1 X	ENABLE (ATIVAR)	YES (SIM)/ NO (NÃO)

Itens	Configurações (padrão a negrito)/Descrição
MEMORY DIRECT (DIR. DA MEMÓRIA)*5	ENABLE (ATIVAR)/DISABLE (DESATIVAR)
	Seleccione se pretende activar ou desactivar a impressão directamente a partir da memória.

*1 Este item aparece quando INTERFACE MENU (MENU INTERFACE)/ETHERNET/TCP/IP/ENABLE (ATIVAR) é configurado como YES (SIM).

*2 Se configurar HTTP/ENABLE (ATIVAR) como NO (NÃO), não é possível configurar IPP.

*3 Este item aparece quando INTERFACE MENU (MENU INTERFACE)/ETHERNET/TCP/IP/RAW PORT (PORTA RAW)/ENABLE (ATIVAR) é configurado como YES (SIM).

*4 Este item aparece quando INTERFACE MENU (MENU INTERFACE)/ETHERNET/TCP/IP/IPV6/ENABLE (ATIVAR) é configurado como YES (SIM).

*5 Este item aparece apenas se estiver instalado um disco rígido opcional.

SYS DEFAULT MENU (MENU PADR SISTEMA)

Neste menu é possível especificar configurações para ajustar o funcionamento da impressora, tais como o idioma de apresentação da janela de mensagens e o período de tempo até a máquina entrar no modo de economia de energia.

Nota:

Se SYS DEFAULT MENU (MENU PADR SISTEMA)/SECURITY (SEGURANÇA)/LOCK PANEL (BLOQUEAR PAINEL) for configurado como ON (LIG), a palavra-passe deve ser introduzida de modo a que o conteúdo de SYS DEFAULT MENU (MENU PADR SISTEMA) seja exibido. Para mais informações sobre LOCK PANEL (BLOQUEAR PAINEL), consulte “SYS DEFAULT MENU (MENU PADR SISTEMA)” na página 48.

Itens	Configurações (padrão a negrito)/Descrição
LANGUAGE (Language)	ENGLISH/FRANÇAIS/DEUTSCH/ESPAÑOL/ITALIANO/PORTUGUÊS/ČEŠTINA/한국어/繁體中文/NEDERLANDS/РУССКИЙ/ПОLSKI/TÜRKÇE
	Seleccione o idioma dos menus e mensagens que aparecem na janela de mensagens.

Itens		Configurações (padrão a negrito)/Descrição	
EMULA- TION (EMULA- ÇÃO)	DEF. EMULATION (DEF. EMULAÇÃO)	AUTO /POSTSCRIPT/PCL Especifique a linguagem de emulação da impressora. Se seleccionar AUTO , a impressora selecciona automaticamente a linguagem de emulação da impressora a partir do fluxo de dados.	
	POSTSCRIPT	WAIT TIMEOUT (ESP. TEMPO LIM.)	0-300 Especifique o período de tempo até um erro ser determinado como sendo um erro de PostScript. Se seleccionar 0 , não existe qualquer tempo limite.
		PS ERROR PAGE (PÁG ERRO PS)	ON (LIG)/OFF (DESAT.) Selecione se pretende que seja impressa uma página de erro quando ocorrer um erro de Postscript.
	PS PROTOCOL (PROTOCOLO PS)	AUTO /NORMAL/BINARY (BINÁRIO)	Especifique o protocolo para a transmissão de dados com um fluxo de dados PostScript. Se seleccionar AUTO , a impressora selecciona automaticamente um protocolo aplicável a partir do fluxo de dados.
		AUTO TRAPPING (REGISTRO AUTOM.)	ON (LIG)/OFF (DESAT.) Selecione se pretende que as cores adjacentes sejam impressas sobrepostas de modo a evitar espaços brancos em torno das imagens.

Itens		Configurações (padrão a negrito)/Descrição	
		BLACK OVERPRINT (SOBRE-POS. PRETO)	<p>TEXT/GRAPHIC (TEXTO/GRÁFICO), TEXT (TEXTO)/OFF (DESAT.)</p> <p>Especifique se pretende que os objectos pretos sejam impressos (sobrepostos) numa cor adjacente de modo a evitar espaços brancos em torno de caracteres ou figuras pretas.</p> <p>Se seleccionar TEXT/GRAPHIC (TEXTO/GRÁFICO), a impressão sobreposta é aplicada ao texto e aos gráficos.</p> <p>Se seleccionar TEXT (TEXTO), a impressão sobreposta é aplicada ao texto.</p>
PCL		CR/LF MAPPING	<p>CR=CR LF=LF/CR=CRLF LF=LF/CR=CR LF=LFCR/CR=CRLF LF=LFCR</p> <p>Selecione as configurações dos códigos CR/LF na linguagem PCL.</p>
		LINES PER PAGE (LINHAS POR PÁG.)	<p>5-60-128</p> <p>Especifique o número de linhas por página na linguagem PCL.</p>
	FONT SOURCE (ORIG. FONTE)	FONT NUMBER (NÚMERO FONTE)	<p>0-102</p> <p>Especifique a fonte padrão na linguagem PCL.</p> <p>Os números de fontes que aparecem correspondem à lista de fontes PCL. Para mais informações sobre a impressão da lista de fontes, consulte "PRINT MENU (MENU IMPRESSÃO)" na página 32.</p>
		PITCH SIZE (ESPAÇAMENTO) (POINT SIZE (TAMANHO PONTO))	<p>0.44-10.00-99.99(4.00-12.00-999.75)</p> <p>Especifique o tamanho de fonte na linguagem PCL.</p> <p>Se o FONT NUMBER (NÚMERO FONTE) seleccionado for para uma fonte bitmap, PITCH SIZE (ESPAÇAMENTO) aparece. Se o FONT NUMBER (NÚMERO FONTE) seleccionado for para uma fonte delineada, POINT SIZE (TAMANHO PONTO) aparece.</p>
		SYMBOL SET (CONJUNTO SÍMBOLOS)	<p>Especifique o símbolo configurado utilizado com a linguagem PCL.</p> <p>A configuração padrão é PC8.</p>

Itens		Configurações (padrão a negrito)/Descrição	
	XPS*1	DIGITAL SIGNATURE (ASSINAT. DIGITAL)	ENABLE (ATIVAR)/ DISABLE (DESATIVAR)
			Seleccione se pretende activar ou desactivar as assinaturas digitais XPS.
	XPS ERROR PAGE (PÁG. DE ERRO XPS)	ON (LIG) /OFF (DESAT.)	
		Seleccione se pretende que seja impresso um relatório de erros após ter ocorrido um erro XPS.	

Itens		Configurações (padrão a negrito)/Descrição	
PAPER (PAPEL)	DEFAULT PAPER (PAPEL PADRÃO)	PAPERSIZE (TAMANHO PAPEL)	<p>LETTER (CARTA), LEGAL, EXECUTIVE (EXECUTIVO), A4, A5, A6, B5(JIS), B6(JIS), GOVT LETTER (CARTA OFÍCIO), STATEMENT (DECLARAÇÃO), FOLIO (FÓLIO), SP FOLIO (FÓLIO ESPEC.), UK QUARTO, FOOLSCAP (PAPEL ALMAÇO), GOVT LEGAL (OFÍC. LEGAL), 16K, PHOTO 4x6 (FOTO 4x6)*2, KAI 16, KAI 32, ENV C6, ENV DL, ENV MONARCH, ENV CHOU#3 (ENV CHOU#3), ENV CHOU#4 (ENV CHOU#4), B5(ISO), ENV #10 (ENV Nº10), JPOST (C.POST J), JPOST-D (C.POST J DUP), 8 1/8x13 1/4, 8 1/2x13 1/2, CUSTOM (PERSONALIZ.)</p> <p>Selecione o formato do material que normalmente utilizada.</p>
		CUSTOM SIZE (TAM. PADRÃO)	<p>Especifique o formato do material quando PAPER SIZE (TAMANHO PAPEL) estiver configurado como CUSTOM (PERSONALIZ.).</p> <p>As unidades de configuração podem ser alternadas entre milímetros e polegadas com a configuração SYS DEFAULT MENU (MENU PADR SISTEMA)/PAPER (PAPEL)/UNIT OF MEASURE (UNID. MEDIÇÃO).</p> <p>O intervalo de configuração de WIDTH (LARGURA) é de 92 a 216 mm. A configuração padrão é de 210 mm.</p> <p>O intervalo de configuração de LENGTH (COMPRI-MENTO) é de 148 a 356 mm. A configuração padrão é de 297 mm.</p>
		PAPER TYPE (TIPO DE PAPEL)	<p>PLAIN PAPER (PAPEL LISO)/RECYCLED (RECICLADO)/THICK 1 (ESPESSURA 1)/THICK 2 (ESPESSURA 2)/ LABEL (ETIQUETA)/ENVELOPE/POSTCARD (CART POSTAL)/LETTERHEAD (TIMBRE)/GLOSSY 1 (BRILHANTE 1)/GLOSSY 2 (BRILHANTE 2)/SGL SIDE ONLY (SÓ UM LADO)/SPECIAL PAPER (PAPEL ESPECIAL)</p> <p>Selecione o tipo de material que normalmente utilizada.</p>
	UNIT OF MEASURE (UNID. MEDIÇÃO)		<p>INCHES (POLEGADAS)/MILLIMETERS (MILÍMETROS)</p> <p>As unidades para especificar o formato do material personalizado podem ser alternadas entre polegadas e milímetros.</p>

Itens	Configurações (padrão a negrito)/Descrição
<p>GRAYSCALE PAGE (PÁG. ESCALA CINZA)</p>	<p>AUTO/GRAYSCALE PRINT (IMPR. ESCALA CINZ)/COLOR PRINT (IMPR. CORES)</p> <p>Especifique a operação a efectuar para as páginas a preto e branco numa tarefa especificada para impressão a cores.</p> <p>Se seleccionar AUTO, a impressora determina se os dados são a cores ou a preto e branco antes de os imprimir.</p> <p>Se seleccionar GRAYSCALE PRINT (IMPR. ESCALA CINZ), a impressão a preto e branco é automaticamente efectuada dependendo de cada página. Em alguns casos pode diminuir a velocidade de impressão, mas reduz o consumo dos cartuchos de toner a cores e da unidade fotocondutora.</p> <p>Se seleccionar COLOR PRINT (IMPR. CORES), é efectuada a impressão a cores, mesmo numa página a preto e branco.</p>
<p>STARTUP OPTIONS (OPÇÕES INICIAL.)</p>	<p>DO STARTUP PAGE (EXEC.PÁG.INICIAL)</p> <p>ON (LIG)/OFF (DESAT.)</p> <p>Selecione se pretende que seja impressa uma página de arranque ao ligar a impressora.</p>
<p>AUTO CONTINUE (Continuar Auto.)</p>	<p>ON (LIG)/OFF (DESAT.)</p> <p>Selecione se pretende que a impressão continue se o formato ou tipo de material na bandeja seleccionada for diferente do formato ou tipo de material da tarefa de impressão.</p> <p>Se configurar AUTO CONTINUE (CONTINUAR AUTOM.) como ON (LIG), a impressão continua automaticamente após cerca de 10 segundos nas seguintes condições. Nesta altura, a impressão será efectuada mesmo se o formato do material for diferente.</p> <p>Sem material: PAPER EMPTY (SEM PAPEL)/TRAY EMPTY ("Mensagens de erro (chamada do operador)" na página 153)</p> <p>Formato/tipo de material diferente: PAPER ERROR (ERRO DE PAPEL)/TRAY X PAPER ERR (BAND X ERR PAPEL) ("Mensagens de erro (chamada do operador)" na página 153)</p>

Itens	Configurações (padrão a negrito)/Descrição
HOLD JOB TIMEOUT (TEMP.LIM.TRAB.RET)	<p>DISABLE (DESATIVAR)/1 hour (1 hora)/4 hours (4 horas)/1 day (1 dia)/1 week (1 semana)</p> <p>Especifique o período de tempo até as tarefas de impressão guardadas no disco rígido serem eliminadas. Se seleccionar DISABLE (DESATIVAR), as tarefas de impressão não serão eliminadas num momento específico.</p>
ENERGY SAVER TIME (TEMPO ECON.ENERG)	<p>5 minutes (5 minutos)/6 minutes (6 minutos)/7 minutes (7 minutos)/8 minutes (8 minutos)/9 minutes (9 minutos)/10 minutes (10 minutos)/11 minutes (11 minutos)/12 minutes (12 minutos)/13 minutes (13 minutos)/14 minutes (14 minutos)/15 minutos (15 minutos)/30 minutes (30 minutos)/1 hour (1 hora)/3 hours (3 horas)</p> <p>Especifique o período de tempo até a máquina entrar no modo de economia de energia.</p>
MENU TIMEOUT (TEMPO LIM. MENU)	<p>OFF (DESAT.)/1 minute (1 minuto)/2 minutes (2 minutos)</p> <p>Especifique o período de tempo até o ecrã de estado ser apresentado quando não for efectuada qualquer operação enquanto é apresentado um menu ou ecrã de ajuda na janela de mensagens. Se seleccionar OFF (DESAT.), não ocorre qualquer tempo limite.</p>
LCD CONTRAST (Contraste LCD)	<p>-3/-2/-1/0/+1/+2/+3</p> <p>Ajuste o contraste da janela de mensagens.</p> <p>A configuração do nível mais escuro é -3 e a configuração do nível mais claro é +3.</p>

Itens	Configurações (padrão a negrito)/Descrição	
SECURITY (SEGU-RANÇA)	CHANGE PASSWORD (ALTERAR SENHA)	<p>Especifique a palavra-chave para bloquear o painel de controlo.</p> <p>Se a palavra-chave for configurada como 0000 (padrão), o painel de controlo não é bloqueado. De modo a bloquear o painel de controlo, certifique-se de que especifica uma palavra-chave diferente de 0000.</p>
	LOCK PANEL (BLOQUEAR PAINEL)	<p>OFF (DESAT.)/MINIMUM (MÍNIMO)/ON (LIG)</p> <p>Especifique a forma como o painel de controlo é bloqueado.</p> <p>Se seleccionar OFF (DESAT.), o painel de controlo não é bloqueado.</p> <p>Se seleccionar MINIMUM (MÍNIMO), INTERFACE MENU (MENU INTERFACE) e SYS DEFAULT MENU (MENU PADR SISTEMA) são protegidos com uma palavra-passe.</p> <p>Se seleccionar ON (LIG), todos os menus são protegidos com uma palavra-chave.</p> <p>De modo a bloquear o painel de controlo, certifique-se de que especifica uma palavra-chave diferente de 0000.</p>
CLOCK (RELÓ-GIO)	DATE (DD.MM.YY) (DATA (DD.MM.AA))	Especifique a data do relógio interno da impressora.
	TIME (HORA)	Especifique a hora do relógio interno da impressora.
	TIME ZONE (FUSO HORÁRIO)	-12:00-00:00+13:00
HDD FOR-MAT (FORMA-TO HDD)*3	USER AREA ONLY (ÁREA EXCL.USUÁR)	Inicialize a área do utilizador no disco rígido. Ao seleccionar este menu, a impressora é reiniciada automaticamente.
	ALL (TODOS)	Inicialize o disco rígido. Ao seleccionar este menu, a impressora é reiniciada automaticamente.
RESTORE DE-FAULTS (REST. PA-DRÕES)	RESTORE NETWORK (RESTAURAR REDE)	Redefina as configurações de rede de acordo com os seus padrões. Ao seleccionar este menu, a impressora é reiniciada automaticamente.
	RESTORE PRINTER (RESTAURAR IMPRES)	Redefina as configurações da impressora de acordo com os seus padrões. Ao seleccionar este menu, a impressora é reiniciada automaticamente.
	RESTORE ALL (RESTAURAR TUDO)	Redefina todas as configurações de acordo com os seus padrões. Ao seleccionar este menu, a impressora é reiniciada automaticamente.

Itens			Configurações (padrão a negrito)/Descrição
ENABLE WARNING (ATIV ADVERT)	PAPER EMPTY (SEM PAPEL)	TRAY1 (Bandeja1)	ON (LIG)/OFF (DESAT.) Selecione se pretende que apareça um aviso quando a bandeja 1 ficar sem material.
		TRAY2 (Bandeja2)	ON (LIG)/OFF (DESAT.) Selecione se pretende que apareça um aviso quando a bandeja 2 ficar sem material.
		TRAY3 (BAND3)*4	ON (LIG)/OFF (DESAT.) Selecione se pretende que apareça um aviso quando a bandeja 3 ficar sem material.
	TONER LOW (Toner Baixo)		ON (LIG)/OFF (DESAT.) Selecione se pretende que apareça um aviso quando o toner estiver prestes a acabar.
	P/U LOW (U/F BAIXA)		ON (LIG)/OFF (DESAT.) Selecione se pretende que apareça um aviso quando a unidade fotocondutora estiver prestes a chegar ao fim da vida útil.

*1 Este item aparece apenas se estiver instalado um disco rígido opcional.

*2 Dependendo da configuração seleccionada para `SYSDFAULTMENU` (MENU PADR SISTEMA)/`PAPER` (PAPEL)/`UNIT OF MEASURE` (UNID. MEDIÇÃO), `PHOTO 4x6` (FOTO 4x6) pode ser alterado para `PHOTO 10x15` (FOTO 10x15).

*3 Estes itens aparecem apenas se estiver instalado um disco rígido opcional.

*4 Este item aparece apenas se o alimentador opcional para 500 folhas de papel estiver instalado.

MAINTENANCE MENU (MENU MANUTENÇÃO)

Neste menu é possível efectuar a manutenção da impressora.

De modo a utilizar este menu, é necessário introduzir a palavra-passe de administrador.

Itens		Configurações (padrão a negrito)/Descrição	
PRINT MENU (MENU IMPRESSÃO)	EVENT LOG (LOG DE EVENTOS)		PRINT (IMPRIMIR)/CANCEL (CANCELAR) Imprime o registo de eventos.
	HALFTONE 64 (MEIO-TOM 64)	CYAN 64 (CIANO 64)/MAGENTA 64/YELLOW 64 (AMARELO 64)/BLACK 64 (PRETO 64)	PRINT (IMPRIMIR)/CANCEL (CANCELAR) Imprime o padrão de meios-tons utilizando 25% de densidade para cada cor CMYK.
	HALFTONE 128 (MEIO-TOM 128)	CYAN 128 (CIANO 128)/MAGENTA 128/YELLOW 128 (AMARELO 128)/BLACK 128 (PRETO 128)	PRINT (IMPRIMIR)/CANCEL (CANCELAR) Imprime o padrão de meios-tons utilizando 50% de densidade para cada cor CMYK.
	HALFTONE 256 (MEIO-TOM 256)	CYAN 256 (CIANO 256)/MAGENTA 256/YELLOW 256 (AMARELO 256)/BLACK 256 (PRETO 256)	PRINT (IMPRIMIR)/CANCEL (CANCELAR) Imprime o padrão de meios-tons utilizando 100% de densidade para cada cor CMYK.
	GRADATION (GRADAÇÃO)		PRINT (IMPRIMIR)/CANCEL (CANCELAR) Imprime o padrão de gradação.
	ALIGNMENT (ALINHAMENTO)	TOP ADJUSTMENT (AJUSTE SUPERIOR)	PLAIN PAPER (PAPEL LISO)/THICK (ESPESSURA)/THICK 2 (ESPESSURA 2)/ENVELOPE
LEFT ADJUSTMENT (AJUSTE ESQUERDO)			
LEFT ADJ DUPLEX (AJ. ESQ. DUPLEX)*1		LEFT ADJ TRAY1 (AJUS.ESQ. BAND1)/LEFT ADJ TRAY2 (AJUS.ESQ. BAND2)/LEFT ADJ TRAY3 (AJUS.ESQ. BAND3)	-15-15 Ajusta a margem esquerda do material alimentado a partir da bandeja 1/2/3 para impressão duplex (dois lado).

Itens			Configurações (padrão a negrito)/Descrição
	TRANSFER POWER (POTÊNCIA TRANSF.)	SIMPLEX PASS (PASS SIMPLEX)	<p>PLAIN PAPER (PAPEL LI-SO)/THICK 1 (ESPESSURA 1)/THICK 2 (ESPESSURA 2)/POST-CARD (CART POSTAL)/ENVELOPE/LABEL (ETIQUETA)/GLOSSY 1 (BRILHANTE 1)/GLOSSY 2 (BRILHANTE 2)</p> <p>-8-7</p> <p>Ajusta a 2ª saída de transferência de imagens (ATVC) para impressão simples (um lado) de papel liso/papel espesso 1/papel espesso 2/cartões postais/envelopes/etiquetas/material brilhante 1/material brilhante 2.</p>
		MANUAL DUPLEX	<p>PLAIN PAPER (PAPEL LI-SO)/THICK 1 (ESPESSURA 1)/THICK 2 (ESPESSURA 2)/POST-CARD (CART POSTAL)/ENVELOPE/LABEL (ETIQUETA)/GLOSSY 1 (BRILHANTE 1)/GLOSSY 2 (BRILHANTE 2)</p> <p>-8-7</p> <p>Ajusta a 2ª saída de transferência de imagens (ATVC) para impressão duplex (dois lados) de papel liso/papel espesso 1/papel espesso 2/cartões postais/envelopes/etiquetas/material brilhante 1/material brilhante 2.</p>
	IMG ADJ THICK (AJ. IMAG. ESPES)	CYAN (CIANO)/MAGENTA/YELLOW (AMARELO)/BLACK (PRETO)	<p>-5-0-5</p> <p>Ajusta de forma precisa a densidade de ciano/magenta/amarelo/preto para imagens impressas em papel espesso.</p>
	IMG ADJ BLACK (AJ. IMAG. PRETO)		<p>-2-0-2</p> <p>Ajusta de forma precisa a densidade das imagens impressas para impressão em escala de cinza.</p>

Itens		Configurações (padrão a negrito)/Descrição
	FINE LINE ADJ (AJ LINHA FINA)	-3-0-2 Ajuste a forma como as linhas finas são reproduzidas alterando a tensão aplicada (VC) ao rolo electrostático.
	AIDC MODE (MODO AIDC)	MODE 1 (MODO1)/ MODE 2 (MODO2) Selecione o modo de funcionamento AIDC. MODE 1 <MODO1>: Modo padrão MODE 2 <MODO2>: Modo baixo
	THICK MODE (MODO ESPESSE)	QUALITY MODE (MODO QUALIDADE)/SPEED MODE (MODO VELOCIDADE) De modo a evitar que o toner fique acumulado na unidade de revelação devido a esta ser accionada a velocidade intermédia, selecione o momento para accionar a unidade de revelação a alta velocidade durante um período de tempo fixo ao alimentar papel espesso. QUALITY MODE <MODO QUALIDADE>: Ao imprimir em papel espesso, a impressão é interrompida periodicamente e a unidade de revelação é accionada a alta velocidade durante um período de tempo fixo. Como a impressão é interrompida, a qualidade não é afectada; contudo, ocorre um tempo de espera de aproximadamente 70 segundos a aproximadamente cada 400 segundos durante o funcionamento a velocidade intermédia. SPEED MODE <MODO VELOCIDADE>: Ao imprimir em papel espesso, apenas o accionamento da unidade de revelação muda periodicamente para alta velocidade durante um período de tempo fixo. Como a impressão continua durante o accionamento a alta velocidade, a qualidade de impressão é ligeiramente afectada, apesar do tempo de espera ser breve.
MAIN SCAN ADJUST (DIGITAL.PRINCIPAL)	MAIN SCAN PAGE (PÁG.DIGIT.PRINC.)	PRINT (IMPRIMIR)/CANCEL (CANCELAR) Imprima o padrão de teste para um ajuste preciso das taxas de cor na direcção de digitalização principal.
	SCAN ADJUST VALUE (VALOR AJ. DIGIT.)	YELLOW (AMARELO)/MAGENTA/CYAN (CIANO) 42 - 0 - -42 Ajuste de forma precisa a taxa de amarelo/magenta/ciano na direcção de digitalização principal.

Itens			Configurações (padrão a negrito)/Descrição
SUPPLIES (ACESSÓRIOS)	REPLACE (SUBSTITUIR)	FUSERUNIT (UNIDADE FUSÃO)	YES (SIM)/NO (NÃO)
			Reinicia o contador da unidade de fusão.
QUICK SETTING (CONFIG. RÁPIDA)* ²	UPDATE SETTING (CONFIG. ATUALIZ.)		EXECUTE (EXECUTAR)/CANCEL (CANCELAR) Atualize as configurações da impressão de acordo com o ficheiro de definição de configuração da impressora armazenado no dispositivo de memória USB. Se seleccionar EXECUTE (EXECUTAR) , as configurações da impressora são actualizados. Se seleccionar CANCEL (CANCELAR) , as configurações não são actualizados.
	BACKUP SETTING (CONFIG. BACKUP)		EXECUTE (EXECUTAR)/CANCEL (CANCELAR) Armazene, sob a forma de ficheiro de configuração, as informações sobre a configuração actual da impressora num dispositivo de memória USB. Se seleccionar EXECUTE (EXECUTAR) , as configurações da impressora são guardadas num dispositivo de memória USB. Se seleccionar CANCEL (CANCELAR) , as configurações não são guardadas.
	BACKUP TYPE (TIPO BACKUP)		ALL (TODOS)/NETWORK (REDE)/PRINTER (IMPRESSORA) Seleccione as configurações a guardar num dispositivo de memória USB. Se seleccionar ALL (TODOS) , as configurações da impressora e as configurações de rede são guardadas no dispositivo de memória USB. Se seleccionar NETWORK (REDE) , as configurações de rede são guardadas no dispositivo de memória USB. Se seleccionar PRINTER (IMPRESSORA) , as configurações da impressora são guardadas no dispositivo de memória USB.

*¹ Este item aparece apenas para Epson AcuLaser C3900DN.

*² Este item aparece quando um dispositivo de memória USB é introduzido na porta de memória USB.

Capítulo 4

Directamente a partir da memória

Directamente a partir da memória

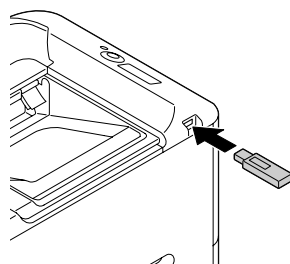
Os ficheiros PDF, XPS, JPEG e TIFF guardados em dispositivos de memória USB podem ser impressos introduzindo o dispositivo de memória USB na impressora.

Nota:

- ❑ A função *directamente a partir da memória* apenas pode ser utilizada se estiver instalado um disco rígido opcional.
- ❑ Os dispositivos de memória USB encriptados não são suportados.
- ❑ Para mais informações sobre a especificação das configurações no painel de controlo, consulte “MEMORY DIRECT (DIR. DA MEMÓRIA)” na página 43.

Imprimir a partir de um dispositivo de memória USB ligado

1. Introduza o dispositivo de memória USB na porta de memória USB.
O ícone USB aparece no canto superior direito da janela de mensagens e o menu MEMORY DIRECT (DIR. DA MEMÓRIA) aparece.



Nota:

Mesmo se configurar SYS DEFAULT MENU (MENU PADR SISTEMA)/SECURITY (SEGURANÇA)/LOCK PANEL (BLOQUEAR PAINEL) como ON (LIG), não é necessária uma palavra-chave para o menu que aparece quando o dispositivo de memória USB é introduzido.

2. Seleccione LIST OF FILES (LISTA DE ARQUIVOS) e, em seguida, prima a tecla **Menu/Select**.

Nota:

Quando todos os ficheiros (PDF, XPS, JPEG e TIFF) forem apresentados, seleccione TYPE OF FILES (ARQUIVOS DO TIPO) e, em seguida, prima a tecla **Menu/Select**.

3. Na lista de ficheiros, seleccione o ficheiro que pretende imprimir e, em seguida, prima a tecla **Menu/Select**.
Se o ficheiro a ser impresso estiver numa pasta, seleccione a pasta e, em seguida, prima a tecla **Menu/Select**.

Nota:

- É possível apresentar no máximo 99 pastas e ficheiros.
 - Podem ser apresentados até 8 níveis de pastas.
4. Seleccione PRINT (IMPRIMIR) e, em seguida, prima a tecla **Menu/Select**.
Quando a impressão estiver concluída, o ecrã de estado aparece novamente.

Nota:

- Podem ser especificadas configurações para o formato do papel, impressão duplex (apenas para C3900DN), número de cópias e intercalar.
- Não retire o dispositivo de memória USB da porta de memória USB durante a impressão directamente a partir da memória.

Capítulo 5

Manusear material

Material de impressão

Especificações

Material	Formato do material		Bandeja*1	Duplex*2 (dois lados)
	Polegadas	Milímetros		
Carta	8,5 x 11,0	215,9 x 279,4	1/2/3	Sim
Legal	8,5 x 14,0	215,9 x 355,6	1/3	Sim
Declaração	5,5 x 8,5	139,7 x 215,9	1/2	Não
Executivo	7,25 x 10,5	184,2 x 266,7	1/2/3	Sim
A4	8,2 x 11,7	210,0 x 297,0	1/2/3	Sim
A5	5,9 x 8,3	148,0 x 210,0	1/2	Não
A6	4,1 x 5,8	105,0 x 148,0	1/2	Não
B5 (JIS)	7,2 x 10,1	182,0 x 257,0	1/2/3	Sim
B6	5,0 x 7,2	128,0 x 182,0	1/2	Não
Folio	8,25 x 13,0	210,0 x 330,0	1	Sim
Fólio SP	8,5 x 12,69	215,9 x 322,3	1	Sim
Papel almaço	8,0 x 13,0	203,2 x 330,2	1	Sim
UK Quarto	8,0 x 10,0	203,2 x 254,0	1/2	Sim
Carta (governo)	8,0 x 10,5	203,2 x 266,7	1/2	Sim
Ofício (governo)	8,5 x 13,0	215,9 x 330,2	1/3	Sim
Formato de fotografia 4" x 6"/10 x 15	4,0 x 6,0	101,6 x 152,4	1/2	Não
16 K	7,7 x 10,6	195,0 x 270,0	1/2	Sim
Kai 16	7,3 x 10,2	185,0 x 260,0	1/2	Sim

Material	Formato do material		Bandeja ^{*1}	Duplex ^{*2} (dois lados)
	Polegadas	Milímetros		
Kai 32	5,1 x 7,3	130,0 x 185,0	1/2	Não
8 1/2 x 13 1/2	8,5 x 13,5	215,9 x 342,9	1	Sim
8 1/8 x 13 1/4	8,125 x 13,25	206,4 x 336,6	1	Sim
Catão postal japonês	3,9 x 5,8	100,0 x 148,0	1	Não
Cartão postal japonês-D	5,8 x 7,9	148,0 x 200,0	1	Não
B5 (ISO)	6,9 x 9,8	176,0 x 250,0	1	Não
Envelope nº 10	4,125 x 9,5	104,8 x 241,3	1	Não
Envelope DL	8,7 x 4,3	220,0 x 110,0	1	Não
Envelope C6	6,4 x 4,5	162,0 x 114,0	1	Não
Envelope Monarch	7,5 x 3,875	190,5 x 98,4	1	Não
Envelope Chou nº 3	4,7 x 9,2	120,0 x 235,0	1	Não
Envelope Chou nº 4	3,5 x 8,1	90,0 x 205,0	1	Não
Formato personalizado	3,6-8,5 x 5,8-14,0	92,0-216,0 x 148,0-356,0	1 ^{*3}	Sim ^{*4}
Formato personalizado	3,6-8,5 x 5,8-11,7	92,0-216,0 x 148,0-297,0	2	Sim ^{*5}

*1 Bandeja 1 = Bandeja de alimentação manual
Bandeja 3 = alimentador para 500 folhas de papel (opcional)

*2 Apenas para Epson AcuLaser C3900DN

*3 Embora a largura máxima suportada seja 216,0 mm (8,5"), é possível alimentar o formato Envelope DL (largura: 220 mm (8,7")).

*4 O formato mínimo possível para impressão duplex (dois lados) é 182,0 x 254,0 mm (7,2" x 10,0").
O formato máximo possível para impressão duplex (dois lados) é 216,0 x 356,0mm (8,5" x 14,0").

*5 O formato mínimo possível para impressão duplex (dois lados) é 182,0 x 254,0 mm (7,2" x 10,0").
O formato máximo possível para impressão duplex (dois lados) é 216,0 x 297,0 mm (8,5" x 11,69").

Nota:

Para formatos personalizados, utilize o controlador de impressão para especificar as configurações dentro dos intervalos apresentados na tabela existente na página anterior.

Tipos de material

Mantenha o material numa superfície plana e nivelada no invólucro original até chegar a altura de o carregar.

Nota:

Antes de imprimir um número elevado de cópias em papel especial (diferente de papel liso), efectue um teste de impressão para verificar a qualidade do resultado de impressão.

Papel liso (Papel reciclado)

Capacidade	Bandeja 1	Até 100 folhas, dependendo da gramagem.
	Bandeja 2	Até 250 folhas, dependendo da gramagem.
	Bandeja 3	Até 500 folhas, dependendo da gramagem.
Orientação	Bandeja 1	Face para baixo
	Bandeja 2/3	Face para cima
Tipo de material do controlador	Plain Paper (Papel liso) (Recycled (Reciclado))	
Peso	60–90 g/m ²	
Duplex	Consulte “Material de impressão” na página 63 para obter informações sobre os formatos suportados.	

Utilize papel liso que seja

Adequado para impressoras laser de papel liso, tal como papel de escritório padrão ou reciclado.

NÃO utilize material que seja

- Revestido por uma superfície processada (tal como papel químico e papel colorido que tenha sido tratado)
- Material não aprovado para transferência com o ferro (tal como papel de calor-pressão e papel de transferência através de calor-pressão)
- Papel de transferência com água fria
- Sensível à pressão
- Concebido especificamente para impressoras a jacto de tinta (tal como papel super-fino, papel brilhante, película brilhante e cartões postais)

- Papel que já tenha sido impresso
 - Papel que tenha sido impresso numa impressora de jacto de tinta
 - Papel que tenha sido impresso numa impressora/fotocopiadora laser monocromática/a cores
 - Papel que tenha sido impresso numa impressora de transferência através de calor
 - Papel que tenha sido impresso em qualquer outra impressora ou máquina de fax
- Com pó
- Molhadas (ou húmidas)

Nota:

Mantenha o material com uma humidade relativa entre 35% e 85%. O toner não adere correctamente a papel húmido ou molhado.

- Com camadas
- Autocolante
- Dobrado, amarrotado, enrolado, com relevo, curvado ou amachucado
- Perfurado, furado com três furos ou rasgado
- Demasiado escorregadio, áspero ou com demasiadas texturas
- Com textura diferente (rugosidade) na frente e verso
- Muito fino ou espesso
- Com electricidade estática
- Composto por metal ou dourado; demasiado luminoso
- Sensível ao calor ou incapaz de suportar a temperatura de fusão (205°C [401°F])
- Com formas irregulares (que não seja rectangular ou não esteja cortado em ângulos rectos)
- Unido com cola, fita-cola, cliques, agrafos, fitas, ganchos ou botões
- Ácido
- Qualquer outro material que não seja aprovado

Alta gramatura

O papel espesso com mais de 90 g/m² é referido como alta gramatura. Pode imprimir continuamente em alta gramatura. Contudo, isso pode afectar a alimentação de material, dependendo da qualidade do material e do ambiente de impressão. Se ocorrerem problemas, pare a impressão contínua e imprima uma folha de cada vez.

Capacidade	Bandeja 1/2	Até 20 folhas, dependendo da sua espessura.
	Bandeja 3	Não suportado
Orientação	Bandeja 1	Face para baixo
	Bandeja 2	Face para cima
Tipo de material do controlador	Thick 1 (Espessura 1) (91–150 g/m ²) Thick 2 (Espessura 2) (151–210 g/m ²)	
Gramagem	91–210 g/m ²	
Duplex	Consulte “Especificações” na página 63 para obter informações sobre os formatos suportados	

Envelope

Imprima apenas na parte da frente (morada). Algumas partes do envelope são compostas por três camadas de papel—a frente, o verso e a aba. A impressão nestas zonas com camadas pode não ocorrer ou ficar desvanecida.

Pode imprimir continuamente em envelopes. Contudo, isso pode afectar a alimentação de material, dependendo da qualidade do material e do ambiente de impressão. Se ocorrerem problemas, pare a impressão contínua e imprima uma folha de cada vez.

Capacidade	Bandeja 1	Até 10 folhas, dependendo da sua espessura
	Bandeja 2/3	Não suportado
Orientação	Face para baixo	
Tipo de material do controlador	Envelope	
Duplex	Não suportado	

Utilize envelopes que sejam

- Envelopes de escritório normais aprovados para impressão a laser com uniões diagonais, abas e margens proeminentes e abas com cola normal

Nota:

Como os envelopes passam através dos rolos aquecidos, a área com cola nas abas pode ficar selada. A utilização de cola à base de emulsão evita esse problema.

- Aprovados para impressão a laser
- Secos

NÃO utilize envelopes que tenham

- Abas aderentes
- Selos de fita, fechos de metal, cliques de papel, fechos ou faixas de remoção para selar
- Janelas transparentes
- Superfícies muito rugosas
- Material que derreta, vaporize, se desvie, descolore ou emita fumos perigosos
- Pré-selados

Etiquetas

Uma folha de etiquetas é composta por uma folha de face (a superfície de impressão), cola e uma folha de transporte:

- A folha de transporte deve seguir a especificação do papel liso.
- A superfície da folha da face deve cobrir a totalidade da folha de transporte e não deve estar exposta qualquer cola à superfície.

Pode imprimir continuamente em folhas de etiquetas. Contudo, isso pode afectar a alimentação de material, dependendo da qualidade do material e do ambiente de impressão. Se ocorrerem problemas, pare a impressão contínua e imprima uma folha de cada vez.

Consulte a documentação da aplicação para obter mais informações acerca de impressão da etiquetas.

Capacidade	Bandeja 1/2	Até 20 folhas, dependendo da sua espessura
	Bandeja 3	Não suportado
Orientação	Bandeja 1	Face para baixo
	Bandeja 2	Face para cima

Tipo de material do controlador	Label (Etiqueta)
Duplex	Não suportado

Utilize folhas de etiquetas que sejam

- Recomendadas para impressoras a laser

NÃO utilize folhas de etiquetas que

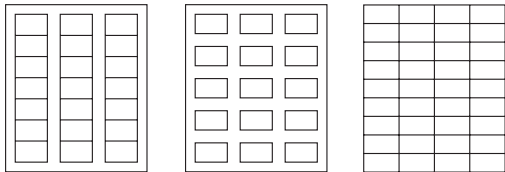
- Tenham etiquetas que sejam facilmente descoladas ou com partes da etiqueta já retiradas
- Com folhas de suporte que se tenham descolado ou tenham autocolante exposto

Nota:

As etiquetas podem ficar presas ao fusor, fazendo com que descolem e ocorram problemas de alimentação do material.

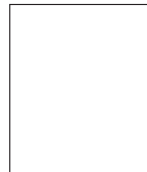
- Sejam pré-cortadas ou perfuradas

Não utilize



Papel com verso brilhante

Pode utilizar



Etiquetas de página completa (não cortadas)

Papel timbrado

Pode imprimir continuamente em papel timbrado. Contudo, isso pode afectar a alimentação de material, dependendo da qualidade do material e do ambiente de impressão. Se ocorrerem problemas, pare a impressão contínua e imprima uma folha de cada vez.

Experimente imprimir primeiro os dados numa folha de papel liso para verificar a disposição.

Capacidade	Bandeja 1/2	Até 20 folhas, dependendo do seu formato e espessura
	Bandeja 3	Não suportado

Orientação	Bandeja 1	Face para baixo
	Bandeja 2	Face para cima
Tipo de material do controlador	Letterhead (Papel timbrado)	
Duplex	Não suportado	

Cartão postal

Pode imprimir continuamente em cartões postais. Contudo, isso pode afectar a alimentação de material, dependendo da qualidade do material e do ambiente de impressão. Se ocorrerem problemas, pare a impressão contínua e imprima uma folha de cada vez.

Experimente imprimir primeiro os dados numa folha de papel liso para verificar a disposição.

Capacidade	Bandeja 1/2	Até 20 folhas, dependendo da sua espessura
	Bandeja 3	Não suportado
Orientação	Bandeja 1	Face para baixo
	Bandeja 2	Face para cima
Tipo de material do controlador	Postcard (Cartão postal)	
Duplex	Não suportado	

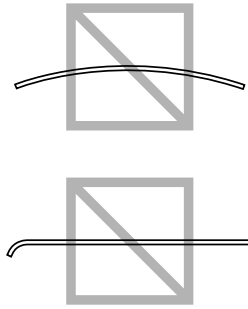
Utilize cartões postais que sejam

- Aprovado para impressoras a laser

NÃO utilize cartões postais que sejam

- Revestidos
- Concebidos para impressoras a jacto de tinta
- Pré-cortados ou perfurados
- Pré-impessos ou com várias cores

- ❑ Dobrados ou amarrotados



Nota:

Se o cartão postal estiver curvado, pressione a área curvada antes de o colocar na bandeja.



Material brilhante

Pode imprimir continuamente em material brilhante. Contudo, isso pode afectar a alimentação de material, dependendo da qualidade do material e do ambiente de impressão. Se ocorrerem problemas, pare a impressão contínua e imprima uma folha de cada vez.

Consulte a documentação da aplicação para obter mais informações acerca de impressão em material brilhante.

Capacidade	Bandeja 1/2	Até 20 folhas, dependendo da sua espessura.
	Bandeja 3	Não suportado
Orientação	Bandeja 1	Face para baixo
	Bandeja 2	Face para cima
Tipo de material do controlador	Glossy1 (Brilhante1) (100–128 g/m ²) Glossy2 (Brilhante2) (129–158 g/m ²)	
Gramagem	100–158 g/m ²	
Duplex	Não suportado	

Só um lado

Imprima só num lado.

Pode imprimir continuamente com papel de impressão só num lado. Contudo, isso pode afectar a alimentação de material, dependendo da qualidade do material e do ambiente de impressão. Se ocorrerem problemas, pare a impressão contínua e imprima uma folha de cada vez.

Selecione esta configuração quando papel que não deve ser utilizado com cópia dos dois lados (por exemplo, quando um dos lados já tiver sido impresso) for carregado como papel liso com uma gramagem de 60–90 g/m².

Capacidade	Bandeja 1	Até 100 folhas, dependendo da gramagem.
	Bandeja 2	Até 250 folhas, dependendo da gramagem.
	Bandeja 3	Até 500 folhas, dependendo da gramagem.
Orientação	Bandeja 1	Face para baixo
	Bandeja 2/3	Face para cima
Tipo de material do controlador	Single Side Only (Só um lado) (60–90 g/m ²)	
Gramagem	60–90 g/m ²	
Duplex	Não suportado	

Utilize papel de impressão só num lado que seja

- Adequado para impressoras laser de papel liso, tal como papel de escritório padrão ou reciclado
- Papel liso que já tenha sido impresso com a mesma impressora

NÃO utilize papel de impressão só num lado que

- Não seja aprovado para ser utilizado como papel liso

Papel especial

Pode imprimir continuamente em papel especial. Contudo, isso pode afectar a alimentação de material, dependendo da qualidade do material e do ambiente de impressão. Se ocorrerem problemas, pare a impressão contínua e imprima uma folha de cada vez.

Selecione esta configuração quando papel especial como, por exemplo, papel de elevada qualidade, for carregado como papel liso com uma gramagem de 60–90 g/m².

Capacidade	Bandeja 1	Até 100 folhas, dependendo da gramagem.
	Bandeja 2	Até 250 folhas, dependendo da gramagem.
	Bandeja 3	Até 500 folhas, dependendo da gramagem.
Orientação	Bandeja 1	Face para baixo
	Bandeja 2/3	Face para cima
Tipo de material do controlador	Special Paper (Papel especial) (60–90 g/m ²)	
Gramagem	60–90 g/m ²	
Duplex	Consulte “Material de impressão” na página 63 para obter informações sobre os formatos suportados.	

Utilize papel especial que seja

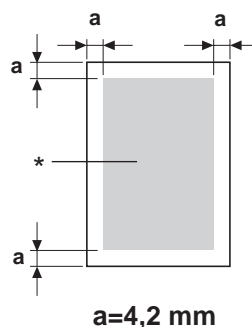
- Aprovado para impressoras a laser

NÃO utilize papel especial que

- Não seja aprovado para ser utilizado como papel liso

Área de impressão

A área de impressão em todos os formatos de materiais é até 4,2 mm a partir das margens do material.



* Área de impressão

Cada formato de material tem uma área de impressão específica (a área máxima em que a impressora pode imprimir correctamente e sem distorção).

Esta área está sujeita aos limites do hardware (o formato físico do material e as margens necessárias pela impressora) e as restrições do software (a quantidade de memória disponível para a memória temporária da estrutura da página completa). A área de impressão em todos os formatos de materiais é a do formato da página menos 4,2 mm a partir de todas das margens do material.

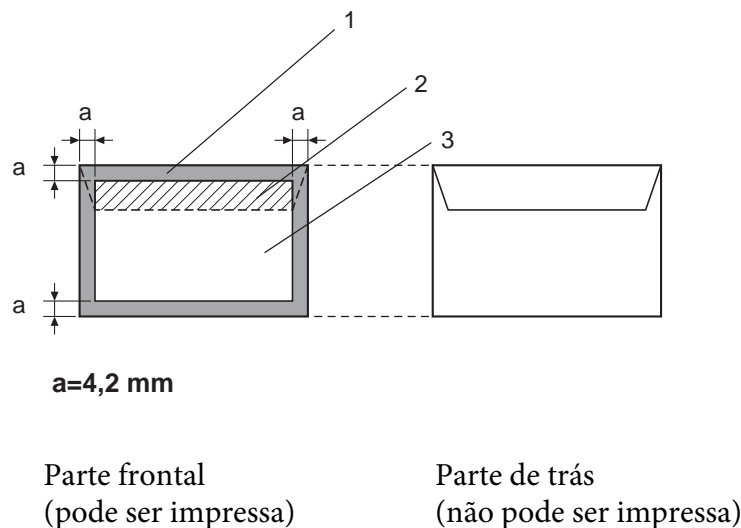
Nota:

Ao imprimir a cores em material de tamanho legal, existem as seguintes limitações.

- ❑ A área de impressão é de 347,2 mm a partir da margem frontal do papel. (Contudo, existe uma área de não impressão até 4,2 mm a partir da margem frontal.)
- ❑ A margem inferior é de 14,2 mm.

Envelopes

Os envelopes apenas podem ser impressos na parte frontal (lado onde o endereço de destinatário é escrito). Além disso, não é possível garantir a impressão na parte frontal da área que se sobrepõe à aba no verso. A localização desta área difere dependendo do tipo de envelope.



1. Área que não pode ser impressa
2. Área de impressão não garantida
3. Área de impressão garantida

Nota:

A orientação de impressão do envelope é determinada pela aplicação.

Margens das páginas

As margens são determinadas pela aplicação. Algumas aplicações permitem-lhe definir tamanhos de página e margens personalizados enquanto outros possuem apenas tamanhos de página e margens padrão seleccionáveis. Se seleccionar um formato padrão, pode perder parte da imagem (devido a restrições da área de impressão). Se puder personalizar o tamanho das páginas através da aplicação, utilize os tamanhos fornecidos para a área de impressão de modo a obter os resultados ideais.

Colocar material**Nota:**

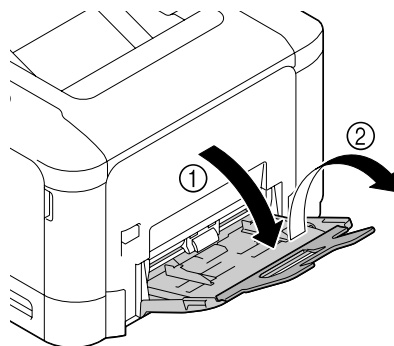
- ❑ Não misture materiais de diferentes tipos e formatos, pois irá provocar problemas de alimentação do material ou problemas com a máquina.
- ❑ As margens do papel são afiadas e podem provocar ferimentos.

Ao recarregar material, primeiro retire o material que se encontra na bandeja. Empilhe o material novo, alinhe as margens e carregue-o.

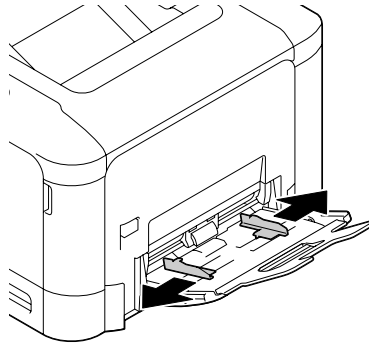
Bandeja 1 (bandeja de alimentação manual)

Para mais informações sobre os tipos e formatos de materiais que podem ser impressos a partir da bandeja 1, consulte “Material de impressão” na página 63.

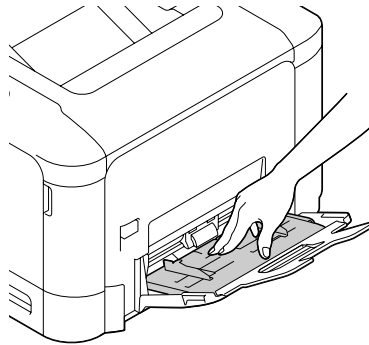
1. Abra a bandeja 1.



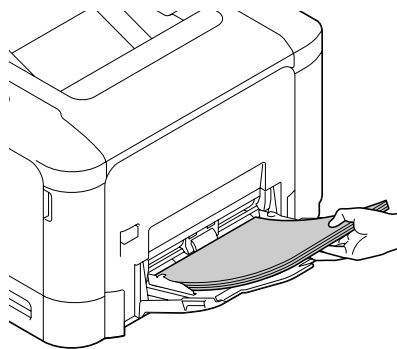
2. Faça deslizar as guias do material para libertar mais espaço entre si.



3. Pressione o centro da placa de elevação do papel até as patilhas de bloqueio esquerda e direita (brancas) encaixarem no lugar.

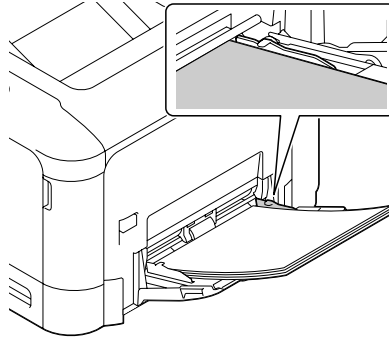


4. Carregue o papel com a face para baixo na bandeja.

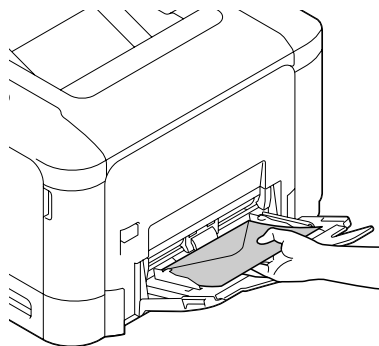


Nota:

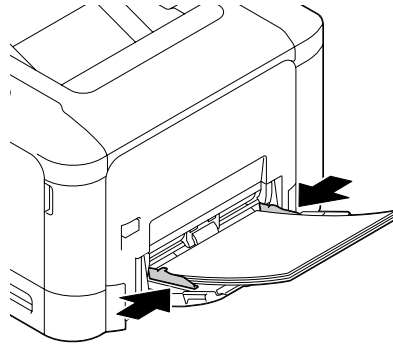
- ❑ Não carregue papel em demasia para evitar que a pilha seja mais alta do que a guia de limite máximo. Podem ser carregadas até 100 folhas (80 g/m² [22 lb]) de papel liso na bandeja em simultâneo.



- ❑ Para saber qual a capacidade máxima de cada origem do papel, consulte “Tipos de material” na página 65.
- ❑ Antes de carregar envelopes, pressione-os para garantir que todo o ar é removido e certifique-se de que as dobras das abas são pressionadas firmemente; caso contrário, os envelopes podem ficar amarrutados ou o material pode ser alimentado incorrectamente.
- ❑ Para envelopes com a aba ao longo da margem comprida (Envelope C6, Envelope Monarch e Envelope DL), carregue os envelopes com a aba para cima.



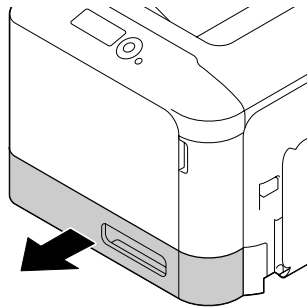
5. Faça deslizar as guias do material na direcção das margens do papel.



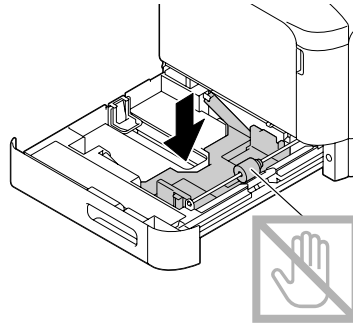
6. Selecione PAPER MENU (MENU PAPEL)/PAPER SOURCE (ORIGEM DO PAPEL)/TRAY 1 (BANDA 1)/PAPER SIZE (TAMANHO PAPEL) e PAPER TYPE (TIPO DE PAPEL) no menu de configuração e, em seguida, selecione a configuração do formato e tipo de papel carregado. Consulte também “PAPER MENU (MENU PAPEL)” na página 33.

Bandeja 2

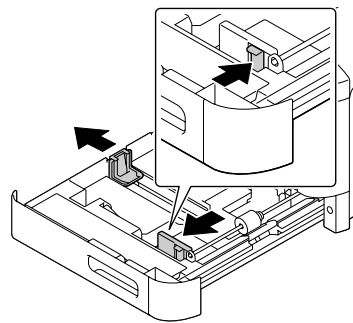
1. Retire a bandeja 2.



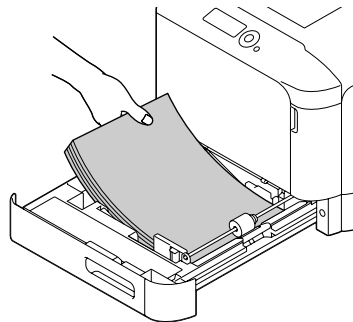
2. Pressione no sentido descendente a placa de pressão de material para a encaixar no lugar.



3. Faça deslizar as guias do material para libertar mais espaço entre si.

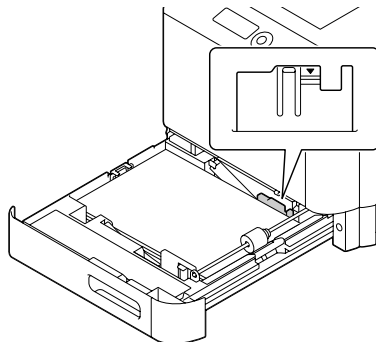


4. Carregue o papel com a face para cima na bandeja.



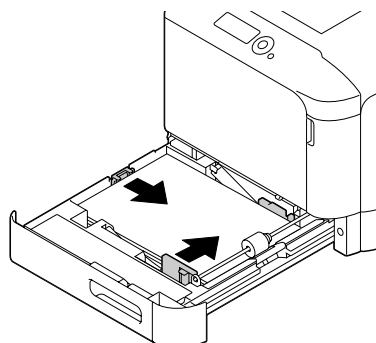
Nota:

- ❑ Não carregue acima da marca ▼. Podem ser carregadas até 250 folhas (80 g/m² [22 lb]) de papel liso na bandeja em simultâneo.

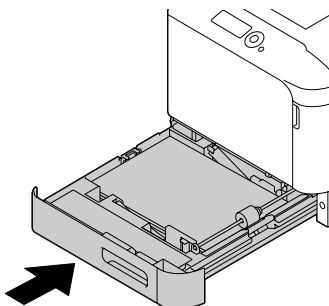


- ❑ Para saber qual a capacidade máxima de cada origem do papel, consulte “Tipos de material” na página 65.

5. Faça deslizar as guias do material na direcção das margens do papel.



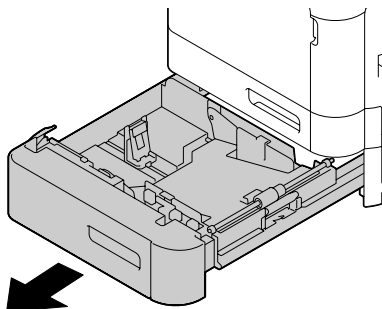
6. Feche a bandeja 2.



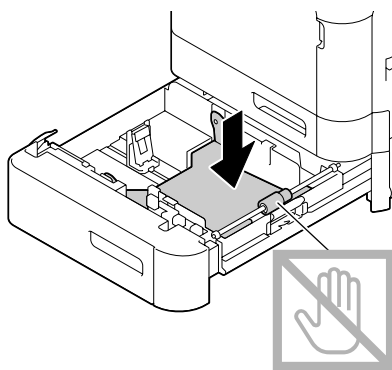
7. Seleccione PAPER MENU (MENU PAPEL)/PAPER SOURCE (ORIGEM DO PAPEL)/TRAY 2 (BAND 2)/PAPER SIZE (TAMANHO PAPEL) e PAPER TYPE (TIPO DE PAPEL) no menu de configuração e, em seguida, seleccione a configuração do formato e tipo de papel carregado. Consulte também “PAPER MENU (MENU PAPEL)” na página 33.

Alimentador para 500 folhas de papel (bandeja 3)

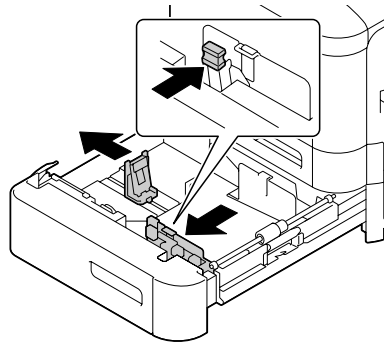
1. Retire a bandeja 3.



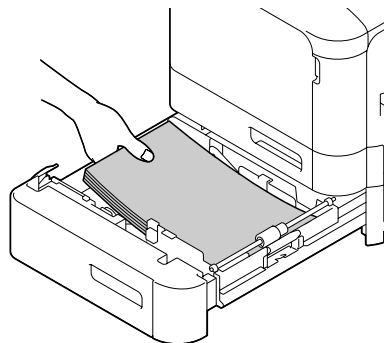
2. Pressione no sentido descendente a placa de pressão de material para a encaixar no lugar.



3. Faça deslizar as guias do material para libertar mais espaço entre si.

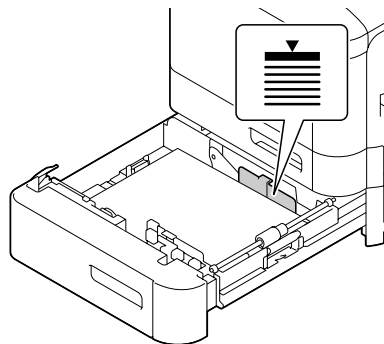


4. Carregue o papel com a face para cima na bandeja.

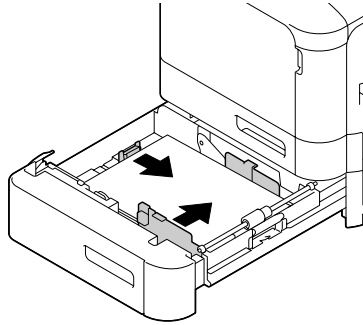


Nota:

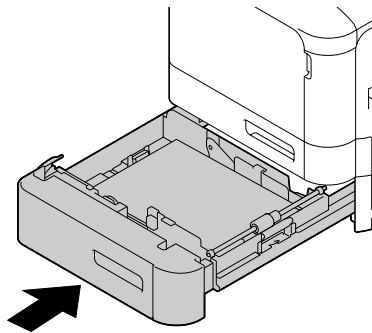
Não carregue acima da marca ▼. Podem ser carregadas até 500 folhas (80 g/m² [22 lb]) de papel liso na bandeja em simultâneo.



5. Faça deslizar as guias do material na direcção das margens do papel.



6. Feche a bandeja 3.



7. Selecione PAPER MENU (MENU PAPEL)/PAPER SOURCE (ORIGEM DO PAPEL)/TRAY 3 (BAND 3)/PAPER TYPE (TIPO DE PAPEL) no menu de configuração e, em seguida, selecione a configuração do tipo de papel carregado. Consulte também “PAPER MENU (MENU PAPEL)” na página 33.

Duplex (apenas para Epson AcuLaser C3900DN)

Selecione papel com uma opacidade elevada para impressão duplex (dois lados). A opacidade refere-se à capacidade que o papel possui para bloquear o que está escrito no verso da página. Se o papel tiver pouca opacidade (translucidez elevada), os dados impressos numa página da folha irão aparecer no outro. Consulte a aplicação para obter informações sobre as margens. Para obter os melhores resultados, imprima uma pequena quantidade para se certificar de que a opacidade é aceitável.

Nota:

Apenas é possível efectuar impressão duplex em papel liso, papel especial e em alta gramatura com 60–210 g/m². Consulte “Material de impressão” na página 63.

A impressão duplex não é suportada em envelopes, timbres, etiquetas, cartões postais, material brilhante ou papéis de impressão só num lado.

Consulte a sua aplicação para determinar como definir as margens para impressão duplex (dois lados).

Estão disponíveis as seguintes configurações de Binding Position (Posição de encadernação).

<p>Diagrama que mostra uma folha de papel com o lado superior dobrado para cima. O número '1' está no canto superior esquerdo, '2' no canto superior direito e '3' no canto inferior direito.</p>	<p>Se seleccionar “Short Edge (Borda curta)”, as páginas serão apresentadas para inverter na parte superior.</p>
<p>Diagrama que mostra uma folha de papel com o lado esquerdo dobrado para dentro. O número '1' está no canto superior esquerdo, '2' no canto superior direito e '3' no canto inferior direito.</p>	<p>Se seleccionar “Long Edge (Borda longa)”, as páginas serão apresentadas para inverter na parte lateral.</p>

Além disso, se configurar “N-up (N-até)” como “Booklet (Caderno)”, é efectuada impressão automática em duplex.

Estão disponíveis as seguintes configurações de Order (Ordem) ao seleccionar “Booklet (Caderno)”.

<p>Diagrama que mostra uma folha de papel dobrada para a esquerda, formando um livro. O número '1' está no canto superior esquerdo, '2' no canto superior direito e '3' no canto inferior direito.</p>	<p>Se seleccionar “Left Binding (Encadernação esquerda)”, é possível dobrar as páginas como um livro de união à esquerda.</p>
<p>Diagrama que mostra uma folha de papel dobrada para a direita, formando um livro. O número '3' está no canto superior esquerdo, '1' no canto superior direito e '2' no canto inferior direito.</p>	<p>Se seleccionar “Right Binding (Encadernação direita)”, é possível dobrar as páginas como um livro de união à direita.</p>

1. Carregue papel liso na bandeja.

2. A partir do controlador de impressão, especifique impressão duplex (dois lados) (separador Layout no Windows).
3. Clique em **OK**.

Nota:

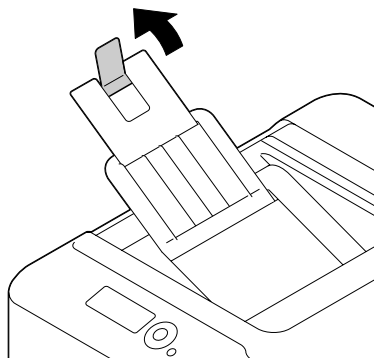
Com duplex automático, o verso da folha é impresso em primeiro lugar e, em seguida, é impressa a parte frontal.

Bandeja de saída

Todo o material impresso é enviado para a bandeja de saída voltada para baixo na parte superior da impressora. Esta bandeja tem a capacidade para aproximadamente 200 folhas (A4/Carta) de papel de 80 g/m².

Nota:

- Se o material estiver empilhado até atingir uma altura muito elevada na bandeja de saída, podem ocorrer problemas de alimentação do material, enrolamento excessivo do material ou acumulação estática na impressora.
- Se o papel enrolar e cair da bandeja de saída ao imprimir em papel espesso, estenda o fixador do papel na extremidade da extensão da bandeja antes de imprimir.



Armazenamento do material

- Mantenha o material numa superfície plana e nivelada no invólucro original até chegar a altura de o carregar.

O material que tenha sido armazenado durante demasiado tempo fora da embalagem pode ficar demasiado seco e provocar problemas de alimentação.

- ❑ Se o material tiver sido retirado do invólucro, coloque-o na sua embalagem original num local fresco e seguro numa superfície plana.
- ❑ Evite humidade excessiva, exposição directa à luz solar, calor excessivo (acima de 35°C [95°F]) e pó.
- ❑ Evite encostar o material a outros objectos ou colocá-lo numa posição vertical.

Antes de utilizar material armazenado, efectue um teste de impressão para verificar a qualidade de impressão.

Capítulo 6

Substituir consumíveis e peças de manutenção

Nota:

- ❑ A não execução das instruções descritas neste manual podem resultar na anulação da garantia.
- ❑ Se aparecer uma mensagem de erro (REPLACE TONER (TROCAR TONER), FUSER UNIT (UNIDADE FUSÃO) END OF LIFE (FIM VIDA ÚTIL), etc.), imprima a página de configuração e, em seguida, verifique o estado dos outros consumíveis. Para mais informações sobre as mensagens de erro, consulte “Mensagens de erro (Advertência)” na página 151. Para mais informações sobre a impressão da página de configuração, consulte “Imprimir uma página de configuração” na página 123.

Acerca dos cartuchos de toner

A impressora utiliza quatro cartuchos de toner: preto, amarelo, magenta e ciano. Manuseie cuidadosamente os cartuchos de toner de modo a evitar entornar toner no interior da impressora ou sobre si mesmo.

Nota:

- ❑ Ao substituir os cartuchos de toner, instale apenas cartuchos novos. Se for instalado um cartucho de toner usado, a quantidade de toner restante poderá não aparecer correctamente.
- ❑ Não abra desnecessariamente o cartucho de toner. Se derramar toner, evite inalá-lo ou que entre em contacto com a pele.
- ❑ Em caso de contacto do toner com as mãos ou a roupa, lave-as imediatamente com água e sabão.
- ❑ Se inalar toner, desloque-se para uma área com ar fresco e gargareje cuidadosamente com uma grande quantidade de água. Se surgirem reacções como tosse, obtenha cuidados médicos.
- ❑ Se o toner entrar em contacto com os olhos, lave-os imediatamente com água durante pelo menos 15 minutos. Se a irritação persistir, obtenha cuidados médicos.
- ❑ Se o toner entrar em contacto com a boca, lave-a cuidadosamente e, em seguida, beba 1 ou 2 copos de água. Se necessário, obtenha cuidados médicos.
- ❑ Armazene os cartuchos de toner fora do alcance das crianças.

Nota:

A utilização de cartuchos de toner não genuínos pode provocar um desempenho instável. Além disso, quaisquer danos provocados pela utilização de cartuchos de toner não genuínos não são cobertos pela garantia, mesmo se ocorrerem durante o período de garantia. (Embora não seja certo que a utilização de cartuchos de toner não genuínos provoquem danos, recomenda-se vivamente que utilize cartuchos de toner genuínos.)

Tipo	Referência das peças
Cartucho de toner (Yellow (Amarelo))	0590
Cartucho de toner (Magenta)	0591
Cartucho de toner (Cyan (Ciano))	0592
Cartucho de toner (Black (Preto))	0593
Cartucho de toner duplo (Black (Preto))	0594

Nota:

Para um desempenho e qualidade de impressão ideais, utilize apenas o respectivo TIPO de cartuchos de toner Epson genuínos.

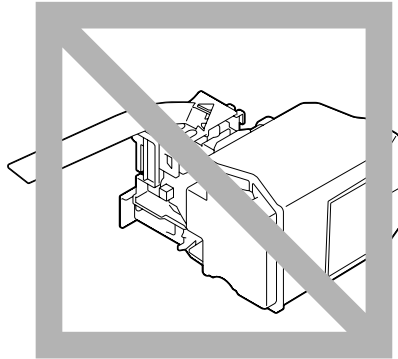
Mantenha os cartuchos de toner:

- Na sua embalagem até estar pronto para os instalar.
- Num local fresco e seco afastado da luz solar (devido ao calor).

A temperatura máxima de armazenamento é de 35° C (95° F) e a humidade máxima de armazenamento é de 85% (não-condensação). Se mover o cartucho de um local fresco para um local quente ou húmido, pode ocorrer condensação que irá diminuir a qualidade de impressão. Permita que o toner se adapte ao ambiente durante cerca de uma hora antes de o utilizar.

- Equilíbrio durante o manuseamento e armazenamento.

Não volte o cartucho de toner ao contrário; o toner no interior dos cartuchos pode ficar acumulado ou distribuído de forma inadequada.



- ❑ Afastado de ar salgado e gases corrosivos tais como aerossóis.

Substituir um cartucho de toner

Nota:

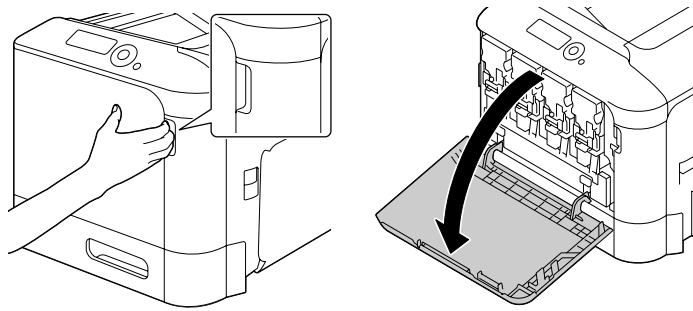
Tenha cuidado para não derramar toner ao substituir um cartucho de toner. Se for derramado toner, limpe-o de imediato com um pano seco e suave.

Se TONER LOW (TONER BAIXO) em SYS DEFAULT MENU (MENU PADR SISTEMA)/ENABLE WARNING (ATIV ADVERT) estiver configurado para ON (LIG), a mensagem TONER LOW X (TONER BAIXO X) (em que “X” indica a cor do toner) aparece quando o cartucho de toner está quase vazio. Siga os passos abaixo para substituir o cartucho de toner.

Nota:

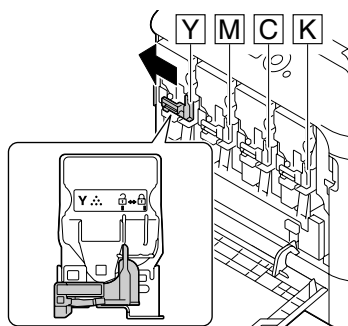
Se TONER LOW (TONER BAIXO) em SYS DEFAULT MENU (MENU PADR SISTEMA)/ENABLE WARNING (ATIV ADVERT) estiver configurado para OFF (DESAT.), é aconselhável substituir o cartucho de toner quando a mensagem REPLACE TONER X (TROCAR TONER X) aparecer.

1. Abra a tampa frontal da impressora.

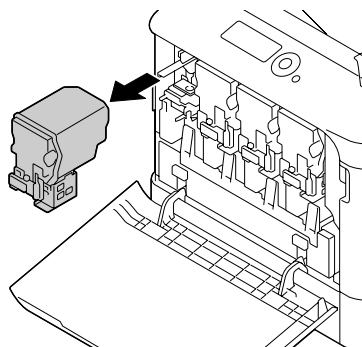


2. Puxe a alavanca frontal do cartucho de toner a cores indicada à esquerda.

O procedimento de substituição do cartucho de toner é igual para todas as cores (amarelo: Y, magenta: M, ciano: C e preto: K). As seguintes instruções apresentam o procedimento para substituir o cartucho de toner (Y).



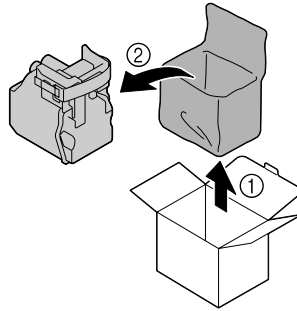
3. Agarre a pega do cartucho de toner a substituir e, em seguida, retire a unidade. As seguintes instruções apresentam o procedimento para substituir o cartucho de toner (Y).



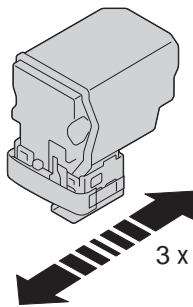
Nota:

Elimine o cartucho de toner usado de acordo com as normas locais. Não queime o cartucho de toner. Para mais informações, consulte “Acerca dos cartuchos de toner” na página 87.

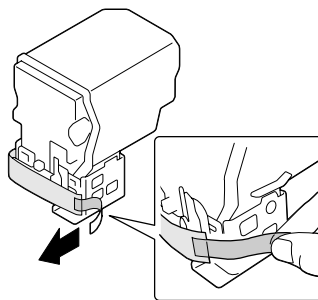
4. Verifique a cor do novo cartucho de toner a instalar.
5. Retire o cartucho de toner da embalagem.



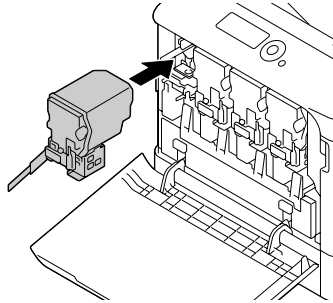
6. Agite a unidade para distribuir o toner.



7. Descole a película de proteção a partir do lado direito do cartucho de toner.



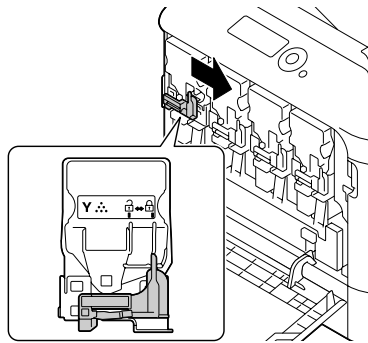
8. Certifique-se de que o cartucho de toner possui a mesma cor do compartimento da impressora e, em seguida, introduza o cartucho de toner na impressora.



Nota:

Introduza completamente o cartucho de toner.

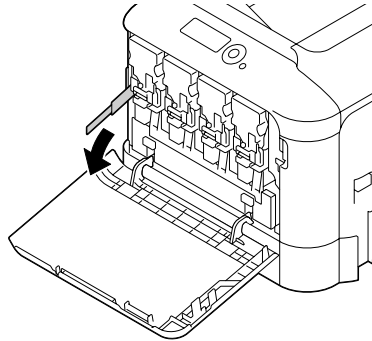
9. Puxe a alavanca para a direita para fixá-la no devido local.



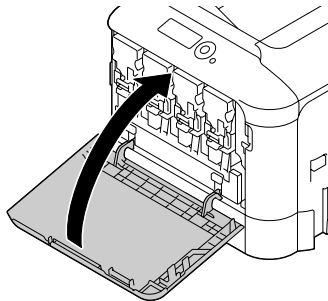
Nota:

- A alavanca frontal deve ser colocada novamente na sua posição original; caso contrário, não é possível fechar a tampa frontal da impressora.
- Se for difícil accionar a alavanca, empurre-a.

10. Certifique-se de que o cartucho de toner está correctamente instalado e, em seguida, descole a película de protecção.

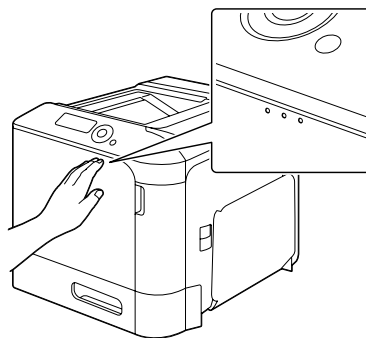


11. Feche a tampa frontal.



Nota:

Ao fechar a tampa frontal, pressione a área da tampa através de pequenas projecções.

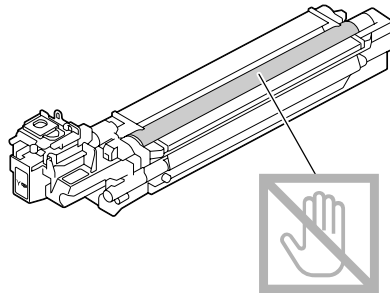


Substituir uma unidade fotocondutora

Tipo	Referência das peças
Unidade fotocondutora (Yellow (Amarelo))	1201
Unidade fotocondutora (Magenta)	1202
Unidade fotocondutora (Cyan (Ciano))	1203
Unidade fotocondutora (Black (Preto))	1204

Nota:

Não toque na superfície do tambor OPC. Isso poderá diminuir a qualidade da imagem.

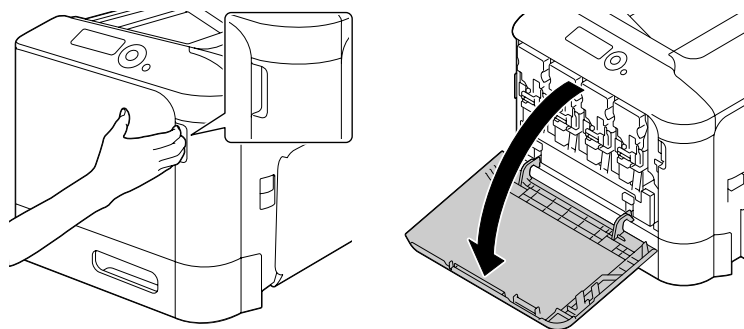


Se P/U LOW (U/F BAIXA) em SYS DEFAULT MENU (MENU PADR SISTEMA)/ENABLE WARNING (ATIV ADVERT) estiver configurado para ON (LIG), a mensagem P/U LOW X (U/F BAIXA X) (em que “X” indica a cor do toner) aparece quando a unidade fotocondutora está quase vazia. Siga os passos abaixo para substituir a unidade fotocondutora.

Nota:

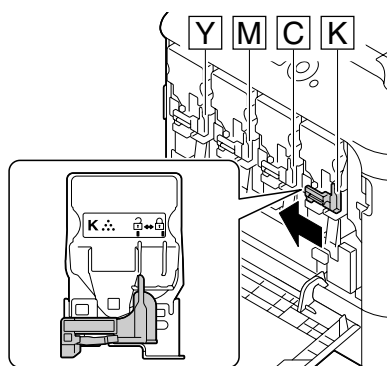
É aconselhável substituir a unidade fotocondutora indicada quando a mensagem P/U LIFE X (VIDA ÚTIL U/F X) aparecer.

1. Verifique a janela de mensagens para ver qual a unidade fotocondutora de cor que necessita de ser substituída.
2. Abra a tampa frontal da impressora.

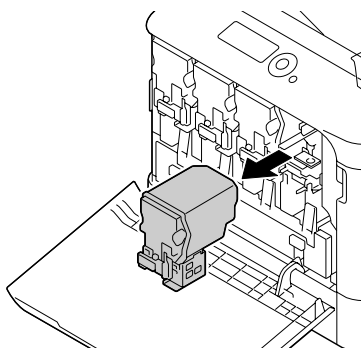


3. Puxe a alavanca frontal do cartucho de toner a cores indicada à esquerda.

O procedimento de substituição da unidade fotocondutora é igual para todas as cores (amarelo: Y, magenta: M, ciano: C e preto: K). As seguintes instruções apresentam o procedimento para substituir o cartucho de toner (K).



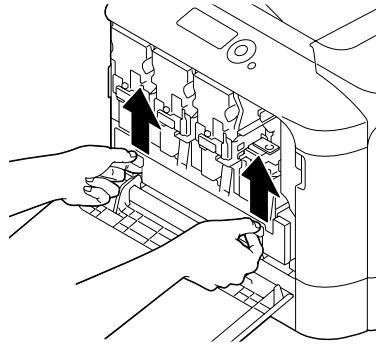
4. Agarre a pega do cartucho de toner a retirar e, em seguida, retire a unidade.



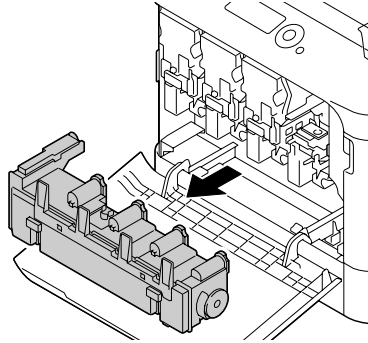
Nota:

Não incline o cartucho de toner retirado, pois pode derramar toner.

5. Puxe o frasco de toner residual para desbloqueá-lo.



6. Agarre as pegas esquerda e direita do frasco de toner residual e, em seguida, puxe o frasco.

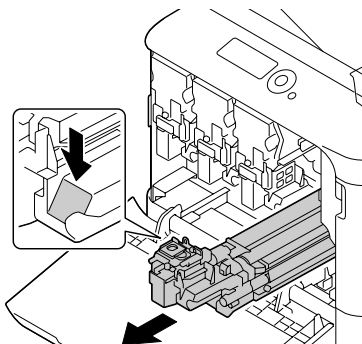


Nota:

Não incline a caixa de toner residual, pois pode derramar toner residual.

7. Enquanto pressiona a área assinalada com “Push” (Empurrar) na unidade fotocondutora a substituir, faça deslizar por completo a unidade para fora da impressora.

As seguintes instruções apresentam o procedimento para substituir a unidade fotocondutora (Preto).



Nota:

*Elimine a unidade fotocondutora vazia de acordo com as normas locais.
Não queime a unidade fotocondutora.*

8. Verifique a cor da nova unidade fotocondutora a instalar.

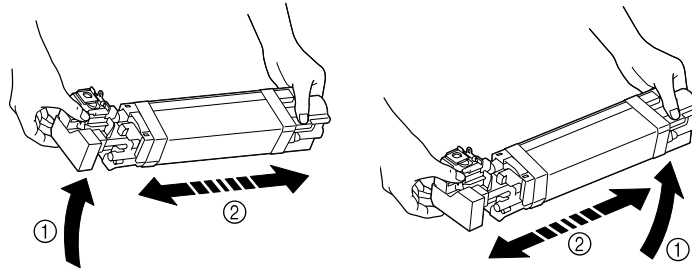
Nota:

De modo a evitar que o toner seja derramado, deixe a unidade fotocondutora na embalagem até o passo 7 ser efectuado.

9. Retire a unidade fotocondutora da embalagem.



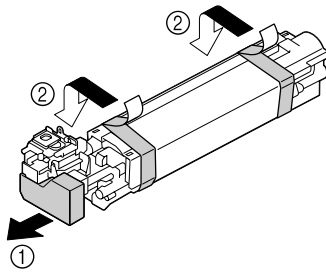
10. Segure na unidade fotocondutora com as duas mãos e, em seguida, agite-a duas vezes conforme apresentado na ilustração.



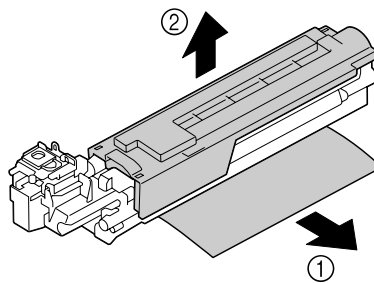
Nota:

Não agarre a parte inferior da embalagem; caso contrário, a unidade fotocondutora pode ficar danificada, provocando uma menor qualidade de impressão.

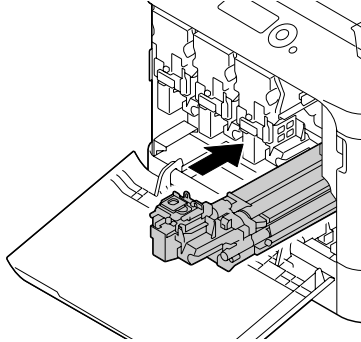
11. Retire a tampa de protecção da unidade fotocondutora.
Retire toda a fita de embalagem da unidade fotocondutora.



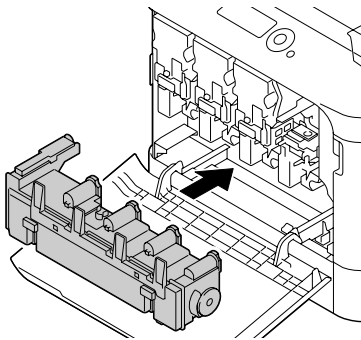
12. Retire o papel da unidade fotocondutora.
Retire a tampa de protecção da unidade fotocondutora.



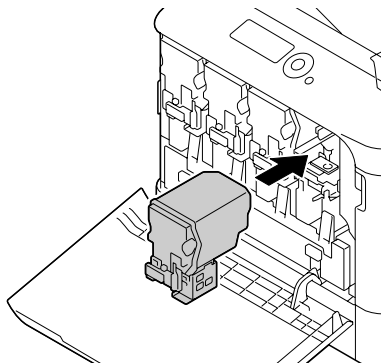
13. Certifique-se de que a nova unidade fotocondutora a instalar possui a mesma cor do compartimento da impressora e, em seguida, introduza a unidade fotocondutora na impressora de modo a encaixar.



14. Pressione o frasco de toner residual até encaixar no lugar.



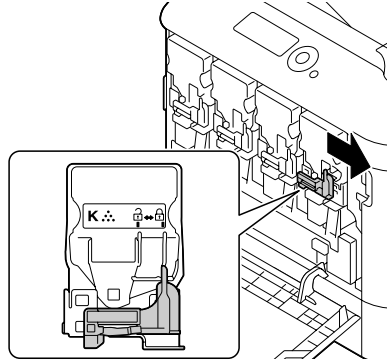
15. Certifique-se de que o cartucho de toner possui a mesma cor do compartimento da impressora e, em seguida, introduza o cartucho de toner na impressora.



Nota:

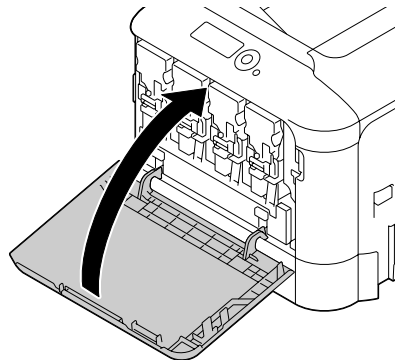
Introduza completamente o cartucho de toner.

16. Puxe a alavanca para a direita para fixá-la no devido local.

**Nota:**

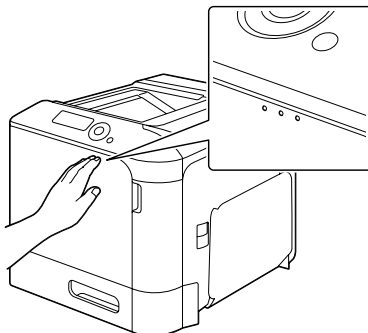
- A alavanca frontal deve ser colocada novamente na sua posição original; caso contrário, não é possível fechar a tampa frontal da impressora.*
- Se for difícil accionar a alavanca, empurre-a.*

17. Feche a tampa frontal.



Nota:

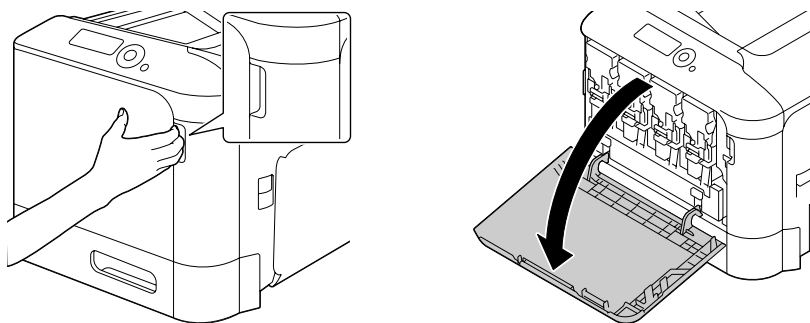
Ao fechar a tampa frontal, pressione a área da tampa através de pequenas projecções.



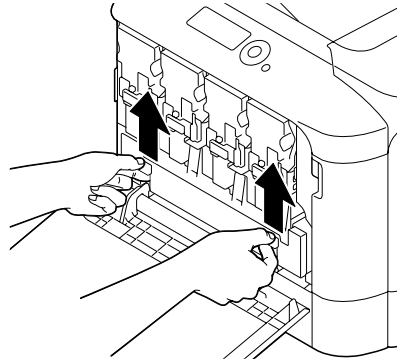
Substituir o frasco de toner residual (0595)

Quando o frasco de toner residual estiver cheio, a mensagem WASTE TONER FULL (TON. USADO CHEIO)/REPLACE BOTTLE (SUBST. RECIP.) aparece na janela de mensagens. A impressora pára e não irá iniciar de novo até o frasco de toner residual ser substituído.

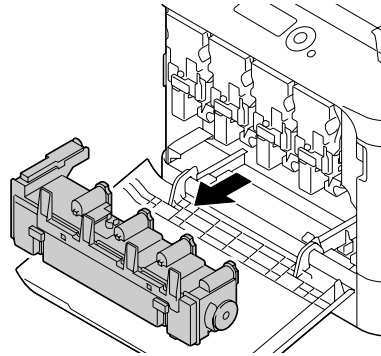
1. Abra a tampa frontal da impressora.



2. Puxe o frasco de toner residual para desbloqueá-lo.



3. Agarre as pegas esquerda e direita do frasco de toner residual e, em seguida, puxe o frasco.



Nota:

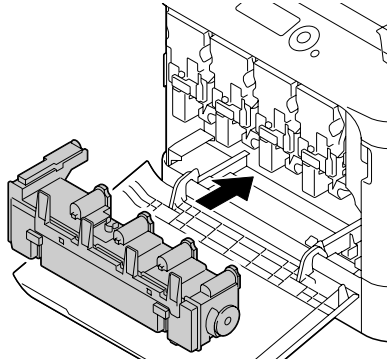
Não incline a caixa de toner residual, pois pode derramar toner residual.

4. Retire o novo frasco de toner residual da sua embalagem. Introduza o frasco de toner residual usado na embalagem de plástico incluída na caixa e, em seguida, embale-o.

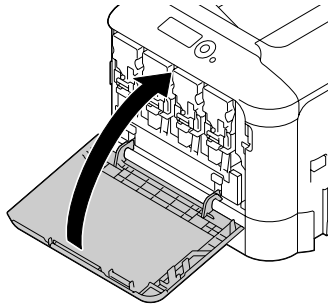
Nota:

Elimine o frasco de toner residual usado de acordo com as normas locais. Não queime o frasco de toner residual.

5. Pressione o frasco de toner residual até encaixar no lugar.

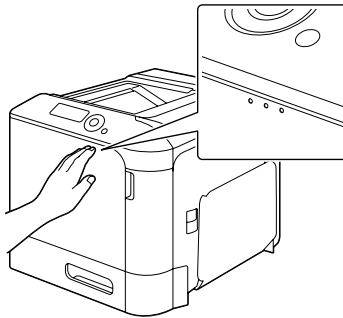


6. Feche a tampa frontal.



Nota:

- ❑ *Ao fechar a tampa frontal, pressione a área da tampa através de pequenas projecções.*



- ❑ *Se o frasco de toner residual não for completamente introduzido, não é possível fechar a tampa frontal.*

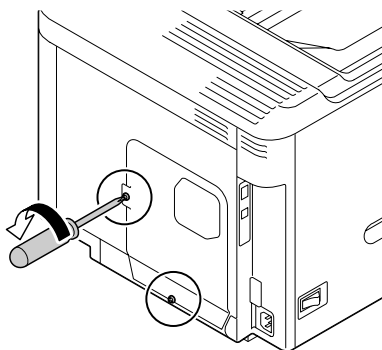
Substituir a pilha de reserva

Quando a pilha de reserva estiver no fim de vida útil, não é possível manter a data e hora da impressora. Siga o procedimento descrito abaixo para substituir a pilha de reserva.

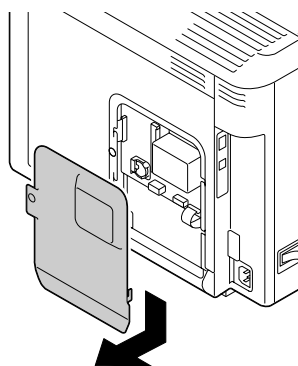
Nota:

Utilize apenas uma pilha de lítio CR2032 circular de 3V. É muito importante proteger a placa controladora da impressora e quaisquer placas de circuitos associadas contra danos electrostáticos. Antes de efectuar este procedimento, reveja os cuidados anti-estáticos em “Protecção anti-estática” na página 157. Além disso, manuseie sempre as placas de circuitos apenas pelas extremidades.

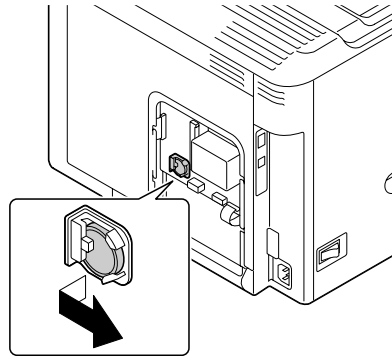
1. Desligue a impressora e retire o cabo de alimentação e os cabos de interface.
2. Retire os dois parafusos com uma chave de fendas.



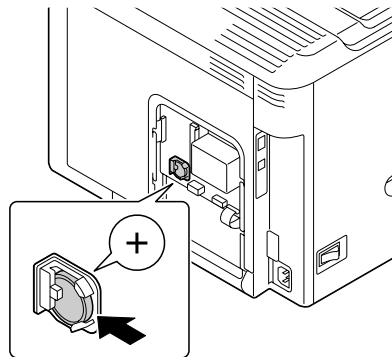
3. Faça deslizar o painel ligeiramente para baixo e eleve-o da impressora.



4. Retire a pilha de reserva.



5. Introduza uma pilha de reserva nova.



Nota:

- Ao introduzir a pilha de reserva nova, certifique-se de que o lado + está virado para a frente.
 - Existe o risco de explosão se a pilha for substituída por uma do tipo incorrecto. Elimine as pilhas usadas de acordo com as normas locais.
Não queime a pilha de reserva.
6. Volte a instalar o painel e aperte os dois parafusos.
7. Volte a ligar todos os cabos de interface.
8. Volte a ligar o cabo de alimentação e ligue a impressora.
9. Utilize `DATE` no menu `SYS DEFAULT MENU (MENU PADR SISTEMA)/CLOCK (RELÓGIO)` para configurar a data e utilize `TIME (HORA)` no menu `SYS DEFAULT MENU (MENU PADR SISTEMA)/CLOCK (RELÓGIO)` para configurar a hora.

Substituir a unidade de fusão (3041/3042)

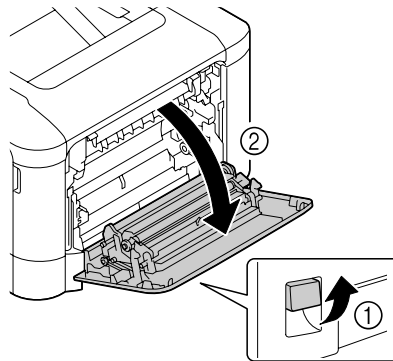
Quando for necessário substituir a unidade de fusão, a mensagem FUSER UNIT (UNIDADE FUSÃO)/ END OF LIFE (FIM VIDA ÚTIL) aparece. É possível continuar a imprimir, mesmo após essa mensagem aparecer; contudo, como a qualidade de impressão diminui, a unidade de fusão deve ser substituída imediatamente.

1. Desligue a impressora.

Nota:

Existem peças extremamente quentes dentro da máquina. Antes de substituir a unidade de fusão, aguarde cerca de 40 minutos após desligar a máquina e, em seguida, verifique se a secção de fusão atingiu a temperatura ambiente, pois caso contrário poderá queimar-se.

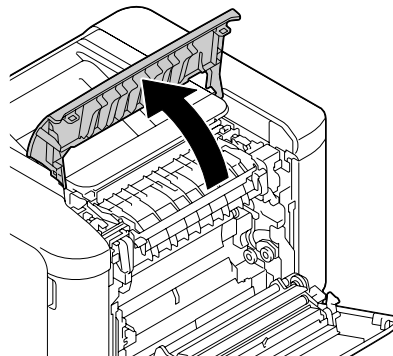
2. Puxe a alavanca e, em seguida, abra a tampa lateral direita.



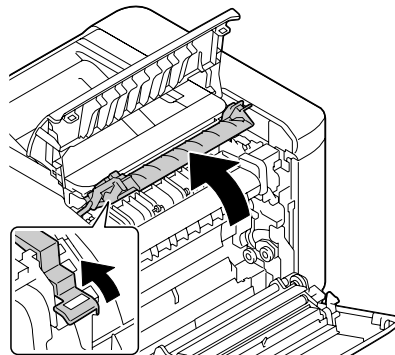
Nota:

Antes de abrir a tampa lateral direita, dobre a bandeja 1.

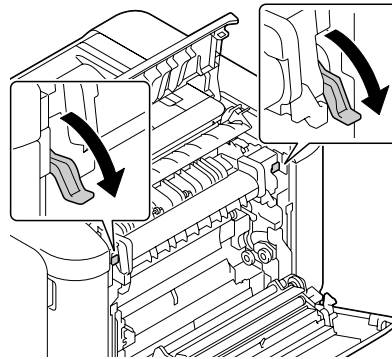
3. Abra a tampa de ejeção.



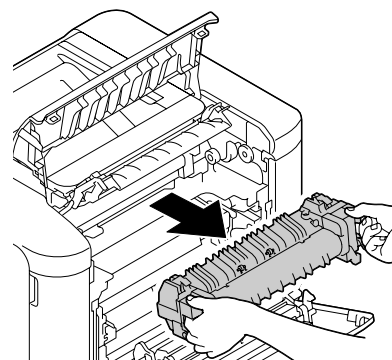
4. Abra a tampa da unidade de fusão.



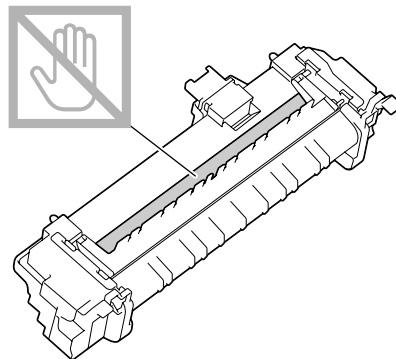
5. Puxe as 2 alavancas.



6. Retire a unidade de fusão.



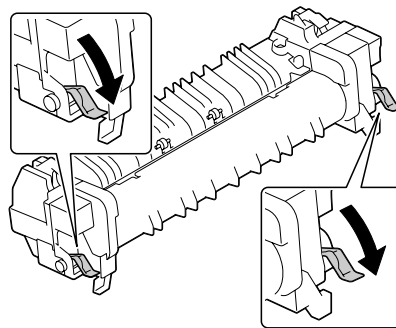
7. Prepare a nova unidade de fusão.



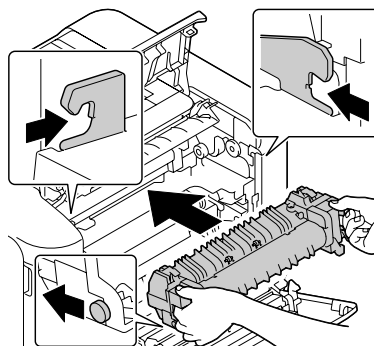
Nota:

Tenha cuidado para não tocar na superfície do rolo do fusor.

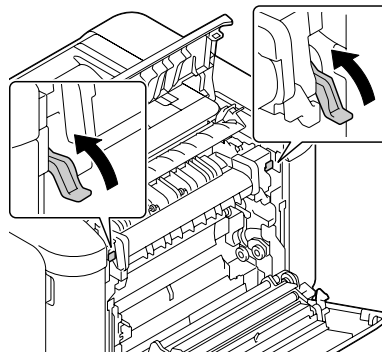
8. Puxe as 2 alavancas da nova unidade de fusão.



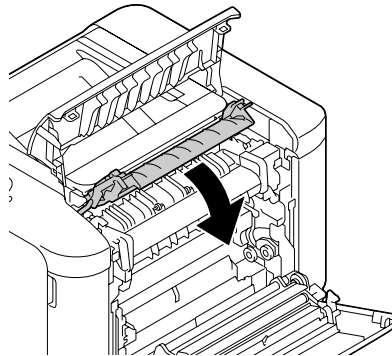
9. Introduza a unidade de fusão até encaixar no lugar.



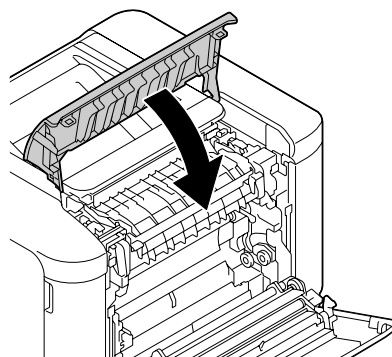
10. Levante as duas alavancas.



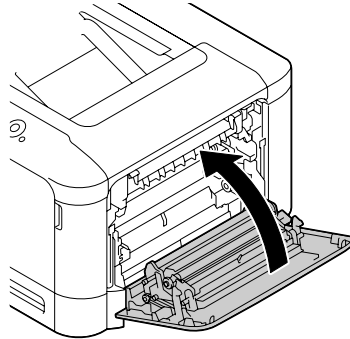
11. Feche a tampa da unidade de fusão.



12. Feche a tampa de ejeção.



13. Feche a tampa lateral direita.



14. Reinicie o contador no menu MAINTENANCE MENU (MENU MANUTENÇÃO)/SUPPLIES (ACESSÓRIOS)/REPLACE (SUBSTITUIR)/FUSER UNIT (UNIDADE FUSÃO).

Capítulo 7

Manter a impressora

Manter a impressora

**Importante:**

Leia atentamente todas as etiquetas de advertência e aviso, certificando-se de que segue as instruções nelas apresentadas. Estas etiquetas encontram-se localizadas no interior das tampas da impressora e no interior do corpo da impressora.

Manuseie a impressora com cuidado para prolongar a sua duração. Um manuseamento incorrecto pode provocar danos e anular a garantia. Se existir pó e fragmentos de papel no interior ou exterior da impressora, o desempenho da impressora e a qualidade de impressão irão diminuir, pelo que a impressora deve ser limpa periodicamente. Tenha em atenção as seguintes directrizes.

**Advertência:**

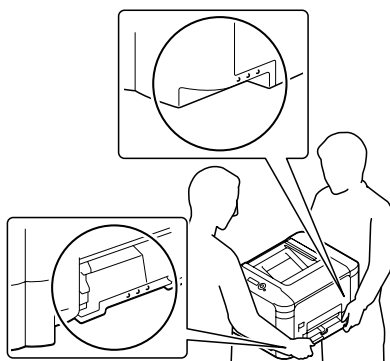
Desligue a impressora, o cabo de alimentação e todos os cabos de interface antes de limpar. Não derrame água nem detergente sobre a impressora; caso contrário, a impressora será danificada e podem ocorrer choques eléctricos.

**Importante:**

A unidade do fusor está quente. Quando a tampa do lado direito estiver aberta, a temperatura da unidade de fusão diminui gradualmente (tempo de espera de 40 minutos).

- Tenha cuidado ao limpar o interior da impressora ou ao remover problemas de alimentação do material, pois a unidade do fusor e outras peças internas podem estar muito quentes.
- Não coloque qualquer objecto sobre a impressora.
- Utilize um pano suave para limpar a impressora.
- Nunca pulverize soluções de limpeza directamente sobre a superfície da impressora; o spray pode penetrar através das ventilações do ar da impressora e danificar os circuitos internos.
- Evite utilizar soluções abrasivas ou corrosivas ou que contenham solventes (tais como álcool e benzina) para limpar a impressora.
- Teste sempre as soluções de limpeza (tais como detergente suave) numa área imperceptível de pequenas dimensões da impressora para verificar o efeito da solução.
- Nunca utilize utensílios afiados ou ásperos, tais como esfregões de limpeza de plástico ou argolas.

- Feche sempre com cuidado as tampas da impressora. Nunca sujeite a impressora a vibrações.
- Não tape a impressora imediatamente após a sua utilização. Desligue-a e aguarde até arrefecer.
- Não deixe as tampa da impressora abertas durante períodos prolongados de tempo, em especial em locais bem iluminados, pois a luz pode danificar as unidades fotocondutoras.
- Não abra a impressora durante a impressão.
- Não coloque pilhas de material sobre a impressora.
- Não lubrifique nem desmonte a impressora.
- Não incline a impressora.
- Não toque nos contactos eléctricos, engrenagens ou dispositivos laser. Tal poderá danificar a impressora e fazer com que a qualidade de impressão diminua.
- Mantenha o número mínimo de material na bandeja de saída. Se existir uma pilha demasiado grande de material, podem ocorrer problemas de alimentação do material e enrolamento excessivo do material na impressora.
- Certifique-se de que se encontram disponíveis duas pessoas para levantar a impressora ao movê-la.
Mantenha a impressora nivelada para evitar o derramamento de toner.



- Ao levantar a impressora, dobre a bandeja 1 e, em seguida, levante a impressora conforme apresentado na ilustração à direita.

Se o alimentador opcional para 500 folhas de papel estiver instalado, mova-o em separado da impressora. Não agarre a patilha da bandeja 3 ou a tampa lateral direita; caso contrário, o alimentador para 500 folhas de papel pode ser danificado.

- Se o toner entrar em contacto com a pele, lave-a com água fria e sabão suave.

**Importante:**

Se o toner entrar em contacto com os olhos, lave-os de imediato com água fria e consulte um médico.

- Certifique-se de que as peças removidas durante a limpeza são colocadas novamente antes de ligar a impressora.

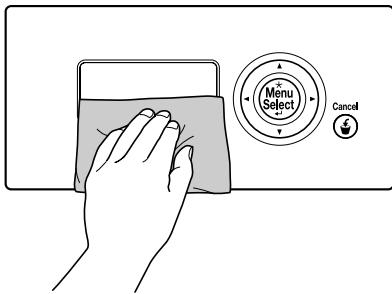
Limpar a impressora

**Importante:**

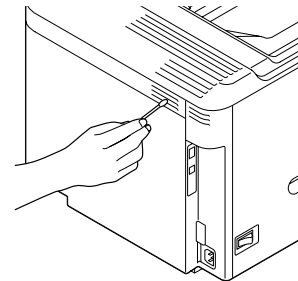
Certifique-se de que desliga a impressora e o cabo de alimentação antes de limpar.

Exterior

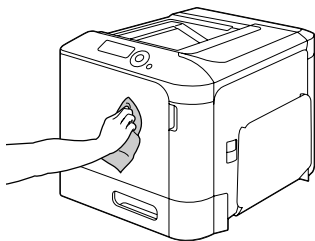
- Painel de controlo



- Grelha de ventilação



- Exterior da impressora

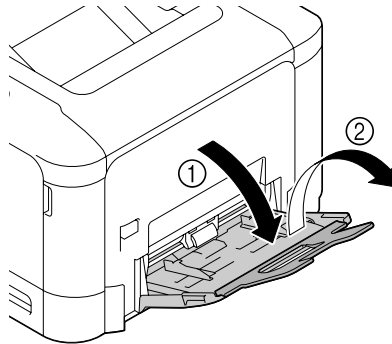


Rolos de material

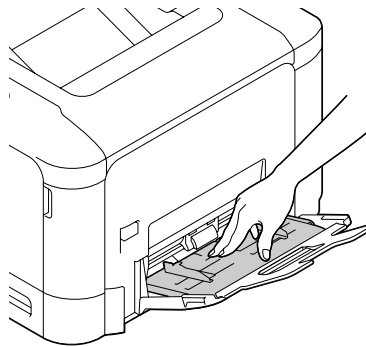
A acumulação de pó no papel e outros detritos nos rolos de material pode provocar problemas de alimentação do material.

Limpar os rolos de alimentação de material (bandeja de alimentação manual)

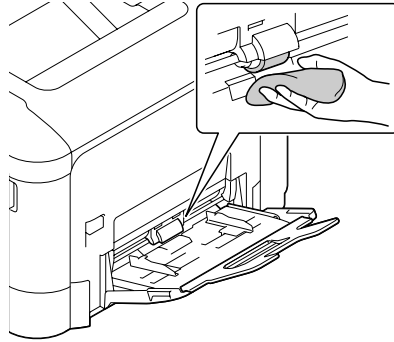
1. Abra a bandeja 1.



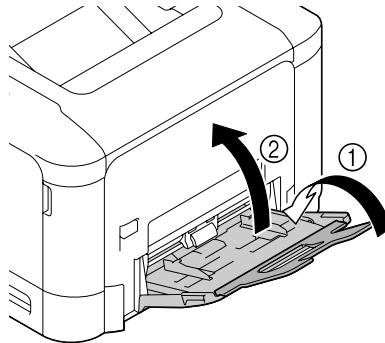
2. Pressione o centro da placa de elevação do papel até as patilhas de bloqueio esquerda e direita (brancas) encaixarem no lugar.



3. Limpe os rolos de alimentação de material utilizando um pano seco e suave.

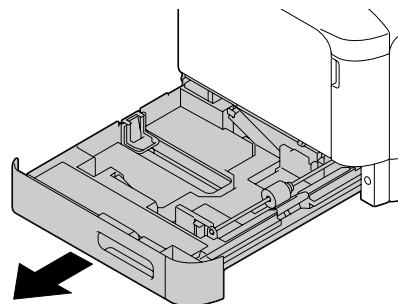


4. Feche a bandeja.

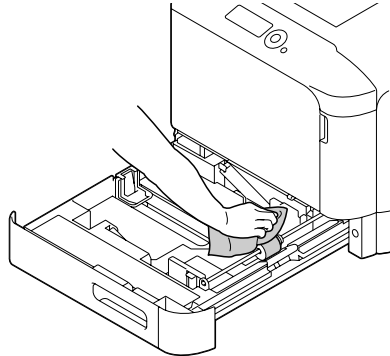


Limpar os rolos de alimentação de material (bandeja 2/3)

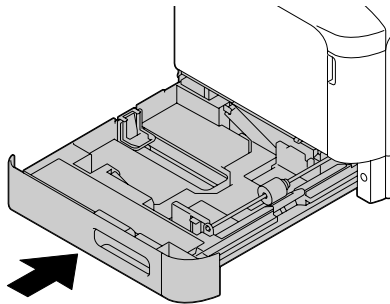
1. Retire a bandeja.



2. Limpe os rolos de alimentação de material utilizando um pano seco e suave.

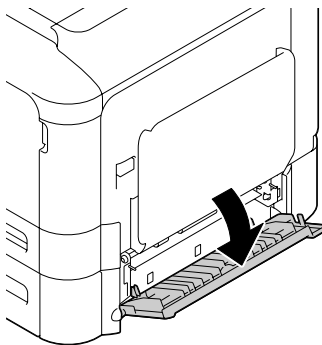


3. Feche a bandeja.



Limpar os rolos de transferência de material da bandeja 3

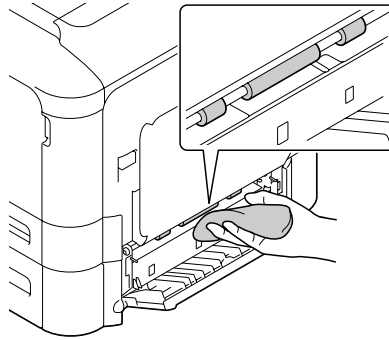
1. Abra a tampa lateral direita da bandeja 3.



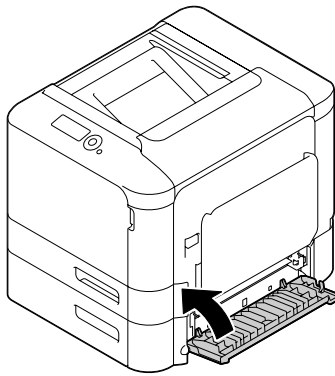
Nota:

Antes de abrir a tampa lateral direita da bandeja 3, dobre a bandeja 1.

2. Limpe os rolos de transferência de material utilizando um pano seco e suave.



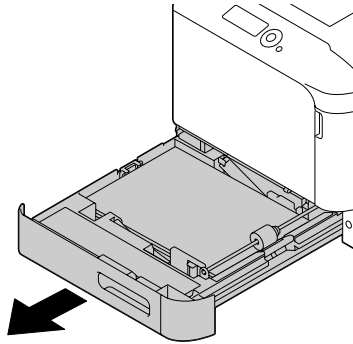
3. Feche a tampa lateral direita da bandeja 3.



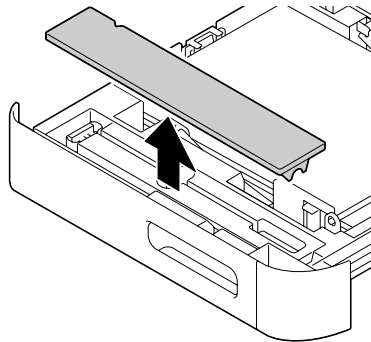
Limpar a lente laser

Esta impressora foi construída com quatro lentes laser. Limpe todas as lentes conforme descrito abaixo. A ferramenta de limpeza de lentes laser deve ser montada no interior da bandeja 2.

1. Retire a bandeja 2.



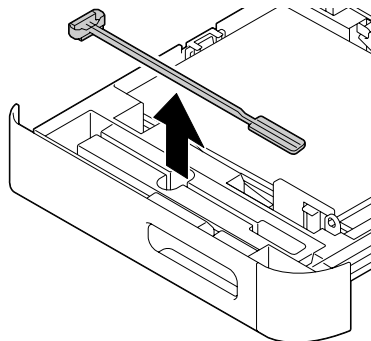
2. Retire a tampa.



Nota:

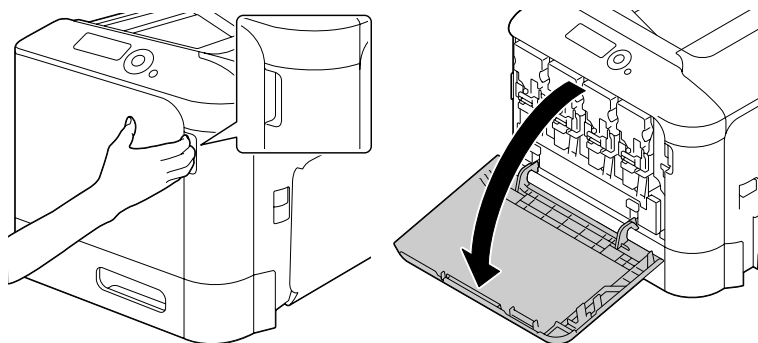
Como a tampa será utilizada posteriormente, não a coloque novamente na sua posição original.

3. Retire a ferramenta de limpeza da bandeja 2.

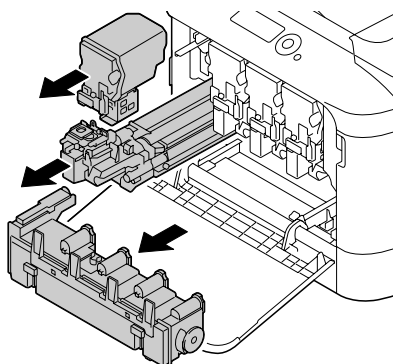


4. Feche a bandeja 2.

5. Abra a tampa frontal da impressora.



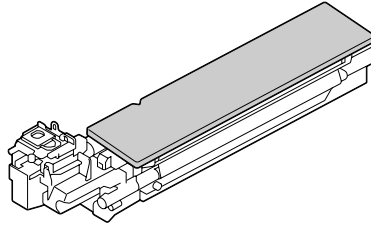
6. Retire o frasco de toner residual, o cartucho de toner e a unidade fotocondutora da cor da lente laser a limpar.



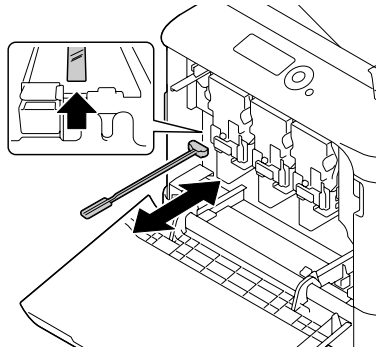
Nota:

- ❑ *Para obter mais informações sobre como retirar o cartucho de toner, a unidade fotocondutora ou o frasco de toner residual, consulte “Substituir um cartucho de toner” na página 89 ou “Substituir uma unidade fotocondutora” na página 94.*
- ❑ *Não incline o cartucho de toner retirado, pois pode derramar toner.*
- ❑ *Não incline a caixa de toner residual, pois pode derramar toner residual.*

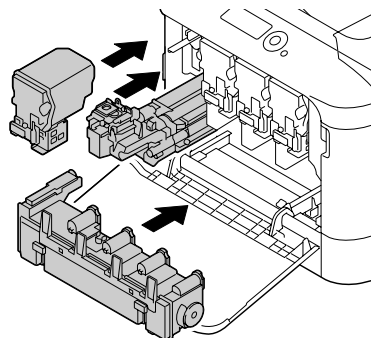
7. Coloque a tampa retirada no passo 2 na unidade fotocondutora.



8. Introduza ferramenta de limpeza de lentes laser na abertura da unidade fotocondutora, puxe-a e, em seguida, repita este movimento para trás e para a frente 2 a 3 vezes.



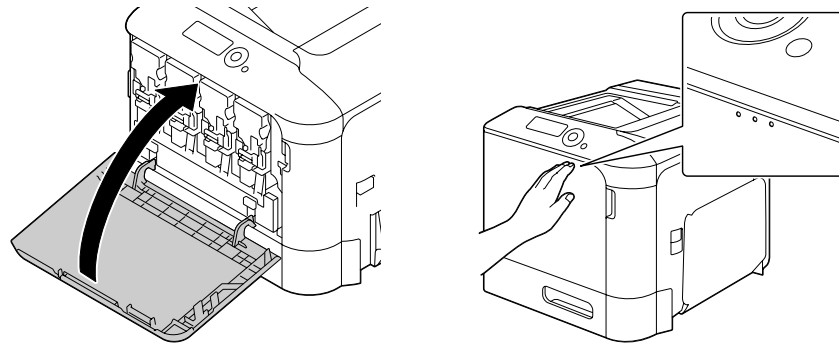
9. Instale o cartucho de toner, a unidade fotocondutora e o frasco de toner residual retirados.



Nota:

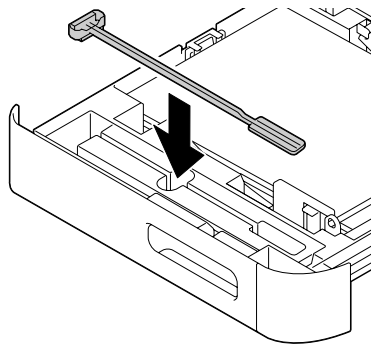
Para obter mais informações sobre como instalar o cartucho de toner, a unidade fotocondutora ou o frasco de toner residual, consulte “Substituir um cartucho de toner” na página 89 ou “Substituir uma unidade fotocondutora” na página 94.

10. Feche a tampa frontal.

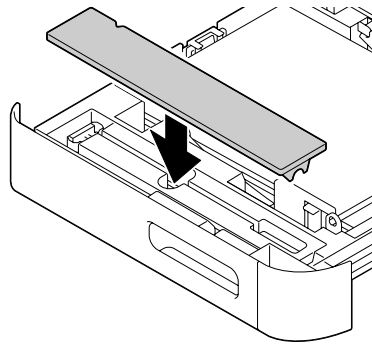
**Nota:**

Ao fechar a tampa frontal, pressione a área da tampa através de pequenas projecções.

11. Retire a bandeja 2.
12. Coloque novamente a ferramenta de limpeza de lentes laser no seu suporte no interior da bandeja 2.



13. Feche a tampa.



14. Feche a bandeja 2.

15. Limpe entre cada uma das lentes laser do mesmo modo.

Nota:

A ferramenta de limpeza de lentes laser encontra-se incluída com a impressora.

Guarde com segurança a ferramenta de limpeza de lentes laser de modo a não a perder.

Capítulo 8

Resolução de problemas

Imprimir uma página de configuração

1. Prima a tecla **Menu/Select**.
2. Seleccione PRINT MENU (MENU IMPRESSÃO) e, em seguida, prima a tecla **Menu/Select**.
3. Seleccione CONFIGURATION PG (PG. CONFIGURAÇÃO) e, em seguida, prima a tecla **Menu/Select**.
4. Seleccione PRINT (IMPRIMIR) e, em seguida, prima a tecla **Menu/Select**.

Evitar problemas de alimentação do material

Certifique-se de que...
O material corresponde às especificações da impressora.
O material é plano, em especial na margem frontal.
A impressora se encontra numa superfície sólida, plana e nivelada.
Armazena o material num local seco afastado de humidades.
Ajusta sempre as guias do material na bandeja <i>após</i> introduzir o material (<i>uma guia ajustada incorrectamente pode provocar uma má qualidade de impressão, problemas de alimentação do material e danos na impressora</i>).
Carrega o material com o lado de impressão virado para cima na bandeja (<i>muitos fabricantes colocam uma seta na extremidade do invólucro para indicar o lado de impressão</i>).
Evite...
Material que esteja dobrado, amarrotado ou excessivamente enrolado.
Alimentação dupla (<i>remova o material e folheie as folhas—podem estar unidas umas às outras</i>).
Carregar mais do que um tipo/tamanho/gramagem de material numa bandeja em simultâneo.
Encher as bandejas em demasia.

Evite...

Deixar que a bandeja de saída encha em demasia (*a bandeja de saída tem uma capacidade para 200 folhas—podem ocorrer problemas de alimentação se deixar que se acumulem mais de 200 folhas de material em simultâneo*).

Resolver problemas de alimentação do material

Para evitar danos, remova sempre o material incorrectamente alimentado com cuidado e sem o rasgar. Se for deixado qualquer pedaço de material na impressora, pequeno ou grande, este pode obstruir o percurso do material e provocar mais problemas de alimentação. Não volte a carregar material que tenha sido incorrectamente alimentado.

Nota:

A imagem não está fixa no material antes do processo de fusão. Se tocar na superfície impressa, o toner pode ficar colado às mãos, pelo que deve ter cuidado para não tocar na face impressa ao remover o material incorrectamente alimentado. Certifique-se de que não derrama qualquer toner no interior da impressora.

**Importante:**

- O toner não fundido pode sujar as mãos, roupas ou qualquer outra coisa com a qual possa entrar em contacto.
Se o toner entrar acidentalmente em contacto com a roupa, limpe-a o melhor que conseguir. Se permanecer algum toner nas roupas, utilize água fria e não quente de modo a removê-lo. Se o toner entrar em contacto com a pele, lave-a com água fria e sabão suave.
- Se o toner entrar em contacto com os olhos, lave-os de imediato com água fria e consulte um médico.

Se, após retirar o material alimentado incorrectamente, a mensagem de alimentação incorrecta na janela do painel de controlo persistir, abra e feche as tampas da impressora. Isso deve apagar a mensagem de alimentação incorrecta.

Mensagens de material alimentado incorrectamente e procedimentos de desobstrução

Mensagem de material alimentado incorrectamente	Página de referência
PAPER JAM (ATOLAMENTO PAPEL) TRAY2 (BAND2)	"Remover problemas de alimentação na bandeja 2" na página 125

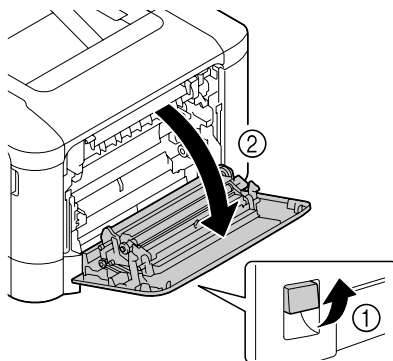
Mensagem de material alimentado incorrectamente	Página de referência
PAPER JAM (ATOLAMENTO PAPEL) TRAY3 (BAND3)	“Remover problemas de alimentação na bandeja 3” na página 128
PAPER JAM (ATOLAMENTO PAPEL) DUPLEX1	“Remover problemas de alimentação na opção duplex (apenas para Epson AcuLaser C3900DN)” na página 131
PAPER JAM (ATOLAMENTO PAPEL) DUPLEX2	“Remover problemas de alimentação na opção duplex (apenas para Epson AcuLaser C3900DN)” na página 131
PAPER JAM (ATOLAMENTO PAPEL) FUSER/EXIT (FUSOR/SAÍDA)	“Remover problemas de alimentação na unidade de fusão” na página 132
PAPER JAM (ATOLAMENTO PAPEL) TRAY1 (BAND1)	“Remover problemas de alimentação na bandeja 1 (bandeja de alimentação manual) e no rolo de transferência” na página 136
PAPER JAM (ATOLAMENTO PAPEL) SECOND TRANS (TRANS. SECOND.)	“Remover problemas de alimentação na bandeja 1 (bandeja de alimentação manual) e no rolo de transferência” na página 136
PAPER JAM (ATOLAMENTO PAPEL) VERTICAL TRANS (TRANSF. VERTI)	“Remover problemas de alimentação na bandeja 3” na página 128, “Remover problemas de alimentação na bandeja 1 (bandeja de alimentação manual) e no rolo de transferência” na página 136

Nota:

Se a mensagem PAPER JAM (ATOLAMENTO PAPEL)/VERTICAL TRANS (TRANSF. VERTI) aparecer, verifique a existência de problemas de alimentação na secção do rolo de transferência das tampas do lado direito da bandeja 3.

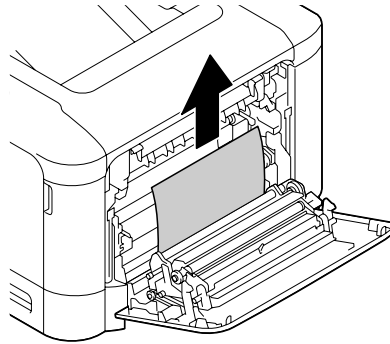
Remover problemas de alimentação na bandeja 2

1. Puxe a alavanca e, em seguida, abra a tampa lateral direita.

**Nota:**

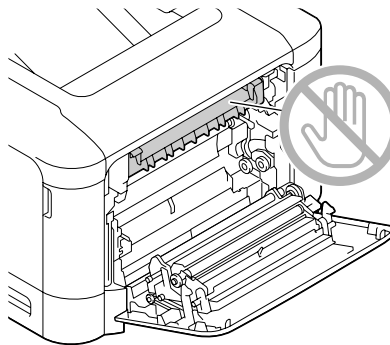
Antes de abrir a tampa lateral direita, dobre a bandeja 1.

2. Retire cuidadosamente o material alimentado incorrectamente.

**Importante:**

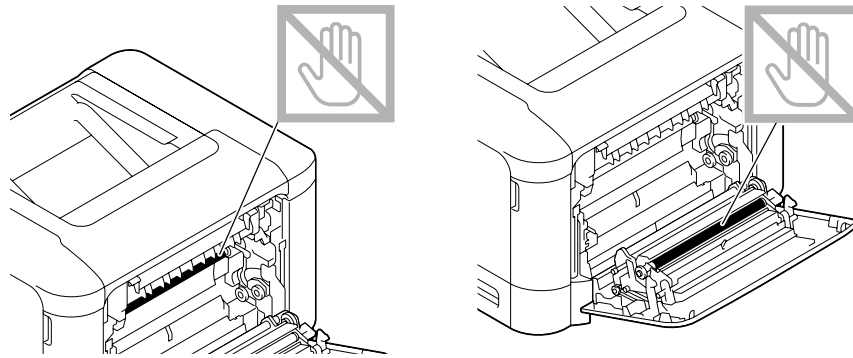
A área à volta da unidade do fusor está extremamente quente.

Tocar em qualquer parte que não nas alavancas indicadas pode provocar queimaduras. Caso se queime, arrefeça de imediato a pele com água fria e, em seguida, obtenha cuidados médicos.

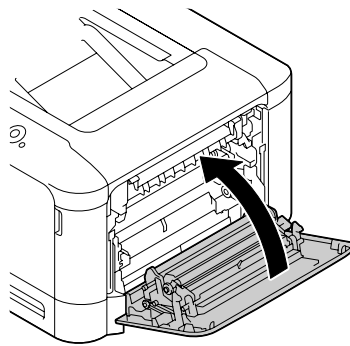
**Nota:**

Se tocar na superfície da correia de transferência de imagens ou do rolo de transferência, a qualidade de impressão pode diminuir.

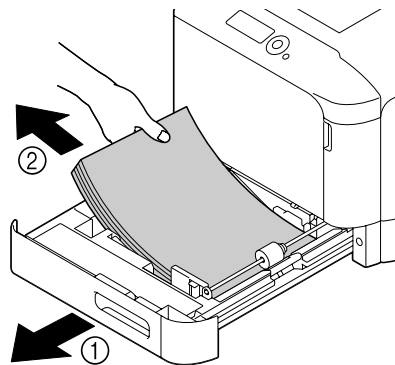
Tenha cuidado para não tocar na superfície da correia de transferência de imagens ou do rolo de transferência.



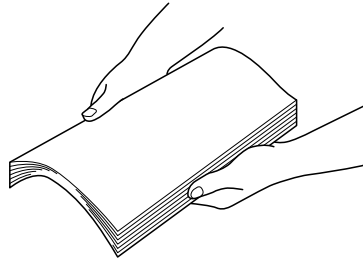
3. Feche a tampa lateral direita.



4. Retire a bandeja 2 e, em seguida, retire todo o material da bandeja.



5. Folheie o material que removeu e alinhe-o correctamente.



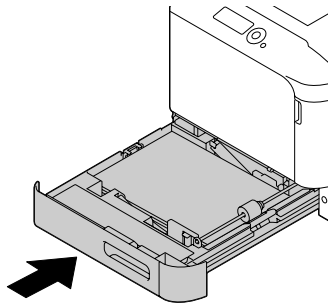
6. Carregue o material com a face para cima na bandeja 2.

Nota:

Certifique-se de que o material está plano.

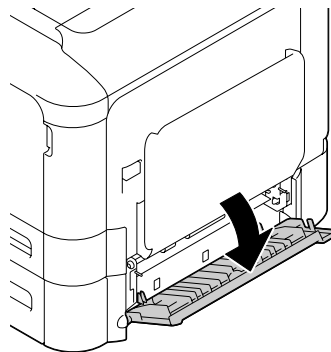
Não carregue papel acima da marca ▼.

7. Feche a bandeja 2.



Remover problemas de alimentação na bandeja 3

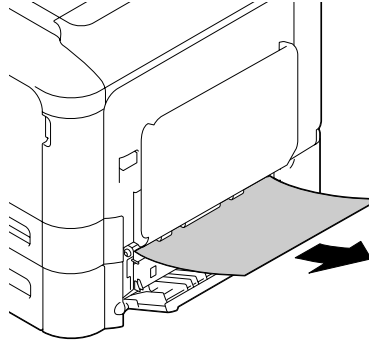
1. Abra a tampa lateral direita da bandeja 3.



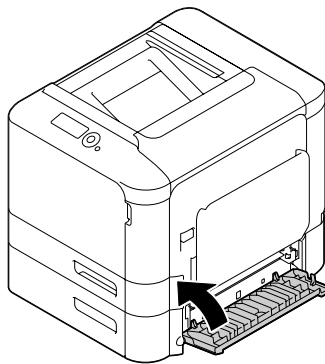
Nota:

Antes de abrir a tampa lateral direita da bandeja 3, dobre a bandeja 1.

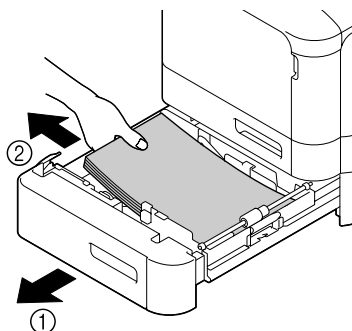
2. Retire cuidadosamente o material alimentado incorrectamente.



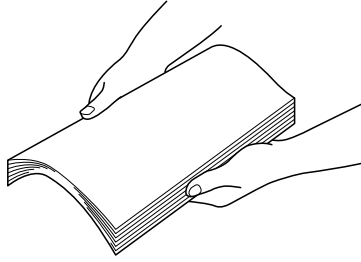
3. Feche a tampa lateral direita da bandeja 3.



4. Retire a bandeja 3 e, em seguida, retire todo o papel da bandeja.



5. Folheie o papel que removeu e alinhe-o correctamente.

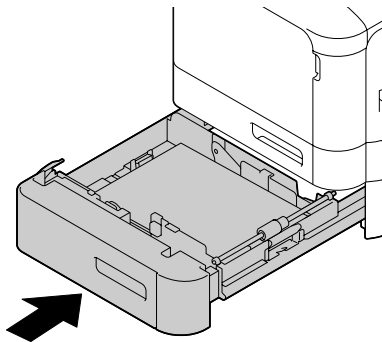


6. Carregue o papel com a face para cima na bandeja 3.

Nota:

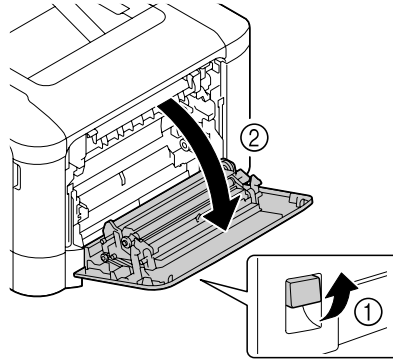
- Certifique-se de que o papel está plano.*
- Não carregue papel acima da marca ▼.*
- Faça deslizar as guias do material na direcção das margens do papel.*

7. Feche a bandeja 3.



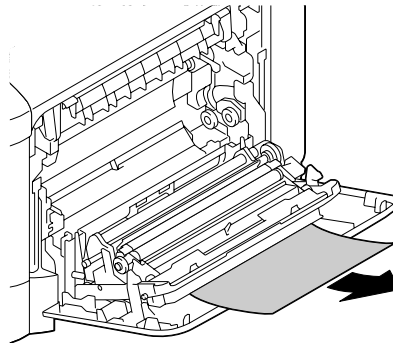
Remover problemas de alimentação na opção duplex (apenas para Epson AcuLaser C3900DN)

1. Puxe a alavanca e, em seguida, abra a tampa lateral direita.

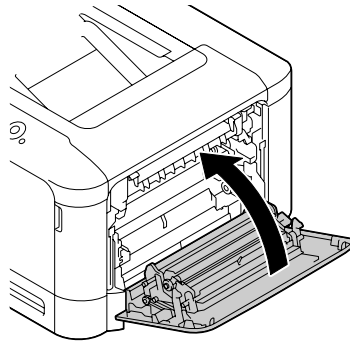
**Nota:**

Antes de abrir a tampa lateral direita, dobre a bandeja 1.

2. Retire cuidadosamente o material alimentado incorrectamente.

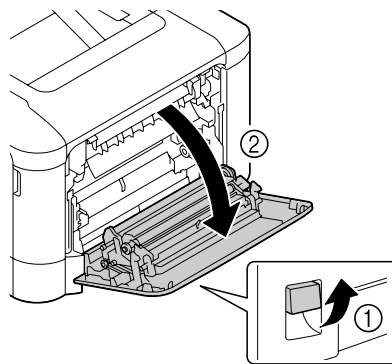


3. Feche a tampa lateral direita.



Remover problemas de alimentação na unidade de fusão

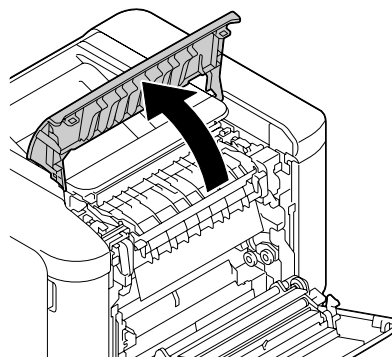
1. Puxe a alavanca e, em seguida, abra a tampa lateral direita.



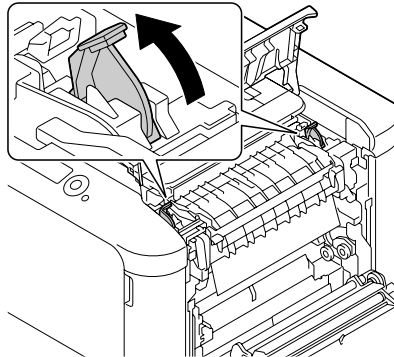
Nota:

Antes de abrir a tampa lateral direita, dobre a bandeja 1.

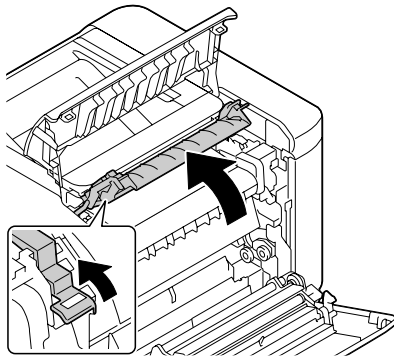
2. Abra a tampa de ejeção.



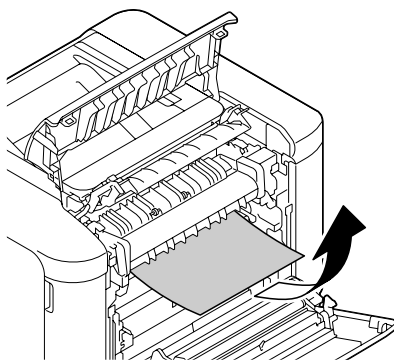
3. Levante as 2 alavancas.



4. Abra a tampa da unidade de fusão.

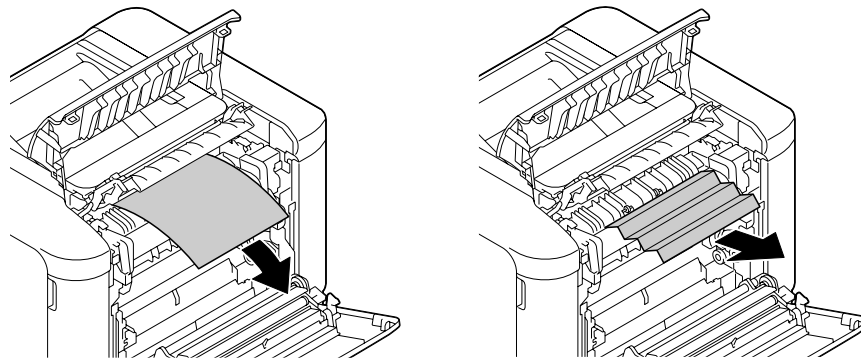


5. Retire cuidadosamente o material alimentado incorrectamente.

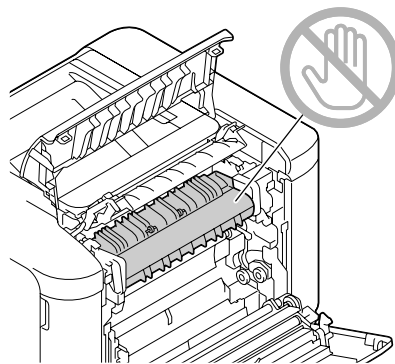


Nota:

Se não for possível resolver o problemas de alimentação incorrecta do meterial puxando-o, puxe-o da parte superior da unidade de fusão.

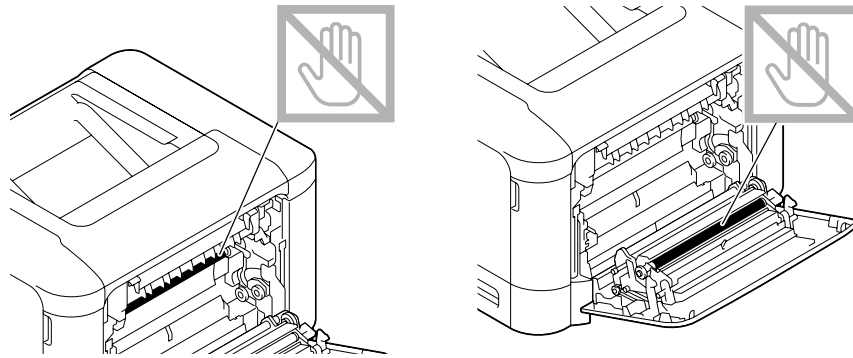
**Importante:**

A área à volta da unidade de fusão está extremamente quente. Tocar em qualquer parte que não nas alavancas indicadas pode provocar queimaduras. Caso se queime, arrefeça de imediato a pele com água fria e, em seguida, obtenha cuidados médicos.

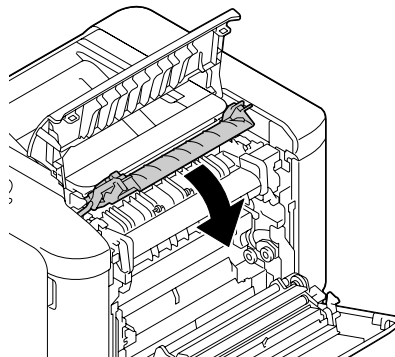
**Nota:**

Se tocar na superfície da correia de transferência de imagens ou do rolo de transferência, a qualidade de impressão pode diminuir.

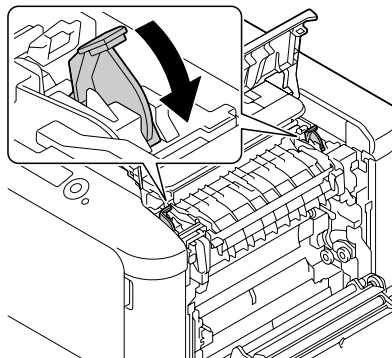
Tenha cuidado para não tocar na superfície da correia de transferência de imagens ou do rolo de transferência.



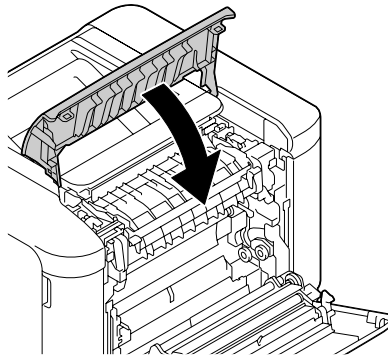
6. Feche a tampa da unidade de fusão.



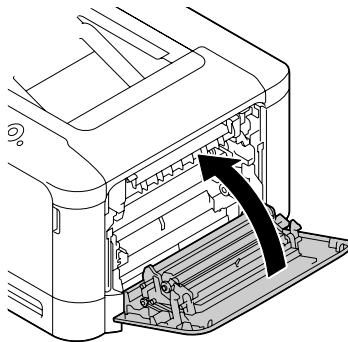
7. Pressione as 2 alavancas.



8. Feche a tampa de ejeção.

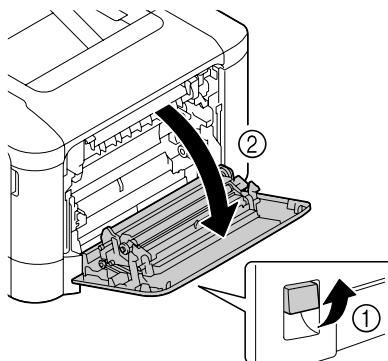


9. Feche a tampa lateral direita.



Remover problemas de alimentação na bandeja 1 (bandeja de alimentação manual) e no rolo de transferência

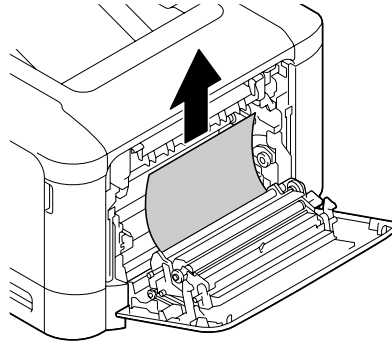
1. Puxe a alavanca e, em seguida, abra a tampa lateral direita.



Nota:

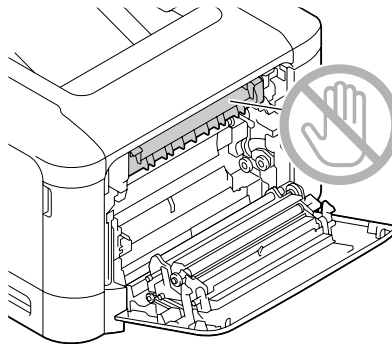
Antes de abrir a tampa lateral direita, dobre a bandeja 1.

2. Retire cuidadosamente o material alimentado incorrectamente.

**Importante:**

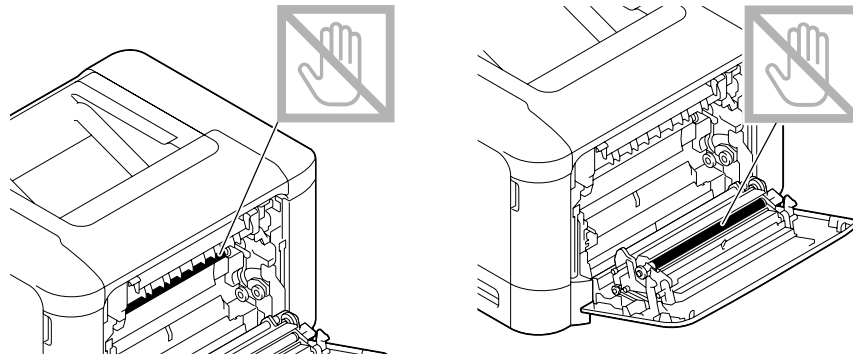
A área à volta da unidade de fusão está extremamente quente.

Tocar em qualquer parte que não nas alavancas indicadas pode provocar queimaduras. Caso se queime, arrefeça de imediato a pele com água fria e, em seguida, obtenha cuidados médicos.

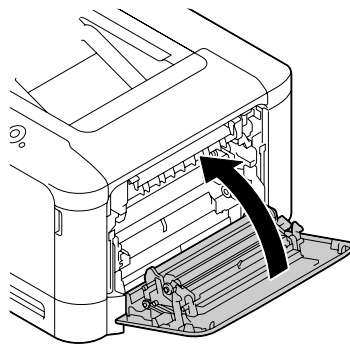
**Nota:**

Se tocar na superfície da correia de transferência de imagens ou do rolo de transferência, a qualidade de impressão pode diminuir.

Tenha cuidado para não tocar na superfície da correia de transferência de imagens ou do rolo de transferência.



3. Feche a tampa lateral direita.



Resolver problemas com alimentação do material

Nota:

Problemas de alimentação frequentes numa área indicam que a área deve ser verificada, reparada ou limpa. Também podem ocorrer repetidamente problemas de alimentação se utilizar material de impressão não suportado.

Sintoma	Causa	Solução
Passam várias folhas em simultâneo pela impressora.	As margens frontais do material não estão uniformes.	Remova o material e uniformize as margens frontais e, em seguida, recarregue-o.
	O material está húmido devido à humidade.	Remova o material húmido e substitua-o por material novo e seco.

Sintoma	Causa	Solução
A mensagem de material alimentado incorrectamente permanece.	A tampa lateral direita deve ser aberta e fechada novamente para reiniciar a impressora.	Abra e feche novamente a tampa lateral direita da impressora.
	Algum material permanece incorrectamente alimentado na impressora.	Verifique novamente o percurso do material e certifique-se de que remove todo o material incorrectamente alimentado.
Problemas de alimentação duplex.	Material não suportado (tamanho, espessura, tipo errado, etc.) em utilização.	Utilize material aprovado pela Epson. Consulte "Material de impressão" na página 63.
		Apenas é possível efectuar impressão duplex em papel liso, papel especial e em alta gramatura com 60–210 g/m ² (16–55,9 libras). Consulte "Material de impressão" na página 63.
		Certifique-se de que não misturou tipos de material na bandeja 1 ou 2.
	Não efectue impressão duplex (dois lados) em envelopes, etiquetas, timbres, cartões postais, papel brilhante ou de impressão só num lado.	
	O material continua a ser alimentado incorrectamente.	Verifique novamente o percurso do material no interior da opção duplex e certifique-se de que remove todo o material incorrectamente alimentado.

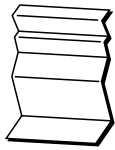
Sintoma	Causa	Solução
O material é incorrectamente alimentado.	O material não está correctamente posicionado na bandeja.	Remova o material incorrectamente alimentado e reposicione correctamente o material na bandeja.
	O número de folhas na bandeja ultrapassa o máximo permitido.	Remova o material em excesso e coloque novamente o número correcto de folhas na bandeja.
	As guias de material não estão correctamente ajustadas ao tamanho do material.	Ajuste as guias de material na bandeja para que correspondam ao formato do material.
	Material curvado ou amarrotado carregado na bandeja.	Remova o material, alise-o e volte a carregá-lo. Se os problemas de alimentação continuarem, não utilize esse material.
	O material está húmido devido à humidade.	Remova o material húmido e substitua-o por material novo e seco.
	Os envelopes são carregados na bandeja 2, 3.	Os envelopes apenas devem ser carregados na bandeja 1.
	Etiquetas, timbres, cartões postais, alta gramatura ou papel brilhante são carregados na bandeja 3.	Etiquetas, timbres, cartões postais, alta gramatura ou papel brilhante devem ser carregados na bandeja 1 ou 2.
	O material de formato personalizado é carregado na bandeja 3	O material de formato personalizado pode ser carregado na bandeja 1 ou 2. Consulte "Material de impressão" na página 63.
	A folha de etiquetas recomendada está virada ao contrário na bandeja 1 ou 2.	Carregue as folhas de etiquetas de acordo com as instruções do fabricante.
O material é incorrectamente alimentado.	Os envelopes estão virados ao contrário na bandeja 1.	Carregue os envelopes na bandeja 1 de modo a que as abas estejam viradas para cima.
	Material não suportado (tamanho, espessura, tipo errado, etc.) em utilização.	Utilize material aprovado pela Epson. Consulte "Material de impressão" na página 63.
	O rolo de material está sujo.	Limpe o rolo de fornecimento de material. Para mais informações, consulte "Rolos de material" na página 114.

Resolver outros programas

Sintoma	Causa	Solução
A alimentação da impressora não está ligada.	O cabo de alimentação não está correctamente ligado à tomada.	Desligue a impressora, confirme se o cabo de alimentação está correctamente ligado à tomada e, em seguida, ligue a impressora.
	Existe um problema com a tomada à qual está ligada a impressora.	Ligue outro aparelho eléctrico à tomada para verificar se funciona correctamente.
	O interruptor de alimentação não está correctamente ligado (posição I).	Desligue o interruptor de alimentação (posição O) e, em seguida, ligue-o novamente (posição I).
	A impressora está ligada a uma tomada com uma tensão ou frequência que não corresponde às especificações da impressora.	Utilize uma fonte de alimentação com as especificações listada no anexo A, "Especificações técnicas".
Foram enviados dados para a impressora, mas não são impressos.	É apresentada uma mensagem de erro na janela de mensagens.	Proceda de acordo com a mensagem apresentada.
	É possível cancelar uma tarefa se as configurações de autenticação do utilizador ou de controlo de conta forem especificadas.	Clique no botão Autenticação do utilizador/Controlo de conta no controlador de impressão e, em seguida, escreva as informações necessárias antes de imprimir.
O painel de controlo apresenta TONER LOW (Toner Baixo) muito antes do esperado.	Um dos cartuchos de toner pode estar danificado.	Retire os cartuchos de toner e verifique se estão danificados. Se um(a) estiver danificado(a), substitua-o(a).
	Imprimiu com uma cobertura de toner elevada.	Consulte as especificações no anexo A.
Não é possível imprimir a página de configuração.	A bandeja está vazia.	Verifique se pelo menos a bandeja 1 possui material carregado no sítio e seguro.
	Existe material alimentado incorrectamente.	Retire o material alimentado incorrectamente.


Sintoma	Causa	Solução
Não é possível imprimir a partir de um dispositivo de memória USB.	O formato de ficheiro (extensão do ficheiro) não pode ser impresso.	Apenas podem ser impressos ficheiros no formato (extensão) JPEG, TIFF, XPS ou PDF.
	MEMORY DIRECT (DIR. DA MEMÓRIA) para a impressora está configurado como DISABLE (DESATIVAR).	Mude a configuração de INTERFACE MENU (MENU INTERFACE)/MEMORY DIRECT (DIR. DA MEMÓRIA) para ENABLE (ATIVAR).
	Não foi especificado um utilizador público para autenticação do utilizador.	Contacte o administrador da impressora.
	São utilizados dispositivos de memória USB encriptados.	Os dispositivos de memória USB encriptados não são suportados.
A impressão demora demasiado tempo.	A impressora está configurada para o modo de impressão lenta (por exemplo, alta gramatura).	É necessário mais tempo para imprimir em material especial. Ao utilizar papel normal, certifique-se de que o tipo de material está definido correctamente no controlador.
	A tarefa é muito complexa.	Aguarde. Não é necessária qualquer acção.
	A memória da impressora é insuficiente.	Adicione mais memória.
	Foi instalado um cartucho de toner para uma região diferente ou um cartucho de toner genuíno não aprovado (NONGENUINE TONER X (TONER NÃO ORIGINAL X) é apresentado na janela de mensagens).	Instale um cartucho de toner Epson correcto para a impressora específica.
Surgem páginas em branco durante a impressão.	Um ou mais cartuchos de toner estão danificados ou vazios.	Verifique os cartuchos de toner. A imagem não será impressa se um ou mais cartuchos de toner estiverem vazios.
	Está a ser utilizado o material errado.	Verifique se o tipo de material configurado no controlador corresponde ao material carregado na impressora.





Sintoma	Causa	Solução
Não são impressas todas as páginas.	A impressora tem um tipo de cabo errado ou a impressora não está configurada para o cabo e porta correctos.	Verifique o cabo.
	A tecla Cancel foi premida.	Certifique-se de que ninguém premiu a tecla Cancel enquanto a tarefa era impressa.
	A bandeja está vazia.	Verifique se as bandejas possuem material carregado no sítio e seguro.
	Um documento é impresso com um ficheiro de sobreposição que foi criado por um controlador inapropriado.	Imprima o ficheiro de sobreposição utilizando um controlador apropriado.
A impressora reinicia ou desliga-se frequentemente.	O cabo de alimentação não está correctamente ligado à tomada.	Desligue a impressora, confirme se o cabo de alimentação está correctamente ligado à tomada e, em seguida, ligue a impressora.
	Ocorreu um erro do sistema.	Contacte a assistência técnica e apresente as informações de erro.
A mensagem PORT AUTH ACTIVE permanece apresentada na janela de mensagens.	A autenticação IEEE 802.1X falhou.	Altere a configuração de INTERFACE MENU (MENU INTERFACE)/ETHERNET/IEEE802.1X/ENABLE (ATIVAR) para NO (NÃO) e, em seguida, verifique todas as configurações relativas a IEEE 802.1X.


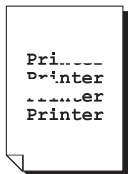

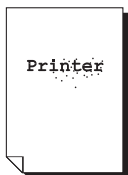
Sintoma	Causa	Solução
Está a ter problemas com o duplex (dois lados). (apenas para Epson AcuLaser C3900DN)	O material ou as configurações não estão correctos.	Certifique-se de que está a utilizar material correcto. <ul style="list-style-type: none"> <input type="checkbox"/> Consulte "Material de impressão" na página 63. <input type="checkbox"/> Não efectue impressão duplex (dois lados) em envelopes, etiquetas, timbres, cartões postais, papel brilhante ou de impressão só num lado. <input type="checkbox"/> Certifique-se de que não misturou tipos de material na bandeja 1 ou 2.
		Certifique-se de que o documento tem mais de uma página.
		Certifique-se de que "EPSON AL-C3900" está seleccionado na caixa "Model (Modelo)" em "Device Options (Opções dispositivo)" do controlador de impressão do Windows (separador Propriedades/Configure (Configurar)).
		No controlador de impressão do Windows (Tipo Layout/Print (Imprimir)), seleccione "Double-Sided (Dois lados)."
		Para N-up (N-até) em páginas impressas em duplex, seleccione Collate (Intercalar) apenas no separador Basic (Base) do controlador do Windows. Não defina agrupamento na aplicação.
Com mais de N em várias cópias, a saída é incorrecta.	O controlador e a aplicação foram configurados para agrupamento.	Para N-up (N-até) em várias copias, seleccione Collate (Intercalar) apenas no separador Basic (Base) do controlador do Windows. Não defina agrupamento na aplicação.
São emitidos ruídos fora do normal.	Existe um objecto estranho preso no interior da impressora.	Desligue a impressora e retire o objecto. Se não conseguir removê-lo, contacte a assistência técnica.
Não é possível aceder ao utilitário com base na Web.	A palavra-passe do administrador Web-Based EpsonNet Config está incorrecta.	A palavra-passe do administrador Web-Based EpsonNet Config possui um mínimo de 0 caracteres e um máximo de 16 caracteres. Para obter mais informações acerca da palavra-passe do administrador Web-Based EpsonNet Config, consulte o Guia de Referência.
O material está amarrotado. 	O material está húmido devido à humidade ou ao derramamento de água sobre si.	Remova o material húmido e substitua-o por material novo e seco.
	O rolo de transferência ou a unidade de fusão está danificada.	Verifique se estão danificados. Se necessário, contacte a assistência técnica e apresente as informações de erro.
	Material não suportado (tamanho, espessura, tipo errado, etc.) em utilização.	Utilize material aprovado pela Epson. Consulte "Material de impressão" na página 63.




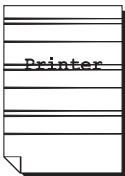
Sintoma	Causa	Solução
A data e hora não é mantida correctamente na impressora.	A pilha de reserva chegou ao fim da vida útil.	Substitua a pilha de reserva. Para mais informações, consulte "Substituir a pilha de reserva" na página 104.
As páginas que foram alimentadas não foram carregadas uniformemente.	O papel está muito enrolado.	Retire o papel da bandeja de papel, vire-o ao contrário e, em seguida, carregue-o novamente.
	Existem folgas entre as guias de material da bandeja de papel e os lados do papel.	Faça deslizar as guias de material da bandeja de papel contra os lados do papel de modo a que não existam folgas.
O disco rígido foi formatado automaticamente.	O disco rígido estava cheio.	Quando o painel de controlo apresentar <code>HDD NEAR FULL</code> (<code>HDD QUASE CHEIO</code>), elimine tarefas de impressão e recursos (fontes, formas, etc.) que foram guardados no disco rígido através de Web-Based EpsonNet Config.


Resolver problemas com a qualidade de impressão

Sintoma	Causa	Solução
<p>Nada é impresso ou existem pontos brancos na página impressa.</p> 	Uma ou mais unidades fotocondutoras podem estar danificadas.	Retire as unidades fotocondutoras e verifique se estão danificadas. Se estiver danificado(a), substitua-o(a).
	O material está húmido devido à humidade.	Controle a humidade existente no armazenamento de material. Remova o material húmido e substitua-o por material novo e seco.
	O material configurado no controlador de impressão não corresponde ao material carregado na impressora.	Carregue o material correcto na impressora.
	A fonte de alimentação não corresponde às especificações da impressora.	Utilize uma fonte de alimentação com as especificações adequadas.
	Estão a ser alimentadas várias folhas em simultâneo.	Retire o material da bandeja e verifique se possui electricidade estática. Folheie o papel liso ou outro material e volte a colocá-lo na bandeja.
	O material não está colocado correctamente na(s) bandeja(s).	Remova o material, alinhe-o para que fique uniforme e volte a colocá-lo na bandeja, alinhando novamente as guias de material.

Sintoma	Causa	Solução
<p>Toda a folha está impressa a preto ou com uma cor.</p> 	<p>Uma ou mais unidades fotocondutoras podem estar danificadas.</p>	<p>Retire as unidades fotocondutoras e verifique se estão danificadas. Se estiver danificado(a), substitua-o(a).</p>
<p>A imagem é muito clara; existe uma baixa densidade da imagem.</p> 	<p>A lente laser está suja.</p>	<p>Limpe a lente laser.</p>
	<p>O material está húmido devido à humidade.</p>	<p>Retire o material húmido e substitua-o por material novo e seco.</p>
	<p>Existe pouco toner no cartucho.</p>	<p>Substitua o cartucho de toner.</p>
	<p>Uma ou mais unidades fotocondutoras podem estar danificadas.</p>	<p>Retire as unidades fotocondutoras e verifique se estão danificadas. Se um(a) estiver danificado(a), substitua-o(a).</p>
<p>O tipo de material está configurado incorrectamente.</p>	<p>Ao imprimir envelopes, etiquetas, timbres, cartões postais, alta gramatura, papel brilhante, papel de impressão só num lado ou papel especial, especifique o respectivo tipo de material no controlador de impressão.</p>	
<p>A imagem é muito escura.</p> 	<p>Uma ou mais unidades fotocondutoras podem estar danificadas.</p>	<p>Retire as unidades fotocondutoras e verifique se estão danificadas. Se um(a) estiver danificado(a), substitua-o(a).</p>
<p>A imagem está desfocada; o fundo está ligeiramente manchado; não existe brilho suficiente na imagem impressa.</p> 	<p>Uma ou mais unidades fotocondutoras podem estar danificadas.</p>	<p>Retire as unidades fotocondutoras e verifique se estão danificadas. Se um(a) estiver danificado(a), substitua-o(a).</p>

Sintoma	Causa	Solução
<p>A impressão ou densidade de cor não é uniforme.</p> 	Um ou mais cartuchos de toner podem estar danificados ou com pouco toner.	Retire os cartuchos de toner e verifique se estão danificados. Se um(a) estiver danificado(a), substitua-o(a).
	A impressora não está nivelada.	Coloque a impressora numa superfície plana, sólida e nivelada.
<p>Aparecem impressões irregulares ou imagens matizadas.</p> 	O material está húmido devido à humidade.	Controle a humidade existente na área de armazenamento de material. Remova o material húmido e substitua-o por material novo e seco.
	Material não suportado (tamanho, espessura, tipo errado, etc.) em utilização.	Utilize material aprovado pela Epson. Consulte "Material de impressão" na página 63.
	Uma ou mais unidades fotocondutoras podem estar danificadas.	Retire as unidades fotocondutoras e verifique se estão danificadas. Se estiver danificado(a), substitua-o(a).
<p>Não existe fusão suficiente ou a imagem desaparece quando esfregada.</p> 	O material está húmido devido à humidade.	Remova o material húmido e substitua-o por material novo e seco.
	Material não suportado (tamanho, espessura, tipo errado, etc.) em utilização.	Utilize material aprovado pela Epson. Consulte "Material de impressão" na página 63.
	Tipo de material definido incorrectamente.	Ao imprimir envelopes, etiquetas, timbres, cartões postais, alta gramatura, papel brilhante, papel de impressão só num lado ou papel especial, especifique o respectivo tipo de material no controlador de impressão.
<p>Existem manchas de toner ou imagens residuais.</p> 	Uma ou mais unidades fotocondutoras podem estar danificadas ou instaladas incorrectamente.	Retire as unidades fotocondutoras e verifique se estão danificadas. Se um(a) estiver danificado(a), substitua-o(a).

Sintoma	Causa	Solução
<p>Existem manchas de toner no verso da folha (quer tenha sido ou não impressa em modo duplex).</p> 	<p>O percurso do material está sujo com toner.</p>	<p>Imprima várias folhas brancas para que o excesso de toner desapareça.</p>
	<p>Uma ou mais unidades fotocondutoras podem estar danificadas.</p>	<p>Retire as unidades fotocondutoras e verifique se estão danificadas. Se estiver danificado(a), substitua-o(a).</p>
<p>Aparecem áreas anormais (branco, preto ou a cores) num padrão regular.</p> 	<p>A lente laser está suja.</p>	<p>Limpe a lente laser.</p>
	<p>Uma unidade fotocondutora pode estar danificada.</p>	<p>Retire a unidade fotocondutora com a cor que provoca a imagem anormal. Substitua-a por uma unidade fotocondutora nova.</p>
<p>Defeitos na imagem.</p> 	<p>A lente laser está suja.</p>	<p>Limpe a lente laser.</p>
	<p>Um cartucho de toner pode estar a verter.</p>	<p>Retire os cartuchos de toner e verifique se estão danificados. Se um(a) estiver danificado(a), substitua-o(a).</p>
	<p>Uma unidade fotocondutora pode estar danificada.</p>	<p>Retire a unidade fotocondutora com a cor que provoca a imagem anormal. Substitua-a por uma unidade fotocondutora nova.</p>
<p>Aparecem faixas ou linhas laterais na imagem.</p> 	<p>A impressora não está nivelada.</p>	<p>Coloque a impressora numa superfície plana, sólida e nivelada.</p>
	<p>O percurso do material está sujo com toner.</p>	<p>Imprima várias folhas para que o excesso de toner desapareça.</p>
	<p>Uma ou mais unidades fotocondutoras podem estar danificadas.</p>	<p>Retire as unidades fotocondutoras e verifique se estão danificadas. Se um(a) estiver danificado(a), substitua-o(a).</p>

Sintoma	Causa	Solução
As cores estão drasticamente incorrectas.	Uma ou mais unidades fotocondutoras podem estar danificadas.	Retire as unidades fotocondutoras e verifique se o toner está distribuído uniformemente em cada rolo do cartucho e volte a instalar as unidades fotocondutoras.
	Um ou mais cartuchos de toner podem estar com pouco toner ou vazios.	Verifique se o painel de controlo apresenta a mensagem TONER LOW X (TONER BAIXO X) ou REPLACE TONER X (TROCAR TONER X). Se for necessário, substitua o cartucho de toner especificado.
As cores não estão a ser correctamente registadas; as cores estão misturadas ou têm uma variação entre páginas.	Uma ou mais unidades fotocondutoras podem estar danificadas.	Retire as unidades fotocondutoras e verifique se estão danificadas. Se um(a) estiver danificado(a), substitua-o(a).
	O material está húmido devido à humidade.	Remova o material húmido e substitua-o por material novo e seco.
A cor tem uma fraca reprodução ou uma fraca densidade de cor. 	Uma ou mais unidades fotocondutoras podem estar danificadas.	Retire as unidades fotocondutoras e verifique se estão danificadas. Se um(a) estiver danificado(a), substitua-o(a).

Mensagens de estado, erro e assistência

As mensagens de estado, erro e assistência são apresentadas na janela de mensagens do painel de controlo. Fornecem informações sobre a impressora e ajudam-no a localizar diversos problemas. Quando o estado associado a mensagem apresentada for alterado, a mensagem é apagada da janela.

Mensagens de estado padrão

Esta mensagem...	significa...	efectue o seguinte...
CALIBRATING (CALIBRANDO)	Após substituir um cartucho de toner ou uma unidade fotocondutora, ou após reiniciar a impressora após alterações ambientais, a impressora pára automaticamente para efectuar um ciclo de Controlo de densidade de imagem automática (AIDC). Este processo é fornecido para tornar o funcionamento fiável da impressora com uma qualidade de impressão ideal.	Não é necessária qualquer acção.
CANCELLING JOB	A tarefa está a ser cancelada.	Não é necessária qualquer acção.
COPYING (COPIANDO)	A impressora está a imprimir com a função para intercalar.	Não é necessária qualquer acção.
ENERGY SAVER (ECONOM. ENERGIA)	A impressora está no Modo de economia de energia para reduzir o consumo de energia durante os períodos de inactividade. Quando uma tarefa de impressão é recebida, a impressora regressa à capacidade normal.	Não é necessária qualquer acção.
FIRMWARE UPDATE (ATUALIZ.FIRMWARE)	O firmware está a ser actualizado.	Não é necessária qualquer acção.
INITIALIZING (INICIALIZANDO)	A impressora está a ser inicializada.	Não é necessária qualquer acção.
PRINTING (a imprimir)	A impressora está a imprimir.	Não é necessária qualquer acção.
PROCESSING (PROCESSANDO)	A impressora está a processar dados.	Não é necessária qualquer acção.
READY (PRONTO)	A impressora está ligada e pronta para receber dados.	Não é necessária qualquer acção.
REBOOTING (REINICIANDO)	A impressora está a ser reiniciada.	Não é necessária qualquer acção.
WARMING UP (AQUECENDO)	A impressora está a aquecer.	Não é necessária qualquer acção.
OFFLINE	A impressora está desactivada.	Para imprimir em rede, altere a configuração TEL-NET para que fique online.


Mensagens de erro (Advertência)

Esta mensagem...	significa...	efectue o seguinte...
AUTH TIMEOUT (TEMPO LIMITE)	A sessão do utilizador foi terminada automaticamente devido à autenticação de porta IEEE802.1X.	Autorize novamente a porta IEEE802.1X e, em seguida, inicie a sessão.
DEVICE (DISPOSITIVO) NOT SUPPORTED (NÃO SUPORTADOS)	Está ligado um dispositivo incompatível.	Não ligue um dispositivo incompatível.
FUSER UNIT (UNIDADE FUSÃO) END OF LIFE (FIM VIDA ÚTIL)	A unidade de fusão chegou ao fim da vida útil.	Substitua a unidade de fusão e reinicie o contador no menu MAINTENANCE MENU (MENU MANUTENÇÃO)/SUPPLIES (ACESSÓRIOS)/REPLACE (SUBSTITUIR)/FUSER UNIT (UNIDADE FUSÃO) . Nota: A impressão pode continuar, mas não é possível garantir os resultados de impressão.
HDD NEAR FULL (QUASE CHEIO)	O disco rígido está cheio.	Elimine tarefas de impressão guardadas no disco rígido.
HUBS NOT SUPPORTED (NÃO SUPORTADOS)	Está ligado um concentrador USB.	Não ligue um concentrador USB.
INCORRECT (HDD) HDD	Como o disco rígido foi formatado numa máquina diferente, não foi possível utilizar o disco rígido.	Substitua o disco rígido por um compatível com esta máquina ou selecione HDD FORMAT (FORMATO HDD) em SYS DEFAULT MENU (MENU PADR SISTEMA) e formate o disco rígido.
INCORRECT (HDD) P/U X (X DA U/F)	A unidade fotocondutora X é de um tipo não aprovado.	Instale uma unidade fotocondutora Epson do tipo apropriado. Consulte "Substituir uma unidade fotocondutora" na página 94.
NONGENUINE (NÃO ORIGINAL) TONER X (X DE TONER)	A unidade de toner instalada não é um produto original Epson.	Recomenda-se a instalação de uma unidade de toner original.
P/U END (FIM VIDA U/F) X	A unidade fotocondutora X atingiu o final da sua vida útil.	Substitua a unidade fotocondutora.
P/U LIFE (VIDA ÚTIL U/F) X	A unidade fotocondutora X atingiu o final da sua vida útil.	Substitua a unidade fotocondutora. A impressão continua até a mensagem "P/U END (FIM VIDA U/F)" aparecer.

Esta mensagem...	significa...	efectue o seguinte...
P/U LOW (U/F BAIXA) X	A unidade fotocondutora X está quase vazia. (Aparece quando SYS DEFAULT MENU (MENU PADR SISTEMA)/ ENABLE WARNING (ATIV ADVERT)/P/U LOW (U/F BAIXA) está configurado como ON (LIG).)	Prepare a unidade fotocondutora de cor especificada.
PAPER EMPTY (SEM PAPEL) TRAY X (BAND X)	A bandeja X (bandeja 1, 2 ou 3) está vazia. (Aparece quando SYS DEFAULT MENU (MENU PADR SISTEMA)/ ENABLE WARNING (ATIV ADVERT)/PAPER EMPTY (SEM PAPEL)/TRAY X (BAND X) está configurado como ON (LIG).)	Carregue material na bandeja especificada.
	A bandeja X (bandeja 2 ou 3) não está instalada correctamente. (Aparece quando SYS DEFAULT MENU (MENU PADR SISTEMA)/ ENABLE WARNING (ATIV ADVERT)/PAPER EMPTY (SEM PAPEL)/TRAY X (BAND X) está configurado como ON (LIG).)	Instale correctamente a bandeja especificada.
PORT AUTH (AUTENTICAÇÃO) ACTIVE (ATIVA)	A porta IEEE802.1X está a processar.	Aguarde até o processo de autenticação estar concluído.
REPLACE TONER (TROCAR TONER) X	O cartucho de toner indicado está vazio.	Substitua o cartucho de toner indicado.
TONER LOW (TONER BAIXO) X	O cartucho de toner indicado está quase vazio. (Aparece quando SYS DEFAULT MENU (MENU PADR SISTEMA)/ ENABLE WARNING (ATIV ADVERT)/TONER LOW (TONER BAIXO) está configurado como ON (LIG).)	Prepare o novo cartucho toner indicado.
TRANS. BELT (CORREIA TRANSF) END OF LIFE (FIM VIDA ÚTIL)	A correia de transferência chegou ao fim da vida útil.	Contacte o vendedor ou o fornecedor de assistência autorizado.
TRANS. ROLLER (ROLO DE TRANS.) END OF LIFE (FIM VIDA ÚTIL)	O rolo de transferência chegou ao fim da vida útil.	Contacte o vendedor ou o fornecedor de assistência autorizado.

Esta mensagem...	significa...	efectue o seguinte...
UNABLE TO (IMPOSSÍVEL) COLLATE JOB (INTERC.TRAB.)	O disco rígido está cheio. Não é possível intercalar tarefas de impressão com mais de 10.000 páginas.	Imprima uma cópia do ficheiro de cada vez.
WASTE TONER (TONER USADO) NEAR FULL (QUASE CHEIA)	O frasco de toner residual está quase cheio.	Prepare um novo frasco de toner residual.

Mensagens de erro (chamada do operador)

Esta mensagem...	significa...	efectue o seguinte...
CONFIGURATION ERR (ERRO CONFIGURAÇÃO)	A configuração da impressora foi alterada quando a alimentação da impressora estava ligada.	Reinicie a impressora
COVER OPEN (TAMPA ABERTA) FRONT COVER (TAMPA FRONTAL)	A tampa frontal da impressora está aberta.	Feche a tampa frontal.
COVER OPEN (TAMPA ABERTA) SIDE COVER (TAMPA LATERAL)	A tampa lateral direita da impressora está aberta.	Feche a tampa lateral direita.
COVER OPEN (TAMPA ABERTA) TRAY3 COVER (TAMPA BANDA 3)	A tampa lateral direita da bandeja 3 está aberta.	Feche a tampa lateral direita da bandeja.
HOLD JOB ERROR (ERRO RET. TRAB.) UNABLE TO (IMPOSSÍVEL) STORE JOB (SALVAR TRAB.)	A tarefa de impressão especificada guardada no disco rígido é enviada enquanto o disco rígido não está instalado.	Apenas é possível guardar tarefas de impressão se estiver instalado um disco rígido. Se pretender, instale um disco rígido.
HOLD JOB ERROR (ERRO RET. TRAB.) "OPTIONAL" PRESS CANCEL (APERT CANCELAR)	Ao imprimir uma tarefa armazenada, a configuração da impressora foi alterada desde que a tarefa foi armazenada.	Altere a configuração da impressora para a utilizada quando a tarefa foi armazenada.
MANUAL EMPTY "SIZE" "MEDIA"	A bandeja 1 foi especificada com o controlador de impressão para alimentação manual de impressão, mas a bandeja 1 está vazia.	Carregue o material correcto na bandeja 1.
MANUAL FEED (ALIM MANUAL) "SIZE" "MEDIA"	A origem do papel no controlador de impressão está configurado para a bandeja 1 (alimentação manual), mas já existe material na bandeja quando a impressão inicia.	Prima a tecla  para imprimir ou retire e carregue novamente o material na bandeja 1.

Esta mensagem...	significa...	efectue o seguinte...
MEMORY FULL (Memória cheia) PRESS CANCEL (APERT CANCELAR)	A impressora recebeu mais dados do que é possível processar através da memória interna.	Prima a tecla Cancel para cancelar a tarefa de impressão. Diminua a quantidade de dados a imprimir e, em seguida, experimente imprimir novamente. Se isso não resolver o problema, instale um módulo de memória opcional.
NONGENUINE (NÃO ORIGINAL) TONER X (X DE TONER)	O cartucho de toner instalado não é um produto original Epson.	Recomenda-se a instalação de um cartucho de toner original.
P/U END (FIM VIDA U/F) REPLACE (SUBSTITUIR) X	A unidade fotocondutora X atingiu completamente o final da sua vida útil.	Substitua a unidade fotocondutora.
P/U MISSING (FALTA U/F) CHECK X (VERIF. X)	A unidade fotocondutora X não está instalada ou foi instalada uma unidade fotocondutora não aprovada.	Instale uma unidade fotocondutora Epson correcta.
PAPER EMPTY (SEM PAPEL) “SIZE” “MEDIA”	A bandeja especificada está vazia. (Aparece quando PAPER MENU (MENU PAPEL)/PAPER SOURCE (ORIGEM DO PAPEL)/TRAY CHAINING (ENCADEAM. BAND.) está configurado.)	Carregue o material correcto na bandeja especificada.
PAPER ERROR (ERRO DE PAPEL) “SIZE” “MEDIA”	O formato/tipo de material configurado no controlador de impressão é diferente do formato/tipo de material carregado (aparece quando PAPER MENU (MENU PAPEL)/PAPER SOURCE (ORIGEM DO PAPEL)/TRAY CHAINING (ENCADEAM. BAND.) está configurado.)	Carregue material com o formato e tipo correctos.

Esta mensagem...	significa...	efectue o seguinte...
PAPER JAM (ATOLAMENTO PAPEL) DUPLEX1	O material foi alimentado incorretamente no duplex.	Prima a tecla ∇ para apresentar o ecrã de ajuda. Siga as instruções no ecrã de ajuda para retirar o material incorrectamente alimentado.
PAPER JAM (ATOLAMENTO PAPEL) DUPLEX2	O material foi alimentado incorretamente no duplex.	
PAPER JAM (ATOLAMENTO PAPEL) SECOND TRANS (TRANS. SECUND.)	O material foi alimentado incorretamente na área do rolo de transferência. Este tipo de alimentação incorrecta significa que o material não chegou à área de saída de material.	
PAPER JAM (ATOLAMENTO PAPEL) TRAY1 (BAND1)	O material foi alimentado incorretamente na bandeja 1.	
PAPER JAM (ATOLAMENTO PAPEL) TRAY X (BAND X)	O material foi alimentado incorretamente ao ser retirado da bandeja especificada (bandeja 2 ou 3).	
PAPER JAM (ATOLAMENTO PAPEL) VERTICAL TRANS (TRANSF. VERTI)	O material foi alimentado incorretamente na área de transferência vertical.	
PAPER JAM (ATOLAMENTO PAPEL) FUSER/EXIT (FUSOR/SAÍDA)	O material foi alimentado incorretamente ao sair da área de fusão.	Prima a tecla ∇ para apresentar o ecrã de ajuda. Siga as instruções no ecrã de ajuda para retirar material incorrectamente alimentado.
	Os cartuchos de toner e as unidades fotocondutoras incluídos não se encontram instalados.	Certifique-se de que instala os cartuchos de toner e as unidades fotocondutoras incluídos.
REPLACE TONER (TROCAR TONER) X	O cartucho de toner X está completamente vazio.	Substitua o cartucho de toner.
TONER MISSING (FALTA TONER) CHECK X (VERIF. X)	O cartucho de toner X não está instalado ou foi instalado um cartucho de toner não aprovado.	Instale um cartucho de toner Epson correcto.

Esta mensagem...	significa...	efectue o seguinte...
TRAYX EMPTY "SIZE" "MEDIA"	A bandejaX (bandeja 1, 2 ou 3) foi especificada para impressão através do controlador de impressão, mas a bandejaX está vazia. Esta mensagem aparece quando o menu PAPER MENU (MENU PAPEL)/PAPER SOURCE (ORIGEM DO PAPEL)/TRAY CHAINING (ENCADEAM. BAND.) está configurado como OFF (DESAT.).	Carregue o material correcto na bandeja especificada.
TRAYX (BANDX) PAPER ERR (ERR PAPEL) "SIZE" "MEDIA"	O formato/tipo de material configurado no controlador de impressão é diferente do formato/tipo de material carregado. Esta mensagem aparece quando o menu PAPER MENU (MENU PAPEL)/PAPER SOURCE (ORIGEM DO PAPEL)/TRAY CHAINING (ENCADEAM. BAND.) está configurado como OFF (DESAT.).	Carregue material com o formato e tipo correctos.
TRAYX SIZE ERR (BANDX ERR FORM.) ADD (ADICIONAR) "SIZE"	O formato de material configurado no controlador de impressão é diferente do formato de material carregado.	Carregue material com o formato correcto na bandeja especificada.
WASTE TONER FULL (TON. USADO CHEIO) REPLACE BOTTLE (SUBST. RECIP.)	O frasco de toner residual está cheio.	Instale um novo frasco de toner residual.

Mensagens de assistência

Estas mensagens indicam um erro mais grave que apenas pode ser corrigido por um técnico de assistência ao cliente. Se aparecer uma destas mensagens, desligue a impressora e, em seguida, volte a ligá-la. Se o problema persistir, contacte o vendedor local ou fornecedor de assistência autorizado.

Esta mensagem de assistência...	significa...	efectue o seguinte...
SERVICE CALL XXXX (CHAM. ASS. XXXX) "Error"	Foi detectado um erro com o item "XXXX" indicado na mensagem de assistência. As informações acerca dos erros aparecem na parte inferior da janela de mensagens.	Reinicie a impressora. Normalmente esta operação apaga a mensagem de assistência e é possível retomar o funcionamento da impressora. Se o problema persistir, contacte a assistência técnica.

Capítulo 9

Instalar acessórios

Introdução

Nota:

A utilização de acessórios não fabricados nem suportados pela Epson irá anular a garantia.

Módulo de memória dual in-line (DIMM)	DIMM de 512 MB
Alimentador para 500 folhas de papel (bandeja 3)	Bandeja para 500 folhas incluída
Unidade de disco rígido	Disco rígido SATA

Nota:

- A instalação de acessórios requer sempre que a impressora e os acessórios estejam desligados e desconectados durante a instalação.*
- Esta impressora não suporta cartões CompactFlash.*

Protecção anti-estática

Nota:

É muito importante proteger a placa controladora da impressora contra danos electrostáticos ao efectuar qualquer tarefa que envolva a placa controladora.

Primeiro desligue todos os interruptores de alimentação. Se for fornecida uma pulseira anti-estática com o kit opcional da impressora, prenda uma extremidade ao pulso e a outra extremidade ao chassis de metal exposto na parte posterior da impressora. Nunca prenda a pulseira a uma peça de equipamento com a presença de corrente eléctrica. Superfícies de plástico, borracha, madeira, metal pintado e telefones não são pontos de ligação à terra válidos.

Se não tiver uma pulseira anti-estática, descarregue a carga eléctrica estática do corpo tocando numa superfície ligada à terra antes de manusear a impressora e quaisquer placas ou componentes da impressora. Evite também deslocar-se após se ligar à terra.

Módulo de memória dual in-line (DIMM)

Nota:

Poderá necessitar de memória adicional (DIMM) para gráficos complexos e para impressão duplex (dois lados).

Esta máquina detecta apenas metade da quantidade de memória instalada.

O módulo de memória dual in-line (ou DIMM) é uma placa de circuitos compacta com chips de memória instalados na sua superfície.

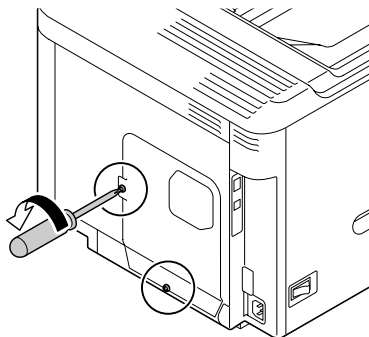
Existem 256 MB de memória integrados e encontra-se disponível uma ranhura de expansão de memória. A memória pode ser aumentada para um máximo de 768 MB (256 MB + 512 MB).

Instalar um DIMM

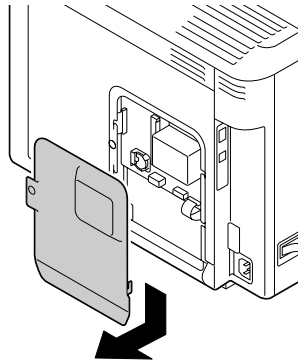
Nota:

É muito importante proteger a placa controladora da impressora e quaisquer placas de circuitos associadas contra danos electrostáticos. Antes de efectuar este procedimento, reveja os cuidados anti-estáticos em “Protecção anti-estática” na página 157. Além disso, manuseie sempre as placas de circuitos apenas pelas extremidades.

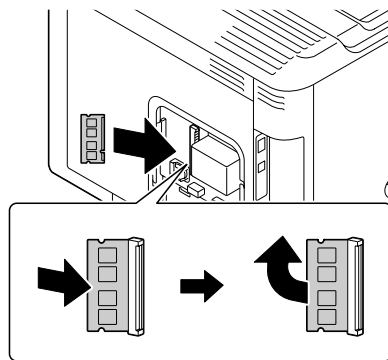
1. Desligue a impressora e retire o cabo de alimentação e os cabos de interface.
2. Retire os dois parafusos com uma chave de fendas.



3. Faça deslizar o painel ligeiramente para baixo e eleve-o da impressora.



4. Introduza o DIMM com um ângulo (cerca de 45°) no conector, certificando-se de que as reentrâncias na unidade ficam alinhadas com a patilha no conector e, em seguida, pressione-o cuidadosamente até encaixar.



Nota:

- Certifique-se de que manuseia o DIMM apenas pelas extremidades.*
 - Irá ouvir um clique quando o DIMM estiver correctamente instalado.*
5. Volte a instalar o painel e aperte os dois parafusos.
 6. Volte a ligar todos os cabos de interface.
 7. Volte a ligar o cabo de alimentação e ligue a impressora.
 8. Declare a Printer Memory (Memória da impressora) adicional no controlador de impressão do Windows (separador Properties (Propriedades)/Configure (Configurar)).

9. Imprima uma página de configuração (PRINT MENU (MENU IMPRESSÃO)/CONFIGURATION PG (PG. CONFIGURAÇÃO)) e verifique se a quantidade total de RAM instalada na impressora é apresentada.

Unidade de disco rígido (C12C824511)

Se instalar uma unidade de disco rígido, pode efectuar as seguintes operações:

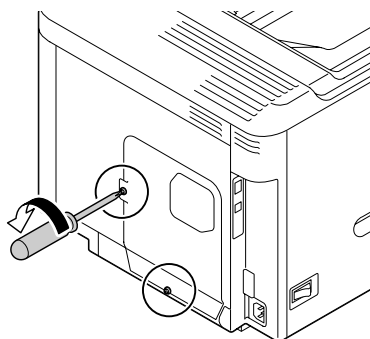
- Impressão intercalada
- Imprimir/guardar tarefas
- Transferência de fontes/formas
- Autenticação do utilizador/Controlo de conta
- Impressão directa

Instalar a unidade de disco rígido

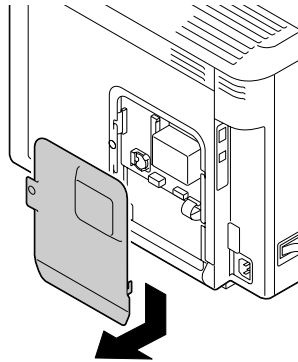
Nota:

É muito importante proteger a placa controladora da impressora e quaisquer placas de circuitos associadas contra danos electrostáticos. Antes de efectuar este procedimento, reveja os cuidados anti-estáticos em “Protecção anti-estática” na página 157. Além disso, manuseie sempre as placas de circuitos apenas pelas extremidades.

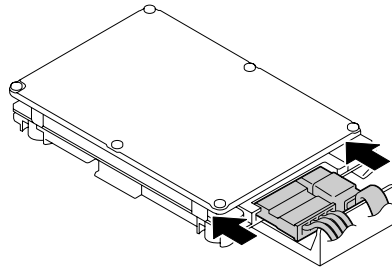
1. Desligue a impressora e retire o cabo de alimentação e os cabos de interface.
2. Retire os dois parafusos com uma chave de fendas.



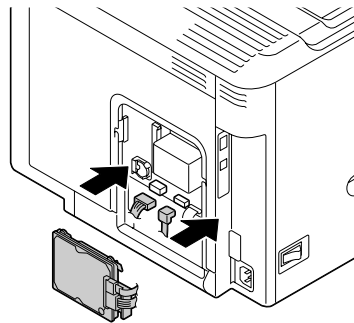
3. Faça deslizar o painel ligeiramente para baixo e eleve-o da impressora.



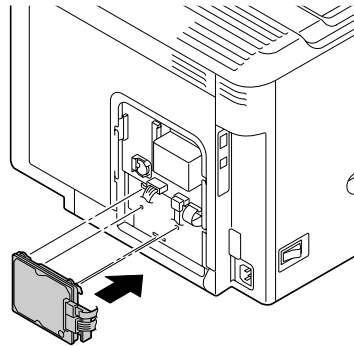
4. Ligue os dois cabos à unidade de disco rígido.



5. Introduza os dois cabos da unidade de disco rígido no conector.



6. Introduza os quatro pinos de montagem da unidade de disco rígido nos orifícios para montar a unidade de disco rígido.



7. Volte a instalar o painel e aperte os dois parafusos.
8. Volte a ligar todos os cabos de interface.
9. Volte a ligar o cabo de alimentação e ligue a impressora.
10. Declare o Hard Disk (Disco rígido) adicional no controlador de impressão do Windows (separador Properties (Propriedades)/Configure (Configurar)).

Alimentador para 500 folhas de papel (C12C802651)

Pode instalar um alimentador para 500 folhas de papel opcional (bandeja 3).

Instalar um alimentador para 500 folhas de papel

Nota:

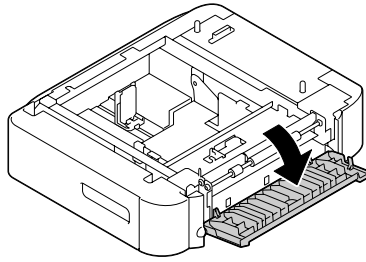
Como os consumíveis estão instalados na impressora, certifique-se de que mantém a impressora nivelada ao movê-la de modo a evitar derramamentos acidentais.

1. Desligue a impressora e retire o cabo de alimentação e os cabos de interface.
2. Prepare o alimentador para 500 folhas de papel.

Nota:

Certifique-se de que coloca o alimentador para 500 folhas de papel numa superfície nivelada.

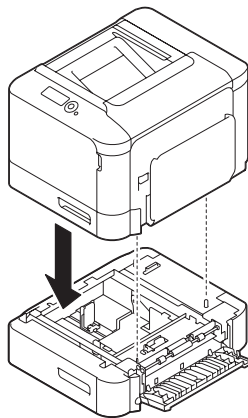
3. Abra a tampa lateral direita do alimentador para 500 folhas de papel.



Nota:

A tampa lateral direita do alimentador para 500 folhas de papel deve ser aberto antes do alimentador poder ser instalado na impressora.

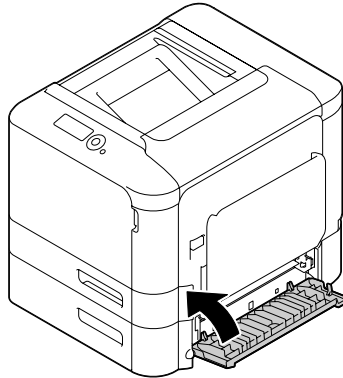
4. Com a ajuda de outra pessoa, eleve a impressora e coloque-a sobre o alimentador para 500 folhas de papel, certificando-se de que os pinos de posicionamento no alimentador para 500 folhas de papel encaixam correctamente nos orifícios existentes na parte inferior da impressora.



Advertência:

A impressora pesa aproximadamente 27 kg (60 libras) quando está totalmente carregada com consumíveis. A impressora deve ser levantada por duas pessoas.

5. Feche a tampa lateral direita do alimentador para 500 folhas de papel.



6. Volte a ligar todos os cabos de interface.
7. Volte a ligar o cabo de alimentação e ligue a impressora.
8. Declare o Paper Source Unit 3 (Origem do papel unidade 3) adicional no controlador de impressão do Windows (separador Properties (Propriedades)/Configure (Configurar)).

Apêndice A

Anexo

Especificações técnicas

Impressora

Tipo	Impressora de feixe laser A4 a cores tandem para secretária	
Sistema de impressão	Sistema de impressão electro-fotográfico	
Sistema de exposição	Díodo laser quádruplo e um espelho de polígonos	
Sistema de revelação	SMT por componentes mono	
Resolução	600 dpi × 600 dpi × 3 bits	
Tamanhos do material	Bandeja 1	Largura do papel: 92 a 216 mm Comprimento do papel: 148 a 356 mm
	Bandeja 2	Largura do papel: 92 a 216 mm Comprimento do papel: 148 a 297 mm
	Bandeja 3	B5 (JIS) - Legal
Papel/material	<input type="checkbox"/> Papel liso (60 a 90 g/m ²) <input type="checkbox"/> Reciclado (60 a 90 g/m ²) <input type="checkbox"/> Envelopes <input type="checkbox"/> Letterhead (Papel timbrado) <input type="checkbox"/> Etiquetas <input type="checkbox"/> Espessura 1 (91 a 150 g/m ²) <input type="checkbox"/> Espessura 2 (151 a 210 g/m ²) <input type="checkbox"/> Postcard (Cartão postal) <input type="checkbox"/> Brilhante 1 (100-128 g/m ²) <input type="checkbox"/> Brilhante 2 (129-158 g/m ²) <input type="checkbox"/> Só um lado (60 a 90 g/m ²) <input type="checkbox"/> Papel especial (60 a 90 g/m ²)	

Capacidade de entrada	Bandeja 1	Papel liso/Reciclado/Só um lado/Especial: 100 folhas Envelope: 10 envelopes Etiqueta/Cartão postal/Espessura 1/Espessura 2/Brilhante 1/Brilhante 2/Timbre: 20 folhas
	Bandeja 2	Papel liso/Reciclado/Só um lado/Especial: 250 folhas Etiqueta/Cartão postal/Espessura 1/Espessura 2/Brilhante 1/Brilhante 2/Timbre: 20 folhas
	Bandeja 3	Papel liso/Reciclado/Só um lado/Especial: 500 folhas
Capacidade de saída	Bandeja de saída	200 folhas (Papel liso:80 g/m ²)
Temperatura de funcionamento	10 a 30°C (50 a 86°F) Nota: Flutuações inferiores a 10°C (18°F) durante uma hora.	
Humidade de funcionamento	15 a 85% Nota: Flutuações inferiores a 10% durante uma hora.	
Fonte de energia	CA 120 V, 60 Hz CA 220 a 240 V, 50 a 60 Hz	
Consumo de energia	CA 120 V: 1100 W ou menos CA 220 a 240 V: 1200 W ou menos Modo de economia de energia: 15 W ou menos	
Amperagem	CA 120 V: 8,8 A ou menos CA 220 a 240 V: 4,6 A ou menos	
Ruído acústico	Impressão: 54 dB ou menos Em espera: 39 dB ou menos	
Dimensões externas	Altura: 330 mm (13,0") Largura: 444 mm (17,5") Profundidade: 531 mm (20,9") Nota: Excluindo algumas partes salientes e a bandeja de alimentação manual.	

Gramagem	Epson AcuLaser C3900N: aproximadamente 22 kg (49 libras) (sem consumíveis) aproximadamente 27 kg (60 libras) (com consumíveis) Epson AcuLaser C3900DN: aproximadamente 23 kg (51 libras) (sem consumíveis) aproximadamente 27 kg (60 libras) (com consumíveis)
Interface	Compatível com USB 2.0 (High Speed), Ethernet 10Base-T/100Base-TX/1000Base-T, anfitrião USB (dispositivo de impressão USB)
Memória padrão	256 MB

Índice

A	
Acessórios.....	157
alimentador para 500 folhas de papel.....	162
DIMMs.....	158
Unidade de disco rígido.....	160
alimentador para 500 folhas de papel.....	162
Alta gramatura.....	67
Área de impressão.....	73
Armazenamento do material.....	85
B	
Bandeja de saída.....	85
C	
Cartões postais.....	70
Colocar material.....	75
Consumíveis	
Cartucho de toner.....	87
Frasco de toner residual.....	101
Pilha de reserva.....	104
Unidade fotocondutora.....	94
Controlador de impressão (Postscript, PCL).....	21
Desinstalar.....	21
Minha guia.....	24
Separador Advanced (Avançadas).....	24
Separador Basic (Base).....	24
Separador Cover page (Configuração por página).....	26
Separador Layout.....	25
Separador Other (Outras).....	28
Separador Quality (Qualidade).....	27
Separador Watermark/Overlay (Marca d'água/ Sobreposição).....	26
Controlador de impressão (PPD)	
Desinstalar.....	21
D	
Descarga anti-estática.....	157
Directamente a partir da memória.....	61
Duplex.....	83
E	
Envelopes.....	67
Etiquetas.....	68
Evitar problemas de alimentação do material.....	123
I	
Impressora	
Peças.....	16
J	
Janela de mensagens.....	30
M	
Manutenção.....	111
Material	
Área de impressão.....	73
Colocar.....	75
Evitar problemas de alimentação do material.....	123
Resolver problemas de alimentação.....	124
Material alimentado incorrectamente	
Bandeja 1.....	136
Bandeja 2.....	125
Bandeja 3.....	128
Opção duplex.....	131
Unidade de fusão.....	132
Material brilhante.....	71
Mensagem.....	149
Mensagens de assistência.....	156
Mensagens de erro.....	151
Menu de configuração.....	31
Módulo de memória dual in-line.....	158
P	
Painel de controlo.....	29

Papel especial.....	72
Papel liso.....	65
Papel timbrado.....	69
Peças de manutenção	
Unidade de fusão.....	106
Problemas de alimentação.....	138
Resolver.....	124
Rolo de transferência.....	136
Problemas de alimentação do material	
Evitar.....	123
Protecção anti-estática.....	157

Q

Qualidade de impressão.....	145
-----------------------------	-----

R

Resolução de problemas.....	123
-----------------------------	-----

S

Só um lado.....	72
-----------------	----

T

Tipo de material	
Alta gramatura.....	67
Cartões postais.....	70
Envelopes.....	67
Etiquetas.....	68
Material brilhante.....	71
Papel especial.....	72
Papel liso.....	65
Papel timbrado.....	69
Só um lado.....	72

U

Unidade de disco rígido.....	160
------------------------------	-----