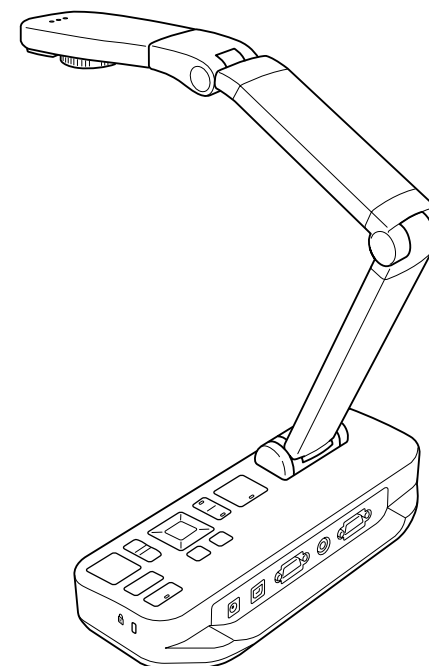


EPSON
EXCEED YOUR VISION



Document Camera User's Guide

ELPDC11



Important Safety Instructions

Read this *User's Guide* and follow all safety instructions for your document camera. Keep this guide at hand for future reference.

 Warning	This symbol indicates information that, if ignored, could possibly result in personal injury or even death due to incorrect handling.
 Caution	This symbol indicates information that, if ignored, could possibly result in personal injury or physical damage due to incorrect handling.

Environmental Requirements

Warning

Do not leave the document camera or the remote control with batteries inside a vehicle with the windows closed, in places where they will be exposed to direct sunlight, or in other places that may become extremely hot. Thermal damage, fire, or malfunction may occur.

Do not use or store the document camera outdoors for an extended length of time, or where it may be exposed to rain, water, or excessive humidity. Fire or electric shock may result.

Do not use the document camera in places where smoke from cigarettes may be present, where it will be exposed to greasy smoke, humidity, or steam (such as cooking areas or near humidifiers), or where there is a lot of heat or dust. This can adversely affect the quality of the projected images.

Caution

Do not set up the document camera near high-voltage electrical wires or sources of magnetic fields. This may interfere with correct operation.

Operate in the proper environmental conditions.  [p.62](#)

Do not place or store the unit where it is accessible to small children. The unit may drop or tip over, causing personal injury.

Do not place the document camera where it will be subject to a lot of vibration or shock.

Electrical Safety

Warning

Never open any covers on the document camera except as specifically explained in the *User's Guide*. Never attempt to disassemble or modify the document camera. Refer all repairs to qualified service personnel.

Unplug the document camera from the outlet and refer all repairs to qualified service personnel under the following conditions:

- If smoke, strange odors, or strange noises come from the device
- If liquid or foreign objects get inside the device
- If the device has been dropped or the housing has been damaged

Continuing to use under these conditions may result in fire or electric shock.

Do not attempt to use any adapter other than the AC adapter and power cord included with the device. Using an improper adapter may cause damage, overheating, fire, or electric shock.

Be sure to use the AC adapter with the proper voltage indicated in this guide. Use of a different power source may result in fire or electric shock.

If the AC adapter, power cord, or document camera is damaged, turn the power off, unplug the AC adapter from the electrical outlet, and contact your local distributor. Using the damaged device may cause fire or electric shock.

Do not touch the device, the AC adapter, or the plug with wet hands. This may cause electric shock.

Do not pull the power cord too hard or set heavy objects on top of it. If the AC adapter, power cord, or document camera is damaged, turn the power off, unplug the AC adapter from the electrical outlet, and contact your local distributor. Using the damaged device may cause fire or electric shock.

Caution

Turn off the document camera and unplug it after use.

Make sure the power is turned off, the plug is disconnected from the outlet, and all cables are disconnected before moving the document camera.

Eye Safety

Warning

Do not look into the lens when the LED illumination lamp is on. The bright light can damage your eyes.

Securing the Document Camera

Warning

If you apply adhesives to prevent the screws from loosening, or if you use lubricants or oils on the document camera, the document camera housing may crack. This could cause serious injury. Do not use adhesives to prevent the screws from loosening and do not use oils or lubricants.

Caution

Do not place the document camera in an unstable location, such as on a shaky table or slanted surface. The document camera may drop or tip over, causing personal injury. If you use a table, cart, or stand, make sure it is stable and will not fall over.

When using the mounting points under the document camera to secure it to a table, cart, or stand, fasten the bolts securely but do not overtighten them. Do not use adhesives.

Cleaning and Liquids

Warning

Use a dry cloth (or, for stubborn stains, a moist cloth that has been wrung dry) for cleaning. Do not use liquid, aerosol cleaners, or solvents such as alcohol, thinner or benzene.

Do not place any containers of liquid on top of or near the unit.

Do not spill liquid or spray fine mist into the document camera. Liquids entering the document camera may cause malfunction, fire, or electric shock. If you spilled liquid, turn the power off, unplug the AC adapter from the electrical outlet, and contact your local distributor. Using the damaged device may cause fire or electric shock.

Do not insert or drop metal, flammable, or foreign objects into the document camera's vents or openings nor leave them nearby. Doing so may result in fire, electric shock, or burns.

Caution

Unplug the document camera from the outlet before cleaning to prevent electric shock.

General Use

Caution

Do not use excessive force when adjusting the document camera. The document camera may be broken, resulting in personal injury.

Do not place heavy objects on document camera, or it may be damaged.

Do not try to press the arm flat or fold it backwards, or it may get damaged.

Remote Control Battery Safety

Warning

Incorrect battery usage may cause batteries to rupture and leak battery fluid, which could result in fire, injury, or corrosion of the remote control.

If liquid from a battery gets in your eyes, do not rub your eyes. Wash them well with clean water and contact a doctor immediately. If liquid enters your mouth, rinse immediately with plenty of water and consult a doctor. If liquid from the battery comes in contact with your skin or clothes, wash with water to prevent possible skin damage.

Keep batteries out of the reach of children. Batteries are a choking hazard and are very dangerous if swallowed.

Insert batteries so that the polarities (+ and -) are correct. Not doing so may cause leakage, overheating, or explosion.

Do not use a new battery and an old battery, or different types of batteries at the same time. Doing so may cause leakage, overheating, or explosion.

Remove the batteries if you will not be using the document camera for a long period of time. When a battery runs down, take it out of the device immediately. If a discharged battery is left inside for a long time, gas emitted from the battery may cause leakage, overheating, explosion, or damage to the device.

Important Safety Instructions 2

Introduction

Product Features 9

Included Items 9

Document Camera Parts 10

Top (Control panel)/Side/Rear 10

Camera Head 11

Base 12

Remote Control Buttons 13

Remote Control 13

Storing the Document Camera 15

Securing the Document Camera 16

Basic Setup and Use

Plugging In and Turning On 18

Connecting to a Projector 19

Connecting to a Computer 20

Connect to Use the Document Camera Software 20

Connect Without Using the Document Camera Software 21

Displaying a Document or Other Materials 22

Freezing an Image 23

Displaying Small Objects Up Close 23

Displaying Live Action or a Whiteboard 24

**Switching Between Your Computer and the Live Camera Image
..... 25**

Image Adjustments and Effects

Using the On-screen Menu 27

Making Image Adjustments 27

Displaying a Split Screen 28

Making Other Settings 30

Saving Images and Displaying a Slideshow

Saving Images to the Internal Memory 32

Exporting Images to a Memory Card 33

Viewing and Managing Files from Your Computer 35

Displaying a Slideshow 37

Using the Included Software

Installing the Software 39

Uninstalling the Software 39

Windows 39

Macintosh 39

Starting the Software 40

Annotating Images 41

Capturing Still Images 42

Making Time-lapse Movies 43

Recording Videos 44

Compatible File Format 44

Editing Saved Files 45

Managing Saved Files 46

Uploading and Sharing Your Videos 47

Solving Problems

Problems and Solutions 49

 Operation Problems 49

 Image Quality Problems 49

 Problems Using an SD Card 50

 Problems Connecting a Laptop 50

 Problems Using the Document Camera Software 50

Where to Get Help 51

 Europe 51

 Africa 56

 Middle East 56

 North and Central America 56

 South America 57

 Asia and Oceania 58

Notices

Specifications 62

 General 62

 Remote Control 62

 Dimensions 62

 Electrical 62

 AC Adapter 62

 Environmental 62

 System Requirements 62

FCC Compliance Statement 63

 For United States Users 63

 WARNING 63

 For Canadian Users 63

Declaration of Conformity 64

Copyrights and Trademarks 65

 Responsible Use of Copyrighted Materials 65

 Trademarks 65

Introduction

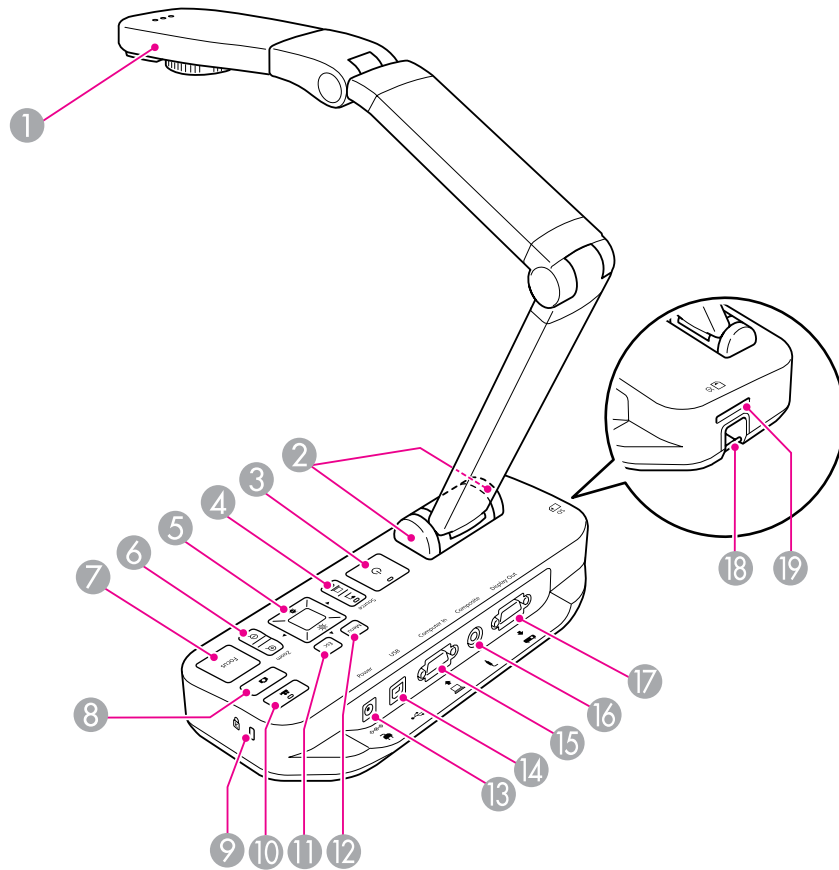
You can use the Epson ELPDC11 document camera to capture and project pages from books or other documents, and even three-dimensional objects. With the included software, you can capture live audio and video, create time lapse photos, and annotate images produced by the document camera.

- Versatile setup
Connect the document camera to any projector using a standard VGA or composite video cable, or to other video equipment such as an external monitor.
- Still image capture
Capture still images in the document camera's 1GB internal memory, on an inserted SD card, or with a connected computer. Then play the images back as a slideshow.
- Live audio and video
Capture smooth, full-motion video at up to 30 frames per second (including sound from the built-in microphone), when you use the document camera with a computer and the included software. Use the software to edit your videos and play them back later.
- High image quality and performance
5 megapixel image sensor, 10x digital zoom (up to 2x lossless), and 29.7 x 42 cm (11.7 x 16.5 inch) capture area enable you to display up to two pages side-by-side in rich detail with SXGA/WXGA/XGA auto-selected output for easy setup.

Included Items

- Remote control with 2 AA batteries
- Power cord and adapter
- VGA cable
- USB cable
- Software CD
- User's manual CD
- *Quick Start guide*
- Microscope adapter

Top (Control panel)/Side/Rear

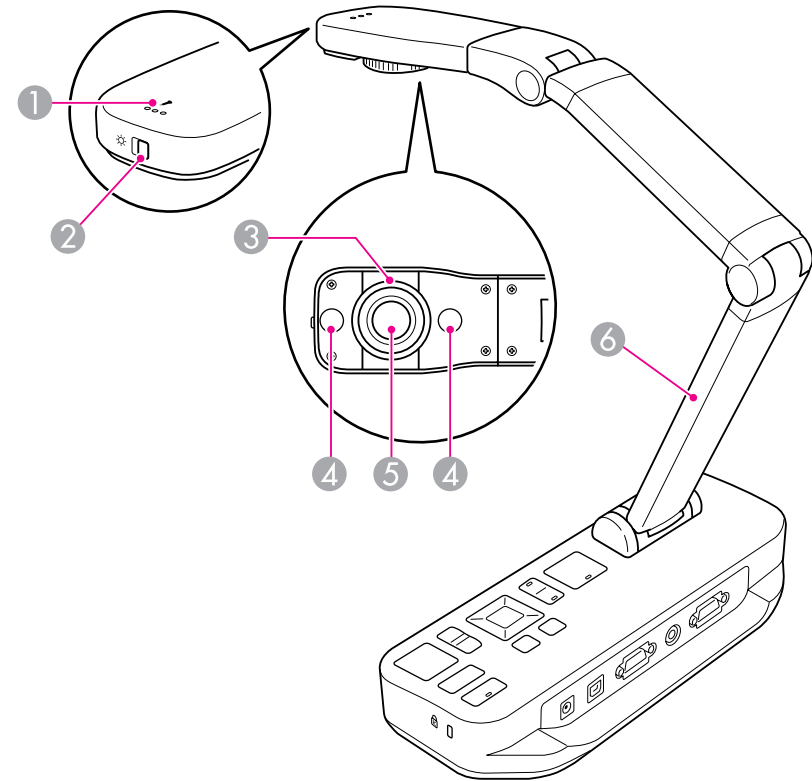


Name	Function
① Camera head	Rotate the camera head $\pm 90^\circ$ to display images of a document or from a wall.
② Remote receiver	Receives signals from the remote control.
③ [⏻] button	Turns the document camera power on or off.

Name	Function
④ [Source] button [📷] [💻]	[📷] Projects images from the document camera. [💻] Projects images from a computer.
⑤ [▲] [▼] [◀] [▶] button	When the menu screen is displayed, pressing these buttons selects menu items and setting values.
[☀️] [🌑] button	Adjusts the image Brightness.
[Enter] button	When the menu is displayed, pressing this button confirms the current item.
⑥ [Zoom] button [⊕] [⊖]	Enlarges or reduces the image without changing the projection size.
⑦ [Focus] button	Press the [Focus] button to automatically focus the image. The unit cannot focus on objects that are approximately 10 cm (4 inches) or less from the camera lens.
⑧ [📷] button	If you press and release the button, the image is frozen. If you press and hold the button, the still image is saved to SD card or internal memory.
⑨ Security slot	The security slot is compatible with the Microsaver security system manufactured by Kensington. 👉 p.16
⑩ [📹] button	Starts and stops video recording with the included software.
⑪ [Esc] button	Stops the current function. When the menu is displayed, pressing this button moves to the previous menu level.
⑫ [Menu] button	Opens and closes the menu.
⑬ AC adapter port	Connects the supplied power cord and adapter.
⑭ USB (TypeB) port	Connects the document camera to a computer via the supplied USB cable when using the included software.
⑮ Computer In port	Inputs image signals from a computer.

	Name	Function
16	Composite port	Outputs composite video signals to a projector or external monitor.
17	Display Out port	Outputs image signals to a projector.
18	Security bar	Lets you attach a commercially available security cable to lock the document camera in place. 🔑 p.16
19	SD card slot	Lets you save and display images on an SD card. 🔑 p.33

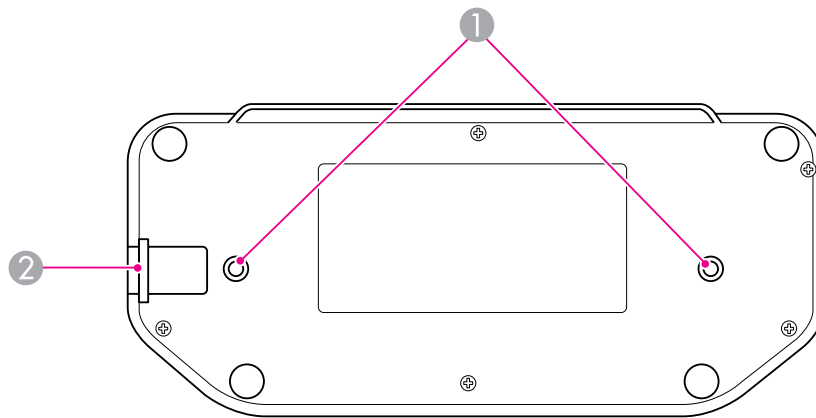
Camera Head



	Name	Function
1	Microphone	Captures sound when you record a video.
2	[☀️] Lamp switch	Turn the LED lamp on or off.
3	Image rotation dial	Turns the displayed image $\pm 90^\circ$.
4	LED lamp	Turn on this lamp when there is not enough light on your document.
5	Camera lens	Captures the image.

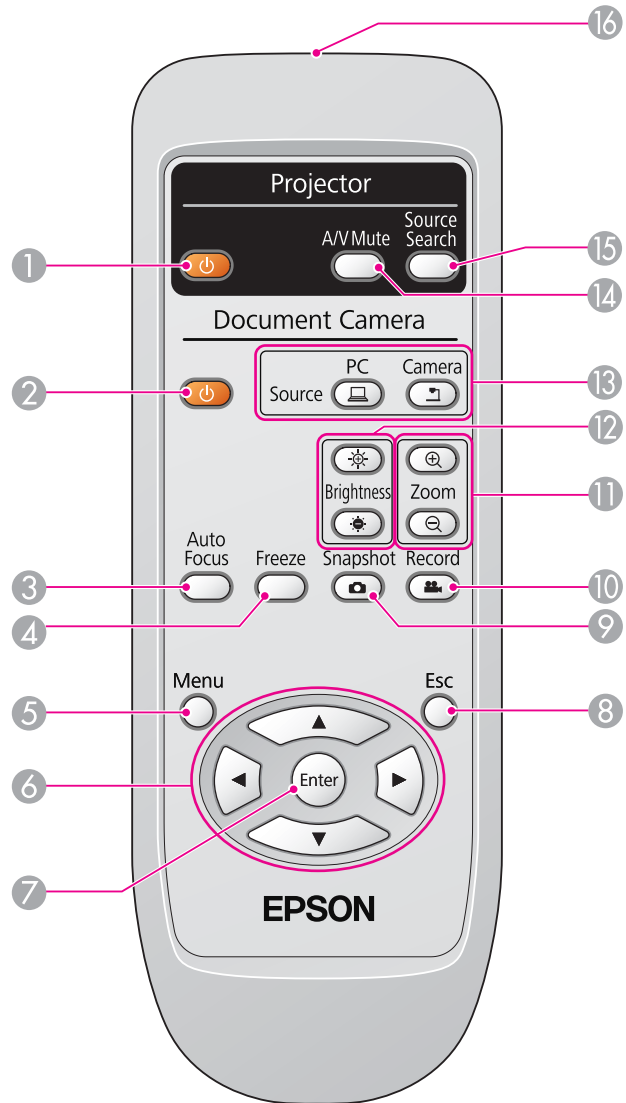
	Name	Function
6	Camera arm	Extends or retracts the camera arm to adjust the height of the camera head.

Base







	Name	Function
1	Mounting points	You can attach the document camera to a table, cart, or stand with commercially available M4-size bolts. 👉 p.16
2	Security bar	Lets you attach a commercially available security cable to lock the document camera in place. 👉 p.16

Remote Control



	Name	Function
①	[⏻] button	When used with an Epson projector, turns the projector on or off. You cannot operate the document camera with this button.
②	[⏻] button	Turns the document camera on or off. You cannot operate a projector with this button.
③	[Focus] button	Press the [Focus] button to automatically focus the image. The unit cannot focus on objects that are approximately 10 cm (4 inches) or less from the camera lens.
④	[Freeze] button	Freezes the current image; press the button again to continue.
⑤	[Menu] button	Displays and closes the menu.
⑥	[▲] [▼] [◀] [▶] buttons	When the menu or Help screen is displayed, pressing these buttons selects menu items and setting values.
⑦	[Enter] button	When the menu is displayed, pressing this button confirms the current item.
⑧	[Esc] button	Stops the current function. When the menu is displayed, pressing this button moves to the previous menu level.
⑨	[Snapshot] button [📷]	Captures still images.
⑩	[Record] button [🎥]	Starts and stops video recording with the included software.
⑪	[Zoom] button [🔍] [🔍]	Enlarges or reduces the image without changing the projection size.
⑫	[Brightness] button [☀️] [🌑]	Adjusts the image brightness.

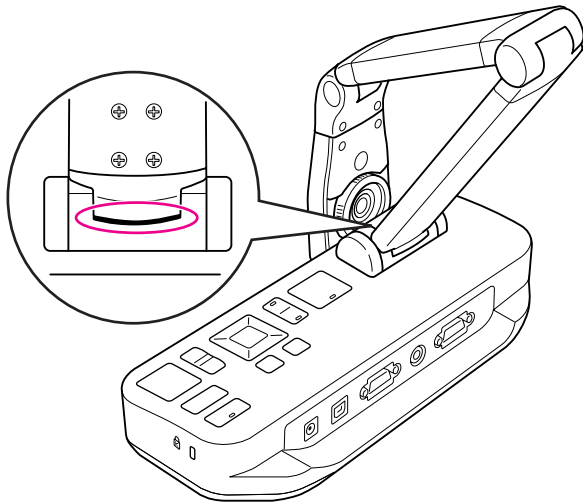
	Name	Function
13	[Source] button  	 Projects images from a computer.  Projects images from the document camera.
14	[A/V Mute] button	Turns the video and audio on or off when you are connecting the document camera when used with an Epson projector.
15	[Source Search] button	When used with an Epson projector, changes the input source connected to the projector.
16	Remote control light emitting area	Outputs remote control signals.

When you're not using the document camera, simply fold its arm down as shown. It cannot be folded flat.



Caution

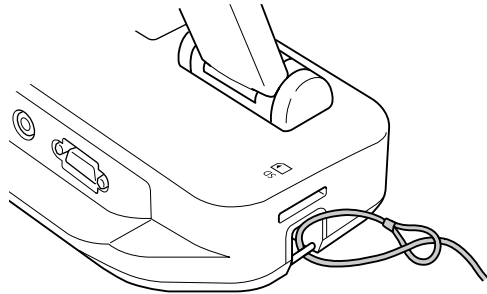
Do not try to press the arm flat or fold it backwards, or it may get damaged.



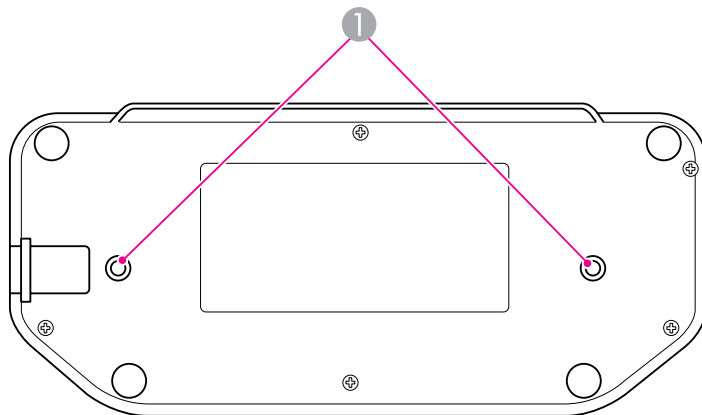
Attention

When you see the black line on the bottom of the camera arm, never fold it more. Or it may get damaged.

You can secure the document camera by fastening a cable to the security bar, shown below, or by inserting a Kensington anti-theft cable into the Kensington security port.



In addition, you can attach the document camera to a table, cart, or stand at the mounting points indicated below. Use M4-size bolts; you can thread them into document camera case to a maximum depth of 9 mm (0.35 inch).



1 Mounting points

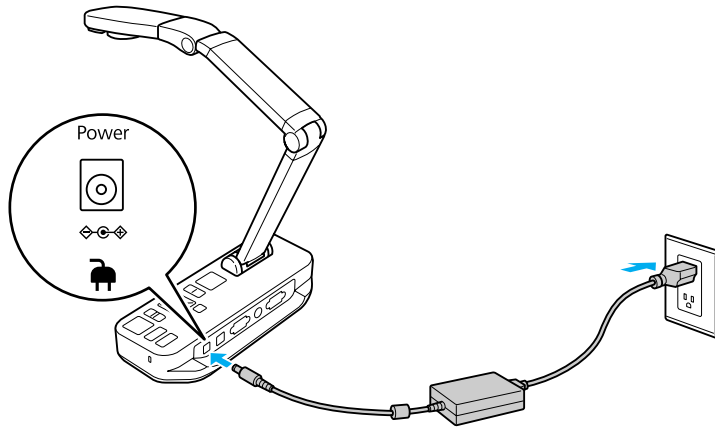
Attention

Fasten the bolts securely but do not overtighten them. Do not use adhesives.

Basic Setup and Use

Follow the instructions in this section to set up the document camera and give a presentation.

- 1** Connect the power adapter as shown. Plug the adapter into a wall outlet.




- 2** Press the [⏻] power button to turn on the document camera. It takes about 10 seconds for the document camera to output an image.
- 3** Turn on your projector.
- 4** Select the appropriate "source" on the projector (such as Computer or Video), depending on port to which you connected. Your projector may use different names for the sources.



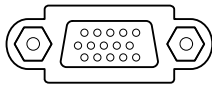
When you're done using the document camera, press the [⏻] power button twice to turn it off, disconnect any cables, and fold down the camera arm. 🖱️ [p.15](#)

You can connect the document camera to a projector using a standard VGA cable or composite video cable, or to other video equipment such as an external monitor.

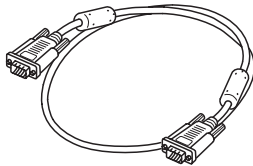
 You can also use the document camera with a computer. [p.20](#)

1 Choose the type of cable you will use, based on the type of port that's available on your projector or other video equipment:

VGA port
(computer monitor style)



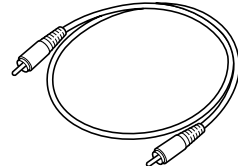
VGA cable (included)



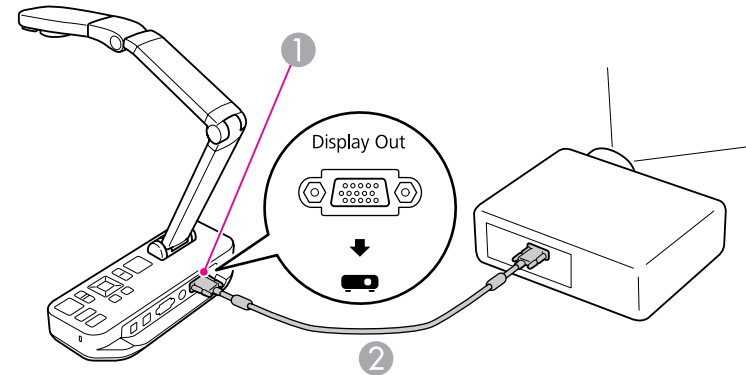
Composite video port
(yellow "RCA" style)



Composite video cable

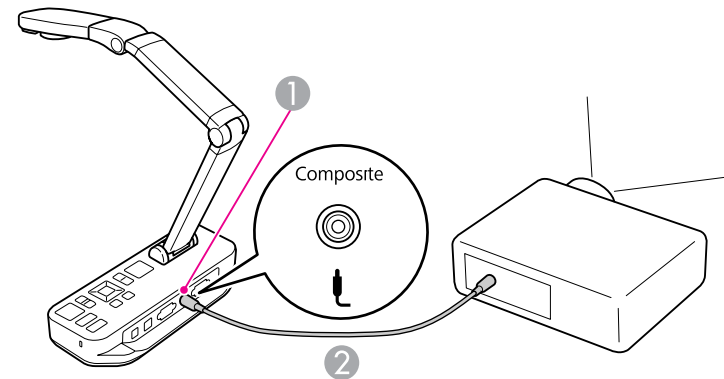


2 Connect the document camera in one of the ways shown below:
VGA connection



- 1 Display Out port
- 2 VGA cable

Composite video connection



- 1 Composite port
- 2 Composite video cable

When you connect the document camera to your computer, you can use the included software to capture, edit, and play back still images and videos.

☛ p.38

Connecting to a computer also lets you display PowerPoint slides or other applications. You can easily switch back to the live camera image at any time.

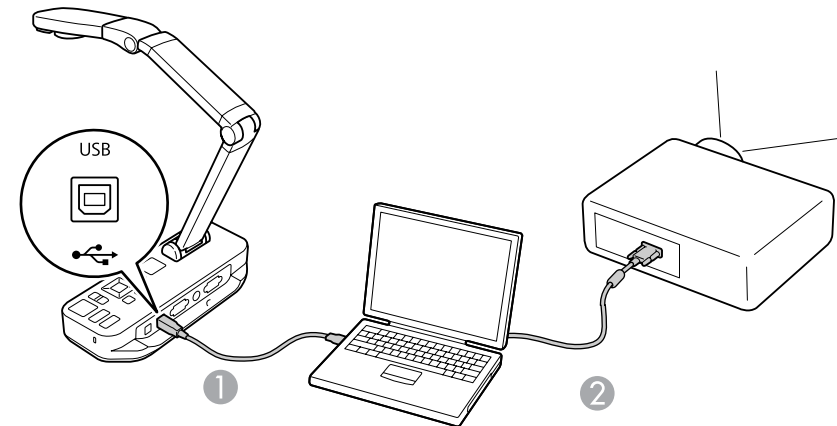
How you connect to your computer depends on the software you plan to use:

- To use the included software, see "[Connect to Use the Document Camera Software](#)" below.
- If you don't plan to use the software or it's not installed on your computer, see "[Connect Without Using the Document Camera Software](#)" p.21.

Connect to Use the Document Camera Software

This connection method lets you use the included software, as well as display PowerPoint slides or images from another application on your computer. Make sure you've already installed the software. ☛ p.39

- 1** Connect the document camera to your computer with a USB cable, as shown.



- 1** USB cable
- 2** VGA cable

- 2** Connect your computer to your projector using a VGA cable.



It's also possible to connect with composite video, but most computers lack this type of port.

- 3** Follow the instructions on [p.40](#) to use the document camera software.

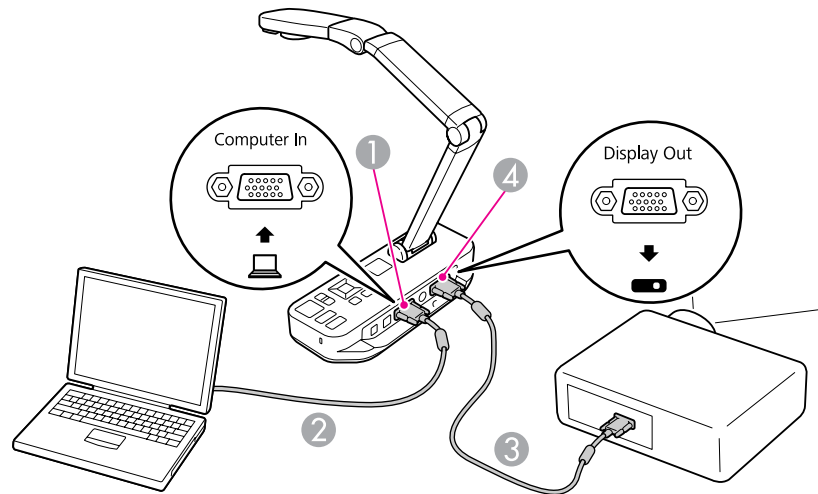


If an image doesn't appear on the screen, the document camera's **USB Mode** may be set to **Mass Storage**; see [p.50](#) to change the setting. If you connected a laptop, see [p.50](#) to check your laptop settings.

Connect Without Using the Document Camera Software

This connection method lets you display PowerPoint slides or images from another application on your computer, but you can't use the included software.

- 1 If you're using a desktop computer, disconnect the monitor from your computer.
- 2 Connect a VGA cable from your computer's monitor-out port to the document camera's **Computer In** port.



- 1 **Computer In** port
- 2 VGA cable
- 3 VGA cable
- 4 **Display Out** port

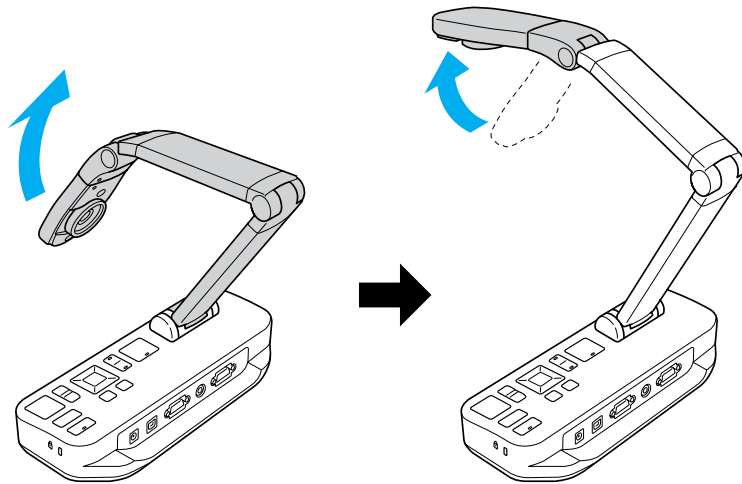
- 3 Connect a second VGA cable from the document camera's **Display Out** port to your projector.



You cannot use the **Composite** port to display your computer image in this configuration.

If you connected a laptop but the image doesn't appear on the screen, check your laptop settings. [p.50](#)

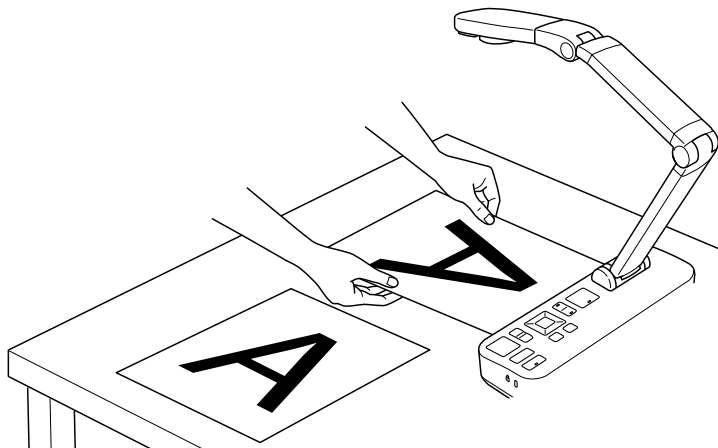
- 1 Raise the camera arm. Position the camera head above the display area.



- 2 Place your document on the table under the camera head.



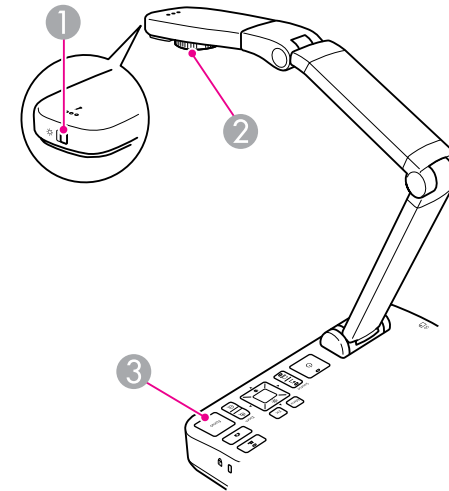
You can quickly align letter- or A4-size paper with the guides on the side of the document camera.



- 3 Slide the lamp switch to illuminate the document.



If necessary, you can adjust the brightness of the image using the [] or [] on the document camera or remote control.



- 1 Lamp switch
- 2 Image rotation dial
- 3 [Focus] button

- 4 Turn the dial on the camera head to rotate the image on the screen.



If desired, you can rotate an upside-down image by pressing the [Menu] button and selecting **Image > Image Rotation > 180 degrees**.

- 5 Press the [Focus] button on the document camera or the [Auto Focus] button on the remote control. Your document is automatically focused.



To sharpen hard-to-focus objects, press the [Menu] button and select **Image > Focus**. Use the [◀] and [▶] arrow buttons to adjust the focus.

- 6 To zoom in on part of the image, press the [Zoom] - [⊕] button on the document camera or remote control. Press the [Zoom] - [⊖] button to zoom out.

Freezing an Image

Press and release the [📷] button to freeze the image. (If you press and hold the button, it saves the image to internal memory. 📄 p.32)

After freezing the image, you can remove your document while leaving its image displayed on the screen. Place your next document under the camera lens and press the button again; your presentation continues without interruption.

Displaying Small Objects Up Close

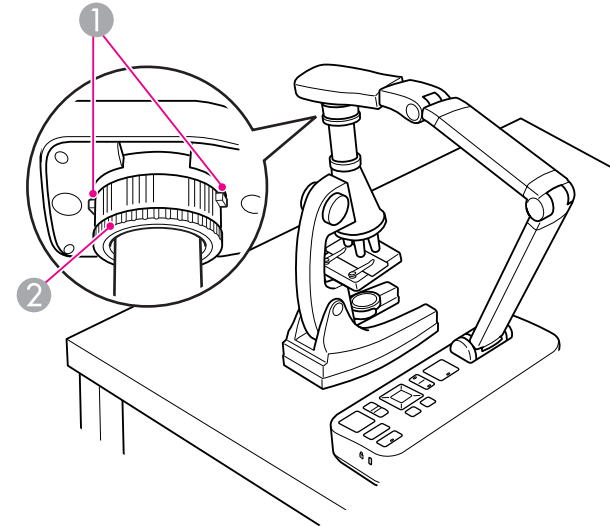
To display a small object, lower the camera arm. You can place the lens within approximately 10 cm (4 inches) of the object.

To further enlarge an object, press the [Zoom] - [⊕] button on the document camera or remote control. Press the [Zoom] - [⊖] button to zoom out.




You can zoom up to 10x digitally, with lossless magnification up to 2x.

To display objects as seen through a microscope, use the included microscope adapter.



- ① Buttons
- ② Adapter ring

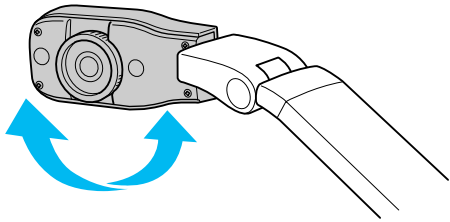
- 1 Attach the microscope adapter to the image rotation dial. Press the buttons and push the adapter in.
- 2 Place the camera head with the adapter directly over the microscope lens. Fit the adapter to the diameter of the eyepiece by pulling out the adapter ring. It extends up to about 5 mm (1/4 inch).
- 3 Press the [Menu] button and select **Image > Microscope > On**. This optimizes the brightness, contrast, and other image settings for use with a microscope.

You can use the document camera to display a lecture or presentation at the front of a room, or to capture images of a whiteboard or chalkboard. If the document camera is connected to a computer with a USB cable, you can make an audio/video recording of the live presentation.  [p.38](#)

Warning

Turn off the lamp when the camera is aimed at a person. Avoid looking directly into the lamp. The bright light could damage your eyes.

- 1** Rotate the camera head so it faces the front of the room.



- 2** Turn the dial on the camera head to orient the image on the screen.
- 3** Press the [Focus] button. The image is automatically focused.

If you've connected a computer (🖥️ p.20), you can show PowerPoint slides or images from any other application on your computer. You can easily switch back-and-forth between your computer application and the live camera image.

- If you've connected your computer with a USB cable (🖥️ p.20), you can use the document camera software to display captured images and videos, or use another application of your choice. To display the live camera image, make sure you've selected 📷 **Capture** mode in the document camera software. 🖥️ p.40
When you connect with USB cable, you cannot switch to computer image if you press the [🖥️] button.
- If you've connected your computer with a VGA cable (🖥️ p.21), use the document camera's [Source] buttons to switch between your computer and the live camera image:

To display your computer image (such as a PowerPoint presentation), press the [Source] - [🖥️] button on the document camera or remote control.

To switch back to the live camera image, press the [Source] - [📷] button.

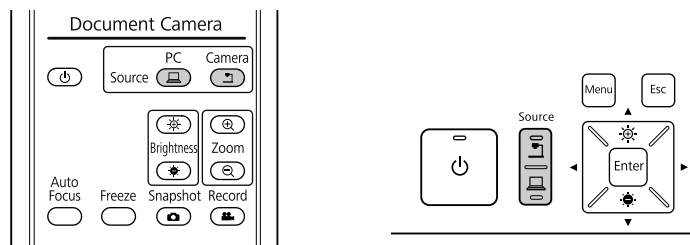
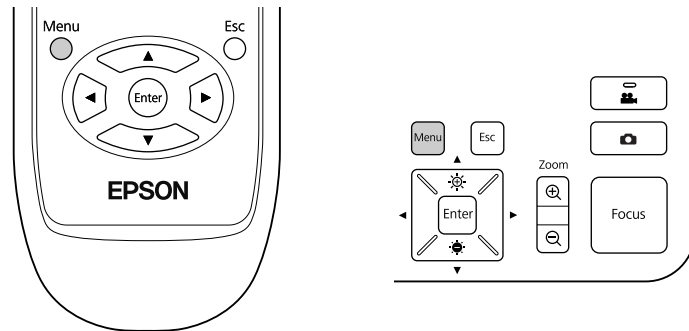


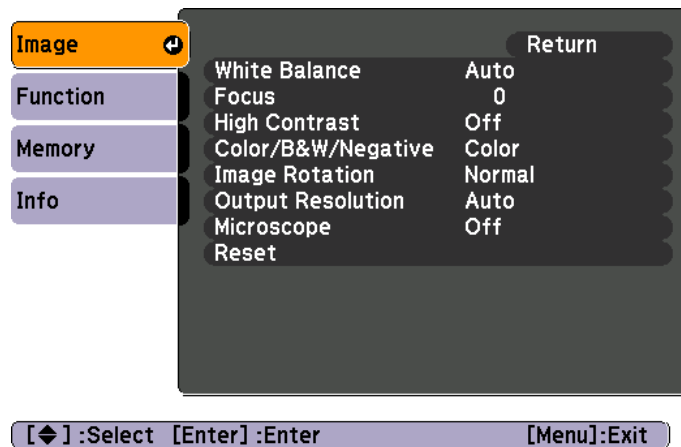
Image Adjustments and Effects

The document camera provides a full range of image adjustments and effects, including freeze image, split screen, black-and-white, and the ability to display negative film in true color.

Press the [Menu] button on the document camera or remote control to view the on-screen menu.



You see this screen:



Use the [▲] [▼] [◀] [▶] arrow buttons to navigate the menu and adjust the settings. Press [Enter] to select a setting. When you're done adjusting the settings, press the [Menu] or [Esc] button to close the menu and save your settings.

Making Image Adjustments

Basic image adjustments such as focus, zoom, and brightness are discussed in "Displaying a Document or Other Materials" [p.22](#). You can make these further adjustments by pressing the [Menu] button to open the **Image** menu:

- **White Balance**

Adjusts the image color based on the lighting in the room where you're presenting. Select from **Auto** (to adjust the image automatically), **Fluorescent** (to lessen blue tones), or **Incandescent** (to lessen yellow tones).

- **Focus**

Lets you manually adjust the focus if the auto-focus doesn't produce a sharp enough image.

- **High Contrast**

Select **On** to increase the visibility of a faint or low-contrast image.

- **Color/B&W/Negative**

Displays the image in color or black-and-white. To show a photographic negative in true color, select **Negative**.

- **Image Rotation**

Lets you rotate an upside-down image. You can also use the image rotation dial on the camera head. [p.22](#)

- **Output Resolution**

Lets you manually select **XGA**, **WXGA**, or **SXGA** when the projector's format cannot be automatically detected. Use if you see black bars on the screen or the image is stretched.

- **Microscope**

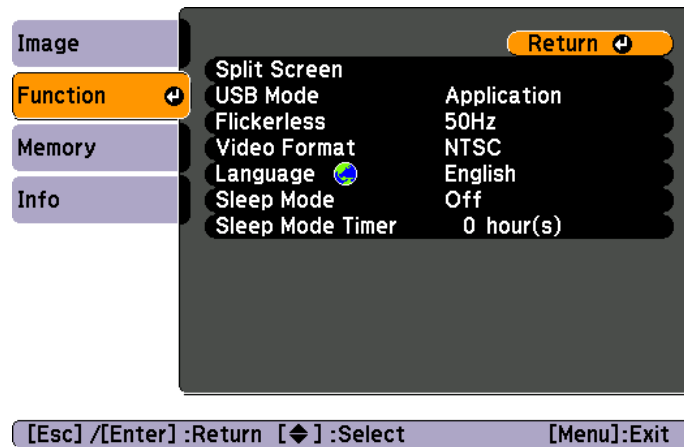
Optimizes the brightness, contrast, and other settings for use with a microscope. [p.23](#)

- **Reset**

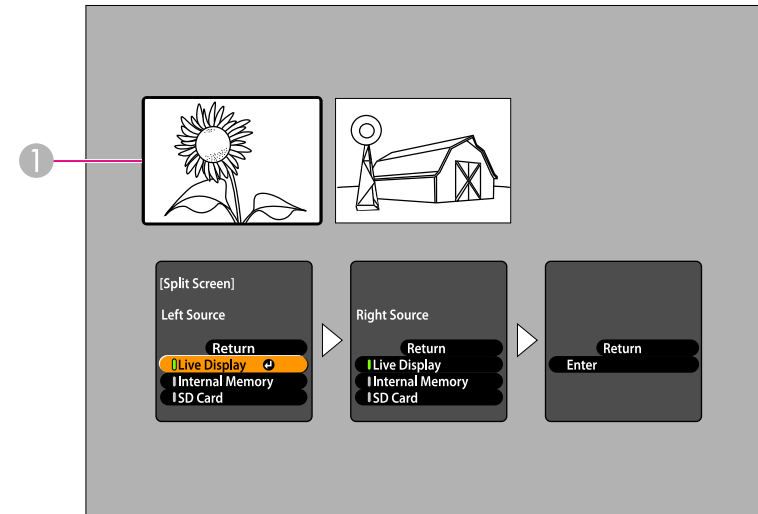
Lets you return the image settings to their standard (default) values.

If you have images saved in the document camera's internal memory or on an SD card (☛ p.31), you can display two images at the same time. For example, you can show the live camera image side-by-side with an image selected from internal memory.

1 Press the [Menu] button and select **Function > Split Screen**.



You see this setup screen, with the left image highlighted:



1 Highlighted image

2 Use the [▲] and [▼] arrow buttons to select the source for the highlighted image. You can select from these sources:

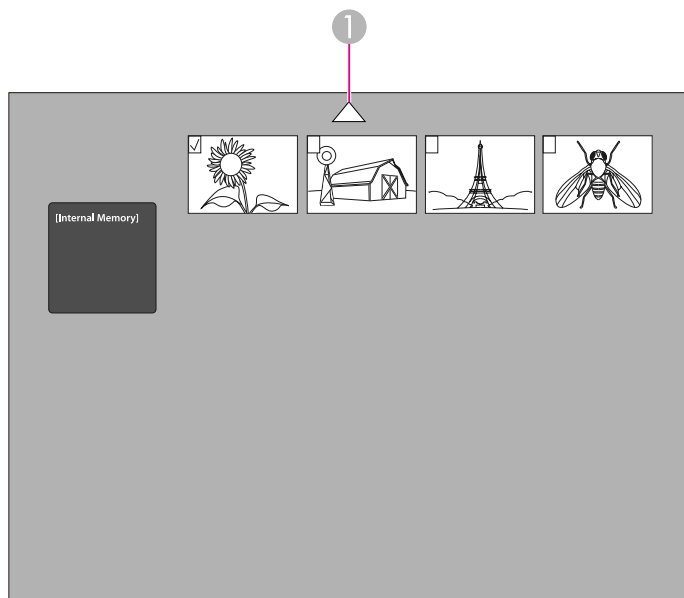
- **Live Display** to display the camera image
- **Internal Memory** to display an image stored in internal memory
- **SD Card** to display an image stored on an SD card, if one is inserted



Images on the SD card must be stored in the proper format to be readable. ☛ p.50

3 Press the [Enter] button to confirm the selection.

4 If you select **Internal Memory** or **SD Card** as the source, you see a screen that lets you select which image to use:



1 Highlight the arrow and press [Enter] to view more images

Use the [▲] [▼] [◀] [▶] arrow buttons to highlight the image you want to display, and press [Enter] to select it. (Press [Enter] again to deselect it.) A checkmark is added to the selected image. Select **Return** to finish setting up the split screen.

5 Press [▶] to highlight the right image.

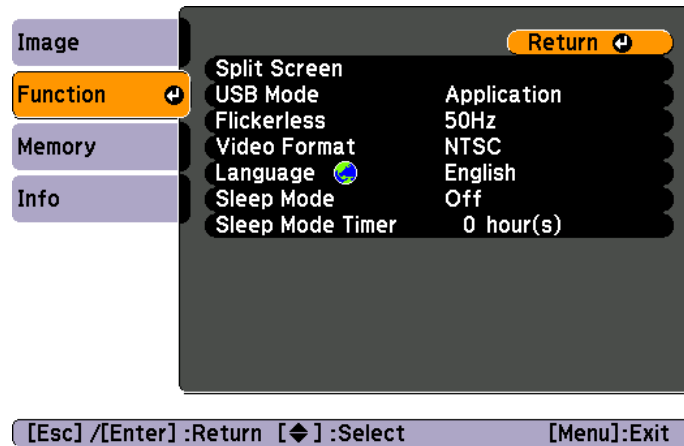
6 Repeat steps 2 through 4 to select the source for the right side.




You cannot display the live camera image on both sides of the screen.

7 Once you're done setting up both sides of the screen, press [▶] then press [Enter]. The selected images appear side-by-side on the screen.

8 To exit split screen mode, press [Menu] or [Esc].

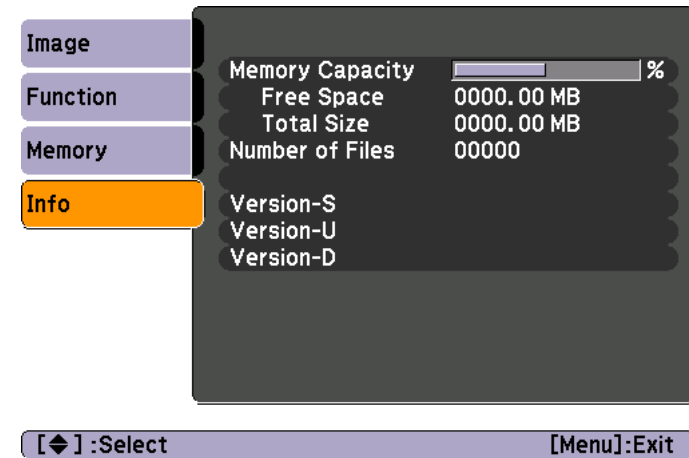


Press the [Menu] button and select the **Function** menu to change the following camera settings:

- USB Mode**
 Changes how the document camera functions when connected with a USB cable. To capture and display images using the document camera software, select **Application**. To view images in the document camera's internal memory or an inserted SD card from your computer, select **Mass Storage**.  p.35
- Flickerless**
 Eliminates flicker when giving presentations in regions with different electrical systems (using 50 or 60 Hz).
- Video Format**
 Select **NTSC** or **PAL**, depending on the video format used by your projector.
- Language**
 Changes the on-screen menu language.
- Sleep Mode/Sleep Mode Timer**
 By default, sleep mode turns the document camera off after 2 hours of inactivity. You can turn off sleep mode or change the length of time after which the camera turns off (from 1 to 6 hours).

In addition to these settings, you can also use the **Info** menu to check the amount of storage space left in the camera's internal memory. The **Info** menu also tells you the camera's firmware version.

Press the [Menu] button and select **Info**. You see this screen:




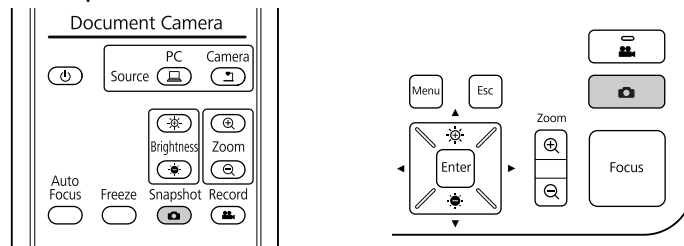
Saving Images and Displaying a Slideshow


You can display a slideshow of captured images. Images are stored in the document camera's internal memory. You can store up to about 4000 images (depending on their content), and then select just the ones you want to view. You can also export captured images to an SD memory card or view them from a connected computer.



You cannot store videos on the document camera. Follow the instructions on [p.38](#) to record videos.

- 1 Display the live camera image you want to save. Adjust any settings, as needed.
- 2 Press the  button to capture the image. Press and release when you use the remote control, press and hold when you use the control panel.



You see the  displayed in the upper right of the screen. The image is saved to the internal memory.



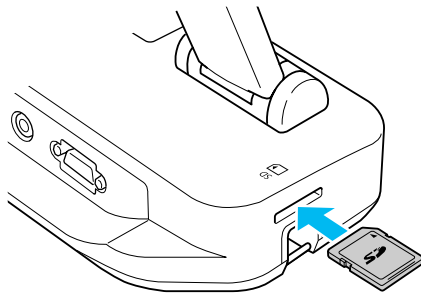
Using the control panel, if you press and release the button without holding it, the image is frozen on the screen instead of being saved in memory.

- 3 Repeat steps 1 and 2 for any additional images you want to save.

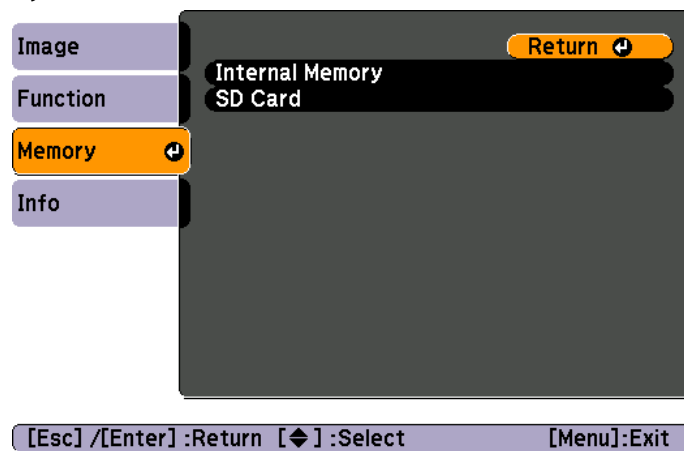
You can move captured images from the document camera's internal memory to an SD card. You can also use the images on the card to display a slideshow. [p.37](#)

When you insert the SD card, you can capture only to SD card.

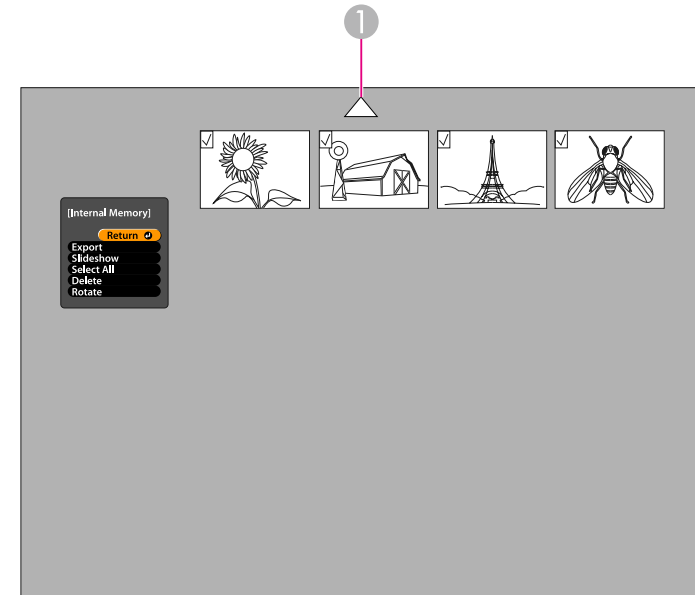
- 1 Insert your SD card face-up.



- 2 Press the [Menu] button and select **Memory** > **Internal Memory**.



You see this screen, showing the images stored in internal memory:



- 1 Highlight the arrow and press [Enter] to view more images

- 3 Use the [▲] [▼] [◀] [▶] arrow buttons to highlight each image you want to export, and press [Enter] to select it. (Press [Enter] again to deselect it.) A checkmark is added to each selected image.




To add checkmarks to all images, choose **Select All**. To remove all checkmarks, choose **Select All** again.

- 4 Select **Export** and press [Enter]. At the confirmation screen, press [Enter] again to copy the images to your SD card.
- 5 Once the images are copied, you see a screen showing the images stored on the card. Do one of the following:

- If you want to leave the SD card in the document camera, press [Menu] or [Esc] to close the SD Card screen.
- If you want to remove the SD card, press in on the card and then pull it straight out of the slot. The SD Card screen automatically closes.

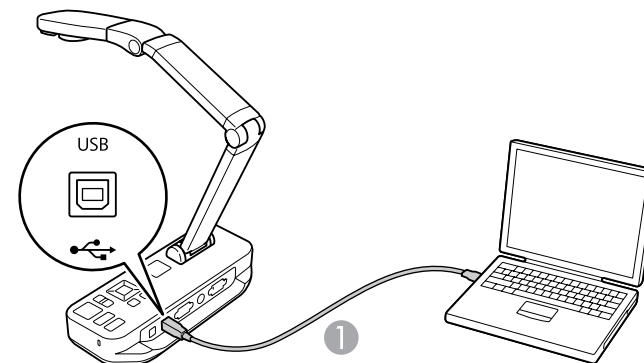
You can use your computer with a USB cable to access files stored in the camera's internal memory or on an inserted SD card. Before using the document camera like this, you have to change the function of its USB port as described below.

- 1** Connect the document camera to your projector with a VGA cable or composite video cable.  [p.19](#)
- 2** Turn on the document camera and projector.
- 3** Press the [Menu] button and select **Function > USB Mode**. Change the setting to **Mass Storage**.
- 4** Disconnect the projector from the document camera.

Caution

If you leave the projector connected, you may experience problems copying or moving the files.

- 5** Now connect the document camera to your computer with a USB cable.



1 USB cable


The document camera's internal memory appears as an external drive on your computer.



The document camera does not have a built-in clock. Therefore, when you view files from your computer, they won't show the actual time they were created.

- 6** Use your computer to view the files, or to copy, move, or delete them.



If you copy images from your computer to the document camera or SD card, they must be in the proper format to be readable.  [p.50](#)

- 7** When you're done, disconnect the computer.

Caution

Before disconnecting the USB cable, make sure your files have finished copying. Otherwise, they may be damaged.

- 8 Reconnect the projector.
- 9 Press the [Menu] button and select **Function > USB Mode**.
Change the setting back to **Application**.



If you don't change the setting back, you won't be able to see a live camera image when you use the document camera software. If you don't plan to use the software, you don't need to change the setting back.

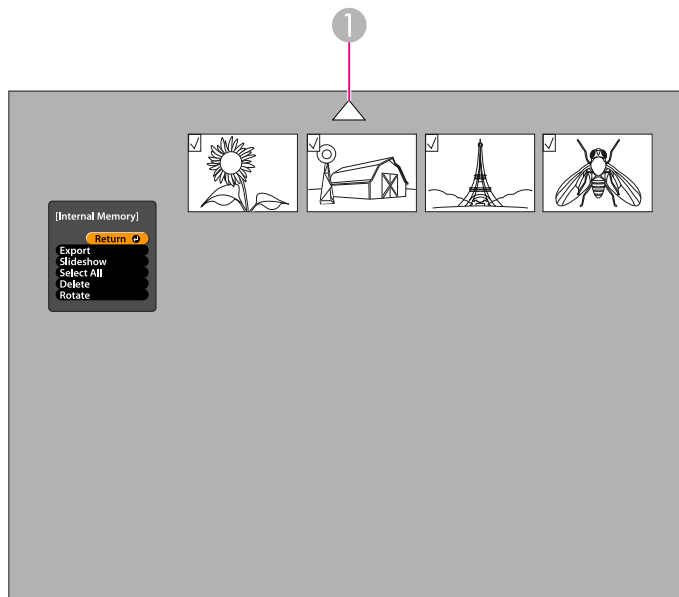
Once you have stored images in the document camera's internal memory or on an SD card, you can display a slideshow.



In addition to images captured with the document camera, you can display photos taken with a digital camera by inserting its SD card. You can also display images copied to the document camera or an SD card from your computer (see p.35), but they must be in the proper format. see p.50

- 1 Press the [Menu] button and select **Memory**.
- 2 Select **Internal Memory** (to view images in internal memory) or **SD Card** (to view images on your SD card, if inserted).

You see a screen like this:



- 1 Highlight the arrow and press [Enter] to view more images

- 3 To rotate an image, use the [▲] [▼] [◀] [▶] arrow buttons to highlight it and press [Enter] to select it. (Press [Enter] again to deselect it.) A checkmark is added to the image. In the same way, select any additional images you want to rotate.

Select **Rotate**. All checkmarked images are rotated 90 degrees clockwise.



Image quality may decrease slightly after rotating an image. Also, if your photo is time-stamped, the date will be changed to a default value.

- 4 Use the [▲] [▼] [◀] [▶] arrow buttons to highlight each image to be displayed in the slideshow, and press [Enter] to select it. (Press [Enter] again to deselect it.) A checkmark is added to the selected images.



To add checkmarks to all images, choose **Select All**. To remove all checkmarks, choose **Select All** again.

- 5 Select **Slideshow** to display the first image in the slideshow.

- 6 Press [▶] to advance to the next image.
Press [◀] to return to the previous image.

- 7 End the slideshow by pressing [▶] while the last image is displayed. Or press [Menu] or [Esc] to end the slideshow at any time.

Using the Included Software

The included software lets you use the document camera to capture still images, make time-lapse movies, record live videos with audio, and edit and play back captured files. The software also lets you annotate images from the document camera with text and graphics, and upload your videos to popular websites.

Before starting, follow the instructions in this section to install the software.



For detailed help when using the software, do one of the following:
Windows: Press **F1** or select **Application Help** from the **Extras** menu.
Macintosh: Select **Help** from the menu bar.

You can install the software on a Windows or Macintosh computer. See [p.62](#) for system requirements.

- 1** Insert the CD labeled "**ArcSoft Application Software for Epson Document Camera**".
- 2** When you see the license agreement, click **Yes**.
- 3** Follow the instructions on the screen to install all the software.



When you see a screen asking if you want to install the **Button Manager**, be sure to allow the software to install.

Macintosh

- 1** Open the **Applications** folder.
- 2** Drag the **ArcSoft Application Software for Epson Document Camera** to the Trash.

Uninstalling the Software

Follow these steps if you need to uninstall the software.

Windows

- 1** Windows 7/Windows Vista: Select **Control Panel > Programs and Features**. In Classic View, select **Programs > Uninstall a program** instead.
Windows XP: Select **Control Panel > Add or Remove Programs**.
- 2** Select **ArcSoft Application Software for Epson Document Camera**.
- 3** Windows 7/Windows Vista: Click **Uninstall/Change**.
Windows XP: Click **Change/Remove**.

1 Connect the document camera to a computer with a USB cable.
👉 p.20

2 Start the software:

- Windows: From **Programs** or **All Programs**, select **ArcSoft Application Software for Epson Document Camera**. When the software does not start, install the **Windows Media Player**.
- Macintosh: Open the **Applications** folder, then double-click **ArcSoft Application Software for Epson Document Camera**.
You see the screen shown below.



If you see a message that the document camera is not found, make sure it is connected and turned on. Then click the **Connect** button in the upper-right corner of the screen.

3 **Capture** buttons (still image, burst, time lapse, and video)

4 **Live Annotation** button

5 Preview area (live camera image)

6 **Connect** button




1 Main modes (capture, edit, and file management)

2 Capture album (previously captured images)

You can annotate live images from the document camera with text and graphics while giving a presentation. When you capture an image, your annotations will be included with the image; if you record your presentation as a video, the recording will show your annotations as they're being added.

 You can also annotate still images after they've been captured using the Edit screen. [p.45](#)

- 1** If necessary, click the  **Capture** button to enter Capture mode. Your live camera image appears in the preview area.
- 2** Click the **Live Annotation** button.



- 3** Select a drawing tool, such as **Pen**, **Line**, or **Text**.
- 4** Change the properties of the selected tool.

- 5** Use the selected tool to add text and graphics.
- 6** To clear an annotation, use the **Eraser** tool or click the **Undo** button to clear the last change you made. To clear all annotations, select the **Eraser** tool and then click the **Clear all** button that appears above the preview area.

To save an annotated image, click the **Take Picture** button at the bottom of the screen. [p.42](#)
 To record a video that shows annotations as they're being made, see [p.44](#).

You can capture a still image or a quick series of images (called a burst).

1 If necessary, select the settings you want to use. Click the **Settings** button and select the **Image** tab.

- Select the default image format, quality level, and other properties.
- Choose the number of photos, up to 10, that will be captured with each burst (5 is the default).

2 To capture a still image, click the **Take Picture** button.

3 To capture a quick series of images, click the **Burst** button.



Your captured image(s) appear in the Capture album on the left side of the screen. To display a captured image through your projector, double-click the image or right-click it and select **Preview**.

You can record a time-lapse movie to show gradual changes that occur over several hours.

- 1 Click the **Settings** button and select the **Time Lapse** tab.
 - Set the time interval between each frame (5 seconds minimum).
 - Set the total capture duration (up to 72 hours).Click **OK** to close the Settings screen.
- 2 Click the **Start Time Lapse** button to begin capturing images.



When the process is done, the time-lapse movie or image appears as an icon in the Capture album on the left side of the screen. To display the movie through your projector, double-click the icon or right-click it and select **Preview**.

You can make an audio/video recording of your presentation. Set the resolution under SXGA.

1 If necessary, select the settings you want to use. Click the **Settings** button and select the **Video** tab.

- Select the default video format, quality level, and other properties.
- Set the maximum duration of each video (up to 8 hours) and see how much hard disk space it will use.

2 To capture sound, click the **Settings** button, select the **Audio** tab, and select **ELPDC11** from **Audio Device**.

3 Click the **Record Video** button to start recording. Click **Record Video** again to stop.

You can also use the [📹] button on the control panel to start and stop recording.




Your movie appears as an icon in the Capture album on the left side of the screen. To display the movie through your projector, double-click the icon or right-click it and select **Preview**.

When you connect with the computer, you cannot use two document cameras at the same time. In case you connect two document cameras, unplug all the cables and reconnect them. Never unplug the USB cable while you are recording.

Compatible File Format

Type	Extension
Still images	.jpg/.bmp
Videos	.wmv/.avi/.mpg/.mov

You can use the Edit screen to improve the quality (such as brightness and contrast) of captured pictures and videos. With still images, you can zoom in on part of the image, rotate the image, or flip it to create a mirror image. You can also annotate still images. While viewing a video, you can pause it and capture a still image from the current frame.

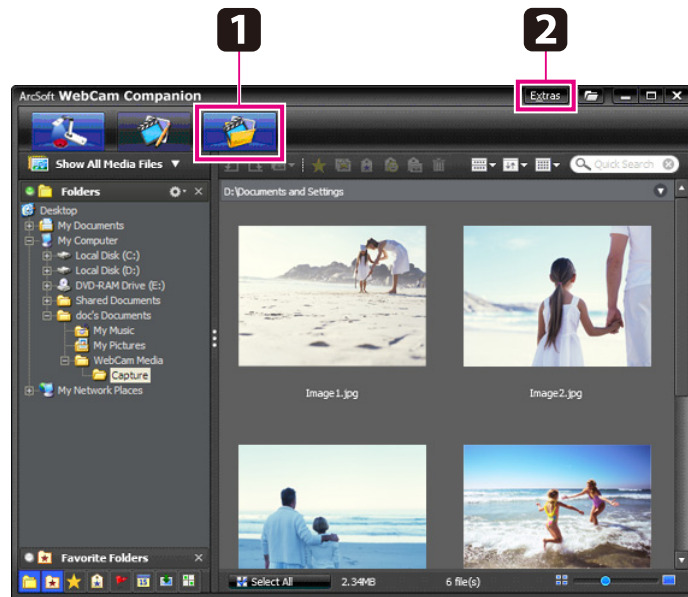
- 1 Click the  **Edit** button to enter Edit mode.



- 2 For detailed help when using the software, do one of the following:
Windows: Press **F1** or select **Application Help** from the **Extras** menu.
Macintosh: Select **Help** from the menu bar.

You can use the File Management screen to sort and locate captured images and videos. By rating them and applying "tags" or descriptive text, you can make it easier to find them later on.

- 1 Click the  **File Management** button to enter **File Management** mode.



- 2 For detailed help when using the software, do one of the following:
Windows: Press **F1** or select **Application Help** from the **Extras** menu.
Macintosh: Select **Help** from the menu bar.

You can easily upload your videos to popular video-sharing websites, such as YouTube and SchoolTube.



This feature is not available for Apple Macintosh systems.

- 1 Click the  **Edit** button.



- 2 Select a video.
- 3 Select a website.
- 4 Follow the instructions on the screen to log in, provide a title for your video and other descriptive information, and upload the file.

Solving Problems

Operation Problems

No image appears on the screen

- After you press the [⏻] Power button, wait a few moments for the image to appear. It takes about 10 seconds for the document camera to output an image.
- Make sure your projector is connected. 🖱️ [p.19](#)
If you're connecting it through a computer, see [p.20](#).
- If you've connected a laptop, see "Problems Connecting a Laptop" [p.50](#).
- The document camera may be set to display an image from your computer. Press the [Source] - [🖥️] button on the document camera or remote control to display the live camera image.
- Select the correct source on your projector. The source refers to the port on the projector to which you've connected the video cable. If you're using a VGA cable, the source may be called something like "Computer" or "PC".
- Make sure your projector is turned on and not in sleep mode. Make sure its picture has not been "muted" or turned off.
- If you made a USB connection, the document camera's **USB Mode** setting may be set to **Mass Storage**. 🖱️ [p.30](#)
You need to change this setting to **Application**. First disconnect the USB cable, then reconnect to the projector using a VGA or composite video cable. Press the [Menu] button and select **Function** > **USB Mode**, then change the setting to **Application**. Now you can use the USB cable to display the image.

Image Quality Problems

The image is fuzzy or out of focus

- The document camera needs hard edges or sharp lines in the image to be able to focus properly. If the image has only soft edges, try placing a different document under the camera lens while adjusting the focus. Or focus the image manually with the **Focus** adjustment in the **Image** menu. 🖱️ [p.27](#)
- Make sure the lens is at least 10 cm (4 inches) away from the object you're viewing.
- If you're using a projector to display the image, check its focus.

The image brightness or color isn't correct

- To illuminate your document, slide the lamp switch on the side of the camera head.
- Press the [-☀️] or [☀️+] button to increase or decrease image brightness.
- Set the **White Balance** setting to **Auto** to adjust the color automatically. 🖱️ [p.27](#)
If the color is still not correct, choose the setting for the type of lighting you're presenting under (**Fluorescent** or **Incandescent**).
- If the document camera was used with a microscope, be sure to turn the **Microscope** setting off when you return to displaying ordinary documents. 🖱️ [p.27](#)

Other image problems

- If the image is stretched or has black bars, you may need to change the **Output Resolution**. 🖱️ [p.27](#)



If you think some settings may have been changed, you can use the **Reset** option to return all the image settings back to their standard values. 🖱️ [p.27](#)

Problems Using an SD Card

Certain images don't appear

If you use your computer to copy images to the document camera's internal memory or an SD card, you need to make sure their format is correct:

- Images must be DCF-compliant JPEG files to be displayed, such as from a digital camera. Avoid editing your images, as this may change their format and prevent them from being displayed.
- Images must be named using the format ABCD1234.JPG, where ABCD is any combination of upper- or lowercase letters and 1234 is any combination of numbers. For example: Pict0001, Pict0002, etc.
- Images must be placed in a folder named DCIM\123ABCDE, where 123 is any combination of numbers and ABCDE is any combination of upper- or lowercase letters. If this folder structure doesn't exist, first create a folder named DCIM, then create a folder within it with the desired name (for example, 100EPSON).


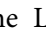
Image files don't have the correct time stamp

The document camera does not have a built-in clock. Therefore, when you view captured image files from your computer, they won't show the actual time they were created.

Problems Connecting a Laptop

If you've connected a laptop computer (👁️ p.20) but the image doesn't appear on the screen, check the following:

• If you're using a Windows notebook:

Hold down the **Fn** key and press the function key (such as  or **CRT/LCD**) that lets you display on an external monitor. On most systems, the  or **CRT/LCD** key lets you toggle between the LCD screen and the projector, or display on both at the same time. Check your monitor settings to make sure both the LCD screen and the external monitor port are enabled. From the **Control Panel**, open the **Display** utility. Click the **Settings** tab, then click **Advanced**. The method for adjusting the settings varies by brand; you may need to click a **Monitor** tab, then make sure the external monitor port is set as your primary display and/or enabled. See your computer's documentation or online help for details.

• If you're using an Apple Macintosh notebook with OS X:

From the **Apple** menu, select **System Preferences**, then click **Display** or **Displays**. Select **VGA Display** or **Color LCD**, click **Arrangement** or **Arrange**, and make sure **Mirror Displays** is checked.

Problems Using the Document Camera Software

The buttons on the document camera don't work with the software

When you installed the software, the **Button Manager** wasn't installed. Reinstall all the software, being sure to allow the **Button Manager** to install.

You don't see the live camera image on your computer

The document camera's **USB Mode** setting may be set to **Mass Storage**. You need to change this setting to **Application**. First disconnect the USB cable, then reconnect to the projector using a VGA or composite video cable. Press the [Menu] button and select **Function** > **USB Mode**, then change the setting to **Application**. Now you can use the USB cable to display the image.

Addresses and phone numbers are subject to change. For the most current information, check the website of your regional sales office listed below. If you don't find one in your area, visit Epson's main website at www.epson.com.

Europe

ALBANIA

ITD Sh.p.k.

Gjergji Center, Rr Murat
Toptani Tirana
04000 Tirana - Albania
Tel: 00355 4 2234025
Fax: 00355 4 2232990
Web Address:
http://content.epson.it/about/int_services.htm

AUSTRIA

EPSON DEUTSCHLAND GmbH

Buopark Donau Inkustrasse 1-
7 / Stg. 6 / 2. OG
A-3400 Klosterneuburg
Tel: +43 (0) 2243 - 40 181 - 0
Fax: +43 (0) 2243 - 40 181 - 30
Web Address:
<http://www.epson.at>

BELGIUM

EPSON Europe B.V. Branch office Belgium

Belgicastraat 4 - Keiberg
B-1930 Zaventem
Tel: +32 2/ 7 12 30 10
Fax: +32 2/ 7 12 30 20
Hotline: 070 350120
Web Address:
<http://www.epson.be>

BOSNIA AND HERZEGOVINA

KIMTEC d.o.o.

Poslovni Centar 96-2
72250 Vitez
Tel: 00387 33 639 887
Fax: 00387 33 755 995
Web Address:
http://content.epson.it/about/int_services.htm

BULGARIA

EPSON Service Center, Bulgaria

c/o ProSoft Central Service
Akad. G. Bonchev SRT. bl.6
1113 Sofia
Tel: 00359 2 979 30 75
Fax: 00359 2 971 31 79
Email: info@prosoft.bg
Web Address:
<http://www.prosoft.bg>

CROATIA

RECRO d.d.

Avenija V. Holjevca 40
10 000 Zagreb
Tel: 00385 1 3650774
Fax: 00385 1 3650798
Web Address:
http://content.epson.it/about/int_services.htm

CYPRUS

MECHATRONIC LTD

88 Digenis Akritas Avenue
"Loizides Centre 2" - 2nd Floor
CY-1061 Nicosia
Tel: 00357 22582258
Fax: 00357 22582222
Web Address:
http://content.epson.it/about/int_services.htm

CZECH REPUBLIC

EPSON EUROPE B.V. Branch Office Czech Republic

Slavickova 1a 63800 Brno
E-mail: infoline@epson.cz
Web Address:
<http://www.epson.cz>
Hotline: 800 142 052

DENMARK

EPSON Denmark

Generatorvej 8 C 2730 Herlev
Tel: 44508585
Fax: 44508586
Email: denmark@epson.co.uk
Web Address:
<http://www.epson.dk>
Hotline: 70279273

ESTONIA

EPSON Service Center, Estonia

c/o Kulbert Ltd. Sirge 4, 10618
Tallinn
Tel: 00372 671 8160
Fax: 00372 671 8161
Web Address:
<http://www.epson.ee>

FINLAND

Epson Finland

Rajatorpantie 41 C FI-01640
Vantaa
Web Address:
<http://www.epson.fi>
Hotline: 0201 552090

FRANCE and DOM-TOM TERRITORIES

EPSON France S.A.

150 rue Victor Hugo BP 320
92305 LEVALLOIS PERRET
CEDEX
Web Address:
<http://www.epson.fr>
Hotline: 0821017017

GERMANY

EPSON Deutschland GmbH

Otto-Hahn-Strasse 4 D-40670
Meerbusch
Tel: +49-(0)2159-538 0
Fax: +49-(0)2159-538 3000
Web Address: <http://www.epson.de>
Hotline: 01805 2341 10

GREECE

EPSON Italia s.p.a.

274 Kifisias Avenue -15232
Halandri Greece
Tel: +30 210 6244314
Fax: +30 210 68 28 615
Email:
epson@information-center.gr
Web Address:
http://content.epson.it/about/int_services.htm

HUNGARY

EPSON EUROPE B.V. Branch Office Hungary

Infopark setany 1.
H-1117 Budapest
Hotline: 06 800 14 783
E-mail: infoline@epson.hu
Web Address: www.epson.hu

IRELAND

Epson (UK) Ltd.

Campus 100, Maylands Avenue
Hemel Hempstead Herts HP2 7TJ
U.K.Techn.
Web Address: <http://www.epson.ie>
Hotline: 01 679 9015

ITALY

EPSON Italia s.p.a.

Via M. Vigano de Vizzi, 93/95
20092 Cinisello Balsamo (MI)
Tel: +39 06. 660321
Fax: +39 06. 6123622
Web Address: <http://www.epson.it>
Hotline: 02 26830058

KAZAKHSTAN

EPSON Kazakhstan Rep Office

Gogolya street, 39, Office 707
050002, Almaty, Kazakhstan
Phone +3272 (727) 259 01 44
Fax +3272 (727) 259 01 45
Web Address: <http://www.epson.ru>

LATVIA

EPSON Service Center, Latvia

c/o ServiceNet LV
Jelgavas 36
1004 Riga
Tel.: 00 371 746 0399
Fax: 00 371 746 0299
Web Address: www.epson.lv

LITHUANIA

EPSON Service Center, Lithuania

c/o ServiceNet
Gaiziunu 3
50128 Kaunas
Tel.: 00 370 37 400 160
Fax: 00 370 37 400 161
Web Address: www.epson.lt

LUXEMBURG

EPSON Europe B.V. Branch office Belgium

Belgicastraat 4-Keiberg
B-1930 Zaventem
Tel: +32 2/ 7 12 30 10
Fax: +32 2/ 7 12 30 20
Hotline: 0900 43010
Web Address: <http://www.epson.be>

MACEDONIA **DIGIT COMPUTER ENGINEERING**

Bul. Partizanski Odredi 62 Vlez
II mezanin
1000 Skopje
Tel: 00389 2 3093393
Fax: 00389 2 3093393
Web Address:
http://content.epson.it/about/int_services.htm

NETHERLANDS **EPSON Europe B.V.** **Benelux sales office**

Entrada 701
NL-1096 EJ Amsterdam
The Netherlands
Tel: +31 20 592 65 55
Fax: +31 20 592 65 66
Hotline: 0900 5050808
Web Address: <http://www.epson.nl>

NORWAY **EPSON NORWAY**

Lilleakerveien 4 oppgang 1A
N-0283 Oslo NORWAY
Hotline: 815 35 180
Web Address: <http://www.epson.no>

POLAND **EPSON EUROPE B.V.** **Branch Office Poland**

ul. Bokszerska 66
02-690 Warszawa
Poland
Hotline: (0) 801-646453
Web Address: <http://www.epson.pl>

PORTUGAL **EPSON Portugal**

R. Gregório Lopes, n° 1514
Restelo 1400-195 Lisboa
Tel: 213035400
Fax: 213035490
Hotline: 707 222 000
Web Address: <http://www.epson.pt>

ROMANIA **EPSON EUROPE B.V.** **Branch Office Romania**

Strada Ion Urdareanu nr. 34
Sector 5, 050688 Bucuresti
Tel: 00 40 21 4025024
Fax: 00 40 21 4025020
Web Address: <http://www.epson.ro>

RUSSIA **EPSON CIS**

Schepkina street, 42, Bldg 2A,
2nd floor
129110, Moscow, Russia
Phone +7 (495) 777-03-55
Fax +7 (495) 777-03-57
Web Address: <http://www.epson.ru>

SERBIA AND MONTENEGRO **BS PROCESSOR d.o.o.**

Hazdi Nikole Zivkovic 2
Beograd - 11000 - F.R. Jugoslavia
Tel: 00 381 11 328 44 88
Fax: 00 381 11 328 18 70
Web Address:
http://content.epson.it/about/int_services.htm

SLOVAKIA

EPSON EUROPE B.V. Branch Office Czech Republic

Slavickova 1a 638 00 Brno
Hotline: 0850 111 429 (national costs)
Email: infoline@epson.sk
Web Address: <http://www.epson.sk>

SLOVENIA

BIROTEHNA d.o.o

Litijska Cesta 259
1261 Ljubljana - Dobrunje
Tel: 00 386 1 5853 410
Fax: 00386 1 5400130
Web Address:
http://content.epson.it/about/int_services.htm

SPAIN

EPSON Ibérica, S.A.

Av. de Roma, 18-26
08290 Cerdanyola del Vallés
Barcelona
Tel: 93 582 15 00
Fax: 93 582 15 55
Hotline: 902 28 27 26
Web Address: <http://www.epson.es>

SWEDEN

Epson Sweden

Box 329 192 30 Sollentuna
Sweden
Tel: 0771-400134
Web Address:
<http://www.epson.se>

SWITZERLAND

EPSON DEUTSCHLAND GmbH Branch office Switzerland

Riedmuehlestrasse 8 CH-8305 Dietlikon
Tel: +41 (0) 43 255 70 20
Fax: +41 (0) 43 255 70 21
Hotline: 0848448820
Web Address: <http://www.epson.ch>

TURKEY

TECPRO

Sti. Telsizler mah. Zincirlidere
cad.
No: 10 Kat 1/2 Kagithane 34410
Istanbul
Tel: 0090 212 2684000
Fax: 0090212 2684001
Info: bilgi@epsonerisim.com
Web Address: <http://www.epson.com.tr>

UKRAINE

EPSON Kiev Rep Office

Pimonenko street, 13, Bldg 6A,
Office 15
04050, Kiev, Ukraine
Phone +38 (044) 492 9705
Fax +38 (044) 492 9706
Web Address: <http://www.epson.ru>

UNITED KINGDOM

Epson (UK) Ltd.

Campus 100, Maylands Avenue
Hemel Hempstead Herts HP2 7TJ
Tel: (01442) 261144
Fax: (01442) 227227
Hotline: 08704437766
Web Address:
<http://www.epson.co.uk>

P.O. Box: 17383 Jebel Ali Free
Zone Dubai
UAE (United Arab Emirates)
Tel: +971 4 88 72 1 72
Fax: +971 4 88 18 9 45
Email: supportme@epson.co.uk
Web Address:
http://www.epson.co.uk/welcome/welcome_africa.htm

Africa

Contact your dealer
Web Address:
http://www.epson.co.uk/welcome/welcome_africa.htm
or
<http://www.epson.fr/bienvenu.htm>

SOUTH AFRICA

Epson South Africa

Grnd. Flr. Durham Hse, Block 6
Fourways Office Park
Cnr. Fourways Blvd. & Roos Str.
Fourways, Gauteng, South Africa.
Tel: +27 11 201 7741
/ 0860 337766
Fax: +27 11 465 1542
Email: support@epson.co.za
Web Address:
<http://www.epson.co.za>

Middle East

Epson (Middle East)

North and Central America

CANADA

Epson Canada, Ltd.

3771 Victoria Park Avenue
Scarborough, Ontario
CANADA M1W 3Z5
Tel: 905-709-9475
or 905-709-3839
Web Address:
<http://www.epson.ca>

COSTA RICA

EPSON Costa Rica

De la Embajada Americana,
200 Sur y 200 Oeste
Apartado Postal 1361-1200 Pavas
San Jose, Costa Rica
Tel: (506) 2210-9555
Web Address:
<http://www.epson.co.cr>

MEXICO

EPSON Mexico, S.A. de C.V.

Boulevard Manuel Avila
Camacho 389
Edificio 1, Conjunto Legaria
Col Irrigación, C.P. 11500
México, DF
Tel: (52 55) 1323-2052
Web Address:
<http://www.epson.com.mx>

UNITED STATES

Epson America, Inc.

3840 Kilroy Airport Way
Long Beach, CA 90806
Tel: 562-276-4394
Web Address:
<http://www.epson.com>

South America

ARGENTINA

EPSON Argentina SRL.

Ave. Belgrano 964
1092, Buenos Aires, Argentina
Tel: (54 11) 5167-0300
Web Address:
<http://www.epson.com.ar>

BRAZIL

EPSON Do Brasil

Av. Tucunaré, 720
Tamboré Barueri,
Sao Paulo, SP Brazil 0646-0020,
Tel: (55 11) 3956-6868
Web Address:
<http://www.epson.com.br>

CHILE

EPSON Chile S.A.

La Concepción 322 Piso 3
Providencia, Santiago, Chile
Tel: (562) 230-9500
Web Address:
<http://www.epson.cl>

COLOMBIA

EPSON Colombia LTD.

Calle 100 No 21-64 Piso 7
Bogota, Colombia
Tel: (57 1) 523-5000
Web Address:
<http://www.epson.com.co>

PERU

EPSON Peru S.A.

Av. Canaval y Moreyra 590
San Isidro, Lima, 27, Perú
Tel: (51 1) 418 0210
Web Address:
<http://www.epson.com.pe>

VENEZUELA

EPSON Venezuela S.A.

Calle 4 con Calle 11-1
Edf. Epson La Urbina Sur
Caracas, Venezuela
Tel: (58 212) 240-1111
Web Address:
<http://www.epson.com.ve>

Asia and Oceania

AUSTRALIA

EPSON AUSTRALIA PTY LIMITED

3, Talavera Road, N.Ryde NSW
2113, AUSTRALIA
Tel: 1300 361 054
Web Address:
<http://www.epson.com.au>

CHINA

EPSON (CHINA) CO., LTD.

7F, Jinbao Building,
No.89 Jinbao Street,
Dongcheng District,
Beijing, China
Zip code: 100005
Tel: (86-10) 85221199
FAX: (86-10) 85221123
Hotline: 400-810-9977
Web Address:
<http://www.epson.com.cn>

HONG KONG

Epson Service Centre, Hong Kong

Unit 517, Trade Square,
681 Cheung Sha Wan Road,
Cheung Sha Wan, Kowloon,
HONG KONG
Support Hotline: (852) 2827 8911
Fax: (852) 2827 4383
Web Address:
<http://www.epson.com.hk>

INDIA

EPSON INDIA PVT. LTD.

12th Floor, The Millenia, Tower A, No. 1
Murphy Road, Ulsoor, Bangalore 560 008
India
Tel: 1800 425 0011
Web Address:
<http://www.epson.co.in>

INDONESIA

PT. EPSON INDONESIA

Wisma Kyoei Prince, 16th Floor,
Jalan Jenderal Sudirman Kav. 3,
Jakarta, Indonesia
Tel: 021 5724350
Web Address:
<http://www.epson.co.id>

JAPAN

SEIKO EPSON CORPORATION SHIMAUCHI PLANT

VI Customer Support Group:
4897 Shimauchi, Matsumoto-shi,
Nagano-ken, 390-8640 JAPAN
Tel: 0263-48-5438
Fax: 0263-48-5680
Web Address:
<http://www.epson.jp>

KOREA

EPSON KOREA CO., LTD.

11F Milim Tower, 825-22
Yeoksam-dong, Gangnam-gu,
Seoul, 135-934 Korea
Tel: 82-2-558-4270
Fax: 82-2-558-4272
Web Address:
<http://www.epson.co.kr>

MALAYSIA

Epson Malaysia SDN. BHD.

3rd Floor, East Tower, Wisma
Consplant 1
No.2, Jalan SS 16/4,
47500 Subang Jaya,
Malaysia.
Tel: 03 56 288 288
Fax: 03 56 288 388 or 56 288 399
Web Address:
<http://www.epson.com.my>

NEW ZEALAND

Epson New Zealand

Level 4, 245 Hobson St
Auckland 1010
New Zealand
Tel: 09 366 6855
Fax 09 366 865
Web Address:
<http://www.epson.co.nz>

PHILIPPINES

EPSON PHILIPPINES CORPORATION

8th Floor, Anson's Centre,
#23 ADB Avenue, Pasig City
Philippines
Tel: 032 706 2659
Web Address:
<http://www.epson.com.ph>

SINGAPORE

EPSON SINGAPORE PTE. LTD.

1 HarbourFront Place #03-02
HarbourFront Tower One
Singapore 098633.
Tel: 6586 3111
Fax: 6271 5088
Web Address:
<http://www.epson.com.sg>

TAIWAN

EPSON Taiwan Technology & Trading Ltd.

14F, No. 7, Song Ren Road,
Taipei, Taiwan, ROC.
Tel: (02) 8786-6688
Fax: (02) 8786-6633
Web Address:
<http://www.epson.com.tw>

THAILAND

EPSON (Thailand) Co., Ltd.

42th Floor, Empire Tower,
195 South Sathorn Road,
Yannawa, Sathorn, Bangkok 10120,
Thailand.

Tel: 02 685 9899

Fax: 02 670 0669

Web Address:

<http://www.epson.co.th>

Notices

General

Type of sensor	5 megapixel CMOS sensor
Lens	F=2.8
Imaging area	29.7 x 41.9 cm (11.7 x 16.5 inch)
Zoom	10x digital (2x lossless for XGA/WXGA output, 1.9x for SXGA output)
Output	Analog: SXGA/WXGA/XGA USB: QVGA/VGA/SVGA/SXGA/XGA/UXGA Composite: NTSC/PAL
Frame rate	Up to 30 fps
Memory (internal)	1GB
Memory card compatibility	SD Card

Remote Control

Range	Approximately 8 m (26 feet)
Batteries	AA x 2

Dimensions

Open (WxDxH)	270 x 326 x 437 mm (10.6 x 12.8 x 17.2 inches)
Folded (WxDxH)	270 x 192 x 244 mm (10.6 x 7.6 x 9.6 inches)
Weight	2.2 kg (1 lb)

Electrical

Power supply	100 - 240V AC \pm 10% 50/60Hz
--------------	---------------------------------

Power consumption	Standby: 0.46 W Operating: 14.5 W
-------------------	--------------------------------------

AC Adapter

Model	DSA - 36 W - 12
Input	100 - 240V AC 50/60Hz 1.0A
Output	12V DC 2A

Environmental

Temperature	Operating: 41 to 95°F (5 to 35°C) Storage: 14 to 140°F (-10 to 60°C)
Humidity	Operating: 20 to 80% RH, non-condensing Storage: 10 to 90% RH, non-condensing
Operating altitude	Up to 2000 meters (6561 feet)

System Requirements

These system requirements are for using the included software:

Windows: Microsoft Windows 7, Windows Vista, Windows XP (Service Pack 2 or later)

Macintosh: Mac OS X 10.5 to 10.6

This product is also designed for IT power distribution system with phase-to-phase voltage 230V.

For United States Users

This equipment has been tested and found to comply with the limits for a Class B digital device, pursuant to Part 15 of the FCC Rules. These limits are designed to provide reasonable protection against harmful interference in a residential installation. This equipment generates, uses, and can radiate radio frequency energy and, if not installed and used in accordance with the instructions, may cause harmful interference to radio or television reception. However, there is no guarantee that interference will not occur in a particular installation. If this equipment does cause interference to radio and television reception, which can be determined by turning the equipment off and on, the user is encouraged to try to correct the interference by one or more of the following measures:

- Reorient or relocate the receiving antenna.
- Increase the separation between the equipment and receiver.
- Connect the equipment into an outlet on a circuit different from that to which the receiver is connected.
- Consult the dealer or an experienced radio/TV technician for help.

WARNING

The connection of a non-shielded equipment interface cable to this equipment will invalidate the FCC Certification of this device and may cause interference levels which exceed the limits established by the FCC for this equipment. It is the responsibility of the user to obtain and use a shielded equipment interface cable with this device. If this equipment has more than one interface connector, do not leave cables connected to unused interfaces. Changes or modifications not expressly approved by the manufacturer could void the user's authority to operate the equipment.

For Canadian Users

This Class B digital apparatus complies with Canadian ICES-003.

Cet appareil numérique de la class B est conforme à la norma NMB-003 du Canada.

According to 47CFR, Part 2 and 15 Class B Personal Computers and Peripherals; and/or CPU Boards and Power Supplies used with Class B Personal Computers

We: Epson America, Inc.
Located at: 3840 Kilroy Airport Way
MS: 3-13
Long Beach, CA 90806
Telephone: (562) 290-5254

Declare under sole responsibility that the product identified herein, complies with 47CFR Part 2 and 15 of the FCC rules as a Class B digital device. Each product marketed, is identical to the representative unit tested and found to be compliant with the standards. Records maintained continue to reflect the equipment being produced can be expected to be within the variation accepted, due to quantity production and testing on a statistical basis as required by 47CFR §2.909. Operation is subject to the following two conditions: (1) this device may not cause harmful interference, and (2) this device must accept any interference received, including interference that may cause undesired operation.

Trade Name: Epson
Type of Product: Document camera
Model: ELPDC11

All rights reserved. No part of this publication may be reproduced, stored in a retrieval system, or transmitted in any form or by any means, electronic, mechanical, photocopying, recording, or otherwise, without the prior written permission of Seiko Epson Corporation. No patent liability is assumed with respect to the use of the information contained herein. Neither is any liability assumed for damages resulting from the use of the information contained herein.

Neither Seiko Epson Corporation nor its affiliates shall be liable to the purchaser of this product or third parties for damages, losses, costs, or expenses incurred by the purchaser or third parties as a result of: accident, misuse, or abuse of this product or unauthorized modifications, repairs, or alterations to this product, or (excluding the U.S.) failure to strictly comply with Seiko Epson Corporation's operating and maintenance instructions.

Seiko Epson Corporation shall not be liable against any damages or problems arising from the use of any options or any consumable products other than those designated as Original Epson Products or Epson Approved Products by Seiko Epson Corporation.

The contents of this guide may be changed or updated without further notice.

Illustrations in this guide and the actual projector may differ.

Responsible Use of Copyrighted Materials

Epson encourages each user to be responsible and respectful of the copyright laws when using any Epson product. While some countries' laws permit limited copying or reuse of copyrighted material in certain circumstances, those circumstances may not be as broad as some people assume. Contact your legal advisor for any questions regarding copyright law.

Trademarks

Macintosh, Mac, Mac OS, and iMac are registered trademarks of Apple Inc.

Microsoft, Windows, Windows NT, Windows Vista, Windows 7, PowerPoint, and Windows logo are trademarks or registered trademarks of Microsoft Corporation in the United States and/or other countries.

ArcSoft is a registered trademark of ArcSoft Company.

ArcSoft Application Software for Epson Document Camera © 2010 ArcSoft, Inc. All rights reserved.

General Notice: Other product names used herein are for identification purposes only and may be trademarks of their respective owners. Epson disclaims any and all rights in those marks.

This information is subject to change without notice.

© SEIKO EPSON CORPORATION 2010. All rights reserved.