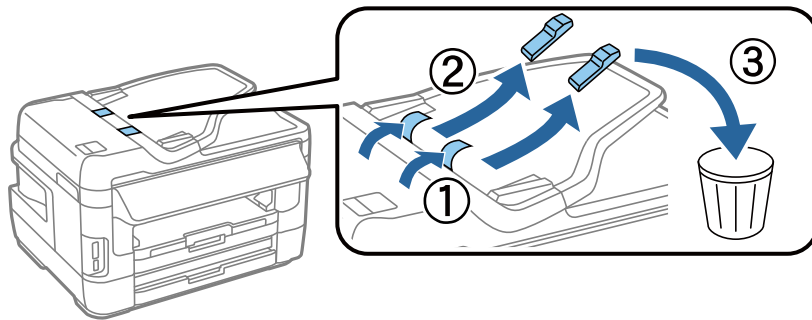

Hardware Setup Guide

Unpacking

Step. 1

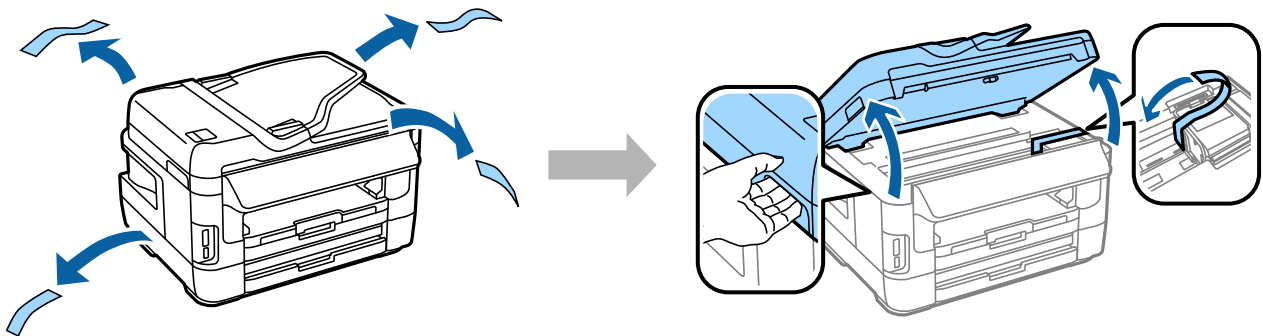
Remove all protective materials.



The illustrations in this manual are for a similar model. Although they may differ from your actual model, the method of operation is the same.

Step. 2

Remove all protective materials.

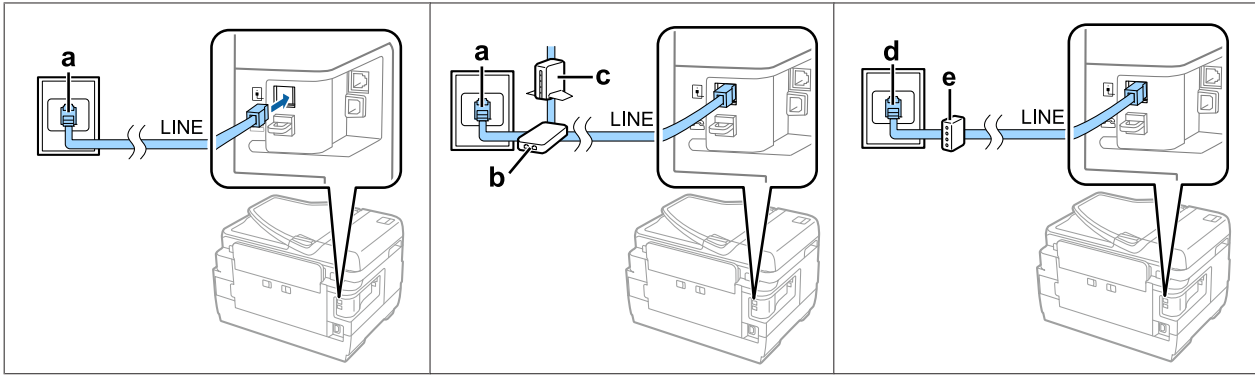


Connecting the Product to a Phone Line

Connect a phone cable to the **LINE** port on the back of the product. Choose one of the following.

Connecting to PSTN (standard phone line) or PBX	Connecting to DSL	Connecting to ISDN
--	-------------------	--------------------

Hardware Setup Guide



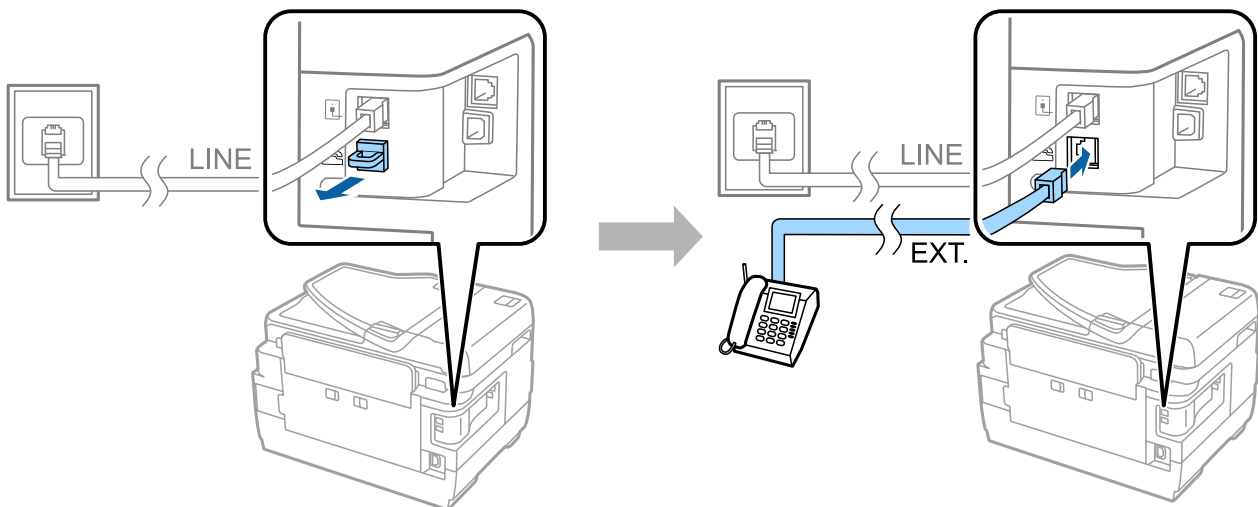
a	Telephone wall jack or PBX port If you have a PBX console in the room, connect the telephone cable from the console to the LINE port.
b	DSL filter If your DSL modem is equipped with a built-in DSL filter, you do not need a separate DSL filter.
c	DSL modem
d	ISDN wall jack
e	Terminal adapter or ISDN router

Depending on the area, a phone cable may be included with the product. If so, use that cable. You may need to connect the phone cable to an adapter provided for your country or region.

Connecting a Phone Device

If you want to share the same phone line with your telephone or answering machine, remove the cap from the **EXT** port on the back of the product. Then connect a second phone cable to the phone device and to the **EXT** port.

If you do not want to use the fax function, skip this step.

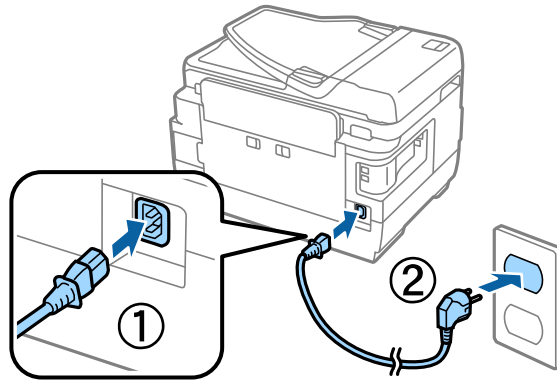


Hardware Setup Guide

Turning on the Printer

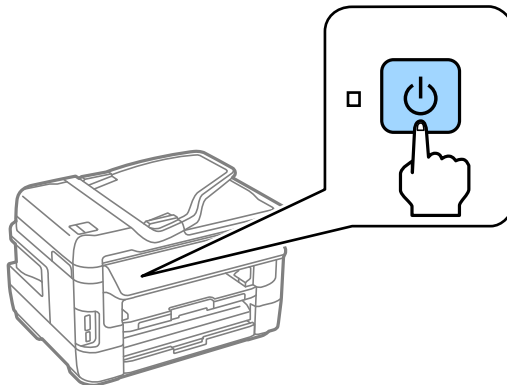
Step. 1

Connect the power cable and plug it in.



Step. 2

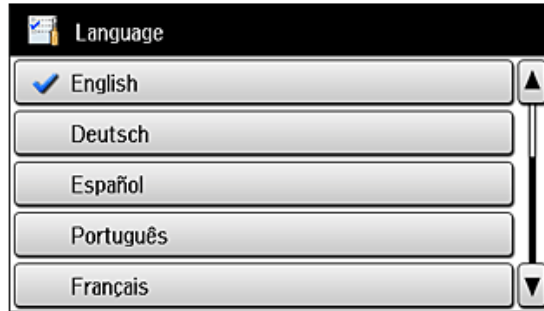
Turn on the printer.



If an error occurs check that no protective material has been left inside the printer.

Selecting a Language, Country, and Time

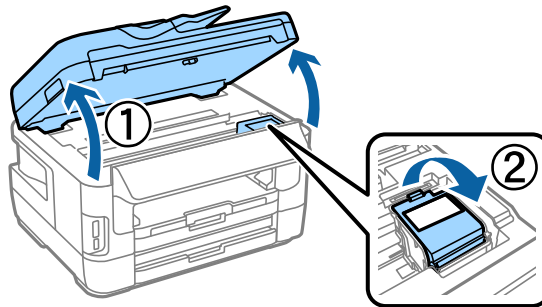
Go to the printer, and then follow the instructions to select your language, country/region, and time.



Installing Ink Cartridges

Step. 1

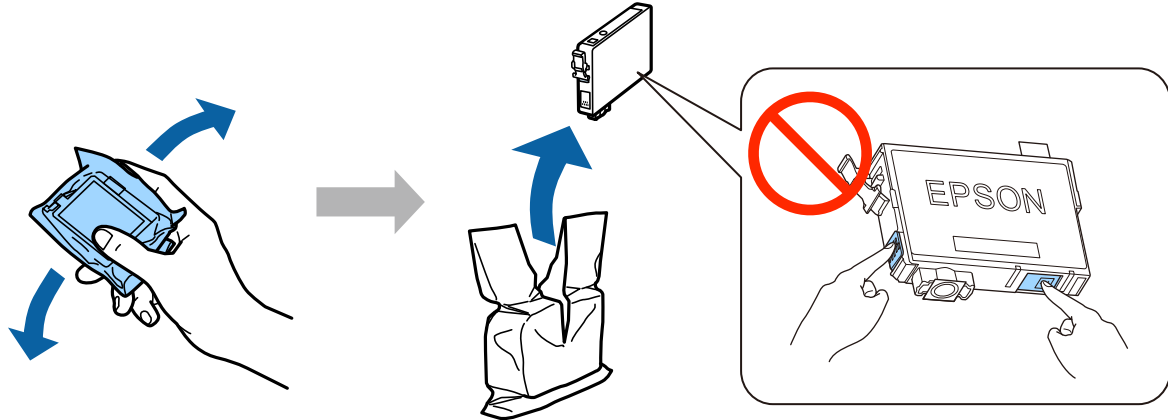
Raise the scanner unit and open the ink cartridge cover.



Hardware Setup Guide

Step. 2

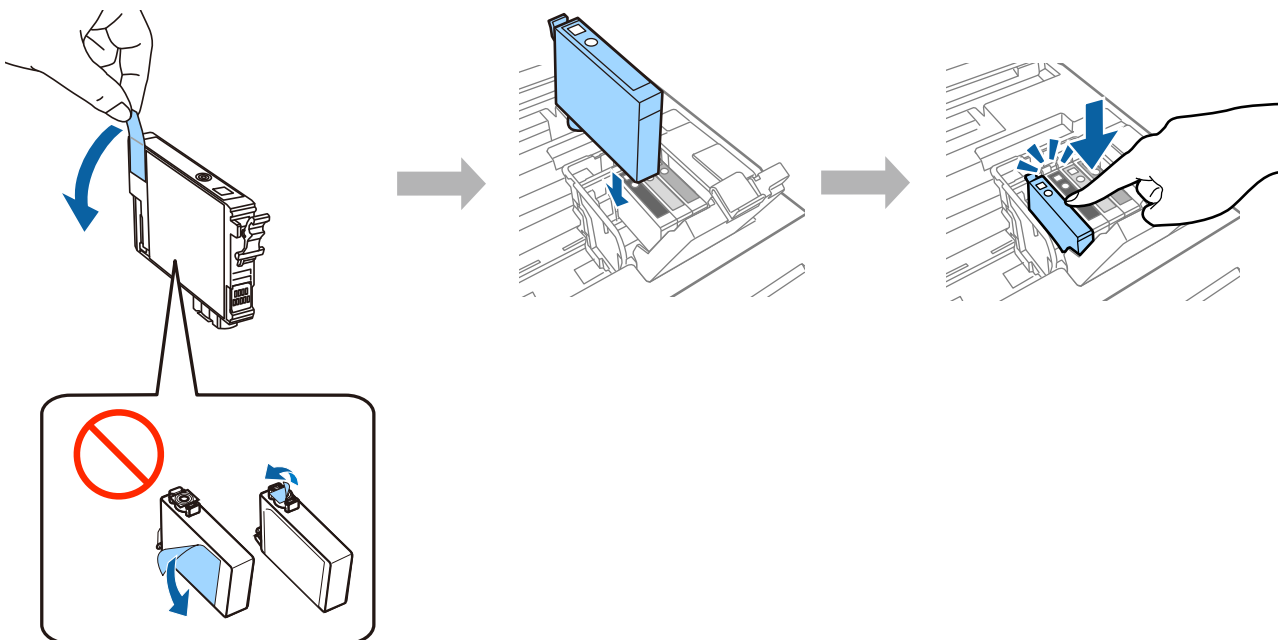
Gently shake all ink cartridges four or five times, and then remove the cartridges from their packaging.



- ❑ For the initial setup, make sure you use the ink cartridges that came with this printer. These cartridges cannot be saved for later use. The initial ink cartridges will be partly used to charge the print head. These cartridges may print fewer pages compared to subsequent ink cartridges.
- ❑ Do not touch the green chip or the small window on the side of the cartridge.

Step. 3

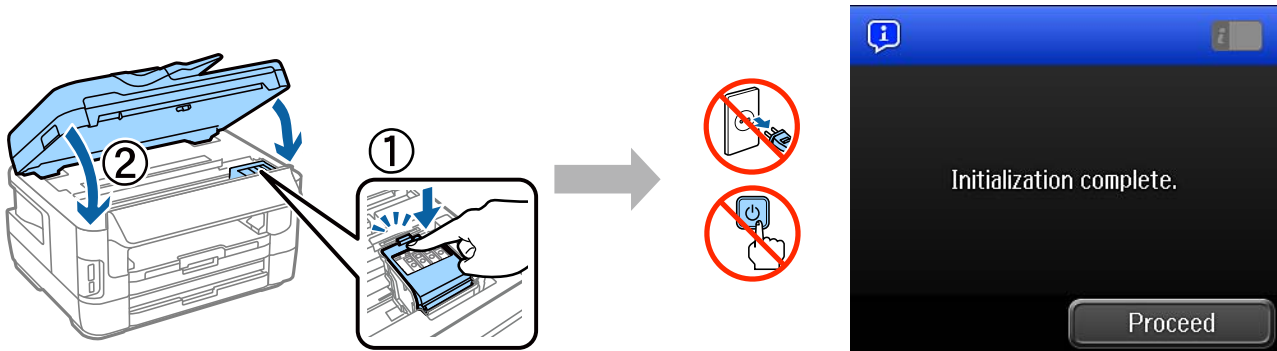
Remove only the yellow tape from the cartridges, and then insert each cartridge fully until it clicks into place.



Hardware Setup Guide

Step. 4

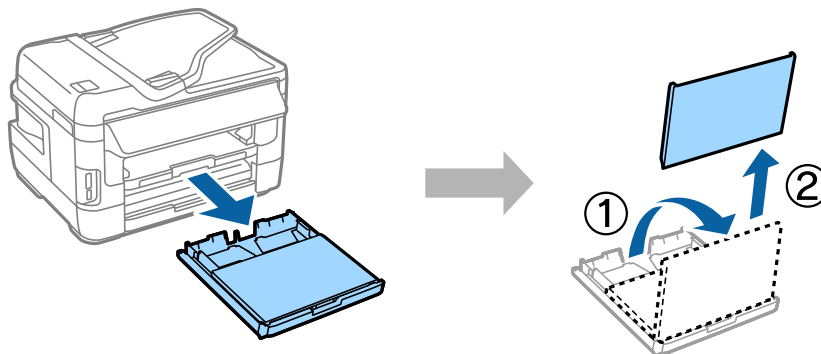
Close the ink cartridge cover and the scanner unit slowly. Ink charging starts. Wait until the charging is finished.



Loading Paper

Step. 1

Pull the paper cassette all the way out, and then remove the cover.



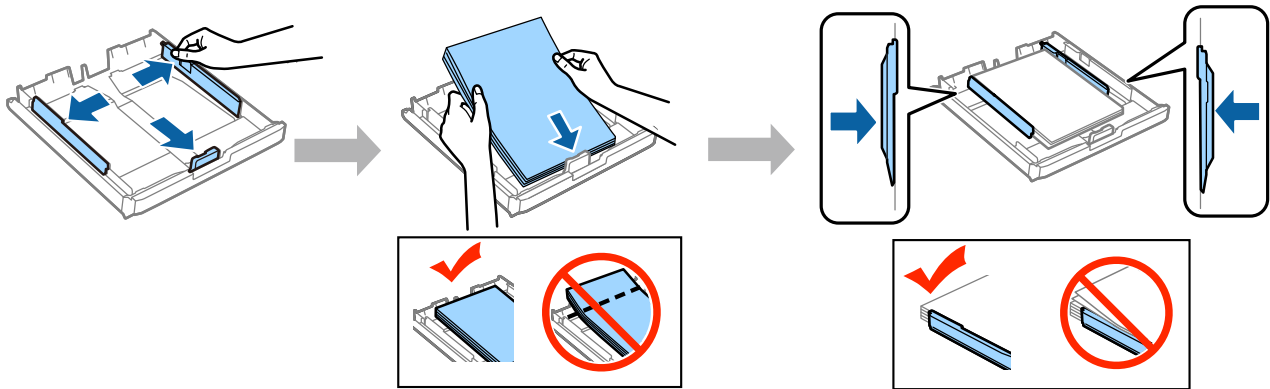
Step. 2

Pinch and slide the side edge guides to the sides of the paper cassette, and then slide the front edge guide to adjust to the paper size.

Load A4 paper toward the front edge guide with the printable side face down, and check that the paper is not sticking out from the end of the cassette.

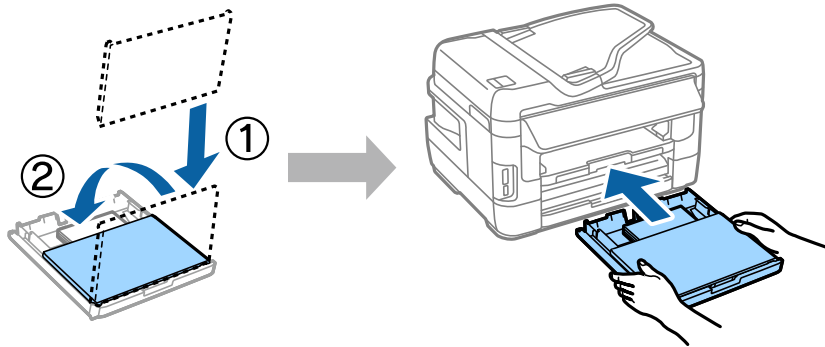
Hardware Setup Guide

Slide the side edge guides until they are flush with the edges of the paper.



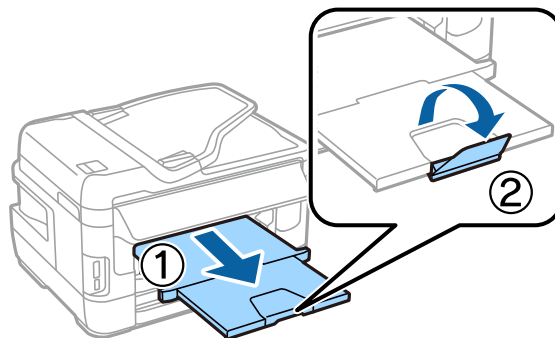
Step. 3

Reattach the paper cassette cover. Keep the cassette flat and slowly and carefully reinsert it all the way into the product.



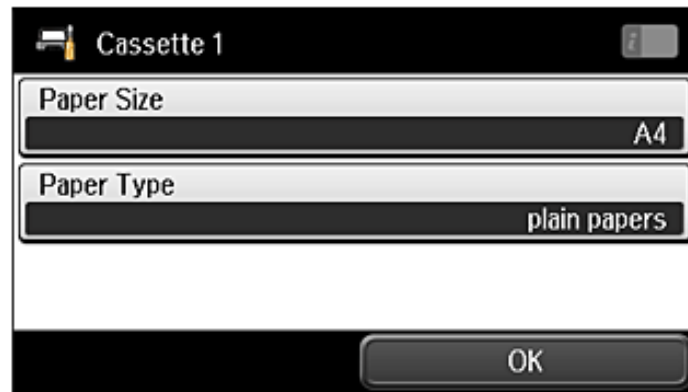
Step. 4

Slide out the output tray and raise the stopper.



Selecting Paper Source Settings

Go to the printer, and then select the paper source settings. Select the paper size and paper type that you have loaded.



If your printer has two cassettes, choose which cassette you want to setup, and then select the paper source settings.

Selecting Fax Settings

When the fax setting wizard screen is displayed on your printer's control panel, tap start to configure the minimum settings required for using the fax features. When setup is complete, the home screen is displayed.

To configure the fax settings later or if you do not want to use the fax function, close the fax setting screen. The home screen is displayed and the printer is ready for printing.



Information

Do you know that you can influence the impact you have on the environment when printing?

Hardware Setup Guide

1. The type of paper you use has an influence on the environmental impact of your printer. Choosing paper certified under environmental stewardship initiatives, such as EN 12281:2002, or carrying recognised ecolabels, can help reduce your impact on the environment through the initiatives the manufacturers implement. For specific applications, lighter paper, such as 64 g/m² paper, can be used.
2. You can reduce your power consumption by purchasing Energy Star compliant products.
3. You can reduce your paper consumption and the impact on the environment by automatically printing on both sides of the page.
4. As standard, your printer has a power management function that powers down your product when not in use, which is a great energy saving feature.