

User's Guide

Copyright

No part of this publication may be reproduced, stored in a retrieval system, or transmitted in any form or by any means, electronic, mechanical, photocopying, recording, or otherwise, without the prior written permission of Seiko Epson Corporation. No patent liability is assumed with respect to the use of the information contained herein. Neither is any liability assumed for damages resulting from the use of the information herein. The information contained herein is designed only for use with this Epson product. Epson is not responsible for any use of this information as applied to other products.

Neither Seiko Epson Corporation nor its affiliates shall be liable to the purchaser of this product or third parties for damages, losses, costs, or expenses incurred by the purchaser or third parties as a result of accident, misuse, or abuse of this product or unauthorized modifications, repairs, or alterations to this product, or (excluding the U.S.) failure to strictly comply with Seiko Epson Corporation's operating and maintenance instructions.

Seiko Epson Corporation and its affiliates shall not be liable for any damages or problems arising from the use of any options or any consumable products other than those designated as Original Epson Products or Epson Approved Products by Seiko Epson Corporation.

Seiko Epson Corporation shall not be held liable for any damage resulting from electromagnetic interference that occurs from the use of any interface cables other than those designated as Epson Approved Products by Seiko Epson Corporation.

© 2015 Seiko Epson Corporation. All rights reserved.

The contents of this manual and the specifications of this product are subject to change without notice.

Trademarks

- ❑ EPSON® is a registered trademark, and EPSON EXCEED YOUR VISION or EXCEED YOUR VISION is a trademark of Seiko Epson Corporation.
- ❑ PRINT Image Matching™ and the PRINT Image Matching logo are trademarks of Seiko Epson Corporation. Copyright © 2001 Seiko Epson Corporation. All rights reserved.
- ❑ EPSON Scan software is based in part on the work of the Independent JPEG Group.
- ❑ libtiff

Copyright © 1988-1997 Sam Leffler

Copyright © 1991-1997 Silicon Graphics, Inc.

Permission to use, copy, modify, distribute, and sell this software and its documentation for any purpose is hereby granted without fee, provided that (i) the above copyright notices and this permission notice appear in all copies of the software and related documentation, and (ii) the names of Sam Leffler and Silicon Graphics may not be used in any advertising or publicity relating to the software without the specific, prior written permission of Sam Leffler and Silicon Graphics.

THE SOFTWARE IS PROVIDED "AS-IS" AND WITHOUT WARRANTY OF ANY KIND, EXPRESS, IMPLIED OR OTHERWISE, INCLUDING WITHOUT LIMITATION, ANY WARRANTY OF MERCHANTABILITY OR FITNESS FOR A PARTICULAR PURPOSE.

IN NO EVENT SHALL SAM LEFFLER OR SILICON GRAPHICS BE LIABLE FOR ANY SPECIAL, INCIDENTAL, INDIRECT OR CONSEQUENTIAL DAMAGES OF ANY KIND, OR ANY DAMAGES WHATSOEVER RESULTING FROM LOSS OF USE, DATA OR PROFITS, WHETHER OR NOT ADVISED OF THE POSSIBILITY OF DAMAGE, AND ON ANY THEORY OF LIABILITY, ARISING OUT OF OR IN CONNECTION WITH THE USE OR PERFORMANCE OF THIS SOFTWARE.

- ❑ SDXC Logo is a trademark of SD-3C, LLC.



- ❑ Memory Stick Duo, Memory Stick PRO Duo, Memory Stick PRO-HG Duo, Memory Stick Micro, and MagicGate Memory Stick Duo are trademarks of Sony Corporation.



- ❑ PictBridge is a trademark.



- ❑ Microsoft®, Windows®, and Windows Vista® are registered trademarks of Microsoft Corporation.
- ❑ Apple, Macintosh, Mac OS, OS X, Bonjour, Safari, iPad, iPhone, iPod touch, and iTunes are trademarks of Apple Inc., registered in the U.S. and other countries. AirPrint and the AirPrint logo are trademarks of Apple Inc.

Trademarks

- ❑ Google Cloud Print™, Chrome™, Chrome OS™, and Android™ are trademarks of Google Inc.
- ❑ Adobe, Adobe Reader, Acrobat, and Photoshop are trademarks of Adobe systems Incorporated, which may be registered in certain jurisdictions.
- ❑ Intel® is a registered trademark of Intel Corporation.
- ❑ General Notice: Other product names used herein are for identification purposes only and may be trademarks of their respective owners. Epson disclaims any and all rights in those marks.

Contents

Copyright

Trademarks

About This Manual

Introduction to the Manuals.	9
Marks and Symbols.	9
Descriptions Used in this Manual.	10
Operating System References.	10

Important Instructions

Safety Instructions.	11
Printer Advisories and Warnings.	11
Advisories and Warnings for Setting Up/ Using the Printer.	12
Advisories and Warnings for Using the Printer with a Wireless Connection.	13
Advisories and Warnings for Using Memory Cards.	13
Advisories and Warnings for Using the Touchscreen.	13
Protecting Your Personal Information.	13

Printer Basics

Part Names and Functions.	14
Control Panel.	16
Buttons.	17
Guide to the LCD Screen.	17

Loading Paper

Paper Handling Precautions.	21
Available Paper and Capacities.	22
List of Paper Types.	23
Loading Paper in the Paper Cassette 1.	24
Loading Paper in the Paper Cassette 2.	28
Loading Paper in the Rear Paper Feed Slot.	31

Placing Originals on the Scanner Glass

Inserting a Memory Card

Supported Memory Cards.	37
---------------------------------	----

Inserting and Removing a Memory Card.	37
---	----

Loading a CD/DVD for Printing

Printable CD/DVDs.	39
CD/DVD Handling Precautions.	39
Loading a CD/DVD.	39
Removing a CD/DVD.	42

Printing

Printing from the Control Panel.	43
Printing Photos by Selecting from a Memory Card.	43
Printing Photos from a Memory Card onto a CD/DVD Label.	44
Printing Photos from a Memory Card with Handwritten Notes.	45
Printing Original Writing Paper and Calendars.	47
Printing Original Envelopes.	48
Printing Photos Using Other Features.	50
Menu Options for Printing from the Control Panel.	51
Printing from a Computer.	55
Printing Basics - Windows.	55
Printing Basics - Mac OS X.	56
Printing on 2-Sides.	59
Printing Several Pages on One Sheet.	61
Printing to Fit the Paper Size.	62
Printing Multiple Files Together (for Windows Only).	64
Printing One Image on Multiple Sheets to Create a Poster (for Windows Only).	65
Printing Using Advanced Features.	71
Printing Photos Using Epson Easy Photo Print.	73
Printing a CD/DVD Label with Epson Print CD.	73
Printing from Smart Devices.	74
Using Epson iPrint.	74
Using AirPrint.	76
Printing from a Digital Camera.	77
Printing from a Digital Camera Connected by USB Cable.	77
Printing from a Digital Camera Connected Wirelessly.	78
Canceling Printing.	79
Canceling Printing - Printer Button.	79
Canceling Printing - Windows.	79

Contents

Canceling Printing - Mac OS X.	79	Checking and Cleaning the Print Head - Mac OS X.	108
Copying		Aligning the Print Head.	109
Copying Basics.	80	Aligning the Print Head - Control Panel.	109
Menu Options for Copy Mode.	80	Aligning the Print Head - Windows.	109
Copying Photos.	83	Aligning the Print Head - Mac OS X.	110
Menu Options for Copy/Restore Photos.	84	Cleaning the Paper Path.	110
Copying on a CD/DVD Label.	84	Cleaning the Scanner Glass.	110
Menu Options for Copy to CD/DVD.	85	Saving Power.	111
		Saving the Power - Control Panel.	111
		Saving Power - Windows.	111
		Saving Power - Mac OS X.	112
Scanning		Menu Options for Setup Mode	
Scanning Using the Control Panel.	87	Menu Options for Ink Levels.	113
Scanning to a Memory Card.	87	Menu Options for Maintenance.	113
Scanning to the Cloud.	87	Menu Options for Printer Setup.	113
Scanning to a Computer.	88	Menu Options for Basic Setup.	115
Scanning to a Computer (WSD).	88	Menu Options for Network Settings.	115
Menu Options for Scanning.	89	Menu Options for Epson Connect Services.	116
Scanning from a Computer.	90	Menu Options for Google Cloud Print Services.	116
Scanning Basics.	90	Menu Options for File Sharing Setup.	116
Scanning Using Advanced Features.	92	Menu Options for Home NW Print Settings.	117
Scanning from Smart Devices.	95	Menu Options for External Device Setup.	117
Installing Epson iPrint.	95	Menu Options for Guide Functions.	117
Using Epson iPrint.	95	Menu Options for Firmware Update.	118
		Menu Options for Restore Default Settings.	118
Replacing Ink Cartridges		Network Service and Software Information	
Checking the Ink Levels.	97	Epson Connect Service.	119
Checking the Ink Levels - Control Panel.	97	Web Config.	119
Checking the Ink Levels - Windows.	97	Running Web Config on a Web Browser.	120
Checking the Ink Levels - Mac OS X.	97	Running Web Config on Windows.	120
Ink Cartridge Codes.	97	Running Web Config on Mac OS X.	120
Ink Cartridge Handling Precautions.	98	Windows Printer Driver.	121
Replacing Ink Cartridges.	100	Guide to Windows Printer Driver.	121
Temporarily Printing with Black Ink.	103	Making Operation Settings for the Windows Printer Driver.	124
Temporarily Printing with Black Ink - Windows	104	Mac OS X Printer Driver.	124
Temporarily Printing with Black Ink - Mac OS X.	105	Guide to Mac OS X Printer Driver.	125
Conserving Black Ink when the Black Ink Is Low (for Windows Only).	106	Making Operation Settings for the Mac OS X Printer Driver.	126
		EPSON Scan (Scanner Driver).	127
Maintaining the Printer		Epson Event Manager.	127
Checking and Cleaning the Print Head.	107	Epson Easy Photo Print.	128
Checking and Cleaning the Print Head - Control Panel.	107		
Checking and Cleaning the Print Head - Windows.	108		

Contents

Epson Print CD.	128	Copy Quality Is Poor.	144
E-Web Print (for Windows Only).	128	An Image of the Reverse Side of the Original Appears in the Copied Image.	145
Easy Photo Scan.	129	The Position, Size, or Margins of the Printout Are Incorrect.	145
EPSON Software Updater.	129	Multiple Originals are Copied onto a Single Sheet.	145
Uninstalling Applications.	129	Cannot Print Without Margins.	145
Uninstalling Applications - Windows.	130	Edges of the Image are Cropped During Borderless Printing.	146
Uninstalling Applications - Mac OS X.	130	Printing Position of Photo Stickers is Incorrect.	146
Installing Applications.	131	Printing Position on a CD/DVD is Incorrect.	146
Updating Applications and Firmware.	131	Paper Is Smearred or Scuffed.	146
Updating the Printer's Firmware using the Control Panel.	132	Paper is Smearred During Automatic 2-Sided Printing.	147
		Printed Characters Are Incorrect or Garbled.	147
		The Printed Image Is Inverted.	147
		The Printout Problem Could Not be Cleared.	148
		Other Printing Problems.	148
		Printing Is Too Slow.	148
		Printing Slows Down Dramatically During Continuous Printing.	149
		Cannot Cancel Printing from a Computer Running Mac OS X v10.6.8.	149
		Cannot Start Scanning.	149
		Cannot Start Scanning when Using the Control Panel.	150
		Scanned Image Problems.	150
		Scan Quality Is Poor.	150
		Characters Are Blurred.	150
		An Image of the Reverse Side of the Original Appears in the Scanned Image.	151
		Moire (Cross-Hatch) Patterns Appear in the Scanned Image.	151
		Scanning Area or Direction Is Not Correct.	151
		The Scanned Image Problem Could Not be Cleared.	152
		Other Scanning Problems.	152
		Cannot Scan in Full Auto Mode in EPSON Scan.	152
		Thumbnail Preview Does Not Work Properly.	152
		Scanning Is Too Slow.	152
		Scanning Stops when Scanning to PDF/ Multi-TIFF.	153
		Other Problems.	153
		Slight Electric Shock when Touching the Printer.	153
		Operation Sounds Are Loud.	153
		Cannot Save Data to a Memory Device.	153
		Application Is Blocked by a Firewall (for Windows Only).	153
Solving Problems			
Checking the Printer Status.	133		
Checking Messages on the LCD Screen.	133		
Checking the Printer Status - Windows.	134		
Checking Printer Status - Mac OS X.	135		
Removing Jammed Paper.	135		
Removing Jammed Paper from the Paper Cassette.	135		
Removing Jammed Paper from Inside the Printer.	136		
Removing Jammed Paper from the Rear Cover.	137		
Paper Does Not Feed Correctly.	139		
Paper Jams.	139		
Paper Feeds at a Slant.	139		
Several Sheets of Paper are Fed at a Time.	140		
No Paper Feeds.	140		
Paper is Ejected from the Rear Paper Feed Slot Without Being Printed.	140		
CD/DVD Tray is Ejected.	140		
Power and Control Panel Problems.	140		
Power Does Not Turn On.	140		
Lights Came On and then Went Out.	141		
Power Does Not Turn Off.	141		
LCD Screen Gets Dark.	141		
The Auto Power On Feature does not Work.	141		
Cannot Print from a Computer.	141		
Cannot Use AirPrint.	142		
Printout Problems.	142		
Nothing or a Very Faint Image is Printed.	142		
Print Quality is Poor.	142		
Print Quality Does Not Improve Even After Aligning the Print Head.	143		
Images or Photos are Printed in Unexpected Colors.	144		
Banding Appears at Intervals of Approximately 2.5 cm.	144		

"?" Is Displayed on the Photo Selection Screen. . . 154

Appendix

Technical Specifications.	155
Printer Specifications.	155
Scanner Specifications.	156
Interface Specifications.	156
Wi-Fi Specifications.	157
Ethernet Specifications.	157
Security Protocol.	157
Supported Third Party Services.	157
External Storage Device Specifications.	158
Dimensions.	160
Electrical Specifications.	160
Environmental Specifications.	160
System Requirements.	161
Regulatory Information.	161
Standards and Approvals.	161
Restrictions on Copying.	162
Transporting the Printer.	163
Accessing a Memory Card From a Computer.	164
Where to Get Help.	165
Technical Support Web Site.	165
Contacting Epson Support.	166

About This Manual

Introduction to the Manuals

The following manuals are supplied with your Epson printer. As well as the manuals, check the various types of help information available from the printer itself or from the Epson software applications.

Start Here (paper manual)

Provides you with information on setting up the printer, installing the software, using the printer, solving problems, and so on.

User's Guide (digital manual)

This manual. Provides overall information and instructions on using the printer, and on solving problems.

Network Guide (digital manual)

Provides information on network settings and solving problems when using the printer on a network.

You can obtain the latest versions of the above manuals with the following methods.

Paper manual

Visit the Epson Europe support website at <http://www.epson.eu/Support>, or the Epson worldwide support website at <http://support.epson.net/>.

Digital manual

Start EPSON Software Updater on your computer. EPSON Software Updater checks for available updates of Epson software applications and the digital manuals, and allows you to download the latest ones.

Related Information

➔ [“EPSON Software Updater” on page 129](#)

Marks and Symbols



Caution:

Instructions that must be followed carefully to avoid bodily injury.



Important:

Instructions that must be observed to avoid damage to your equipment.

Note:

Provides complementary and reference information.

➔ Related Information

Links to related sections.

Descriptions Used in this Manual

- ❑ Screenshots of the printer driver and the EPSON Scan (scanner driver) screens are from Windows 8.1 or Mac OS X v10.10.x. The content displayed on the screens varies depending on the model and situation.
- ❑ Illustrations of the printer used in this manual are examples only. Although there may be slight differences depending on the model, the method of operation is the same.
- ❑ Some of the menu items on the LCD screen vary depending on the model and settings.

Operating System References

Windows

In this manual, terms such as "Windows 8.1", "Windows 8", "Windows 7", "Windows Vista", and "Windows XP" refer to the following operating systems. Additionally, "Windows" is used to refer to all versions.

- ❑ Microsoft® Windows® 8.1 operating system
- ❑ Microsoft® Windows® 8 operating system
- ❑ Microsoft® Windows® 7 operating system
- ❑ Microsoft® Windows Vista® operating system
- ❑ Microsoft® Windows® XP operating system
- ❑ Microsoft® Windows® XP Professional x64 Edition operating system

Mac OS X

In this manual, "Mac OS X v10.10.x" refers to OS X Yosemite, "Mac OS X v10.9.x" refers to OS X Mavericks, and "Mac OS X v10.8.x" refers to OS X Mountain Lion. Additionally, "Mac OS X" is used to refer to "Mac OS X v10.10.x", "Mac OS X v10.9.x", "Mac OS X v10.8.x", "Mac OS X v10.7.x", and "Mac OS X v10.6.8".

Important Instructions

Safety Instructions

Read and follow these instructions to ensure safe use of this printer. Make sure you keep this manual for future reference. Also, be sure to follow all warnings and instructions marked on the printer.



- Use only the power cord supplied with the printer and do not use the cord with any other equipment. Use of other cords with this printer or the use of the supplied power cord with other equipment may result in fire or electric shock.
- Be sure your AC power cord meets the relevant local safety standard.
- Never disassemble, modify, or attempt to repair the power cord, plug, printer unit, scanner unit, or options by yourself, except as specifically explained in the printer's manuals.
- Unplug the printer and refer servicing to qualified service personnel under the following conditions:
The power cord or plug is damaged; liquid has entered the printer; the printer has been dropped or the casing damaged; the printer does not operate normally or exhibits a distinct change in performance. Do not adjust controls that are not covered by the operating instructions.
- Place the printer near a wall outlet where the plug can be easily unplugged.
- Do not place or store the printer outdoors, near excessive dirt or dust, water, heat sources, or in locations subject to shocks, vibrations, high temperature or humidity.
- Take care not to spill liquid on the printer and not to handle the printer with wet hands.
- Keep the printer at least 22 cm away from cardiac pacemakers. Radio waves from this printer may adversely affect the operation of cardiac pacemakers.
- If the LCD screen is damaged, contact your dealer. If the liquid crystal solution gets on your hands, wash them thoroughly with soap and water. If the liquid crystal solution gets into your eyes, flush them immediately with water. If discomfort or vision problems remain after a thorough flushing, see a doctor immediately.
- Be careful when you handle ink cartridges, as there may be some ink around the ink supply port.
 - If ink gets on your skin, wash the area thoroughly with soap and water.
 - If ink gets into your eyes, flush them immediately with water. If discomfort or vision problems continue after a thorough flushing, see a doctor immediately.
 - If ink gets into your mouth, see a doctor right away.
- Do not disassemble the ink cartridge; otherwise ink may get into your eyes or on your skin.
- Do not shake ink cartridges too vigorously and do not drop them. Also, be careful not to squeeze them or tear their labels. Doing so may cause ink leakage.
- Keep ink cartridges out of the reach of children.

Printer Advisories and Warnings

Read and follow these instructions to avoid damaging the printer or your property. Make sure you keep this manual for future reference.

Important Instructions

Advisories and Warnings for Setting Up/Using the Printer

- Do not block or cover the vents and openings in the printer.
- Use only the type of power source indicated on the printer's label.
- Avoid using outlets on the same circuit as photocopiers or air control systems that regularly switch on and off.
- Avoid electrical outlets controlled by wall switches or automatic timers.
- Keep the entire computer system away from potential sources of electromagnetic interference, such as loudspeakers or the base units of cordless telephones.
- The power-supply cords should be placed to avoid abrasions, cuts, fraying, crimping, and kinking. Do not place objects on top of the power-supply cords and do not allow the power-supply cords to be stepped on or run over. Be particularly careful to keep all the power-supply cords straight at the ends and the points where they enter and leave the transformer.
- If you use an extension cord with the printer, make sure that the total ampere rating of the devices plugged into the extension cord does not exceed the cord's ampere rating. Also, make sure that the total ampere rating of all devices plugged into the wall outlet does not exceed the wall outlet's ampere rating.
- If you plan to use the printer in Germany, the building installation must be protected by a 10 or 16 amp circuit breaker to provide adequate short-circuit protection and over-current protection for the printer.
- When connecting the printer to a computer or other device with a cable, ensure the correct orientation of the connectors. Each connector has only one correct orientation. Inserting a connector in the wrong orientation may damage both devices connected by the cable.
- Place the printer on a flat, stable surface that extends beyond the base of the printer in all directions. The printer will not operate properly if it is tilted at an angle.
- When storing or transporting the printer, avoid tilting it, placing it vertically, or turning it upside down; otherwise ink may leak.
- Allow space above the printer so that you can fully raise the document cover.
- Leave enough space in front of the printer for the paper to be fully ejected.
- Avoid places subject to rapid changes in temperature and humidity. Also, keep the printer away from direct sunlight, strong light, or heat sources.
- Do not insert objects through the slots in the printer.
- Do not put your hand inside the printer during printing.
- Do not touch the white flat cable inside the printer.
- Do not use aerosol products that contain flammable gases inside or around the printer. Doing so may cause fire.
- Do not move the print head by hand; otherwise, you may damage the printer.
- Be careful not to trap your fingers when closing the scanner unit.
- Do not press too hard on the scanner glass when placing the originals.
- Always turn the printer off using the  button. Do not unplug the printer or turn off the power at the outlet until the  light stops flashing.
- Before transporting the printer, make sure that the print head is in the home (far right) position and the ink cartridges are in place.
- If you are not going to use the printer for a long period, be sure to unplug the power cord from the electrical outlet.

Important Instructions

Advisories and Warnings for Using the Printer with a Wireless Connection

- ❑ Radio waves from this printer may negatively affect the operation of medical electronic equipment, causing them to malfunction. When using this printer inside medical facilities or near medical equipment, follow directions from the authorized personnel representing the medical facilities, and follow all posted warnings and directions on the medical equipment.
- ❑ Radio waves from this printer may negatively affect the operation of automatically controlled devices such as automatic doors or fire alarms, and could lead to accidents due to malfunction. When using this printer near automatically controlled devices, follow all posted warnings and directions on these devices.

Advisories and Warnings for Using Memory Cards

- ❑ Do not remove a memory card or turn off the printer while the memory card light is flashing.
- ❑ The methods for using memory cards vary according to card type. Be sure to refer to the manual packaged with your memory card for details.
- ❑ Use only memory cards compatible with the printer.

Related Information

➔ [“Supported Memory Card Specifications” on page 158](#)

Advisories and Warnings for Using the Touchscreen

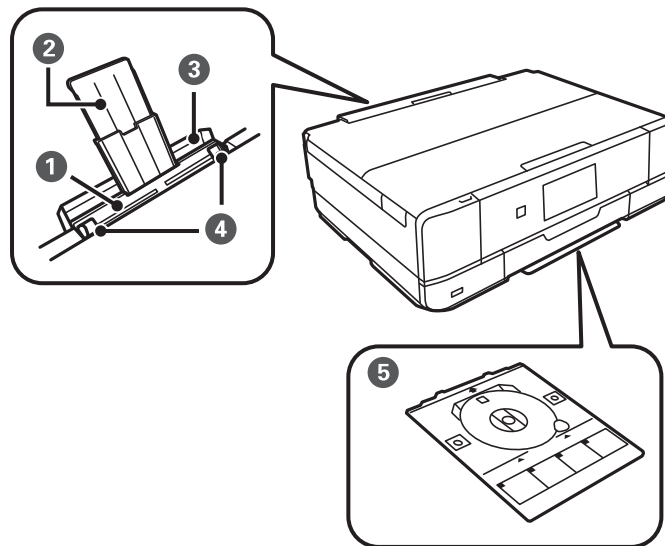
- ❑ The LCD screen may contain a few small bright or dark spots, and because of its features it may have an uneven brightness. These are normal and do not indicate that it is damaged in any way.
- ❑ Only use a dry, soft cloth for cleaning. Do not use liquid or chemical cleaners.
- ❑ The exterior cover of the touchscreen could break if it receives a heavy impact. Contact your dealer if the panel surface chips or cracks, and do not touch or attempt to remove the broken pieces.
- ❑ Press the touchscreen gently with your finger. Do not press force or operate with your nails.
- ❑ Do not use sharp objects such as ball point pens or sharp pencils to perform operations.
- ❑ Condensation inside the touchscreen due to abrupt changes in temperature or humidity may cause performance to deteriorate.

Protecting Your Personal Information

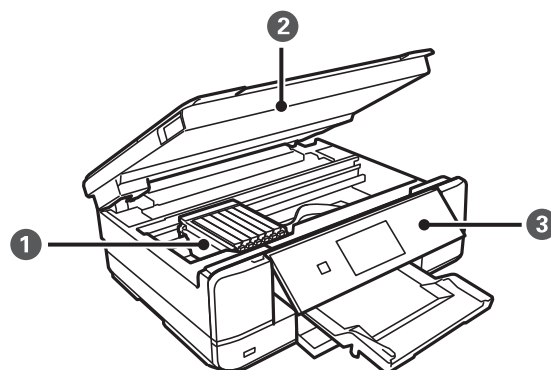
When you give the printer to someone else or dispose of it, erase all the personal information stored in the printer's memory by selecting **Setup > Restore Default Settings > All Settings** on the control panel.

Printer Basics

Part Names and Functions



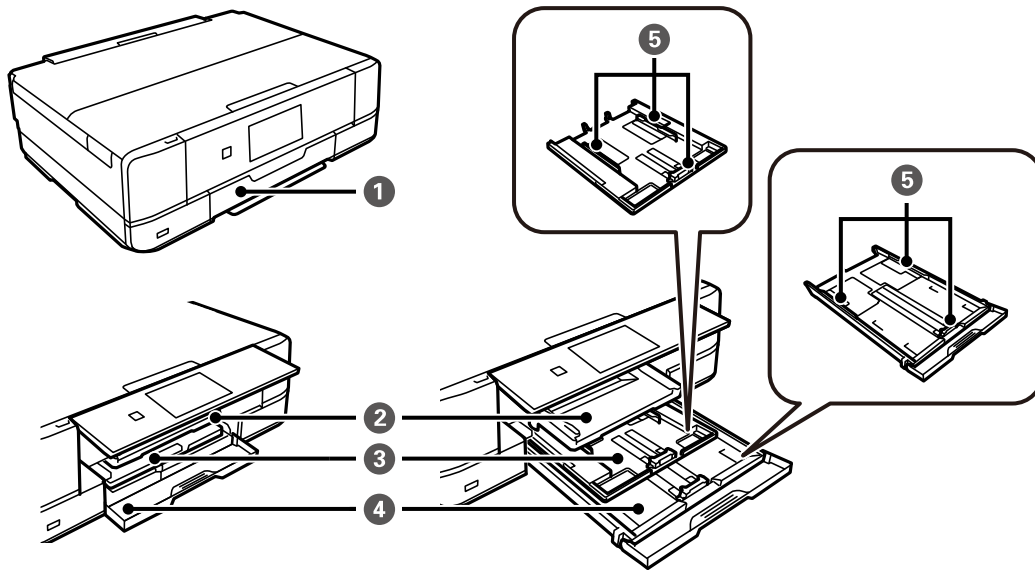
❶	Rear paper feed slot	Load one sheet of paper at a time by hand.
❷	Paper support	Supports loaded paper.
❸	Rear paper feed slot cover	Prevents foreign substance from entering the printer. This cover should usually be closed.
❹	Edge guide	Feeds the paper straight into the printer. Slide to the edges of the paper.
❺	CD/DVD tray	Place a CD/DVD for label printing. This should usually be stored on the bottom of the printer.



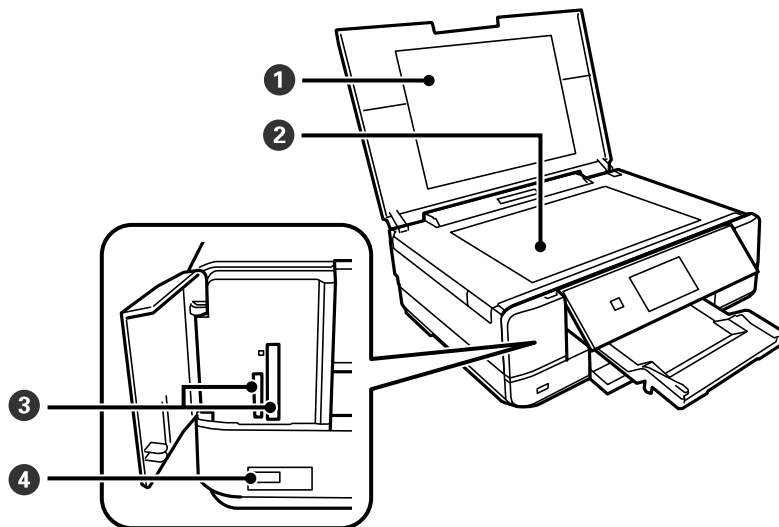
❶	Ink cartridge holder	Install the ink cartridges. Ink is ejected from the print head nozzles underneath.
❷	Scanner unit	Scans placed originals. Open to replace ink cartridges or to remove jammed paper. This unit should usually be kept closed.

Printer Basics

3	Control Panel	Operates the printer.
---	---------------	-----------------------



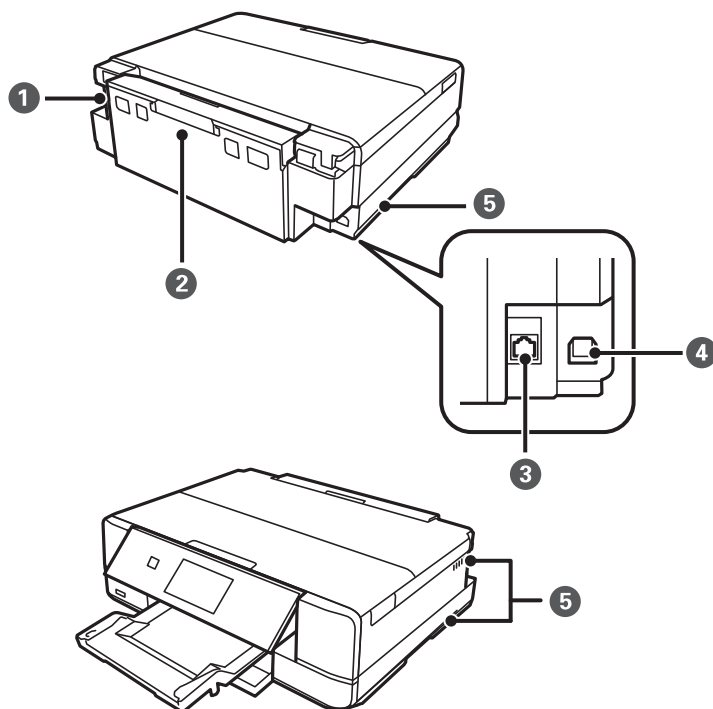
1	Front cover	Open to load paper in the paper cassette.
2	Output tray	Holds the ejected paper. When you start printing, this tray is ejected automatically. If you select Yes on the screen displayed when the printer is turned off, it is stored automatically. If it is not stored, push it in with your hand.
3	Paper cassette 1	Loads paper.
4	Paper cassette 2	
5	Edge guide	Feeds the paper straight into the printer. Slide to the edges of the paper.



1	Document cover	Blocks external light while scanning.
---	----------------	---------------------------------------

Printer Basics

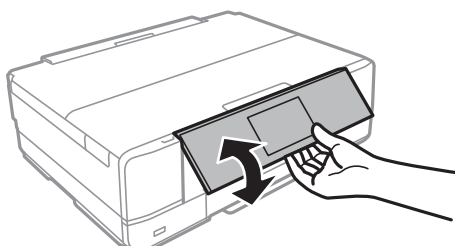
②	Scanner glass	Place the originals.
③	Memory card slot	Insert a memory card.
④	External interface USB port	Connects an external storage device or a PictBridge capable device.



①	AC inlet	Connects the power cord.
②	Rear cover	Remove when removing jammed paper.
③	LAN port	Connects a LAN cable.
④	USB port	Connects a USB cable to connect with a computer.
⑤	Vent	Releases heat from the inside of the printer. Vents are on the bottom right, bottom left, and on the right-hand side. Do not cover the vents when placing the printer.

Control Panel

You can change the angle of the control panel.



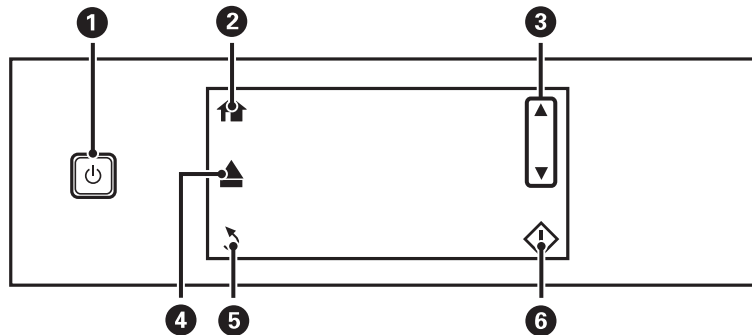
Printer Basics

Note:

- ❑ When turning on the printer, the control panel rises automatically. When turning on the next time, the panel rises to the same angle as the last time you turned the power off.
- ❑ If you start printing with the control panel closed, it rises automatically and the output tray is ejected.

Buttons

All available buttons, except for the power button, are displayed on the LCD screen.



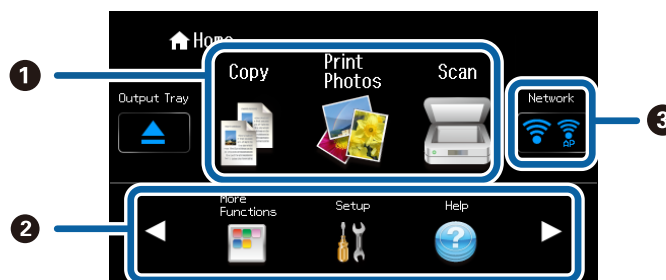
1		Turns the printer on or off. Do not turn off while the power light is flashing (while the printer is operating or processing data). Unplug the power cord when the power light is off.
2		Displays the home screen.
3		Scrolls the screen up or down to select a menu item.
4		Opens or closes the output tray.
5		Returns to the previous screen.
6		Starts an operation such as printing or copying.

Guide to the LCD Screen

Menus and messages are displayed on the LCD screen. Touch the screen to select a menu or make settings.

Guide to the Home Screen

The following icons and menus are displayed on the home screen.



Printer Basics

①	Copy	Enters Copy mode that allows you to copy a document.
	Print Photos	Enters Print Photos mode that allows you to print photos on your memory card.
	Scan	Enters Scan mode that allows you to scan a document or a photo.
②	Press ◀ or ▶ to display hidden menu icons.	
	More Functions	Enters More Functions mode that allows you to access a variety of printing features such as copying photos, printing photos in different layouts, and copying or printing on a CD/DVD.
	Setup	Enters Setup mode that allows you to make maintenance, printer setup, and network settings.
	Help	Displays help information on basic operations, meaning of the icons displayed on the LCD screen, and troubleshooting information.
	Quiet Mode	Displays Quiet Mode setting that allows you to reduce the noise the printer makes. However, enabling this may reduce print speed. Depending on the paper type and print quality settings you selected, there may be no difference in the printer's noise level. This is a shortcut to the following menu. Setup > Printer Setup > Quiet Mode
③	<p>Displays the network connection status. Press this icon to access the menus for network setup or for checking the network settings as described below. You can also access the network menus from the Setup mode.</p> <ul style="list-style-type: none"> <input type="checkbox"/> When the printer is not connected to a network Press an icon of your desired connection method, and press Start Setup on the next screen to display the network setup menus. To setup the printer for use on a network using the menus, see the Network Guide. <input type="checkbox"/> When the printer is connected to a network Press See Connection Details to display the setting information such as the printer's IP address. Press Menu to display the network setup menus. Press Details to display the menus for check the status such as a menu for printing a network status sheet. 	

Related Information

- ➔ [“Copying” on page 80](#)
- ➔ [“Printing from the Control Panel” on page 43](#)
- ➔ [“Copying Photos” on page 83](#)
- ➔ [“Printing in Various Layouts” on page 50](#)
- ➔ [“Scanning Using the Control Panel” on page 87](#)
- ➔ [“Menu Options for Setup Mode” on page 113](#)
- ➔ [“Menu Options for Network Settings” on page 115](#)

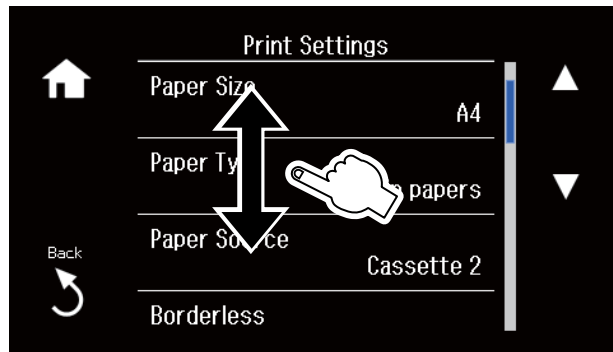
Scrolling the LCD Screen

You can scroll the screen by touching ▲ ▼ ◀ ▶ or by using the following swiping actions.

- Swipe the center of the screen.

Printer Basics

- ❑ Swipe a bit harder if the touch screen does not respond.

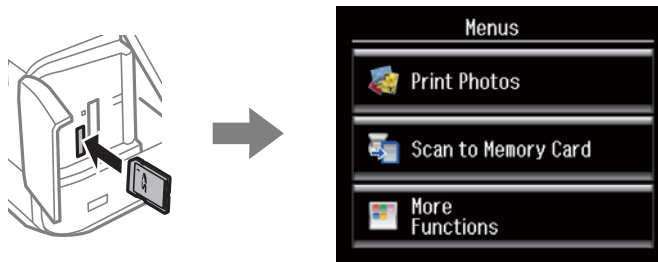


Displaying a Menu Appropriate to the Operation

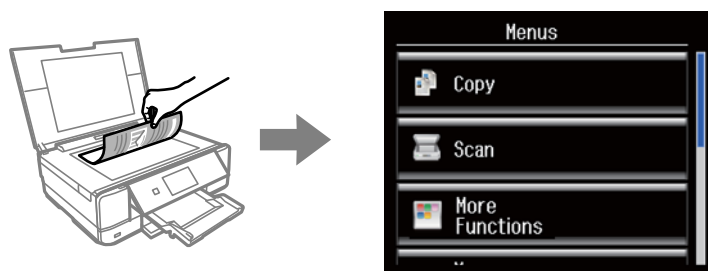
The printer automatically displays menus appropriate to your operation as shown below. If you want to stop the feature, disable the **Auto Selection Mode** setting.

Setup > Guide Functions > Auto Selection Mode

- ❑ Insert a memory card.



- ❑ Open the document cover to place an original.



Related Information

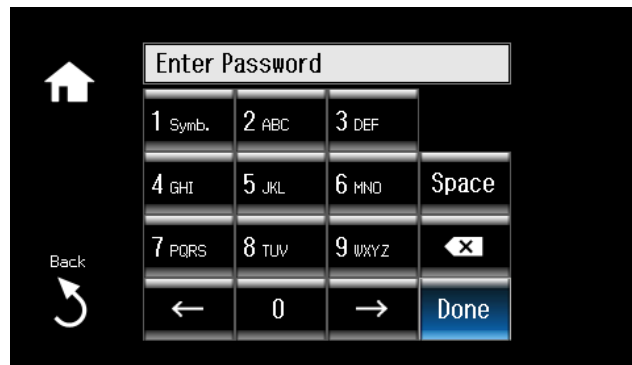
➔ [“Menu Options for Guide Functions” on page 117](#)

Entering Characters

To enter numbers, characters or symbols for network settings, use the keyboard on the LCD screen.

Printer Basics

The displayed screen varies depending on the setting items. The following is the screen for entering the password for your Wi-Fi network.

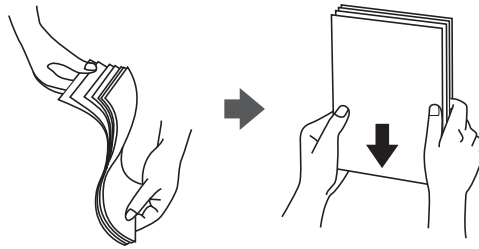


Icons	Descriptions
	Enters a space to the right of the cursor.
	Deletes a character to the left (backspace).
	Moves the cursor to the left or right.
Done	Accepts the entry and closes the keyboard screen. A confirmation screen or the next screen is displayed.
	Displays "1", and then displays symbols when the button is pressed twice or more.
	Displays and switches numbers and characters between "ABC" (uppercase characters), "abc" (lowercase characters), and "2" each time the button is pressed. The other number/character buttons function in the same way.

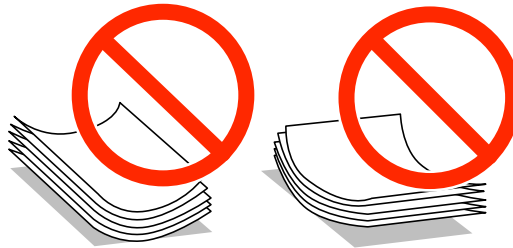
Loading Paper

Paper Handling Precautions

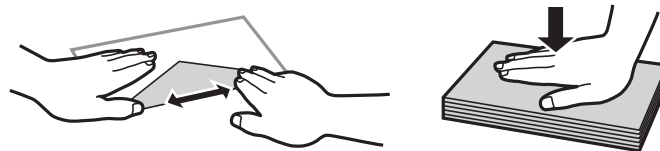
- ❑ Read the instruction sheets supplied with the paper.
- ❑ Fan and align the edges of the paper before loading. Do not fan or curl photo paper. Doing so may damage the printable side.



- ❑ If the paper is curled, flatten it or curl it slightly in the opposite direction before loading. Printing on curled paper may cause paper jams and smears on the printout.



- ❑ Do not use paper that is wavy, torn, cut, folded, damp, too thick, too thin, or paper that has stickers stuck to it. Using these types of paper causes paper jams and smears on the printout.
- ❑ Fan and align the edges of the envelopes before loading. When the stacked envelopes are puffed up with air, press them down to flatten them before loading.



- ❑ Do not use envelopes that are curled or folded. Using these envelopes causes paper jams and smears on the printout.
- ❑ Do not use envelopes with adhesive surfaces on the flaps or window envelopes.
- ❑ Avoid using envelopes that are too thin, as they may curl during printing.

Related Information

- ➔ [“Printer Specifications” on page 155](#)

Available Paper and Capacities

Epson recommends using genuine Epson paper to ensure high-quality printouts.

Genuine Epson Paper

Media Name	Size	Loading Capacity (Sheets)			2-Sided Printing ^{*1}	Borderless Printing ^{*2}
		Paper Cassette 1	Paper Cassette 2	Rear Paper Feed Slot		
Epson Bright White Ink Jet Paper	A4	–	80 ^{*3}	1	Auto, Manual	–
Epson Ultra Glossy Photo Paper	A3	–	–	1	–	✓
	A4	–	20	1		
	13×18 cm (5×7 in.), 10×15 cm (4×6 in.)	20	20	1		
Epson Premium Glossy Photo Paper	A3	–	–	1	–	✓
	A4	–	20	1		
	13×18 cm (5×7 in.), 16:9 wide size (102×181 mm), 10×15 cm (4×6 in.)	20	20	1		
Epson Premium Semigloss Photo Paper	A3	–	–	1	–	✓
	A4	–	20	1		
	Epson Photo Paper Glossy	13×18 cm (5×7 in.), 10×15 cm (4×6 in.)	20	20		
Epson Matte Paper-Heavyweight	A3	–	–	1	–	✓
	A4	–	20	1		
Epson Double-Sided Matte Paper	A4	–	1	–	Auto, Manual	✓
Epson Photo Quality Ink Jet Paper	A3	–	–	1	–	–
	A4	–	80	1		
Epson Iron-On Cool Peel Transfer Paper ^{*4}	A4	–	1	1	–	–
Epson Photo Stickers ^{*4}	A6	1	1	1	–	–

*1 The 2-sided printing feature is not available for the rear paper feed slot.

*2 Borderless printing is not available for 2-sided printing.

*3 For manual 2-sided printing, you can load up to 30 sheets for paper with one side already printed.

Loading Paper

*4 Only printing from computer is available.

Note:

The availability of paper varies by location. For the latest information on paper available in your area, contact Epson support.

Commercially Available Paper

Media Name	Size	Loading Capacity (Sheets or Envelopes)			2-Sided Printing*1	Borderless Printing
		Paper Cassette 1	Paper Cassette 2	Rear Paper Feed Slot		
Plain paper*2	A3, B4*3	–	–	1	–	–
	Letter*3, A4, B5 *3	–	Up to the line indicated by the triangle symbol on the edge guide.*4	1	Auto, Manual	
	A5	–		1	Manual	
	Legal *3	–	1	1	Manual	
	A6*3	20	20	1	Manual	
	User Defined*3	–	1*5	1	Manual	
Envelope *3	Envelope #10, Envelope DL, Envelope C6	–	10	1	–	

*1 The 2-sided printing feature is not available for the rear paper feed slot.

*2 Use the rear paper feed slot to load pre-punched paper.

*3 Only printing from computer is available.

*4 For manual 2-sided printing, you can load up to 30 sheets for paper with one side already printed.

*5 Use the rear paper feed slot to load paper longer than A4 size.

Related Information

- ➔ [“Part Names and Functions” on page 14](#)
- ➔ [“Technical Support Web Site” on page 165](#)

List of Paper Types

To obtain optimum printing results, select the paper type that suits the paper.

Loading Paper

Media Name	Media Type	
	Control Panel	Printer Driver, Smart device *2
Epson Bright White Ink Jet Paper*1	plain papers	plain papers
Epson Ultra Glossy Photo Paper*1	Ultra Glossy	Epson Ultra Glossy
Epson Premium Glossy Photo Paper*1	Prem. Glossy	Epson Premium Glossy
Epson Premium Semigloss Photo Paper*1	Prem. Semigloss	Epson Premium Semigloss
Epson Photo Paper Glossy*1	Glossy	Photo Paper Glossy
Epson Matte Paper-Heavyweight*1 Epson Double-Sided Matte Paper*1	Matte	Epson Matte
Epson Photo Quality Ink Jet Paper*1	Photo Quality IJ	Epson Photo Quality Ink Jet
Epson Iron-On Cool Peel Transfer Paper	plain papers	plain papers
Epson Photo Stickers*1	Photo Stickers	Epson Photo Stickers
Plain paper*1	plain papers	plain papers
Envelope	Envelope	Envelope


*1 These paper types are compatible with Exif Print and PRINT Image Matching when printing from the printer driver. For more details, see the documentation provided with the Exif Print or PRINT Image Matching compatible digital camera.

*2 For smart devices, these media types can be selected when printing using Epson iPrint.

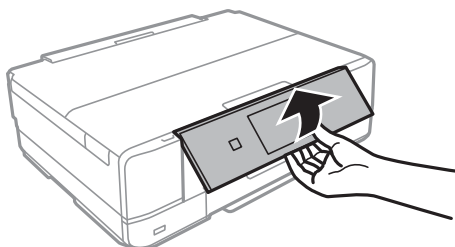
Loading Paper in the Paper Cassette 1

You can load small size photo paper. If you load the same paper in paper cassette 2 and select **Cassette 1->2** as the **Paper Source** setting in the print settings, the printer automatically feeds paper from paper cassette 2 when paper runs out in paper cassette 1.

Note:

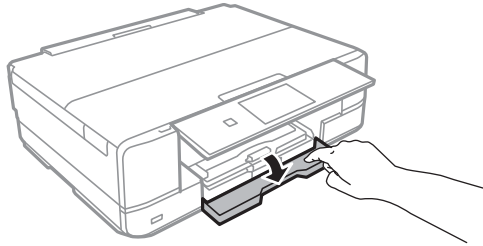
When the output tray is ejected, check that there is no paper on the tray, and then close it by pressing the  button or pushing it with your hand.


1. Raise the control panel.

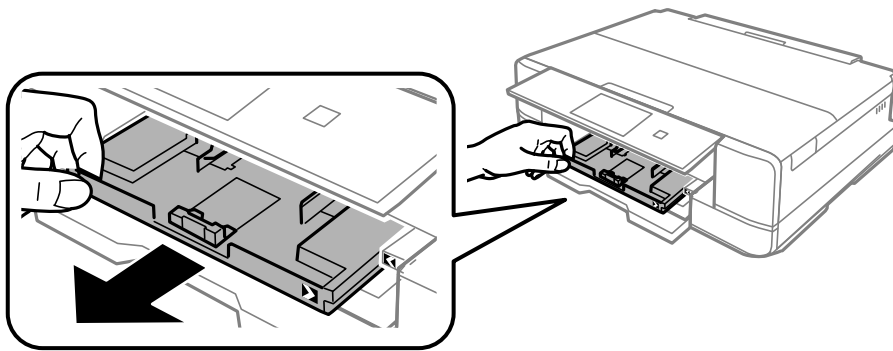


Loading Paper

2. Open the front cover until it clicks.



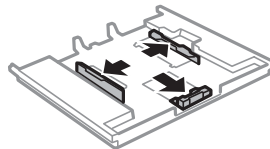
3. Check that the printer is not operating, and then pull out paper cassette 1. Paper cassette 1 has an alignment mark  that allows you to locate it easily.



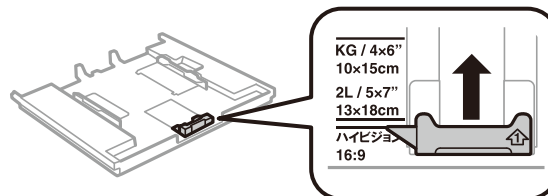
Important:

If paper cassette 1 is too far inside the printer, turn the printer off and on again.

4. Slide the edge guides to their maximum position.

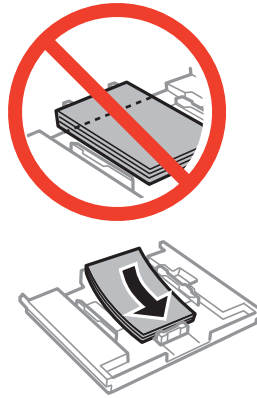


5. Slide the front edge guide to the paper size you want to use.



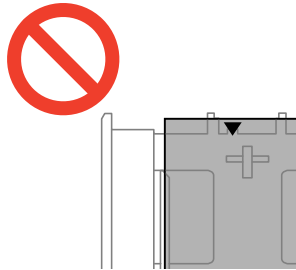
Loading Paper

6. With the printable side facing down, load paper against the front edge guide.



! **Important:**

- ❑ Make sure the paper does not extend beyond the triangle symbol at the end of the cassette.

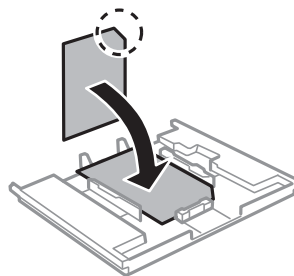


- ❑ Do not load more than the maximum number of sheets specified for the paper. Do not load paper above the line indicated by the triangle symbol on the edge guide.



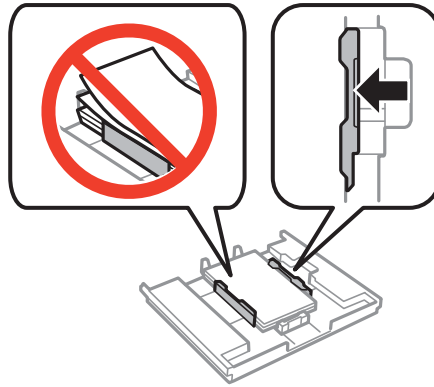
- ❑ Photo Sticker sheet

Follow the instructions supplied with the stickers to load one sheet of Photo Stickers. Do not load the loading support sheets into this product.

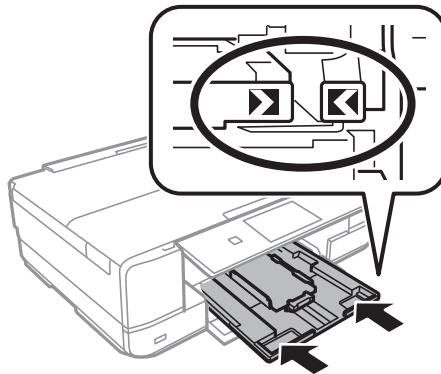


Loading Paper

7. Slide the right edge guide to the edge of the paper.



8. Insert paper cassette 1. Line up the alignment marks on the printer and the tray.



9. Check the paper size and paper type settings displayed on the control panel. To use the settings, press **Confirm**. To change the settings, press **Change**, and then go to the next step.

Note:

The paper setting screen is not displayed if you have disabled **Paper Configuration** in the following menus.

Setup > Printer Setup > Paper Source Setting > Paper Configuration


10. Select the paper size and then select the paper type on the next screen.

11. Check the paper settings you selected, and then press **Done**.

Note:

- You can also display the paper size and paper type settings screen by selecting the paper source in the following menus.

Setup > Printer Setup > Paper Source Setting > Paper Setup

- The output tray slides out automatically when printing starts. To eject the tray before printing starts, press the  button.


Related Information

- ➔ [“Paper Handling Precautions” on page 21](#)
- ➔ [“Available Paper and Capacities” on page 22](#)
- ➔ [“Menu Options for Paper and Print Settings” on page 53](#)

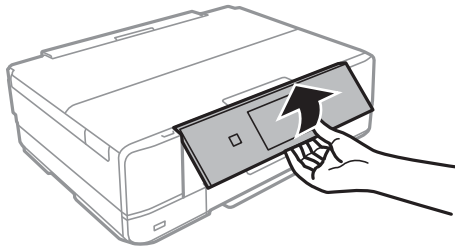
Loading Paper in the Paper Cassette 2

You can load almost any type of paper. We recommend loading A4 size plain paper as this is used frequently. If you load the same paper in paper cassette 1 and select **Cassette 1->2** as the **Paper Source** setting in the print settings, the printer automatically feeds paper from paper cassette 2 when paper runs out in paper cassette 1.

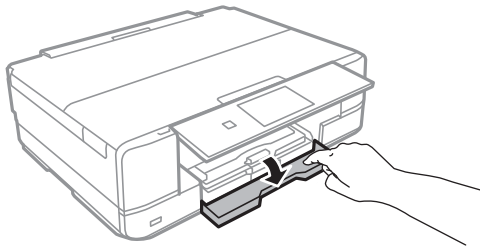
Note:

When the output tray is ejected, check that there is no paper on the tray, and then close it by pressing the  button or pushing it with your hand.

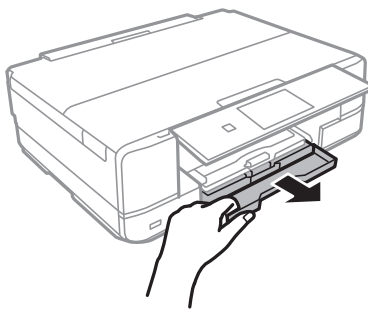
1. Raise the control panel.



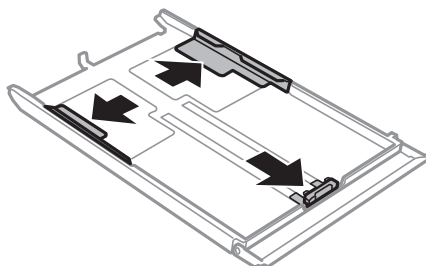
2. Open the front cover until it clicks.



3. Check that the printer is not operating, and then pull out paper cassette 2.

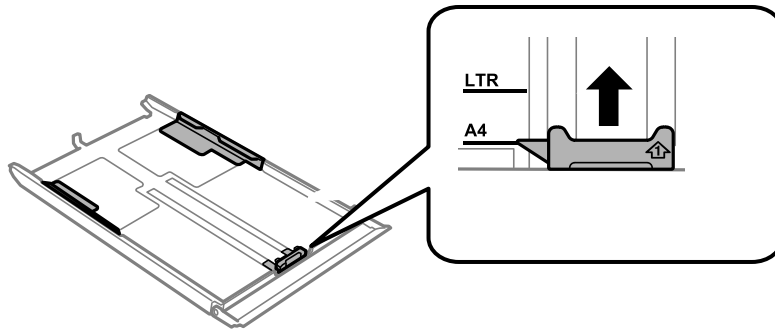


4. Slide the edge guides to their maximum position.

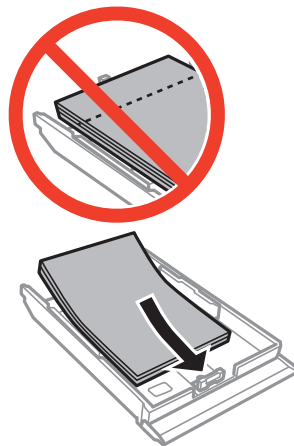


Loading Paper

5. Slide the front edge guide to the paper size you want to use.

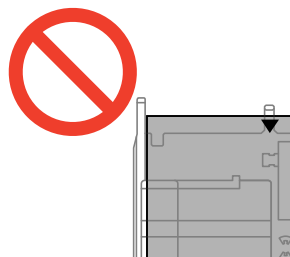


6. With the printable side facing down, load paper against the front edge guide.

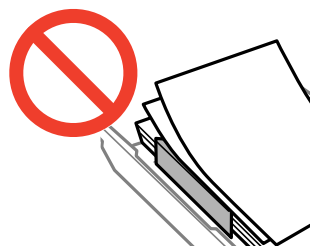


! *Important:*

- ❑ *Make sure the paper does not extend beyond the triangle symbol at the end of the cassette.*

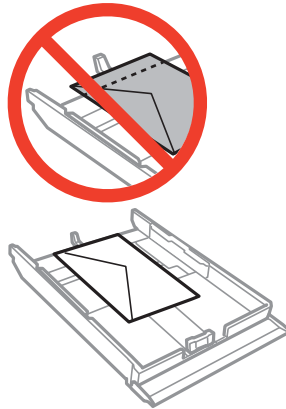


- ❑ *Do not load more than the maximum number of sheets specified for the paper. For plain paper, do not load above the line indicated by the triangle symbol on the edge guide.*



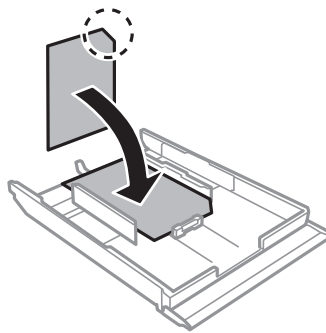
Loading Paper

❑ Envelopes

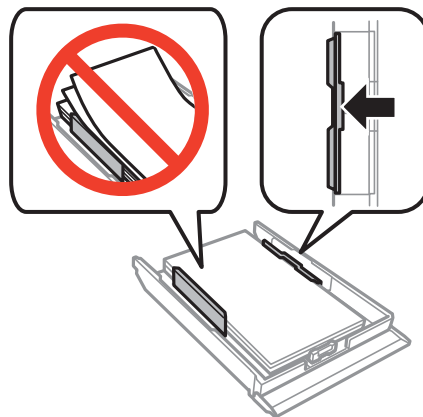


❑ Photo Sticker sheet

Follow the instructions supplied with the stickers to load one sheet of Photo Stickers. Do not load the loading support sheets into this product.

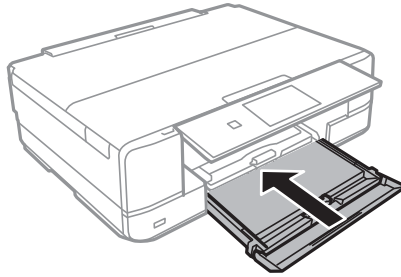


7. Slide the right edge guide to the edge of the paper.



Loading Paper

8. Insert paper cassette 2.



9. Check the paper size and paper type settings displayed on the control panel. To use the settings, press **Confirm**. To change the settings, press **Change**, and then go to the next step.

Note:

The paper setting screen is not displayed if you have disabled **Paper Configuration** in the following menus.


Setup > Printer Setup > Paper Source Setting > Paper Configuration

10. Select the paper size and then select the paper type on the next screen.
11. Check the paper settings you selected, and then press **Done**.

Note:

You can also display the paper size and paper type settings screen by selecting the paper source in the following menus.

Setup > Printer Setup > Paper Source Setting > Paper Setup

The output tray slides out automatically when printing starts. To eject the tray before printing starts, press the  button.

Related Information


- ➔ [“Paper Handling Precautions” on page 21](#)
- ➔ [“Available Paper and Capacities” on page 22](#)
- ➔ [“Menu Options for Paper and Print Settings” on page 53](#)

Loading Paper in the Rear Paper Feed Slot

You can load a single sheet of all types of supported paper in the rear paper feed slot. You can also load thick paper (up to 0.6 mm thick) and pre-punched paper, which cannot be loaded in the paper cassette. However, even if the thickness is within this range, some paper may not be fed correctly depending on the hardness.

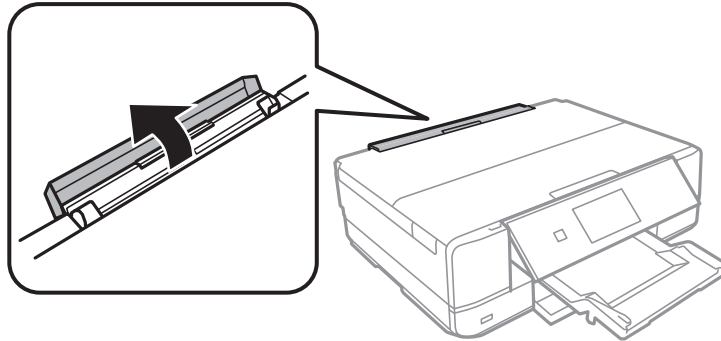
 **Important:**

Do not load paper in the rear paper feed slot until the printer prompts you to do so. Doing so will result in the blank paper being ejected.

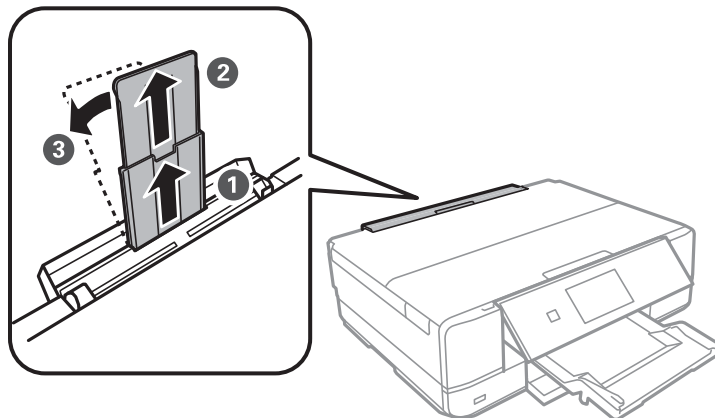
1. Do one of the following.
 - When printing from the control panel: Select rear paper feed slot as the **Paper Source** setting, make other print settings, and then press the  button.

Loading Paper

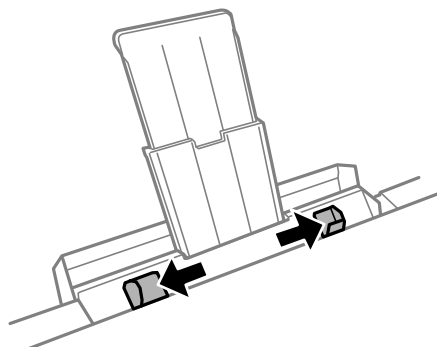
- ❑ When printing from a computer: Select rear paper feed slot as the **Paper Source** setting, make other print settings, and then click **Print**.
- 2. A message is displayed on the screen telling you that the printer is preparing, and then you are instructed to load paper. Follow the instructions below to load the paper.
- 3. Open the rear paper feed slot cover.



- 4. Slide out the paper support and tilt the support back until it is fixed in place.

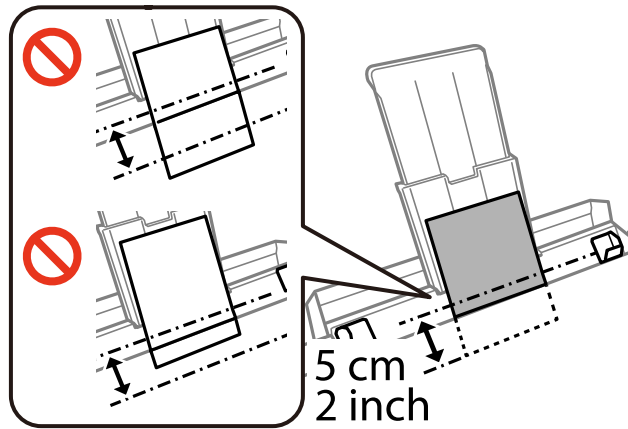


- 5. Slide out the edge guides.



Loading Paper

6. Load a single sheet of paper at the center of the rear paper feed slot with the printable side facing up, and then insert it approximately 5 cm into the printer. You hear a beep when the paper is set correctly.

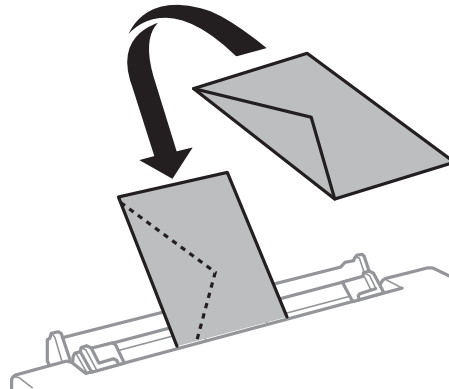


Note:

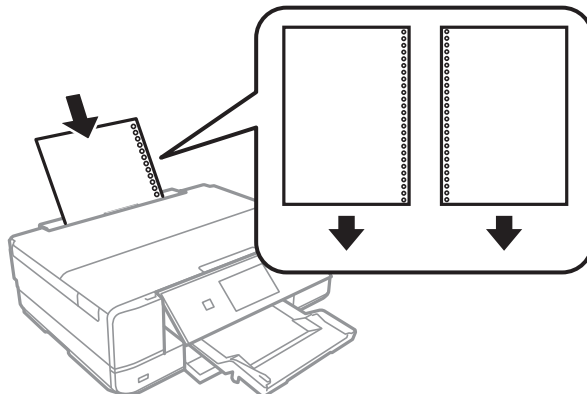
The beep does not sound if you have disabled **Button Press** in the following menus.

Setup > Printer Setup > Sound > Button Press

- Envelopes



- Pre-punched paper

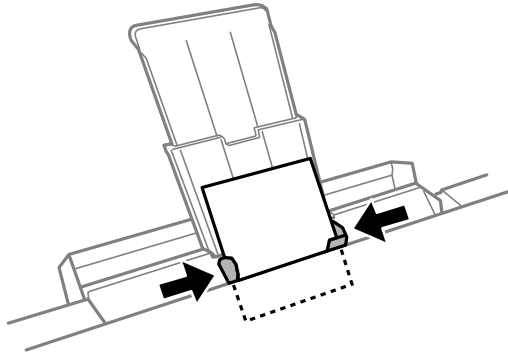



Note:

- Load a single sheet of paper without binding holes at the top and bottom.
- Adjust the print position of your file to avoid printing over the holes.

Loading Paper

7. Slide the edge guides to the edges of the paper.



8. Press the  button to start printing.

Related Information

- ➔ [“Paper Handling Precautions” on page 21](#)
- ➔ [“Available Paper and Capacities” on page 22](#)

Placing Originals on the Scanner Glass

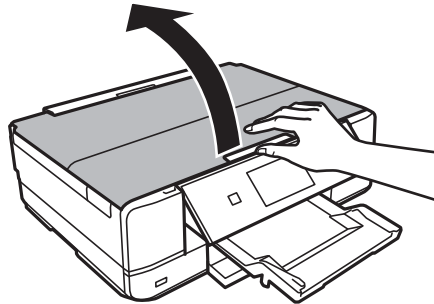
Placing Originals on the Scanner Glass



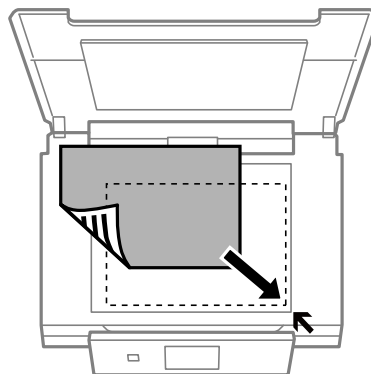
Important:

When placing bulky originals such as books, prevent exterior light from shining directly onto the scanner glass.

1. Open the document cover.



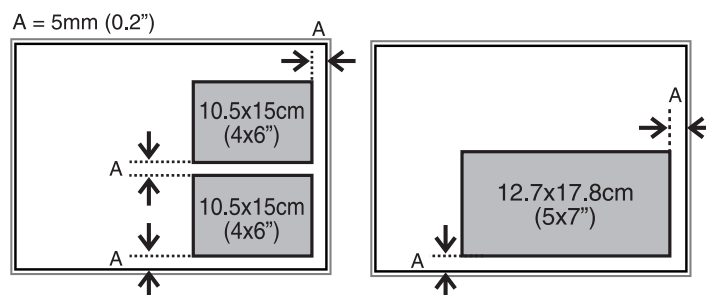
2. Remove any dust or stains on the scanner glass.
3. Place the original face-down and slide it to the corner mark.



Note:

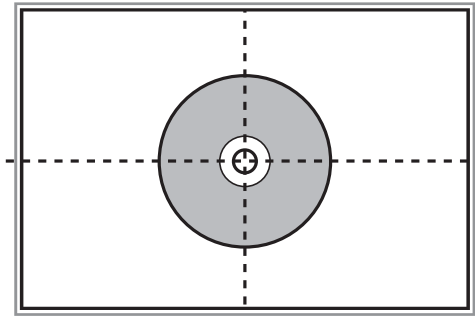
A range of 1.5 mm from the edges of the scanner glass is not scanned.

- ❑ When copying photos, place the photos 5 mm away from the corner mark of the scanner glass.
You can place up to two photos at the same time (depending on the size). Leave 5 mm between photos.
You can place photos of different sizes at the same time. The photos should be larger than 30 × 40mm.



Placing Originals on the Scanner Glass

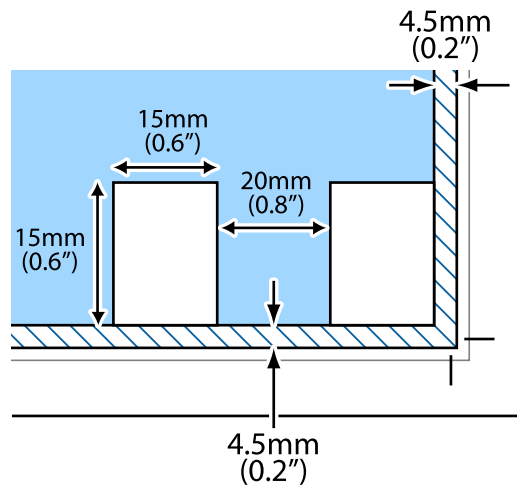
- ❑ To copy a CD/DVD label, place the CD/DVD in the center of the scanner glass. If the CD/DVD is not placed exactly in the center, the positioning is automatically adjusted.



- ❑ If you are scanning using **Full Auto Mode** or thumbnail preview in EPSON Scan, place the original 4.5 mm away from the corner mark of the scanner glass.

Place multiple photos at least 20 mm apart from each other.

The photos should be larger than 15 × 15 mm.




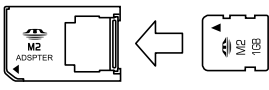
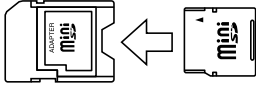



4. Close the cover gently.

Note:

Remove the originals after scanning or copying. If you leave the originals on the scanner glass for a long time, they may stick to the surface of the glass.

Inserting a Memory Card

Supported Memory Cards

	<p>Memory Stick Duo Memory Stick PRO Duo Memory Stick PRO-HG Duo MagicGate Memory Stick Duo</p>
	<p>Memory Stick Micro*</p>
	<p>miniSD* miniSDHC* microSD* microSDHC* microSDXC*</p>
	<p>SD SDHC SDXC</p>
	<p>CompactFlash</p>
	<p>Microdrive</p>

* Attach an adapter to fit the memory card slot. Otherwise, the card may get stuck.

Related Information

➔ [“Supported Memory Card Specifications” on page 158](#)

Inserting and Removing a Memory Card

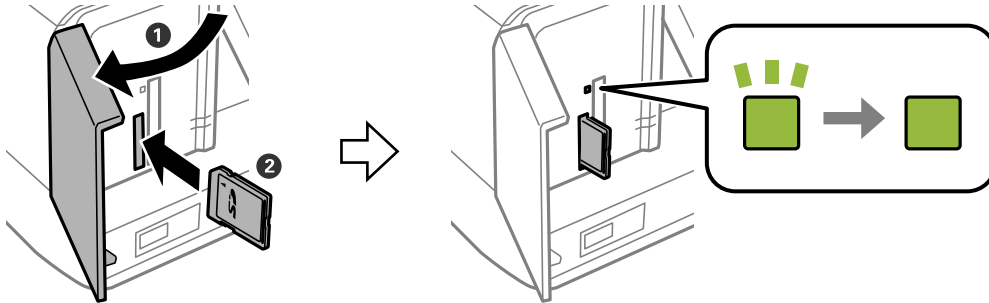
1. Insert a memory card into the printer.

The printer starts reading the data and the light flashes. When reading is complete, the light stops flashing and remains on.

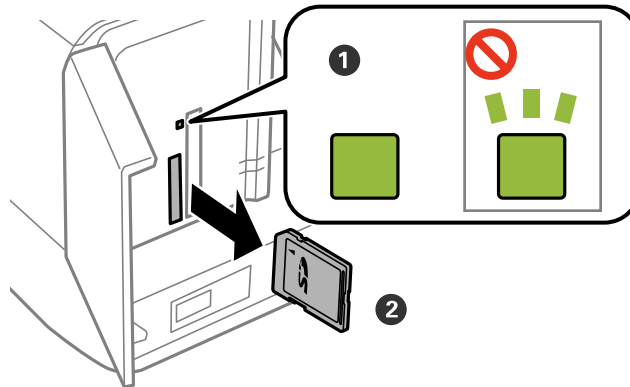
Inserting a Memory Card

! *Important:*

Do not try to force the card all the way into the slot. It should not be fully inserted.



2. When you have finished using the memory card, make sure the light is not flashing, and then remove the card.



! *Important:*

If you remove the memory card while the light is flashing, the data in the memory card may be lost.

Note:

If you access the memory card from a computer, you need to operate the computer to safely remove the removable device.

Related Information

- ➔ [“Accessing a Memory Card From a Computer” on page 164](#)

Loading a CD/DVD for Printing

Printable CD/DVDs

You can print on a circular 12-cm CD/DVD labelled as suitable for printing, for example "printable on the label surface" or "printable with ink jet printers." To print on a CD/DVD with a higher quality print surface, select **CD/DVD Premium Surface** as the **Paper Type** in the printer driver.

You can also print on Blu-ray Discs™.

CD/DVD Handling Precautions

- See the documentation provided with your CD/DVD for more information on handling the CD/DVD or writing data.
- Do not print on the CD/DVD before writing your data to it. If you do, fingerprints, dirt, or scratches on the surface may cause errors while writing data.
- Depending on the CD/DVD type or printing data, smearing may occur. Try making a test print on a spare CD/DVD. Check the printed surface after waiting for one full day.
- Compared to printing on genuine Epson paper, the print density is lowered to prevent ink from smearing on the CD/DVD. Adjust the print density as necessary.
- Allow the printed CD/DVDs at least 24 hours to dry avoiding direct sunlight. Do not stack or insert the CD/DVDs into your device until they are completely dry.
- If the printed surface is sticky even after it has dried, lower the print density.
- Reprinting on the same CD/DVD may not improve the print quality.
- If the CD/DVD tray or the internal transparent compartment are accidentally printed on, immediately wipe off the ink.
- Depending on the print area setting, the CD/DVD or CD/DVD tray may get dirty. Make settings to print on the printable area.

Related Information

➔ [“Printable Area for CD/DVD” on page 156](#)


Loading a CD/DVD

Important:

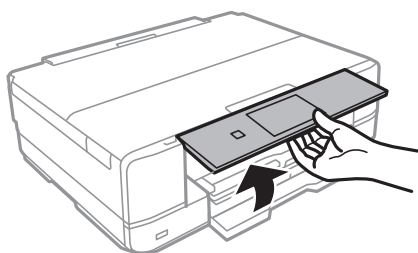
- Before printing on the CD/DVD, see the CD/DVD handling precautions.
- Do not insert the CD/DVD tray while the printer is operating. This may damage the printer.
- Do not insert the CD/DVD tray until you are instructed to do so. Otherwise, an error occurs and the CD/DVD is ejected.

Loading a CD/DVD for Printing

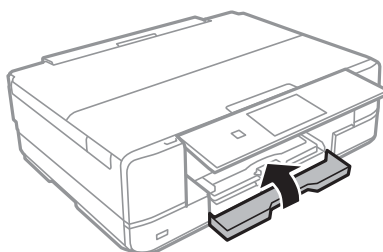
Note:

When the output tray is ejected, check that there is no paper on the tray, and then close it by pressing the  button or pushing it with your hand.

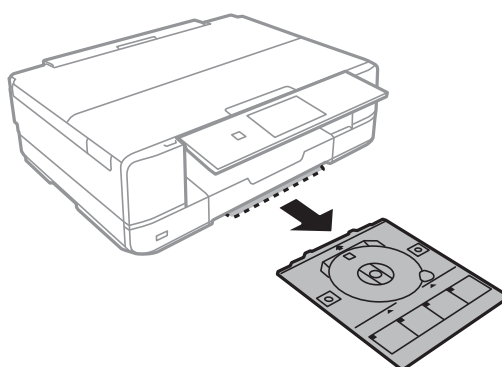
1. Send print data from a computer, or select a menu to print on the CD/DVD and follow the on-screen instructions on the control panel.
2. A message is displayed on the screen telling you that the printer is preparing, and then you are instructed to load a CD/DVD. Follow the instructions below to load the CD/DVD.
3. Raise the control panel.



4. Close the front cover.

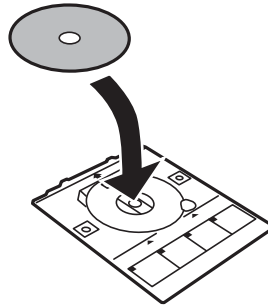


5. Remove the CD/DVD tray from the bottom of the printer

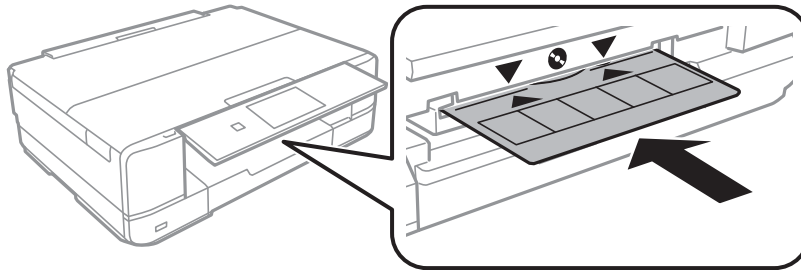


Loading a CD/DVD for Printing

6. Place a CD/DVD on the CD/DVD tray with the printable side face-up. Press the center of the CD/DVD to securely set it on the tray.



7. Insert the CD/DVD tray into the printer. Line up the alignment marks on the printer and the tray.



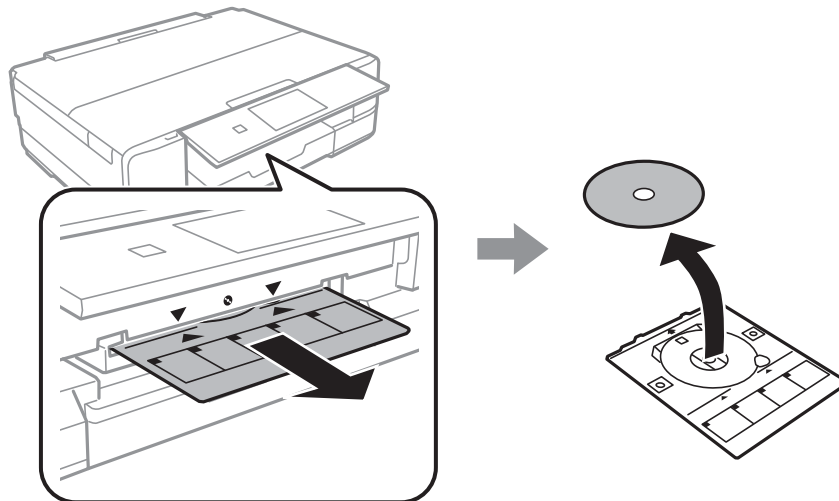
8. Select **Ready**, and then touch **OK**.

Related Information

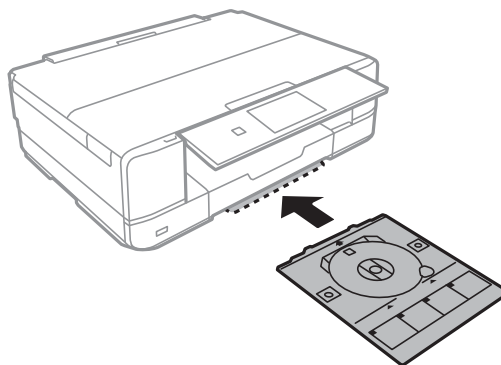
- ➔ [“Printable CD/DVDs” on page 39](#)
- ➔ [“CD/DVD Handling Precautions” on page 39](#)
- ➔ [“Printing Photos from a Memory Card onto a CD/DVD Label” on page 44](#)
- ➔ [“Printing a CD/DVD Label with Epson Print CD” on page 73](#)
- ➔ [“Copying on a CD/DVD Label” on page 84](#)

Removing a CD/DVD

1. Remove the CD/DVD tray when it is ejected automatically after printing, and then remove the CD/DVD from the tray.



2. Touch **OK**.
3. Insert the CD/DVD tray back into the slot on the bottom of the printer.



! *Important:*

After printing is finished, make sure you remove the CD/DVD tray and store it at the bottom of the printer. If you do not remove the tray and turn the printer on or off, or run head cleaning, the CD/DVD tray will strike the print head and may cause the printer to malfunction.

Related Information

➔ [“CD/DVD Handling Precautions” on page 39](#)

Printing

When printing on A3-size paper, use of large capacity Epson genuine ink cartridges is highly recommended to avoid a situation that you are prompted to replace ink cartridges in the middle of printing. If you replace ink cartridges in the middle of printing, you may need to start over the printing again.

Related Information


➔ [“Ink Cartridge Codes” on page 97](#)

Printing from the Control Panel


Printing Photos by Selecting from a Memory Card

1. Load paper in the printer.

 **Important:**

- When loading in the paper cassette, make the paper settings on the control panel.
- When loading in the rear paper feed slot, do not load paper now. When you select the rear paper feed slot as the paper source setting, and then press the  button, the printer will prompt you to load paper. Follow the instructions to load the paper.

2. Insert a memory card into the printer.

 **Important:**


Do not remove the memory card until you have finished printing.

Note:

Remove the memory card when printing from an external storage device such as a hard disk or USB flash memory.

3. Select **Print Photos** on the control panel.
4. Select a photo you want to print from the screen displaying a thumbnail view.









Note:



- If you have a lot of photos on your memory card, you can sort photos to select them easily by pressing **Options** > **Browse**.
- You can change the number of photos displayed in thumbnail view by pressing .

Printing

- Set the number of copies using - or +. When printing more than one photo, select a photo using ◀ or ▶, and then repeat this procedure.

Note:

- ❑ If you want to show a photo without indicators, such as buttons when one photo is displayed on a screen, press anywhere on the screen except for the buttons. Press anywhere again to show the buttons.
- ❑ You can display Exif information such as the shooting date and shutter speed by pressing  on the upper right side of the screen.
- ❑ Press **Edit**, and then select **Crop/Zoom** to crop a part of a photo. Use , , , or  on the screen to move the frame to the area you want to crop, and then press  or  to change the size of the frame. Press  to rotate the frame.

- Press **Settings** to make the paper and print settings.
- Press the  button. When printing from the rear paper feed slot, press the  button, and then load paper when you are instructed to do so.

Related Information

- ➔ [“Ink Cartridge Codes” on page 97](#)
- ➔ [“Loading Paper in the Paper Cassette 1” on page 24](#)
- ➔ [“Loading Paper in the Paper Cassette 2” on page 28](#)
- ➔ [“Loading Paper in the Rear Paper Feed Slot” on page 31](#)
- ➔ [“List of Paper Types” on page 23](#)
- ➔ [“Inserting a Memory Card” on page 37](#)
- ➔ [“Menu Options for Printing from the Control Panel” on page 51](#)

Printing Photos from a Memory Card onto a CD/DVD Label

You can select photos stored on a memory card to print onto a CD/DVD label.

- Insert a memory card into the printer.



Important:

Do not remove the memory card until you have finished printing.

- Select **More Functions** > **Print on CD/DVD** on the control panel.
- Select the layout.
- Check the screen, and then press **Proceed**. For **CD/DVD 4-up**, select whether to place photos automatically or manually.

Printing

- Select a photo, set the number of copies, and then press **Proceed**. When placing photos manually for **CD/DVD 4-up**, after displaying the photo you want to print using ◀ or ▶, press **Place Photo**. If you want to leave a blank space, press **Leave Blank**.

Note:

- ❑ *The available number of copies is displayed at the top of the screen where you select the photos you want to print and the number of copies. You can select photos until 0 is indicated.*
- ❑ *Press **Edit**, and then select **Crop/Zoom** to crop a part of a photo. Use ▲, ▼, ◀, or ▶ on the screen to move the frame to the area you want to crop, and then press Ⓜ or Ⓡ to change the size of the frame.*

- Set the outer and inner diameter using ▲ or ▼, and then press **Proceed**.

Note:

You can set 114 to 120 mm as the outer diameter, and 18 to 46 mm as the inner diameter in 1 mm increments.

- Select **Print on a CD/DVD**.

Note:

*For test printing, select **Test print on A4 paper**, and then load A4 plain paper in the paper cassette. You can check the printout image before printing on a CD/DVD label.*

- A message is displayed on the screen telling you that the printer is getting ready. You are then instructed to load a CD/DVD. Press ▼ to check the instructions and load a CD/DVD.
- Press **Ready**, a message is displayed telling you that the printer is ready, and then press **OK**.
- Change the print density settings as necessary.
- Press the ◊ button.
- When printing has finished, the CD/DVD tray is ejected. Remove the tray from the printer, and then press **OK**.
- Remove the CD/DVD and store the CD/DVD tray on the bottom of the printer.

Related Information

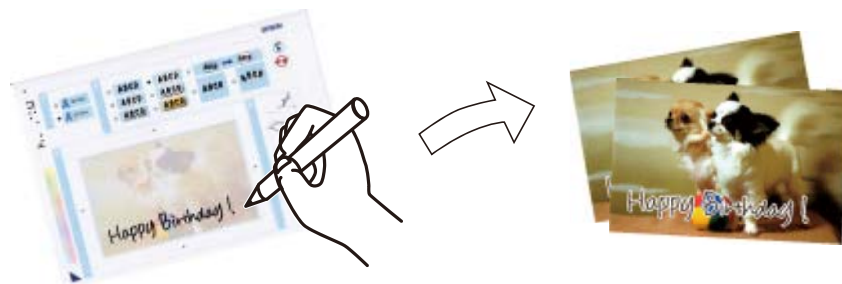
- ➔ [“Inserting a Memory Card” on page 37](#)
- ➔ [“Loading a CD/DVD” on page 39](#)
- ➔ [“Removing a CD/DVD” on page 42](#)
- ➔ [“Menu Options for Printing from the Control Panel” on page 51](#)

Printing Photos from a Memory Card with Handwritten Notes

You can print a photo on a memory card with handwritten text or drawings. This allows you to create original cards such as New Year's cards or birthday cards.

Printing

First select a photo and print a template on plain paper. Write or draw on the template and then scan it with the printer. You can then print the photo with your own personal notes and drawings.



1. Insert a memory card into the printer.

! **Important:**

Do not remove the memory card until you have finished printing.

2. Select **More Functions** > **Greeting Card** > **Select Photo and Print Template** on the control panel.
3. Select a photo on the screen displaying a thumbnail view, and then press **Proceed**.
4. Make print settings such as the paper type or layout for printing a photo with handwritten notes, and then press **Proceed**.
5. Load A4-size plain paper in paper cassette 2 to print a template.

! **Important:**

Make the paper settings on the control panel.

6. Press the **◇** button to print a template.
7. Follow the instructions on the template to write and draw.
8. Press **▲** to close the output tray. Load photo paper in paper cassette 1.

! **Important:**

Make the paper settings on the control panel.

9. Select **Print Greeting Cards from Template**.
10. Check the screen, place the written template on the scanner glass, and then press **Proceed**.

Note:

Make sure that the text on the template is completely dry before placing it on the scanner glass. If there are stains on the scanner glass, the stains are also printed on the photo.

11. Set the number of copies, and then press the **◇** button.

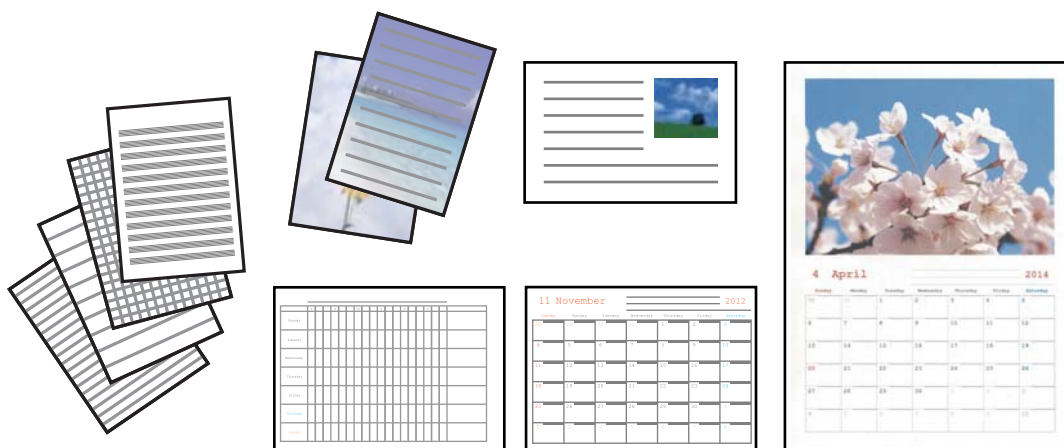
Printing

Related Information

- ➔ “Inserting a Memory Card” on page 37
- ➔ “Menu Options for Printing from the Control Panel” on page 51
- ➔ “Loading Paper in the Paper Cassette 2” on page 28
- ➔ “Loading Paper in the Paper Cassette 1” on page 24
- ➔ “List of Paper Types” on page 23
- ➔ “Placing Originals on the Scanner Glass” on page 35


Printing Original Writing Paper and Calendars

You can easily print lined paper, calendars, original writing paper and greeting cards using the **Personal Stationery** menu.



1. Load paper in the printer.

! **Important:**

- When loading in the paper cassette, make the paper settings on the control panel.
- When loading in the rear paper feed slot, do not load paper now. When you select the rear paper feed slot as the paper source setting, and then press the  button, the printer will prompt you to load paper. Follow the instructions to load the paper.

2. To print writing paper, greeting cards, or a monthly calendar using a photo on your memory card, insert the memory card into the printer.
3. Select **More Functions** > **Personal Stationery** from the home screen.
4. Select a menu item.

Note:

When printing greeting cards, you can add an image stored in the printer instead of using a photo on your memory card. To add an image stored in the printer, select **Template Art**.

5. Follow the on-screen instructions to print.

Printing

Related Information

- ➔ “Loading Paper in the Paper Cassette 2” on page 28
- ➔ “Loading Paper in the Rear Paper Feed Slot” on page 31
- ➔ “List of Paper Types” on page 23
- ➔ “Inserting a Memory Card” on page 37
- ➔ “Menu Options for Printing Original Writing Paper and Calendars” on page 48
- ➔ “Menu Options for Printing from the Control Panel” on page 51

Menu Options for Printing Original Writing Paper and Calendars

Lined Papers

Prints some types of lined paper, graph paper, or music paper.

Writing Papers

Prints some types of writing paper with a photo from the memory card set as the background. The photo is printed lightly so that it can be easily written on.

Calendar

Prints a weekly or monthly calendar. Select the year and the month for the monthly calendar.

Message Card

Prints a greeting card using images from the printer or images on the memory card.

Image Position

Select where you want to place the image on the greeting card.

Line Type

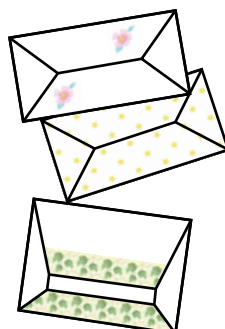
Select the type of ruled line to print on the greeting card.

Line Color


Select the color of the ruled line to print on the greeting card.

Printing Original Envelopes

You can create original envelopes by adding an image stored in the printer using the **Personal Stationery** menu. You can use the same image to print greeting cards that match the envelopes.



Printing

1. Enter **More Functions** from the home screen.
2. Select **Personal Stationery**.
3. Select **Origami**.
4. Select **Origami Envelope**.
5. Select the image you want to print on the envelopes.
6. Change the image position and the fold line settings as necessary.
7. Press **Proceed**.
A screen indicating the print position of the image, and whether to print fold lines is displayed.
8. Check the settings, and then press **Proceed**.
9. Select the size of the envelopes.
10. Load A4 plain paper in the paper cassette, and then press **Proceed**.
11. Set the number of copies, and then press the  button.

Related Information


➔ [“Loading Paper in the Paper Cassette 2” on page 28](#)

Folding Envelopes

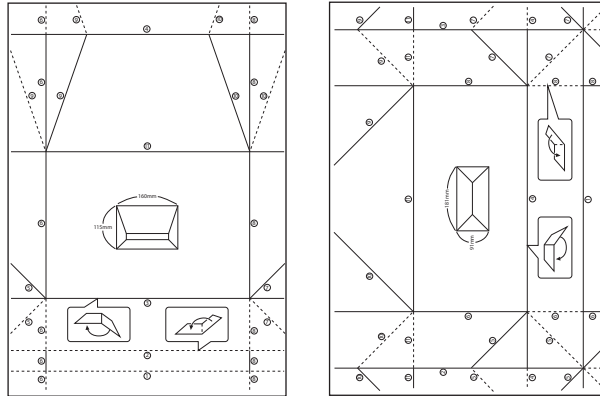
After printing a diagram of an envelope, print an instruction sheet that shows you how to fold the envelope, and then lay the instruction sheet on top of the diagram and fold them together.

1. Select **Origami Envelope Instruction** from the **Origami** menu.
2. Select the envelope size that you selected when printing the envelope diagram.
3. Load A4 plain paper in the paper cassette, and then press **Proceed**.

Printing

4. Set the number of copies, and then press the  button.

The following instruction sheet is printed.



5. Lay the instruction sheet on top of the envelope diagram, and then fold them together following the instructions on the instruction sheet.
6. When finished, unfold them and remove the instruction sheet, and then fold only the envelope diagram again along its creases.

Printing Photos Using Other Features

This section introduces the other printing features available using the control panel.

Printing in Various Layouts

You can print the photos on your memory card in various layouts such as 2-up, 4-up, and upper half.



Select **More Functions** > **Photo Layout Sheet** from the home screen, and then follow the on-screen instructions to print.

Related Information

➔ [“Menu Options for Printing from the Control Panel” on page 51](#)

Printing

Printing a Coloring Book

You can print a coloring sheet by extracting only the outline of photos or illustrations. This allows you to create unique coloring books.



Note:

Unless they are being used for personal use (at home or other restricted areas), you need permission from the copyright holder when using copyright protected originals to create a coloring book.

Select **More Functions** > **Coloring Book**, select whether to scan an original or use a photo on a memory card to print a coloring book, and then follow the on-screen instructions.

Related Information


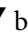

- ➔ [“Menu Options for Selecting Photos” on page 51](#)
- ➔ [“Menu Options for Paper and Print Settings” on page 53](#)

DPOF Printing

This printer is compatible with DPOF (Digital Print Order Format) Ver. 1.10. DPOF is a format that stores additional information for photos such as the date, time, user name, and printing information. DPOF-compatible cameras allow you to set which image on a memory card to print and the number of copies. When the memory card is inserted into the printer, the photos selected by the camera are printed.

Note:

For information on making print settings on your camera, see the documentation provided with your camera.

When you insert a memory card into the printer, a confirmation screen is displayed. Select **Yes** to display the print settings screen. Press the  button to start printing. If you want to change the print settings, display the items using the  or  button, and then make settings. Setting items are the same as in **Print Photos** mode.

Related Information

- ➔ [“Printing Photos by Selecting from a Memory Card” on page 43](#)
- ➔ [“Menu Options for Printing from the Control Panel” on page 51](#)

Menu Options for Printing from the Control Panel

Menu Options for Selecting Photos

Browse

- Browse by Date

Displays the photos on the memory card sorted by date. Select a date to display all photos saved on that date.

Printing

- Cancel Browse

Cancels sorting photos and displays all the photos.

Select Photos

- Select All Photos

Selects all the photos on the memory card and sets the number of prints.

- Cancel Photo Selection

Returns the number of prints of all photos to 0 (zero).

Select Location

Select Folder

If this option is enabled when you connect an external storage device, select a folder.

Menu Options for Photo Adjustment and Zoom

Enhance

Select one of the image adjustment options. **PhotoEnhance** produces sharper images and more vivid colors by automatically adjusting the contrast, saturation, and brightness of the original image data.

- Auto

The printer detects the image content and automatically enhances the image according to the detected content.

- People

Recommended for images of people.

- Landscape

Recommended for images of landscape or scenery.

- Night Scene

Recommended for images of night scenes.

- P.I.M.

Adjusts the image based on the printing information provided by a digital camera compatible with PRINT Image Matching.

- Enhance Off

Turns off the **Enhance** feature.

Scene Detection

Available when selecting **PhotoEnhance** as the **Enhance** setting. Improves the image quality for photos of people, landscapes, and night scenes.

Fix Red-Eye

Fixes red-eye in photos. Corrections are not applied to the original file, only to the printouts. Depending on the type of photo, parts of the image other than the eyes may be corrected.

Printing

Brightness

Adjusts the brightness of the image.

Contrast

Adjusts the difference between the brightness and darkness.

Sharpness

Enhances or defocuses the outline of the image.

Saturation

Adjusts the vividness of the image.

Filter

Prints in sepia or monochrome.

Crop/Zoom

Enlarges a part of the photo to be printed.

Menu Options for Paper and Print Settings

Paper Size

Select the paper size you loaded.

Paper Type

Select the paper type you loaded.

Paper Source

Select the paper source that you want to use.

Layout

Select the layout you want to use.

Quality

Select the print quality. Selecting **Best** provides higher quality printing, but the printing speed may be slower.

Borderless

Prints without margins around the edges. The image is enlarged a little to remove borders from the edges of the paper.

Expansion

With borderless printing, the image is enlarged a little to remove borders from the edges of the paper. Select how much to enlarge the image.

Date

Select the format used to print the date on photos for photos that include the date the photos were taken or the date they were saved. The date is not printed for some layouts.

Printing

Print Info. On Photos

Off

Prints without any information.

Camera Settings

Prints with some Exif information, such as shutter speed, f-ratio, or ISO sensitivity. Unrecorded information is not printed.

Camera Text

Prints text set on the digital camera. For information on the text settings, see the documentation provided with your camera. The information can only be printed in borderless printing on 10×15 cm, 13×18 cm, or 16:9 wide size.

Landmark

Prints the name of the place or landmark where the photo was taken for digital cameras that have the landmark feature. See the website of the manufacturer of your camera for more details. The information can only be printed in borderless printing on 10×15 cm, 13×18 cm, or 16:9 wide size.

Fit Frame

If the aspect ratio of the image data and the paper size is different, the image is automatically enlarged or reduced so that the short sides match the short sides of the paper. The long side of the image is cropped if it extends beyond the long side of the paper. This feature may not work for panorama photos.

Bidirectional

Prints while the print head moves to the left and to the right. If vertical or horizontal ruled lines on your printout look blurred or misaligned, disabling this feature may solve the problem; however, doing so may reduce print speed.

Clear All Settings

Resets the paper and print settings to their defaults.

CD Density

For CD/DVD printing. Set the density to use when printing onto a CD/DVD.

Frame

For greeting card printing. Select the frame you want to print.

Paper Settings

For coloring book printing. Select the paper size and paper type you loaded.

Density

For coloring book printing. Select the level of density for the outlines on the coloring sheet.

Line Detection

For coloring book printing. Select the sensitivity used to detect outlines in the photo.

Printing from a Computer

Printing Basics - Windows

Note:

- See the online help for explanations of the setting items. Right-click an item, and then click **Help**.
- Operations differ depending on the application. See the application's help for details.

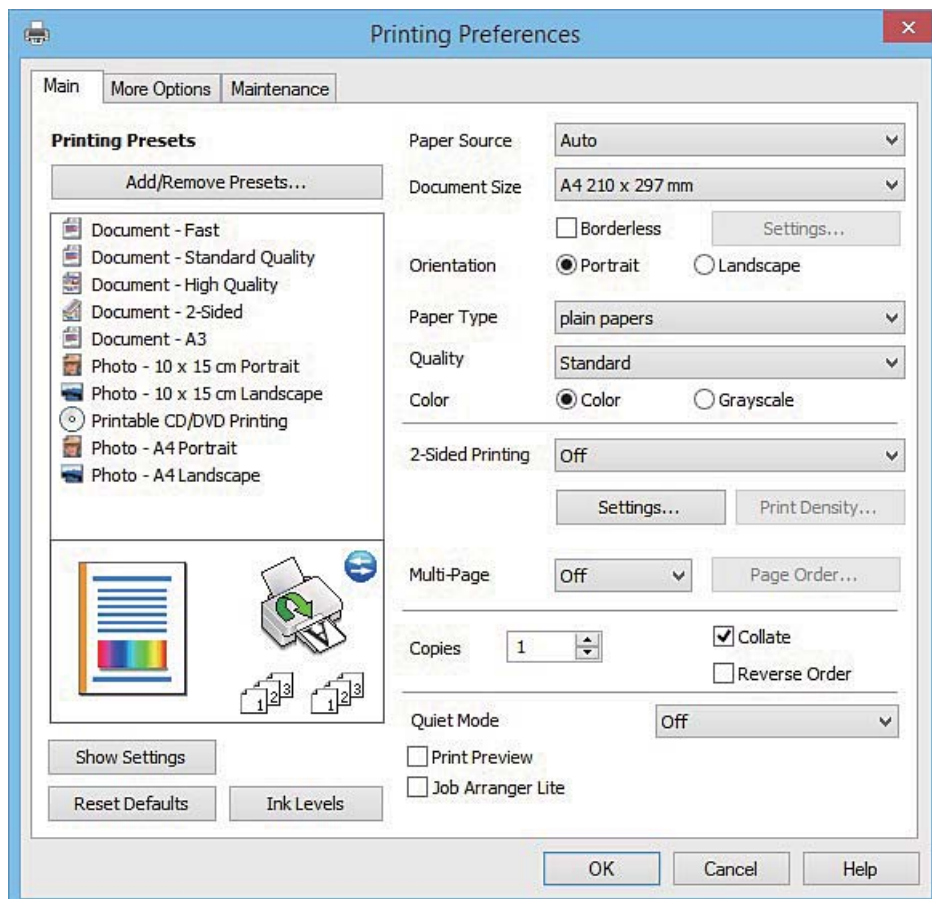
1. Load paper in the printer.



Important:

- When loading in the paper cassette, make the paper settings on the control panel.
- When loading in the rear paper feed slot, start printing from the printer driver before loading paper. Select *Rear Paper Feed Slot* as the Paper Source setting on the printer driver. When printing starts, the printer driver tells you that printing is in progress. Follow the printer's on-screen instructions to load paper.

2. Open the file you want to print.
3. Select **Print** or **Print Setup** from the **File** menu.
4. Select your printer.
5. Select **Preferences** or **Properties** to access the printer driver window.



Printing

6. Make the following settings.

- Paper Source: Select the paper source in which you loaded the paper.
- Document Size: Select the paper size you loaded in the printer.
- Borderless: Select to print with no margins around the image.

In borderless printing, the print data is enlarged slightly more than the paper size so that no margins are printed around the edges of the paper. Click **Settings** to select the amount of enlargement.

- Orientation: Select the orientation you set in the application.
- Paper Type: Select the type of paper you loaded.
- Color: Select **Grayscale** when you want to print in black or shades of gray.

Note:

*When printing on envelopes, select **Landscape** as the **Orientation** setting.*

7. Click **OK** to close the printer driver window.

8. Click **Print**.

Related Information

- ➔ [“Available Paper and Capacities” on page 22](#)
- ➔ [“Loading Paper in the Paper Cassette 1” on page 24](#)
- ➔ [“Loading Paper in the Paper Cassette 2” on page 28](#)
- ➔ [“Loading Paper in the Rear Paper Feed Slot” on page 31](#)
- ➔ [“Guide to Windows Printer Driver” on page 121](#)
- ➔ [“List of Paper Types” on page 23](#)

Printing Basics - Mac OS X

Note:

Explanations in the section use TextEdit as an example. Operations and screens differ depending on the application. See the application's help for details.

1. Load paper in the printer.



Important:

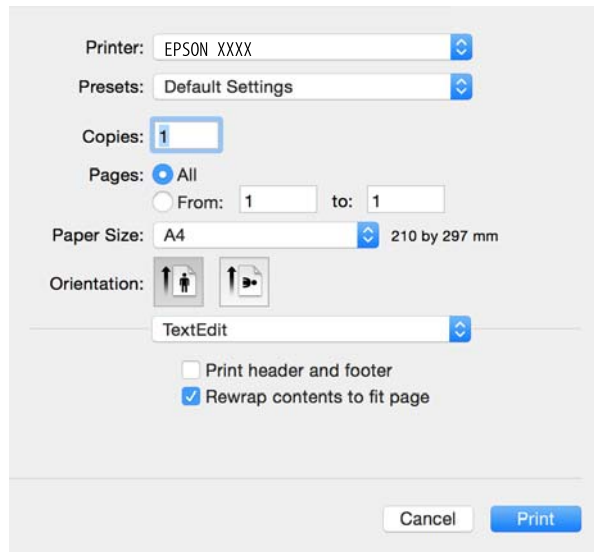
- When loading in the paper cassette, make the paper settings on the control panel.
- When loading in the rear paper feed slot, select **Rear Paper Feed Slot** as the **Paper Source** setting on the printer driver, and then start printing before loading paper. Start printing, click the printer icon in the **Dock** to display the print screen. Follow the printer's on-screen instructions to load paper.

2. Open the file you want to print.

Printing

3. Select **Print** from the **File** menu or another command to access the print dialog.

If necessary, click **Show Details** or ▼ to expand the print window.



4. Make the following settings.

- Printer: Select your printer.
- Presets: Select when you want to use the registered settings.
- Paper Size: Select the paper size you loaded in the printer.
When printing with no margins, select a "borderless" paper size.
- Orientation: Select the orientation you set in the application.

Note:


- If the above setting menus are not displayed, close the print window, select **Page Setup** from the **File** menu, and then make settings.
- When printing on envelopes, select landscape orientation.

Printing

5. Select **Print Settings** from the pop-up menu.

Note:

On Mac OS X v10.8.x or later, if the **Print Settings** menu is not displayed, the Epson printer driver has not been installed correctly.


Select **System Preferences** from the  menu > **Printers & Scanners** (or **Print & Scan, Print & Fax**), remove the printer, and then add the printer again. See the following to add a printer.

<http://epson.sn>

6. Make the following settings.

- Paper Source: Select the paper source in which you loaded the paper.

If you enable the **Automatic Cassette Switching** function, the printer automatically feeds paper from paper cassette 2 when paper runs out in paper cassette 1. Load the same paper (type and size) in paper cassette 1 and paper cassette 2.

To enable the **Automatic Cassette Switching** function, select **System Preferences** from the  menu > **Printers & Scanners** (or **Print & Scan, Print & Fax**), and then select the printer. Make settings on the screen displayed by clicking **Options & Supplies > Options** (or **Driver**).

- Media Type: Select the type of paper you loaded.
- Expansion: Available when selecting a borderless paper size.

In borderless printing, the print data is enlarged slightly more than the paper size so that no margins are printed around the edges of the paper. Select the amount of enlargement.

- Grayscale: Select to print in black or shades of gray.

7. Click **Print**.

Printing

Related Information

- ➔ [“Available Paper and Capacities” on page 22](#)
- ➔ [“Loading Paper in the Paper Cassette 1” on page 24](#)
- ➔ [“Loading Paper in the Paper Cassette 2” on page 28](#)
- ➔ [“Loading Paper in the Rear Paper Feed Slot” on page 31](#)
- ➔ [“Guide to Mac OS X Printer Driver” on page 125](#)
- ➔ [“List of Paper Types” on page 23](#)

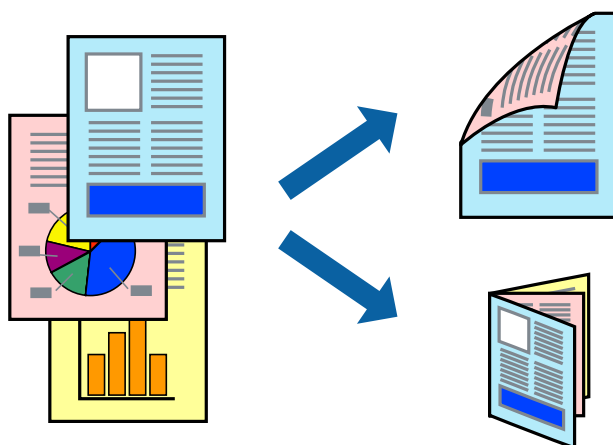
Printing on 2-Sides

You can use either of the following methods to print on both sides of the paper.

- Automatic 2-sided printing
- Manual 2-sided printing (for Windows only)

When the printer has finished printing the first side, flip the paper over to print on the other side.

You can also print a booklet that can be created by folding the printout. (For Windows only)



Note:

- This feature is not available for borderless printing.
- 2-sided printing is not available using the Rear Paper Feed Slot.
- If you do not use paper that is suitable for 2-sided printing, the print quality may decline and paper jams may occur.
- Depending on the paper and the data, ink may bleed through to the other side of the paper.

Related Information

- ➔ [“Available Paper and Capacities” on page 22](#)

Printing on 2-Sides - Windows

Note:

- Manual 2-sided printing is available when **EPSON Status Monitor 3** is enabled. If **EPSON Status Monitor 3** is disabled, access the printer driver, click **Extended Settings** on the **Maintenance** tab, and then select **Enable EPSON Status Monitor 3**.
- Manual 2-sided printing may not be available when the printer is accessed over a network or is used as a shared printer.

Printing

1. Load paper in the printer.
2. Open the file you want to print.
3. Access the printer driver window.
4. Select **Auto (Long-edge binding)**, **Auto (Short-edge binding)**, **Manual (Long-edge binding)**, or **Manual (Short-edge binding)** from **2-Sided Printing** on the **Main** tab.
5. Click **Settings**, make the appropriate settings, and then click **OK**.

Note:

*To print a folded booklet, select **Booklet**.*

6. Click **Print Density**, select the document type from **Select Document Type**, and then click **OK**.

The printer driver automatically sets the **Adjustments** options for that document type.

Note:

*Printing may be slow depending on the combination of options selected for **Select Document Type** in the **Print Density Adjustment** window and for **Quality** on the **Main** tab.*

*For manual 2-sided printing, the **Print Density Adjustment** setting is not available.*

7. Set the other items on the **Main** and **More Options** tabs as necessary, and then click **OK**.

8. Click **Print**.

For manual 2-sided printing, when the first side has finished printing, a pop-up window is displayed on the computer. Follow the on-screen instructions.

Related Information

- ➔ [“Loading Paper in the Paper Cassette 1” on page 24](#)
- ➔ [“Loading Paper in the Paper Cassette 2” on page 28](#)
- ➔ [“Printing Basics - Windows” on page 55](#)

Printing on 2-Sides - Mac OS X

1. Load paper in the printer.
2. Open the file you want to print.
3. Access the print dialog.
4. Select **Two-sided Printing Settings** from the pop-up menu.
5. Select the bindings in **Two-sided Printing**.
6. Select the type of original in **Document Type**.

Note:

*Printing may be slow depending on the **Document Type** setting.*

*If you are printing high-density data such as photos or graphs, select **Text with Photo** or **Photo** as the **Document Type** setting. If scuffing occurs or the image bleeds through to the reverse side, adjust the print density and ink drying time by clicking the arrow mark next to **Adjustments**.*

Printing

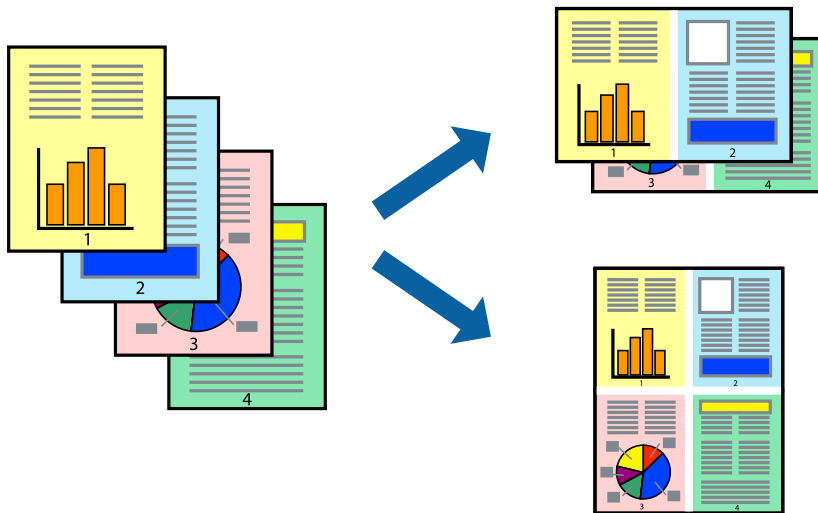
7. Set the other items as necessary.
8. Click **Print**.

Related Information

- ➔ “Loading Paper in the Paper Cassette 1” on page 24
- ➔ “Loading Paper in the Paper Cassette 2” on page 28
- ➔ “Printing Basics - Mac OS X” on page 56

Printing Several Pages on One Sheet

You can print two or four pages of data on a single sheet of paper.



Printing Several Pages on One Sheet - Windows

Note:

This feature is not available for borderless printing.

1. Load paper in the printer.
2. Open the file you want to print.
3. Access the printer driver window.
4. Select **2-Up** or **4-Up** as the **Multi-Page** setting on the **Main** tab.
5. Click **Page Order**, make the appropriate settings, and then click **OK** to close the window.
6. Set the other items on the **Main** and **More Options** tabs as necessary, and then click **OK**.
7. Click **Print**.

Related Information

- ➔ “Loading Paper in the Paper Cassette 1” on page 24
- ➔ “Loading Paper in the Paper Cassette 2” on page 28

Printing

- ➔ [“Loading Paper in the Rear Paper Feed Slot” on page 31](#)
- ➔ [“Printing Basics - Windows” on page 55](#)

Printing Several Pages on One Sheet - Mac OS X

1. Load paper in the printer.
2. Open the file you want to print.
3. Access the print dialog.
4. Select **Layout** from the pop-up menu.
5. Set the number of pages in **Pages per Sheet**, the **Layout Direction** (page order), and **Border**.
6. Set the other items as necessary.
7. Click **Print**.

Related Information

- ➔ [“Loading Paper in the Paper Cassette 1” on page 24](#)
- ➔ [“Loading Paper in the Paper Cassette 2” on page 28](#)
- ➔ [“Loading Paper in the Rear Paper Feed Slot” on page 31](#)
- ➔ [“Printing Basics - Mac OS X” on page 56](#)

Printing to Fit the Paper Size

You can print to fit the paper size you loaded in the printer.



Printing to Fit the Paper Size - Windows

Note:

This feature is not available for borderless printing.

1. Load paper in the printer.
2. Open the file you want to print.

Printing

3. Access the printer driver window.
 4. Make the following settings on the **More Options** tab.
 - Document Size: Select the paper size you set in the application.
 - Output Paper: Select the paper size you loaded in the printer.
Fit to Page is selected automatically.
- Note:**
*If you want to print a reduced image at the center of the page, select **Center**.*
5. Set the other items on the **Main** and **More Options** tabs as necessary, and then click **OK**.
 6. Click **Print**.

Related Information

- ➔ [“Loading Paper in the Paper Cassette 1” on page 24](#)
- ➔ [“Loading Paper in the Paper Cassette 2” on page 28](#)
- ➔ [“Loading Paper in the Rear Paper Feed Slot” on page 31](#)
- ➔ [“Printing Basics - Windows” on page 55](#)

Printing to Fit the Paper Size - Mac OS X

1. Load paper in the printer.
2. Open the file you want to print.
3. Access the print dialog.
4. Select the size of the paper you set in the application as the **Paper Size** setting.
5. Select **Paper Handling** from the pop-up menu.
6. Select **Scale to fit paper size**.
7. Select the paper size you loaded in the printer as the **Destination Paper Size** setting.
8. Set the other items as necessary.
9. Click **Print**.

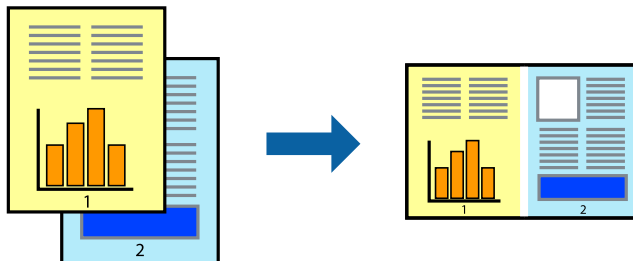
Related Information

- ➔ [“Loading Paper in the Paper Cassette 1” on page 24](#)
- ➔ [“Loading Paper in the Paper Cassette 2” on page 28](#)
- ➔ [“Loading Paper in the Rear Paper Feed Slot” on page 31](#)
- ➔ [“Printing Basics - Mac OS X” on page 56](#)

Printing

Printing Multiple Files Together (for Windows Only)

Job Arranger Lite allows you to combine several files created by different applications and print them as a single print job. You can specify the print settings for combined files, such as layout, print order, and orientation.



Note:

To open a **Print Project** saved in **Job Arranger Lite**, click **Job Arranger Lite** on the printer driver's **Maintenance** tab. Next, select **Open** from the **File** menu to select the file. The extension of the saved files is ".ecl".

1. Load paper in the printer.
2. Open the file you want to print.
3. Access the printer driver window.
4. Select **Job Arranger Lite** on the **Main** tab.
5. Click **OK** to close the printer driver window.
6. Click **Print**.

The **Job Arranger Lite** window is displayed and the print job is added to the **Print Project**.

7. With the **Job Arranger Lite** window opened, open the file that you want to combine with the current file, and then repeat steps 3 to 6.

Note:

If you close the **Job Arranger Lite** window, the unsaved **Print Project** is deleted. To print later, select **Save** from the **File** menu.

8. Select the **Layout** and **Edit** menus in **Job Arranger Lite** to edit the **Print Project** as necessary.
9. Select **Print** from the **File** menu.

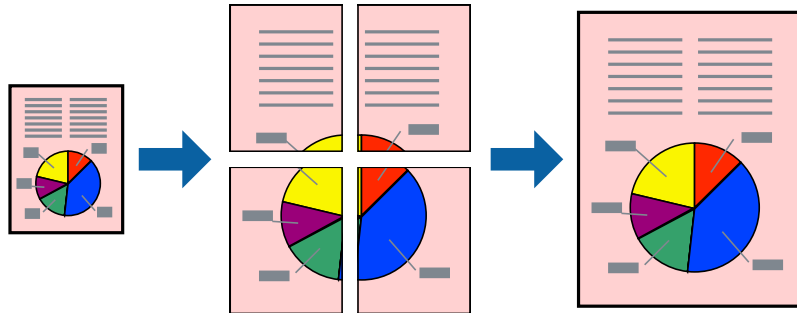
Related Information

- ➔ [“Loading Paper in the Paper Cassette 1” on page 24](#)
- ➔ [“Loading Paper in the Paper Cassette 2” on page 28](#)
- ➔ [“Loading Paper in the Rear Paper Feed Slot” on page 31](#)
- ➔ [“Printing Basics - Windows” on page 55](#)

Printing

Printing One Image on Multiple Sheets to Create a Poster (for Windows Only)

This feature allows you to print one image on multiple sheets of paper. You can create a larger poster by taping them together.



Note:

This feature is not available for borderless printing.

1. Load paper in the printer.
2. Open the file you want to print.
3. Access the printer driver window.
4. Select **2x1 Poster**, **2x2 Poster**, **3x3 Poster**, or **4x4 Poster** from **Multi-Page** on the **Main** tab.
5. Click **Settings**, make the appropriate settings, and then click **OK**.
6. Set the other items on the **Main** and **More Options** tabs as necessary, and then click **OK**.
7. Click **Print**.

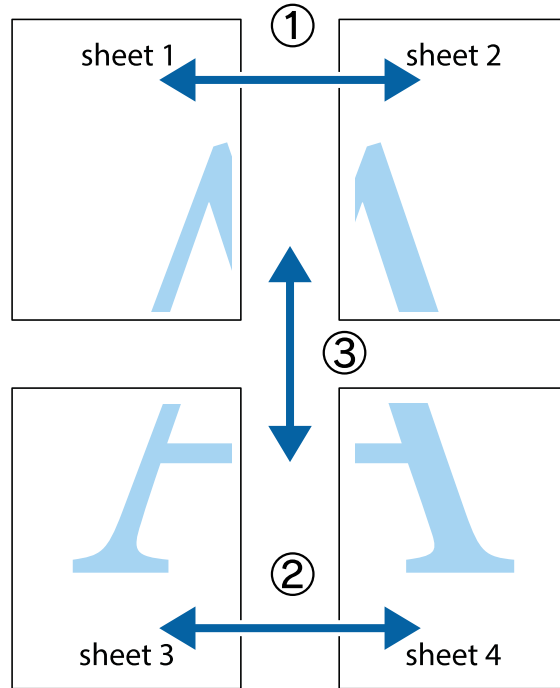
Related Information

- ➔ [“Loading Paper in the Paper Cassette 1” on page 24](#)
- ➔ [“Loading Paper in the Paper Cassette 2” on page 28](#)
- ➔ [“Loading Paper in the Rear Paper Feed Slot” on page 31](#)
- ➔ [“Printing Basics - Windows” on page 55](#)

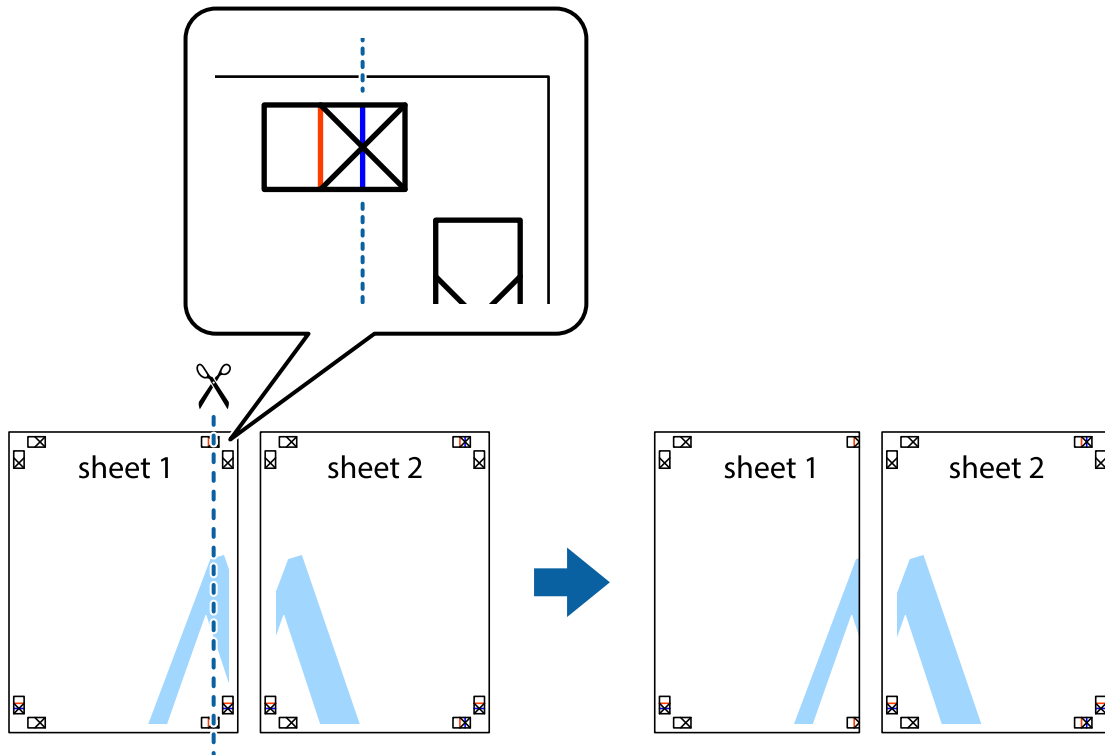
Printing

Making Posters Using Overlapping Alignment Marks

Here is an example of how to make a poster when **2x2 Poster** is selected, and **Overlapping Alignment Marks** is selected in **Print Cutting Guides**.

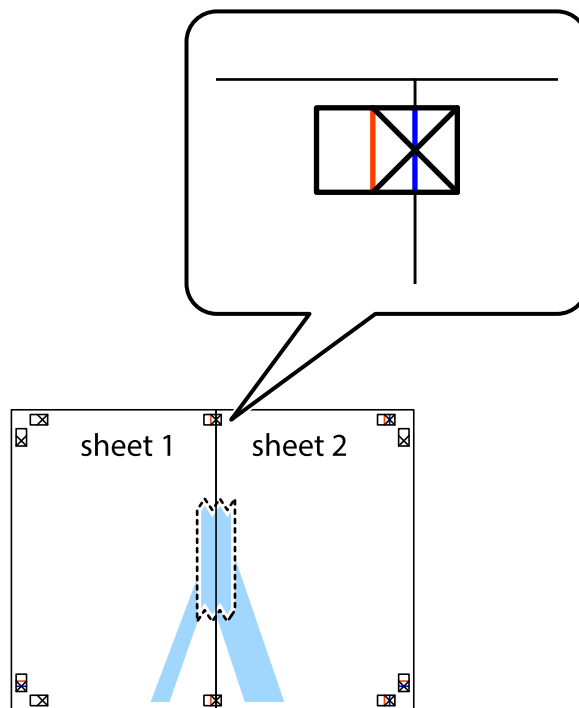


1. Prepare Sheet 1 and Sheet 2. Cut off the margins of Sheet 1 along the vertical blue line through the center of the top and bottom cross marks.

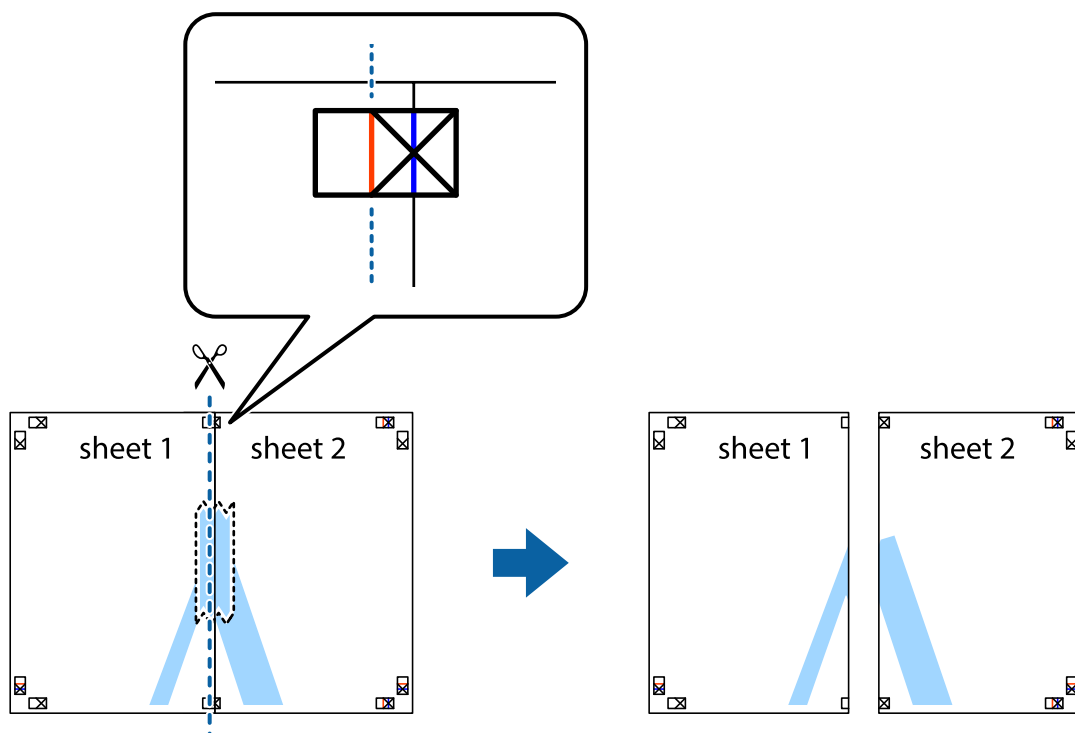


Printing

2. Place the edge of Sheet 1 on top of Sheet 2 and align the cross marks, then temporarily tape the two sheets together from the back.

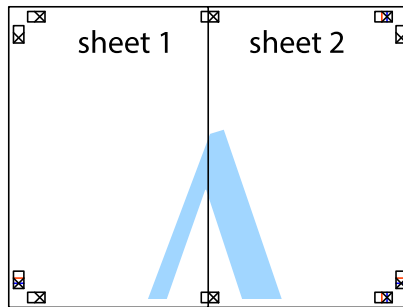


3. Cut the taped sheets in two along the vertical red line through the alignment markers (this time, the line to the left of the cross marks).

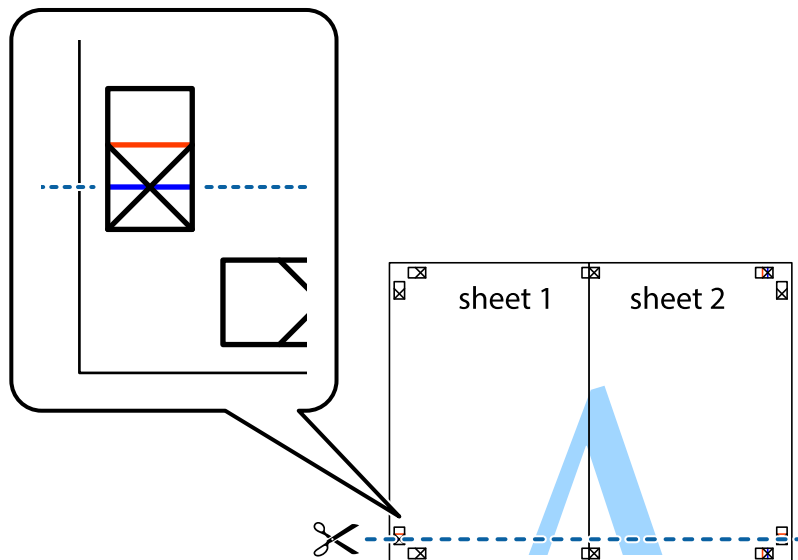


Printing

4. Tape the sheets together from the back.

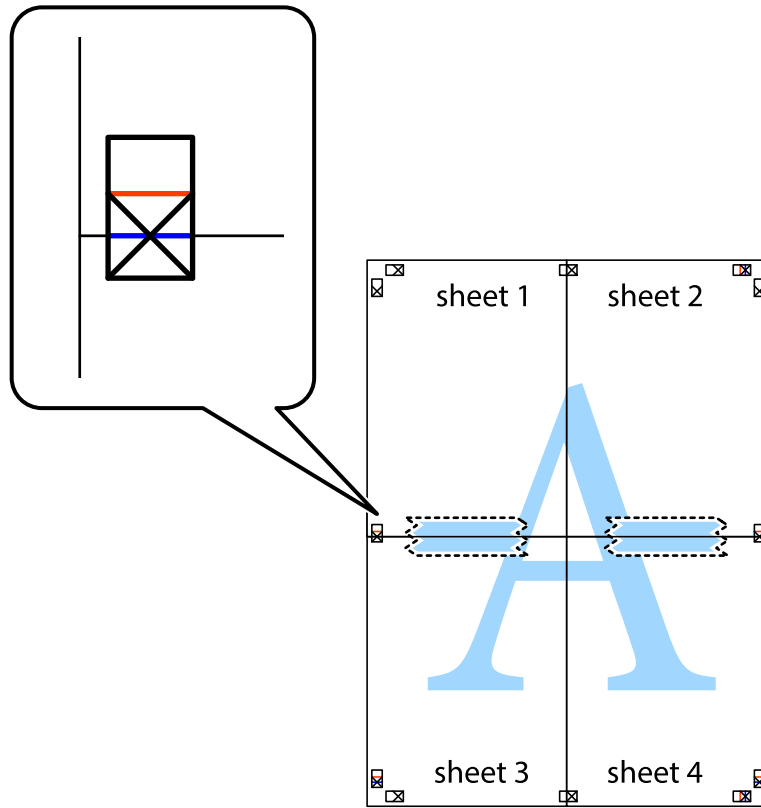


5. Repeat steps 1 to 4 to tape Sheet 3 and Sheet 4 together.
6. Cut off the margins of Sheet 1 and Sheet 2 along the horizontal blue line through the center of the left and right side cross marks.



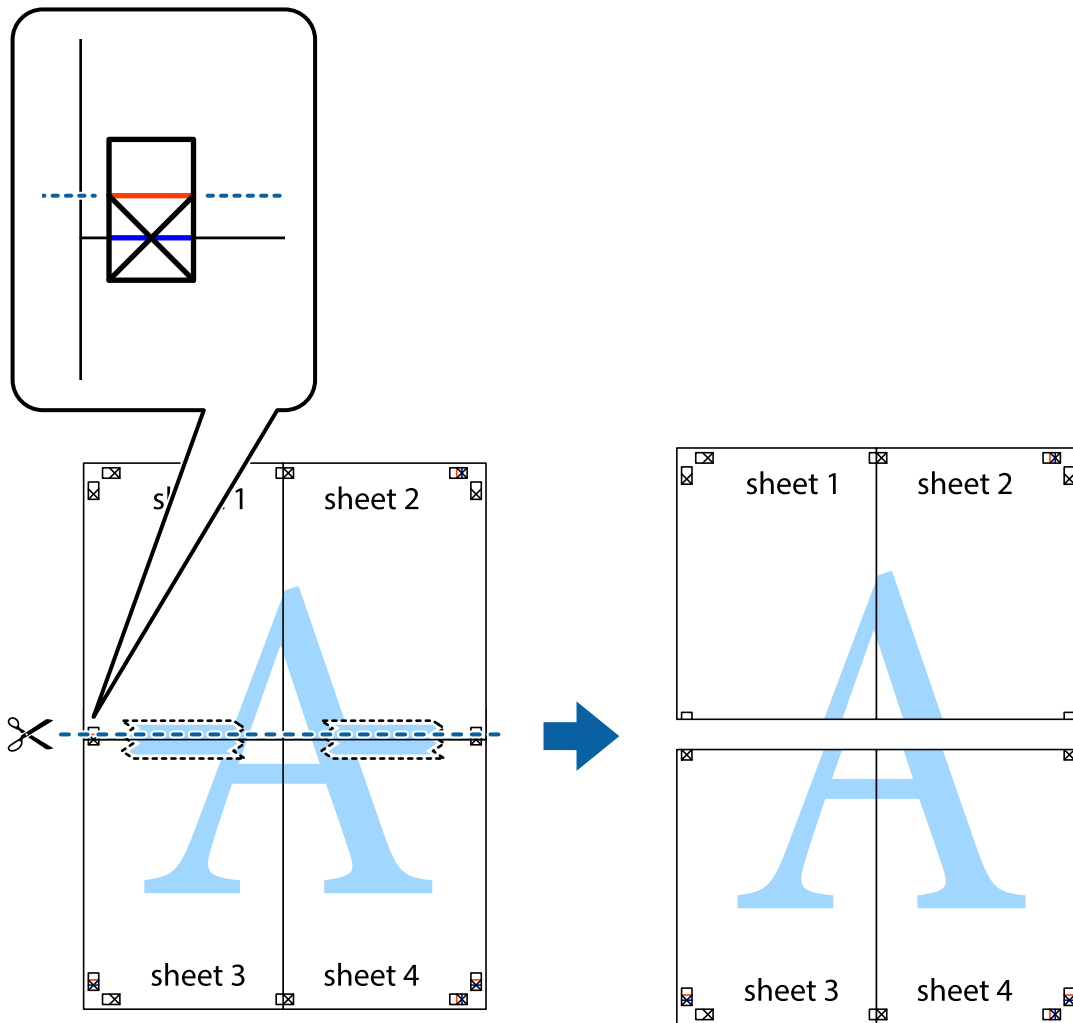
Printing

7. Place the edge of Sheet 1 and Sheet 2 on top of Sheet 3 and Sheet 4 and align the cross marks, and then temporarily tape them together from the back.

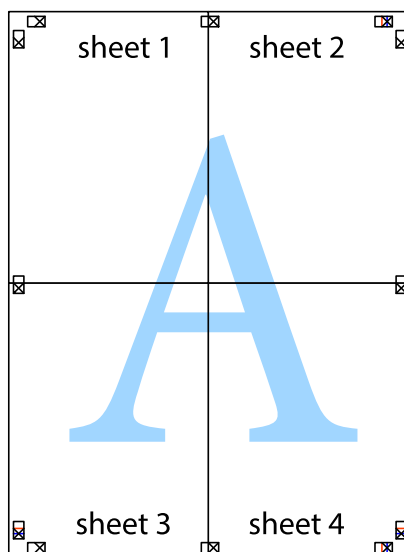


Printing

- Cut the taped sheets in two along the horizontal red line through the alignment markers (this time, the line above the cross marks).

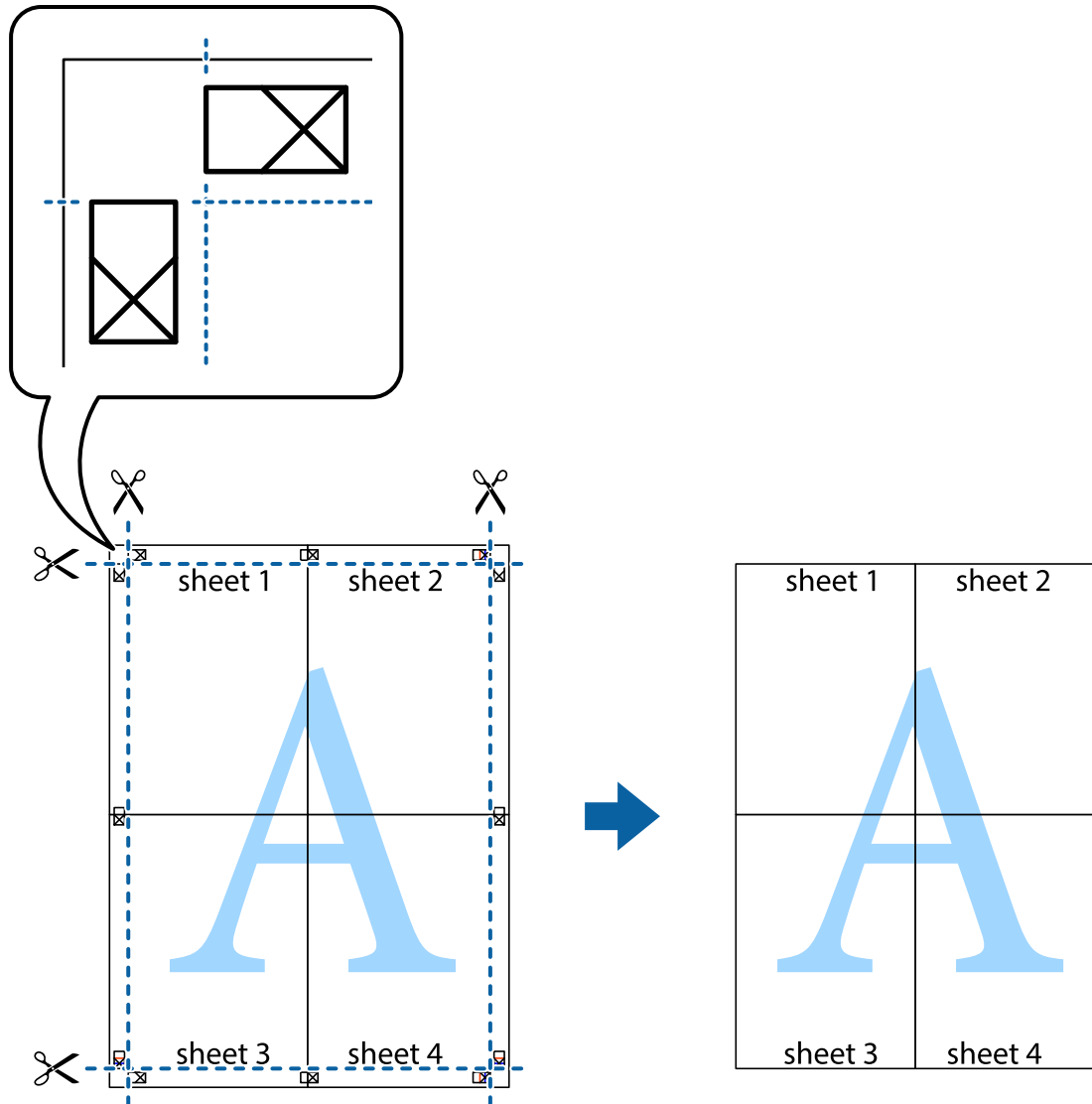


- Tape the sheets together from the back.



Printing

10. Cut off the remaining margins along the outer guide.



Printing Using Advanced Features

This section introduces a variety of additional layout and printing features available on the printer driver.

Related Information

- ➔ [“Windows Printer Driver” on page 121](#)
- ➔ [“Mac OS X Printer Driver” on page 124](#)

Adding a Printing Preset to Print Easily

If you create your own preset of frequently used print settings on the printer driver, you can print easily by selecting the preset from the list.

Printing

Windows

To add your own preset, set items such as the **Document Size** and **Paper Type** on the **Main** or **More Options** tab, and then click **Add/Remove Presets** in **Printing Presets**.

Note:

To delete an added preset, click **Add/Remove Presets**, select the preset name you want to delete from the list, and then delete it.

Mac OS X

Access the print dialog. To add your own preset, set items such as the **Paper Size** and **Media Type**, and then save the current settings as the preset in the **Presets** setting.

Note:

To delete an added preset, click **Presets > Show Presets**, select the preset name you want to delete from the list, and then delete it.

Printing a Reduced or Enlarged Document

You can reduce or enlarge the size of a document by a specific percentage.

Windows

Note:

This feature is not available for borderless printing.

Set the **Document Size** on the **More Options** tab. Select **Reduce/Enlarge Document**, **Zoom to**, and then enter a percentage.

Mac OS X

Note:

Operations differ depending on the application. See the application's help for details.

Select **Page Setup** (or **Print**) from the **File** menu. Select the printer from **Format For**, select the paper size, and then enter a percentage in **Scale**. Close the window, and then print following the basic printing instructions.

Adjusting the Print Color

You can adjust the colors used in the print job.

PhotoEnhance produces sharper images and more vivid colors by automatically adjusting the contrast, saturation, and brightness of the original image data.

Note:

These adjustments are not applied to the original data.

PhotoEnhance adjusts the color by analyzing the location of the subject. Therefore, if you have changed the location of the subject by reducing, enlarging, cropping, or rotating the image, the color may change unexpectedly. Selecting the borderless setting also changes the location of the subject resulting in changes in color. If the image is out of focus, the tone may be unnatural. If the color is changed or becomes unnatural, print in a mode other than **PhotoEnhance**.

Windows

Select the method of color correction from **Color Correction** on the **More Options** tab.

If you select **Automatic**, the colors are automatically adjusted to match the paper type and print quality settings. If you select **Custom** and click **Advanced**, you can make your own settings.

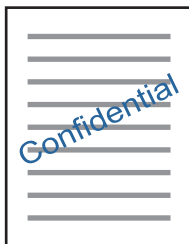
Printing

Mac OS X

Access the print dialog. Select **Color Matching** from the pop-up menu, and then select **EPSON Color Controls**. Select **Color Options** from the pop-up menu, and then select one of the available options. Click the arrow next to **Advanced Settings** and make the appropriate settings.

Printing a Watermark (for Windows Only)

You can print a watermark such as "Confidential" on your printouts. You can also add your own watermark.



Note:

This feature is not available with borderless printing.

Click **Watermark Features** on the **More Options** tab, and then select a watermark. Click **Settings** to change details such as the density and position of the watermark.

Printing a Header and Footer (for Windows Only)

You can print information such as a user name and printing date as headers or footers.

Click **Watermark Features** in the **More Options** tab, and then select **Header/Footer**. Click **Settings** and select necessary items from the drop-down list.

Printing Photos Using Epson Easy Photo Print

Epson Easy Photo Print lets you lay out and print photos easily on various types of paper. See the application's help for details.

Note:

- By printing on genuine Epson photo paper, the ink quality is maximized and the printouts are vivid and clear.*
- To perform borderless printing using a commercially available application, make the following settings.*
 - Create image data to fit the paper size. If a margin setting is available in the application you are using, set the margin to 0 mm.*
 - Enable the borderless printing setting in the printer driver.*

Related Information

➔ ["Epson Easy Photo Print" on page 128](#)

Printing a CD/DVD Label with Epson Print CD

Epson Print CD lets you easily create and print an original design CD/DVD label. You can also create and print a CD/DVD jacket.

Printing

You can set the print range for the CD/DVD to a minimum of 18 mm for the inner diameter, and a maximum of 120 mm for the outer diameter. Depending on the settings, the CD/DVD or tray may be smeared. Set within the print range for the CD/DVD you want to print.

See the application's help for details.

Note:

When printing a CD/DVD label using a commercially available application, make the following settings.

- ❑ For Windows, A4 is automatically selected as the **Document Size** setting when you select **CD/DVD Tray** as the **Paper Source** setting. Select **Portrait** as the **Orientation** setting, and **CD/DVD** or **CD/DVD Premium Surface** as the **Paper Type** setting.
- ❑ For Mac OS X, select **A4 (CD/DVD)** as the **Paper Size** setting. Select **portrait** as the printing direction, and then select **CD/DVD** or **CD/DVD Premium Surface** as the **Media Type** on the **Print Settings** menu.
- ❑ On some applications, you may need to specify the tray type. Select **Epson Tray Type 2**. The setting name may vary slightly depending on the application.

Related Information

➔ [“Epson Print CD” on page 128](#)

Printing from Smart Devices

Using Epson iPrint

Epson iPrint is an application that allows you to print photos, documents, and web pages from a smart device such as a smartphone or tablet. You can use local print, printing from a smart device that is connected to the same wireless network as your printer, or remote print, printing from a remote location over the Internet. To use remote print, register your printer in the Epson Connect service.

**Related Information**

➔ [“Epson Connect Service” on page 119](#)

Installing Epson iPrint

You can install Epson iPrint on your smart device from the following URL or QR code.

<http://ipr.to/a>

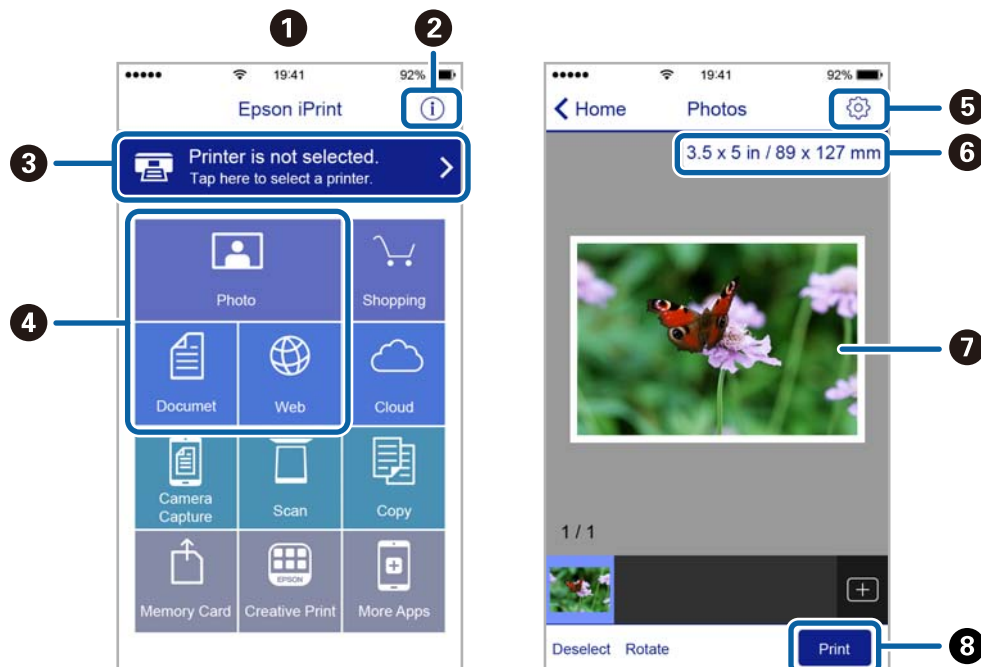


Printing

Printing Using Epson iPrint

Start Epson iPrint from your smart device and select the item you want to use from the home screen.

The following screens are subject to change without notice.



1	Home screen displayed when the application is started.
2	Displays information on how to setup the printer and a FAQ.
3	Displays the screen where you can select the printer and make printer settings. Once you have selected the printer, you do not need to select it again from the next time.
4	Select what you want to print such as photos, documents, and web pages.
5	Displays the screen to make print settings such as paper size and paper type.
6	Displays the paper size. When this is displayed as a button, press it to display the paper settings currently set on the printer.
7	Displays photos and documents you selected.
8	Starts printing.

Note:

To print from the document menu using iPhone, iPad, and iPod touch running iOS, start Epson iPrint after transferring the document you want to print using the file sharing function in iTunes.

Printing

Using AirPrint

AirPrint enables instant wireless printing from iPhone, iPad, and iPod touch with the latest version of iOS, and Mac with the latest version of OS X.



Note:

If you disabled paper configuration messages on your product control panel, you cannot use AirPrint. See the link below to enable the messages, if necessary.

1. Load paper in your product.
2. Set up your product for wireless printing. See the link below.
<http://epson.sn>
3. Connect your Apple device to the same wireless network that your product is using.
4. Print from your device to your product.

Note:

For details, see the AirPrint page on the Apple website.

Related Information

- ➔ [“Cannot Use AirPrint” on page 142](#)
- ➔ [“Loading Paper in the Paper Cassette 1” on page 24](#)
- ➔ [“Loading Paper in the Paper Cassette 2” on page 28](#)

Printing from a Digital Camera

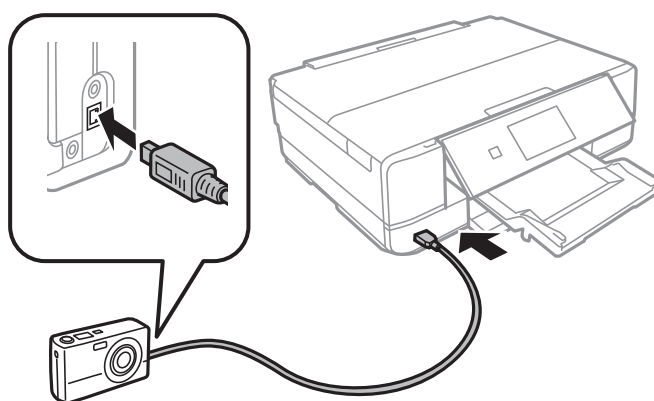
Note:

- ❑ You can print photos directly from a PictBridge-compatible digital camera. For more details on making operations on your camera, see the documentation provided with your camera.
- ❑ Usually digital camera settings are given priority; however, in the following situations, the printer settings are given priority.
 - ❑ When the camera's print setting is set to "use printer settings"
 - ❑ When the **Sepia** or **B&W** option is selected in the printer's print settings.
 - ❑ When combining the print settings of the camera and the printer produces settings that are not available on the printer.
- ❑ When printing on a CD/DVD, make the print settings on the printer before selecting photos on the digital camera, and then start printing. However, depending on your digital camera, you may not be able to print photos with DPOF settings on a CD/DVD.
- ❑ You can print photos with DPOF settings directly from a camera.

Printing from a Digital Camera Connected by USB Cable

You can print photos directly from a digital camera connected by USB cable.

1. Remove a memory card from the printer.
2. Load paper in the printer.
3. Select **Setup** > **External Device Setup** from the home screen.
4. Select **Print Settings** or **Photo Adjustments** and change the settings if necessary.
5. Turn on the digital camera, and then connect to the printer using a USB cable.



Note:

Use a USB cable that is shorter than two meters.

6. Select the photos you want to print from the digital camera, make settings such as the number of copies, and then start printing.

Printing

Related Information

- ➔ “Loading Paper in the Paper Cassette 1” on page 24
- ➔ “Loading Paper in the Paper Cassette 2” on page 28
- ➔ “Menu Options for Photo Adjustment and Zoom” on page 52
- ➔ “Menu Options for Paper and Print Settings” on page 53

Printing from a Digital Camera Connected Wirelessly

You can wirelessly print photos from digital cameras that support the DPS over IP standard (from here on referred to as PictBridge (wireless LAN)).

1. Make sure the icon that indicates that the printer is connected to a wireless network is displayed on the home screen.

Note:

To learn the meaning of the icons, select **Help** > **Icon List** on the control panel.

2. Load paper in the paper cassette.
3. Select **Setup** > **External Device Setup** from the home screen.
4. Select **Print Settings** or **Photo Adjustments** and change the settings if necessary.
5. Connect the digital camera to the same network as the printer.
6. Display the list of available printers on the digital camera, and then select the printer you want to connect to.

Note:

To check the printer's name, press the network status icon on the home screen.

If your digital camera has a function that allows you to register printers, you can connect to the printer by selecting it from the next time.

7. Select the photos you want to print from the digital camera, make settings such as the number of copies, and then start printing.
8. Disconnect the PictBridge (wireless LAN) connection to the printer from the digital camera.



Important:

When using PictBridge (wireless LAN), you cannot use other printer functions or print from other devices. Disconnect immediately when you have finished printing.

Related Information


- ➔ “Loading Paper in the Paper Cassette 1” on page 24
- ➔ “Loading Paper in the Paper Cassette 2” on page 28
- ➔ “Menu Options for Photo Adjustment and Zoom” on page 52
- ➔ “Menu Options for Paper and Print Settings” on page 53

Canceling Printing

Note:

- ❑ *In Windows, you cannot cancel a print job from the computer once it has been completely sent to the printer. In this case, cancel the print job by using the printer's control panel.*
- ❑ *When printing several pages from Mac OS X, you cannot cancel all of the jobs by using the control panel. In this case, cancel the print job from the computer.*
- ❑ *If you have sent a print job from Mac OS X v10.6.8 through the network, you may not be able to cancel printing from the computer. In this case, cancel the print job by using the printer's control panel.*

Canceling Printing - Printer Button

Press the  button to cancel the print job in progress.


Canceling Printing - Windows

1. Access the printer driver window.
2. Select the **Maintenance** tab.
3. Click **Print Queue**.
4. Right-click on the job you want to cancel and then select **Cancel**.

Related Information

➔ [“Windows Printer Driver” on page 121](#)

Canceling Printing - Mac OS X

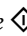
1. Click the printer icon in the **Dock**.
2. Select the job you want to cancel.
3. Cancel the job.
 - ❑ Mac OS X v10.8.x or later
Click  next to the progress meter.
 - ❑ Mac OS X v10.6.8 to v10.7.x
Click **Delete**.

Copying

Copying Basics

1. Load paper in the printer.



**Important:**

- ❑ When loading in the paper cassette, make the paper settings on the control panel.
- ❑ When loading in the rear paper feed slot, do not load paper now. When you select the rear paper feed slot as the paper source setting, and then press the  button, the printer will prompt you to load paper. Follow the instructions to load the paper.

2. Place the originals.
3. Select **Copy** on the control panel.
4. Set the number of copies using - or +.
5. Select color copy or monochrome copy.
6. Check the settings such as the paper size and the paper type and change settings if necessary.

Note:

If you want to copy by reducing or enlarging the size of a document by a specific percentage, select **Custom Size** as the **Reduce/Enlarge** setting, and enter a percentage on the screen displayed.

7. Press the  button. When printing from the rear paper feed slot, press the  button, and then load paper when you are instructed to do so.

Related Information

- ➔ [“Loading Paper in the Paper Cassette 1” on page 24](#)
- ➔ [“Loading Paper in the Paper Cassette 2” on page 28](#)
- ➔ [“Loading Paper in the Rear Paper Feed Slot” on page 31](#)
- ➔ [“Placing Originals on the Scanner Glass” on page 35](#)
- ➔ [“Menu Options for Copy Mode” on page 80](#)

Menu Options for Copy Mode

Note:

Available menus vary depending on the layout you selected.

The number of copies

Enter the number of copies.

Preview

Shows a scanned image to preview the copy results.

Copying

Color

Copies the original in color.

B&W

Copies the original in black and white (monochrome).

Density

Increase the level of density by pressing ► when the copying results are faint. Decrease the level of density by pressing ◀ when ink smears.

Remove Background

Detects the paper color (background color) of the original document, and removes or lightens the color. Depending on the darkness and vividness of the color, it may not be removed or lightened.

2-Sided Copying

1>1-Sided

Copies one side of an original onto a single side of paper.

1>2-Sided

Copies two single-sided originals onto both sides of a single sheet of paper.

Layout

With Border

Copies with margins around the edges.

Borderless

Copies without margins around the edges. The image is enlarged a little to remove borders from the edges of the paper.

A4, 2-up Copy

Copies two A4 single-sided originals onto a single sheet of A4 size paper in 2-up layout.

You can also copy onto a single sheet of A3 size paper. A4 size originals can be copied almost at their original size in 2-up layout.

A4, Book/2-up

Copies two A4 facing pages of a book and so on onto a single sheet of A4 size paper in 2-up layout.

You can also copy onto a single sheet of A3 size paper. A4 size originals can be copied almost at their original size in 2-up layout.

Book/2-Sided

Copies two separate pages of a book and so on onto both sides of a single sheet of paper. Only available when **1>2-Sided** is selected as the 2-sided copying setting.

Reduce/Enlarge

Enlarges or reduces the originals.

Custom Size

Copying

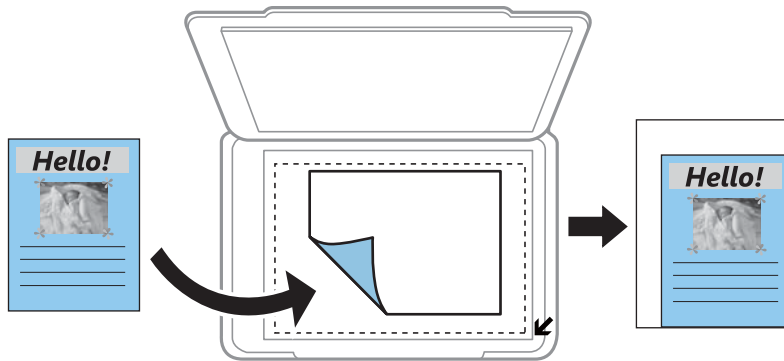
Specifies the magnification used to enlarge or reduce the original within a range of 25 to 400%.

Actual Size

Copies at 100 % magnification.

Auto Fit Page

Detects the scan area and automatically enlarges or reduces the original to fit to the paper size you selected. When there are white margins around the original, the white margins from the corner mark of the scanner glass are detected as the scan area, but the margins at the opposite side may be cropped.



10x15cm->A4, A4->10x15cm, and others

Automatically enlarges or reduces the original to fit to a specific paper size.

Paper Size

Select the paper size you loaded.

Paper Type

Select the paper type you loaded.

Paper Source

Select the paper source that you want to use.

Document Type

Select the type of your original.

Quality

Select the quality for copying. Selecting **Best** provides higher quality printing, but the printing speed may be slower.

Document Orientation

Select the orientation of your original.

Binding Margin

Select the binding position of the copies.

Expansion

Copying

With borderless copying, the image is enlarged a little to remove borders from the edges of the paper. Select how much to enlarge the image.

Dry Time

Select the drying time for 2-sided copying. Increase the level of drying time when ink smears.

Clear All Settings

Resets the copy settings to their defaults.

Copying Photos

You can copy multiple photos at the same time. You can also restore the colors in faded photos.


Note:

- The smallest size of original you can copy is 30 × 40 mm.
- White space around the photo may not be detected.


1. Load paper in the printer.



Important:

- When loading in the paper cassette, make the paper settings on the control panel.
- When loading in the rear paper feed slot, do not load paper now. When you select the rear paper feed slot as the paper source setting, and then press the  button, the printer will prompt you to load paper. Follow the instructions to load the paper.







2. Select **More Functions** on the control panel.
3. Select **Copy/Restore Photos**.
4. Select whether or not to restore the colors in faded photos.
5. Place the photos on the scanner glass following the instructions displayed on the screen.


6. Press the  button.

The photos are scanned and displayed on the screen.

7. Press **Settings**, check the settings such as the paper size and the paper type, and then change the settings if necessary.

Note:

Press **Edit** to adjust the colors in the photos. If you want to print by enlarging part of a photo, select **Crop/Zoom**. Move the frame of the print area using , , , or  and change the frame size using  or .

8. Press the  button.

Related Information

- ➔ [“Loading Paper in the Paper Cassette 1” on page 24](#)
- ➔ [“Loading Paper in the Paper Cassette 2” on page 28](#)

Copying

- ➔ “Loading Paper in the Rear Paper Feed Slot” on page 31
- ➔ “Placing Originals on the Scanner Glass” on page 35
- ➔ “Menu Options for Copy/Restore Photos” on page 84

Menu Options for Copy/Restore Photos

Photo Adjustments

Selecting **PhotoEnhance** as the **Enhance** setting enhances the image automatically by using Epson's unique image analysis and image processing technology.

Filter

Copies in monochrome.

Crop/Zoom

Enlarges a part of the photo to be copied.

Paper Size

Select the paper size you loaded.

Paper Type

Select the paper type you loaded.

Paper Source

Select the paper source that you want to use.

Borderless

Copies without margins around the edges. The image is enlarged a little to remove borders from the edges of the paper.

Expansion

With borderless copying, the image is enlarged a little to remove borders from the edges of the paper. Select how much to enlarge the image.

Copying on a CD/DVD Label

You can copy a disc label or a square original such as a photo onto a CD/DVD label.

**Important:**

Do not load a CD/DVD into the printer until you are instructed to do so.

1. Select **More Functions** on the control panel.
2. Select **Copy to CD/DVD**.
3. Place the original following the instructions displayed on the screen, and then press **Proceed**.

Copying

4. Set the printing area by specifying the inner diameter and the outer diameter, and then press **Proceed**.

Note:

You can set 114 to 120 mm as the outer diameter, and 18 to 46 mm as the inner diameter in 1 mm increments.

5. Select **Print on a CD/DVD**.

Note:

To make a test print, select **Test print on A4 paper**, and then load A4 plain paper in the paper cassette 2. You can check the printout image before printing on a CD/DVD label.

6. A message is displayed on the screen telling you that the printer is getting ready. You are then instructed to load a CD/DVD. Press ▼ to check the instructions and load a CD/DVD.
7. Press **Ready**, a message is displayed telling you that the printer is ready, and then press **OK**.
8. Select color copy or monochrome copy.
9. Change the other settings if needed.

Note:

Press **Preview** to view the scanned image. You can adjust the printing position on the preview screen.

10. Press the ◊ button.
11. When printing has finished, the CD/DVD tray is ejected. Remove the tray from the printer, and then press **OK**.
12. Remove the CD/DVD and store the CD/DVD tray on the bottom of the printer.

Related Information

- ➔ [“Placing Originals on the Scanner Glass” on page 35](#)
- ➔ [“Loading a CD/DVD” on page 39](#)
- ➔ [“Menu Options for Copy to CD/DVD” on page 85](#)
- ➔ [“Removing a CD/DVD” on page 42](#)

Menu Options for Copy to CD/DVD

Outer, Inner

Specify the print range. Up to 120 mm for the outer diameter, and a minimum of 18 mm for the inner diameter can be specified. Depending on the setting, the CD/DVD or CD/DVD tray may get dirty. Set the range to fit the printable area of your CD/DVD.

Print Type (Print on a CD/DVD or Test print on A4 paper)

Select whether to print on a CD/DVD or make a test print on A4 size plain paper. When you select **Test print on A4 paper**, you can check the print result before printing on a CD/DVD.

Preview

Start scanning the original and displays the scanned image. You can adjust the printing position on the preview screen.

Color

Copying

Copies the original in color.

B&W

Copies the original in black and white (monochrome).

Density

Increase the level of density by pressing ► when the copying results are faint. Decrease the level of density by pressing ◀ when ink smears.

Document Type

Select the type of your original.

Quality


Select the copy quality when printing a test on A4 size plain paper. Selecting **Best** provides higher quality printing, but the printing speed may be slower.

Scanning

Scanning Using the Control Panel

Scanning to a Memory Card

You can save the scanned image to a memory card.

1. Insert a memory card into the printer.
2. Place the originals.
3. Select **Scan** on the control panel.
4. Select **Scan to Memory Card**.
5. Check settings such as the save format, and change them if necessary.
6. Press the  button.

Related Information


- ➔ “Placing Originals on the Scanner Glass” on page 35
- ➔ “Inserting a Memory Card” on page 37
- ➔ “Menu Options for Scanning” on page 89

Scanning to the Cloud

You can send scanned images to cloud services using the **Scan to Cloud** feature. Before using this feature, make settings using Epson Connect. See the following Epson Connect portal website for details.

<https://www.epsonconnect.com/>

<http://www.epsonconnect.eu> (Europe only)

1. Make sure that you have made settings using Epson Connect.
2. Place the originals.
3. Select **Scan** on the control panel.
4. Select **Scan to Cloud**.
5. Select a destination.
6. Select **Settings**, check settings such as the save format, and then change them if necessary.
7. Press the  button.

Scanning

Related Information

- ➔ [“Epson Connect Service” on page 119](#)
- ➔ [“Placing Originals on the Scanner Glass” on page 35](#)
- ➔ [“Menu Options for Scanning” on page 89](#)

Scanning to a Computer

You can save the scanned image to a computer.




Important:

Make sure you have installed EPSON Scan and Epson Event Manager on your computer before using this feature.

1. Place the originals.
2. Select **Scan** on the control panel.
3. Select how to save the scanned image to a computer from the following menus.
 - Scan to Computer (JPEG):** Saves the scanned image in JPEG format.
 - Scan to Computer (PDF):** Saves the scanned image in PDF format.
 - Scan to Computer (Email):** Starts the email client on your computer, and then automatically attaches it to an email.
4. Select a computer on which to save the scanned images.

Note:

 - You can change to frequently-used scan settings such as the document type, folder to save, or save format by using Epson Event Manager.*
 - When the printer is connected to a network, you can select the computer to which you want to save the scanned image. Up to 20 computers can be displayed on the printer's control panel.*
 - When the computer to which you want to save the scanned images is detected on the network, the initial 15 characters of the computer name are displayed on the control panel. If you set **Network Scan Name (Alphanumeric)** in Epson Event Manager, it is displayed on the control panel.*
5. Press the  button.

Related Information

- ➔ [“Placing Originals on the Scanner Glass” on page 35](#)
- ➔ [“Epson Event Manager” on page 127](#)


Scanning to a Computer (WSD)

Note:

- This feature is only available for computers running Windows 8.1/Windows 8/Windows 7/Windows Vista.*
- If you are using Windows 7/Windows Vista, you need to setup your computer in advance using this feature. See the Network Guide for more details.*

1. Place the originals.

Scanning

2. Select **Scan** on the control panel.
3. Select **Scan to Computer (WSD)**.
4. Select a computer.
5. Press the  button.

Related Information

➔ [“Placing Originals on the Scanner Glass” on page 35](#)

Menu Options for Scanning

The following options are available on the **Scan to Memory Card** menu and **Scan to Cloud** menu.

Note:

Available options vary depending on the menu selected.

JPG

Saves the scanned image in JPEG format.

PDF

Saves the scanned image in PDF format.



Color

Select to scan the original in color.

B&W

Select to scan the original in monochrome.

Contrast

Select the contrast of the scanned image. Increase the level of contrast by pressing  and decrease by pressing .

Scan Area

Select the scan area. To crop the white space around the text or image when scanning, select **Auto Cropping**. To scan at the maximum area of the scanner glass, select **Max Area**. Select this setting and scan again if the edges of the scanned image are cropped when **A4** is selected.

Document

Select the type of your original.

Resolution

Select the scanning resolution.

Document Orientation

Select the orientation of your original.

Clear All Settings

Scanning

Resets the scan settings to their defaults.

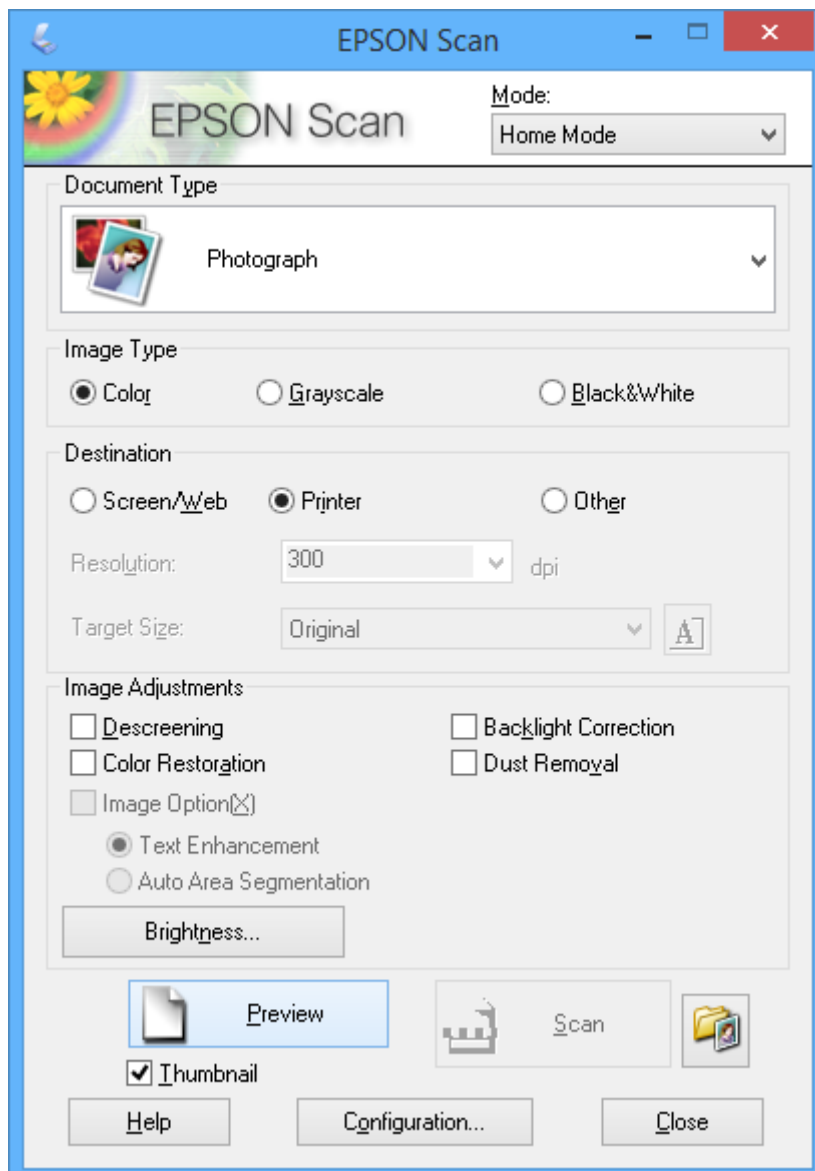
Scanning from a Computer

Scan using the scanner driver "EPSON Scan". See the EPSON Scan help for an explanation of each setting item.

Scanning Basics

This section uses EPSON Scan's **Home Mode** to explain the basics of scanning. The operation work flow is the same in other scanning modes.

1. Place the originals.
2. Start EPSON Scan.
3. Select **Home Mode** from the **Mode** list.



Scanning

4. Make the following settings.

Document Type: Select the type of the original you want to scan.

Image Type: Select the color type of the image you want to scan.

Although this is automatically selected by the **Document Type** setting, you can change the setting.

Destination: Select the resolution of the image you want to scan.

If you select **Other**, you can set **Resolution**.

Thumbnail: Only available if you select **Photograph** as the Document Type setting.

If you select this item and click **Preview**, you can scan by automatically detecting the scan area, direction, or skew of the document, or place multiple photos on the scanner glass.

5. Click **Preview**.

Note:

Depending on the photos and the scanning conditions, the scan results may not be as intended. Clear **Thumbnail**, and only place one photo.

When placing multiple photos, place them at least 20 mm (0.8 inch) apart. Also, the edge area of the scanner glass is not scanned.

6. Adjust the quality or brightness of the image as necessary.


Note:

Depending on the originals, the scan results may not be as intended.

7. Click **Scan**.

8. In the **File Save Settings** screen, make appropriate settings such as the file name, location, and image format type, and then click **OK**.

Note:

When **Show this dialog box before next scan** is cleared, the **File Save Settings** screen is not displayed and scanning starts immediately. To display the **File Save Settings** screen, click the  (**File Save Settings**) icon to the right of **Scan** before starting to scan.

Related Information

➔ [“Placing Originals on the Scanner Glass” on page 35](#)

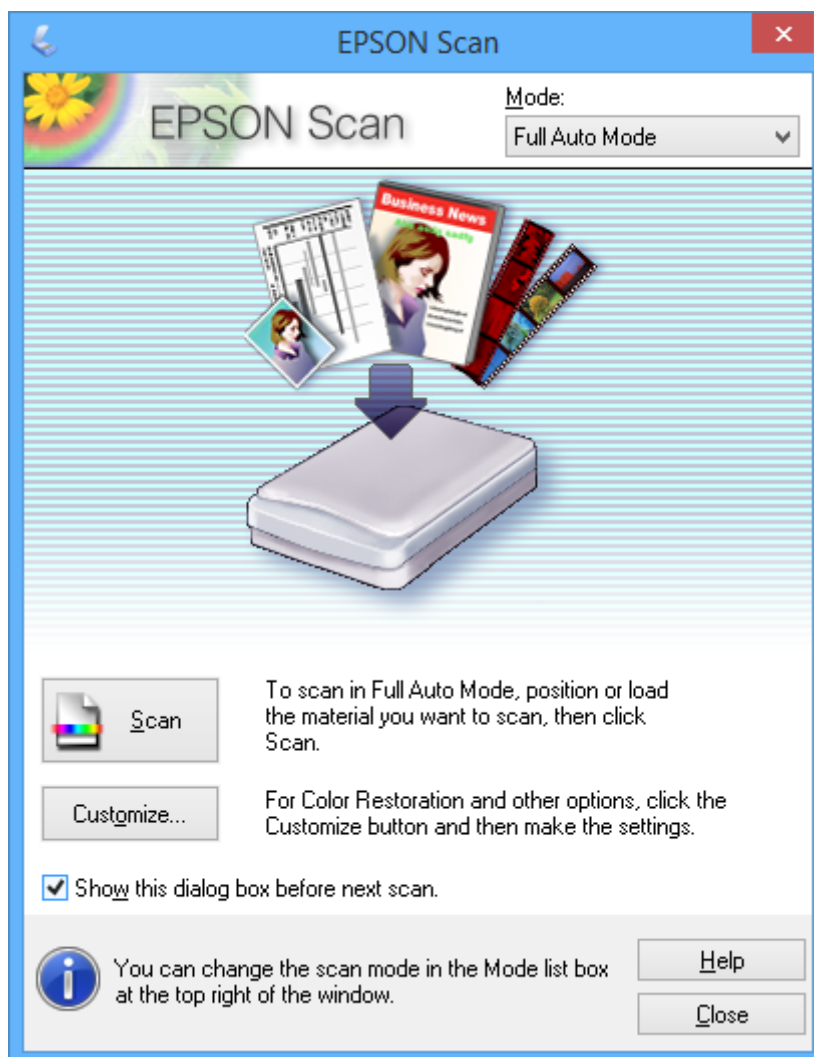
➔ [“EPSON Scan \(Scanner Driver\)” on page 127](#)

Scanning

Scanning Using Advanced Features

Scanning by Detecting the Original Automatically (Full Auto Mode)

You can start scanning by simply placing the original and clicking **Scan**. Select **Full Auto Mode** from the **Mode** list in EPSON Scan.



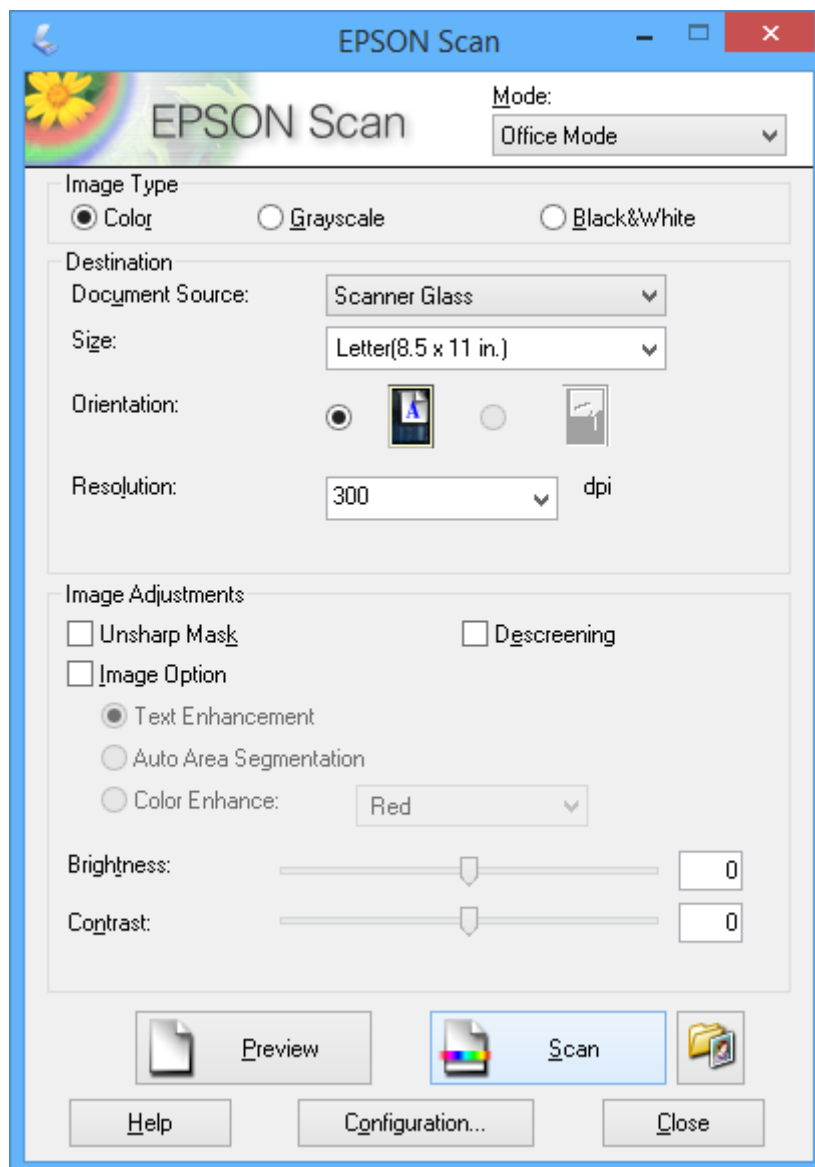
Scanning at Specified Sizes (Office Mode)

You can scan originals at the specified size without previewing the image. Select **Office Mode** from the **Mode** list in EPSON Scan.

Scanning

Note:

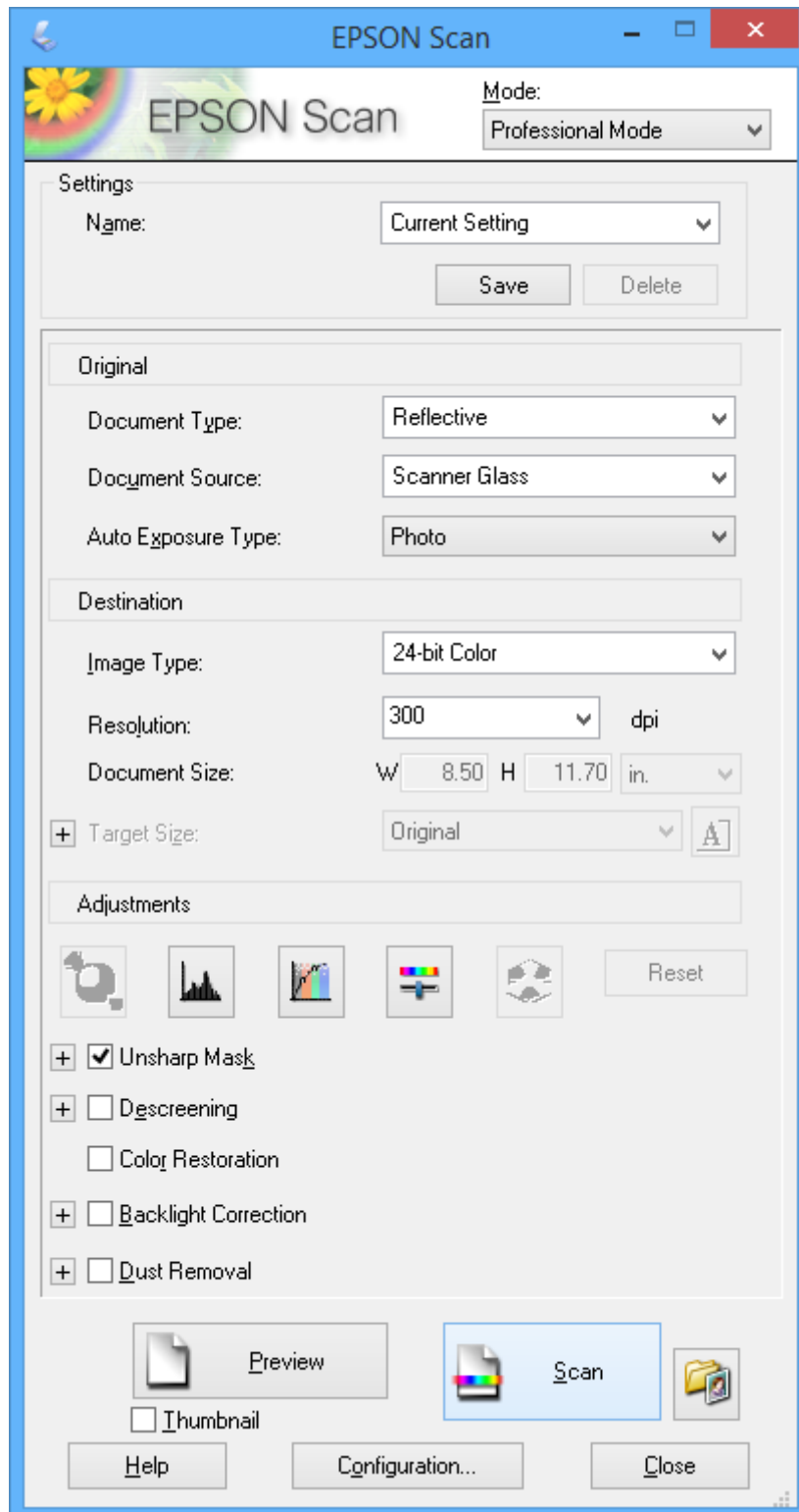
Office Mode is not available for Japanese operating systems.



Scanning

Scanning by Adjusting the Image Quality (Professional Mode)

You can scan images while adjusting the quality and color. This mode is recommended for advanced users. Select **Professional Mode** from the **Mode** list in EPSON Scan.



Scanning from Smart Devices

Epson iPrint is an application that allows you to scan photos and documents from a smart device, such as a smartphone or tablet, that is connected to the same wireless network as your printer. You can save the scanned data on a smart device or to Cloud services, send it by email, or print it.

Related Information

➔ “Epson Connect Service” on page 119

Installing Epson iPrint

You can install Epson iPrint on your smart device from the following URL or QR code.

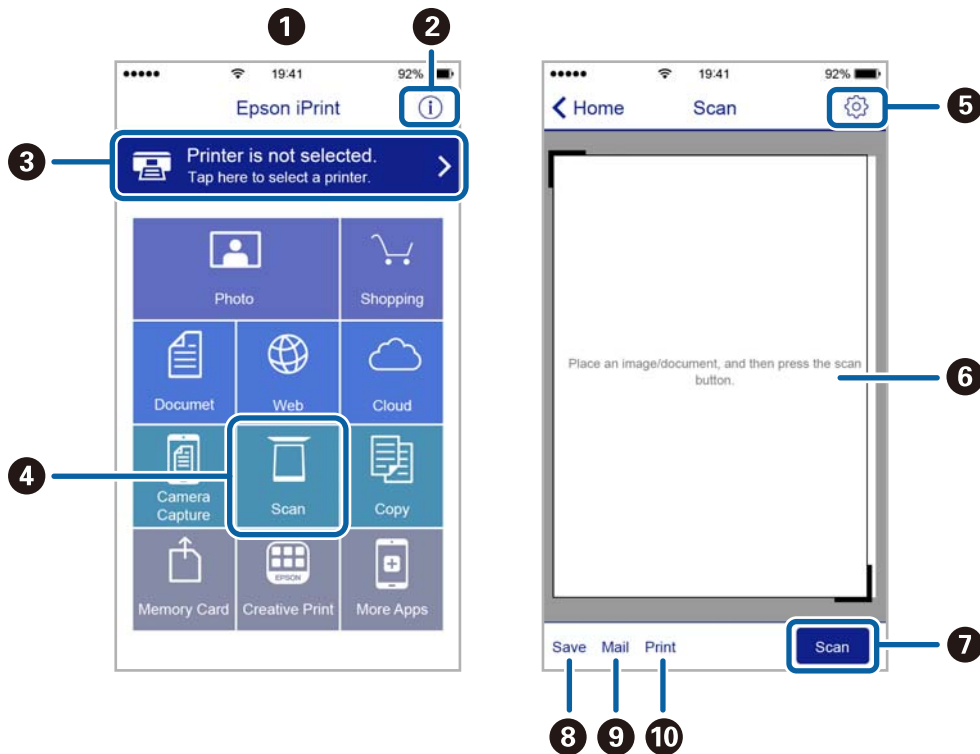
<http://ipr.to/a>



Using Epson iPrint

Start Epson iPrint from your smart device and select the item you want to use from the home screen.

The following screens are subject to change without notice.



Scanning

①	Home screen displayed when the application is started.
②	Displays information on how to setup the printer and a FAQ.
③	Displays the screen where you can select the printer and make printer settings. Once you have selected the printer, you do not need to select it again from the next time.
④	Displays the scanning screen.
⑤	Displays the screen where you can make scan settings such as resolution.
⑥	Displays scanned images.
⑦	Starts scanning.
⑧	Displays the screen where you can save scanned data to a smart device or Cloud services.
⑨	Displays the screen where you can send scanned data by email.
⑩	Displays the screen where you can print scanned data.

Replacing Ink Cartridges

Checking the Ink Levels

You can check the approximate ink levels from the control panel or the computer.

Checking the Ink Levels - Control Panel

1. Enter **Setup** from the home screen.
2. Select **Ink Levels**.

Checking the Ink Levels - Windows

1. Access the printer driver window.
2. Click **Ink Levels** on the **Main** tab.


Note:

*If EPSON Status Monitor 3 is disabled, the ink levels are not displayed. Click **Extended Settings** on the **Maintenance** tab, and then select **Enable EPSON Status Monitor 3**.*

Related Information

➔ [“Windows Printer Driver” on page 121](#)

Checking the Ink Levels - Mac OS X


1. Select **System Preferences** from the  menu > **Printers & Scanners** (or **Print & Scan**, **Print & Fax**), and then select the printer.
2. Click **Options & Supplies** > **Utility** > **Open Printer Utility**.
3. Click **EPSON Status Monitor**.

Ink Cartridge Codes

Epson recommends the use of genuine Epson ink cartridges. Epson cannot guarantee the quality or reliability of non-genuine ink. The use of non-genuine ink may cause damage that is not covered by Epson's warranties, and under certain circumstances, may cause erratic printer behavior. Information about non-genuine ink levels may not be displayed.

The following are the codes for genuine Epson ink cartridges.

Replacing Ink Cartridges

Icon	BK (Black)	C (Cyan)	M (Magenta)	Y (Yellow)	LC (Light Cyan)	LM (Light Magenta)
Elephant 	24 24XL*	24 24XL*	24 24XL*	24 24XL*	24 24XL*	24 24XL*

* "XL" indicates a large cartridge.

Note:

- Not all cartridges are available in all regions.
- For users in Europe, visit the following website for information on Epson's ink cartridge yields.
<http://www.epson.eu/pageyield>

For Australia and New Zealand

BK (Black)	C (Cyan)	M (Magenta)	Y (Yellow)	LC (Light Cyan)	LM (Light Magenta)
277 277XL* ¹	277 277XL*	277 277XL*	277 277XL*	277 277XL*	277 277XL*

* "XL" indicates a large cartridge.

Note:

Not all cartridges are available in all regions.

Ink Cartridge Handling Precautions

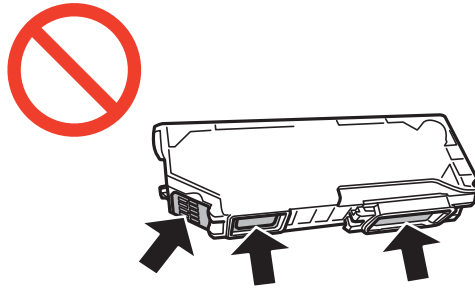
Read the following instructions before replacing ink cartridges.

Handling precautions

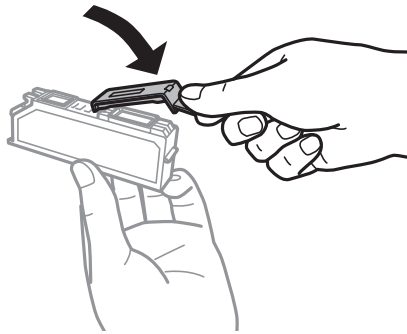
- Store ink cartridges at normal room temperature and keep them away from direct sunlight.
- Epson recommends using the ink cartridge before the date printed on the package.
- For best results, use up ink cartridge within six months of opening the package.
- For best results, store ink cartridge packages with their bottom down.
- After bringing an ink cartridge inside from a cold storage site, allow it to warm up at room temperature for at least three hours before using it.
- Do not open the ink cartridge package until you are ready to install it in the printer. The cartridge is vacuum packed to maintain its reliability. If you leave a cartridge unpacked for a long time before using it, normal printing may not be possible.

Replacing Ink Cartridges

- ❑ Do not touch the sections shown in the illustration. Doing so may prevent normal operation and printing.



- ❑ Install all ink cartridges; otherwise you cannot print.
- ❑ Do not replace ink cartridges with the power off. Do not move the print head by hand; otherwise, you may damage the printer.
- ❑ After installing the ink cartridge, the power light continues to flash while the printer is charging ink. Do not turn off the printer during ink charging. If the ink charging is incomplete, you may not be able to print.
- ❑ Do not leave the printer with the ink cartridges removed or do not turn off the printer during cartridge replacement. Otherwise, ink remaining in the print head nozzles will dry out and you may not be able to print.
- ❑ Be careful not to let dust or any objects get inside the ink cartridge holder. Anything inside the holder may adversely affect the printing results or result in an inability to print. If anything gets inside the holder, remove it carefully.
- ❑ If you remove the cartridge from the printer for later use or to dispose of it, make sure you put the cap back on the cartridge's ink supply port to prevent ink from drying out or to prevent surrounding areas from getting smeared by ink.



- ❑ This printer uses ink cartridges equipped with a green chip that monitors information such as the amount of remaining ink for each cartridge. This means that even if the cartridge is removed from the printer before it is expended, you can still use the cartridge after reinserting it back into the printer. However, when reinserting a cartridge, some ink may be consumed to guarantee printer performance.
- ❑ For maximum ink efficiency, only remove an ink cartridge when you are ready to replace it. Ink cartridges with low ink status may not be used when reinserted.
- ❑ To ensure you receive premium print quality and to help protect your print head, a variable ink safety reserve remains in the cartridge when your printer indicates to replace the cartridge. The yields quoted for you do not include this reserve.
- ❑ Although the ink cartridges may contain recycled materials, this does not affect printer function or performance.
- ❑ Specifications and appearance of the ink cartridge are subject to change without prior notice for improvement.
- ❑ Do not disassemble or remodel the ink cartridge, otherwise you may not be able to print normally.

Replacing Ink Cartridges

- You cannot use the cartridges that came with the printer for the replacement.
- Quoted yields may vary depending on the images that you are printing, the paper type that you are using, the frequency of your prints and environmental conditions such as temperature.
- Finish ink cartridge replacement promptly. Do not leave the printer with the ink cartridges removed.

Ink Consumption

- To maintain optimum print head performance, some ink is consumed from all cartridges not only during printing but also during maintenance operations such as ink cartridge replacement and print head cleaning.
- When printing in monochrome or grayscale, color inks instead of black ink may be used depending on the paper type or print quality settings. This is because a mixture of color inks is used to create black.
- The ink in the ink cartridges supplied with your printer is partly used during initial setup. In order to produce high quality printouts, the print head in your printer will be fully charged with ink. This one-off process consumes a quantity of ink and therefore these cartridges may print fewer pages compared to subsequent ink cartridges.

Replacing Ink Cartridges



Caution:


Be careful not to trap your hand or fingers when opening or closing the scanner unit. Otherwise you may be injured.



Important:

Finish ink cartridge replacement promptly. Do not leave the printer with the ink cartridges removed.

Note:

- You can continue printing even after the printer indicates that the ink is low. However, prepare new ink cartridges as soon as possible.
- If you replace the ink cartridges while copying, the originals may move out of place. Press the  button to cancel and replace the originals.


1. If the CD/DVD tray has been inserted, remove the tray.

2. Do one of the following.

- When prompted to replace ink cartridges

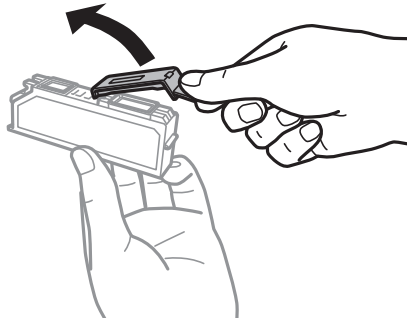
Check which ink cartridge needs to be replaced, touch **Proceed**, and then select **Yes, replace now**. Remove the new ink cartridge from its package.

- When replacing ink cartridges before they are expended

Enter **Setup** from the home screen, and then select **Maintenance > Ink Cartridge(s) Replacement**. Touch **Proceed**, remove the new ink cartridge from its package, and then press the  button.

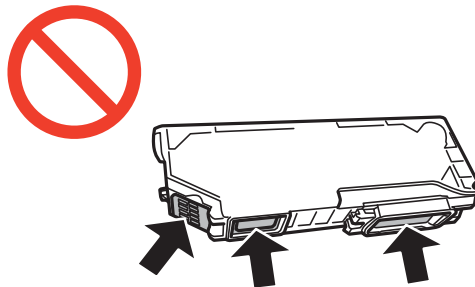
Replacing Ink Cartridges

3. Make sure the cap is facing up, and then remove it.

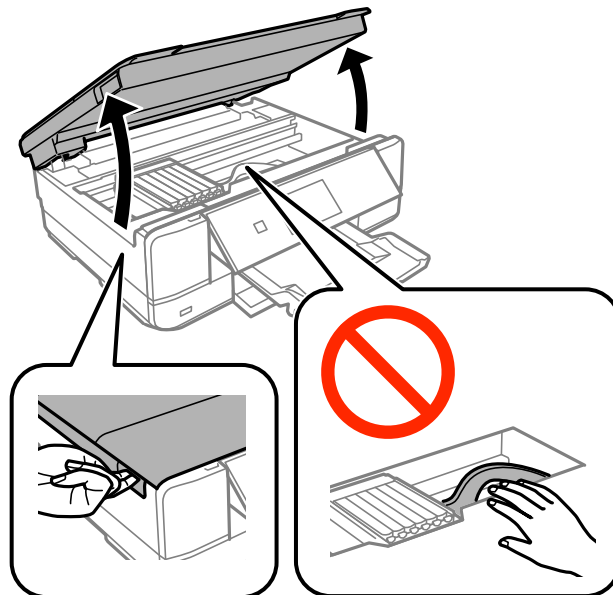


! *Important:*

Do not touch the sections shown in the illustration. Doing so may prevent normal operation and printing.

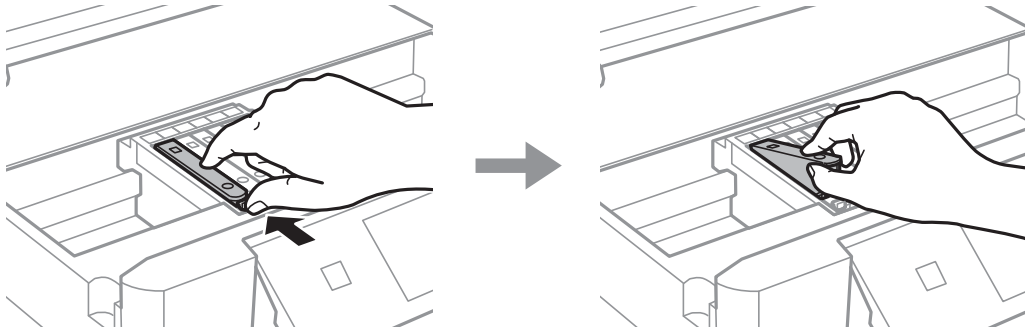


4. Open the scanner unit with the document cover closed.



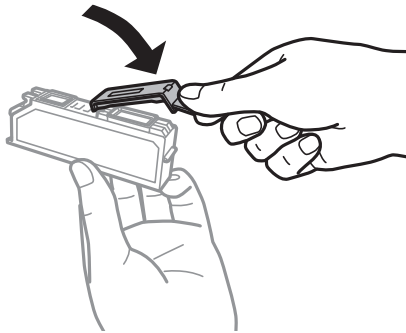
Replacing Ink Cartridges

5. Push the tab to unlock the ink cartridge holder, and then remove the cartridge diagonally.

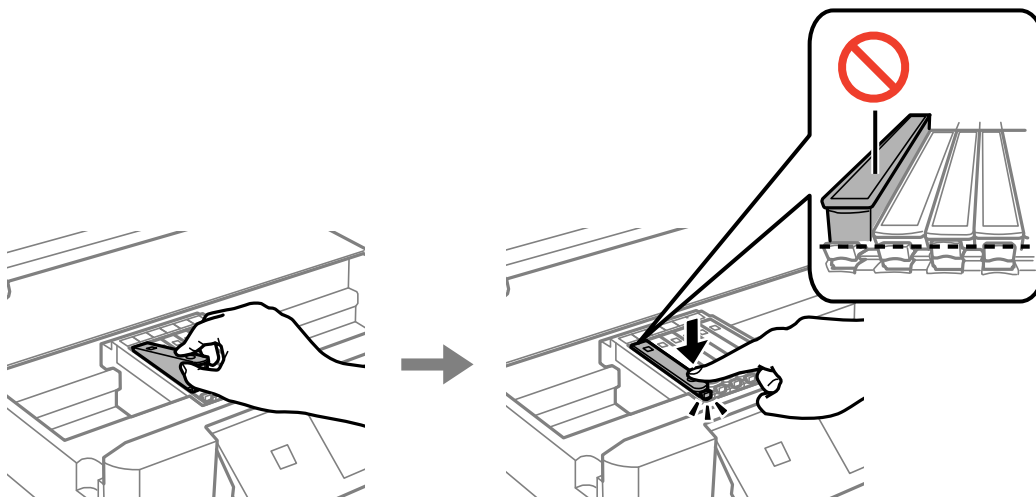



! **Important:**

If you remove the cartridge from the printer for later use or to dispose of it, make sure you put the cap back on the cartridge's ink supply port to prevent ink from drying out or to prevent surrounding areas from getting smeared by ink.



6. Insert the ink cartridge diagonally into the cartridge holder and gently push it down until it clicks into place.



7. Close the scanner unit, and then press the  button.

Replacing Ink Cartridges

8. Follow the on-screen instructions.

**Important:**

- After installing the ink cartridge, the power light continues to flash while the printer is charging ink. Do not turn off the printer during ink charging. If the ink charging is incomplete, you may not be able to print.
- Do not insert the CD/DVD tray until ink charging is complete.

Related Information

- ➔ [“Ink Cartridge Codes” on page 97](#)
- ➔ [“Ink Cartridge Handling Precautions” on page 98](#)

Temporarily Printing with Black Ink

When color ink is expended and black ink still remains when printing from a computer, you can use the following settings to continue printing for a short time using only black ink.

- Type of paper: plain papers, Envelope
- Color: **Grayscale**
- Borderless: Not selected
- EPSON Status Monitor 3: Enabled (for Windows only)

Because this feature is only available for approximately five days, replace the expended ink cartridge as soon as possible.

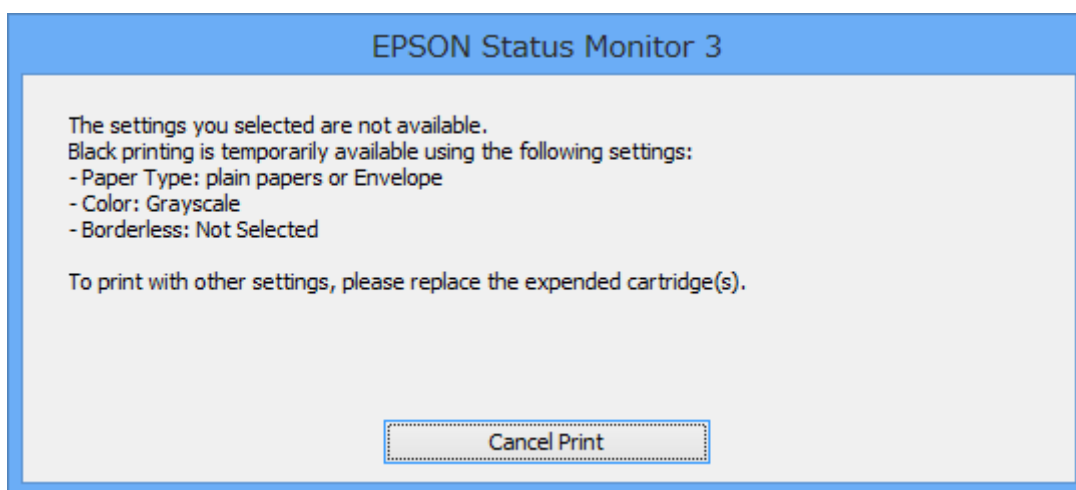
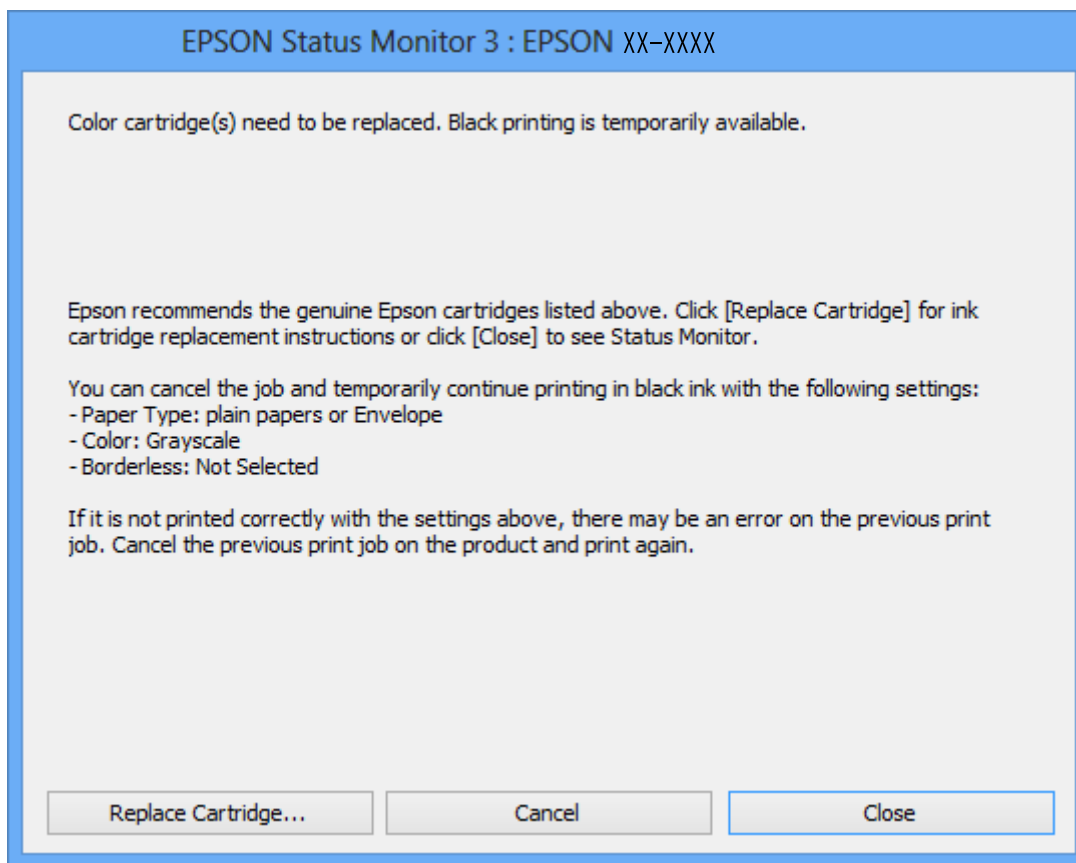
Note:

- If **EPSON Status Monitor 3** is disabled, access the printer driver, click **Extended Settings** on the **Maintenance** tab, and then select **Enable EPSON Status Monitor 3**.
- The available period varies depending on the usage conditions.

Replacing Ink Cartridges

Temporarily Printing with Black Ink - Windows

1. When the following window is displayed, cancel printing.

**Note:**

If you cannot cancel printing from the computer, cancel using the printer's control panel.

2. Access the printer driver window.
3. Clear **Borderless** on the **Main** tab.
4. Select **plain papers** or **Envelope** as the **Paper Type** setting on the **Main** tab.

Replacing Ink Cartridges

5. Select **Grayscale**.
6. Set the other items on the **Main** and **More Options** tabs as necessary, and then click **OK**.
7. Click **Print**.
8. Click **Print in Black** in the window displayed.

Related Information

- ➔ [“Loading Paper in the Paper Cassette 1” on page 24](#)
- ➔ [“Loading Paper in the Paper Cassette 2” on page 28](#)
- ➔ [“Loading Paper in the Rear Paper Feed Slot” on page 31](#)
- ➔ [“Printing Basics - Windows” on page 55](#)

Temporarily Printing with Black Ink - Mac OS X


Note:

To use this feature through a network, connect with **Bonjour**.

1. Click the printer icon in the **Dock**.
2. Cancel the job.

Note:

If you cannot cancel printing from the computer, cancel using the printer's control panel.

3. Select **System Preferences** from the  menu > **Printers & Scanners** (or **Print & Scan, Print & Fax**), and then select the printer. Click **Options & Supplies** > **Options** (or **Driver**).
4. Select **On** as the **Permit temporary black printing** setting.
5. Access the print dialog.
6. Select **Print Settings** from the pop-up menu.
7. Select any paper size except for a borderless size as the **Paper Size** setting.
8. Select **plain papers** or **Envelope** as the **Media Type** setting.
9. Select **Grayscale**.
10. Set the other items as necessary.
11. Click **Print**.

Related Information

- ➔ [“Canceling Printing” on page 79](#)
- ➔ [“Loading Paper in the Paper Cassette 1” on page 24](#)
- ➔ [“Loading Paper in the Paper Cassette 2” on page 28](#)
- ➔ [“Loading Paper in the Rear Paper Feed Slot” on page 31](#)

Replacing Ink Cartridges

➔ “Printing Basics - Mac OS X” on page 56

Conserving Black Ink when the Black Ink Is Low (for Windows Only)

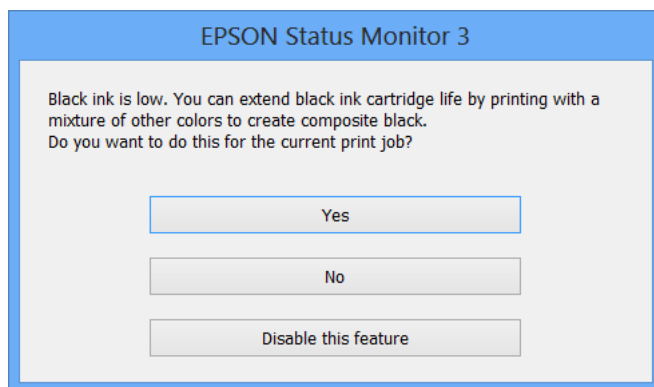
When black ink is running low and there is enough color ink remaining, you can use a mixture of color inks to create black. You can continue printing while preparing a replacement black ink cartridge.

This feature is only available when you select the following settings in the printer driver.

- Paper Type: **plain papers**
- Quality: **Standard**
- EPSON Status Monitor 3: Enabled

Note:

- If **EPSON Status Monitor 3** is disabled, access the printer driver, click **Extended Settings** on the **Maintenance** tab, and then select **Enable EPSON Status Monitor 3**.
- Composite black looks slightly different from pure black. In addition, the print speed is reduced.
- To maintain the quality of the print head, black ink is also consumed.



Options	Description
Yes	Select to use a mixture of color inks to create black. This window is displayed the next time you print a similar job.
No	Select to continue using the remaining black ink. This window is displayed the next time you print a similar job.
Disable this feature	Select to continue using the remaining black ink. This window is not displayed until you replace the black ink cartridge and it runs low again.

Maintaining the Printer


Checking and Cleaning the Print Head

If the nozzles are clogged, the printouts become faint, there is visible banding, or unexpected colors appear. When print quality has declined, use the nozzle check feature and check if the nozzles are clogged. If the nozzles are clogged, clean the print head.

! **Important:**

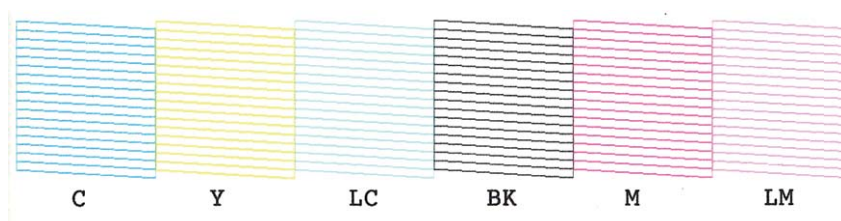
Do not open the scanner unit or turn off the printer during head cleaning. If the head cleaning is incomplete, you may not be able to print.

Note:

- Because print head cleaning uses some ink, clean the print head only if quality declines.
- When ink is low, you may not be able to clean the print head. Replace the ink cartridge first.
- If print quality has not improved after repeating nozzle check and head cleaning about two times, wait for at least six hours without printing, and then run the nozzle check again and repeat the head cleaning if necessary. We recommend to turn off the printer. If print quality has still not improved, contact Epson support.
- To prevent the print head from drying out, always turn the printer off by pressing the  button.
- To keep the print head operating at its best, we recommend printing a few pages on a regular basis.

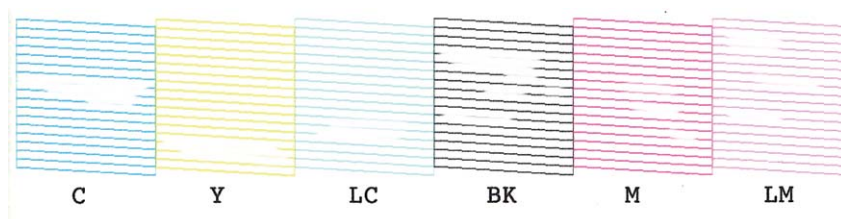
Checking and Cleaning the Print Head - Control Panel

1. Load A4-size plain paper in the paper cassette.
2. Enter **Setup** from the home screen.
3. Select **Maintenance > Nozzle Check**.
4. Follow the on-screen instructions to print the nozzle check pattern.
5. Compare the printed check pattern with the sample shown below.
 - All lines are printed: The print head nozzles are not clogged. Select **Done**.



Maintaining the Printer

- ❑ There are broken lines or missing segments: The print head nozzles may be clogged. Go to the next step.



Note:

The test pattern may vary by model.

6. Select **Clean the Print Head**.
7. Follow the on-screen instructions to clean the print head.
8. When cleaning is finished, select **Print Nozzle Check Pattern**, and then follow the on-screen instructions to print the nozzle check pattern again. Repeat cleaning and printing the pattern until all lines are printed completely.

Related Information

- ➔ [“Loading Paper in the Paper Cassette 2” on page 28](#)


Checking and Cleaning the Print Head - Windows

1. Load A4-size plain paper in the paper cassette.
2. Access the printer driver window.
3. Click **Nozzle Check** on the **Maintenance** tab.
4. Follow the on-screen instructions.

Related Information

- ➔ [“Loading Paper in the Paper Cassette 2” on page 28](#)
- ➔ [“Windows Printer Driver” on page 121](#)

Checking and Cleaning the Print Head - Mac OS X

1. Load A4-size plain paper in the paper cassette.
2. Select **System Preferences** from the  menu > **Printers & Scanners** (or **Print & Scan**, **Print & Fax**), and then select the printer.
3. Click **Options & Supplies** > **Utility** > **Open Printer Utility**.
4. Click **Nozzle Check**.
5. Follow the on-screen instructions.

Related Information

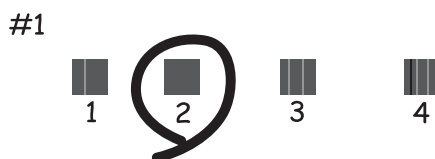
➔ [“Loading Paper in the Paper Cassette 2” on page 28](#)

Aligning the Print Head

If you notice a misalignment of vertical lines or blurred images, align the print head.

Aligning the Print Head - Control Panel

1. Load A4-size plain paper in the paper cassette.
2. Enter **Setup** from the home screen.
3. Select **Maintenance > Print Head Alignment**.
4. Follow the on-screen instructions to print the alignment pattern.
5. Follow the on-screen instructions to align the print head. Find and select the number for the most solid pattern in each group using the – or + button.

**Note:**

❑ The test pattern may vary by model.

❑ If print quality is not improved, align the print head from a computer.

Related Information

➔ [“Loading Paper in the Paper Cassette 2” on page 28](#)

Aligning the Print Head - Windows


1. Load A4-size plain paper in the paper cassette.
2. Access the printer driver window.
3. Click **Print Head Alignment** on the **Maintenance** tab.
4. Follow the on-screen instructions.

Maintaining the Printer

Related Information

- ➔ [“Loading Paper in the Paper Cassette 2” on page 28](#)
- ➔ [“Windows Printer Driver” on page 121](#)

Aligning the Print Head - Mac OS X

1. Load A4-size plain paper in the paper cassette.
2. Select **System Preferences** from the  menu > **Printers & Scanners** (or **Print & Scan, Print & Fax**), and then select the printer.
3. Click **Options & Supplies** > **Utility** > **Open Printer Utility**.
4. Click **Print Head Alignment**.
5. Follow the on-screen instructions.

Related Information

- ➔ [“Loading Paper in the Paper Cassette 2” on page 28](#)

Cleaning the Paper Path

When the printouts are smeared or scuffed, clean the roller inside. You cannot use the cleaning sheet that came with Epson paper.

**Important:**

Do not use tissue paper to clean the inside of the printer. The print head nozzles may be clogged with lint.

1. Make sure there is no dust or stains on the scanner glass and the document cover.
2. Load A4-size plain paper in the paper cassette.
3. Start copying without placing an original on the scanner glass.

Note:

Repeat this procedure until the paper is not smeared with ink. If you are using the rear paper feed slot, load A4-size (or A3-size) plain paper after starting to copy.

Related Information

- ➔ [“Loading Paper in the Paper Cassette 2” on page 28](#)
- ➔ [“Loading Paper in the Rear Paper Feed Slot” on page 31](#)
- ➔ [“Copying Basics” on page 80](#)

Cleaning the Scanner Glass

When the copies or scanned images are smeared or scuffed, clean the scanner glass.

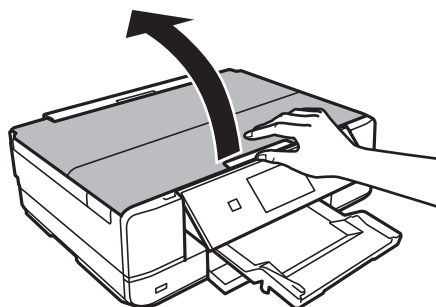
Maintaining the Printer



Important:

Never use alcohol or thinner to clean the printer. These chemicals can damage the printer.

1. Open the document cover.



2. Use a soft, dry, clean cloth to clean the surface of the scanner glass.

Note:

- If the glass surface is stained with grease or some other hard-to-remove material, use a small amount of glass cleaner and a soft cloth to remove it. Wipe off all remaining liquid.*
- Do not press the glass surface too hard.*
- Be careful not to scratch or damage the surface of the glass. A damaged glass surface can decrease the scan quality.*

Saving Power

The printer enters sleep mode or turns off automatically if no operations are performed for a set period. You can adjust the time before power management is applied. Any increase will affect the printer's energy efficiency. Please consider the environment before making any change.

Saving the Power - Control Panel


1. Enter **Setup** from the home screen.
2. Select **Printer Setup**.
3. Select **Power Off Timer** or **Sleep Timer**.
4. Select the setting.

Saving Power - Windows

1. Access the printer driver window.
2. Click **Printer and Option Information** on the **Maintenance** tab.
3. Select the time period before the printer enters sleep mode as the **Sleep Timer** setting, and click **Send**. To make the printer turn off automatically, select the time period as the **Power Off Timer** setting, and click **Send**.
4. Click **OK**.

Maintaining the Printer

Saving Power - Mac OS X

1. Select **System Preferences** from the  menu > **Printers & Scanners** (or **Print & Scan, Print & Fax**), and then select the printer.
2. Click **Options & Supplies** > **Utility** > **Open Printer Utility**.
3. Click **Printer Settings**.
4. Select the time period before the printer enters sleep mode as the **Sleep Timer** setting, and click **Apply**. To make the printer turn off automatically, select the time period as the **Power Off Timer** setting, and click **Apply**.

Menu Options for Setup Mode

By selecting **Setup** on the home screen from the control panel, you can make printer settings or perform printer maintenance.

Menu Options for Ink Levels

Select the menus on the control panel as described below.

Setup > Ink Levels

Displays the approximate levels of the ink cartridges. When an ! icon is displayed, the ink cartridge is running low. When a X mark is displayed, the ink cartridge is expended.

Menu Options for Maintenance

Select the menus on the control panel as described below.

Setup > Maintenance

Nozzle Check

Prints a pattern to check if the print head nozzles are clogged.

Head Cleaning

Cleans clogged nozzles in the print head.

Print Head Alignment

Adjusts the print head to improve print quality.

Ink Cartridge(s) Replacement

Use this feature to replace the ink cartridges before the ink is expended.

Related Information

- ➔ [“Checking and Cleaning the Print Head” on page 107](#)
- ➔ [“Aligning the Print Head” on page 109](#)

Menu Options for Printer Setup

Select the menus on the control panel as described below.

Setup > Printer Setup

Paper Source Setting

- Paper Setup

Select the paper size and paper type you loaded in the paper source.

Menu Options for Setup Mode

Paper Configuration

Automatically displays the paper settings screen when paper is loaded. Disable this feature if you always load the same size of paper and you do not want to make paper settings every time you load paper. AirPrint is not available when this is disabled. Also, the printer does not warn you even if the paper settings do not match the paper you loaded.

CD/DVD

Adjusts the printing position of a CD/DVD by moving up, down, left, or right to fit.

Stickers

Adjusts the printing position of a photo sticker by moving up, down, left, or right to fit.

Thick Paper

Use this feature if ink smears and the paper gets dirty. When enabled, the printing speed may be slower. Only enable this setting when ink smears. This feature is disabled when the power is turned off.

Sound

Adjusts the volume and turns sound on or off when you press buttons or an error occurs.

Quiet Mode

Reduces the noise the printer makes, however, this may reduce print speed. Depending on the paper type and print quality settings you selected, there may be no difference in the printer's noise level.

Screen Saver

By selecting **Memory Card Data**, photos are displayed sequentially when no operations are performed for about three minutes.

Auto Power On

Turns on the printer automatically when it receives a print or scan job by USB-connection or a network connection. Use the **Power Off Timer** setting if you want the printer to automatically turn off when the job is finished and a set time period has passed with no operations performed. This is useful when printing from a remote location such as over the Internet. However, enabling Auto Power On increases power consumption slightly in standby status when compared to turning the printer off completely.

Power Off Timer

Automatically turns the printer off if no operations are performed for a set time period. You can adjust the time before power management is applied. Any increase will affect the printer's energy efficiency. Please consider the environment before making any change.

Sleep Timer

Select the time period before the printer enters sleep mode (energy saving mode) when no operations are performed. The LCD screen turns black when the set time passes.

Clear All Settings

Resets the settings in **Printer Setup** to their defaults.

Menu Options for Basic Setup

Select the menus on the control panel as described below.

Setup > Basic Setup

Language

Select the display language.

Menu Options for Network Settings

Select the menus on the control panel as described below.

Setup > Network Settings

Network Status

Displays or prints the network settings and connection status.

Wi-Fi Setup

See the *Network Guide* to make the following settings.

Wi-Fi Setup Wizard

Select a SSID, enter a password, and then connect the printer to a wireless (Wi-Fi) network.

Push Button Setup (WPS)

Connects the printer to a wireless (Wi-Fi) network by pressing a WPS push button on a wireless router.

PIN Code Setup (WPS)

In the wireless router utility, enter the PIN code displayed on the printer's screen to connect the printer to a wireless (Wi-Fi) network.

Wi-Fi Auto Connect

Connects the printer to a wireless (Wi-Fi) network using a computer that is connected to the access point. Insert the software disc supplied with the printer into the computer, and then follow the on-screen instructions. When you are prompted to operate the printer, run this menu.

Disable Wi-Fi

Disables the connection by turning off the wireless signal without deleting the network information. To enable the connection, set up the wireless (Wi-Fi) network again.

Wi-Fi Direct Setup

Connects the printer to a wireless (Wi-Fi) network without a wireless router.

Manual Network Setup

Changes the network settings, such as the printer name or TCP/IP. See the *Network Guide* for more details.

Network Connection Check

Menu Options for Setup Mode

Checks the status of the network connection and prints the network connection check report. If there are any problems with the connection, see the check report to solve the problem. See the *Network Guide* for more details.

Menu Options for Epson Connect Services

Select the menus on the control panel as described below.

Setup > Epson Connect Services

Status

Check whether or not the printer is registered and connected to the Epson Connect services.

Email Address

Check the printer's email address that is registered to the Epson Connect services.

Register/Delete

Register or delete the printer to or from the Epson Connect services.

Suspend/Resume

Select whether to suspend or resume Epson Connect services.

Menu Options for Google Cloud Print Services

Select the menus on the control panel as described below.

Setup > Google Cloud Print Services

Status

Check whether or not the printer is registered and connected to the Google Cloud Print services.

Suspend/Resume

Select whether to suspend or resume Google Cloud Print services.

Restore Default Settings

Resets the settings to their defaults.

Menu Options for File Sharing Setup

Select the menus on the control panel as described below.

Setup > File Sharing Setup

Select the connection method between the printer and a computer that will have write access to the memory card inserted in the printer. Read and write access is given to the computer with the priority connection. Only read access is given to other computers.

Menu Options for Setup Mode

Related Information

➔ [“Accessing a Memory Card From a Computer” on page 164](#)

Menu Options for Home NW Print Settings

Select the menus on the control panel as described below.

Setup > **Home NW Print Settings**

Make print settings for printing from an external device that is connected to a home network.

Related Information

➔ [“Menu Options for Printing from the Control Panel” on page 51](#)

Menu Options for External Device Setup

Select the menus on the control panel as described below.

Setup > **External Device Setup**

Change the print settings to print directly from an external device such as a digital camera. For explanations on each setting item, see the descriptions of the menu options for printing from the control panel.

Related Information

➔ [“Menu Options for Printing from the Control Panel” on page 51](#)

Menu Options for Guide Functions

Select the menus on the control panel as described below.

Setup > **Guide Functions**

Paper Setting Alert

Displays a warning if the paper settings (print settings) for the print job do not match the printer's paper settings made when you loaded the paper. This setting prevents misprinting. However, the paper setting screen is not displayed when **Paper Configuration** is disabled in the following menus.

Setup > **Printer Setup** > **Paper Source Setting**

Document Alert

Displays a warning when an original has been left on the scanner glass when the document cover is not open even though copying and scanning using the control panel is complete.

Auto Selection Mode

When any of the following operations are performed, the menus appropriate to the operation are displayed.

A memory card is inserted.

Menu Options for Setup Mode

- An original is placed on the scanner glass.

All Functions

Enables or disables all guidance functions.

Clear All Settings

Resets the **Guide Functions** settings to their defaults.

Menu Options for Firmware Update

Select the menus on the control panel as described below.

Setup > Firmware Update

Update

Checks if the latest version of the firmware has been uploaded to the network server. If an update is available, you can select whether or not to start updating.

Current Version

Displays the current firmware version of your printer.

Notification

Checks for firmware updates periodically and notifies you if an update is available.

Related Information

➔ [“Updating the Printer's Firmware using the Control Panel” on page 132](#)

Menu Options for Restore Default Settings

Select the menus on the control panel as described below.

Setup > Restore Default Settings

Network Settings

Resets the network settings to their defaults.

All Except Network Settings

Resets all settings except for network settings to their defaults.

All Settings

Resets all settings to their defaults.

Network Service and Software Information

This section introduces the network services and software products available for your printer from the Epson website or the supplied CD.

Epson Connect Service

By using Epson Connect service available on the Internet, you can print from your smartphone, tablet PC, or laptop, anytime and practically anywhere.

The features available on the Internet are as follows.

Email Print	Epson iPrint remote print	Scan to Cloud	Remote Print Driver
✓	✓	✓	✓

See the Epson Connect portal website for details.

<https://www.epsonconnect.com/>

<http://www.epsonconnect.eu> (Europe only)

Web Config

Web Config is an application that runs in a web browser, such as Internet Explorer and Chrome, on a computer or smart device. You can confirm the printer status or change the network service and printer settings. To use the Web Config, connect the printer and the computer or device to the same network.

Note:


The following browsers are supported.

OS	Browser
Windows XP or later	Internet Explorer 8 or later, Firefox [*] , Chrome [*]
Mac OS X v10.6.8 or later	Safari [*] , Firefox [*] , Chrome [*]
iOS [*]	Safari [*]
Android 2.3 or later	Default browser
Chrome OS [*]	Default browser

*: Use the latest version.

Running Web Config on a Web Browser

1. Check the printer's IP address.

Press the network icon (for example ) from the home screen, and then press **See Connection Details**. Check the printer's IP address on the screen displayed.

2. Launch a Web browser from a computer or smart device, and then enter the printer's IP address.

Format:

IPv4: http://the printer's IP address/

IPv6: http://[the printer's IP address]/

Examples:

IPv4: http://192.168.100.201/

IPv6: http://[2001:db8::1000:1]/

Note:

Using the smart device, you can also run Web Config from the maintenance screen of Epson iPrint.

Related Information


➔ [“Using Epson iPrint” on page 74](#)

Running Web Config on Windows

When connecting a computer to the printer using WSD, follow the steps below to run Web Config.

1. Access the devices and printers screen in Windows.
 - Windows 8.1/Windows 8
Select **Desktop > Settings > Control Panel > View devices and printers in Hardware and Sound (or Hardware)**.
 - Windows 7
Click the start button, and select **Control Panel > View devices and printers in Hardware and Sound**.
 - Windows Vista
Click the start button, and select **Control Panel > Printers in Hardware and Sound**.
2. Right-click on your printer and select **Properties**.
3. Select the **Web Service** tab and click the URL.

Running Web Config on Mac OS X

1. Select **System Preferences** from the  menu > **Printers & Scanners** (or **Print & Scan, Print & Fax**), and then select the printer.
2. Click **Options & Supplies > Show Printer Webpage**.

Windows Printer Driver

The printer driver controls the printer according to the commands from an application. Making settings on the printer driver provides the best printing results. You can also check the status of the printer or keep it in top operating condition using the printer driver utility.

Note:

*You can change the language of the printer driver. Select the language you want to use from the **Language** setting on the **Maintenance** tab.*

Accessing the printer driver from applications

To make settings that apply only to the application you are using, access from that application.

Select **Print** or **Print Setup** from the **File** menu. Select your printer, and then click **Preferences** or **Properties**.

Note:

Operations differ depending on the application. See the application's help for details.

Accessing the printer driver from the control panel

To make settings that apply to all of the applications, access from the control panel.

 Windows 8.1/Windows 8

Select **Desktop > Settings > Control Panel > View devices and printers** in **Hardware and Sound**. Right-click on your printer, or press and hold it and then select **Printing preferences**.

 Windows 7

Click the start button, and select **Control Panel > View devices and printers** in **Hardware and Sound**. Right-click on your printer and select **Printing preferences**.

 Windows Vista

Click the start button, and select **Control Panel > Printers** in **Hardware and Sound**. Right-click on your printer and select **Printing preferences**.

 Windows XP

Click the start button, and select **Control Panel > Printers and Other Hardware > Printers and Faxes**. Right-click on your printer and select **Printing preferences**.

Accessing the printer driver from the printer icon on the task bar

The printer icon on the desktop task bar is a shortcut icon allowing you to quickly access the printer driver.

If you click the printer icon and select **Printer Settings**, you can access the same printer settings window as the one displayed from the control panel. If you double-click this icon, you can check the status of the printer.

Note:

*If the printer icon is not displayed on the task bar, access the printer driver window, click **Monitoring Preferences** on the **Maintenance** tab, and then select **Register the shortcut icon to the taskbar**.*

Guide to Windows Printer Driver

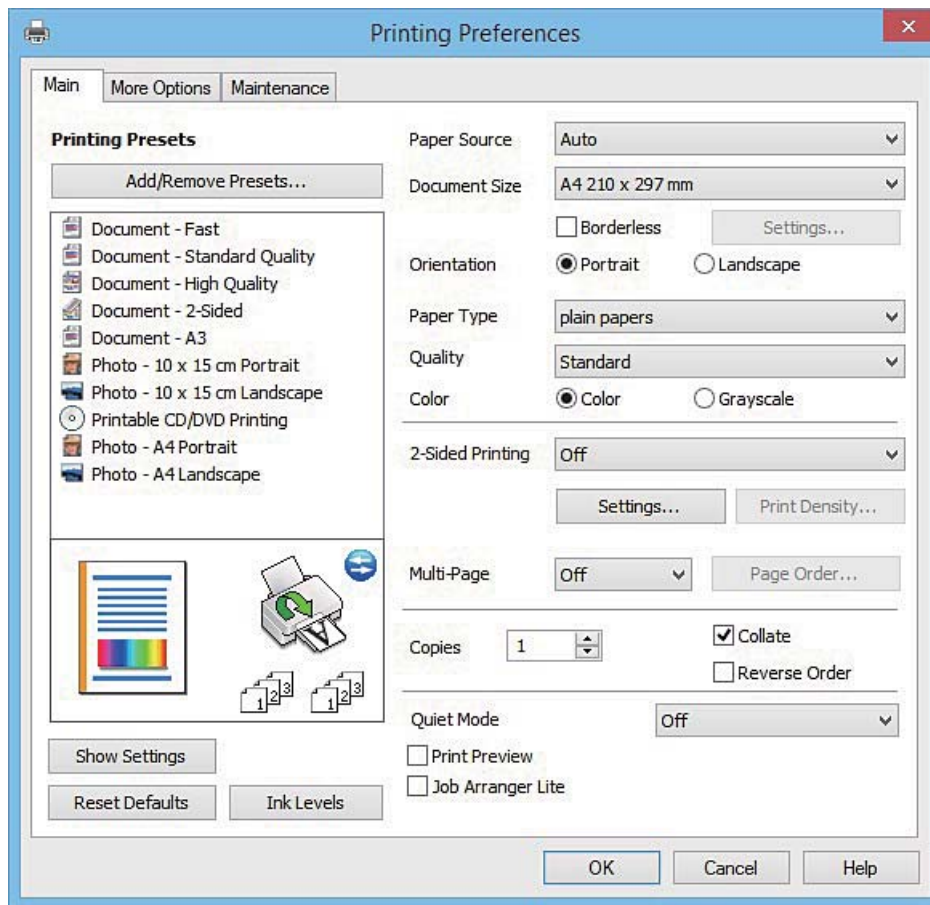
Help is available in the printer driver for Windows. To view explanations of the setting items, right-click on each item, and then click **Help**.

Main Tab

You can make basic settings for printing, such as paper type or paper size.

Network Service and Software Information

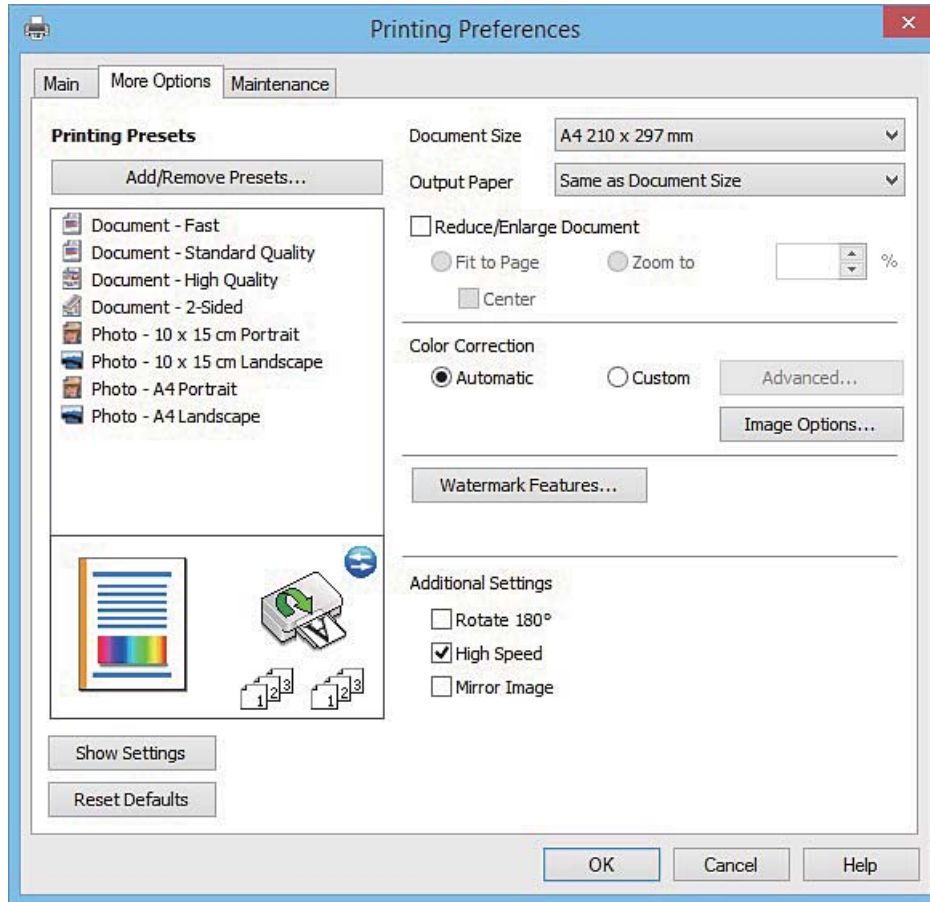
You can also make settings for printing both sides of the paper or printing multiple pages on one sheet.



Network Service and Software Information

More Options Tab

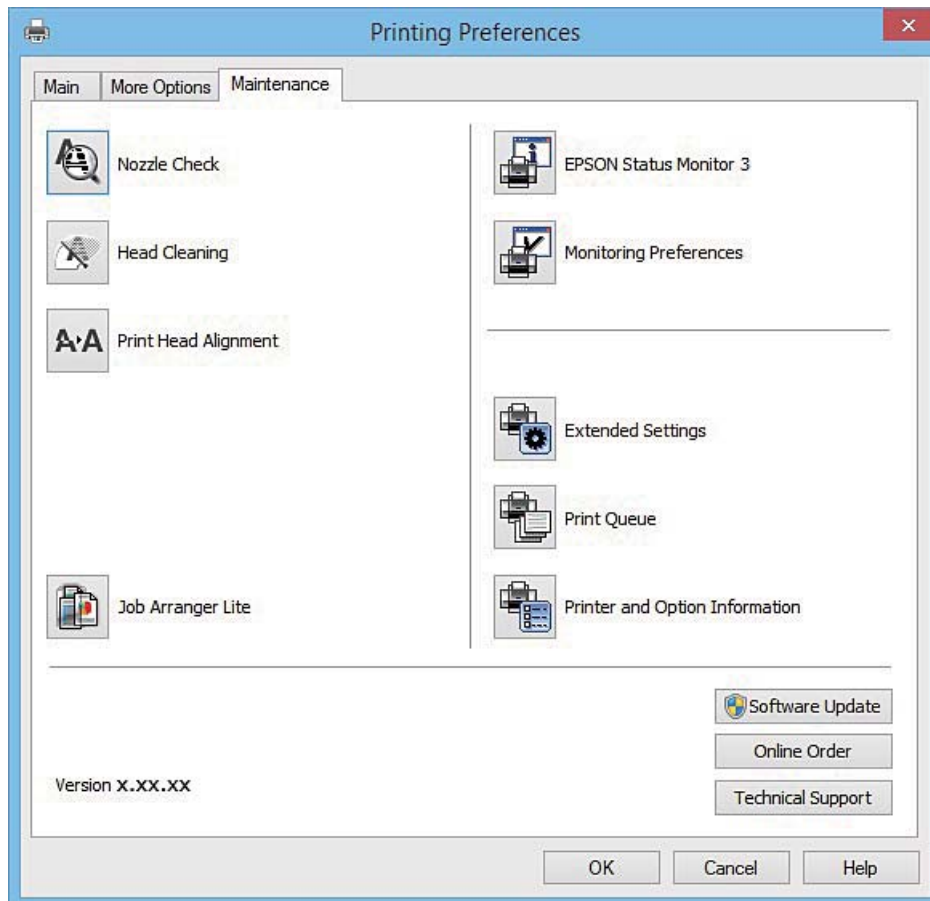
You can select additional layout and printing options such as changing the size of a printout or making color corrections.



Network Service and Software Information

Maintenance Tab

You can run maintenance features such as nozzle check and print head cleaning, and by starting **EPSON Status Monitor 3**, you can check printer status and error information.



Making Operation Settings for the Windows Printer Driver

You can make settings such as enabling **EPSON Status Monitor 3**.

1. Access the printer driver window.
2. Click **Extended Settings** on the **Maintenance** tab.
3. Make the appropriate settings, and then click **OK**.
See the online help for explanations of the setting items.

Related Information

➔ [“Windows Printer Driver” on page 121](#)

Mac OS X Printer Driver

The printer driver controls the printer according to the commands from an application. Making settings on the printer driver provides the best printing results. You can also check the status of the printer or keep it in top operating condition using the printer driver utility.

Network Service and Software Information

Accessing the printer driver from applications

Click **Page Setup** or **Print** on the **File** menu of your application. If necessary, click **Show Details** (or ▼) to expand the print window.

Note:

Depending on the application being used, **Page Setup** may not be displayed in the **File** menu, and the operations for displaying the print screen may differ. See the application's help for details.

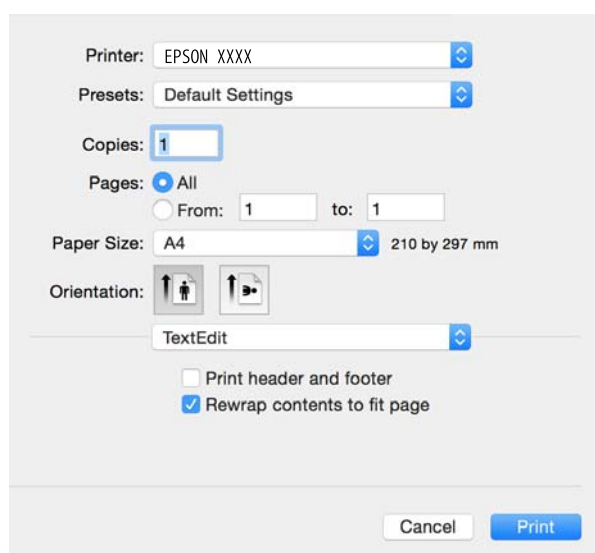
Starting the utility

Select **System Preferences** from the  menu > **Printers & Scanners** (or **Print & Scan, Print & Fax**), and then select the printer. Click **Options & Supplies** > **Utility** > **Open Printer Utility**.

Guide to Mac OS X Printer Driver

Print dialog

Switch the pop-up menu on the center of the screen to show more items.




Pop-up Menu	Descriptions
Print Settings	You can make the basic print settings such as paper type and print quality.
Two-sided Printing Settings	You can select a binding direction for 2-sided printing or select a document type.
Layout	You can select a layout for printing several pages on one sheet or select to print a border.
Paper Handling	You can reduce or enlarge the size of the print job to automatically fit the paper size you loaded.
Color Matching	You can adjust the colors.
Color Options	When you select EPSON Color Controls from the Color Matching menu, you can select a color correction method.

Network Service and Software Information

Note:

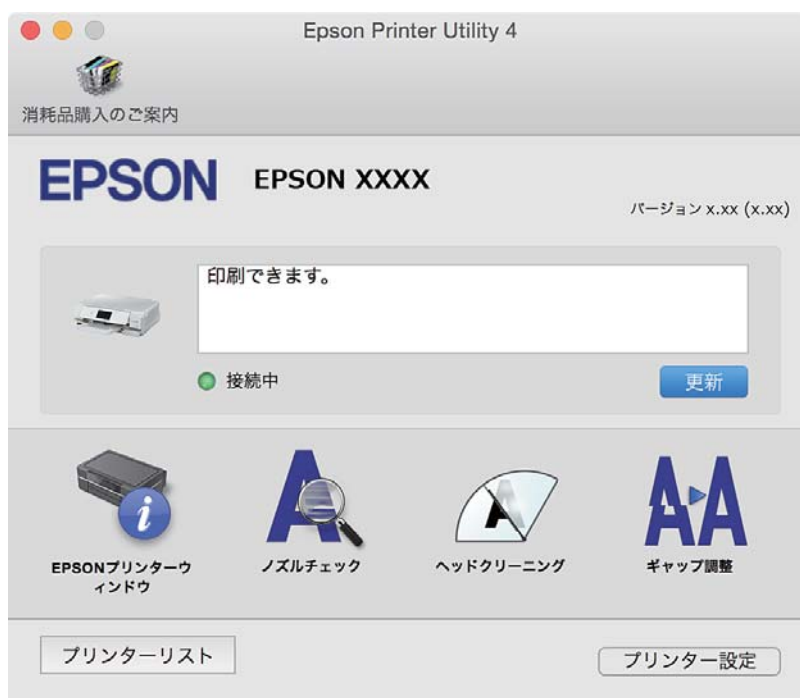
On Mac OS X v10.8.x or later, if **Print Settings** menu is not displayed, Epson printer driver has not been installed correctly.

Select **System Preferences** from the  menu > **Printers & Scanners** (or **Print & Scan**, **Print & Fax**), remove the printer, and then add the printer again. See the following to add a printer.

<http://epson.sn>


Epson Printer Utility

You can run a maintenance feature such as nozzle check and print head cleaning, and by starting **EPSON Status Monitor**, you can check printer status and error information.



Making Operation Settings for the Mac OS X Printer Driver

Accessing the Operation Settings Window of the Mac OS X Printer Driver

Select **System Preferences** from the  menu > **Printers & Scanners** (or **Print & Scan**, **Print & Fax**), and then select the printer. Click **Options & Supplies** > **Options** (or **Driver**).

Operation Settings of the Mac OS X Printer Driver

- Thick paper and envelopes: Prevents the ink from smearing when printing on thick paper. However, this may reduce print speed.
- Skip Blank Page: Avoids printing blank pages.
- Quiet Mode: Reduces the noise the printer makes, however, may reduce print speed.
- Permit temporary black printing: Prints only with black ink temporarily.
- Automatic Cassette Switching: Automatically feeds paper from paper cassette 2 when paper run out in paper cassette 1.

Network Service and Software Information

- High Speed Printing: Prints when the print head moves in both directions. The print speed is faster, but the quality may decline.
- Warning Notifications: Allows the printer driver to display warning notifications.
- Establish bidirectional communication: Usually, this should be set to **On**. Select **Off** when acquiring the printer information is impossible because the printer is shared with Windows computers on a network or for any other reason.

Related Information

- ➔ [“Temporarily Printing with Black Ink” on page 103](#)

EPSON Scan (Scanner Driver)

EPSON Scan is an application for controlling scanning. You can adjust the size, resolution, brightness, contrast, and quality of the scanned image.

Note:

You can also start EPSON Scan from a TWAIN-compliant scanning application.

Starting on Windows

- Windows 8.1/Windows 8
Enter the application name in the search charm, and then select the displayed icon.
- Except for Windows 8.1/Windows 8
Click the start button, and select **All Programs** or **Programs > EPSON > EPSON Scan > EPSON Scan**.

Starting on Mac OS X

Note:

EPSON Scan does not support the Mac OS X fast user switching feature. Turn off fast user switching.

Select **Go > Applications > Epson Software > EPSON Scan**.

Epson Event Manager

Epson Event Manager is an application that allows you to manage scanning from the control panel and save images to a computer. You can add your own settings as presets, such as the document type, the save folder location, and the image format. See the application's help for details.

Starting on Windows

- Windows 8.1/Windows 8
Enter the application name in the search charm, and then select the displayed icon.
- Except for Windows 8.1/Windows 8
Click the start button, and select **All Programs** or **Programs > Epson Software > Event Manager**.

Starting on Mac OS X

Select **Go > Applications > Epson Software > Event Manager**.

Related Information

➔ [“Scanning to a Computer” on page 88](#)

Epson Easy Photo Print

Epson Easy Photo Print is an application that allows you to easily print photos with various layouts. You can preview the photo image and adjust the images or position. You can also print photos with a frame. See the application's help for details.

Note:

To use this application, the printer driver needs to be installed.

Starting on Windows

- Windows 8.1/Windows 8

Enter the application name in the search charm, and then select the displayed icon.

- Except for Windows 8.1/Windows 8

Click the start button, and then select **All Programs** or **Programs > Epson Software > Epson Easy Photo Print**.

Starting on Mac OS X

Select **Go > Applications > Epson Software > Epson Easy Photo Print**.

Epson Print CD

Epson Print CD is an application that allows you to design a CD/DVD label to be printed directly onto a CD/DVD. You can also print a CD/DVD jacket for CD/DVD case. See the application's help for details.

Note:

To use this application, the printer driver needs to be installed.

Starting on Windows

- Windows 8/Windows 8.1

Enter the application name in the search charm, and then select the displayed icon.

- Except for Windows 8/Windows 8.1

Click the start button, and then select **All Programs** or **Programs > Epson Software > Print CD**.

Starting on Mac OS X

Select **Go-Applications > Epson Software > Print CD > Print CD**.

E-Web Print (for Windows Only)

E-Web Print is an application that allows you to easily print web pages with various layouts. See the application's help for details. You can access the help from the **E-Web Print** menu on the **E-Web Print** tool bar.

Starting

When you install E-Web Print, it is displayed in your browser. Click **Print** or **Clip**.

Easy Photo Scan

Easy Photo Scan is an application that allows you to scan photos and easily send the scanned image to a computer or cloud service. You can also easily adjust the scanned image. See the application's help for details.

Note:

To use this application, the scanner driver EPSON Scan needs to be installed.

Starting on Windows

- Windows 8.1/Windows 8

Enter the application name in the search charm, and then select the displayed icon.

- Except for Windows 8.1/Windows 8

Click the start button, and select **All Programs** or **Programs > Epson Software > Easy Photo Scan**.

Starting on Mac OS X

Select **Go > Applications > Epson Software > Easy Photo Scan**.

EPSON Software Updater

EPSON Software Updater is an application that checks for new or updated software on the internet and installs it. You can also update the printer's firmware and manual.

Starting on Windows

- Windows 8.1/Windows 8

Enter the application name in the search charm, and then select the displayed icon.

- Except for Windows 8.1/Windows 8

Click the start button, and select **All Programs** or **Programs > Epson Software > EPSON Software Updater**.

Note:

*You can also start EPSON Software Updater by clicking the printer icon on the task bar on the desktop, and then selecting **Software Update**.*

Starting on Mac OS X


Select **Go > Applications > Epson Software > EPSON Software Updater**.

Uninstalling Applications

Note:

Log on to your computer as an administrator. Enter the administrator password if the computer prompts you.

Uninstalling Applications - Windows



1. Press the  button to turn off the printer.
2. Quit all running applications.
3. Open **Control Panel**:
 - Windows 8.1/Windows 8
Select **Desktop > Settings > Control Panel**.
 - Except for Windows 8.1/Windows 8
Click the start button and select **Control Panel**.
4. Open **Uninstall a program** (or **Add or Remove Programs**):
 - Windows 8.1/Windows 8/Windows 7/Windows Vista
Select **Uninstall a program** in **Programs**.
 - Windows XP
Click **Add or Remove Programs**.
5. Select the application you want to uninstall.
6. Uninstall the applications:
 - Windows 8.1/Windows 8/Windows 7/Windows Vista
Click **Uninstall/Change** or **Uninstall**.
 - Windows XP
Click **Change/Remove** or **Remove**.

Note:

If the **User Account Control** window is displayed, click **Continue**.


7. Follow the on-screen instructions.

Uninstalling Applications - Mac OS X

1. Download the Uninstaller using EPSON Software Updater.
Once you have downloaded the Uninstaller, you do not need to download it again each time you uninstall the application.
2. Press the  button to turn off the printer.
3. To uninstall the printer driver, select **System Preferences** from the  menu > **Printers & Scanners** (or **Print & Scan, Print & Fax**), and then remove the printer from the enabled printers list.
4. Quit all running applications.
5. Select **Go > Applications > Epson Software > Uninstaller**.

Network Service and Software Information

6. Select the application you want to uninstall, and then click **Uninstall**.

 **Important:**

The Uninstaller removes all drivers for Epson inkjet printers on the computer. If you use multiple Epson inkjet printers and you only want to delete some drivers, delete all of them first, and then install the necessary printer driver again.

Note:

*If you cannot find the application you want to uninstall in the application list, you cannot uninstall using the Uninstaller. In this situation, select **Go > Applications > Epson Software**, select the application you want to uninstall, and then drag it to the trash icon.*

Related Information

- ➔ [“EPSON Software Updater” on page 129](#)

Installing Applications

Connect your computer to the network and install the latest version of applications from the website.

Note:

- Log on to your computer as an administrator. Enter the administrator password if the computer prompts you.
- When reinstalling an application, you need to uninstall it first.

1. Quit all running applications.
2. When installing the printer driver or EPSON Scan, disconnect the printer and the computer temporarily.

Note:

Do not connect the printer and the computer until you are instructed to do so.

3. Install the applications by following the instructions on the website below.

<http://epson.sn>

Note:

If you are using a Windows computer and you cannot download applications from the website, install them from the software disc that came with the printer.

Related Information

- ➔ [“Uninstalling Applications” on page 129](#)

Updating Applications and Firmware

You may be able to clear certain problems and improve or add functions by updating the applications and the firmware. Make sure you use the latest version of the applications and firmware.

1. Make sure that the printer and the computer are connected, and the computer is connected to the internet.

Network Service and Software Information

2. Start EPSON Software Updater, and update the applications or the firmware.

**Important:**

Do not turn off the computer or the printer while updating.

Note:

If you cannot find the application you want to update in the list, you cannot update using the EPSON Software Updater. Check for the latest versions of the applications from your local Epson website.

<http://www.epson.com>

Related Information

➔ [“EPSON Software Updater” on page 129](#)

Updating the Printer's Firmware using the Control Panel

If the printer is connected to the Internet, you can update the printer's firmware using the control panel. By updating the firmware, the printer's performance may improve, or new functions may be added. You can also set the printer to regularly check for firmware updates and notify you if any are available.

1. Enter **Setup** from the home screen.
2. Select **Firmware Update > Update**.

Note:

*Select **Notification > On** to set the printer to regularly check for available firmware updates.*

3. Press **Proceed**. The printer starts searching for available updates.
4. If a message is displayed on the LCD screen informing you that a firmware update is available, follow the on-screen instructions to start the update.

**Important:**

- Do not turn off or unplug the printer until the update is complete; otherwise, the printer may malfunction.*
- If the firmware update is not completed or is unsuccessful, the printer does not start up normally and "Recovery Mode" is displayed on the LCD screen the next time the printer is turned on. In this situation, you need to update the firmware again using a computer. Connect the printer to the computer with a USB cable. While "Recovery Mode" is displayed on the printer, you cannot update the firmware over a network connection. On the computer, access your local Epson website, and then download the latest printer firmware. See the instructions on the website for the next steps.*

Related Information


➔ [“Technical Support Web Site” on page 165](#)

Solving Problems

Checking the Printer Status

Checking Messages on the LCD Screen

If an error message is displayed on the LCD screen, follow the on-screen instructions or the solutions below to solve the problem.

Error Messages	Solutions
Printer error. Turn the power off and on again. For details, see your documentation.	If the error message is still displayed after turning the power off and on again, contact Epson support.
Operation canceled. An error occurred while saving.	The external storage device, such as a memory card, may be damaged. Check if the device is available.
Ink is low.	You can continue printing until you are prompted to replace the ink cartridges. However, note that the printer cannot print if any of the ink cartridges is expended. Prepare new cartridges as soon as possible.
You need to replace the following ink cartridge(s).	To ensure you receive premium print quality and to help protect your print head, a variable ink safety reserve remains in the cartridge when your printer indicates it is time to replace the cartridge. Replace the cartridge when you are prompted to do so.
Ink cartridge(s) are low. Print job may not print completely.	<p>Press Proceed on the error message screen to select one of the following options.</p> <p>Replace before printing</p> <p>Continue printing</p> <p>Cancel printing</p> <p>If any of the ink cartridges is expended during printing, the paper is ejected in the middle of printing. When printing on paper larger than A4 size, we recommend selecting Replace before printing and replacing the ink cartridge with a new one. We strongly recommend replacing with a large size Epson ink cartridge.</p>
Paper Configuration is disabled. Some features may not be available. For details, see your documentation.	If Paper Configuration is disabled, you cannot use AirPrint. In addition, messages notifying you that the paper size and type do not match are not displayed. Keep this setting enabled unless you always use the same size and type of paper and do not need to change the paper settings.
The printer's ink pad is nearing the end of its service life. Please contact Epson Support.	<p>Contact Epson or an authorised Epson service provider to replace the ink pad*. It is not a user-serviceable part. The message will be displayed until the ink pad is replaced.</p> <p>Press the  button to resume printing.</p>
The printer's ink pad is at the end of its service life. Please contact Epson Support.	Contact Epson or an authorised Epson service provider to replace the ink pad*. It is not a user-serviceable part.
Communication error. Check if a computer is connected.	Connect the computer and the printer correctly. If you are connecting over a network, see the <i>Network Guide</i> . If the error message is still displayed, make sure that EPSON Scan and Epson Event Manager are installed on the computer.

Solving Problems

Error Messages	Solutions
Combination of the IP address and the subnet mask is invalid. See your documentation.	See the <i>Network Guide</i> .
Update the root certificate to use cloud services.	Run Web Config, and then update the root certificate.
Recovery Mode	<p>The printer has started in recovery mode because the firmware update failed. Follow the steps below to try to update the firmware again.</p> <ol style="list-style-type: none"> 1. Connect the computer and the printer with a USB cable. (During recovery mode, you cannot update the firmware over a network connection.) 2. Download the latest firmware from the Epson website and start to update the firmware of your printer. <p>For details, see the instructions on how to update on the download page.</p>

* In some print cycles a very small amount of surplus ink may be collected in the ink pad. To prevent ink leakage from the pad, the printer is designed to stop printing when the pad has reached its limit. Whether and how often this is required will vary according to the number of pages you print, the type of material that you print and the number of cleaning cycles that the printer performs. The need for replacement of the pad does not mean that your printer has ceased to operate in accordance with its specifications. The printer will advise you when the pad requires replacing and this can only be performed by an authorised Epson Service provider. The Epson warranty does not cover the cost of this replacement.

Related Information

- ➔ [“Contacting Epson Support” on page 166](#)
- ➔ [“Supported Memory Card Specifications” on page 158](#)
- ➔ [“Supported External Storage Device Specifications” on page 159](#)
- ➔ [“Installing Applications” on page 131](#)
- ➔ [“Web Config” on page 119](#)
- ➔ [“Updating Applications and Firmware” on page 131](#)

Checking the Printer Status - Windows

1. Access the printer driver window.
2. Click **EPSON Status Monitor 3** on the **Maintenance** tab.


Note:

- You can also check the printer status by double-clicking the printer icon on the taskbar. If the printer icon is not added to the taskbar, click **Monitoring Preferences** on the **Maintenance** tab, and then select **Register the shortcut icon to the taskbar**.
- If **EPSON Status Monitor 3** is disabled, click **Extended Settings** on the **Maintenance** tab, and then select **Enable EPSON Status Monitor 3**.

Related Information

- ➔ [“Windows Printer Driver” on page 121](#)

Checking Printer Status - Mac OS X

1. Select **System Preferences** from the  menu > **Printers & Scanners** (or **Print & Scan, Print & Fax**), and then select the printer.
2. Click **Options & Supplies** > **Utility** > **Open Printer Utility**.
3. Click **EPSON Status Monitor**.

Removing Jammed Paper

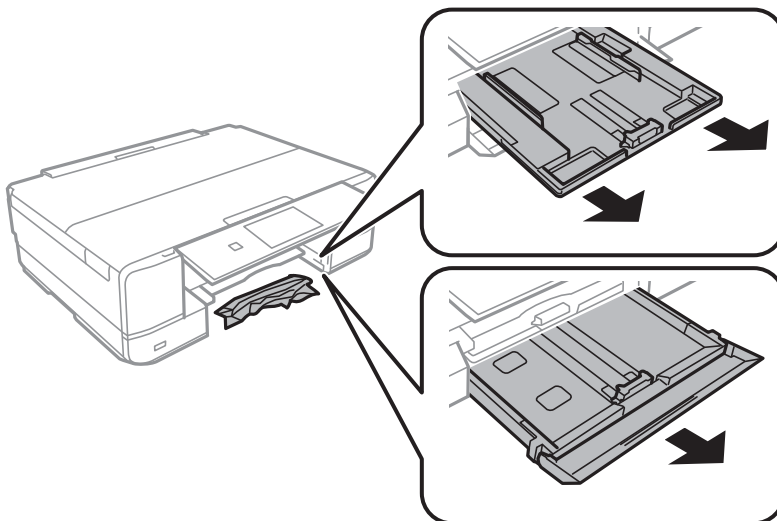
Check the error displayed on the control panel and follow the instructions to remove the jammed paper including any torn pieces. Next, clear the error.

**Important:**

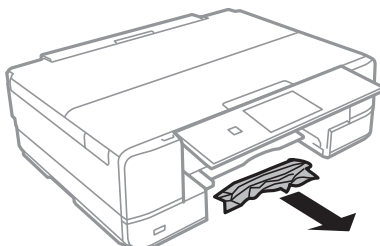
Remove the jammed paper carefully. Removing the paper vigorously may cause damage to the printer.

Removing Jammed Paper from the Paper Cassette

1. Close the output tray.
2. Pull out the paper cassette.

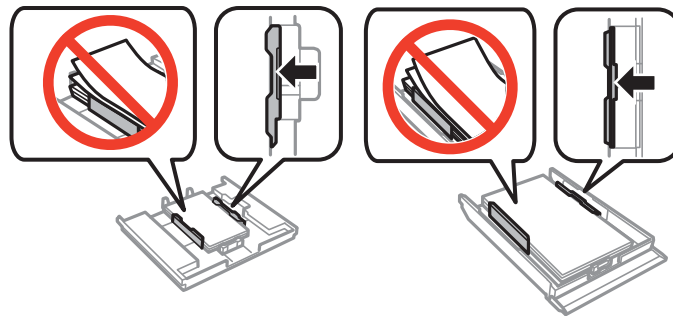


3. Remove the jammed paper.



Solving Problems

- Align the edges of the paper and slide the edge guides to the edges of the paper.



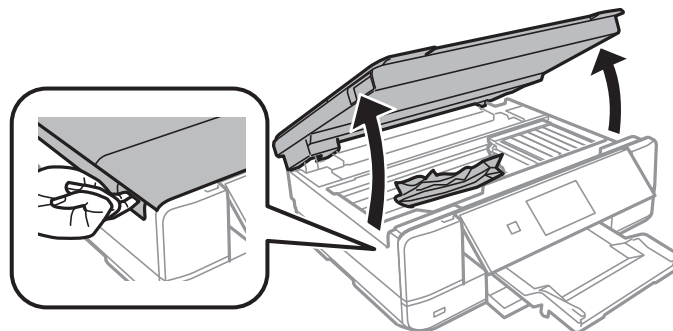
- Insert the paper cassette in the printer.

Removing Jammed Paper from Inside the Printer

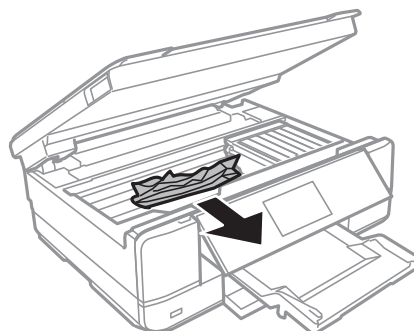
 **Caution:**

- ❑ Be careful not to trap your hand or fingers when opening or closing the scanner unit. Otherwise you may be injured.
- ❑ Never touch the buttons on the control panel while your hand is inside the printer. If the printer starts operating, it could cause an injury. Be careful not to touch the protruding parts to avoid injury.

- Open the scanner unit with the document cover closed.



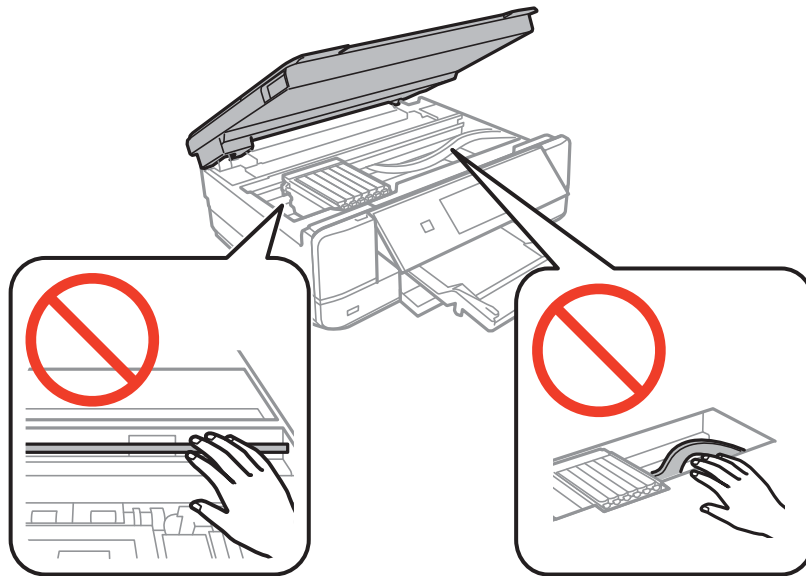
- Remove the jammed paper.



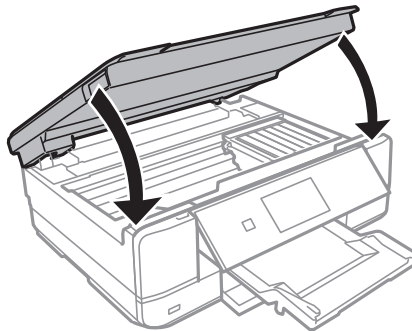
Solving Problems

! *Important:*

Do not touch the white flat cable or translucent part inside the printer. Doing so may cause a malfunction.

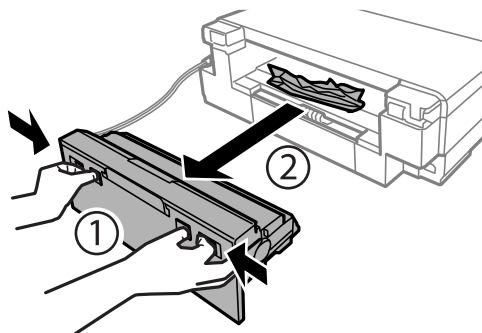


3. Close the scanner unit.



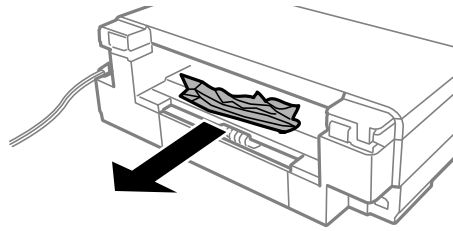
Removing Jammed Paper from the Rear Cover

1. Remove the rear cover.

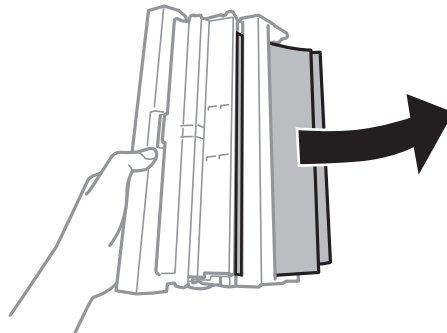


Solving Problems

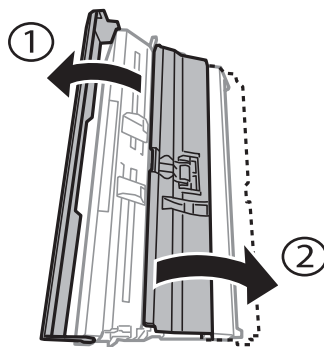
2. Remove the jammed paper.



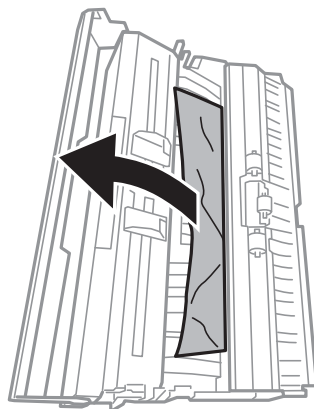
3. Remove jammed paper from the rear cover.



4. Open the cover of the rear cover.

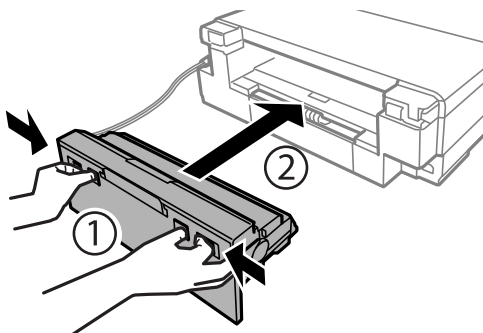


5. Remove the jammed paper.



Solving Problems

6. Close the cover of the rear cover, and then insert the rear cover in the printer.



Paper Does Not Feed Correctly

Check the following points, and then take the appropriate actions to solve the problem.

- Place the printer on a flat surface and operate in the recommended environmental conditions.
- Use paper supported by this printer.
- Follow the paper handling precautions.
- Make sure the paper size and paper type settings match the actual paper size and paper type loaded in the printer.

Related Information

- ➔ [“Environmental Specifications” on page 160](#)
- ➔ [“Paper Handling Precautions” on page 21](#)
- ➔ [“Available Paper and Capacities” on page 22](#)
- ➔ [“List of Paper Types” on page 23](#)

Paper Jams

- Load paper in the correct direction, and slide the edge guides against the edges of the paper.
- Load one sheet of paper at a time if you have loaded several sheets of paper.

Related Information

- ➔ [“Removing Jammed Paper” on page 135](#)
- ➔ [“Loading Paper in the Paper Cassette 1” on page 24](#)
- ➔ [“Loading Paper in the Paper Cassette 2” on page 28](#)
- ➔ [“Loading Paper in the Rear Paper Feed Slot” on page 31](#)

Paper Feeds at a Slant

Load paper in the correct direction, and slide the edge guides against the edges of the paper.

Solving Problems

Related Information

- ➔ [“Loading Paper in the Paper Cassette 1” on page 24](#)
- ➔ [“Loading Paper in the Paper Cassette 2” on page 28](#)
- ➔ [“Loading Paper in the Rear Paper Feed Slot” on page 31](#)

Several Sheets of Paper are Fed at a Time

- Load one sheet of paper at a time.
- When several sheets of paper are fed at a time during manual 2-sided printing, remove any paper which is loaded in the printer before you reload the paper.

No Paper Feeds

Do not load more than the maximum number of sheets specified for the paper. For plain paper, do not load above the line indicated by the triangle symbol on the edge guide.

Related Information

- ➔ [“Available Paper and Capacities” on page 22](#)

Paper is Ejected from the Rear Paper Feed Slot Without Being Printed

If you load paper before the rear paper feed slot is ready, the paper is ejected without being printed. Send the print job first, and then load paper when the printer prompts you to do so.

CD/DVD Tray is Ejected


- Make sure the disc is properly set on the tray and reinsert the tray correctly.
- Do not insert the CD/DVD tray until you are instructed to do so. Otherwise, an error occurs and the tray is ejected.

Related Information

- ➔ [“Loading a CD/DVD” on page 39](#)

Power and Control Panel Problems

Power Does Not Turn On

- Hold down the  button for a little longer.
- Make sure the power cord is securely plugged in.



Lights Came On and then Went Out

The printer's voltage may not match the outlet rating. Turn off the printer and unplug it immediately. Then check the label on the printer.

**Caution:**

If the voltage does not match, DO NOT PLUG YOUR PRINTER BACK IN. Contact your dealer.

Power Does Not Turn Off

Hold down the  button for a little longer. If you still cannot turn off the printer, unplug the power cord. To prevent the print head from drying out, turn the printer back on and turn it off by pressing the  button.

LCD Screen Gets Dark

The printer is in sleep mode. Press anywhere on the LCD screen to return it to its former state.

The Auto Power On Feature does not Work

- Make sure that the **Auto Power On** setting in **Setup** mode has been enabled.
- Make sure that the printer is properly connected with a USB cable or to a network.


Related Information

➔ [“Menu Options for Printer Setup” on page 113](#)

Cannot Print from a Computer

- Install the printer driver.
- Connect the USB cable securely to the printer and the computer.
- If you are using a USB hub, try to connect the printer directly to the computer.
- If you cannot print over a network, see the *Network Guide*.
- If you are printing a large data size image, the computer may run out of memory. Print the image at a lower resolution or a smaller size.

Solving Problems

- ❑ In Windows, click **Print Queue** on the printer driver's **Maintenance** tab, and then check the following.
 - ❑ Check if there are any paused print jobs.
Cancel printing if necessary.
 - ❑ Make sure the printer is not offline or pending.
If the printer is offline or pending, clear the offline or pending setting from the **Printer** menu.
 - ❑ Make sure the printer is selected as the default printer from the **Printer** menu (there should be a check mark on the menu item).
If the printer is not selected as the default printer, set it as the default printer.
 - ❑ Make sure the printer port is selected correctly in **Property > Port** from the **Printer** menu as follows.
Select "**USBXXX**" for a USB connection, or "**EpsonNet Print Port**" for a network connection.
- ❑ In Mac OS X, make sure the printer status is not **Pause**.
Select **System Preferences** from the  menu > **Printers & Scanners** (or **Print & Scan**, **Print & Fax**), and then double-click the printer. If the printer is paused, click **Resume** (or **Resume Printer**).

Related Information

- ➔ [“Installing Applications” on page 131](#)
- ➔ [“Canceling Printing” on page 79](#)

Cannot Use AirPrint

- ❑ In the **Printer Setup > Paper Source Setting** menu on the control panel, enable **Paper Configuration**.
- ❑ Enable the AirPrint setting on Web Config.

Related Information

- ➔ [“Menu Options for Printer Setup” on page 113](#)
- ➔ [“Web Config” on page 119](#)

Printout Problems

Nothing or a Very Faint Image is Printed

If you have not used the printer for a long time, the print head nozzles may be clogged and ink drops may not be discharged. Perform a nozzle check, and then clean the print head if any of the print head nozzles are clogged.

Related Information

- ➔ [“Checking and Cleaning the Print Head” on page 107](#)

Print Quality is Poor

Check the following if the print quality is poor due to blurry prints, banding, missing colors, faded colors, misalignment, and mosaic-like patterns in the prints.

Solving Problems


- ❑ Use paper supported by this printer.
- ❑ Select the appropriate paper type setting for the type of paper loaded in the printer.
- ❑ Do not print on paper that is damp, damaged, or too old.
- ❑ If the paper is curled or the envelope is puffed up, flatten it.
- ❑ Perform a nozzle check, and then clean the print head if any of the print head nozzles are clogged.
- ❑ Align the print head.
- ❑ Print using a higher quality setting.
- ❑ Do not stack the paper immediately after printing.
- ❑ Dry the printouts completely before filing or displaying them. When drying the printouts, avoid direct sun light, do not use a dryer, and do not touch the printed side of paper.
- ❑ When printing images or photos, Epson recommends using genuine Epson paper rather than plain paper. Print on the printable side of the genuine Epson paper.
- ❑ Try to use genuine Epson ink cartridges. This product is designed to adjust colors based on the use of genuine Epson ink cartridges. The use of non-genuine ink cartridges may cause print quality to decline.
- ❑ Epson recommends using the ink cartridge before the date printed on the package.
- ❑ For best results, use up ink cartridge within six months of opening the package.
- ❑ When printing images or photos, print using high-resolution data. Images on websites are often low resolution although they look good enough on the display, and so print quality may decline.

Related Information

- ➔ [“Available Paper and Capacities” on page 22](#)
- ➔ [“List of Paper Types” on page 23](#)
- ➔ [“Paper Handling Precautions” on page 21](#)
- ➔ [“Checking and Cleaning the Print Head” on page 107](#)
- ➔ [“Aligning the Print Head” on page 109](#)

Print Quality Does Not Improve Even After Aligning the Print Head

During bidirectional (or high speed) printing, the print head prints while moving in both directions, and vertical lines may be misaligned. If print quality does not improve, disable the bidirectional (or high speed) setting. Disabling this setting may slow down printing speed.

- ❑ Control panel
 - Disable **Bidirectional** in the print settings.
- ❑ Windows
 - Clear **High Speed** on the printer driver's **More Options** tab.
- ❑ Mac OS X
 - Select **System Preferences** from the  menu > **Printers & Scanners** (or **Print & Scan, Print & Fax**), and then select the printer. Click **Options & Supplies** > **Options** (or **Driver**). Select **Off** as the **High Speed Printing** setting.

Related Information

- ➔ [“Menu Options for Paper and Print Settings” on page 53](#)

Solving Problems

Images or Photos are Printed in Unexpected Colors

The Epson auto photo adjustment setting (PhotoEnhance) is applied by default. Try change the setting.

Control panel

Change the **Enhance** setting from **Auto** to **People**, **Night Scene**, or **Landscape**. If changing the setting does not work, turn off PhotoEnhance by selecting **Enhance Off**.

Windows/Mac OS X

Change the **Scene Correction** setting in **PhotoEnhance** from **Auto Correct** to any other option. If changing the setting does not work, use any color correction method other than **PhotoEnhance**.

Related Information

➔ [“Menu Options for Photo Adjustment and Zoom” on page 52](#)

➔ [“Adjusting the Print Color” on page 72](#)

Banding Appears at Intervals of Approximately 2.5 cm

Align the print head.

Select the appropriate paper type setting for the type of paper loaded in the printer.

Related Information

➔ [“Aligning the Print Head” on page 109](#)

➔ [“List of Paper Types” on page 23](#)

Copy Quality Is Poor

Check the following if uneven colors, smears, dots, or straight lines appear in the copied image.

Clean the paper path.

Clean the scanner glass.

Do not press too hard on the original or the document cover when you are placing the originals on the scanner glass. Uneven colors, smears, or dots may appear when the original or the document cover is pressed too hard.

If a moiré (cross-hatch) pattern appears, change the reduce and enlarge setting or place the original at a slightly different angle.

When the paper is smeared, lower the copy density setting.

Related Information

➔ [“Cleaning the Paper Path” on page 110](#)

➔ [“Cleaning the Scanner Glass” on page 110](#)

➔ [“Menu Options for Copy Mode” on page 80](#)

➔ [“Print Quality is Poor” on page 142](#)

Solving Problems

An Image of the Reverse Side of the Original Appears in the Copied Image

- ❑ For a thin original, place the original on the scanner glass and then place a piece of black paper over it.
- ❑ Lower the copy density setting on the control panel.

Related Information

- ➔ [“Menu Options for Copy Mode” on page 80](#)

The Position, Size, or Margins of the Printout Are Incorrect

- ❑ Load paper in the correct direction, and slide the edge guides against the edges of the paper.
- ❑ When placing the originals on the scanner glass, align the corner of the original with the corner indicated by a symbol on the frame of the scanner glass. If the edges of the copy are cropped off, move the original slightly away from the corner.
- ❑ When placing the originals on the scanner glass, clean the scanner glass and the document cover. If there is dust or stains on the glass, the copy area may extend to include the dust or stains, resulting in the wrong copying position or small images.
- ❑ Select the appropriate paper size setting.
- ❑ Adjust the margin setting in the application so that it falls within the printable area.

Related Information

- ➔ [“Loading Paper in the Paper Cassette 1” on page 24](#)
- ➔ [“Loading Paper in the Paper Cassette 2” on page 28](#)
- ➔ [“Loading Paper in the Rear Paper Feed Slot” on page 31](#)
- ➔ [“Cleaning the Scanner Glass” on page 110](#)
- ➔ [“Printable Area” on page 155](#)

Multiple Originals are Copied onto a Single Sheet

When you place multiple originals on the scanner glass to copy them separately, but they are copied onto a single sheet, place the originals at least 5 mm apart. If the problem continues, place one original at a time.

Cannot Print Without Margins

Make borderless setting in the print settings. If you select a paper type that does not support borderless printing, you cannot select **Borderless**. Select a paper type that supports borderless printing.

Related Information

- ➔ [“Menu Options for Paper and Print Settings” on page 53](#)
- ➔ [“Menu Options for Copy Mode” on page 80](#)
- ➔ [“Printing Basics - Windows” on page 55](#)
- ➔ [“Printing Basics - Mac OS X” on page 56](#)

Edges of the Image are Cropped During Borderless Printing

During borderless printing, the image is slightly enlarged and the protruding area is cropped. Select a smaller enlargement setting.

Control panel

Change the **Expansion** setting.

Windows

Click **Settings** next to the **Borderless** checkbox on the printer driver's **Main** tab, and then change the settings.

Mac OS X

Change the **Expansion** setting from the print dialog's **Print Settings** menu.

Related Information

➔ [“Menu Options for Paper and Print Settings” on page 53](#)

➔ [“Menu Options for Copy Mode” on page 80](#)

Printing Position of Photo Stickers is Incorrect

Adjust the printing position in the **Printer Setup** > **Stickers** menu on the control panel.

Related Information

➔ [“Menu Options for Printer Setup” on page 113](#)

Printing Position on a CD/DVD is Incorrect

Adjust the printing position in the **Printer Setup** > **CD/DVD** menu on the control panel.

Related Information


➔ [“Menu Options for Printer Setup” on page 113](#)

Paper Is Smearred or Scuffed

When horizontal banding appears or the top or bottom of the paper is smearred, load paper in the correct direction and slide the edge guides to the edges of the paper.

When vertical banding appears or the paper is smearred, clean the paper path.

Solving Problems

- ❑ If thick paper is scuffed, enable the reduce scuffing setting. If you enable this setting, print quality may decline or printing may slow down.
 - ❑ Control panel
Select **Setup** > **Printer Setup** from the home screen, and then enable **Thick Paper**.
 - ❑ Windows
Click **Extended Settings** on the printer driver's **Maintenance** tab, and then select **Thick Paper and Envelopes**.
 - ❑ Mac OS X
Select **System Preferences** from the  menu > **Printers & Scanners** (or **Print & Scan**, **Print & Fax**), and then select the printer. Click **Options & Supplies** > **Options** (or **Driver**). Select **On** as the **Thick paper and envelopes** setting.
- ❑ When performing manual 2-sided printing, make sure that the ink is completely dry before reloading the paper.

Related Information

- ➔ [“Loading Paper in the Paper Cassette 1” on page 24](#)
- ➔ [“Loading Paper in the Paper Cassette 2” on page 28](#)
- ➔ [“Loading Paper in the Rear Paper Feed Slot” on page 31](#)
- ➔ [“Cleaning the Paper Path” on page 110](#)
- ➔ [“Print Quality is Poor” on page 142](#)

Paper is Smearred During Automatic 2-Sided Printing

When using the automatic 2-sided printing feature and printing high density data such as images and graphs, set the print density to lower and the drying time to longer.

Related Information

- ➔ [“Printing on 2-Sides” on page 59](#)
- ➔ [“Menu Options for Copy Mode” on page 80](#)

Printed Characters Are Incorrect or Garbled

- ❑ Connect the USB cable securely to the printer and the computer.
- ❑ Cancel any paused print jobs.
- ❑ Do not put the computer manually into the **Hibernate** mode or the **Sleep** mode while printing. Pages of garbled text may be printed next time you start the computer.

Related Information

- ➔ [“Canceling Printing” on page 79](#)

The Printed Image Is Inverted

Clear any mirror image settings in the printer driver or the application.

Solving Problems

Windows

Clear **Mirror Image** on the printer driver's **More Options** tab.

Mac OS X

Clear **Mirror Image** from the print dialog's **Print Settings** menu.

The Printout Problem Could Not be Cleared

If you have tried all of the solutions and have not solved the problem, try uninstalling and then reinstalling the printer driver.

Related Information

➔ [“Uninstalling Applications” on page 129](#)

➔ [“Installing Applications” on page 131](#)

Other Printing Problems

Printing Is Too Slow

Close any unnecessary applications.

Lower the quality setting. High quality printing slows down the printing speed.

Enable the bidirectional (or high speed) setting. When this setting is enabled, the print head prints while moving in both directions, and the printing speed increases.


Control panel

Enable **Bidirectional** in the print settings.

Windows

Select **High Speed** on the printer driver's **More Options** tab.

Mac OS X

Select **System Preferences** from the  menu > **Printers & Scanners** (or **Print & Scan**, **Print & Fax**), and then select the printer. Click **Options & Supplies** > **Options** (or **Driver**). Select **On** as the **High Speed Printing** setting.

Disable **Quiet Mode**.


Control panel

From the home screen, select **Quiet Mode**, and then disable it.

Windows

Disable the **Quiet Mode** setting on the printer driver's **Main** tab.

Mac OS X

Select **System Preferences** from the  menu > **Printers & Scanners** (or **Print & Scan**, **Print & Fax**), and then select the printer. Click **Options & Supplies** > **Options** (or **Driver**). Select **Off** as the **Quiet Mode** setting.

Related Information


➔ [“Menu Options for Paper and Print Settings” on page 53](#)

Printing Slows Down Dramatically During Continuous Printing

Printing slows down to prevent the printer mechanism from overheating and being damaged. However, you can continue printing. To return to normal printing speed, leave the printer idle for at least 30 minutes. Printing speed does not return to normal if the power is off.

Cannot Cancel Printing from a Computer Running Mac OS X v10.6.8

If you want to stop printing from your computer, make the following settings.

Run Web Config, and then select **Port9100** as the **Top Priority Protocol** setting in **AirPrint Setup**. Select **System Preferences** from the  menu > **Printers & Scanners** (or **Print & Scan, Print & Fax**), remove the printer, and then add the printer again.

Related Information

➔ [“Web Config” on page 119](#)

Cannot Start Scanning

- Connect the USB cable securely to the printer and the computer.
- If you are using a USB hub, try to connect the printer directly to the computer.
- If you cannot scan over a network, see the *Network Guide*.
- If you scan at a high resolution over a network, a communication error may occur. Lower the resolution.
- Make sure you select the correct printer (scanner) if a scanner list is displayed when you start EPSON Scan.
- If you are using any TWAIN-compliant applications, select the printer (scanner) you are using.
- In Windows, make sure the printer (scanner) is displayed in **Scanner and Camera**. The printer (scanner) should be displayed as "EPSON XXXXX (printer name)". If the printer (scanner) is not displayed, uninstall and then re-install EPSON Scan. See the following to access **Scanner and Camera**.
 - Windows 8.1/Windows 8
 - Select **Desktop > Settings > Control Panel**, enter "Scanner and Camera" in the search charm, click **Show Scanner and Camera**, and then check if the printer is displayed.
 - Windows 7
 - Click the start button and select **Control Panel**, enter "Scanner and Camera" in the search charm, click **View scanners and cameras**, and then check if the printer is displayed.
 - Windows Vista
 - Click the start button, select **Control Panel > Hardware and Sound > Scanners and Cameras**, and then check if the printer is displayed.
 - Windows XP
 - Click the start button, select **Control Panel > Printers and Other Hardware > Scanner and Cameras**, and then check if the printer is displayed.
- If you cannot scan using any TWAIN-compliant applications, uninstall and then reinstall the TWAIN-compliant application.
- For Mac OS X with an Intel processor, if other Epson scanner drivers except for EPSON Scan, such as Rosetta or PPC are installed, uninstall them and EPSON Scan, and then reinstall EPSON Scan.

Related Information

- ➔ [“Uninstalling Applications” on page 129](#)
- ➔ [“Installing Applications” on page 131](#)

Cannot Start Scanning when Using the Control Panel

- Make sure EPSON Scan and Epson Event Manager are installed correctly.
- Check the scanning setting assigned in Epson Event Manager.

Related Information

- ➔ [“Cannot Start Scanning” on page 149](#)
- ➔ [“Epson Event Manager” on page 127](#)

Scanned Image Problems

Scan Quality Is Poor

- Clean the scanner glass.
- Do not press too hard on the original or the document cover when you are placing the originals on the scanner glass. Uneven colors, smears, or dots may appear when the original or the document cover is pressed too hard.
- Remove dust from the original.
- Make the appropriate document type settings.
- Scan at a higher resolution.
- Adjust the image in EPSON Scan, and then scan. See the EPSON Scan help for details.

Related Information

- ➔ [“Cleaning the Scanner Glass” on page 110](#)
- ➔ [“Menu Options for Scanning” on page 89](#)

Characters Are Blurred

- In **Home Mode** or **Office Mode** in EPSON Scan, select **Image Option** as the **Image Adjustments** setting, and then select **Text Enhancement**.
- In **Professional Mode** in EPSON Scan, select **Document** as the **Auto Exposure Type** in the **Original** settings.
- Adjust the threshold settings in EPSON Scan.
 - Home Mode**
Select **Black & White** as the **Image Type** setting, click **Brightness**, and then adjust the threshold.
 - Office Mode**
Select **Black & White** as the **Image Type** setting, and then adjust the threshold.
 - Professional Mode**
Select **Black & White** as the **Image Type** setting, and then adjust the threshold setting.

Solving Problems

- Scan at a higher resolution.

Related Information

- ➔ [“Menu Options for Scanning” on page 89](#)

An Image of the Reverse Side of the Original Appears in the Scanned Image

- For a thin original, place the original on the scanner glass and then place a piece of black paper over it.
- Make the appropriate document type settings.
- In **Home Mode** or **Office Mode** in EPSON Scan, select **Image Option** as the **Image Adjustments** setting, and then select **Text Enhancement**.

Related Information

- ➔ [“Menu Options for Scanning” on page 89](#)

Moire (Cross-Hatch) Patterns Appear in the Scanned Image

- Place the original at a slightly different angle.
- Select **Descreening** in any mode other than **Full Auto Mode** in EPSON Scan.
- Change the resolution setting.

Related Information

- ➔ [“Menu Options for Scanning” on page 89](#)

Scanning Area or Direction Is Not Correct

- When placing the originals on the scanner glass, align the corner of the original with the corner indicated by a symbol on the frame of the scanner glass. If the edges of the scanned image are cropped off, move the original slightly away from the corner.
- Clean the scanner glass and the document cover. If there is dust or stains on the glass, the scanning area may extend to include the dust or stains, resulting in the wrong scanning position or small images.
- When you place multiple originals on the scanner glass to scan them separately, but they are scanned onto a single file, place the originals at least 20 mm (0.8 inch) apart. If the problem continues, place one original at a time.
- Set the scan area correctly.
- When scanning using **Full Auto Mode** or the thumbnail preview in EPSON Scan, move the original 4.5 mm (0.18 inch) away from the edges of the scanner glass.
- When using the thumbnail preview for a large original in **Home Mode** or **Professional Mode** in EPSON Scan, the scanning area may not be correct. When previewing in EPSON Scan, create marquees of the area you want to scan on the **Preview** tab in the **Preview** window.
- If **Auto Photo Orientation** in EPSON Scan does not work as intended, see the EPSON Scan help.
- Clear **Auto Photo Orientation** in EPSON Scan.

Solving Problems

- When scanning with EPSON Scan the available scanning area may be restricted if the resolution setting is too high. Lower the resolution or adjust the scanning area in the **Preview** window.

Related Information

- ➔ [“Placing Originals on the Scanner Glass” on page 35](#)
- ➔ [“Cleaning the Scanner Glass” on page 110](#)
- ➔ [“Menu Options for Scanning” on page 89](#)

The Scanned Image Problem Could Not be Cleared

If you have tried all of the solutions and could not solve the problem, click **Configuration** in a mode other than **Full Auto Mode** in the EPSON Scan window, and then click **Reset All** on the **Other** tab to initialize the EPSON Scan settings. If initialization does not solve the problem uninstall and re-install EPSON Scan.

Related Information

- ➔ [“Uninstalling Applications” on page 129](#)
- ➔ [“Installing Applications” on page 131](#)

Other Scanning Problems

Cannot Scan in Full Auto Mode in EPSON Scan

- You cannot scan to PDF/Multi-TIFF format continuously in **Full Auto Mode**. Scan in a mode other than **Full Auto Mode**.
- See the EPSON Scan help for other way of solving problems.

Thumbnail Preview Does Not Work Properly

See the EPSON Scan help.

Scanning Is Too Slow

- Lower the resolution.
- Disable **Quiet Mode**.
 - Control Panel
From the home screen, select **Quiet Mode**, and then disable it.
 - EPSON Scan
Select a mode other than **Full Auto Mode**, click **Configuration**, and then disable **Quiet Mode** on the **Other** tab.

Related Information

- ➔ [“Menu Options for Scanning” on page 89](#)

Scanning Stops when Scanning to PDF/Multi-TIFF

- When scanning large volumes, we recommend scanning in grayscale.
- Increase the free space on the computer's hard disk. Scanning may stop if there is not enough free space.
- Try scanning at a lower resolution. Scanning stops if the total data size reaches the limit.

Related Information

- ➔ [“Menu Options for Scanning” on page 89](#)


Other Problems

Slight Electric Shock when Touching the Printer

If many peripherals are connected to the computer, you may feel a slight electric shock when touching the printer. Install a ground wire to the computer that is connected to the printer.

Operation Sounds Are Loud

If operations sounds are too loud, enable **Quiet Mode**. Enabling this feature may reduce printing speed.

- Control Panel
 - From the home screen, select **Quiet Mode**, and then enable it.
- Windows
 - Enable **Quiet Mode** on the **Main** tab in the printer driver.
- Mac OS X
 - Select **System Preferences** from the  menu > **Printers & Scanners** (or **Print & Scan, Print & Fax**), and then select the printer. Click **Options & Supplies** > **Options** (or **Driver**). Select **On** as the **Quiet Mode** setting.
- EPSON Scan
 - Click **Configuration**, and then enable **Quiet Mode** on the **Other** tab.

Cannot Save Data to a Memory Device

- Use a memory device that is supported by the printer.
- Check that the memory device is not write protected.
- Check that the memory device has enough available memory. If the available memory is low, data cannot be saved.

Related Information

- ➔ [“Supported External Storage Device Specifications” on page 159](#)

Application Is Blocked by a Firewall (for Windows Only)

Add the application to the Windows Firewall allowed program in security settings on the **Control Panel**.

Solving Problems

"?" Is Displayed on the Photo Selection Screen

"?" is displayed on the LCD screen when the image file is not supported by the product.

Related Information

➔ ["Supported Data Specifications" on page 159](#)

Appendix

Technical Specifications

Printer Specifications

Print Head Nozzle Placement		Black ink nozzles: 180 Color ink nozzles: 180 for each color
Weight of Paper	Plain Paper	64 to 90 g/m ² (17 to 24lb)
	Envelopes	Envelope #10, DL, C6: 75 to 90 g/m ² (20 to 24 lb)

Printable Area

Printable Area for Single Sheets

Print quality may decline in the shaded areas due to the printer's mechanism.

Normal printing

	A	3.0 mm (0.12 in.)
	B	3.0 mm (0.12 in.)
	C	41.0 mm (1.61 in.)
	D	37.0 mm (1.46 in.)

Borderless printing

	A	44.0 mm (1.73 in.)
	B	40.0 mm (1.57 in.)

Printable Area for Envelopes

Print quality may decline in the shaded areas due to the printer's mechanism.

Appendix

	A	3.0 mm (0.12 in.)
	B	5.0 mm (0.20 in.)
	C	18.0 mm (0.71 in.)
	D	41.0 mm (1.61 in.)

Printable Area for CD/DVD

Print quality may decline in the shaded areas due to the printer's mechanism.

	A	18 mm (0.71 in.)
	B	43 mm (1.69 in.)
	C	116 mm (4.57 in.)
	D	120 mm (4.72 in.)

Scanner Specifications

Scanner Type	Flatbed
Photoelectric Device	CIS
Maximum Document Size	216 × 297 mm (8.5 × 11.7 in.) A4, Letter
Resolution	4800 dpi (main scan) 4800 dpi (sub scan)
Color Depth	<p>Color</p> <ul style="list-style-type: none"> <input type="checkbox"/> 48 bits per pixel internal (16 bits per pixel per color internal) <input type="checkbox"/> 24 bits per pixel external (8 bits per pixel per color external) <p>Grayscale</p> <ul style="list-style-type: none"> <input type="checkbox"/> 16 bits per pixel internal <input type="checkbox"/> 8 bits per pixel external <p>Black and white</p> <ul style="list-style-type: none"> <input type="checkbox"/> 16 bits per pixel internal <input type="checkbox"/> 1 bits per pixel external
Light Source	LED

Interface Specifications

For Computer	Hi-Speed USB
--------------	--------------

Appendix

For External USB Devices and PictBridge	Hi-Speed USB
---	--------------

Wi-Fi Specifications

Standards	IEEE802.11b/g/n* ¹
Frequency Range	2.4 GHz
Coordination Modes	Infrastructure, Ad hoc* ² , Wi-Fi Direct* ³ * ⁴
Wireless Securities	WEP (64/128bit), WPA2-PSK (AES)* ⁵

*1 Complies with either IEEE 802.11b/g/n or IEEE 802.11b/g depending on location of purchase.

*2 Not supported for IEEE 802.11n.

*3 Not supported for IEEE 802.11b.

*4 Simple AP mode is compatible with a Wi-Fi connection (infrastructure) or an Ethernet connection. See the *Network Guide* for more details.

*5 Complies with WPA2 standards with support for WPA/WPA2 Personal.

Ethernet Specifications

Standards	IEEE802.3i (10BASE-T)* ¹ IEEE802.3u (100BASE-TX) IEEE802.3az (Energy Efficient Ethernet)* ²
Communication Mode	Auto, 10Mbps Full duplex, 10Mbps Half duplex, 100Mbps Full duplex, 100Mbps Half duplex
Connector	RJ-45

*1 Use a category 5e or higher STP (Shielded twisted pair) cable to prevent risk of radio interference.

*2 The connected device should comply with IEEE802.3az standards.

Security Protocol

SSL/TLS	HTTPS Server/Client, IPPS
---------	---------------------------

Supported Third Party Services

AirPrint	Print	iOS 5 or later/Mac OS X v10.7.x or later
	Scan	Mac OS X v10.9.x or later
Google Cloud Print		

External Storage Device Specifications

Supported Memory Card Specifications

Compatible Memory Cards	Maximum Capacities
Memory Stick Duo	128MB
Memory Stick PRO Duo Memory Stick PRO-HG Duo	32GB
MagicGate Memory Stick Duo	128MB
Memory Stick Micro*	32GB
miniSD*	2GB
miniSDHC*	32GB
microSD*	2GB
microSDHC*	32GB
microSDXC*	64GB
SD	2GB
SDHC	32GB
SDXC	64GB
CompactFlash	32GB
MicroDrive	6GB

* Attach an adapter to fit the memory card slot. Otherwise, the card may get stuck.

Supported memory card voltages

3.3 V type, dual voltage (3.3 V and 5V) type (supply voltage: 3.3 V)

5 V memory cards are not supported.

Maximum supply current

- Memory Stick, Memory Stick PRO: 100 mA
- SD: 200 mA
- CompactFlash, MicroDrive: 500 mA

Appendix

Supported External Storage Device Specifications

Compatible External Storage Devices	Maximum Capacities
CD-R Drive *1 DVD-R Drive *1 Blu-ray Drive *1	CD-ROM*2/CD-R: 700 MB DVD-ROM*2/DVD-R: 4.7 GB (CD-RW, DVD+R, DVD±RW, DVD-RAM, and Blu-ray Disc™ are not supported.)
MO Drive *1	1.3 GB
HDD*1 USB Flash Drive	2 TB (formatted in FAT, FAT32, or exFAT)

*1 We do not recommend using external USB devices that are powered by USB. Use only external USB devices with independent AC power sources.

*2 Read only.

You cannot use the following devices:

- A device that requires a dedicated driver
- A device with security settings (password, encryption, and so on)
- A device with a built-in USB hub

Epson cannot guarantee operations for all externally connected devices.

Supported Data Specifications

File Format	JPEG with the Exif Version 2.3 standard taken by digital cameras DCF*1 version 1.0 or 2.0*2 compliant
Image Size	Horizontal: 80 to 10200 pixels Vertical: 80 to 10200 pixels
File Size	Less than 2 GB
Maximum Number of Files	9990

*1 Design rule for Camera File system.

*2 Photo data stored in the built-in memory of a digital camera is not supported.

Note:

"?" is displayed on the LCD screen when the printer cannot recognize the image file. In this situation, if you select a multiple image layout, blank sections will be printed.

Appendix

Dimensions

Dimensions	<p>Storage</p> <ul style="list-style-type: none"> <input type="checkbox"/> Width: 479 mm (18.9 in.) <input type="checkbox"/> Depth: 356 mm (14.0 in.) <input type="checkbox"/> Height: 148 mm (5.8 in.) <p>Printing</p> <ul style="list-style-type: none"> <input type="checkbox"/> Width: 479 mm (18.9 in.) <input type="checkbox"/> Depth: 668 mm (26.3 in.) <input type="checkbox"/> Height: 295 mm (11.6 in.)
Weight*	Approx. 8.7 kg (19.2 lb)

* : Without the ink cartridges, power cord, and the CD/DVD tray.

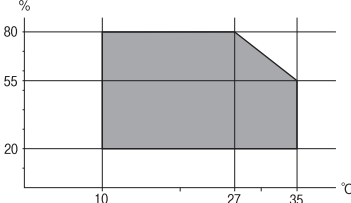
Electrical Specifications

Model	100 to 120 V Model	220 to 240 V Model
Rated Frequency Range	50 to 60 Hz	50 to 60 Hz
Rated Current	0.7 A	0.35 A
Power Consumption (with USB Connection)	<p>Standalone copying: Approx. 17 W (ISO/IEC24712)</p> <p>Ready mode: Approx. 8.2 W</p> <p>Sleep mode: Approx. 1.2 W</p> <p>Power off: Approx. 0.2 W</p>	<p>Standalone copying: Approx. 17 W (ISO/IEC24712)</p> <p>Ready mode: Approx. 8.2 W</p> <p>Sleep mode: Approx. 1.2 W</p> <p>Power off: Approx. 0.4 W</p>

Note:

Check the label on the printer for its voltage.

Environmental Specifications

Operation	<p>Use the printer within the range shown in the following graph.</p>  <p>Temperature: 10 to 35°C (50 to 95°F)</p> <p>Humidity: 20 to 80% RH (without condensation)</p>
Storage	<p>Temperature: -20 to 40°C (-4 to 104°F)*</p> <p>Humidity: 5 to 85% RH (without condensation)</p>

Appendix

* You can store for one month at 40°C (104°F).

Environmental Specifications for Ink Cartridges

Storage Temperature	-30 to 40 °C (-22 to 104 °F)*
Freezing Temperature	-16 °C (3.2 °F) Ink thaws and is usable after approximately 3 hours at 25 °C (77 °F).

* You can store for one month at 40 °C (104 °F).

System Requirements

- Windows 8.1 (32-bit, 64-bit)/Windows 8 (32-bit, 64-bit)/Windows 7 (32-bit, 64-bit)/Windows Vista (32-bit, 64-bit)/Windows XP Professional x64 Edition/Windows XP (32-bit)
- Mac OS X v10.10.x/Mac OS X v10.9.x/Mac OS X v10.8.x/Mac OS X v10.7.x/Mac OS X v10.6.8

Note:

- Mac OS X may not support some applications and features.*
- The UNIX File System (UFS) for Mac OS X is not supported.*

Regulatory Information

Standards and Approvals

Standards and Approvals for U.S. Model

Safety	UL60950-1 CAN/CSA-C22.2 No.60950-1
EMC	FCC Part 15 Subpart B Class B CAN/CSA-CEI/IEC CISPR 22 Class B

This equipment contains the following wireless module.

Manufacturer: Askey Computer Corporation

Type: WLU6320-D69 (RoHS)

This product conforms to Part 15 of the FCC Rules and RSS-210 of the IC Rules. Epson cannot accept responsibility for any failure to satisfy the protection requirements resulting from a non-recommended modification of the product. Operation is subject to the following two conditions: (1) this device may not cause harmful interference, and (2) this device must accept any interference received, including interference that may cause undesired operation of the device.

To prevent radio interference to the licensed service, this device is intended to be operated indoors and away from windows to provide maximum shielding. Equipment (or its transmit antenna) that is installed outdoors is subject to licensing.

Appendix

Standards and Approvals for European Model

Low voltage directive 2006/95/EC	EN60950-1
EMC directive 2004/108/EC	EN55022 Class B EN61000-3-2 EN61000-3-3 EN55024
R&TTE directive 1999/5/EC	EN300 328 EN301 489-1 EN301 489-17 EN60950-1

For European users

We, Seiko Epson Corporation, hereby declare that the following equipment Model is in compliance with the essential requirements and other relevant provisions of Directive 1999/5/EC:

C493C

For use only in Ireland, UK, Austria, Germany, Liechtenstein, Switzerland, France, Belgium, Luxemburg, Netherlands, Italy, Portugal, Spain, Denmark, Finland, Norway, Sweden, Iceland, Croatia, Cyprus, Greece, Slovenia, Malta, Bulgaria, Czech, Estonia, Hungary, Latvia, Lithuania, Poland, Romania, and Slovakia.

Epson cannot accept responsibility for any failure to satisfy the protection requirements resulting from a non-recommended modification of the products.



Standards and Approvals for Australian Model

EMC	AS/NZS CISPR22 Class B
-----	------------------------

Epson hereby declares that the following equipment Models are in compliance with the essential requirements and other relevant provisions of AS/NZS4268:

C493C

Epson cannot accept responsibility for any failure to satisfy the protection requirements resulting from a non-recommended modification of the products.

Restrictions on Copying

Observe the following restrictions to ensure the responsible and legal use of the printer.

Copying of the following items is prohibited by law:

- Bank bills, coins, government-issued marketable securities, government bond securities, and municipal securities
- Unused postage stamps, pre-stamped postcards, and other official postal items bearing valid postage
- Government-issued revenue stamps, and securities issued according to legal procedure

Appendix

Exercise caution when copying the following items:

- Private marketable securities (stock certificates, negotiable notes, checks, etc.), monthly passes, concession tickets, etc.
- Passports, driver's licenses, warrants of fitness, road passes, food stamps, tickets, etc.

Note:

Copying these items may also be prohibited by law.

Responsible use of copyrighted materials:

Printers can be misused by improperly copying copyrighted materials. Unless acting on the advice of a knowledgeable attorney, be responsible and respectful by obtaining the permission of the copyright holder before copying published material.

Transporting the Printer

When you need to transport the printer to move or for repairs, follow the steps below to pack the printer.




Caution:

Be careful not to trap your hand or fingers when opening or closing the scanner unit. Otherwise you may be injured.



Important:

- When storing or transporting the printer, avoid tilting it, placing it vertically, or turning it upside down; otherwise ink may leak.*
- Leave the ink cartridges installed. Removing the cartridges can dry out the print head and may prevent the printer from printing.*

1. Turn off the printer by pressing the  button.
2. Make sure the power light turns off, and then unplug the power cord.



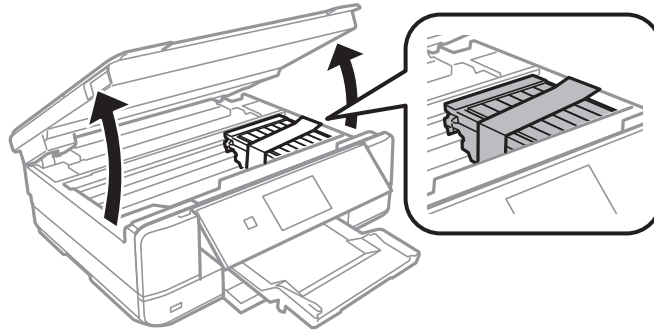
Important:

Unplug the power cord when the power light is off. Otherwise, the print head may not return to the home position causing the ink to dry, and printing may become impossible.

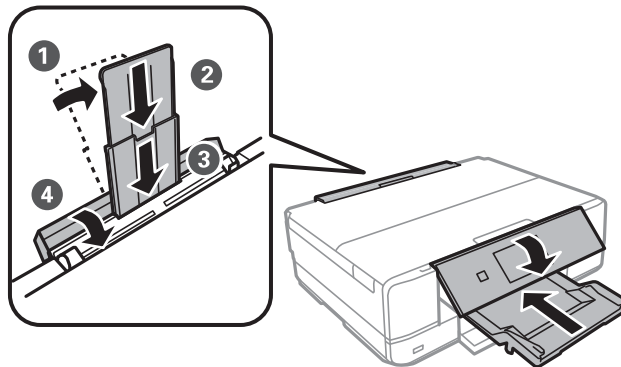
3. Disconnect all cables such as the power cord and USB cable.
4. Make sure there is no memory card inserted.
5. Remove all of the paper from the printer.
6. Make sure there are no originals on the printer.

Appendix

7. Open the scanner unit with the document cover closed. Secure the ink cartridge holder to the case with tape.



8. Close the scanner unit.
9. Prepare to pack the printer as shown below.



10. Pack the printer in its box, using the protective materials.

When you use the printer again, make sure you remove the tape securing the ink cartridge holder. If print quality has declined the next time you print, clean and align the print head.

Related Information

- ➔ [“Part Names and Functions” on page 14](#)
- ➔ [“Checking and Cleaning the Print Head” on page 107](#)
- ➔ [“Aligning the Print Head” on page 109](#)

Accessing a Memory Card From a Computer

You can write or read data on an external storage device such as a memory card that has been inserted in the printer from a computer.

! **Important:**

- ❑ Insert a memory card after removing write protection.
- ❑ If an image is saved to the memory card from a computer, the image and the number of photos are not refreshed on the LCD screen. Remove and insert the memory card again.
- ❑ When sharing an external device inserted in the printer between computers connected over USB and over a network, write access is only allowed to the computers that are connected by the method you selected on the printer. To write to the external storage device, enter **Setup** on the control panel and select **File Sharing Setup** and a connection method. Data can be read by computers connected over USB and over a network.
- ❑ To write to the external storage device connected to the computer over a network, enter **Setup** on the control panel and select **File Sharing Setup**, and then give a priority to a network connection.

Note:

It takes a while to recognize data from a computer if a large external storage device, such as 2TB HDD, is connected.

Windows

Select an external storage device in **Computer** or **My Computer**. The data on the external storage device is displayed.

Note:

If you connected the printer to the network without the software disc or Web Installer, map a memory card slot or USB port as a network drive. Open **Run** and enter a printer name \\XXXXX or a printer's IP address \\XXX.XXX.XXX.XXX to **Open**. Right-click a device icon displayed to assign the network. The network drive appears in **Computer** or **My Computer**.

Mac OS X

Select a corresponding device icon. The data on the external storage device is displayed.

Note:

- ❑ To remove an external storage device, drag and drop the device icon to the trash icon. Otherwise, data in the shared drive may not be displayed correctly when another external storage device is inserted.
- ❑ To access an external storage device through the network, select **Go > Connect to Server** from the menu on the desktop. Enter a printer name `cifs://XXXXX` or `smb://XXXXX` (Where "XXXXX" is the printer name) in the **Server Address**, and then click **Connect**.

Related Information

- ➔ [“Inserting a Memory Card” on page 37](#)
- ➔ [“External Storage Device Specifications” on page 158](#)

Where to Get Help

Technical Support Web Site

If you need further help, visit the Epson support website shown below. Select your country or region and go to the support section of your local Epson website. The latest drivers, FAQs, manuals, or other downloadables are also available from the site.

<http://support.epson.net/>

<http://www.epson.eu/Support> (Europe)

Appendix

If your Epson product is not operating properly and you cannot solve the problem, contact Epson support services for assistance.

Contacting Epson Support

Before Contacting Epson

If your Epson product is not operating properly and you cannot solve the problem using the troubleshooting information in your product manuals, contact Epson support services for assistance. If Epson support for your area is not listed below, contact the dealer where you purchased your product.

Epson support will be able to help you much more quickly if you give them the following information:

- Product serial number
(The serial number label is usually on the back of the product.)
- Product model
- Product software version
(Click **About**, **Version Info**, or a similar button in the product software.)
- Brand and model of your computer
- Your computer operating system name and version
- Names and versions of the software applications you normally use with your product

Note:

Depending on the product, the dial list data for fax and/or network settings may be stored in the product's memory. Due to breakdown or repair of a product, data and/or settings may be lost. Epson shall not be responsible for the loss of any data, for backing up or recovering data and/or settings even during a warranty period. We recommend that you make your own backup data or take notes.

Help for Users in Europe

Check your Pan-European Warranty Document for information on how to contact Epson support.

Help for Users in Australia

Epson Australia wishes to provide you with a high level of customer service. In addition to your product manuals, we provide the following sources for obtaining information:

Internet URL

<http://www.epson.com.au>

Access the Epson Australia World Wide Web pages. Worth taking your modem here for the occasional surf! The site provides a download area for drivers, Epson contact points, new product information and technical support (e-mail).

Epson Helpdesk

Epson Helpdesk is provided as a final backup to make sure our clients have access to advice. Operators on the Helpdesk can aid you in installing, configuring and operating your Epson product. Our Pre-sales Helpdesk staff can provide literature on new Epson products and advise where the nearest dealer or service agent is located. Many types of queries are answered here.

The Helpdesk numbers are:

Appendix

Phone: 1300 361 054

We encourage you to have all the relevant information on hand when you ring. The more information you prepare, the faster we can help solve the problem. This information includes your Epson product manuals, type of computer, operating system, application programs, and any information you feel is required.