

ET-7700 Series/ L7160 Series User's Guide

Copyright

Copyright

No part of this publication may be reproduced, stored in a retrieval system, or transmitted in any form or by any means, electronic, mechanical, photocopying, recording, or otherwise, without the prior written permission of Seiko Epson Corporation. No patent liability is assumed with respect to the use of the information contained herein. Neither is any liability assumed for damages resulting from the use of the information herein. The information contained herein is designed only for use with this Epson product. Epson is not responsible for any use of this information as applied to other products.

Neither Seiko Epson Corporation nor its affiliates shall be liable to the purchaser of this product or third parties for damages, losses, costs, or expenses incurred by the purchaser or third parties as a result of accident, misuse, or abuse of this product or unauthorized modifications, repairs, or alterations to this product, or (excluding the U.S.) failure to strictly comply with Seiko Epson Corporation's operating and maintenance instructions.

Seiko Epson Corporation and its affiliates shall not be liable for any damages or problems arising from the use of any options or any consumable products other than those designated as Original Epson Products or Epson Approved Products by Seiko Epson Corporation.

Seiko Epson Corporation shall not be held liable for any damage resulting from electromagnetic interference that occurs from the use of any interface cables other than those designated as Epson Approved Products by Seiko Epson Corporation.

©Seiko Epson Corporation 2016.

The contents of this manual and the specifications of this product are subject to change without notice.

Trademarks

- ❑ EPSON® is a registered trademark, and EPSON EXCEED YOUR VISION or EXCEED YOUR VISION is a trademark of Seiko Epson Corporation.
- ❑ PRINT Image Matching™ and the PRINT Image Matching logo are trademarks of Seiko Epson Corporation. Copyright © 2001 Seiko Epson Corporation. All rights reserved.
- ❑ Epson Scan 2 software is based in part on the work of the Independent JPEG Group.
- ❑ libtiff

Copyright © 1988-1997 Sam Leffler

Copyright © 1991-1997 Silicon Graphics, Inc.

Permission to use, copy, modify, distribute, and sell this software and its documentation for any purpose is hereby granted without fee, provided that (i) the above copyright notices and this permission notice appear in all copies of the software and related documentation, and (ii) the names of Sam Leffler and Silicon Graphics may not be used in any advertising or publicity relating to the software without the specific, prior written permission of Sam Leffler and Silicon Graphics.

THE SOFTWARE IS PROVIDED "AS-IS" AND WITHOUT WARRANTY OF ANY KIND, EXPRESS, IMPLIED OR OTHERWISE, INCLUDING WITHOUT LIMITATION, ANY WARRANTY OF MERCHANTABILITY OR FITNESS FOR A PARTICULAR PURPOSE.

IN NO EVENT SHALL SAM LEFFLER OR SILICON GRAPHICS BE LIABLE FOR ANY SPECIAL, INCIDENTAL, INDIRECT OR CONSEQUENTIAL DAMAGES OF ANY KIND, OR ANY DAMAGES WHATSOEVER RESULTING FROM LOSS OF USE, DATA OR PROFITS, WHETHER OR NOT ADVISED OF THE POSSIBILITY OF DAMAGE, AND ON ANY THEORY OF LIABILITY, ARISING OUT OF OR IN CONNECTION WITH THE USE OR PERFORMANCE OF THIS SOFTWARE.

- ❑ SDXC Logo is a trademark of SD-3C, LLC.



- ❑ PictBridge is a trademark.



- ❑ Microsoft®, Windows®, and Windows Vista® are registered trademarks of Microsoft Corporation.
- ❑ Apple, Macintosh, Mac OS, OS X, Bonjour, Safari, iPad, iPhone, iPod touch, and iTunes are trademarks of Apple Inc., registered in the U.S. and other countries. AirPrint and the AirPrint logo are trademarks of Apple Inc.
- ❑ Google Cloud Print™, Chrome™, Chrome OS™, and Android™ are trademarks of Google Inc.
- ❑ Adobe and Adobe Reader are either registered trademarks or trademarks of Adobe Systems Incorporated in the United States and/or other countries.
- ❑ Intel® is a registered trademark of Intel Corporation.
- ❑ General Notice: Other product names used herein are for identification purposes only and may be trademarks of their respective owners. Epson disclaims any and all rights in those marks.

Contents

Copyright

Trademarks

About This Manual

Introduction to the Manuals.	9
Marks and Symbols.	9
Descriptions Used in this Manual.	10
Operating System References.	10

Important Instructions

Safety Instructions.	11
Safety Instructions for Ink.	11
Printer Advisories and Warnings.	12
Advisories and Warnings for Setting Up the Printer.	12
Advisories and Warnings for Using the Printer.	12
Advisories and Warnings for Transporting or Storing the Printer.	13
Advisories and Warnings for Using the Printer with a Wireless Connection.	13
Advisories and Warnings for Using Memory Cards.	13
Advisories and Warnings for Using the LCD Screen.	13
Protecting Your Personal Information.	14

Printer Basics

Part Names and Functions.	15
Control Panel.	17
Buttons.	18
Guide to the LCD Screen.	18

Network Settings

Network Connection Types.	21
Ethernet Connection.	21
Wi-Fi Connection.	21
Wi-Fi Direct (Simple AP) Connection.	22
Connecting to a Computer.	22
Connecting to a Smart Device.	23
Making Wi-Fi Settings from the Printer.	23
Making Wi-Fi Settings Manually.	24
Making Wi-Fi Settings by Push Button Setup.	25

Making Wi-Fi Settings by PIN Code Setup (WPS).	25
Making Wi-Fi Direct (Simple AP) Connection Settings.	26
Making Advanced Network Setting.	27
Checking the Network Connection Status.	28
Checking the Network Status Using Network Icon.	28
Checking the Network Status from the Control Panel.	28
Printing a Network Connection Report.	29
Printing a Network Status Sheet.	33
Replacing or Adding New Access Points.	34
Changing the Connection Method to a Computer.	34
Disabling Wi-Fi from the Control Panel.	35
Disconnecting Wi-Fi Direct (Simple AP) connection from the Control Panel.	35
Restoring the Network Settings from the Control Panel.	36

Loading Paper

Paper Handling Precautions.	37
Available Paper and Capacities.	38
List of Paper Types.	39
Where to Load Paper.	40
Loading Paper in the Paper Cassette 1.	41
Loading Paper in the Paper Cassette 2.	45
Loading Paper in the Rear Paper Feed Slot.	49

Placing Originals

Placing Originals on the Scanner Glass.	53
How to Place Various Originals.	54
Placing Photos for Copying.	54
Placing a CD/DVD for Copying Labels.	54
Placing Multiple Photos for Scanning at the Same Time.	54

Inserting a Memory Card

Supported Memory Cards.	56
Inserting and Removing a Memory Card.	56

Loading a CD/DVD for Printing

Printable CD/DVDs.	59
CD/DVD Handling Precautions.	59

Contents

Loading and Removing a CD/DVD. 59

Printing

Printing from the Control Panel. 61

Printing Photos by Selecting from a Memory Card. 61

Printing Photos from a Memory Card onto a CD/DVD Label. 62

Printing Photos from a Memory Card with Handwritten Notes. 64

Printing Lined Paper, Calendars, Original Writing Paper, and Original Greeting Cards. . . . 65

Printing Original Envelopes. 66

Printing in Various Layouts. 68

Printing a Coloring Book. 69

DPOF Printing. 69

Menu Options for Printing from the Control Panel. 70

Printing from a Computer. 72

Printing Basics - Windows. 72

Printing Basics - Mac OS. 74

Printing on 2-Sides. 76

Printing Several Pages on One Sheet. 78

Printing to Fit the Paper Size. 80

Printing Multiple Files Together (for Windows Only). 81

Printing One Image on Multiple Sheets to Create a Poster (for Windows Only). 82

Printing Using Advanced Features. 88

Printing Photos Using Epson Easy Photo Print. . 90

Printing a CD/DVD Label with Epson Print CD. 91

Printing from Smart Devices. 91

Using Epson iPrint. 91

Using AirPrint. 93

Printing from a Digital Camera. 94

Printing from a Digital Camera Connected by USB Cable. 94

Printing from a Digital Camera Connected Wirelessly. 95

Canceling Printing. 96

Canceling Printing - Printer Button. 96

Canceling Printing - Windows. 96

Canceling Printing - Mac OS. 96

Copying

Copying Basics. 97

Menu Options for Copy Mode. 97

Copying Photos. 100

Menu Options for Copy/Restore Photos. 100

Copying on a CD/DVD Label. 101

Menu Options for Copy to CD/DVD. 103

Scanning

Scanning Using the Control Panel. 104

Scanning to a Memory Card. 104

Scanning to the Cloud. 104

Scanning to a Computer. 105

Scanning to a Computer (WSD). 106

Menu Options for Scanning. 108

Scanning from a Computer. 108

Scanning Using Epson Scan 2. 108

Scanning from Smart Devices. 114

Installing Epson iPrint. 115

Scanning Using Epson iPrint. 115

Refilling Ink and Replacing Maintenance Boxes

Checking the Status of the Remaining Ink and the Maintenance Box. 117

Checking the Status of the Maintenance Box - Control Panel. 117

Checking the Status of the Remaining Ink and the Maintenance Box - Windows. 117

Checking the Status of the Remaining Ink and the Maintenance Box - Mac OS. 118

Ink Bottle Codes. 118

Ink Bottle Handling Precautions. 119

Refilling the Ink Tanks. 120

Maintenance Box Code. 123

Maintenance Box Handling Precautions. 123

Replacing a Maintenance Box. 124

Maintaining the Printer

Checking and Cleaning the Print Head. 127

Checking and Cleaning the Print Head - Control Panel. 127

Checking and Cleaning the Print Head - Windows. 128

Checking and Cleaning the Print Head - Mac OS. 128

Running Power Cleaning. 128

Running Power Cleaning - Control Panel. 129

Running Power Cleaning - Windows. 129

Running Power Cleaning - Mac OS. 130

Aligning the Print Head. 130

Contents

Aligning the Print Head - Control Panel.	130	Running Web Config on a Web Browser.	143
Cleaning the Paper Path for Ink Smears.	131	Running Web Config on Windows.	143
Cleaning the Scanner Glass.	132	Running Web Config on Mac OS.	143
Checking the Total Number of Pages Fed Through the Printer.	132	Windows Printer Driver.	144
Checking the Total Number of Pages Fed Through the Printer - Control Panel.	133	Guide to Windows Printer Driver.	145
Checking the Total Number of Pages Fed Through the Printer - Windows.	133	Making Operation Settings for the Windows Printer Driver.	146
Checking the Total Number of Pages Fed Through the Printer - Mac OS.	133	Mac OS Printer Driver.	147
Saving Power.	133	Guide to Mac OS Printer Driver.	148
Saving Power - Control Panel.	134	Making Operation Settings for the Mac OS Printer Driver.	149
Menu Options for Settings Mode		Epson Scan 2 (Scanner Driver).	150
Menu Options for Maintenance.	135	Epson Event Manager.	150
Nozzle Check:.	135	Epson Easy Photo Print.	151
Head Cleaning:.	135	Epson Print CD.	151
Power Cleaning:.	135	EPSON Software Updater.	152
Print Head Alignment:.	135	Uninstalling Applications.	152
Reset Ink Levels:.	135	Uninstalling Applications - Windows.	152
Maintenance Box Service Life:.	135	Uninstalling Applications - Mac OS.	153
Menu Options for Printer Setup.	136	Installing Applications.	154
Paper Source Setting:.	136	Updating Applications and Firmware.	154
CD/DVD:.	136	Updating the Printer's Firmware using the Control Panel.	155
Stickers:.	136	Solving Problems	
Thick Paper:.	136	Checking the Printer Status.	156
Quiet Mode:.	136	Checking Messages on the LCD Screen.	156
Screen Saver:.	136	Checking the Printer Status - Windows.	157
Auto Power On:.	136	Checking the Printer Status - Mac OS.	157
Power Off Settings:.	136	Removing Jammed Paper.	157
Power Off Timer:.	137	Removing Jammed Paper from the Paper Cassette.	158
Sleep Timer:.	137	Removing Jammed Paper from Inside the Printer.	159
Language:.	137	Removing Jammed Paper from the Rear Cover.	161
Menu Options for Network Settings.	137	Paper Does Not Feed Correctly.	162
Menu Options for Epson Connect Services.	138	Paper Jams.	163
Menu Options for Google Cloud Print Services.	139	Paper Feeds at a Slant.	163
Menu Options for File Sharing Setup.	139	Several Sheets of Paper are Fed at a Time.	163
Menu Options for External Device Setup.	139	Paper is Ejected from the Rear Paper Feed Slot Without Being Printed.	163
Menu Options for Guide Functions.	140	CD/DVD Tray is Ejected.	163
Menu Options for Firmware Update.	140	Power and Control Panel Problems.	164
Menu Options for Restore Default Settings.	140	Power Does Not Turn On.	164
Network Service and Software Information		Lights Came On and then Went Out.	164
Epson Connect Service.	142	Power Does Not Turn Off.	164
Web Config.	142	Power Turns Off Automatically.	164
		LCD Screen Gets Dark.	165

Contents

The Auto Power On Feature does not Work.	165	Cannot Cancel Printing from a Computer Running Mac OS X v10.6.8.	179
Cannot Print from a Computer.	165	Cannot Start Scanning.	180
When You Cannot Make Network Settings.	166	Cannot Start Scanning when Using the Control Panel.	180
Cannot Connect from Devices Even Though Network Settings are No Problem.	166	Scanned Image Problems.	181
Checking the SSID Connected to the Printer.	168	Uneven Colors, Dirt, Spots, and so on Appear when Scanning from the Scanner Glass.	181
Checking the SSID for the Computer.	168	The Image Quality Is Rough.	181
Suddenly the Printer Cannot Print over a Network Connection.	169	Offset Appears in the Background of Images.	181
Suddenly the Printer Cannot Print Using a USB Connection.	170	Text is Blurred.	181
Cannot Print from an iPhone or iPad.	170	Moiré Patterns (Web-Like Shadows) Appear.	182
Printout Problems.	170	Cannot Scan the Correct Area on the Scanner Glass.	182
Printout is Scuffed or Color is Missing.	170	Cannot Preview in Thumbnail.	182
Banding or Unexpected Colors Appear.	171	Text is Not Recognized Correctly when Saving as a Searchable PDF.	183
Colored Banding Appears at Intervals of Approximately 2.5 cm.	171	Cannot Solve Problems in the Scanned Image.	183
Blurry Prints, Vertical Banding, or Misalignment.	172	Other Scanning Problems.	184
Print Quality is Poor.	172	Scanning Speed Is Slow.	184
Paper Is Smearred or Scuffed.	173	Scanning Stops when Scanning to PDF/ Multi-TIFF.	184
Paper is Smearred During Automatic 2-Sided Printing.	174	Other Problems.	185
Printed Photos are Sticky.	174	Slight Electric Shock when Touching the Printer.	185
Images or Photos are Printed in Unexpected Colors.	175	Operation Sounds Are Loud.	185
Colors Differ from What You See on the Display.	175	Cannot Save the Data to a Memory Card.	185
Cannot Print Without Margins.	175	Application Is Blocked by a Firewall (for Windows Only).	185
Edges of the Image are Cropped During Borderless Printing.	176	"?" Is Displayed on the Photo Selection Screen.	185
The Position, Size, or Margins of the Printout Are Incorrect.	176	A Message Prompting You to Reset the Ink Levels is Displayed.	186
Multiple Originals are Copied onto a Single Sheet.	176	Ink Spilled.	186
Printing Position of Photo Stickers is Incorrect.	177	Appendix	
Printing Position on a CD/DVD is Incorrect.	177	Technical Specifications.	187
Printed Characters Are Incorrect or Garbled.	177	Printer Specifications.	187
The Printed Image Is Inverted.	177	Scanner Specifications.	188
Mosaic-Like Patterns in the Prints.	177	Interface Specifications.	189
Uneven Colors, Smears, Dots, or Straight Lines Appear in the Copied Image.	177	Network Function List.	189
Moiré (Cross-Hatch) Patterns Appear in the Copied Image.	178	Wi-Fi Specifications.	190
An Image of the Reverse Side of the Original Appears in the Copied Image.	178	Ethernet Specifications.	191
The Printout Problem Could Not be Cleared.	178	Security Protocol.	191
Other Printing Problems.	178	Supported Third Party Services.	191
Printing Is Too Slow.	178	External Storage Device Specifications.	191
Printing Slows Down Dramatically During Continuous Printing.	179	Dimensions.	193
		Electrical Specifications.	193
		Environmental Specifications.	194
		System Requirements.	194
		Regulatory Information.	195

Contents

Standards and Approvals.	195
Restrictions on Copying.	196
Transporting and Storing the Printer.	196
Accessing a Memory Card From a Computer.	199
Where to Get Help.	200
Technical Support Web Site.	200
Contacting Epson Support.	201

About This Manual

Introduction to the Manuals

The following manuals are supplied with your Epson printer. As well as the manuals, check the various types of help information available from the printer itself or from the Epson software applications.

Start Here (paper manual)

Provides you with information on setting up the printer, installing the software, using the printer, solving problems, and so on.

User's Guide (digital manual)

This manual. Provides overall information and instructions on using the printer, on network settings when using the printer on a network, and on solving problems.

You can obtain the latest versions of the above manuals with the following methods.

Paper manual

Visit the Epson Europe support website at <http://www.epson.eu/Support>, or the Epson worldwide support website at <http://support.epson.net/>.

Digital manual

Start EPSON Software Updater on your computer. EPSON Software Updater checks for available updates of Epson software applications and the digital manuals, and allows you to download the latest ones.

Related Information

➔ [“EPSON Software Updater” on page 152](#)

Marks and Symbols



Caution:

Instructions that must be followed carefully to avoid bodily injury.



Important:

Instructions that must be observed to avoid damage to your equipment.

Note:

Provides complementary and reference information.

➔ Related Information

Links to related sections.

Descriptions Used in this Manual

- Screenshots of the printer driver and the Epson Scan 2 (scanner driver) screens are from Windows 10 or OS X El Capitan. The content displayed on the screens varies depending on the model and situation.
- Illustrations of the printer used in this manual are examples only. Although there may be slight differences depending on the model, the method of operation is the same.
- Some of the menu items on the LCD screen vary depending on the model and settings.

Operating System References

Windows

In this manual, terms such as "Windows 10", "Windows 8.1", "Windows 8", "Windows 7", "Windows Vista", and "Windows XP" refer to the following operating systems. Additionally, "Windows" is used to refer to all versions.

- Microsoft® Windows® 10 operating system
- Microsoft® Windows® 8.1 operating system
- Microsoft® Windows® 8 operating system
- Microsoft® Windows® 7 operating system
- Microsoft® Windows Vista® operating system
- Microsoft® Windows® XP operating system
- Microsoft® Windows® XP Professional x64 Edition operating system

Mac OS

In this manual, "Mac OS" is used to refer to macOS Sierra, OS X El Capitan, OS X Yosemite, OS X Mavericks, OS X Mountain Lion, Mac OS X v10.7.x, and Mac OS X v10.6.8.

Important Instructions

Safety Instructions

Read and follow these instructions to ensure safe use of this printer. Make sure you keep this manual for future reference. Also, be sure to follow all warnings and instructions marked on the printer.

- Some of the symbols used on your printer are to ensure safety and proper use of the printer. Visit the following Web site to learn the meaning of the symbols.
<http://support.epson.net/symbols>
- Use only the power cord supplied with the printer and do not use the cord with any other equipment. Use of other cords with this printer or the use of the supplied power cord with other equipment may result in fire or electric shock.
- Be sure your AC power cord meets the relevant local safety standard.
- Never disassemble, modify, or attempt to repair the power cord, plug, printer unit, scanner unit, or options by yourself, except as specifically explained in the printer's manuals.
- Unplug the printer and refer servicing to qualified service personnel under the following conditions:
The power cord or plug is damaged; liquid has entered the printer; the printer has been dropped or the casing damaged; the printer does not operate normally or exhibits a distinct change in performance. Do not adjust controls that are not covered by the operating instructions.
- Place the printer near a wall outlet where the plug can be easily unplugged.
- Do not place or store the printer outdoors, near excessive dirt or dust, water, heat sources, or in locations subject to shocks, vibrations, high temperature or humidity.
- Take care not to spill liquid on the printer and not to handle the printer with wet hands.
- Keep the printer at least 22 cm away from cardiac pacemakers. Radio waves from this printer may adversely affect the operation of cardiac pacemakers.
- If the LCD screen is damaged, contact your dealer. If the liquid crystal solution gets on your hands, wash them thoroughly with soap and water. If the liquid crystal solution gets into your eyes, flush them immediately with water. If discomfort or vision problems remain after a thorough flushing, see a doctor immediately.

Safety Instructions for Ink

- Be careful not to touch any ink when you handle the ink tanks, ink tank caps, and opened ink bottles or ink bottle caps.
 - If ink gets on your skin, wash the area thoroughly with soap and water.
 - If ink gets into your eyes, flush them immediately with water. If discomfort or vision problems continue after a thorough flushing, see a doctor immediately.
 - If ink gets into your mouth, see a doctor right away.
- Do not disassemble the maintenance box; otherwise ink may get into your eyes or on your skin.
- Do not shake an ink bottle too vigorously or subject it to strong impacts as this can cause ink to leak.
- Keep ink bottles, the ink tank unit, and maintenance box out of the reach of children. Do not allow children to drink from or handle the ink bottles and ink bottle cap.

Important Instructions

Printer Advisories and Warnings

Read and follow these instructions to avoid damaging the printer or your property. Make sure you keep this manual for future reference.



Advisories and Warnings for Setting Up the Printer

- Do not block or cover the vents and openings in the printer.
- Use only the type of power source indicated on the printer's label.
- Avoid using outlets on the same circuit as photocopiers or air control systems that regularly switch on and off.
- Avoid electrical outlets controlled by wall switches or automatic timers.
- Keep the entire computer system away from potential sources of electromagnetic interference, such as loudspeakers or the base units of cordless telephones.
- The power-supply cords should be placed to avoid abrasions, cuts, fraying, crimping, and kinking. Do not place objects on top of the power-supply cords and do not allow the power-supply cords to be stepped on or run over. Be particularly careful to keep all the power-supply cords straight at the ends and the points where they enter and leave the transformer.
- If you use an extension cord with the printer, make sure that the total ampere rating of the devices plugged into the extension cord does not exceed the cord's ampere rating. Also, make sure that the total ampere rating of all devices plugged into the wall outlet does not exceed the wall outlet's ampere rating.
- If you plan to use the printer in Germany, the building installation must be protected by a 10 or 16 amp circuit breaker to provide adequate short-circuit protection and over-current protection for the printer.
- When connecting the printer to a computer or other device with a cable, ensure the correct orientation of the connectors. Each connector has only one correct orientation. Inserting a connector in the wrong orientation may damage both devices connected by the cable.
- Place the printer on a flat, stable surface that extends beyond the base of the printer in all directions. The printer will not operate properly if it is tilted at an angle.
- Allow space above the printer so that you can fully raise the document cover.
- Leave enough space in front of the printer for the paper to be fully ejected.
- Avoid places subject to rapid changes in temperature and humidity. Also, keep the printer away from direct sunlight, strong light, or heat sources.

Advisories and Warnings for Using the Printer

- Do not insert objects through the slots in the printer.
- Do not put your hand inside the printer during printing.
- Do not touch the white flat cable and ink tubes inside the printer.
- Do not use aerosol products that contain flammable gases inside or around the printer. Doing so may cause fire.
- Do not move the print head by hand; otherwise, you may damage the printer.
- Be careful not to trap your fingers when closing the scanner unit.
- Do not press too hard on the scanner glass when placing the originals.

Important Instructions

- ❑ Prolonged use of the printer when the ink level is below the lower line could damage the printer. Fill the ink tank to the upper line while the printer is not operating. To display the correct ink level estimates, reset the ink level after filling the tank.
- ❑ Always turn the printer off using the  button. Do not unplug the printer or turn off the power at the outlet until the  light stops flashing.
- ❑ If you are not going to use the printer for a long period, be sure to unplug the power cord from the electrical outlet.

Advisories and Warnings for Transporting or Storing the Printer

- ❑ When storing or transporting the printer, avoid tilting it, placing it vertically, or turning it upside down; otherwise ink may leak.
- ❑ Before transporting the printer, make sure that the print head is in the home (far right) position.

Advisories and Warnings for Using the Printer with a Wireless Connection

- ❑ Radio waves from this printer may negatively affect the operation of medical electronic equipment, causing them to malfunction. When using this printer inside medical facilities or near medical equipment, follow directions from the authorized personnel representing the medical facilities, and follow all posted warnings and directions on the medical equipment.
- ❑ Radio waves from this printer may negatively affect the operation of automatically controlled devices such as automatic doors or fire alarms, and could lead to accidents due to malfunction. When using this printer near automatically controlled devices, follow all posted warnings and directions on these devices.

Advisories and Warnings for Using Memory Cards

- ❑ Do not remove a memory card or turn off the printer while the memory card light is flashing.
- ❑ The methods for using memory cards vary according to card type. Be sure to refer to the manual packaged with your memory card for details.
- ❑ Use only memory cards compatible with the printer.

Related Information

- ➔ [“Supported Memory Card Specifications” on page 191](#)

Advisories and Warnings for Using the LCD Screen

- ❑ The LCD screen may contain a few small bright or dark spots, and because of its features it may have an uneven brightness. These are normal and do not indicate that it is damaged in any way.
- ❑ Only use a dry, soft cloth for cleaning. Do not use liquid or chemical cleaners.
- ❑ The exterior cover of the LCD screen could break if it receives a heavy impact. Contact your dealer if the screen's surface chips or cracks, and do not touch or attempt to remove the broken pieces.

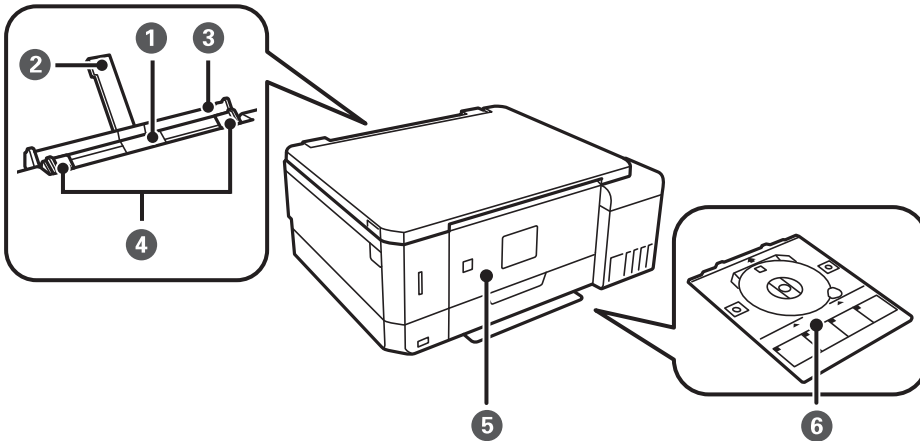
Important Instructions

Protecting Your Personal Information

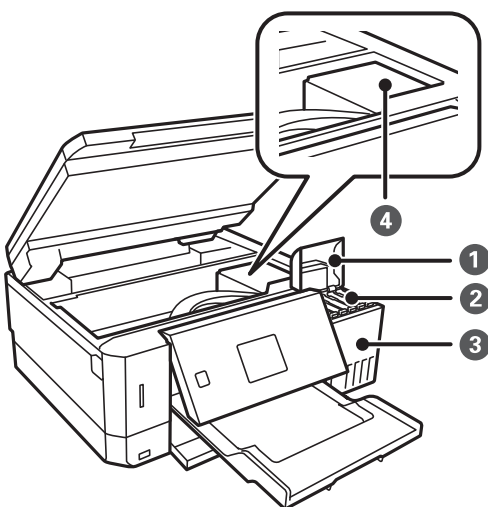
When you give the printer to someone else or dispose of it, erase all the personal information stored in the printer's memory by selecting **Settings > Restore Default Settings > All Settings** on the control panel.

Printer Basics

Part Names and Functions



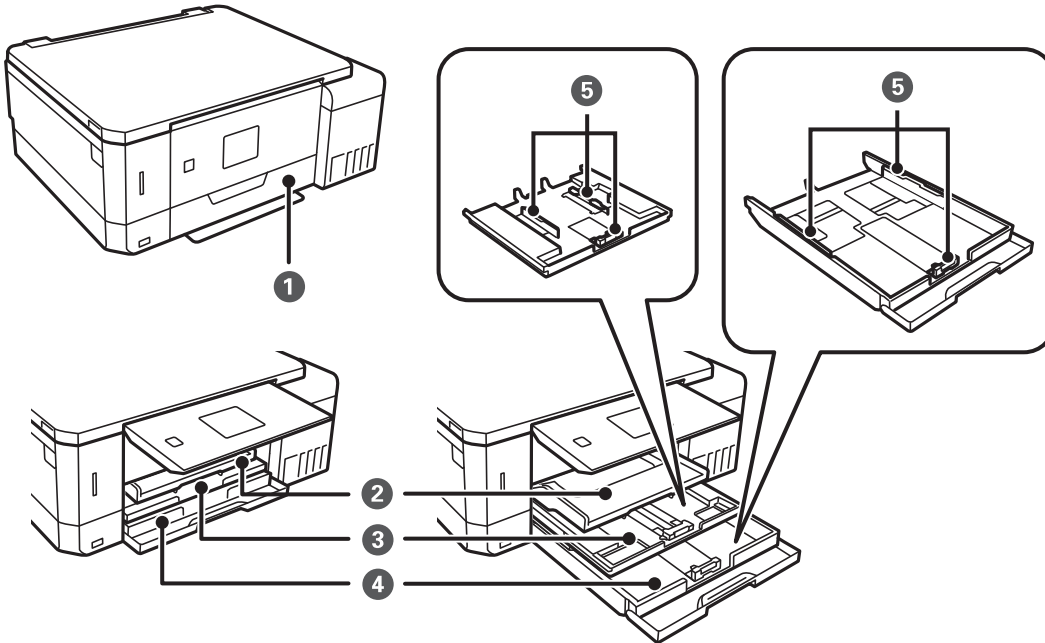
①	Rear paper feed slot	Load one sheet of paper at a time by hand.
②	Paper support	Supports loaded paper.
③	Rear paper feed slot cover	Prevents foreign substances from entering the printer. This cover should usually be closed.
④	Edge guide	Feeds the paper straight into the printer. Slide to the edges of the paper.
⑤	Control Panel	Operates the printer. You can change the angle of the control panel by hand.
⑥	CD/DVD tray	Place a CD/DVD for label printing. This should usually be stored on the bottom of the printer.



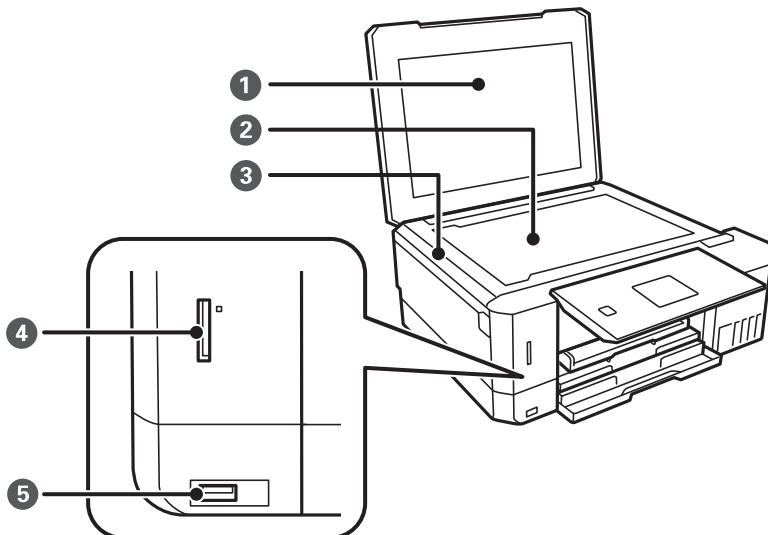
①	Ink tank cover	Open to refill the ink tank.
---	----------------	------------------------------

Printer Basics

②	Ink reservoir tanks (Ink tanks)	Supply ink to the print head.
③	Ink tank unit	Contains the ink tanks.
④	Print head	Ink is ejected from the print head nozzles underneath.

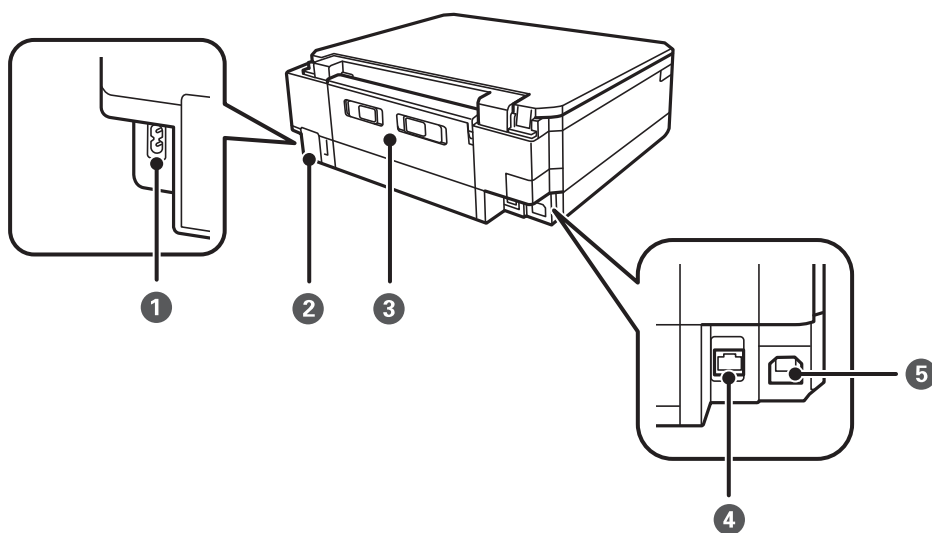


①	Front cover	Open to load paper in the paper cassette.
②	Output tray	Holds the ejected paper. Pull out manually and push it back in to store.
③	Paper cassette 1	Loads paper.
④	Paper cassette 2	
⑤	Edge guide	Feeds the paper straight into the printer. Slide to the edges of the paper.



Printer Basics

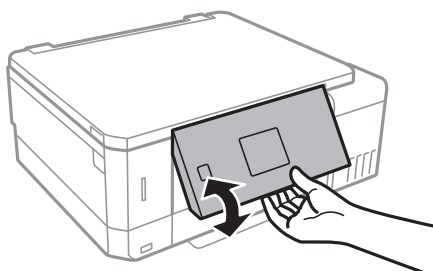
①	Document cover	Blocks external light while scanning.
②	Scanner glass	Place the originals.
③	Scanner unit	Scans placed originals. Open to refill the ink tank or to remove jammed paper. This unit should usually be kept closed.
④	Memory card slot	Insert a memory card.
⑤	External interface USB port	Connects an external storage device or a PictBridge capable device.



①	AC inlet	Connects the power cord.
②	Maintenance box cover	Remove when replacing the maintenance box. The maintenance box is a container that collects a very small amount of surplus ink during cleaning or printing.
③	Rear cover	Remove when removing jammed paper.
④	USB port	Connects a USB cable to connect with a computer.
⑤	LAN port	Connects a LAN cable.

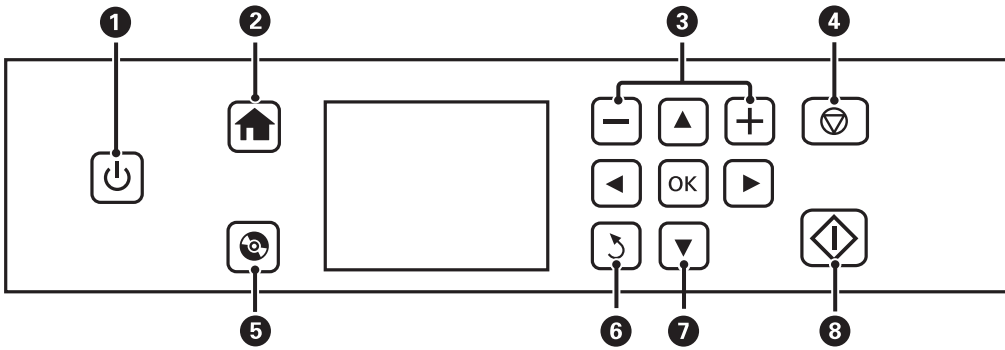
Control Panel

You can change the angle of the control panel.



Printer Basics

Buttons



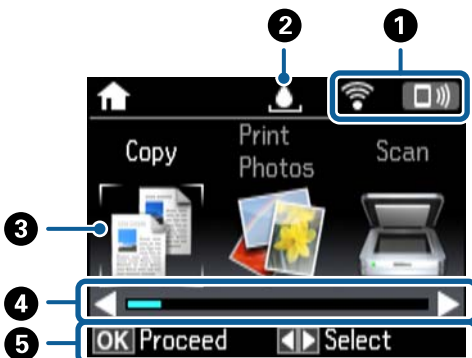
1		Turns the printer on or off. Do not turn off while the power light is flashing (while the printer is operating or processing data). Unplug the power cord when the power light is off.
2		Displays the home screen.
3		Selects the number of pages to print.
4		Stops the current operation.
5		Displays menus such as CD/DVD label printing and copying.
6		Returns to the previous screen.
7		Use the buttons to select a menu, and then press the OK button to open the selected menu.
8		Starts an operation such as printing or copying.

Guide to the LCD Screen

Menus and messages are displayed on the LCD screen. Select a menu or setting by pressing the buttons.

Guide to the Home Screen

The following icons and menus are displayed on the home screen.



Printer Basics

①	Icons that show the network status are displayed. You can learn the meaning of the icons in the Help menu. Enter Help from the home screen using the ◀ or ▶ button, and then press the OK button. Select Icon List using the ▲ or ▼ button, and then press the OK button.	
②	Displays the status of the maintenance box. You can learn the meaning of the icon in the Help menu.	
③	Function icons and names are displayed as mode icons.	
Copy	Allows you to copy a document.	
Print Photos	Allows you to print photos on your memory card.	
Scan	Allows you to scan a document or a photo.	
More Functions	Allows you to access a variety of printing features such as copying photos, printing photos in different layouts, and copying or printing on a CD/DVD.	
Quiet Mode	Displays Quiet Mode setting that allows you to reduce the noise the printer makes. However, enabling this may reduce print speed. Depending on the paper type and print quality settings you selected, there may be no difference in the printer's noise level. This is a shortcut to the following menu. Settings > Printer Setup > Quiet Mode	
Settings	Allows you to perform maintenance and make various settings for the printer features and operations.	
Maint.	Access the menus recommended to improve the quality of your printouts. This is a shortcut to the following menu. Settings > Maintenance	
Help	Displays help information on basic operations, meaning of the icons displayed on the LCD screen, and troubleshooting information.	
Wi-Fi Setup	Displays menus that allow you to set up the printer for use on a wireless network.	
④	When ◀ and ▶ are displayed, you can scroll right or left.	
⑤	Available buttons are displayed. In this example, you can proceed to the selected menu by pressing the OK button, and you can select another menu by pressing the ◀ or ▶ button.	

Related Information

- ➔ [“Copying Basics” on page 97](#)
- ➔ [“Printing Photos by Selecting from a Memory Card” on page 61](#)
- ➔ [“Scanning Using the Control Panel” on page 104](#)
- ➔ [“Copying Photos” on page 100](#)
- ➔ [“Printing in Various Layouts” on page 68](#)
- ➔ [“Printing Photos from a Memory Card onto a CD/DVD Label” on page 62](#)
- ➔ [“Menu Options for Settings Mode” on page 135](#)
- ➔ [“Menu Options for Maintenance” on page 135](#)
- ➔ [“Menu Options for Network Settings” on page 137](#)

Printer Basics

Entering Characters

To enter characters and symbols for network settings from the control panel, use the ▲, ▼, ◀, and ▶ buttons and the software keyboard on the LCD screen. Press the ▲, ▼, ◀, or ▶ button to highlight a character or function button on the keyboard, and then press the OK button to confirm. When you have finished entering characters, highlight **Done**, and then press the OK button.

The displayed screen varies depending on the settings items. The following is the screen for entering the password for your Wi-Fi network.



Icons	Descriptions
AB12	Changes letters to uppercase.
ab12	Changes letters to lowercase.
Symbol	Displays symbols.
◀▶	Moves the cursor to the left or right.
←	Deletes a character to the left (backspace).
Space	Enters a space to the right of the cursor.
Done	Closes the software keyboard screen and displays a confirmation screen, or moves to the next screen.

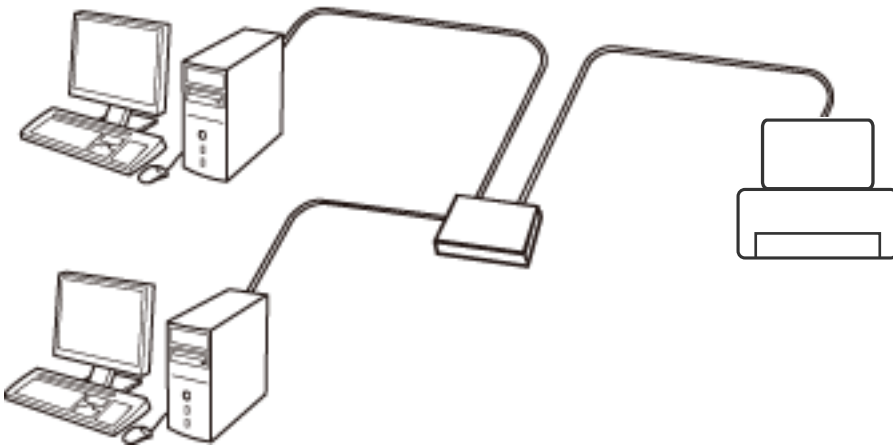
Network Settings

Network Connection Types

You can use the following connection methods.

Ethernet Connection

Connect the printer to a hub with an Ethernet cable.

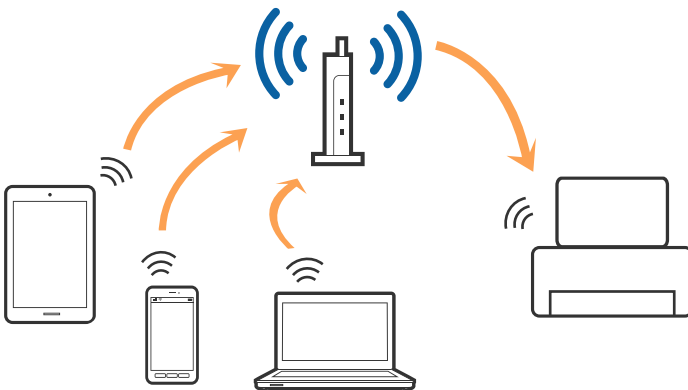


Related Information

- ➔ [“Connecting to a Computer” on page 22](#)
- ➔ [“Making Advanced Network Setting” on page 27](#)

Wi-Fi Connection

Connect the printer and the computer or smart device to the access point. This is the typical connection method for home or office networks where computers are connected by Wi-Fi through the access point.



Related Information

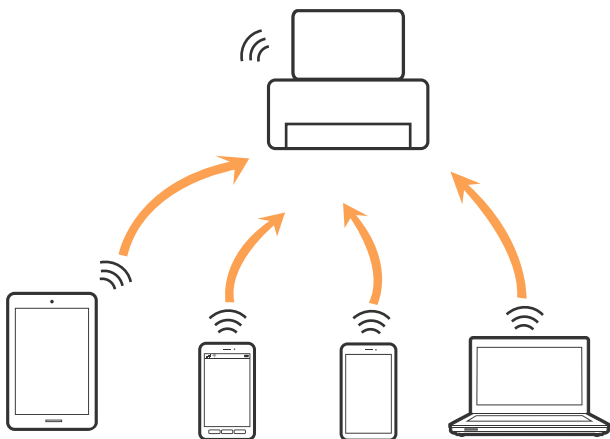
- ➔ “Connecting to a Computer” on page 22
- ➔ “Connecting to a Smart Device” on page 23
- ➔ “Making Wi-Fi Settings from the Printer” on page 23

Wi-Fi Direct (Simple AP) Connection

Use this connection method when you are not using Wi-Fi at home or at the office, or when you want to connect the printer and the computer or smart device directly. In this mode, the printer acts as an access point and you can connect up to four devices to the printer without having to use a standard access point. However, devices directly connected to the printer cannot communicate with each other through the printer.

Note:

Wi-Fi Direct (Simple AP) connection is a connection method designed to replace Ad Hoc mode.



The printer can be connected by Wi-Fi or Ethernet, and Wi-Fi Direct (Simple AP) connection simultaneously. However, if you start a network connection in Wi-Fi Direct (Simple AP) connection when the printer is connected by Wi-Fi, the Wi-Fi is temporarily disconnected.

Related Information

- ➔ “Making Wi-Fi Direct (Simple AP) Connection Settings” on page 26

Connecting to a Computer

We recommend using the installer to connect the printer to a computer. You can run the installer using one of the following methods.

- Setting up from the website

Access the following website, and then enter the product name. Go to **Setup**, and then start setting up.

<http://epson.sn>

- Setting up using the software disc (only for the models that come with a software disc and users with computers with disc drives.)

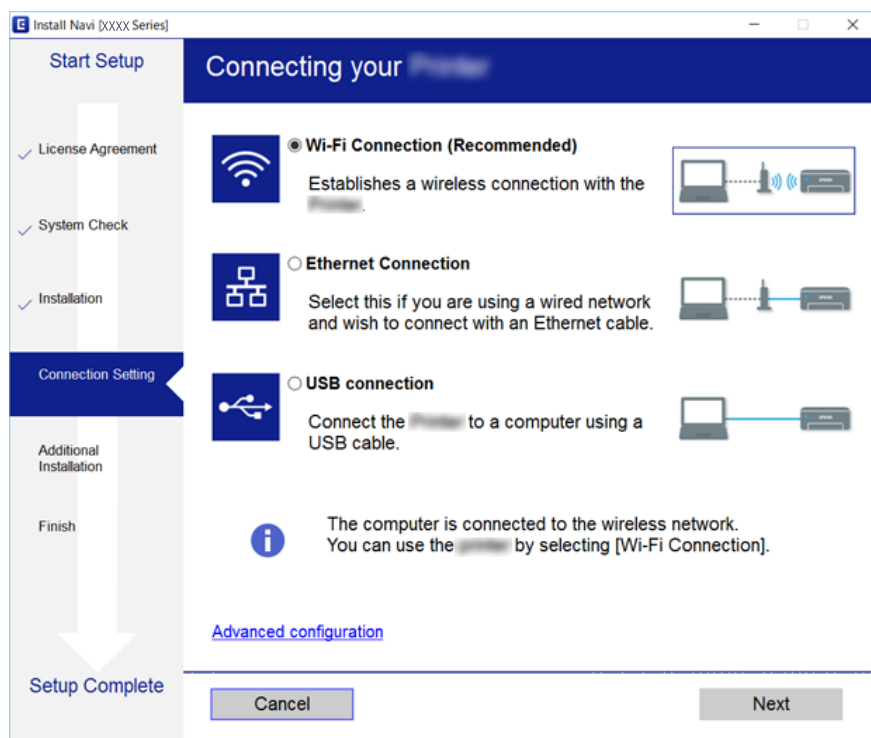
Insert the software disc into the computer, and then follow the on-screen instructions.

Network Settings

Selecting the Connection Methods

Follow the on-screen instructions until the following screen is displayed, and then select the connection method of the printer to the computer.

Select the connection type and then click **Next**.



Follow the on-screen instructions.

Connecting to a Smart Device

You can use the printer from a smart device when you connect the printer to the same Wi-Fi network (SSID) as the smart device. To use the printer from a smart device, set up from the following website. Access to the website from the smart device that you want to connect to the printer.

<http://epson.sn> > Setup

Note:

If you want to connect a computer and a smart device to the printer at the same time, we recommend connecting the computer first.

Making Wi-Fi Settings from the Printer

You can make network settings from the printer's control panel in several ways. Choose the connection method that matches the environment and conditions that you are using. If you know the information for the access point such as SSID and password, you can make settings manually. If the access point supports WPS, you can make settings by using push button setup.

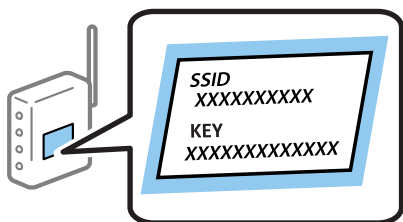
After connecting the printer to the network, connect to the printer from the device that you want to use (computer, smart device, tablet, and so on.)

Making Wi-Fi Settings Manually

You can manually set up the information necessary to connect to an access point from the printer's control panel. To set up manually, you need the SSID and password for an access point.

Note:

If you are using an access point with its default settings, the SSID and password are on the label. If you do not know the SSID and password, contact the person who set up the access point, or see the documentation provided with the access point.



1. Select **Wi-Fi Setup** on the home screen, and then press the OK button.
2. Select **Wi-Fi (Recommended)**, and then press the OK button.
3. Press the OK button.
4. Select **Wi-Fi Setup Wizard**, and then press the OK button.
5. Select the SSID for the access point from printer's control panel, and then press the OK button.

Note:

- If the SSID you want to connect to is not displayed on the printer's control panel, select **Search Again** to update the list. If it is still not displayed, select **Other Networks**, and then enter the SSID directly.
- If you do not know the SSID, check if it is written on the label of the access point. If you are using the access point with its default settings, use the SSID written on the label.


6. Enter the password, and then select **Done**. Press the OK button.

Note:

- The password is case-sensitive.
- If you do not know the password, check if it is written on the label of the access point. If you are using the access point with its default settings, use the password written on the label. The password may also be called a "Key", a "Passphrase", and so on.
- If you do not know the password for the access point, see the documentation provided with the access point, or contact the person who set it up.

7. Check the settings, and then press the OK button.
8. Select whether or not you print a network connection report after finishing the settings.

Note:

If you fail to connect, load papers, and then press the  button to print a network connection report.

Related Information

- ➔ [“Checking the Network Connection Status” on page 28](#)
- ➔ [“When You Cannot Make Network Settings” on page 166](#)

Network Settings

Making Wi-Fi Settings by Push Button Setup

You can automatically set up a Wi-Fi network by pressing a button on the access point. If the following conditions are met, you can set up by using this method.

- ❑ The access point is compatible with WPS (Wi-Fi Protected Setup).
- ❑ The current Wi-Fi connection was established by pressing a button on the access point.

Note:

If you cannot find the button or you are setting up using the software, see the documentation provided with the access point.

1. Select **Wi-Fi Setup** on the home screen, and then press the OK button.
2. Select **Wi-Fi (Recommended)**, and then press the OK button.
3. Press the OK button.
4. Select **Push Button Setup (WPS)**, and then press the OK button.
5. Hold down the [WPS] button on the access point until the security light flashes.



If you do not know where the [WPS] button is, or there are no buttons on the access point, see the documentation provided with your access point for details.

6. Press the OK button on the printer's control panel. Follow the on-screen instruction hereafter.

Note:

If connection fails, restart the access point, move it closer to the printer, and try again. If it still does not work, print a network connection report and check the solution.

Related Information

- ➔ [“Checking the Network Connection Status” on page 28](#)
- ➔ [“When You Cannot Make Network Settings” on page 166](#)

Making Wi-Fi Settings by PIN Code Setup (WPS)

You can connect to an access point by using a PIN code. You can use this method to set up if an access point is capable of WPS (Wi-Fi Protected Setup). Use a computer to enter a PIN code into the access point.

1. Select **Settings** on the home screen, and then press the OK button.

Network Settings

2. Select **Network Settings** and then press the OK button.
3. Select **Wi-Fi Setup** on the home screen and then press the OK button.
4. Select **PIN Code Setup (WPS)** and then press the OK button.
5. Use your computer to enter the PIN code (an eight digit number) displayed on the printer's control panel into the access point within two minutes.

Note:

See the documentation provided with your access point for details on entering a PIN code.

6. Press the OK button.

Setup is complete when the setup completion message is displayed.

Note:

If connection fails, restart the access point, move it closer to the printer, and try again. If it still does not work, print a connection report and check the solution.

Related Information

- ➔ [“Checking the Network Connection Status” on page 28](#)
- ➔ [“When You Cannot Make Network Settings” on page 166](#)

Making Wi-Fi Direct (Simple AP) Connection Settings

This method allows you to connect the printer directly to computer or smart devices without an access point. The printer acts as an access point.



Important:

When you connect from a computer or smart device to the printer using the Wi-Fi Direct (Simple AP) connection, the printer is connected to the same Wi-Fi network (SSID) as the computer or smart device and the communication is established between them. Since the computer or smart device is automatically connected to the other connectable Wi-Fi network if the printer is turned off, it is not connected to the previous Wi-Fi network again if the printer is turned on. Connect to the printer's SSID for Wi-Fi Direct (Simple AP) connection from the computer or smart device again. If you do not want to connect every time you turn the printer on or off, we recommend using Wi-Fi network by connecting the printer to an access point.

1. Select **Wi-Fi Setup** on the home screen, and then press the OK button.
2. Select **Wi-Fi Direct**, and then press the OK button.
3. Press the OK button.
4. Press the OK button to start the setup.
5. Press the OK button.
6. Check the SSID and password displayed on the printer's control panel. On the network connection screen of the computer or smart device, select the SSID shown on the printer's control panel to connect.
7. Enter the password displayed on the printer's control panel on the computer or smart device.

Network Settings

- After the connection is established, press the OK button on the printer's control panel.
- Press the OK button.

Related Information

- ➔ [“Checking the Network Connection Status” on page 28](#)
- ➔ [“When You Cannot Make Network Settings” on page 166](#)

Making Advanced Network Setting

You can change the network device name, TCP/IP setup, DNS server and so on. Check your network environment before making changes.

- Select **Settings** on the home screen, and then press the OK button.
- Select **Network Settings**, and then press the OK button.
- Select **Manual Network Setup**, and then press the OK button.
- Enter the device name.

You can enter the following characters. To fix the device name, move the cursor on the **Done**, and then press the OK button.

- Character limits: 2 to 15 (you must enter at least 2 characters)
- Usable characters: A to Z, a to z, 0 to 9, -.
- Characters you cannot use at the top: 0 to 9, -.
- Characters you cannot use at the bottom: -

Note:

If you press the OK button without entering the device name, the default device name (EPSON and the last six digits of the device's MAC address) are set.

- Select the method for acquiring the IP address (TCP/IP Setup).
 - Auto
Select when you are using an access point at home or you are allowing the IP address to be acquired automatically by DHCP.
 - Manual
Select when you do not want the device's IP address to be changed. Enter the IP address, subnet mask, default gateway, primary DNS server, and secondary DNS server according to your network environment. Press the OK button, and go to step 7.
- Select the method for setting the DNS server.
 - Auto
Select when you want to acquire the IP address automatically.
 - Manual
Select when you want to set a unique DNS server address to the device. Enter the addresses for the primary DNS server and the secondary DNS server.

Network Settings

7. Select whether or not to use a proxy server.

Do Not Use

Select when you are using the printer in a home network environment.

Use

Select when you are using a proxy server in your network environment and you want to set it to the printer. Enter the proxy server address and port number.

8. Check the settings and press the OK button.

A message is displayed on the LCD screen when the network settings are complete, and you are returned to the home screen after a short period of time.

Checking the Network Connection Status

You can check the network connection status in the following way.

Checking the Network Status Using Network Icon

You can check the network connection status using the network icon on the printer's home screen. The icon changes depending on the connection type and strength of the radio wave. For more information, select **Help > Icon List** on the printer's control panel.

Checking the Network Status from the Control Panel

You can also view other network-related information by pressing the network menus you want to check.

1. Select **Settings** on the home screen, and then press the OK button.
2. Select **Network Settings**, and then press the OK button.
3. Select **Network Status**, and then press the OK button.

Displays the Wi-Fi and Wi-Fi Direct (Simple AP) connection status. You can check if the printer is connected to the network, or how many devices are connected when the printer is connected by Wi-Fi Direct (Simple AP) connection.

4. To check other information, press the ◀ or ▶ button and then press the ▲ or ▼ button to select the menus that you want to check.

Wired LAN/Wi-Fi Status

Displays the network information (Obtain IP Address, Default Gateway, DNS Server Setup Mode and so on) for Ethernet or Wi-Fi connections.

Wi-Fi Direct Status

Displays the network information (Obtain IP Address, the number of connected devices, Default Gateway and so on) for Wi-Fi Direct (Simple AP) connections.

Epson Connect Status


Displays the registered information for Epson Connect services.

Network Settings

Google Cloud Print Status


Displays the registered information for Google Cloud Print services and the connection status.

Print Status Sheet

Make sure that papers are set to the printer, then press the  button to print a network status sheet.

Printing a Network Connection Report

You can print a network connection report to check the status between the printer and the access point.

1. Load papers.
2. Select **Settings** on the home screen, and then press the OK button.
3. Select **Network Settings**, and then press the OK button.
4. Select **Connection Check**, and then press the OK button.
The connection check starts.
5. Select **Yes**, and then press the OK button.
6. Press the  button to print the network connection report.
If an error has occurred, check the network connection report, and then follow the printed solutions.

Related Information

➔ [“Messages and Solutions on the Network Connection Report” on page 30](#)

Network Settings

Messages and Solutions on the Network Connection Report

Check the messages and error codes on the network connection report, and then follow the solutions.

```

Check Network Connection

Check Result                FAIL
Error code                  (E-7)
See the Network Status and check if the Network Name (SSID) is
the SSID you want to connect.
If the SSID is correct, make sure to enter the correct password
and try again.

If your problems persist,
see your documentation for help and networking tips.

Checked Items

Wireless Network Name (SSID) Check    PASS
Communication Mode Check              PASS
Security Mode Check                   PASS
MAC Address Filtering Check           PASS
Security Key/Password Check          FAIL
IP Address Check                      Unchecked
Detailed IP Setup Check              Unchecked

Network Status

Printer Model                    XX-XXX XXX Series
IP Address                      0.0.0.0
Subnet Mask                     255.255.255.0
Default Gateway
Network Name (SSID)             XXXXXXXXXXXX
Communication Mode              WPA2-PSK (AES)
Signal Strength                 Poor
MAC Address                     44:D2:44:DA:C0:43
    
```

a. Error code

b. Messages on the Network Environment

a. Error code

Code	Solution
E-1	<input type="checkbox"/> Make sure that the Ethernet cable is connected to the printer, a hub, or other network devices. <input type="checkbox"/> Make sure that the hub or other network devices are turned on.

Network Settings

Code	Solution
E-2	<ul style="list-style-type: none"> <input type="checkbox"/> Make sure that the access point is turned on.
E-3	<ul style="list-style-type: none"> <input type="checkbox"/> Check that the computer or other devices are connected correctly to the access point.
E-7	<ul style="list-style-type: none"> <input type="checkbox"/> Place the printer close to the access point. Remove any obstacles between them. <input type="checkbox"/> If you have entered the SSID manually, check if it is correct. Check the SSID from the Network Status part on the network connection report. <input type="checkbox"/> To establish a network using push button setup, check that the access point supports WPS. If it does not support WPS, you cannot establish a network using push button setup. <input type="checkbox"/> Check that only ASCII characters (alphanumeric characters and symbols) are used for the SSID. The printer cannot display an SSID which contains any characters other than ASCII characters. <input type="checkbox"/> Check the SSID and password before connecting to the access point. If you are using an access point with its default settings, the SSID and password are on the label. If you do not know the SSID and password, contact the person who set up the access point, or see the documentation provided with the access point. <input type="checkbox"/> When you want to connect to an SSID generated using the tethering function on a smart device, check the SSID and password in the documentation provided with the smart device. <input type="checkbox"/> If the Wi-Fi connection is suddenly disconnected, check the following. If any of these are applicable, reset the network settings using the installer. You can run it from the following website. http://epson.sn > Setup <ul style="list-style-type: none"> <input type="checkbox"/> Another smart device was added to the network using push button setup. <input type="checkbox"/> The Wi-Fi network was set up using any method other than push button setup.
E-5	<p>Make sure the access point's security type is set to one of the following. If it is not, change the security type on the access point, and then reset the printer's network settings.</p> <ul style="list-style-type: none"> <input type="checkbox"/> WEP-64 bit (40 bit) <input type="checkbox"/> WEP-128 bit (104 bit) <input type="checkbox"/> WPA PSK (TKIP/AES)* <input type="checkbox"/> WPA2 PSK (TKIP/AES)* <input type="checkbox"/> WPA (TKIP/AES) <input type="checkbox"/> WPA2 (TKIP/AES) <p>* : WPA PSK is also known as WPA Personal. WPA2 PSK is also known as WPA2 Personal.</p>
E-6	<ul style="list-style-type: none"> <input type="checkbox"/> Check if the MAC address filtering is disabled. If it is enabled, register the printer's MAC address so that it is not filtered. See the documentation provided with the access point for details. You can check the printer's MAC address from the Network Status part on the network connection report. <input type="checkbox"/> If the access point's shared authentication is enabled on the WEP security method, make sure the authentication key and index are correct.
E-8	<ul style="list-style-type: none"> <input type="checkbox"/> Enable DHCP on the access point when the printer's Obtain IP Address is set to Auto. <input type="checkbox"/> If the printer's Obtain IP Address is set to Manual, the IP address you manually set is out of range (for example: 0.0.0.0) and it is disabled. Set a valid IP address from printer's control panel or Web Config.

Network Settings

Code	Solution
E-9	<p>Check the following.</p> <ul style="list-style-type: none"> <input type="checkbox"/> Devices are turned on. <input type="checkbox"/> You can access the Internet and other computers or network devices on the same network from the devices you want to connect to the printer. <p>If it still does not work after checking the above, reset the network settings using the installer. You can run it from the following website.</p> <p>http://epson.sn > Setup</p>
E-10	<p>Check the following.</p> <ul style="list-style-type: none"> <input type="checkbox"/> Other devices on the network are turned on. <input type="checkbox"/> Network addresses (IP address, subnet mask, and default gateway) are correct if you have set the printer's Obtain IP Address to Manual. <p>Reset the network address if these are incorrect. You can check the IP address, subnet mask, and default gateway from the Network Status part on the network connection report.</p> <p>When DHCP is enabled, change the printer's Obtain IP Address to Auto. If you want to set the IP address manually, check the printer's IP address from the Network Status part on the network connection report, and then select Manual on the network settings screen. Set the subnet mask to [255.255.255.0].</p>
E-11	<p>Check the following.</p> <ul style="list-style-type: none"> <input type="checkbox"/> The default gateway address is correct when you set the printer's TCP/IP Setup to Manual. <input type="checkbox"/> The device that is set as the default gateway is turned on. <p>Set the correct default gateway address. You can check the default gateway address from the Network Status part on the network connection report.</p>
E-12	<p>Check the following.</p> <ul style="list-style-type: none"> <input type="checkbox"/> Other devices on the network are turned on. <input type="checkbox"/> The network addresses (IP address, subnet mask, and default gateway) are correct if you are entering them manually. <input type="checkbox"/> The network addresses for other devices (subnet mask and default gateway) are the same. <input type="checkbox"/> The IP address does not conflict with other devices. <p>If it still does not work after checking the above, try the following.</p> <ul style="list-style-type: none"> <input type="checkbox"/> Make network settings on the computer that is on the same network as the printer using the installer. You can run it from the following website. <p>http://epson.sn > Setup</p> <ul style="list-style-type: none"> <input type="checkbox"/> You can register several passwords on an access point that uses the WEP security type. If several passwords are registered, check if the first registered password is set on the printer.

Network Settings

Code	Solution
E-13	<p>Check the following.</p> <ul style="list-style-type: none"> <input type="checkbox"/> Network devices such as an access point, hub, and router are turned on. <input type="checkbox"/> The TCP/IP Setup for network devices has not been set up manually. (If the printer's TCP/IP Setup is set automatically while the TCP/IP Setup for other network devices is performed manually, the printer's network may differ from the network for other devices.) <p>If it still does not work after checking the above, try the following.</p> <ul style="list-style-type: none"> <input type="checkbox"/> Make network settings on the computer that is on the same network as the printer using the installer. You can run it from the following website. http://epson.sn > Setup <input type="checkbox"/> You can register several passwords on an access point that uses the WEP security type. If several passwords are registered, check if the first registered password is set on the printer.

b. Messages on the Network Environment

Message	Solution
*Multiple network names (SSID) that match your entered network name (SSID) have been detected. Confirm network name (SSID).	The same SSID may be set on several access points. Check the settings on the access points, and change the SSID.
The Wi-Fi environment needs to be improved. Turn the wireless router off and then turn it on. If the connection does not improve, see the documentation for the wireless router.	After moving the printer closer to the access point and removing any obstacles between them, turn the access point on. If it still does not connect, see the documentation supplied with the access point.
*No more devices can be connected. Disconnect one of the connected devices if you want to add another one.	You can simultaneously connect up to four computers and smart devices in Wi-Fi Direct (Simple AP) connection. To add another computer or smart device, disconnect one of the connected devices first.


Related Information

- ➔ [“Connecting to a Computer” on page 22](#)
- ➔ [“Web Config” on page 142](#)
- ➔ [“Cannot Connect from Devices Even Though Network Settings are No Problem” on page 166](#)

Printing a Network Status Sheet

You can check the detailed network information by printing it.

1. Load papers.
2. Select **Settings** on the home screen, and then press the OK button.
3. Select **Network Settings**, and then press the OK button.
4. Select **Network Status**, and then press the OK button.
5. Press the ◀ or ▶ button, then select **Print Status Sheet** using the ▲ or ▼ button.

6. Press the  button.

The network status sheet is printed.

Replacing or Adding New Access Points

If the SSID changes due to the replacement of an access point, or an access point is added and a new network environment is established, re-set the Wi-Fi settings.

Related Information

- ➔ “Changing the Connection Method to a Computer” on page 34

Changing the Connection Method to a Computer

Using the installer and re-set up in a different connection method.

- Setting up from the website

Access the following website, and then enter the product name. Go to **Setup**, and then start setting up.

<http://epson.sn>

- Setting up using the software disc (only for the models that come with a software disc and users with computers with disc drives.)

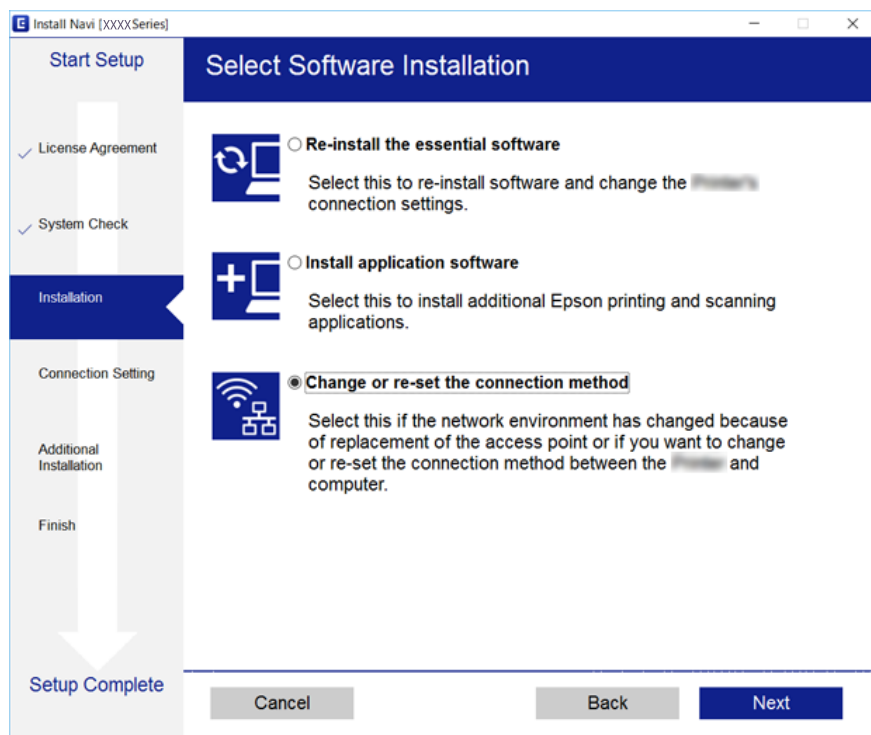
Insert the software disc into the computer, and then follow the on-screen instructions.

Selecting Change the Connection Methods

Follow the on-screen instructions until the following screen is displayed.

Network Settings

Select **Change or re-set the connection method** on the Select Software Installation screen, and then click **Next**.



Disabling Wi-Fi from the Control Panel

When Wi-Fi is disabled, the Wi-Fi connection is disconnected.

1. Select **Settings** on the home screen.
2. Select **Network Settings**.
3. Select **Wi-Fi Setup**.
4. Select **Disable Wi-Fi**.
5. Check the message, and then select **Yes**.

Disconnecting Wi-Fi Direct (Simple AP) connection from the Control Panel

Note:

When Wi-Fi Direct (Simple AP) connection is disabled, all computers and smart devices connected to the printer in Wi-Fi Direct (Simple AP) connection are disconnected. If you want to disconnect a specific device, disconnect from the device instead of the printer.

1. Select **Settings** on the home screen.
2. Select **Network Settings**.

Network Settings

3. Select **Wi-Fi Setup**.
4. Select **Wi-Fi Direct Setup**.
5. Select **Disable Wi-Fi Direct**.
6. Check the message, and then select **Yes**.

Restoring the Network Settings from the Control Panel

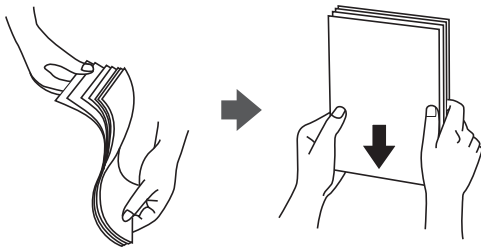
You can restore all network settings to their defaults.

1. Select **Settings** on the home screen.
2. Select **Restore Default Settings > Network Settings**.
3. Check the message, and then select **Yes**.

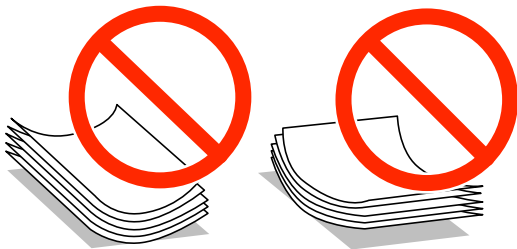
Loading Paper

Paper Handling Precautions

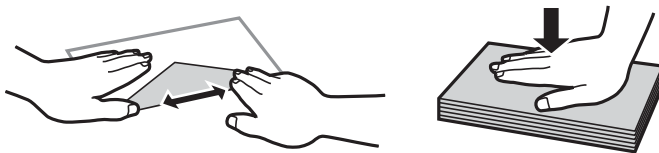
- ❑ Read the instruction sheets supplied with the paper.
- ❑ Fan and align the edges of the paper before loading. Do not fan or curl photo paper. Doing so may damage the printable side.



- ❑ If the paper is curled, flatten it or curl it slightly in the opposite direction before loading. Printing on curled paper may cause paper jams and smears on the printout.



- ❑ Do not use paper that is wavy, torn, cut, folded, damp, too thick, too thin, or paper that has stickers stuck to it. Using these types of paper causes paper jams and smears on the printout.
- ❑ Fan and align the edges of the envelopes before loading. When the stacked envelopes are puffed up with air, press them down to flatten them before loading.



- ❑ Do not use envelopes that are curled or folded. Using these envelopes causes paper jams and smears on the printout.
- ❑ Do not use envelopes with adhesive surfaces on the flaps or window envelopes.
- ❑ Avoid using envelopes that are too thin, as they may curl during printing.

Related Information

- ➔ [“Printer Specifications” on page 187](#)

Available Paper and Capacities

Epson recommends using genuine Epson paper to ensure high-quality printouts.

Genuine Epson Paper

Media Name	Size	Loading Capacity (Sheets)			2-Sided Printing ^{*1}	Borderless Printing ^{*2}
		Paper Cassette 1	Paper Cassette 2	Rear Paper Feed Slot		
Epson Bright White Ink Jet Paper	A4	–	80 ^{*3}	1	Auto, Manual	–
Epson Ultra Glossy Photo Paper	A4	–	20	1	–	✓
	10×15 cm (4×6 in.), 13×18 cm (5×7 in.)	20	20	1		
Epson Premium Glossy Photo Paper	A4	–	20	1	–	✓
	10×15 cm (4×6 in.), 13×18 cm (5×7 in.)	20	20	1		
	16:9 wide size (102×181 mm)					
Epson Premium Semigloss Photo Paper	A4	–	20	1	–	✓
	10×15 cm (4×6 in.)	20	20	1		
Epson Photo Paper Glossy	A4	–	20	1	–	✓
	10×15 cm (4×6 in.), 13×18 cm (5×7 in.)	20	20	1		
Epson Matte Paper-Heavyweight	A4	–	20	1	–	✓
Epson Double-Sided Matte Paper	A4	–	1	1	Manual	✓
Epson Photo Quality Ink Jet Paper	A4	–	80	1	–	–
Epson Iron-On Cool Peel Transfer Paper ^{*4}	A4	–	1	1	–	–
Epson Photo Stickers	A6	1	1	1	–	–

*1 The 2-sided printing feature is not available for the rear paper feed slot.

*2 Borderless printing is not available for 2-sided printing.

*3 For manual 2-sided printing, you can load up to 30 sheets for paper with one side already printed.

*4 Only printing from computer is available.

Loading Paper

Note:

The availability of paper varies by location. For the latest information on paper available in your area, contact Epson support.

Commercially Available Paper

Media Name	Size	Loading Capacity (Sheets)			2-Sided Printing*1	Borderless Printing
		Paper Cassette 1	Paper Cassette 2	Rear Paper Feed Slot		
Plain paper*2	Letter*3, A4, B5 *3	–	Up to the line indicated by the triangle symbol on the edge guide.*4	1	Auto, Manual	–
	A5	–		1	Manual	
	Legal *3	–	–	1	Manual	
	A6*3	20	20	1	Manual	
	User Defined*3	–	1*5	1	Manual	
Envelope*3	Envelope #10, Envelope DL, Envelope C6	–	10	1	–	–

*1 The 2-sided printing feature is not available for the rear paper feed slot.

*2 Use the rear paper feed slot to load pre-punched paper.

*3 Only printing from computer or smart device is available.

*4 For manual 2-sided printing, you can load up to 30 sheets for paper with one side already printed.

*5 Use the rear paper feed slot to load paper longer than A4 size.

Related Information

- ➔ [“Part Names and Functions” on page 15](#)
- ➔ [“Technical Support Web Site” on page 200](#)

List of Paper Types

To obtain optimum printing results, select the paper type that suits the paper.

Media Name	Media Type	
	Control Panel	Printer Driver, Smart device *2
Epson Bright White Ink Jet Paper*1	plain papers	plain papers
Epson Ultra Glossy Photo Paper*1	Ultra Glossy	Epson Ultra Glossy

Loading Paper

Media Name	Media Type	
	Control Panel	Printer Driver, Smart device ^{*2}
Epson Premium Glossy Photo Paper ^{*1}	Prem. Glossy	Epson Premium Glossy
Epson Premium Semigloss Photo Paper ^{*1}	Prem. Semigloss	Epson Premium Semigloss
Epson Photo Paper Glossy ^{*1}	Glossy	Photo Paper Glossy
Epson Matte Paper-Heavyweight ^{*1} Epson Double-Sided Matte Paper ^{*1}	Matte	Epson Matte
Epson Photo Quality Ink Jet Paper ^{*1}	Photo Quality IJ	Epson Photo Quality Ink Jet
Epson Iron-On Cool Peel Transfer Paper	plain papers ^{*3}	plain papers
Epson Photo Stickers ^{*1}	Photo Stickers	Epson Photo Stickers
Plain paper ^{*1}	plain papers	plain papers
Envelope	Envelope ^{*3}	Envelope

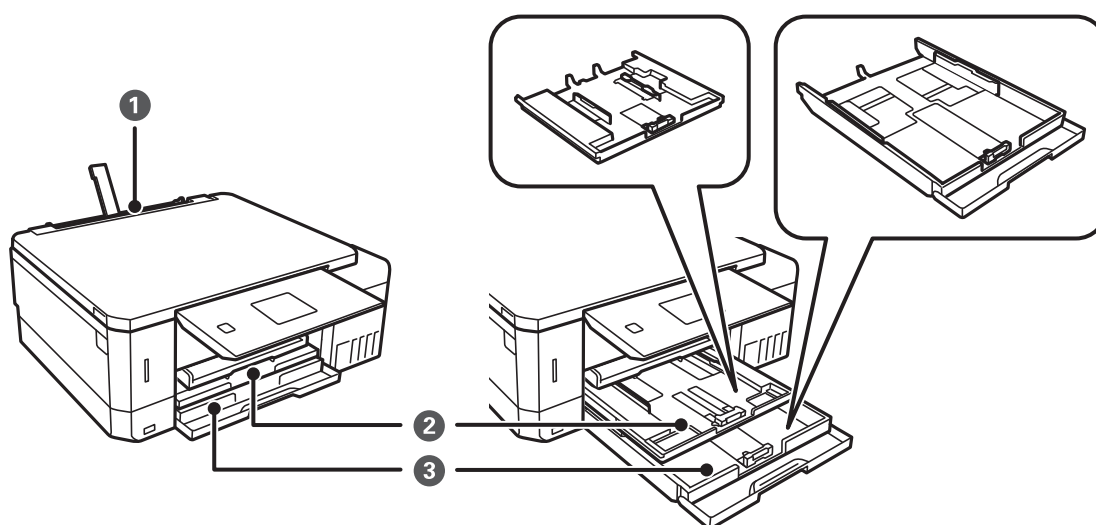
^{*1} These paper types are compatible with Exif Print and PRINT Image Matching when printing from the printer driver. For more details, see the documentation provided with the Exif Print or PRINT Image Matching compatible digital camera.

^{*2} For smart devices, these media types can be selected when printing using Epson iPrint.

^{*3} Only for registering the paper information when loading the paper. Printing from the control panel is not available.

Where to Load Paper

Load paper in one of the following paper sources.

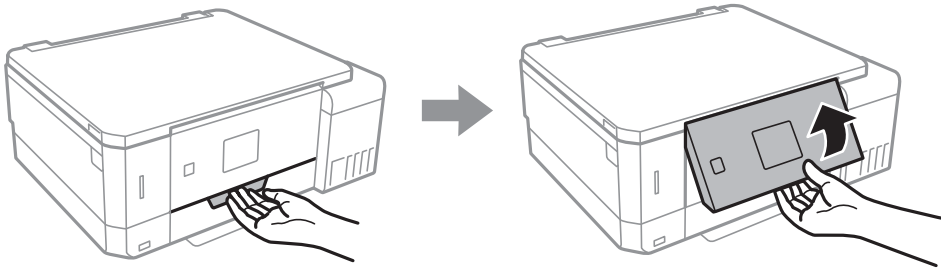


Loading Paper

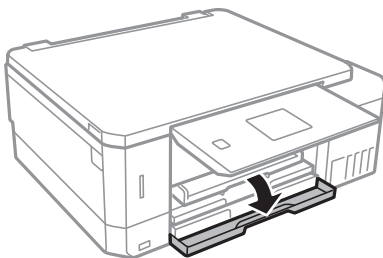
<p>❶</p>	<p>Rear paper feed slot</p>	<ul style="list-style-type: none"> ❑ You can load a single sheet of all types of supported paper. ❑ You can also load thick paper (up to 0.6 mm thick) and pre-punched paper, which cannot be loaded in the paper cassette. However, even if the thickness is within this range, some paper may not be fed correctly depending on the hardness. ❑ Load paper when a message is displayed on the control panel telling you to load paper.
<p>❷</p>	<p>Paper cassette 1</p>	<ul style="list-style-type: none"> ❑ You can load multiple sheets of small size photo paper. ❑ If you load the same paper in paper cassette 1 and paper cassette 2 and select Cassette 1>Cassette 2 as the Paper Source setting in the print settings, the printer automatically feeds paper from paper cassette 2 when paper runs out in paper cassette 1.
<p>❸</p>	<p>Paper cassette 2</p>	<p>We recommend loading A4 size plain paper as this is used frequently.</p>

Loading Paper in the Paper Cassette 1


1. When the output tray is ejected, check that there is no paper on the tray, and then close it by pushing it with your hand.
2. Raise the control panel.

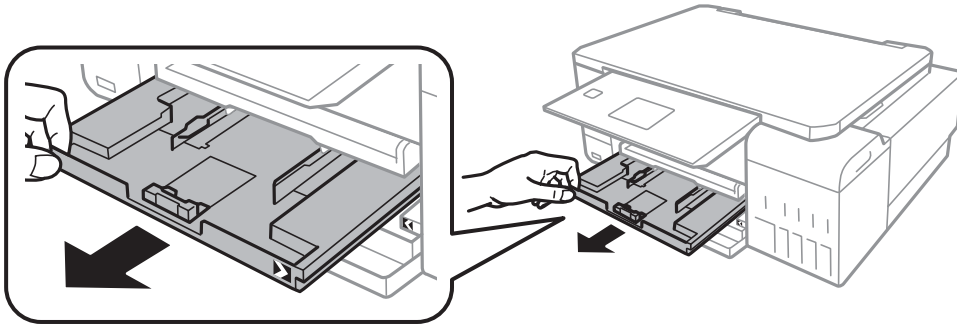


3. Open the front cover.



Loading Paper

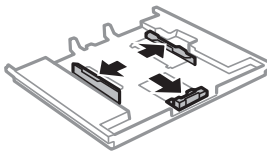
4. Check that the printer is not operating, and then pull out paper cassette 1. Paper cassette 1 has an alignment mark  that allows you to locate it easily.



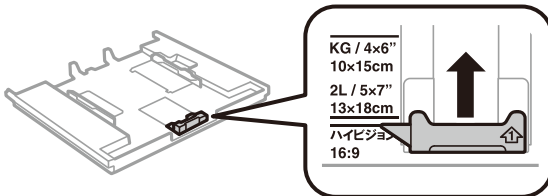
Important:

If paper cassette 1 is too far inside the printer, turn the printer off and on again.

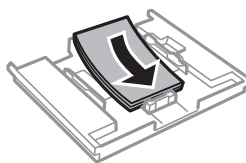
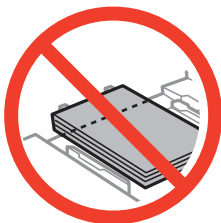
5. Slide the edge guides to their maximum position.



6. Slide the front edge guide to the paper size you want to use.



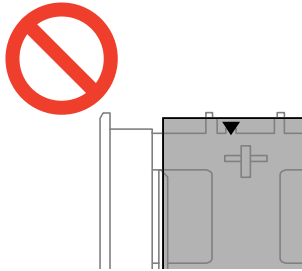
7. With the printable side facing down, load paper against the front edge guide.



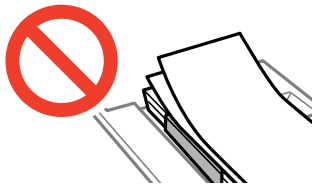
Loading Paper

! *Important:*

- ❑ *Make sure the paper does not extend beyond the triangle symbol at the end of the cassette.*

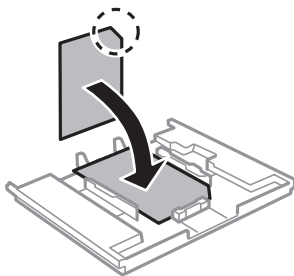


- ❑ *Do not load more than the maximum number of sheets specified for the paper. Do not load paper above the line indicated by the triangle symbol on the edge guide.*

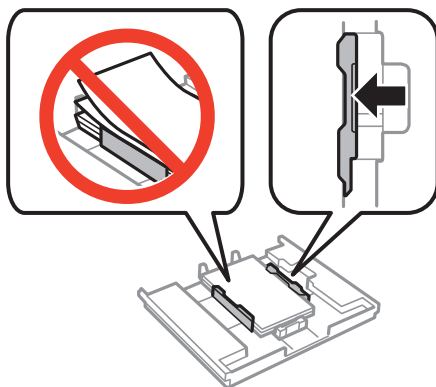


- ❑ **Photo Sticker sheet**

Follow the instructions supplied with the stickers to load one sheet of Photo Stickers. Do not load the loading support sheets into this product.

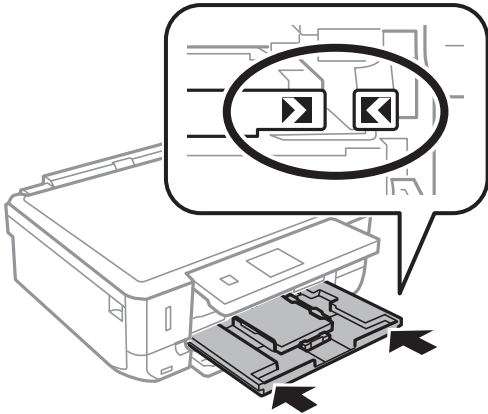


8. Slide the right edge guide to the edge of the paper.



Loading Paper

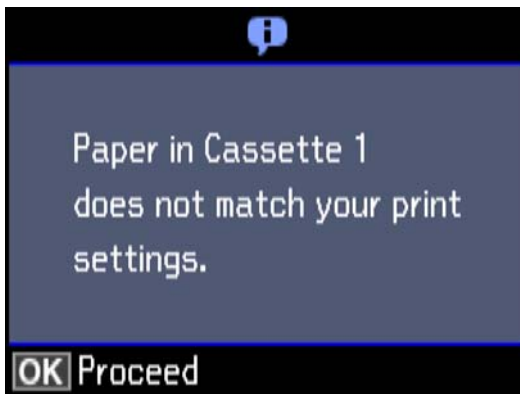
9. Insert paper cassette 1. Line up the alignment marks on the printer and the tray.



10. Check the paper size and paper type settings displayed on the control panel. To use the settings, select **Confirm** using the ▲ or ▼ button, press the OK button, and then go to step 12. To change the settings, select **Change** using the ▲ or ▼ button, press the OK button, and then go to the next step.

Note:

- ❑ When the **Paper Setting Alert** feature in the **Guide Functions** menu is enabled, a message is displayed if the registered paper size and paper type settings differ from the print settings.



- ❑ The paper setting screen is not displayed if you have disabled **Paper Configuration** in the following menus. Go to step 12. In this situation, you cannot print from an iPhone or iPad using AirPrint.

Settings > Printer Setup > Paper Source Setting > Paper Configuration

11. On the paper size setting screen, select the paper size using the ▲ or ▼ button, and then press the OK button. On the paper type setting screen, select the paper type in the same way, and then press the OK button. Check the settings, and then press the OK button.

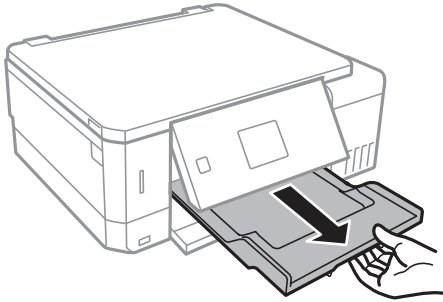
Note:

You can also display the paper size and paper type settings screen by selecting the paper source in the following menus.

Settings > Printer Setup > Paper Source Setting > Paper Setup

Loading Paper

12. Slide out the output tray.

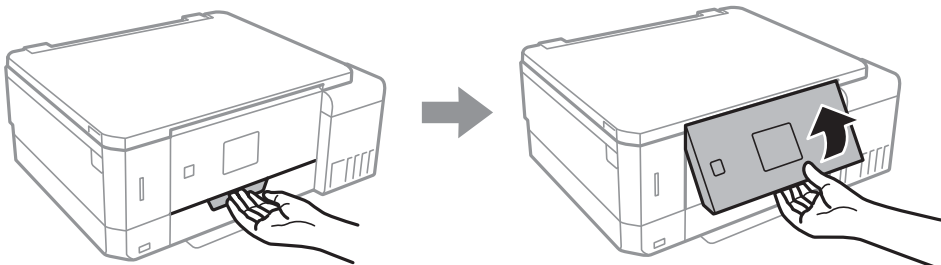


Related Information

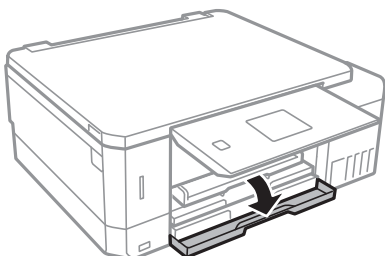
- ➔ [“Paper Handling Precautions” on page 37](#)
- ➔ [“Available Paper and Capacities” on page 38](#)
- ➔ [“Menu Options for Printer Setup” on page 136](#)
- ➔ [“Menu Options for Guide Functions” on page 140](#)

Loading Paper in the Paper Cassette 2

1. When the output tray is ejected, check that there is no paper on the tray, and then close it by pushing it with your hand.
2. Raise the control panel.

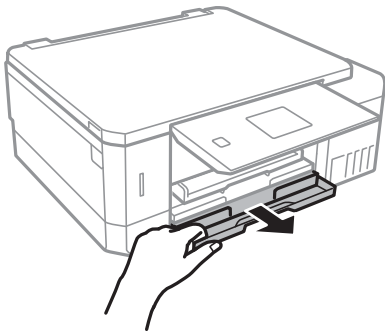


3. Open the front cover.

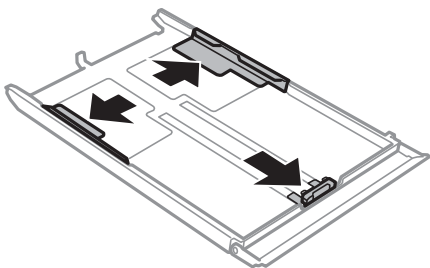


Loading Paper

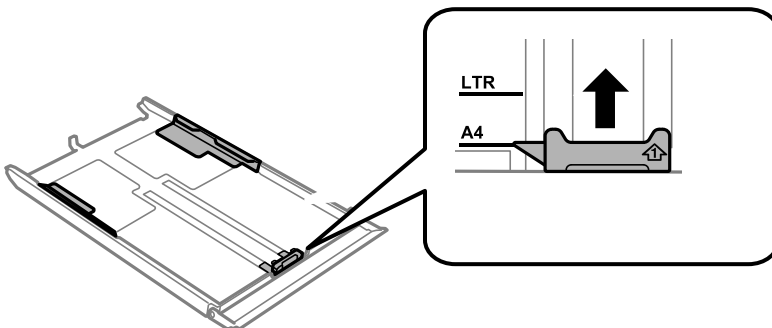
4. Check that the printer is not operating, and then pull out paper cassette 2.



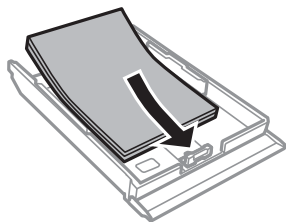
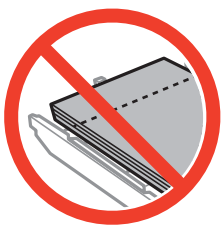
5. Slide the edge guides to their maximum position.



6. Slide the front edge guide to the paper size you want to use.



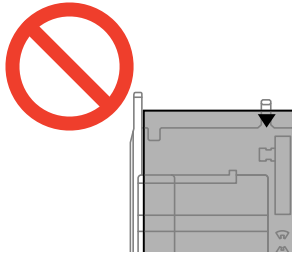
7. With the printable side facing down, load paper against the front edge guide.



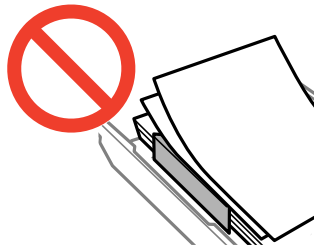
Loading Paper

! *Important:*

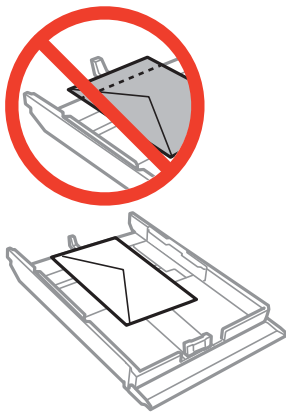
- ❑ *Make sure the paper does not extend beyond the triangle symbol at the end of the cassette.*



- ❑ *Do not load more than the maximum number of sheets specified for the paper. For plain paper, do not load above the line indicated by the triangle symbol on the edge guide.*

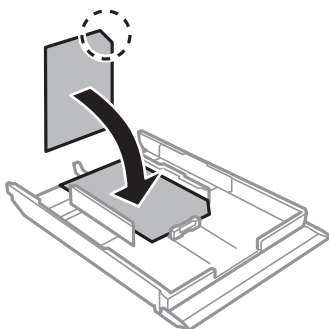


- ❑ Envelopes



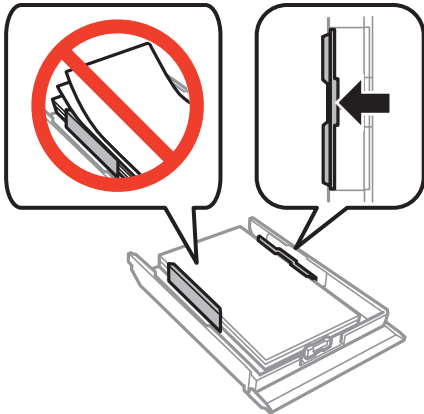
- ❑ Photo Sticker sheet

Follow the instructions supplied with the stickers to load one sheet of Photo Stickers. Do not load the loading support sheets into this product.

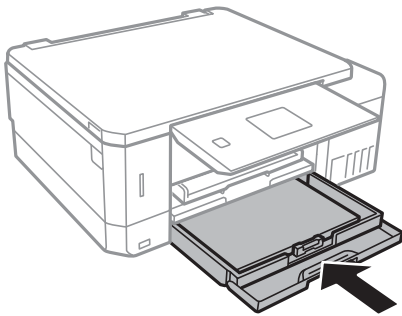


Loading Paper

- Slide the right edge guide to the edge of the paper.



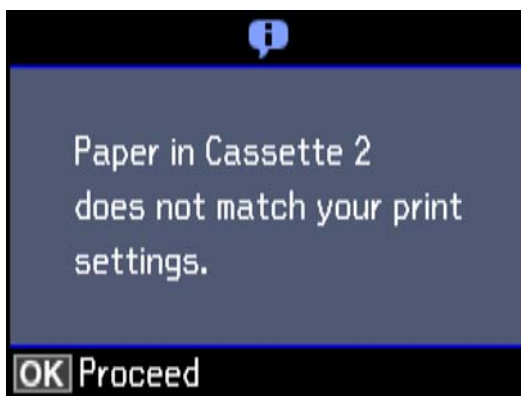
- Insert paper cassette 2.



- Check the paper size and paper type settings displayed on the control panel. To use the settings, select **Confirm** using the ▲ or ▼ button, press the OK button, and then go to step 12. To change the settings, select **Change** using the ▲ or ▼ button, press the OK button, and then go to the next step.

Note:

- When the **Paper Setting Alert** feature in the **Guide Functions** menu is enabled, a message is displayed if the registered paper size and paper type settings differ from the print settings.



- The paper setting screen is not displayed if you have disabled **Paper Configuration** in the following menu. Go to step 12. In this situation, you cannot print from an iPhone or iPad using AirPrint.

Settings > Printer Setup > Paper Source Setting > Paper Configuration

Loading Paper

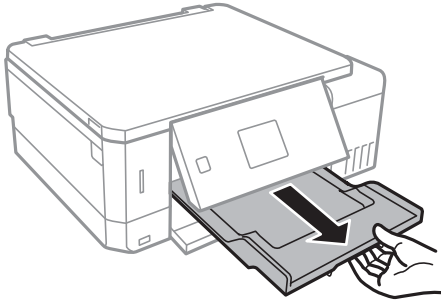
- On the paper size setting screen, select the paper size using the ▲ or ▼ button, and then press the OK button. On the paper type setting screen, select the paper type in the same way, and then press the OK button. Check the settings, and then press the OK button.

Note:

You can also display the paper size and paper type settings screen by selecting the paper source in the following menus.

Settings > Printer Setup > Paper Source Setting > Paper Setup

- Slide out the output tray.



Related Information

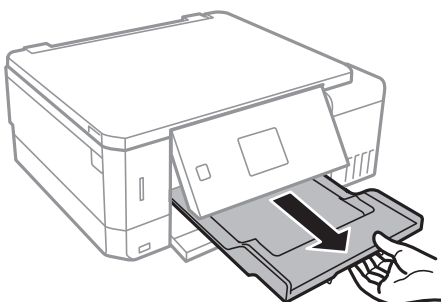
- ➔ [“Paper Handling Precautions” on page 37](#)
- ➔ [“Available Paper and Capacities” on page 38](#)
- ➔ [“Menu Options for Printer Setup” on page 136](#)
- ➔ [“Menu Options for Guide Functions” on page 140](#)

Loading Paper in the Rear Paper Feed Slot

! Important:

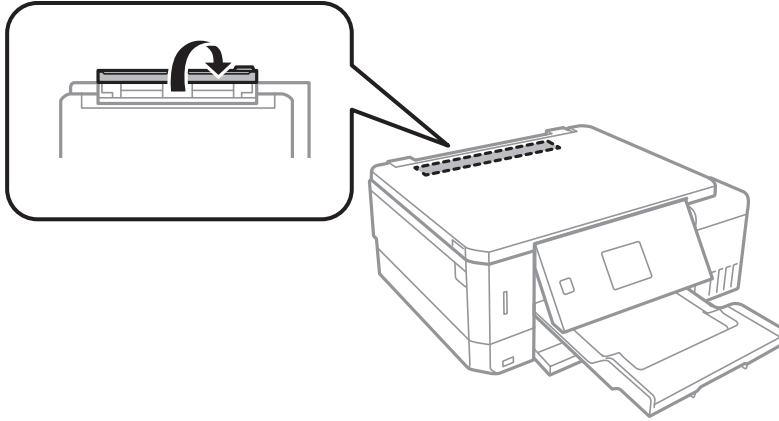
Do not load paper in the rear paper feed slot until the printer prompts you to do so. Doing so will result in the blank paper being ejected.

- Do one of the following.
 - When printing from the control panel: Select rear paper feed slot as the **Paper Source** setting, make other print settings, and then press the ◊ button.
 - When printing from a computer: Select rear paper feed slot as the **Paper Source** setting, make other print settings, and then click **Print**.
- Slide out the output tray.

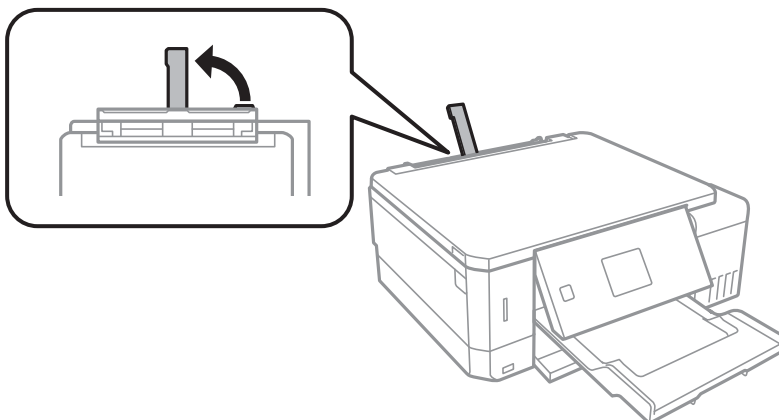


Loading Paper

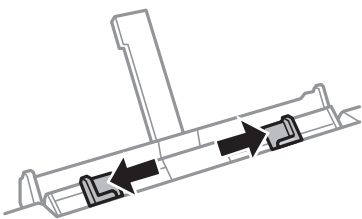
3. A message is displayed on the control panel telling you that the printer is preparing, and then you are instructed to load paper. Follow the instructions below to load the paper.
4. Open the rear paper feed slot.



5. Slide out the paper support.



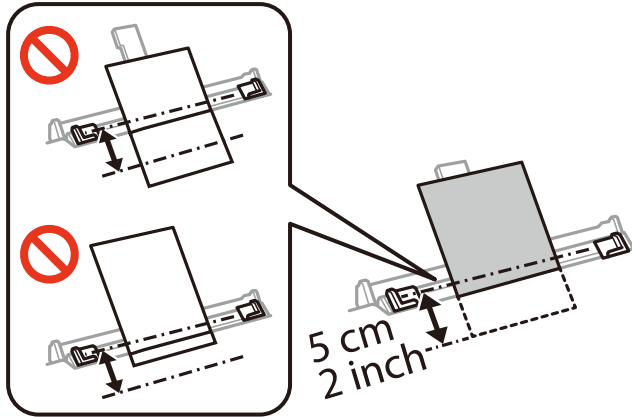
6. Slide out the edge guides.



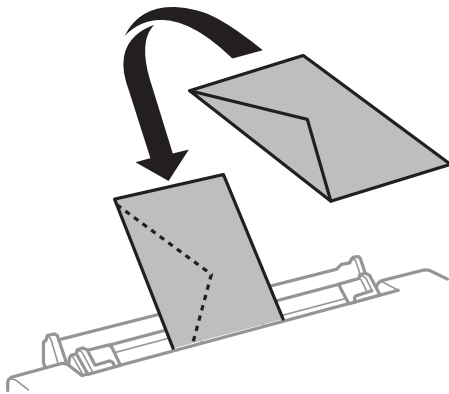
Loading Paper

7. Load a single sheet of paper at the center of the rear paper feed slot with the printable side facing up, and then insert it approximately 5 cm into the printer.

When loading 10×15 cm (4×6 in.) size paper, align it with the paper size indicator on the paper support, and the paper is inserted approximately 5 cm into the printer.

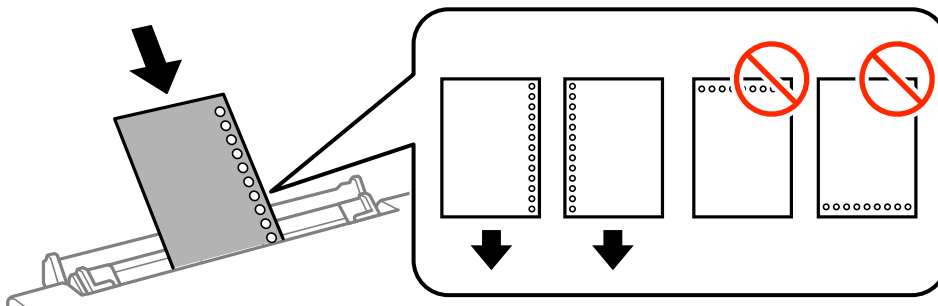


Envelopes



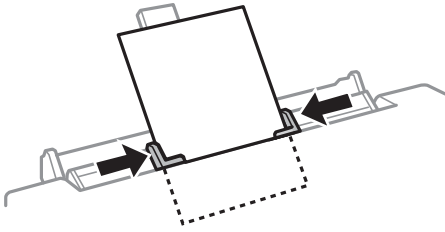
Pre-punched paper


Load a single sheet of defined size plain paper with binding holes at the left or right. Adjust the print position of your file to avoid printing over the holes.



Loading Paper

8. Slide the edge guides to the edges of the paper.



9. Press the  button to start printing.

Related Information

- ➔ [“Paper Handling Precautions” on page 37](#)
- ➔ [“Available Paper and Capacities” on page 38](#)

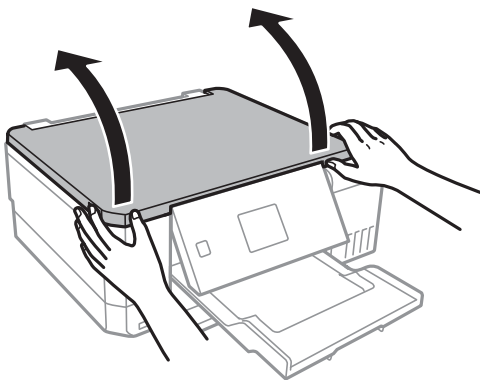
Placing Originals

Placing Originals on the Scanner Glass

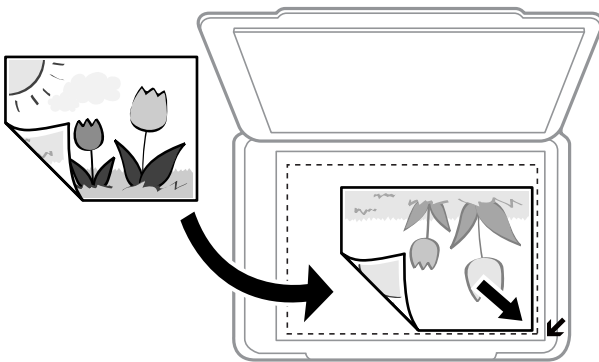
! *Important:*

When placing bulky originals such as books, prevent exterior light from shining directly onto the scanner glass.

1. Open the document cover.



2. Remove any dust or stains on the scanner glass.
3. Place the original face-down and slide it to the corner mark.



Note:

A range of 1.5 mm from the edges of the scanner glass is not scanned.

4. Close the cover gently.

! *Important:*

Do not apply too much force to the scanner glass or the document cover. Otherwise, they may be damaged.

Placing Originals

5. Remove the originals after scanning.

Note:

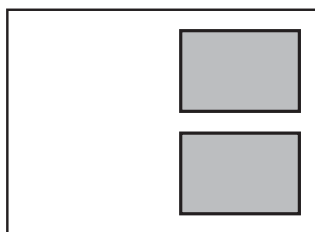
If you leave the originals on the scanner glass for a long time, they may stick to the surface of the glass.

How to Place Various Originals

Placing Photos for Copying

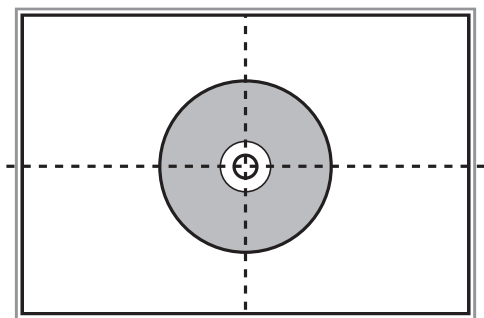
You can place multiple photos at a time to make separate copies. The photos should be larger than 30×40 mm. Place a photo 5 mm away from the corner mark of the scanner glass, and leave 5 mm between photos. You can place photos of different sizes at the same time.

Maximum size: 10×15 cm (4×6 in.)



Placing a CD/DVD for Copying Labels

Place a CD/DVD in the center of the scanner glass. If the CD/DVD is not placed exactly in the center, the positioning is automatically adjusted.

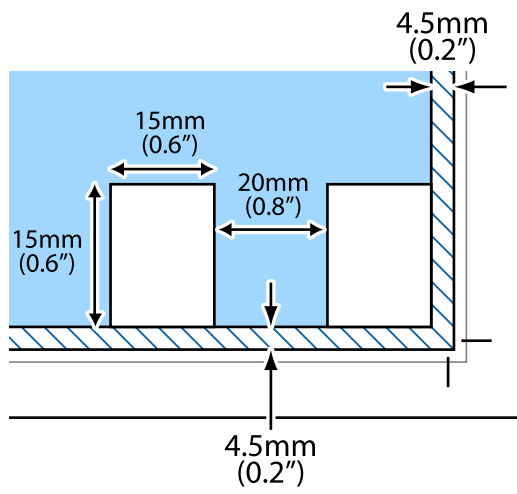


Placing Multiple Photos for Scanning at the Same Time

You can scan multiple photos at the same time and save each image in **Photo Mode** in Epson Scan 2 when you select **Thumbnail** from the list at the top of the preview window. Place the photos 4.5 mm away from the

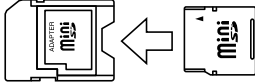

Placing Originals

horizontal and vertical edges of the scanner glass, and place them at least 20 mm apart from each other. The photos should be larger than 15×15 mm.



Inserting a Memory Card

Supported Memory Cards

	miniSD* miniSDHC* microSD* microSDHC* microSDXC*
	SD SDHC SDXC

* Attach an adapter to fit the memory card slot. Otherwise, the card may get stuck.

Related Information

➔ [“Supported Memory Card Specifications” on page 191](#)

Inserting and Removing a Memory Card

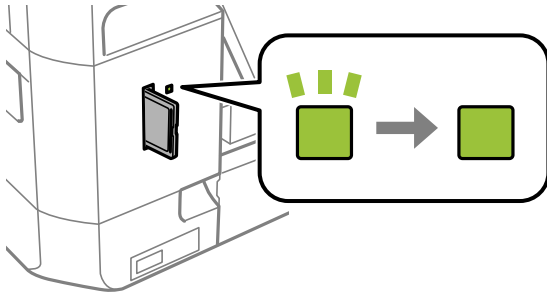
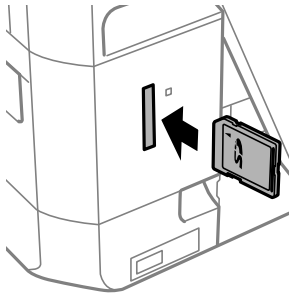
1. Insert a memory card into the printer.

The printer starts reading the data and the light flashes. When reading is complete, the light stops flashing and remains on.

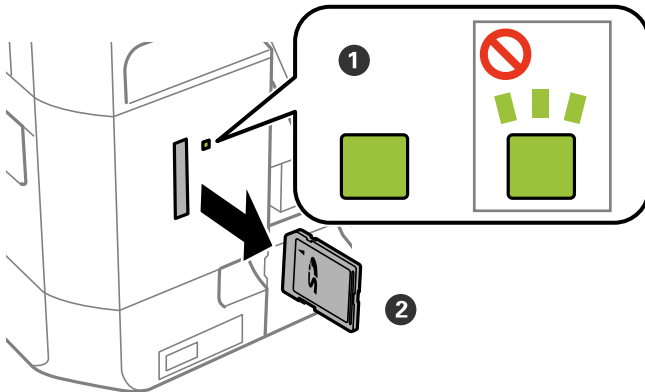
Inserting a Memory Card

! **Important:**

- ❑ Insert a memory card straight into the printer.
- ❑ The card should not be fully inserted. Do not try to force it all the way into the slot.



2. When you have finished using the memory card, make sure the light is not flashing, and then remove the card.



! **Important:**

If you remove the memory card while the light is flashing, the data in the memory card may be lost.

Note:

If you access the memory card from a computer, you need to operate the computer to safely remove the removable device.

Inserting a Memory Card

Related Information

- ➔ [“Accessing a Memory Card From a Computer” on page 199](#)

Loading a CD/DVD for Printing

Printable CD/DVDs

You can print on a circular 12-cm CD/DVD labelled as suitable for printing, for example "printable on the label surface" or "printable with ink jet printers."

You can also print on Blu-ray Discs™.

CD/DVD Handling Precautions

- ❑ See the documentation provided with your CD/DVD for more information on handling the CD/DVD or writing data.
- ❑ Do not print on the CD/DVD before writing your data to it. If you do, fingerprints, dirt, or scratches on the surface may cause errors while writing data.
- ❑ Depending on the CD/DVD type or printing data, smearing may occur. Try making a test print on a spare CD/DVD. Check the printed surface after waiting for one full day.
- ❑ Compared to printing on genuine Epson paper, the print density is lowered to prevent ink from smearing on the CD/DVD. Adjust the print density as necessary.
- ❑ Allow the printed CD/DVDs at least 24 hours to dry avoiding direct sunlight. Do not stack or insert the CD/DVDs into your device until they are completely dry.
- ❑ If the printed surface is sticky even after it has dried, lower the print density.
- ❑ Reprinting on the same CD/DVD may not improve the print quality.
- ❑ If the CD/DVD tray or the internal transparent compartment are accidentally printed on, immediately wipe off the ink.
- ❑ Depending on the print area setting, the CD/DVD or CD/DVD tray may get dirty. Make settings to print on the printable area.

Related Information

- ➔ ["Printable Area for CD/DVD" on page 188](#)
-

Loading and Removing a CD/DVD

When printing on or copying a CD/DVD, instructions are displayed on the control panel informing you when to load the CD/DVD. Follow the on-screen instructions.

Related Information

- ➔ ["Printable CD/DVDs" on page 59](#)
- ➔ ["CD/DVD Handling Precautions" on page 59](#)
- ➔ ["Printing Photos from a Memory Card onto a CD/DVD Label" on page 62](#)
- ➔ ["Printing a CD/DVD Label with Epson Print CD" on page 91](#)

Loading a CD/DVD for Printing

- ➔ [“Copying on a CD/DVD Label” on page 101](#)
- ➔ [“Menu Options for Copy to CD/DVD” on page 103](#)

Printing

Printing from the Control Panel

Printing Photos by Selecting from a Memory Card

1. Load paper in the printer.
2. Insert a memory card into the printer.



Important:

Do not remove the memory card until you have finished printing.

Note:

- Remove the memory card when printing from an external storage device such as a hard disk or USB flash memory.
- If you have 1000 or more photos on your memory card, photos are automatically divided into groups containing a maximum of 999 photos and the Select Group screen is displayed. Select a group containing the photos you want to print.

3. Enter **Print Photos** from the home screen using the ◀ or ▶ button, and then press the OK button.
4. Select a photo using the ◀ or ▶ button and set the number of copies using the – or + button. When printing more than one photo, repeat this procedure.

Note:

The following menus, that are displayed by pressing the ▼ button, help you select photos easily when you have many photos on your memory card.

- Browse:** Use the **Browse by Date** menu to sort photos by date, and then select all photos of the same date at the same time.
- Display Mode:** Use the **9-up** menu to display nine photos on a screen.

5. Press the ▼ button to display the menu, select **Print Settings** using the ▲ or ▼ button, and then press the OK button.

Note:

*Select **Crop/Zoom** if you want to crop a part of a photo. Use the ▲, ▼, ◀, or ▶ button to move the frame to the area you want to crop, and then press the – or + button to change the size of the frame. Press the ↕ button to rotate the frame.*

6. Use the ▲ or ▼ button to select setting items such as the paper size and the paper type, and change the settings using the ◀ or ▶ button.
7. Press the ◊ button.

Printing

Related Information

- ➔ “Loading Paper in the Paper Cassette 1” on page 41
- ➔ “Loading Paper in the Paper Cassette 2” on page 45
- ➔ “Loading Paper in the Rear Paper Feed Slot” on page 49
- ➔ “List of Paper Types” on page 39
- ➔ “Inserting a Memory Card” on page 56
- ➔ “Menu Options for Printing from the Control Panel” on page 70

Printing Photos from a Memory Card onto a CD/DVD Label



You can select photos stored on a memory card to print onto a CD/DVD label.


! **Important:**

- Before printing on the CD/DVD, see the CD/DVD handling precautions.
- Do not insert the CD/DVD tray while the printer is operating. This may damage the printer.
- Do not insert the CD/DVD tray until you are instructed to do so. Otherwise, an error occurs and the CD/DVD is ejected.

1. Insert a memory card into the printer.

! **Important:**

Do not remove the memory card until you have finished printing.

2. Press the  button, select **Print on CD/DVD** using the ▲ or ▼ button, and then press the OK button.
3. Select the layout using the ◀ or ▶ button, and then press the OK button.
You can select **CD/DVD 1-up**, **CD/DVD 4-up** or **CD/DVD Variety**.
4. Do one of the following.
 - When you select **CD/DVD 1-up** or **CD/DVD Variety**, check the screen, and then press the OK button.
 - When you select **CD/DVD 4-up**, select **Automatic Layout** or **Place Photos Manually** using the ▲ or ▼ button, and then press the OK button.
5. Do one of the following.
 - When you select **CD/DVD 1-up**, **CD/DVD Variety** or **Automatic Layout** for **CD/DVD 4-up**, select the photos you want to print using the ◀ or ▶ button, set the number of copies using the – or + button, and then press the OK button.

Printing

- ❑ When you select **Place Photos Manually** for **CD/DVD 4-up**, after displaying the photo you want to print using the ◀ or ▶ button, select **Place this photo** using the ▲ or ▼ button, and then press the OK button. If you want to leave a blank space, select **Leave Blank** using the ▲ or ▼ button, and then press the OK button.

Note:

- ❑ *The available number of copies is displayed at the top of the screen where you select the photos you want to print and the number of copies. You can select photos until 0 is indicated.*
- ❑ *Press the ▼ button, and then select **Crop/Zoom** using the ▲ or ▼ button if you want to crop a part of the photo. Use the ▲, ▼, ◀, or ▶ button to move the frame to the area you want to crop, and then press the – or + button to change the size of the frame.*

6. Check the screen, and then press the OK button.
7. Set the outer diameter using the ◀ or ▶ button, set the inner diameter using the ▲ or ▼ button, and then press the OK button.

Note:

You can set 114 to 120 mm as the outer diameter, and 18 to 46 mm as the inner diameter in 1 mm increments.

8. Select **Print on a CD/DVD** using the ▲ or ▼ button and press the OK button.

Note:

*For test printing, select **Test Print on A4 Paper** using the ▲ or ▼ button, and then load A4 plain paper in the paper cassette. You can check the printout image before printing on a CD/DVD label.*

9. A message is displayed on the screen telling you that the printer is getting ready. You are then instructed to load a CD/DVD. Press the ▼ button to check the instructions and load a CD/DVD.



Important:

Press the center of the CD/DVD to securely set it on the CD/DVD tray. Otherwise, the CD/DVD may fall off the tray.

10. Press the OK button, a message is displayed telling you that the printer is ready, and then press the OK button.
11. Press the ◊ button.
12. When printing has finished, the CD/DVD tray is ejected automatically. Remove the CD/DVD tray from the printer, and then remove the CD/DVD.



Important:

After printing is finished, make sure you remove the CD/DVD tray. If you do not remove the tray and turn the printer on or off, or run head cleaning, the CD/DVD tray will strike the print head and may cause the printer to malfunction.

13. Store the CD/DVD tray at the bottom of the printer.

Related Information

- ➔ [“CD/DVD Handling Precautions” on page 59](#)
- ➔ [“Inserting a Memory Card” on page 56](#)

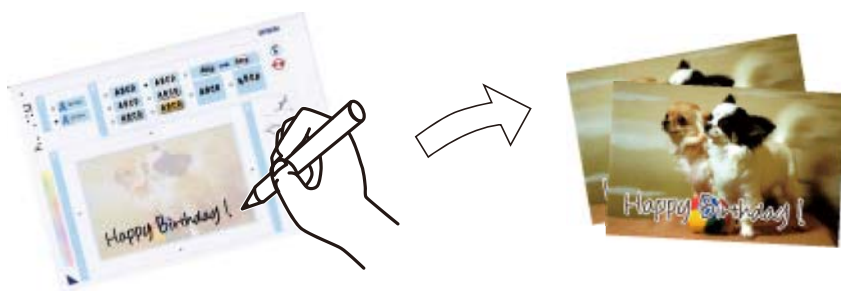
Printing

- ➔ “Loading and Removing a CD/DVD” on page 59
- ➔ “Menu Options for Printing from the Control Panel” on page 70

Printing Photos from a Memory Card with Handwritten Notes

You can print a photo on a memory card with handwritten text or drawings. This allows you to create original cards such as New Year's cards or birthday cards.

First select a photo and print a template on plain paper. Write or draw on the template and then scan it with the printer. You can then print the photo with your own personal notes and drawings.



1. Insert a memory card into the printer.



Important:

Do not remove the memory card until you have finished printing.

2. Enter **More Functions** from the home screen using the ◀ or ▶ button, and then press the OK button.
3. Select **Print Photo Greeting Card** using the ▲ or ▼ button, and then press the OK button.
4. Select **Select Photo and Print Template** using ▲ or ▼ button, and then press the OK button.
5. Select a photo using the ◀ or ▶ button, and then press the OK button.
6. Select the paper type for printing a photo with handwritten notes using the ▲ or ▼ button, and then press the OK button.
7. Select the layout using the ▲ or ▼ button, and then press the OK button.
8. Select the frame using the ▲ or ▼ button, and then press the OK button.
9. Load A4-size plain paper in paper cassette 2, and then pull out the output tray to print a template.
10. Press the ◊ button to print a template.
11. Follow the instructions on the template to write and draw.
12. Close the output tray by hand. Load photo paper in paper cassette 1, and then pull out the output tray.

Printing

13. Select **Print Greeting Cards from Template** using the ▲ or ▼ button, and then press the OK button.

14. Check the screen, place the template on the scanner glass, and then press the OK button.

Note:

Make sure that the text on the template is completely dry before placing it on the scanner glass. If there are stains on the scanner glass, the stains are also printed on the photo.

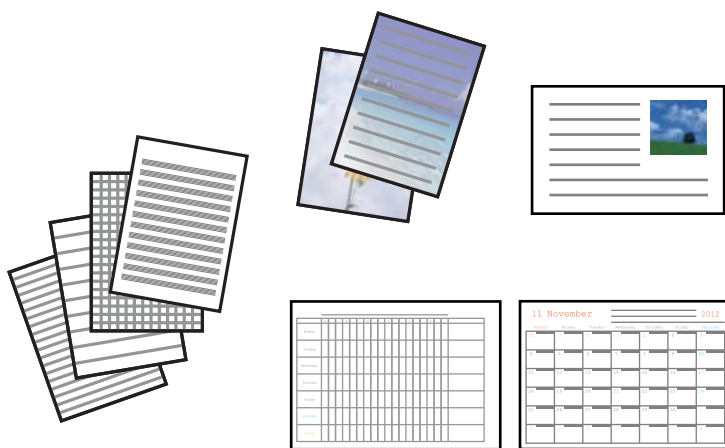
15. Set the number of copies using the – or + button, and then press the ◇ button.

Related Information

- ➔ “Inserting a Memory Card” on page 56
- ➔ “Menu Options for Printing from the Control Panel” on page 70
- ➔ “Loading Paper in the Paper Cassette 1” on page 41
- ➔ “Loading Paper in the Paper Cassette 2” on page 45
- ➔ “List of Paper Types” on page 39
- ➔ “Placing Originals on the Scanner Glass” on page 53

Printing Lined Paper, Calendars, Original Writing Paper, and Original Greeting Cards

You can easily print lined paper, calendars, original writing paper, and original greeting cards using the **Personal Stationery** menu.



1. Load paper in the printer.
2. To print writing paper and greeting cards using a photo on your memory card, insert the memory card into the printer.
3. Enter **More Functions** from the home screen using the ◀ or ▶ button, and then press the OK button.
4. Select **Personal Stationery** using the ▲ or ▼ button, and then press the OK button.

Printing

5. Select a menu item using the ▲ or ▼ button, and then press the OK button.

Note:

*When printing greeting cards, you can add an image stored in the printer instead of using a photo on your memory card. To add an image stored in the printer, select **Template Art**.*

6. Follow the on-screen instructions to print.

Related Information

- ➔ [“Loading Paper in the Paper Cassette 2” on page 45](#)
- ➔ [“Loading Paper in the Rear Paper Feed Slot” on page 49](#)
- ➔ [“List of Paper Types” on page 39](#)
- ➔ [“Inserting a Memory Card” on page 56](#)
- ➔ [“Menu Options for Printing Lined Paper, Calendars, Original Writing Paper, and Original Greeting Cards” on page 66](#)
- ➔ [“Menu Options for Printing from the Control Panel” on page 70](#)

Menu Options for Printing Lined Paper, Calendars, Original Writing Paper, and Original Greeting Cards

Lined Papers:

Prints some types of lined paper, graph paper, or music paper.

Writing Papers:

Prints some types of writing paper with a photo from the memory card set as the background. The photo is printed lightly so that it can be easily written on.

Calendar:

Prints a weekly or monthly calendar. Select the year and the month for the monthly calendar.

Message Card:

Prints a greeting card using images from the printer or images on the memory card.

Image Position

Select where you want to place the image on the greeting card.

Line Type

Select the type of ruled line to print on the greeting card.

Line Color

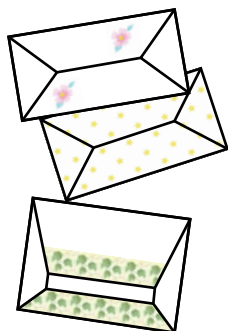
Select the color of the ruled line to print on the greeting card.

Printing Original Envelopes

You can create original envelopes by adding an image stored in the printer using the **Personal Stationery** menu. You can use the same image to print greeting cards that match the envelopes.

Printing

First print a diagram of an envelope on A4 size paper, and then fold it to create an envelope.



1. Enter **More Functions** from the home screen using the ◀ or ▶ button, and then press the OK button.
2. Select **Personal Stationery** using the ▲ or ▼ button, and then press the OK button.
3. Select **Origami** using the ▲ or ▼ button, and then press the OK button.
4. Select **Origami Envelope** using the ▲ or ▼ button, and then press the OK button.
5. Select the image you want to print on the envelopes using the ◀ or ▶ button, and then press the OK button.
A screen indicating the print position of the image, and whether to print fold lines is displayed.
6. To change the image position and the fold line setting, press the ▼ button to display the setting screen and change the settings.
7. When you have finished making settings, press the ↵ button to return to the setting confirmation screen, and then press the OK button.
8. Select the size of the envelopes using the ◀ or ▶ button, and then press the OK button.
9. Load A4 plain paper in the printer, and then press the OK button.
10. Pull out the output tray.
11. Set the number of copies using the – or + button, and then press the ⬠ button.

Related Information

➔ [“Loading Paper in the Paper Cassette 2” on page 45](#)

Folding Envelopes

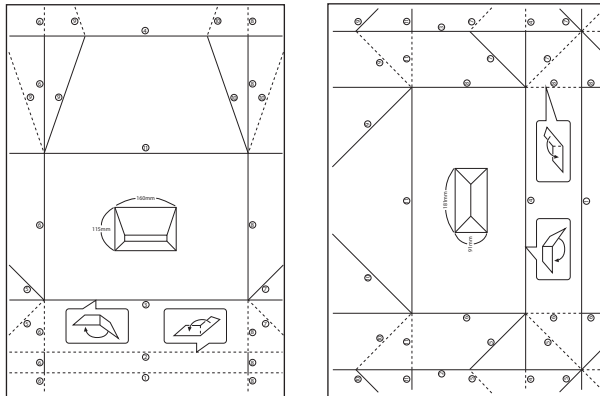
After printing a diagram of an envelope, print an instruction sheet that shows you how to fold the envelope, and then lay the instruction sheet on top of the diagram and fold them together.

1. Select **Origami Envelope Instruction** from the **Origami** menu, and then press the OK button.

Printing

2. Select the envelope size that you selected to print the envelope diagram using the ◀ and ▶ button, and then press the OK button.
3. Load A4 plain paper in the printer, and then press the OK button.
4. Set the number of copies using the – or + button, and then press the ◊ button.

The following instruction sheet is printed.



5. Lay the instruction sheet on top of the envelope diagram, and then fold them together following the instructions on the instruction sheet.
6. When finished, unfold them and remove the instruction sheet, and then fold only the envelope diagram again along its creases.

Printing in Various Layouts

You can print the photos on your memory card in various layouts such as 2-up, 4-up, and upper half.



Enter **More Functions** from the home screen using the ◀ or ▶ button, and then press the OK button. Select **Photo Layout Sheet** using the ▲ or ▼ button, and then press the OK button. Follow the on-screen instructions to print.

Related Information

➔ [“Menu Options for Printing from the Control Panel” on page 70](#)

Printing

Printing a Coloring Book

You can print pictures by extracting only the outline of photos or illustrations. This allows you to create unique coloring books.



Note:

Unless they are being used for personal use (at home or other restricted areas), you need permission from the copyright holder when using copyright protected originals to create a coloring book.

Enter **More Functions** from the home screen using the ◀ or ▶ button, and then press the OK button. Select **Coloring Book** using the ▲ or ▼ button, and then press the OK button. Select whether to scan an original or use a photo on a memory card to print a coloring book, and then follow the on-screen instructions.

Related Information

➔ [“Menu Options for Paper and Print Settings” on page 70](#)

DPOF Printing

This printer is compatible with DPOF (Digital Print Order Format) Ver. 1.10. DPOF is a format that stores additional information for photos such as the date, time, user name, and printing information. DPOF-compatible cameras allow you to set which image on a memory card to print and the number of copies. When the memory card is inserted into the printer, the photos selected by the camera are printed.

Note:

For information on making print settings on your camera, see the documentation provided with your camera.

When you insert a memory card into the printer, a confirmation screen is displayed. Select **Yes** using the ▲ or ▼ button, and then press the OK button to display the print start screen. Press the ⬠ button to start printing. If you want to change the print settings, press the ▼ button. Setting items are the same as in **Print Photos** mode.

Related Information

➔ [“Printing Photos by Selecting from a Memory Card” on page 61](#)

➔ [“Menu Options for Printing from the Control Panel” on page 70](#)

Menu Options for Printing from the Control Panel

Menu Options for Selecting Photos

Browse:

- Browse by Date

Displays the photos on the memory card sorted by date. Select a date to display all photos saved on that date.

- Cancel Browse

Cancels sorting photos and displays all the photos.

Select Photos:

- Select All Photos

Selects all the photos on the memory card and sets the number of prints.

- Cancel Photo Selection

Returns the number of prints of all photos to 0 (zero).

Display Mode:

- 1-up

Displays one photo on a screen. Information on settings, such as zoom, is also displayed.

- 1-up without Information

Displays one photo on a screen. Information on settings, such as zoom, is not displayed.

- 9-up

Displays nine photos on a screen.

Menu Options for Paper and Print Settings

Paper Size:

Select the paper size you loaded.

Paper Type:

Select the paper type you loaded.

Paper Source:

Select the paper source that you want to use.

Borderless:

Prints without margins around the edges. The image is enlarged a little to remove borders from the edges of the paper.

Quality:

Select the print quality. Selecting **Best** provides higher quality printing, but the printing speed may be slower.

Printing

Expansion:

With borderless printing, the image is enlarged a little to remove borders from the edges of the paper. Select how much to enlarge the image.

Date:

Select the format used to print the date on photos for photos that include the date the photos were taken or the date they were saved. The date is not printed for some layouts.

Print Info. On Photos:

Off

Prints without any information.

Camera Text

Prints text set on the digital camera. For information on the text settings, see the documentation provided with your camera. The information can only be printed in borderless printing on 10×15 cm, 13×18 cm, or 16:9 wide size.

Landmark

Prints the name of the place or landmark where the photo was taken for digital cameras that have the landmark feature. See the website of the manufacturer of your camera for more details. The information can only be printed in borderless printing on 10×15 cm, 13×18 cm, or 16:9 wide size.

Fit Frame:

If the aspect ratio of the image data and the paper size is different, the image is automatically enlarged or reduced so that the short sides match the short sides of the paper. The long side of the image is cropped if it extends beyond the long side of the paper. This feature may not work for panorama photos.

Bidirectional:

Prints while the print head moves to the left and to the right. If vertical or horizontal ruled lines on your printout look blurred or misaligned, disabling this feature may solve the problem; however, doing so may reduce print speed.

CD Density:

For CD/DVD printing. Set the density to use when printing onto a CD/DVD.

Density:

For coloring book printing. Select the level of density for the outlines on the coloring sheet.

Line Detection:

For coloring book printing. Select the sensitivity used to detect outlines in the photo.

Menu Options for Photo Adjustment and Zoom

Enhance:

Select one of the image adjustment options. Select **PhotoEnhance** to produce sharper images and more vivid colors by automatically adjusting the contrast, saturation, and brightness of the original image data. Select **P.I.M.** to adjust the image by using your camera's PRINT Image Matching or Exif Print information.

Printing

Scene Detection:

Available when selecting **PhotoEnhance** as the **Enhance** setting. Improves the image quality for photos of people, landscapes, and night scenes.

Fix Red-Eye:

Fixes red-eye in photos. Corrections are not applied to the original file, only to the printouts. Depending on the type of photo, parts of the image other than the eyes may be corrected.

Brightness:

Adjusts the brightness of the image.

Contrast:

Adjusts the difference between the brightness and darkness.

Sharpness:

Enhances or defocuses the outline of the image.

Saturation:

Adjusts the vividness of the image.

Filter:

Prints in sepia or monochrome.

Crop/Zoom:

Enlarges a part of the photo to be printed.

Printing from a Computer

Printing Basics - Windows

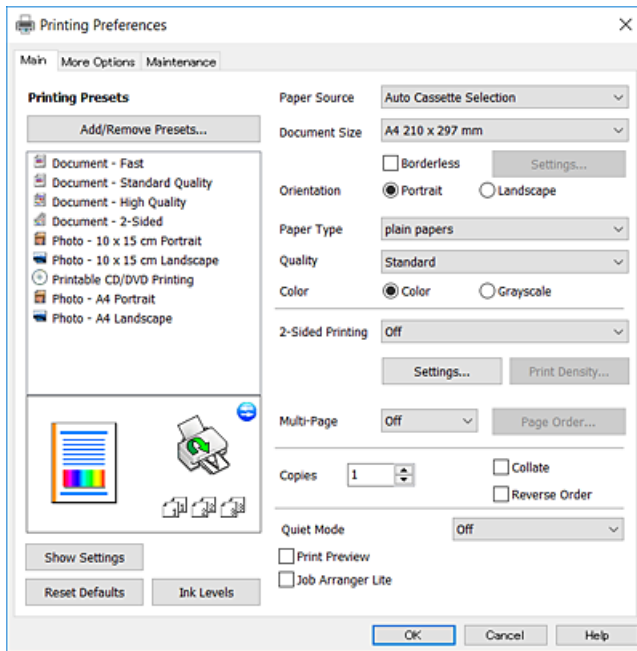
Note:

- See the online help for explanations of the setting items. Right-click an item, and then click **Help**.
- Operations differ depending on the application. See the application's help for details.

1. Load paper in the printer.
2. Open the file you want to print.
3. Select **Print** or **Print Setup** from the **File** menu.
4. Select your printer.

Printing

5. Select **Preferences** or **Properties** to access the printer driver window.



6. Make the following settings.

- Paper Source: Select the paper source in which you loaded the paper.
- Document Size: Select the paper size you loaded in the printer.
- Borderless: Select to print with no margins around the image.
In borderless printing, the print data is enlarged slightly more than the paper size so that no margins are printed around the edges of the paper. Click **Settings** to select the amount of enlargement.
- Orientation: Select the orientation you set in the application.
- Paper Type: Select the type of paper you loaded.
- Quality: Select the print quality.
Selecting **High** provides higher quality printing, but the printing speed may be slower.
- Color: Select **Grayscale** when you want to print in black or shades of gray.

Note:

When printing on envelopes, select **Landscape** as the **Orientation** setting.

7. Click **OK** to close the printer driver window.
8. Click **Print**.

Related Information

- ➔ [“Available Paper and Capacities” on page 38](#)
- ➔ [“Loading Paper in the Paper Cassette 1” on page 41](#)
- ➔ [“Loading Paper in the Paper Cassette 2” on page 45](#)
- ➔ [“Loading Paper in the Rear Paper Feed Slot” on page 49](#)
- ➔ [“Guide to Windows Printer Driver” on page 145](#)
- ➔ [“List of Paper Types” on page 39](#)

Printing

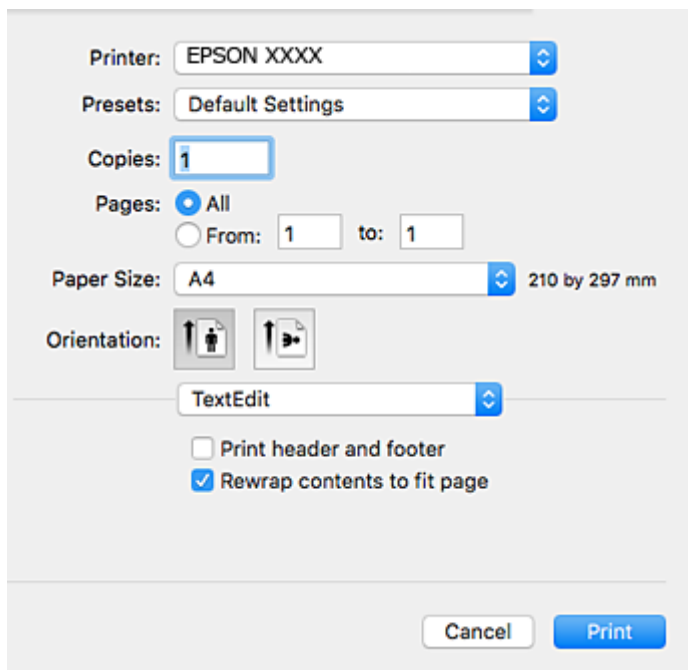
Printing Basics - Mac OS

Note:

Explanations in the section use *TextEdit* as an example. Operations and screens differ depending on the application. See the application's help for details.

1. Load paper in the printer.
2. Open the file you want to print.
3. Select **Print** from the **File** menu or another command to access the print dialog.

If necessary, click **Show Details** or ▼ to expand the print window.



4. Make the following settings.
 - Printer: Select your printer.
 - Presets: Select when you want to use the registered settings.
 - Paper Size: Select the paper size you loaded in the printer.
When printing with no margins, select a "borderless" paper size.
 - Orientation: Select the orientation you set in the application.

Note:


- If the above setting menus are not displayed, close the print window, select **Page Setup** from the **File** menu, and then make settings.
- When printing on envelopes, select landscape orientation.

Printing

5. Select **Print Settings** from the pop-up menu.

Note:

On OS X Mountain Lion or later, if the **Print Settings** menu is not displayed, the Epson printer driver has not been installed correctly.


Select **System Preferences** from the  menu > **Printers & Scanners** (or **Print & Scan**, **Print & Fax**), remove the printer, and then add the printer again. See the following to add a printer.

<http://epson.sn>

6. Make the following settings.

- Paper Source: Select the paper source in which you loaded the paper.

If you enable the **Automatic Cassette Switching** function, the printer automatically feeds paper from paper cassette 2 when paper runs out in paper cassette 1. Load the same paper (type and size) in paper cassette 1 and paper cassette 2.

To enable the **Automatic Cassette Switching** function, select **System Preferences** from the  menu > **Printers & Scanners** (or **Print & Scan**, **Print & Fax**), and then select the printer. Make settings on the screen displayed by clicking **Options & Supplies** > **Options** (or **Driver**).

- Media Type: Select the type of paper you loaded.
- Print Quality: Select the print quality.

Selecting **Fine** provides higher quality printing, but the printing speed may be slower.

- Expansion: Available when selecting a borderless paper size.

In borderless printing, the print data is enlarged slightly more than the paper size so that no margins are printed around the edges of the paper. Select the amount of enlargement.

Printing

- Grayscale: Select to print in black or shades of gray.

7. Click **Print**.

Related Information

- ➔ [“Available Paper and Capacities” on page 38](#)
- ➔ [“Loading Paper in the Paper Cassette 1” on page 41](#)
- ➔ [“Loading Paper in the Paper Cassette 2” on page 45](#)
- ➔ [“Loading Paper in the Rear Paper Feed Slot” on page 49](#)
- ➔ [“Guide to Mac OS Printer Driver” on page 148](#)
- ➔ [“List of Paper Types” on page 39](#)

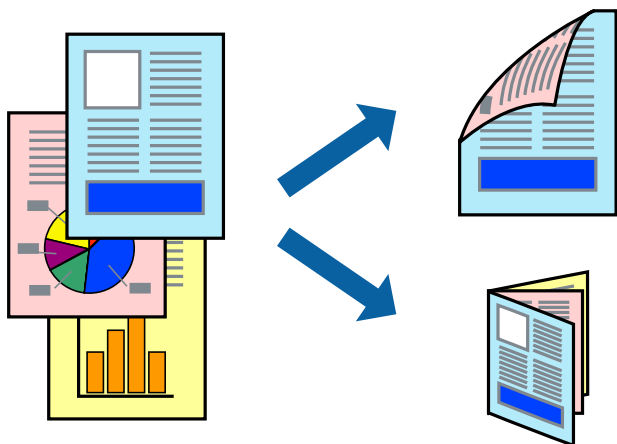
Printing on 2-Sides

You can use either of the following methods to print on both sides of the paper.

- Automatic 2-sided printing
- Manual 2-sided printing (for Windows only)

When the printer has finished printing the first side, flip the paper over to print on the other side.

You can also print a booklet that can be created by folding the printout. (For Windows only)



Note:

- This feature is not available for borderless printing.
- If you do not use paper that is suitable for 2-sided printing, the print quality may decline and paper jams may occur.
- Depending on the paper and the data, ink may bleed through to the other side of the paper.

Related Information

- ➔ [“Available Paper and Capacities” on page 38](#)

Printing

Printing on 2-Sides - Windows

Note:

Manual 2-sided printing is available when **EPSON Status Monitor 3** is enabled. If **EPSON Status Monitor 3** is disabled, access the printer driver, click **Extended Settings** on the **Maintenance** tab, and then select **Enable EPSON Status Monitor 3**.

Manual 2-sided printing may not be available when the printer is accessed over a network or is used as a shared printer.

1. Load paper in the printer.
2. Open the file you want to print.
3. Access the printer driver window.
4. Select **Auto (Long-edge binding)**, **Auto (Short-edge binding)**, **Manual (Long-edge binding)**, or **Manual (Short-edge binding)** from **2-Sided Printing** on the **Main** tab.
5. Click **Settings**, make the appropriate settings, and then click **OK**.

Note:

To print a folded booklet, select **Booklet**.

6. Click **Print Density**, select the document type from **Select Document Type**, and then click **OK**.

The printer driver automatically sets the **Adjustments** options for that document type.

Note:

Printing may be slow depending on the combination of options selected for **Select Document Type** in the **Print Density Adjustment** window and for **Quality** on the **Main** tab.

For manual 2-sided printing, the **Print Density Adjustment** setting is not available.

7. Set the other items on the **Main** and **More Options** tabs as necessary, and then click **OK**.
8. Click **Print**.

For manual 2-sided printing, when the first side has finished printing, a pop-up window is displayed on the computer. Follow the on-screen instructions.

Related Information

- ➔ [“Loading Paper in the Paper Cassette 1” on page 41](#)
- ➔ [“Loading Paper in the Paper Cassette 2” on page 45](#)
- ➔ [“Printing Basics - Windows” on page 72](#)

Printing on 2-Sides - Mac OS

1. Load paper in the printer.
2. Open the file you want to print.
3. Access the print dialog.
4. Select **Two-sided Printing Settings** from the pop-up menu.

Printing

5. Select the bindings in **Two-sided Printing**.
6. Select the type of original in **Document Type**.

Note:

- Printing may be slow depending on the **Document Type** setting.*
- If you are printing high-density data such as photos or graphs, select **Text with Photo** or **Photo** as the **Document Type** setting. If scuffing occurs or the image bleeds through to the reverse side, adjust the print density and ink drying time by clicking the arrow mark next to **Adjustments**.*

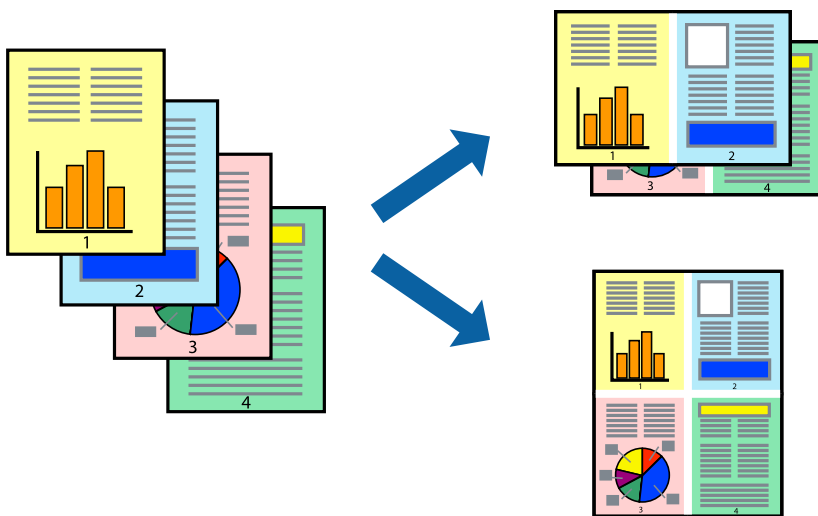
7. Set the other items as necessary.
8. Click **Print**.

Related Information

- ➔ [“Loading Paper in the Paper Cassette 1” on page 41](#)
- ➔ [“Loading Paper in the Paper Cassette 2” on page 45](#)
- ➔ [“Printing Basics - Mac OS” on page 74](#)

Printing Several Pages on One Sheet

You can print two or four pages of data on a single sheet of paper.



Printing Several Pages on One Sheet - Windows

Note:

This feature is not available for borderless printing.

1. Load paper in the printer.
2. Open the file you want to print.
3. Access the printer driver window.
4. Select **2-Up** or **4-Up** as the **Multi-Page** setting on the **Main** tab.

Printing

5. Click **Page Order**, make the appropriate settings, and then click **OK** to close the window.
6. Set the other items on the **Main** and **More Options** tabs as necessary, and then click **OK**.
7. Click **Print**.

Related Information

- ➔ [“Loading Paper in the Paper Cassette 1” on page 41](#)
- ➔ [“Loading Paper in the Paper Cassette 2” on page 45](#)
- ➔ [“Loading Paper in the Rear Paper Feed Slot” on page 49](#)
- ➔ [“Printing Basics - Windows” on page 72](#)

Printing Several Pages on One Sheet - Mac OS

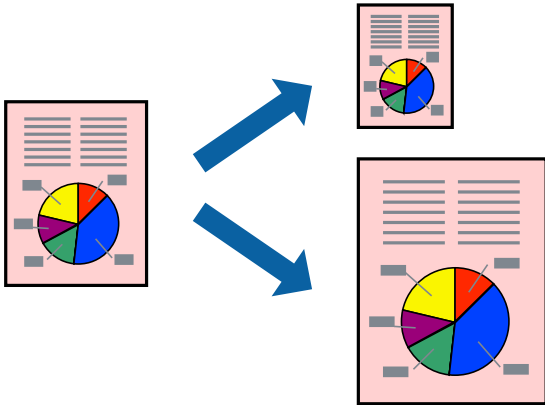
1. Load paper in the printer.
2. Open the file you want to print.
3. Access the print dialog.
4. Select **Layout** from the pop-up menu.
5. Set the number of pages in **Pages per Sheet**, the **Layout Direction** (page order), and **Border**.
6. Set the other items as necessary.
7. Click **Print**.

Related Information

- ➔ [“Loading Paper in the Paper Cassette 1” on page 41](#)
- ➔ [“Loading Paper in the Paper Cassette 2” on page 45](#)
- ➔ [“Loading Paper in the Rear Paper Feed Slot” on page 49](#)
- ➔ [“Printing Basics - Mac OS” on page 74](#)

Printing to Fit the Paper Size

You can print to fit the paper size you loaded in the printer.



Printing to Fit the Paper Size - Windows

Note:

This feature is not available for borderless printing.

1. Load paper in the printer.
2. Open the file you want to print.
3. Access the printer driver window.
4. Make the following settings on the **More Options** tab.
 - Document Size: Select the paper size you set in the application.
 - Output Paper: Select the paper size you loaded in the printer.
Fit to Page is selected automatically.

Note:

*If you want to print a reduced image at the center of the page, select **Center**.*

5. Set the other items on the **Main** and **More Options** tabs as necessary, and then click **OK**.
6. Click **Print**.

Related Information

- ➔ [“Loading Paper in the Paper Cassette 1” on page 41](#)
- ➔ [“Loading Paper in the Paper Cassette 2” on page 45](#)
- ➔ [“Loading Paper in the Rear Paper Feed Slot” on page 49](#)
- ➔ [“Printing Basics - Windows” on page 72](#)

Printing to Fit the Paper Size - Mac OS

1. Load paper in the printer.

Printing

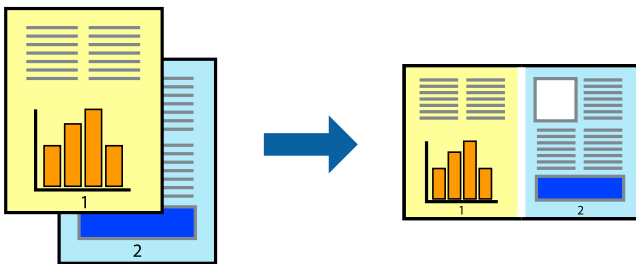
2. Open the file you want to print.
3. Access the print dialog.
4. Select the size of the paper you set in the application as the **Paper Size** setting.
5. Select **Paper Handling** from the pop-up menu.
6. Select **Scale to fit paper size**.
7. Select the paper size you loaded in the printer as the **Destination Paper Size** setting.
8. Set the other items as necessary.
9. Click **Print**.

Related Information

- ➔ [“Loading Paper in the Paper Cassette 1” on page 41](#)
- ➔ [“Loading Paper in the Paper Cassette 2” on page 45](#)
- ➔ [“Loading Paper in the Rear Paper Feed Slot” on page 49](#)
- ➔ [“Printing Basics - Mac OS” on page 74](#)

Printing Multiple Files Together (for Windows Only)

Job Arranger Lite allows you to combine several files created by different applications and print them as a single print job. You can specify the print settings for combined files, such as layout, print order, and orientation.



1. Load paper in the printer.
2. Open the file you want to print.
3. Access the printer driver window.
4. Select **Job Arranger Lite** on the **Main** tab.
5. Click **OK** to close the printer driver window.
6. Click **Print**.

The **Job Arranger Lite** window is displayed and the print job is added to the **Print Project**.

Printing

- With the **Job Arranger Lite** window opened, open the file that you want to combine with the current file, and then repeat steps 3 to 6.

Note:

- ❑ If you close the **Job Arranger Lite** window, the unsaved **Print Project** is deleted. To print later, select **Save** from the **File** menu.
- ❑ To open a **Print Project** saved in **Job Arranger Lite**, click **Job Arranger Lite** on the printer driver's **Maintenance** tab. Next, select **Open** from the **File** menu to select the file. The extension of the saved files is ".ecl".

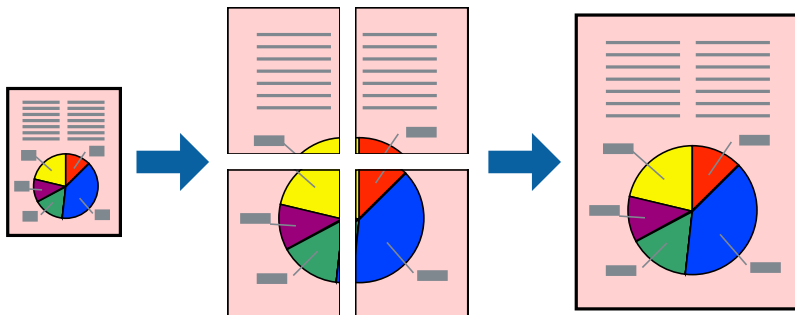
- Select the **Layout** and **Edit** menus in **Job Arranger Lite** to edit the **Print Project** as necessary. See the help of Job Arranger Lite for details.
- Select **Print** from the **File** menu.

Related Information

- ➔ [“Loading Paper in the Paper Cassette 1” on page 41](#)
- ➔ [“Loading Paper in the Paper Cassette 2” on page 45](#)
- ➔ [“Loading Paper in the Rear Paper Feed Slot” on page 49](#)
- ➔ [“Printing Basics - Windows” on page 72](#)

Printing One Image on Multiple Sheets to Create a Poster (for Windows Only)

This feature allows you to print one image on multiple sheets of paper. You can create a larger poster by taping them together.



Note:

This feature is not available for borderless printing.

- Load paper in the printer.
- Open the file you want to print.
- Access the printer driver window.
- Select **2x1 Poster**, **2x2 Poster**, **3x3 Poster**, or **4x4 Poster** from **Multi-Page** on the **Main** tab.
- Click **Settings**, make the appropriate settings, and then click **OK**.

Note:

***Print Cutting Guides** allows you to print a cutting guide.*

Printing

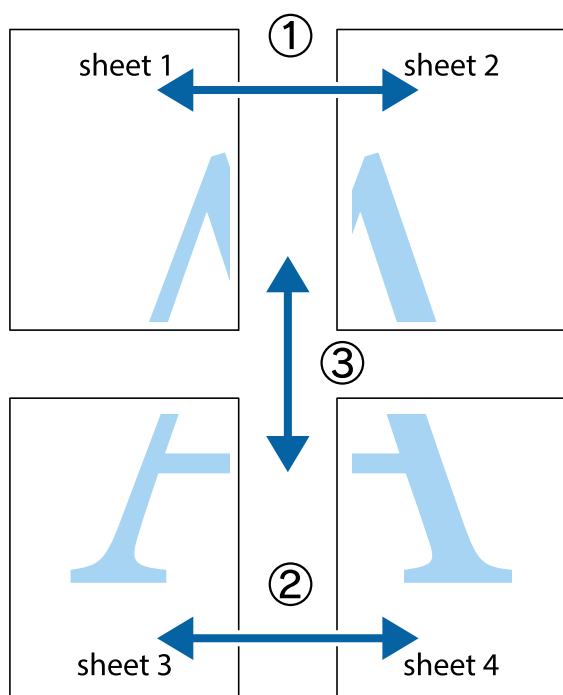
6. Set the other items on the **Main** and **More Options** tabs as necessary, and then click **OK**.
7. Click **Print**.

Related Information

- ➔ “Loading Paper in the Paper Cassette 1” on page 41
- ➔ “Loading Paper in the Paper Cassette 2” on page 45
- ➔ “Loading Paper in the Rear Paper Feed Slot” on page 49
- ➔ “Printing Basics - Windows” on page 72

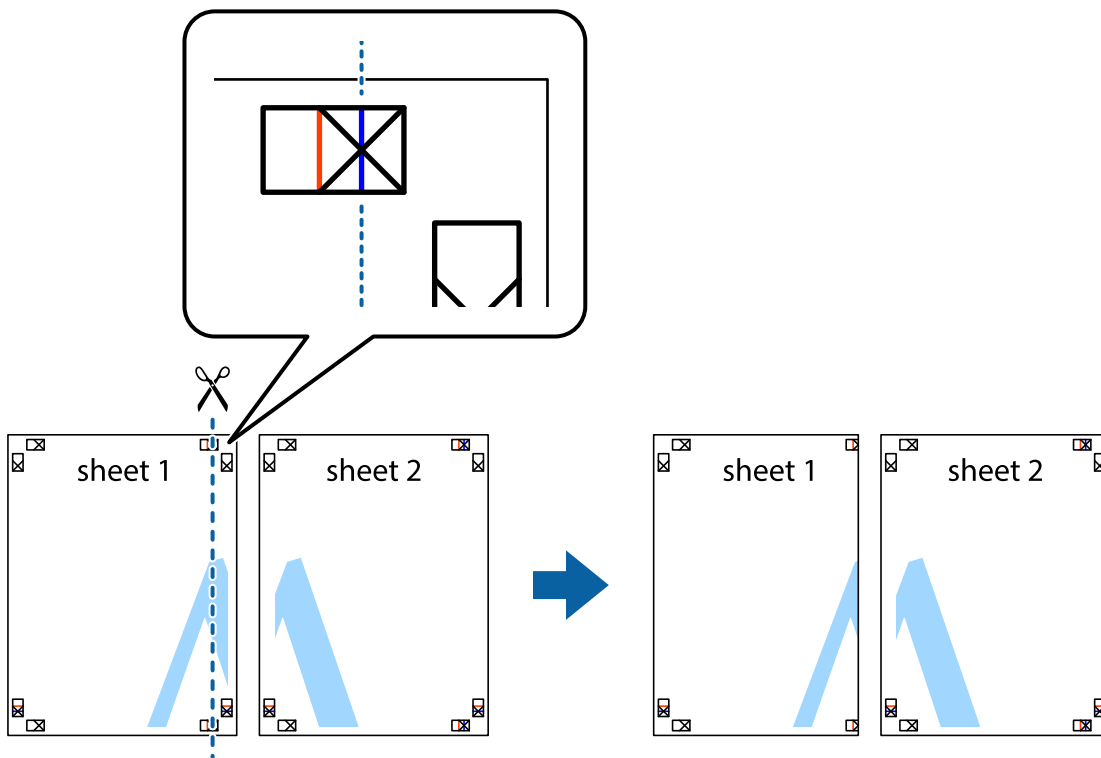
Making Posters Using Overlapping Alignment Marks

Here is an example of how to make a poster when **2x2 Poster** is selected, and **Overlapping Alignment Marks** is selected in **Print Cutting Guides**.

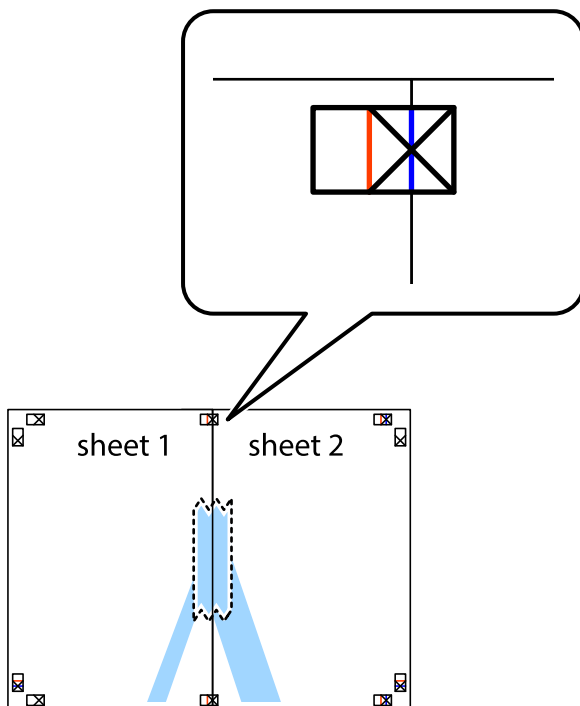


Printing

1. Prepare Sheet 1 and Sheet 2. Cut off the margins of Sheet 1 along the vertical blue line through the center of the top and bottom cross marks.

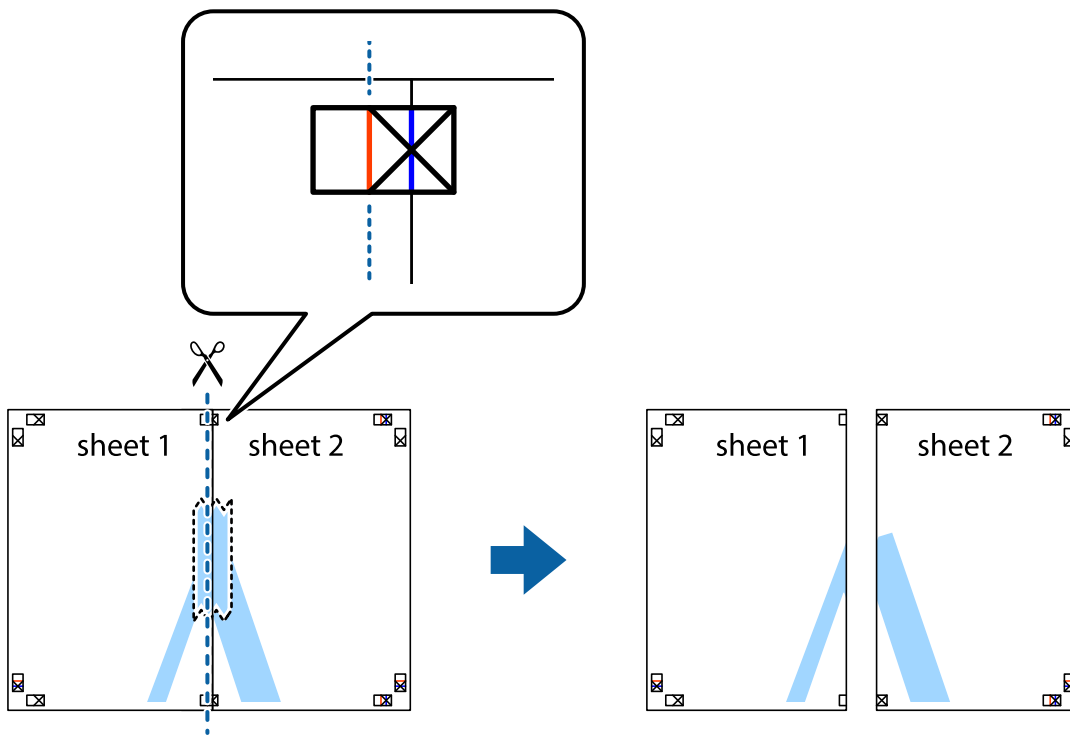


2. Place the edge of Sheet 1 on top of Sheet 2 and align the cross marks, then temporarily tape the two sheets together from the back.

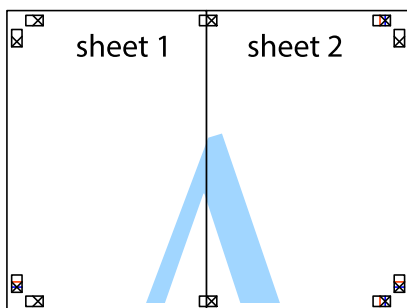


Printing

- Cut the taped sheets in two along the vertical red line through the alignment markers (this time, the line to the left of the cross marks).



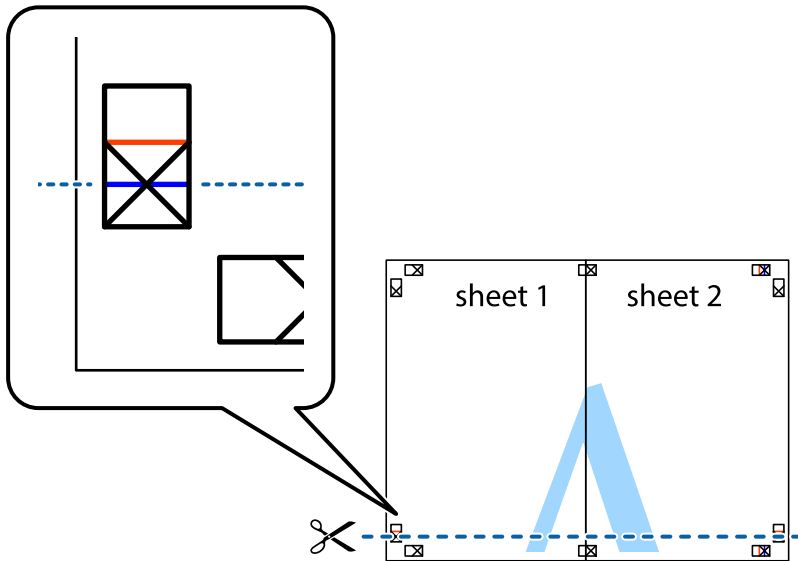
- Tape the sheets together from the back.



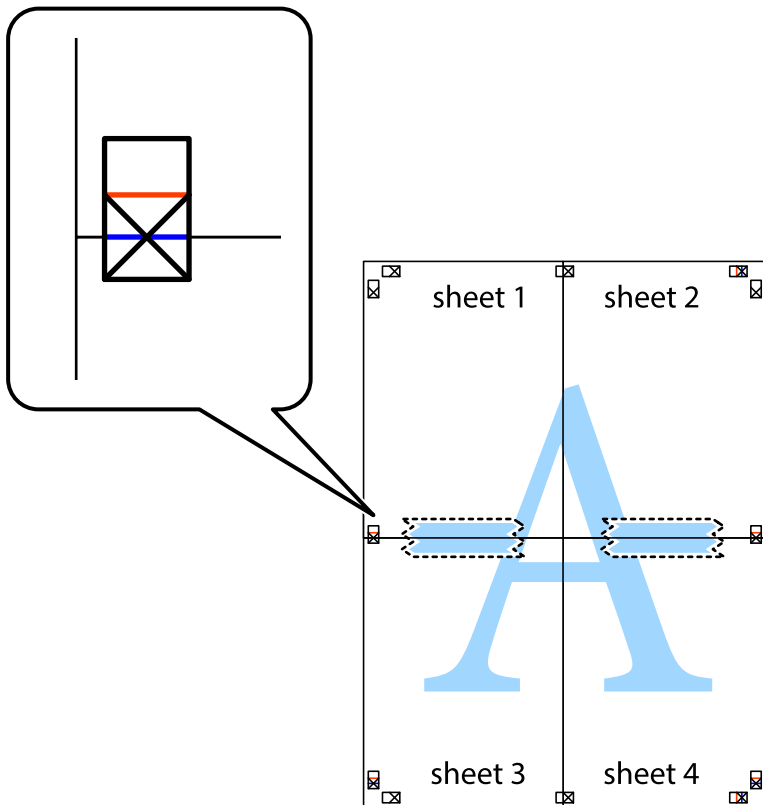
- Repeat steps 1 to 4 to tape Sheet 3 and Sheet 4 together.

Printing

6. Cut off the margins of Sheet 1 and Sheet 2 along the horizontal blue line through the center of the left and right side cross marks.

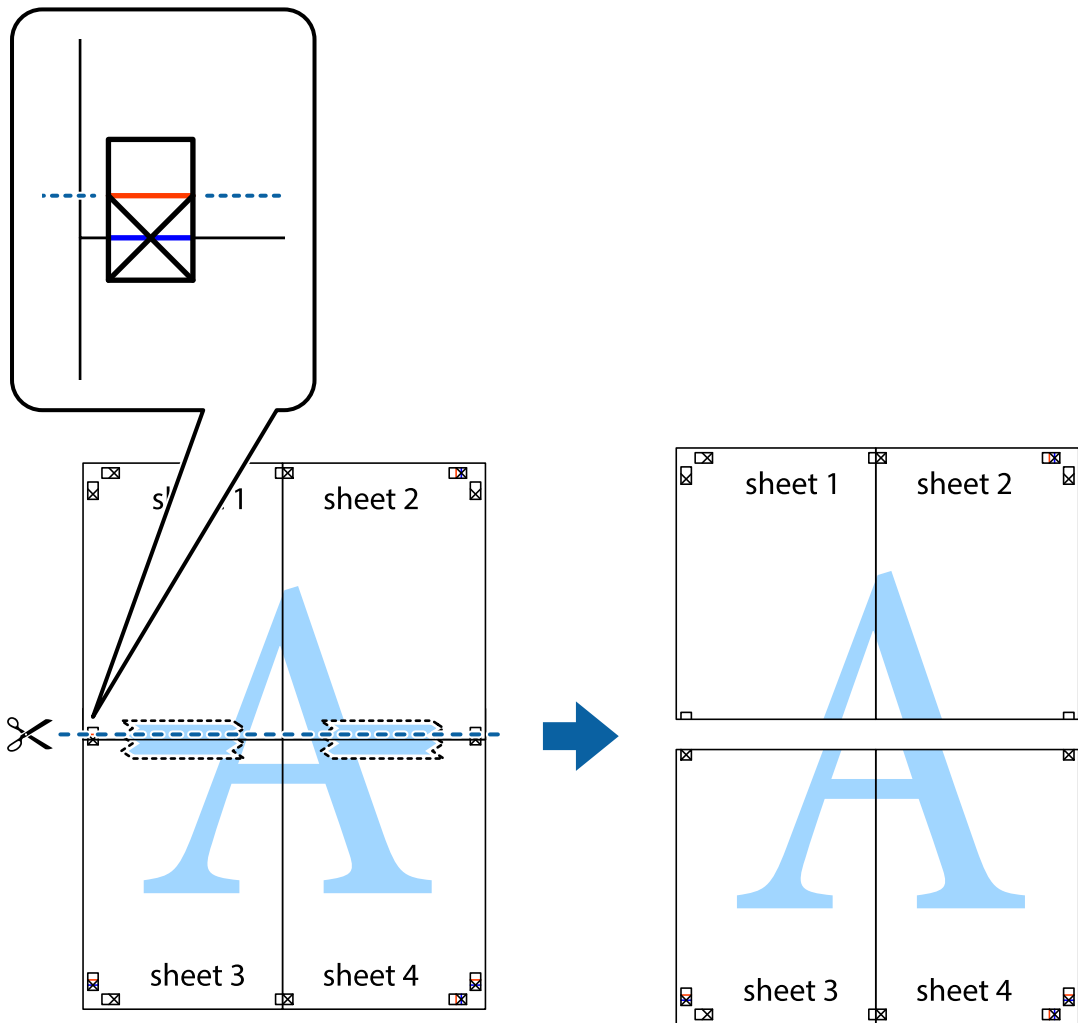


7. Place the edge of Sheet 1 and Sheet 2 on top of Sheet 3 and Sheet 4 and align the cross marks, and then temporarily tape them together from the back.

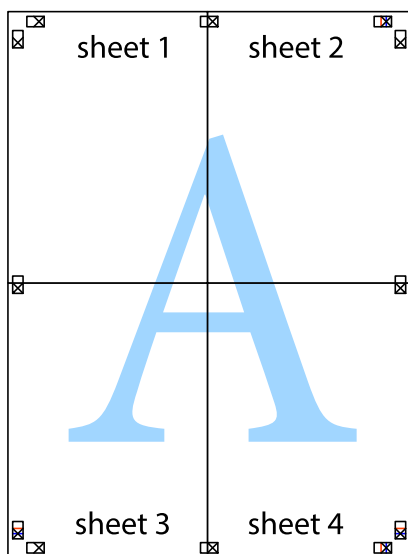


Printing

- Cut the taped sheets in two along the horizontal red line through the alignment markers (this time, the line above the cross marks).

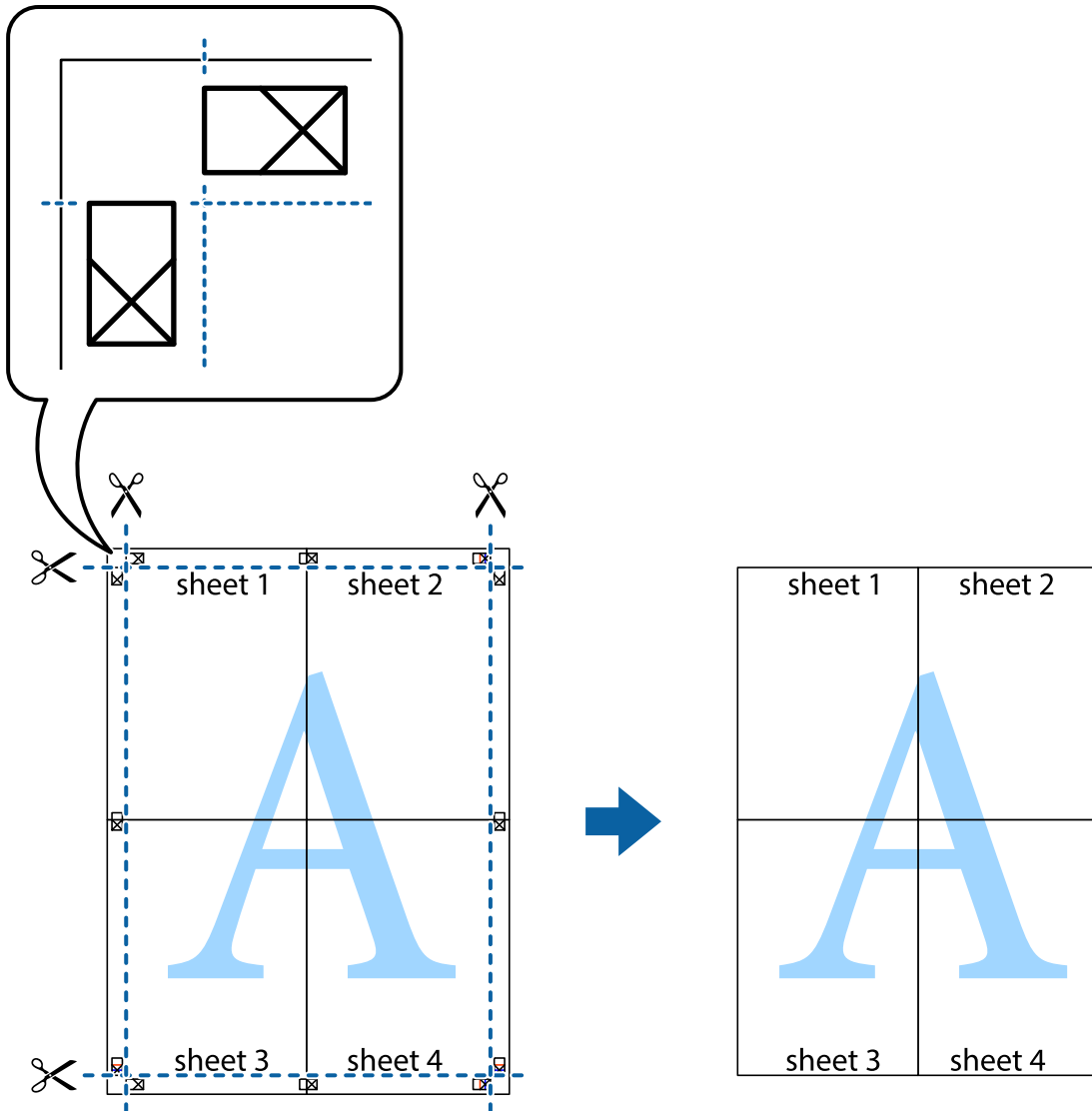


- Tape the sheets together from the back.



Printing

10. Cut off the remaining margins along the outer guide.



Printing Using Advanced Features

This section introduces a variety of additional layout and printing features available on the printer driver.

Related Information

- ➔ [“Windows Printer Driver” on page 144](#)
- ➔ [“Mac OS Printer Driver” on page 147](#)

Adding a Printing Preset to Print Easily

If you create your own preset of frequently used print settings on the printer driver, you can print easily by selecting the preset from the list.

Printing

Windows

To add your own preset, set items such as the **Document Size** and **Paper Type** on the **Main** or **More Options** tab, and then click **Add/Remove Presets** in **Printing Presets**.

Note:

To delete an added preset, click **Add/Remove Presets**, select the preset name you want to delete from the list, and then delete it.

Mac OS

Access the print dialog. To add your own preset, set items such as the **Paper Size** and **Media Type**, and then save the current settings as the preset in the **Presets** setting.

Note:

To delete an added preset, click **Presets > Show Presets**, select the preset name you want to delete from the list, and then delete it.

Printing a Reduced or Enlarged Document

You can reduce or enlarge the size of a document by a specific percentage.

Windows

Note:

This feature is not available for borderless printing.

Set the **Document Size** on the **More Options** tab. Select **Reduce/Enlarge Document**, **Zoom to**, and then enter a percentage.

Mac OS

Note:

Operations differ depending on the application. See the application's help for details.

Select **Page Setup** (or **Print**) from the **File** menu. Select the printer from **Format For**, select the paper size, and then enter a percentage in **Scale**. Close the window, and then print following the basic printing instructions.

Adjusting the Print Color

You can adjust the colors used in the print job.

PhotoEnhance produces sharper images and more vivid colors by automatically adjusting the contrast, saturation, and brightness of the original image data.

Note:

- These adjustments are not applied to the original data.
- PhotoEnhance** adjusts the color by analyzing the location of the subject. Therefore, if you have changed the location of the subject by reducing, enlarging, cropping, or rotating the image, the color may change unexpectedly. Selecting the borderless setting also changes the location of the subject resulting in changes in color. If the image is out of focus, the tone may be unnatural. If the color is changed or becomes unnatural, print in a mode other than **PhotoEnhance**.

Windows

Select the method of color correction from **Color Correction** on the **More Options** tab.

Printing

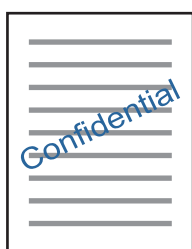
If you select **Automatic**, the colors are automatically adjusted to match the paper type and print quality settings. If you select **Custom** and click **Advanced**, you can make your own settings.

Mac OS

Access the print dialog. Select **Color Matching** from the pop-up menu, and then select **EPSON Color Controls**. Select **Color Options** from the pop-up menu, and then select one of the available options. Click the arrow next to **Advanced Settings** and make the appropriate settings.

Printing a Watermark (for Windows Only)

You can print a watermark such as "Confidential" on your printouts. You can also add your own watermark.



Note:

This feature is not available with borderless printing.

Click **Watermark Features** on the **More Options** tab, and then select a watermark. Click **Settings** to change details such as the density and position of the watermark.

Printing a Header and Footer (for Windows Only)

You can print information such as a user name and printing date as headers or footers.

Click **Watermark Features** in the **More Options** tab, and then select **Header/Footer**. Click **Settings** and select necessary items from the drop-down list.

Printing Photos Using Epson Easy Photo Print

Epson Easy Photo Print lets you lay out and print photos easily on various types of paper. See the application's help for details.

Note:

- By printing on genuine Epson photo paper, the ink quality is maximized and the printouts are vivid and clear.*
- To perform borderless printing using a commercially available application, make the following settings.*
 - Create image data to fit the paper size. If a margin setting is available in the application you are using, set the margin to 0 mm.
 - Enable the borderless printing setting in the printer driver.

Related Information

- ➔ [“Epson Easy Photo Print” on page 151](#)
- ➔ [“Installing Applications” on page 154](#)

Printing a CD/DVD Label with Epson Print CD

Epson Print CD lets you easily create and print an original design CD/DVD label. You can also create and print a CD/DVD jacket.

You can set the print range for the CD/DVD to a minimum of 18 mm for the inner diameter, and a maximum of 120 mm for the outer diameter. Depending on the settings, the CD/DVD or tray may be smeared. Set within the print range for the CD/DVD you want to print.

See the application's help for details.

Note:

When printing a CD/DVD label using a commercially available application, make the following settings.

- For Windows, A4 is automatically selected as the **Document Size** setting when you select **CD/DVD Tray** as the **Paper Source** setting. Select **Portrait** as the **Orientation** setting, and **CD/DVD** as the **Paper Type** setting.
- For Mac OS, select **A4 (CD/DVD)** as the **Paper Size** setting. Select portrait as the printing direction, and then select **CD/DVD** as the **Media Type** on the **Print Settings** menu.
- On some applications, you may need to specify the tray type. Select **Epson Tray Type 2**. The setting name may vary slightly depending on the application.

Related Information

- ➔ [“Epson Print CD” on page 151](#)
- ➔ [“Installing Applications” on page 154](#)

Printing from Smart Devices

Using Epson iPrint

Epson iPrint is an application that allows you to print photos, documents, and web pages from a smart device such as a smartphone or tablet. You can use local print, printing from a smart device that is connected to the same wireless network as your printer, or remote print, printing from a remote location over the Internet. To use remote print, register your printer in the Epson Connect service.

**Related Information**

- ➔ [“Epson Connect Service” on page 142](#)

Installing Epson iPrint

You can install Epson iPrint on your smart device from the following URL or QR code.

Printing

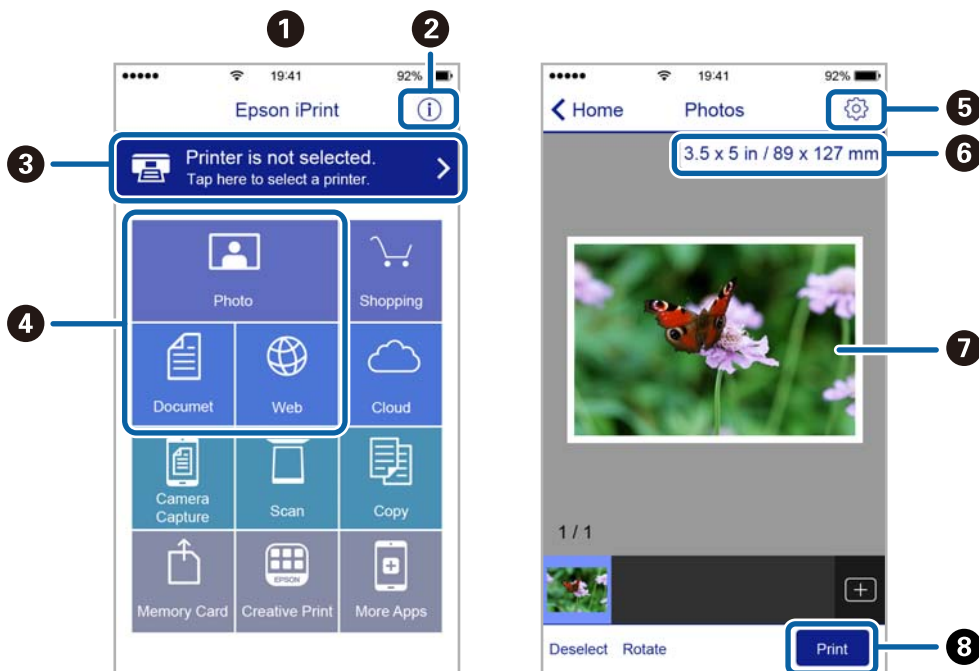
<http://ipr.to/a>



Printing Using Epson iPrint

Start Epson iPrint from your smart device and select the item you want to use from the home screen.

The following screens are subject to change without notice.



1	Home screen displayed when the application is started.
2	Displays information on how to setup the printer and a FAQ.
3	Displays the screen where you can select the printer and make printer settings. Once you have selected the printer, you do not need to select it again from the next time.
4	Select what you want to print such as photos, documents, and web pages.
5	Displays the screen to make print settings such as paper size and paper type.
6	Displays the paper size. When this is displayed as a button, press it to display the paper settings currently set on the printer.
7	Displays photos and documents you selected.
8	Starts printing.

Printing

Note:

To print from the document menu using iPhone, iPad, and iPod touch running iOS, start Epson iPrint after transferring the document you want to print using the file sharing function in iTunes.

Using AirPrint

AirPrint enables instant wireless printing from iPhone, iPad, and iPod touch with the latest version of iOS, and Mac with the latest version of OS X.



Note:

If you disabled paper configuration messages on your product control panel, you cannot use AirPrint. See the link below to enable the messages, if necessary.

1. Load paper in your product.
2. Set up your product for wireless printing. See the link below.
<http://epson.sn>
3. Connect your Apple device to the same wireless network that your product is using.
4. Print from your device to your product.

Note:

For details, see the AirPrint page on the Apple website.

Related Information

- ➔ [“Loading Paper in the Paper Cassette 1” on page 41](#)
- ➔ [“Loading Paper in the Paper Cassette 2” on page 45](#)

Printing from a Digital Camera

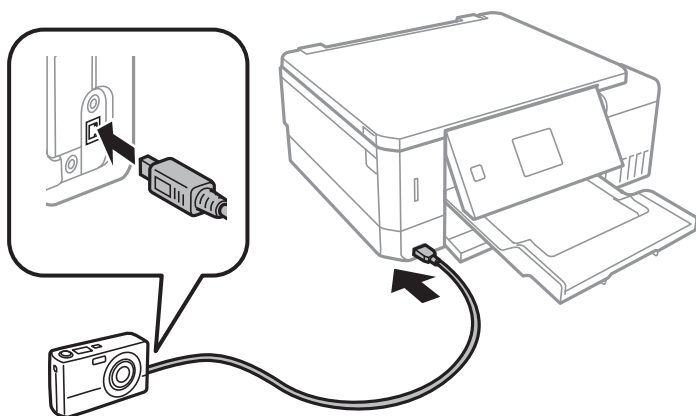
Note:

- ❑ You can print photos directly from a PictBridge-compatible digital camera. For more details on making operations on your camera, see the documentation provided with your camera.
- ❑ Usually digital camera settings are given priority; however, in the following situations, the printer settings are given priority.
 - ❑ When the camera's print setting is set to "use printer settings"
 - ❑ When the **Sepia** or **B&W** option is selected in the printer's print settings.
 - ❑ When combining the print settings of the camera and the printer produces settings that are not available on the printer.
- ❑ You can print photos with DPOF settings directly from a camera.

Printing from a Digital Camera Connected by USB Cable

You can print photos directly from a digital camera connected by USB cable.

1. Remove a memory card from the printer.
2. Load paper in the printer.
3. Enter **Settings** from the home screen using the ◀ or ▶ button, and then press the OK button. Select **External Device Setup** using the ▲ or ▼ button, and then press the OK button.
4. Select **Print Settings** or **Photo Adjustments**, press the OK button, and then change the settings if necessary. Select the setting items using the ▲ or ▼ button and change settings using the ◀ or ▶ button.
5. Turn on the digital camera, and then connect to the printer using a USB cable.



Note:

Use a USB cable that is shorter than two meters.

6. Select the photos you want to print from the digital camera, make settings such as the number of copies, and then start printing.

Printing

Related Information

- ➔ “Loading Paper in the Paper Cassette 1” on page 41
- ➔ “Loading Paper in the Paper Cassette 2” on page 45
- ➔ “Menu Options for Photo Adjustment and Zoom” on page 71
- ➔ “Menu Options for Paper and Print Settings” on page 70

Printing from a Digital Camera Connected Wirelessly

You can wirelessly print photos from digital cameras that support the DPS over IP standard (from here on referred to as PictBridge (wireless LAN)).

1. Make sure the icon that indicates that the printer is connected to a wireless network is displayed on the home screen.

Note:

You can check the meaning of the icons on the control panel. Select **Help** on the home screen using the ◀ or ▶ button, and then press the OK button. Select **Icon List** using the ▲ or ▼ button, and then press the OK button.

2. Load paper in the printer.
3. Select **Settings** from the home screen using the ◀ or ▶ button, and then press the OK button. Select **External Device Setup** using the ▲ or ▼ button, and then press the OK button.
4. Select **Print Settings** or **Photo Adjustments**, press the OK button, and then change the settings if necessary. Select the setting items using the ▲ or ▼ button and change settings using the ◀ or ▶ button.
5. Connect the digital camera to the same network as the printer.
6. Display the list of available printers on the digital camera, and then select the printer you want to connect to.

Note:

To check the printer's name, select **Settings > Network Settings > Network Status** from the home screen.

If your digital camera has a function that allows you to register printers, you can connect to the printer by selecting it from the next time.

7. Select the photos you want to print from the digital camera, make settings such as the number of copies, and then start printing.
8. Disconnect the PictBridge (wireless LAN) connection to the printer from the digital camera.



Important:

When using PictBridge (wireless LAN), you cannot use other printer functions or print from other devices. Disconnect immediately when you have finished printing.

Related Information

- ➔ “Loading Paper in the Paper Cassette 1” on page 41
- ➔ “Loading Paper in the Paper Cassette 2” on page 45
- ➔ “Menu Options for Photo Adjustment and Zoom” on page 71


➔ [“Menu Options for Paper and Print Settings” on page 70](#)

Canceling Printing

Note:

- ❑ *In Windows, you cannot cancel a print job from the computer once it has been completely sent to the printer. In this case, cancel the print job by using the printer's control panel.*
- ❑ *When printing several pages from Mac OS, you cannot cancel all of the jobs by using the control panel. In this case, cancel the print job from the computer.*
- ❑ *If you have sent a print job from Mac OS X v10.6.8 through the network, you may not be able to cancel printing from the computer. In this case, cancel the print job by using the printer's control panel.*

Canceling Printing - Printer Button

Press the  button to cancel the print job in progress.


Canceling Printing - Windows

1. Access the printer driver window.
2. Select the **Maintenance** tab.
3. Click **Print Queue**.
4. Right-click on the job you want to cancel and then select **Cancel**.

Related Information

➔ [“Windows Printer Driver” on page 144](#)

Canceling Printing - Mac OS

1. Click the printer icon in the **Dock**.
2. Select the job you want to cancel.
3. Cancel the job.
 - ❑ OS X Mountain Lion or later
Click  next to the progress meter.
 - ❑ Mac OS X v10.6.8 to v10.7.x
Click **Delete**.

Copying

Copying Basics

1. Load paper in the printer.
When loading in the rear paper feed slot, do not load paper until the printer prompts you to do so.
2. Place the originals.
3. Enter **Copy** from the home screen using the ◀ or ▶ button, and then press the OK button.
4. Set the number of copies using the – or + button.
5. Select color copy or monochrome copy using the ◀ or ▶ button.
6. Select **Paper and Copy Settings** using the ▼ button, and then press the OK button. Check the settings such as the paper size and the paper type and change the settings if necessary. Select the setting items using the ▲ or ▼ button and change the settings using the ◀ or ▶ button.

Note:

If you want to copy by reducing or enlarging the size of a document by a specific percentage, select **Custom Size** as the **Reduce/Enlarge** setting, and then specify a percentage using the – or + button. You can change the percentage in increments of 5% by pressing and holding down the – or + button.

7. Press the ⬡ button. When printing from the rear paper feed slot, press the ⬡ button, and then load paper when you are instructed to do so.

Note:

The color, size, and border of the copied image are slightly different from the original.

Related Information

- ➔ [“Loading Paper in the Paper Cassette 1” on page 41](#)
- ➔ [“Loading Paper in the Paper Cassette 2” on page 45](#)
- ➔ [“Loading Paper in the Rear Paper Feed Slot” on page 49](#)
- ➔ [“Placing Originals on the Scanner Glass” on page 53](#)
- ➔ [“Menu Options for Copy Mode” on page 97](#)

Menu Options for Copy Mode

Note:

Available menus vary depending on the layout you selected.

The number of copies:

Enter the number of copies.

Copying

Color:

Copies the original in color.

B&W:

Copies the original in black and white (monochrome).

Density:

Increase the level of density by pressing the ► button when the copying results are faint. Decrease the level of density by pressing the ◀ button when ink smears.

Remove Background:

Detects the paper color (background color) of the original document, and removes or lightens the color. Depending on the darkness and vividness of the color, it may not be removed or lightened.

2-Sided Copying:

1>1-Sided

Copies one side of an original onto a single side of paper.

1>2-Sided

Copies two single-sided originals onto both sides of a single sheet of paper.

Layout:

With Border

Copies with margins around the edges.

Borderless

Copies without margins around the edges. The image is enlarged a little to remove margins from the edges of the paper.

A4, 2-up Copy

Copies two A4 single-sided originals onto a single sheet of A4 size paper in 2-up layout.

A4, Book/2-up

Copies two A4 facing pages of a book and so on onto a single sheet of A4 size paper in 2-up layout.

Book/2-Sided

Copies two separate pages of a book and so on onto both sides of a single sheet of paper. This settings is only available when **1>2-Sided** is selected as the 2-sided copying setting.

Reduce/Enlarge:

Enlarges or reduces the originals.

Custom Size

Specifies the magnification used to enlarge or reduce the original within a range of 25 to 400%.

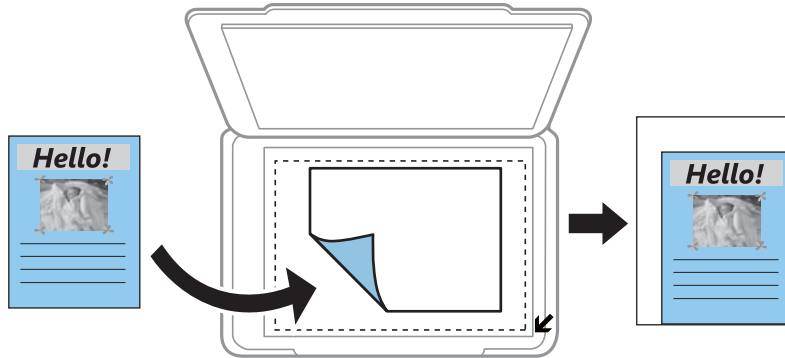
Actual Size

Copies at 100 % magnification.

Copying

Auto Fit Page

Detects the scan area and automatically enlarges or reduces the original to fit to the paper size you selected. When there are white margins around the original, the white margins from the corner mark of the scanner glass are detected as the scan area, but the margins at the opposite side may be cropped.



10x15cm->A4, A4->10x15cm, and so on

Automatically enlarges or reduces the original to fit to a specific paper size.

Paper Size:

Select the paper size you loaded.

Paper Type:

Select the paper type you loaded.

Paper Source:

Select the paper source that you want to use.

Document Type:

Select the type of your original.

Quality:

Select the print quality. **Draft** provides faster printing, but the printouts may be faint. **Best** provides higher quality printing, but the printing speed may be slower.

For users in Western Europe, the draft mode is not available.

Document Orientation:

Select the orientation of your original.

Binding Margin:

Select the binding position of the copies.

Expansion:

With borderless copying, the image is enlarged a little to remove borders from the edges of the paper. Select how much to enlarge the image.

Dry Time:

Select the drying time for 2-sided copying. Increase the level of drying time when ink smears.

Copying Photos

You can copy multiple photos at the same time. You can also restore the colors in faded photos.

Note:

❑ The smallest size of original you can copy is 30×40 mm.

❑ White space around the photo may not be detected.

1. Load paper in the printer.

When loading in the rear paper feed slot, do not load paper until the printer prompts you to do so.

2. Enter **More Functions** from the home screen using the ◀ or ▶ button, and then press the OK button.

3. Select **Copy/Restore Photos** using the ▲ or ▼ button, and then press the OK button.

4. Select whether or not to restore the colors in faded photos using the ▲ or ▼ button, and then press the OK button.

5. Press the ▼ button to display the instructions on how to place originals, and then place the photos on the scanner glass.

6. Press the ⬠ button.

The photos are scanned and displayed on the screen.

7. Select **Paper and Copy Settings** using the ▼ button, and then press the OK button. Check the settings such as the paper size and the paper type and change the settings if necessary. Select the setting items using the ▲ or ▼ button and change the settings using the ◀ or ▶ button.

Note:

*If you want to print by enlarging part of a photo, select **Crop/Zoom**, and then press the OK button. Move the print area frame using the ▲, ▼, ◀ or ▶ button, and then change the frame size using the – or + button.*

8. Press the ⬠ button.

Related Information

- ➔ [“Loading Paper in the Paper Cassette 1” on page 41](#)
- ➔ [“Loading Paper in the Paper Cassette 2” on page 45](#)
- ➔ [“Loading Paper in the Rear Paper Feed Slot” on page 49](#)
- ➔ [“Placing Photos for Copying” on page 54](#)
- ➔ [“Menu Options for Copy/Restore Photos” on page 100](#)

Menu Options for Copy/Restore Photos

Color Restoration:

Restores the color of faded photos.

Copying

Display Mode:

- 1-up

Displays one photo on a screen. Information on settings, such as zoom, is also displayed.

- 1-up without Information

Displays one photo on a screen. Information on settings, such as zoom, is not displayed.

Paper and Copy Settings:

- Paper Size

Select the paper size you loaded.

- Paper Type

Select the paper type you loaded.

- Paper Source

Select the paper source that you want to use.

- Borderless

To copy without margins around the edges, select **Borderless**. The image is enlarged a little to remove margins from the edges of the paper. To copy with margins around the edges, select **With Border**.

- Expansion

With borderless copying, the image is enlarged a little to remove borders from the edges of the paper. Select how much to enlarge the image.

Photo Adjustments:

Selecting **PhotoEnhance** produces sharper images and more vivid colors by automatically adjusting the contrast, saturation, and brightness of the original image data.

Filter:

Copies in monochrome.

Crop/Zoom:

Enlarges a part of the photo to be copied.




Copying on a CD/DVD Label

You can copy a disc label or a square original such as a photo onto a CD/DVD label.



Important:

- Before printing on the CD/DVD, see the CD/DVD handling precautions.
- Do not insert the CD/DVD tray while the printer is operating. This may damage the printer.
- Do not insert the CD/DVD tray until you are instructed to do so. Otherwise, an error occurs and the CD/DVD is ejected.

1. Press the  button, select **Copy to CD/DVD** using  or  button, and then press the OK button.
2. Place the original following the instructions displayed on the screen, and then press the OK button.

Copying

- Follow the on-screen instructions, set the print area by specifying the outer diameter using the ◀ or ▶ button, and the inner diameter using the ▲ or ▼ button, and then press the OK button.

Note:

You can set 114 to 120 mm as the outer diameter, and 18 to 46 mm as the inner diameter in 1 mm increments.

- Select **Print on a CD/DVD** using the ▲ or ▼ button, and then press the OK button.

Note:

*For test printing, select **Test Print on A4 Paper** using the ▲ or ▼ button, and then load A4 plain paper in the printer. You can check the printout image before printing on a CD/DVD label.*

- A message is displayed on the screen telling you that the printer is getting ready. You are then instructed to load a CD/DVD. Press the ▼ button to check the instructions and load a CD/DVD.



Important:

Press the center of the CD/DVD to securely set it on the CD/DVD tray. Otherwise, the CD/DVD may fall off the tray.

- Press the OK button, check the final screen for printing preparations, and then press the OK button.
- Select color copy or monochrome copy using the ◀ or ▶ button.
- If you want to change the settings such as copy density, select **Paper and Copy Settings** using the ▼ button. Select the setting items using the ▲ or ▼ button and change the settings using the ◀ or ▶ button.
- Press the ⬡ button.
- When printing has finished, the CD/DVD tray is ejected automatically. Remove the CD/DVD tray from the printer, and then remove the CD/DVD.



Important:

After printing is finished, make sure you remove the CD/DVD tray and store it at the bottom of the printer. If you do not remove the tray and turn the printer on or off, or run head cleaning, the CD/DVD tray will strike the print head and may cause the printer to malfunction.

- Store the CD/DVD tray at the bottom of the printer.

Related Information

- ➔ [“CD/DVD Handling Precautions” on page 59](#)
- ➔ [“Placing a CD/DVD for Copying Labels” on page 54](#)
- ➔ [“Menu Options for Copy to CD/DVD” on page 103](#)

Copying

Menu Options for Copy to CD/DVD

Outer, Inner:

Specify the print range. Up to 120 mm for the outer diameter, and a minimum of 18 mm for the inner diameter can be specified. Depending on the setting, the CD/DVD or CD/DVD tray may get dirty. Set the range to fit the printable area of your CD/DVD.

Print on a CD/DVD, Test Print on A4 Paper:

Select whether to print on a CD/DVD or make a test print on A4 size plain paper. When you select **Test Print on A4 Paper**, you can check the print result before printing on a CD/DVD.

Color:

Copies the original in color.

B&W:

Copies the original in black and white (monochrome).

Density:

Increase the level of density by pressing the ► button when the copying results are faint. Decrease the level of density by pressing the ◀ button when ink smears.

Document Type:

Select the type of your original.

Quality:

Select the copy quality when printing a test on A4 size plain paper. Selecting **Best** provides higher quality printing, but the printing speed may be slower.

Scanning

Scanning Using the Control Panel

Scanning to a Memory Card

You can save the scanned image to a memory card.

1. Place the originals.
2. Insert a memory card into the printer.
3. Enter **Scan** from the home screen using the ◀ or ▶ button, and then press the OK button.
4. Select **Scan to Memory Card** using the ◀ or ▶ button, and then press the OK button.
5. Check settings such as the save format, and change them if necessary. Select the setting items using the ▲ or ▼ button and change settings using the ◀ or ▶ button.
6. Press the ⬡ button.

Note:

The color, size, and border of the scanned image will not be exactly the same as the original.

Related Information

- ➔ “Inserting a Memory Card” on page 56
- ➔ “Placing Originals on the Scanner Glass” on page 53
- ➔ “Menu Options for Scanning” on page 108

Scanning to the Cloud

You can send scanned images to cloud services using the **Scan to Cloud** feature. Before using this feature, make settings using Epson Connect. See the following Epson Connect portal website for details.

<https://www.epsonconnect.com/>

<http://www.epsonconnect.eu> (Europe only)

1. Make sure that you have made settings using Epson Connect.
2. Place the originals.
3. Enter **Scan** from the home screen using the ◀ or ▶ button, and then press the OK button.
4. Select **Scan to Cloud** using the ◀ or ▶ button, and then press the OK button.

Scanning

5. Select the destination using the ▲ or ▼ button, and then press the OK button.
6. Check settings such as the save format, and change them if necessary. Select the setting items using the ▲ or ▼ button and change settings using the ◀ or ▶ button.
7. Press the ⬠ button.

Note:

The color, size, and border of the scanned image will not be exactly the same as the original.

Related Information

- ➔ [“Placing Originals on the Scanner Glass” on page 53](#)
- ➔ [“Menu Options for Scanning” on page 108](#)

Scanning to a Computer

You can save the scanned image to a computer.



Important:

Make sure you have installed Epson Scan 2 and Epson Event Manager on your computer before using this feature.

1. Place the originals.
2. Enter **Scan** from the home screen using the ◀ or ▶ button, and then press the OK button.
3. Select how to save the scanned image to a computer from the following menus using the ◀ or ▶ button, and then press the OK button.
 - Scan to Computer (JPEG):** Saves the scanned image in JPEG format.
 - Scan to Computer (PDF):** Saves the scanned image in PDF format.
 - Scan to Computer (Email):** Starts the email client on your computer, and then automatically attaches it to an email.
4. Select the computer to which you want to save the scanned images.

Note:

- You can change the scan settings such as the scanning size, folder to save, or save format, by using Epson Event Manager.*
- When the printer is connected to a network, you can select the computer to which you want to save the scanned image. Up to 20 computers can be displayed on the printer's control panel.*
- When the computer to which you want to save the scanned images is detected on the network, the initial 15 characters of the computer name are displayed on the control panel. If you set **Network Scan Name (Alphanumeric)** on Epson Event Manager, it is displayed on the control panel.*

5. Press the ⬠ button.

Note:

The color, size, and border of the scanned image will not be exactly the same as the original.

Scanning

Related Information

- ➔ [“Placing Originals on the Scanner Glass” on page 53](#)
- ➔ [“Epson Event Manager” on page 150](#)

Scanning to a Computer (WSD)

Note:

- This feature is only available for computers running English version of Windows 10/Windows 8.1/Windows 8/Windows 7/Windows Vista.
- If you are using Windows 7/Windows Vista, you need to setup your computer in advance using this feature.

1. Place the originals.
2. Enter **Scan** from the home screen using the ◀ or ▶ button, and then press the OK button.
3. Select **Scan to Computer (WSD)** using the ◀ or ▶ button, and then press the OK button.
4. Select a computer.
5. Press the ◊ button.

Note:

The color, size, and border of the scanned image will not be exactly the same as the original.

Related Information

- ➔ [“Placing Originals on the Scanner Glass” on page 53](#)

Setting Up a WSD Port

This section explains how to set up a WSD port for Windows 7/Windows Vista.

Note:

For Windows 10/Windows 8.1/Windows 8, the WSD port is set up automatically.

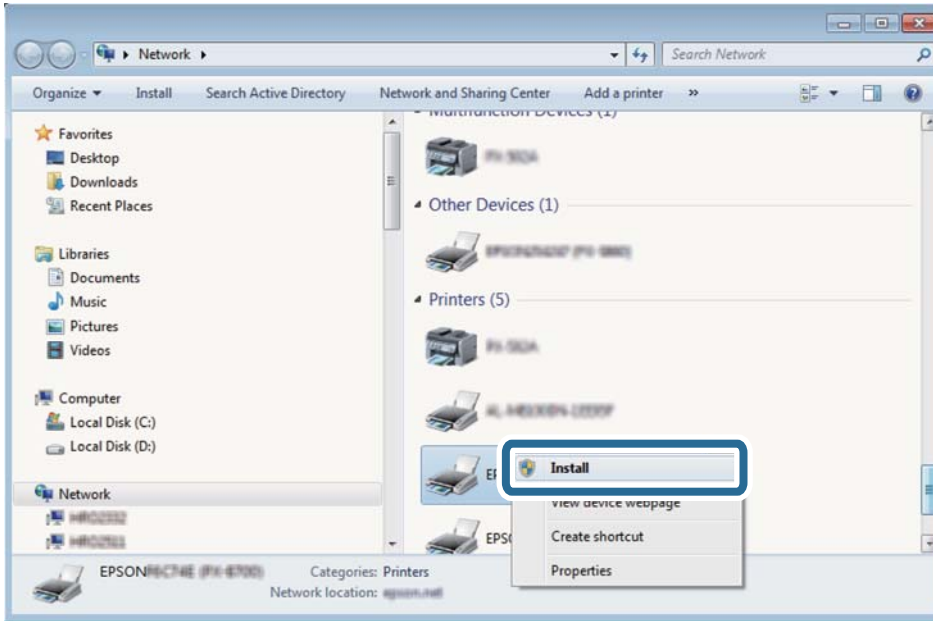
The following is necessary to set up a WSD port.

- The printer and the computer are connected to the network.
- The printer driver is installed on the computer.

1. Turn the printer on.
2. Click start, and then click **Network** on the computer.
3. Right-click the printer, and then click **Install**.
Click **Continue** when the **User Account Control** screen is displayed.

Scanning

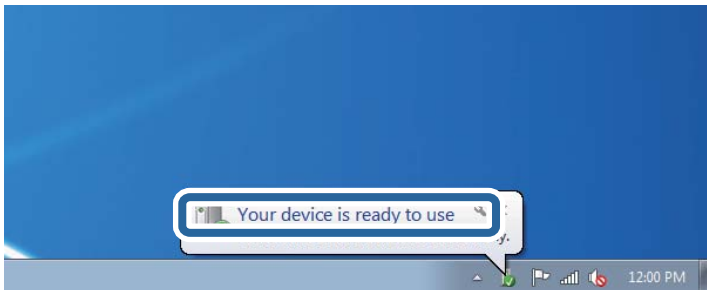
Click **Uninstall** and start again if the **Uninstall** screen is displayed.



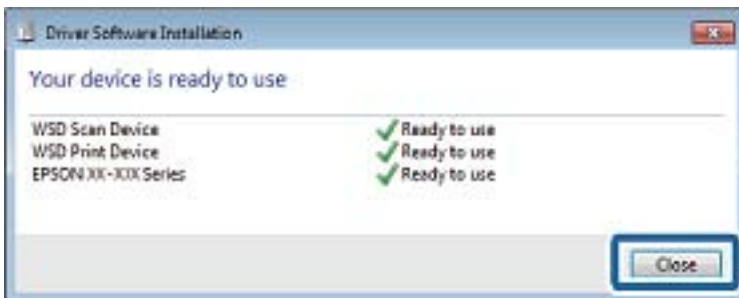
Note:

The printer name you set on the network and model name (EPSON XXXXXX (XX-XXXX)) are displayed on the network screen. You can check the printer's name set on the network from the printer's control panel or by printing a network status sheet.

- 4. Click **Your device is ready to use**.



- 5. Check the message, and then click **Close**.



- 6. Open the **Devices and Printers** screen.

☐ Windows 7

Click start > **Control Panel** > **Hardware and Sound** (or **Hardware**) > **Devices and Printers**.

Scanning

- ❑ Windows Vista

Click start > **Control Panel** > **Hardware and Sound** > **Printers**.

7. Check that an icon with the printer's name on the network is displayed.
Select the printer name when using with WSD.

Related Information

- ➔ [“Printing a Network Status Sheet” on page 33](#)

Menu Options for Scanning

The following options are available on the **Scan to Memory Card** menu and **Scan to Cloud** menu.

Format

Select the format in which to save the scanned image.

Color

Select whether to scan in color or in monochrome.

Scan Area

Select the scan area. To crop the white space around the text or image when scanning, select **Auto Cropping**. To scan at the maximum area of the scanner glass, select **Max Area**. Select this setting and scan again if the edges of the scanned image are cropped when **A4** is selected.

Document

Select the type of your original.

Resolution

Select the scanning resolution.

Contrast

Select the contrast of the scanned image. Increase the level of contrast by pressing the ► button and decrease by pressing the ◀ button.

Document Orientation

Select the orientation of your original.

Scanning from a Computer

Scanning Using Epson Scan 2

You can scan by using the scanner driver "Epson Scan 2". See the Epson Scan 2 help for an explanation of each setting item.

Scanning

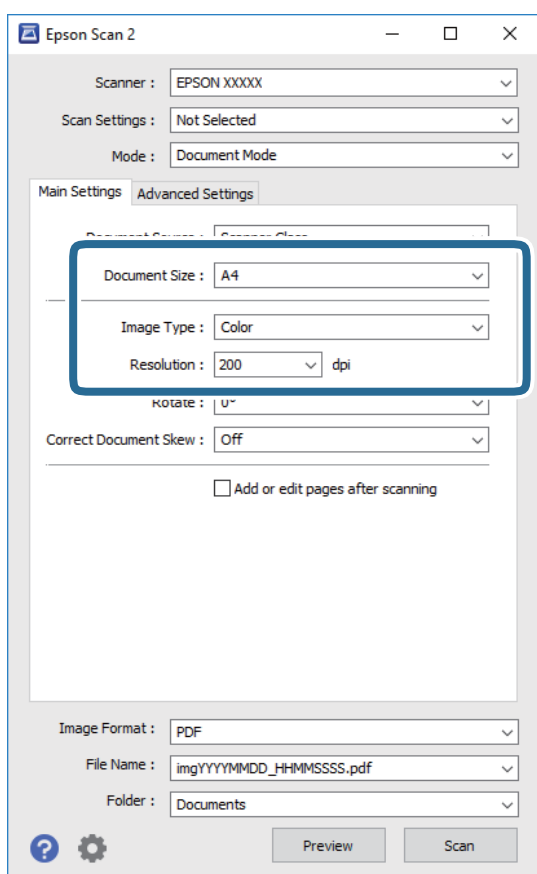
Related Information

➔ “Epson Scan 2 (Scanner Driver)” on page 150

Scanning Documents (Document Mode)

Using **Document Mode** in Epson Scan 2, you can scan originals using detailed settings that are suitable for text documents.

1. Place the originals.
2. Start Epson Scan 2.
3. Select **Document Mode** from the **Mode** list.
4. Make the following settings on the **Main Settings** tab.



- ❑ **Document Size:** Select the size of the original you placed.
- ❑ **Image Type:** Select the color for saving the scanned image.
- ❑ **Resolution:** Select the resolution.

Note:

The **Document Source** setting is fixed as **Scanner Glass**. You cannot change this setting.

Scanning

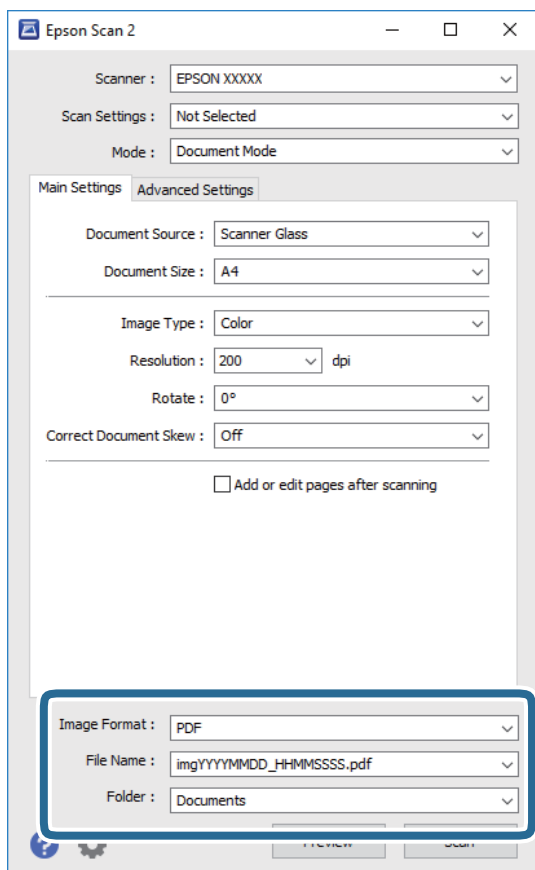
5. Make other scan settings if necessary.

- You can preview the scanned image by clicking the **Preview** button. The preview window opens, and the previewed image is displayed.
- On the **Advanced Settings** tab, you can make detailed image adjustment settings that are suitable for text documents, such as the following.
 - Unsharp Mask:** You can enhance and sharpen the outlines of the image.
 - Descreening:** You can remove moiré patterns (web-like shadows) that appear when scanning printed papers such as a magazine.
 - Text Enhancement:** You can make blurred letters in the original clear and sharp.
 - Auto Area Segmentation:** You can make letters clear and images smooth when performing black and white scanning for a document that contains images.

Note:

The items may not be available depending on other settings you made.

6. Set the file saving settings.



- Image Format:** Select the save format from the list.
You can make detailed settings for each save format except BITMAP and PNG. Select **Options** from the list after selecting the save format.
- File Name:** Confirm the save file name displayed.
You can change settings for the file name by selecting **Settings** from the list.

Scanning

- ❑ **Folder:** Select the save folder for the scanned image from the list.

You can select another folder or create a new folder by selecting **Select** from the list.

7. Click **Scan**.

Related Information

- ➔ [“Placing Originals on the Scanner Glass” on page 53](#)

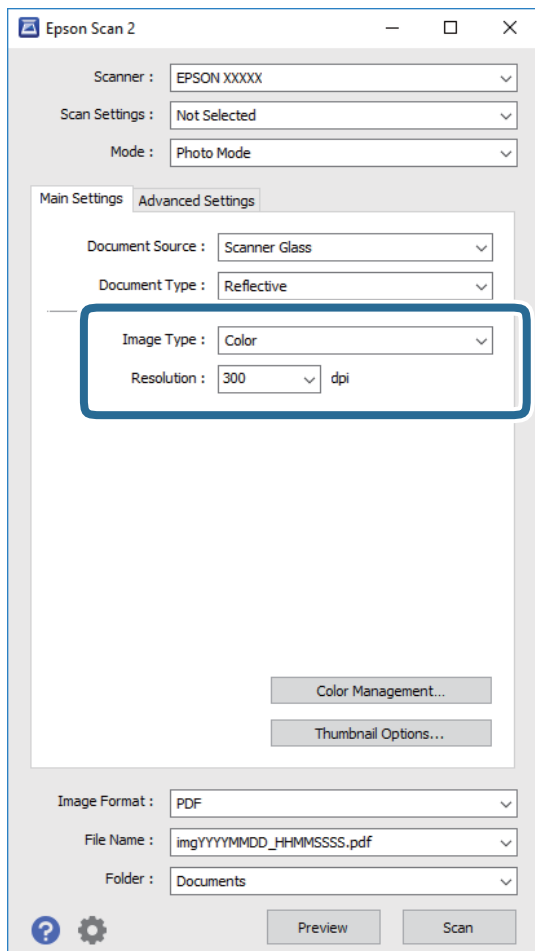
Scanning Photos or Pictures (Photo Mode)

Using **Photo Mode** in Epson Scan 2, you can scan originals with wide variety of image adjustment features that are suitable for photos or pictures.

1. Place the originals.

By placing multiple originals on the scanner glass, you can scan them all at the same time. Make sure there is a gap of at least 20 mm between the originals.

2. Start Epson Scan 2.
3. Select **Photo Mode** from the **Mode** list.
4. Make the following settings on the **Main Settings** tab.



Scanning

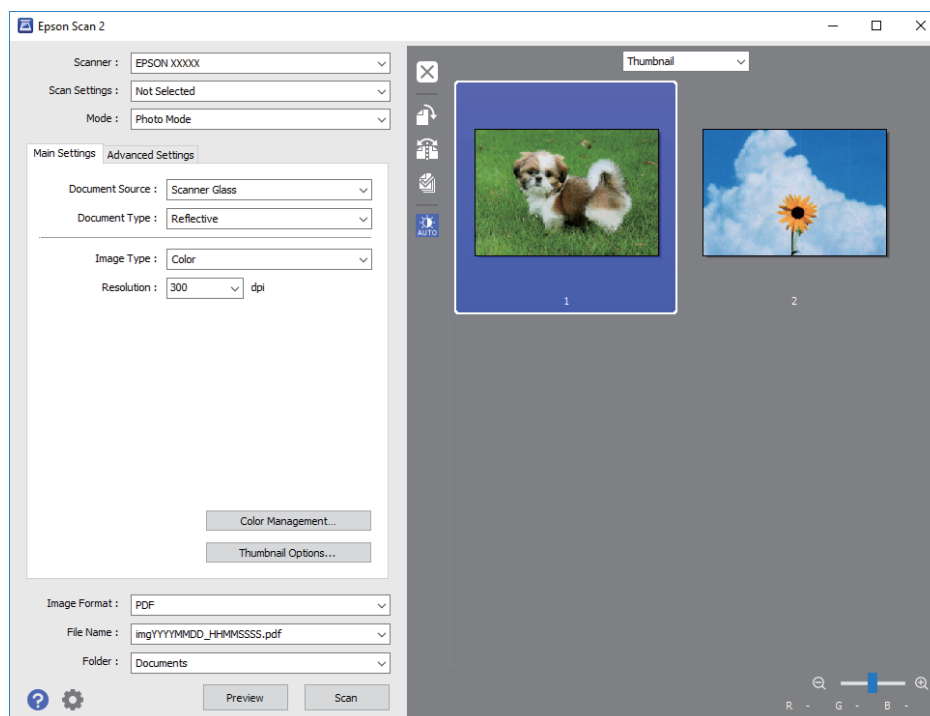
- Image Type:** Select the color for saving the scanned image.
- Resolution:** Select the resolution.

Note:

The **Document Source** setting is fixed as **Scanner Glass**, and the **Document Type** setting is fixed as **Reflective**. (**Reflective** means originals which are not transparent, for example ordinary papers or photos.) You cannot change these settings.

5. Click **Preview**.

The preview window opens, and the previewed images are displayed as thumbnails.

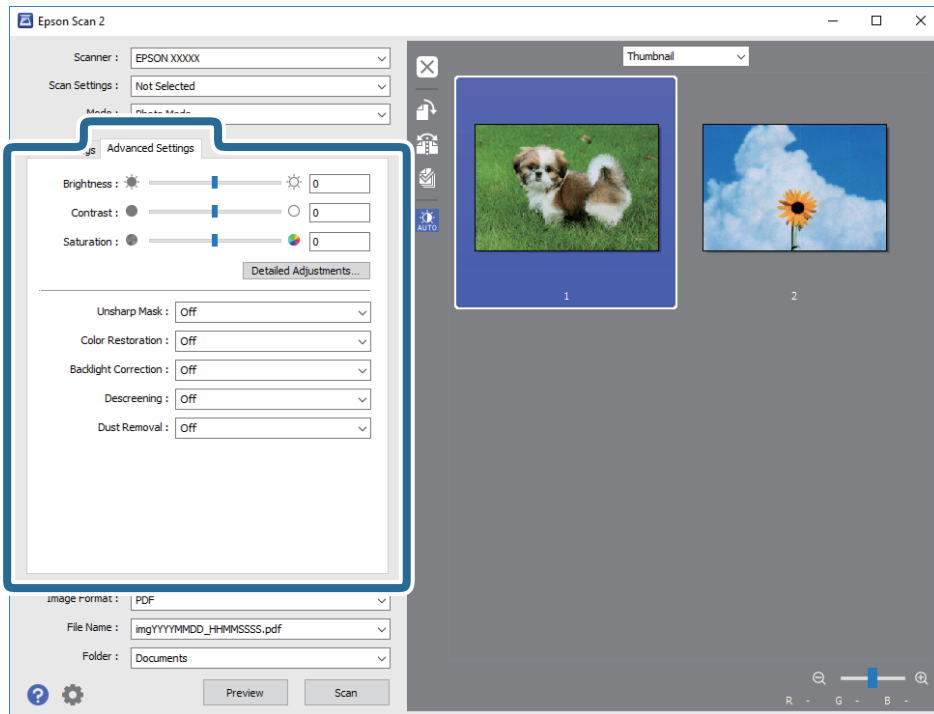


Note:

To preview the entire scanned area, select **Normal** from the list at the top of the preview window.

Scanning

6. Confirm the preview, and make image adjustment settings on the **Advanced Settings** tab if necessary.



You can adjust the scanned image using detailed settings that are suitable for photos or pictures, such as the following.

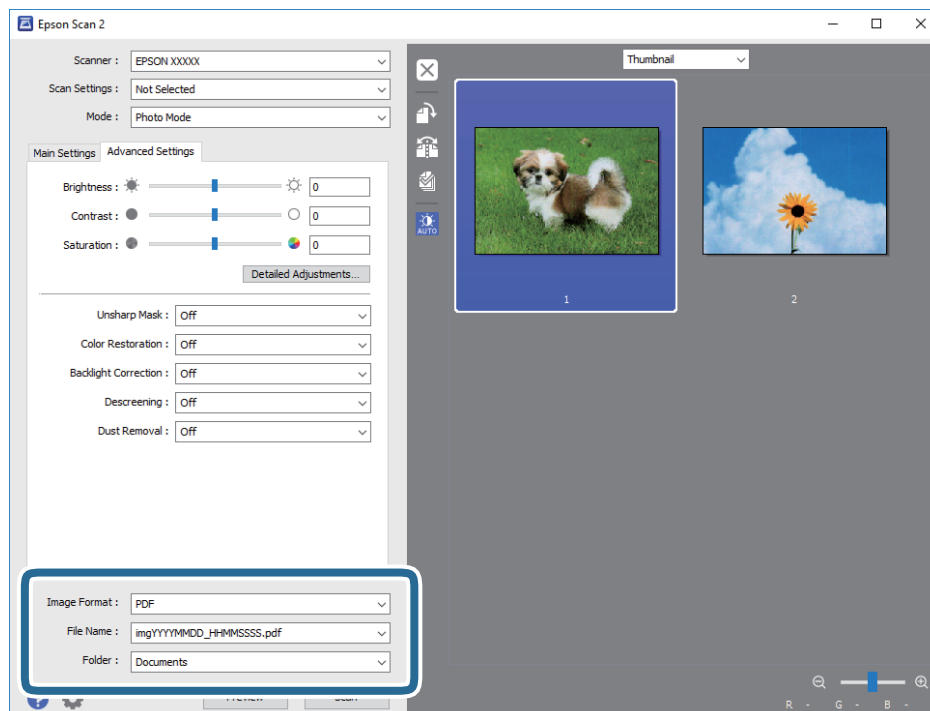
- Brightness:** You can adjust the brightness for the scanned image.
- Contrast:** You can adjust the contrast for the scanned image.
- Saturation:** You can adjust the saturation (color vividness) for the scanned image.
- Unsharp Mask:** You can enhance and sharpen the outlines of the scanned image.
- Color Restoration:** You can correct images that have faded to return them to their original colors.
- Backlight Correction:** You can lighten scanned images that are dark due to backlight.
- Descreening:** You can remove moiré patterns (web-like shadows) that appear when scanning printed papers such as a magazine.
- Dust Removal:** You can remove dust on the scanned image.

Note:

- The items may not be available depending on other settings you made.*
- Depending on the original, the scanned image may not be adjusted correctly.*
- When multiple thumbnails are created, you can adjust the image quality for each thumbnail. Depending on the adjustment items, you can adjust the quality of scanned images all together by selecting multiple thumbnails.*

Scanning

7. Set the file saving settings.



- Image Format:** Select the save format from the list.

You can make detailed settings for each save format except BITMAP and PNG. Select **Options** from the list after selecting the save format.

- File Name:** Confirm the save file name displayed.

You can change settings for the file name by selecting **Settings** from the list.

- Folder:** Select the save folder for the scanned image from the list.

You can select another folder or create a new folder by selecting **Select** from the list.

8. Click **Scan**.

Related Information

- ➔ [“Placing Originals on the Scanner Glass” on page 53](#)
- ➔ [“Placing Photos for Copying” on page 54](#)

Scanning from Smart Devices

Epson iPrint is an application that allows you to scan photos and documents from a smart device, such as a smartphone or tablet, that is connected to the same wireless network as your printer. You can save the scanned data on a smart device or to Cloud services, send it by email, or print it.



Scanning

Installing Epson iPrint

You can install Epson iPrint on your smart device from the following URL or QR code.

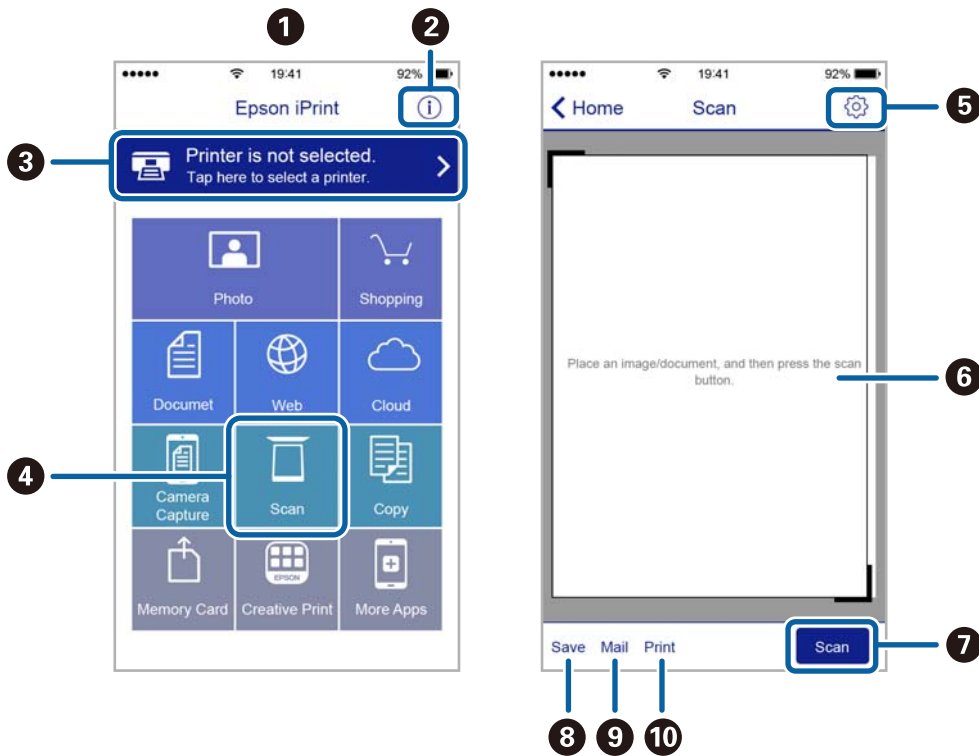
<http://ipr.to/a>



Scanning Using Epson iPrint

Start Epson iPrint from your smart device and select the item you want to use from the home screen.

The following screens are subject to change without notice.



1	Home screen displayed when the application is started.
2	Displays information on how to setup the printer and a FAQ.
3	Displays the screen where you can select the printer and make printer settings. Once you have selected the printer, you do not need to select it again from the next time.
4	Displays the scanning screen.
5	Displays the screen where you can make scan settings such as resolution.
6	Displays scanned images.

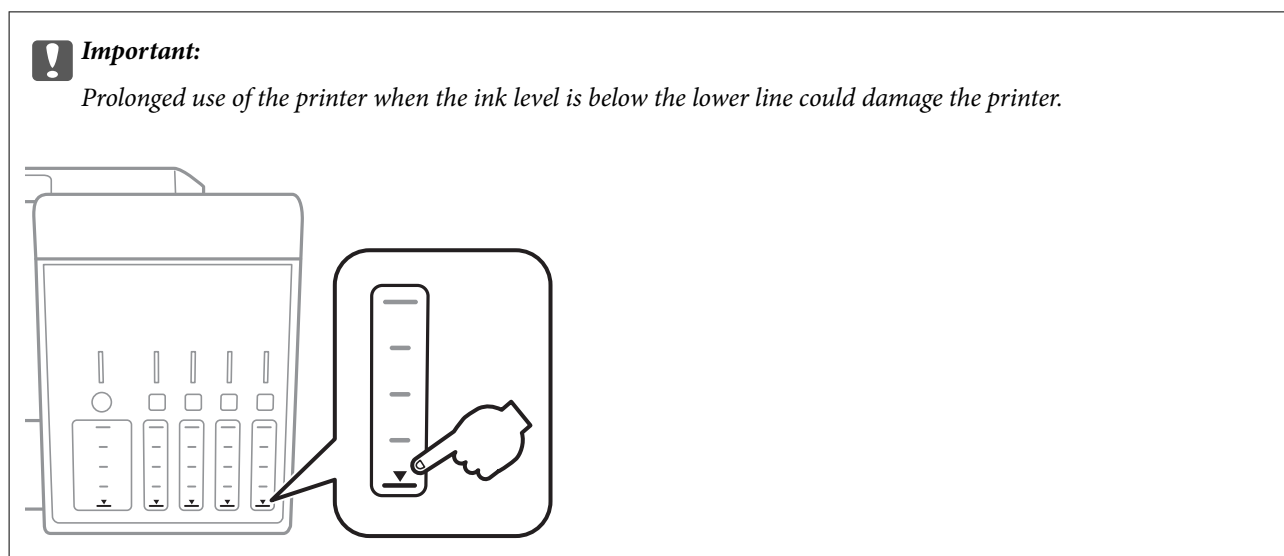
Scanning

7	Starts scanning.
8	Displays the screen where you can save scanned data to a smart device or Cloud services.
9	Displays the screen where you can send scanned data by email.
10	Displays the screen where you can print scanned data.

Refilling Ink and Replacing Maintenance Boxes

Checking the Status of the Remaining Ink and the Maintenance Box

To confirm the actual ink remaining, visually check the ink levels in all of the printer's tanks.



You can check the approximate ink levels from the computer, and the approximate service life of the maintenance box from the control panel or the computer.

Checking the Status of the Maintenance Box - Control Panel

1. Enter **Maint.** from the home screen using the ◀ or ▶ button, and then press the OK button.
2. Select **Maintenance Box Service Life** using the ▲ or ▼ button, and then press the OK button.

Checking the Status of the Remaining Ink and the Maintenance Box - Windows

1. Access the printer driver window.
2. Click **EPSON Status Monitor 3** on the **Maintenance** tab.

Note:


If **EPSON Status Monitor 3** is disabled, click **Extended Settings** on the **Maintenance** tab, and then select **Enable EPSON Status Monitor 3**.

Refilling Ink and Replacing Maintenance Boxes

Related Information

➔ “Windows Printer Driver” on page 144

Checking the Status of the Remaining Ink and the Maintenance Box - Mac OS

1. Select **System Preferences** from the  menu > **Printers & Scanners** (or **Print & Scan**, **Print & Fax**), and then select the printer.
2. Click **Options & Supplies** > **Utility** > **Open Printer Utility**.
3. Click **EPSON Status Monitor**.

Ink Bottle Codes

Epson recommends the use of genuine Epson ink bottles.

The following are the codes for genuine Epson ink bottles.

BK: Black	PB: Photo Black	C: Cyan	M: Magenta	Y: Yellow
105	106	106	106	106

For Australia and New Zealand

BK: Black	PB: Photo Black	C: Cyan	M: Magenta	Y: Yellow
512	512	512	512	512

Important:

Epson warranty does not cover damage caused by inks other than those specified, including any genuine Epson ink not designed for this printer or any third party ink.

Other products not manufactured by Epson may cause damage that is not covered by Epson's warranties, and under certain circumstances, may cause erratic printer behavior.

Note:

- Ink bottle codes may vary by location. For the correct codes in your area, contact Epson support.
- For users in Europe, visit the following website for information on Epson's ink bottle yields.

<http://www.epson.eu/pageyield>

Related Information

➔ “Technical Support Web Site” on page 200

Ink Bottle Handling Precautions

Read the following instructions before refilling ink.

Handling precautions

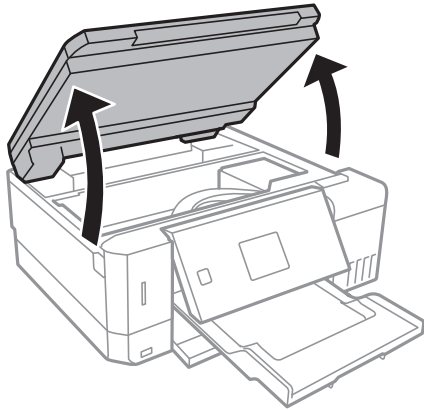
- Use ink bottles with the correct part code for this printer.
- This printer requires careful handling of ink. Ink may splatter when the ink tanks are filled or refilled with ink. If ink gets on your clothes or belongings, it may not come off.
- Do not shake too vigorously or squeeze the ink bottles.
- Once you open an ink bottle, we recommend using it as soon as possible.
- Store ink bottles at normal room temperature and keep them away from direct sunlight.
- Epson recommends using the ink bottle before the date printed on the package.
- Store the ink bottles in the same environment as the printer.
- When storing or transporting an ink bottle, do not tilt the bottle and do not subject it to impacts or temperature changes. Otherwise, ink may leak even if the cap on the ink bottle is tightened securely. Be sure to keep the ink bottle upright when tightening the cap, and take precautions to prevent ink from leaking when transporting the bottle, for example, putting the bottle in a bag.
- After bringing an ink bottle inside from a cold storage site, allow it to warm up at room temperature for at least three hours before using it.
- Do not open the ink bottle package until you are ready to fill the ink tank. The ink bottle is vacuum packed to maintain its reliability. If you leave an ink bottle unpacked for a long time before using it, normal printing may not be possible.
- Prolonged use of the printer when the ink level is below the lower line could damage the printer. Fill the ink tank to the upper line while the printer is not operating. To display the correct ink level estimates, reset the ink level after filling the tank.
- To ensure you receive premium print quality and to help protect your print head, a variable ink safety reserve remains in the ink tank when your printer indicates to refill ink. The yields quoted for you do not include this reserve.
- Although the ink bottles may contain recycled materials, this does not affect printer function or performance.
- Specifications and appearance of the ink bottle are subject to change without prior notice for improvement.
- Quoted yields may vary depending on the images that you are printing, the paper type that you are using, the frequency of your prints and environmental conditions such as temperature.

Ink consumption

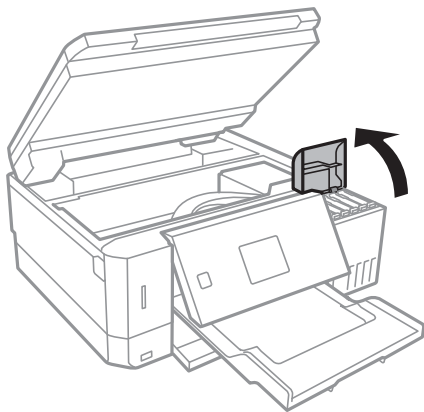
- To maintain optimum print head performance, some ink is consumed from all ink tanks not only during printing but also during maintenance operation such as print head cleaning.
- When printing in monochrome or grayscale, color inks instead of black ink may be used depending on the paper type or print quality settings. This is because a mixture of color inks is used to create black.
- The ink in the ink bottles supplied with your printer is partly used during initial setup. In order to produce high quality printouts, the print head in your printer will be fully charged with ink. This one-off process consumes a quantity of ink and therefore these bottles may print fewer pages compared to subsequent ink bottles.

Refilling the Ink Tanks

1. Open the scanner unit with the document cover closed.

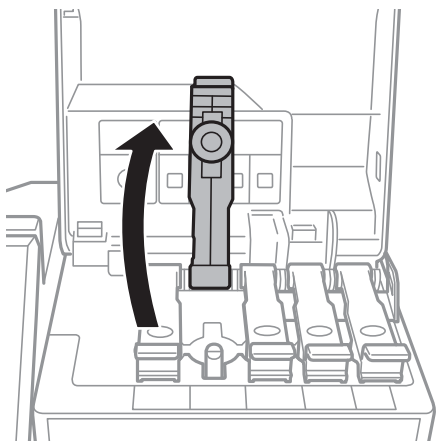


2. Open the ink tank cover.



A message is displayed prompting you to refill the ink tank to the upper line. Press the OK button.

3. Open the cap of the ink tank.

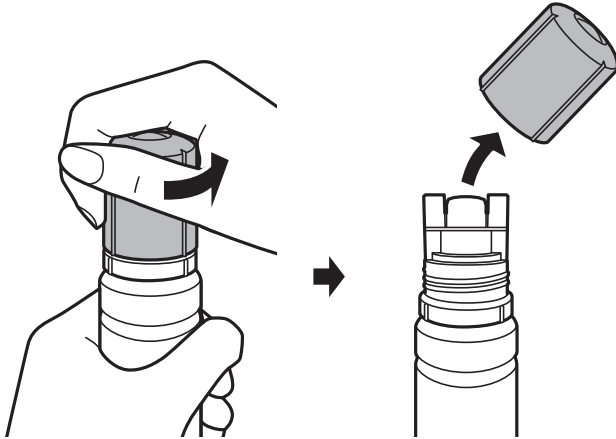


Refilling Ink and Replacing Maintenance Boxes

! *Important:*

Make sure that the color of the ink tank matches the ink color that you want to refill.

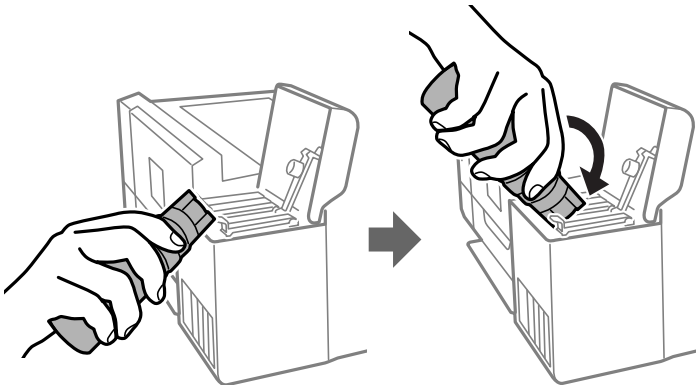
4. While holding the ink bottle upright, turn the cap slowly to remove it.



! *Important:*

- Be careful not to spill any ink.*
- Do not touch the top of the ink bottle after removing the cap; otherwise you may be smeared with ink.*

5. Position the top of the ink bottle along the slot in front of the filling port, and then stand the bottle slowly to insert it into the filling port.

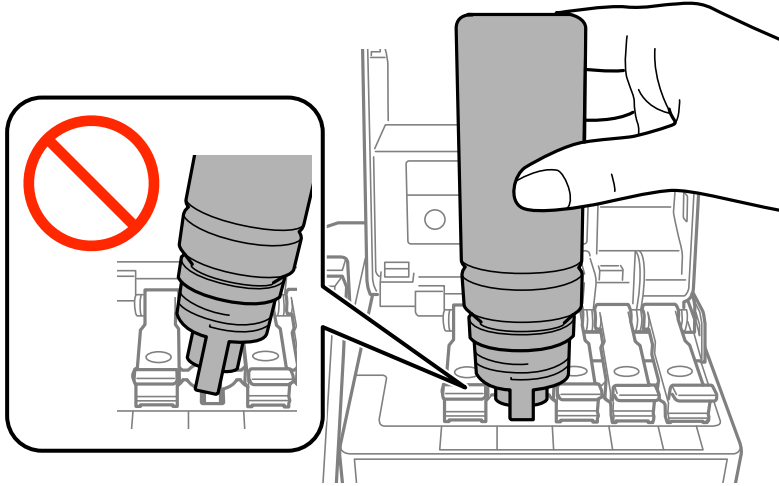


! *Important:*

Do not allow the top of the ink bottle to hit against any objects after removing its cap; otherwise ink may spill.

Refilling Ink and Replacing Maintenance Boxes

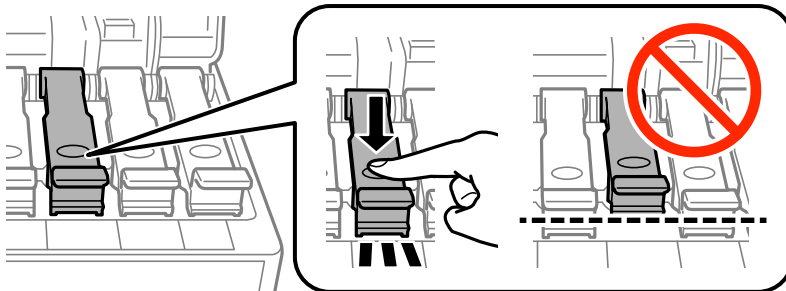
6. Insert the top of the ink bottle securely into the filling port of the tank to refill the tank with ink.
Ink pours into the tank just by holding the bottle normally without squeezing. The ink flow stops automatically when the ink is filled to the upper line.



Note:

If the ink does not start flowing into the tank, remove the ink bottle and try reinserting it.

7. When you have finished refilling the ink, remove the ink bottle, and then close the cap of the ink tank securely.

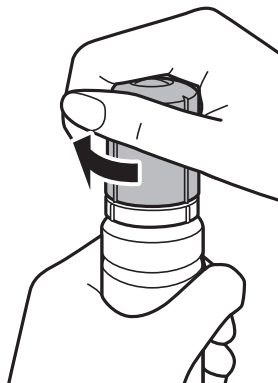


Important:

Do not leave the ink bottle inserted; otherwise the bottle may be damaged or ink may leak.

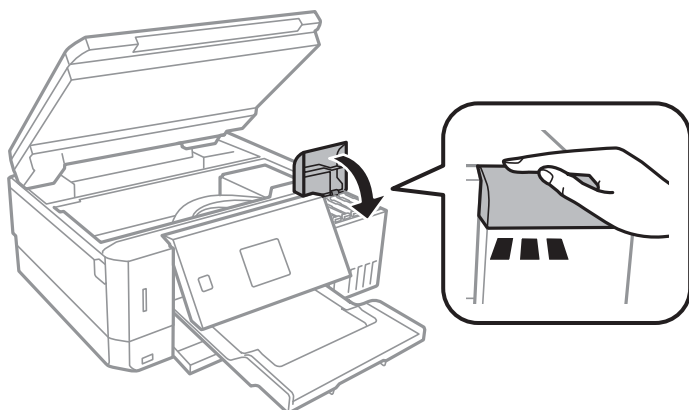
Note:

If any ink remains in the ink bottle, tighten the cap and store the bottle upright for later use.



Refilling Ink and Replacing Maintenance Boxes

8. Close the ink tank cover firmly.



9. Close the scanner unit.
10. Select the color of the ink you refilled up to the upper line using the ◀ or ▶ button, and then press the OK button.
11. Press the ◊ button to reset the ink level.
12. Confirm the message, and then press the OK button.

! **Important:**

If you continue to use the printer after resetting the ink level without refilling the ink tank to the upper line, printing may be performed without ink and this may damage the printer. Before you start printing, make sure you visually check the ink levels in all of the ink tanks.

Related Information

- ➔ [“Ink Bottle Codes” on page 118](#)
- ➔ [“Ink Bottle Handling Precautions” on page 119](#)
- ➔ [“Ink Spilled” on page 186](#)

Maintenance Box Code

Epson recommends the use of a genuine Epson maintenance box.

The following is the code for the genuine Epson maintenance box.

T04D0

Maintenance Box Handling Precautions

Read the following instructions before replacing the maintenance box.

- Do not touch the green chip on the side of the maintenance box. Doing so may prevent normal operation and printing.

Refilling Ink and Replacing Maintenance Boxes

- ❑ Do not replace the maintenance box during printing; otherwise, ink may leak.
- ❑ Do not remove the maintenance box and its cover except when replacing the maintenance box; otherwise ink may leak.
- ❑ Do not reuse a maintenance box which has been removed and left detached for a long period. Ink inside the box will have solidified and no more ink can be absorbed.
- ❑ Keep the maintenance box out of direct sunlight.
- ❑ Do not store the maintenance box in high or freezing temperatures.
- ❑ Once a maintenance box has been installed in a printer it cannot be used with other printers.

Replacing a Maintenance Box

In some print cycles a very small amount of surplus ink may be collected in the maintenance box. To prevent ink leakage from the maintenance box, the printer is designed to stop printing when the absorbing capacity of the maintenance box has reached its limit. Whether and how often this is required will vary according to the number of pages you print, the type of material that you print and the number of cleaning cycles that the printer performs. Replace the maintenance box when you are promoted to do so. The Epson Status Monitor, your LCD, or lights on the control panel will advise you when this part needs replacing. The need for replacement of the box does not mean that your printer has ceased to operate in accordance with its specifications. The Epson warranty does not cover the cost of this replacement. It is a user-serviceable part.

1. Remove the new maintenance box from its package.

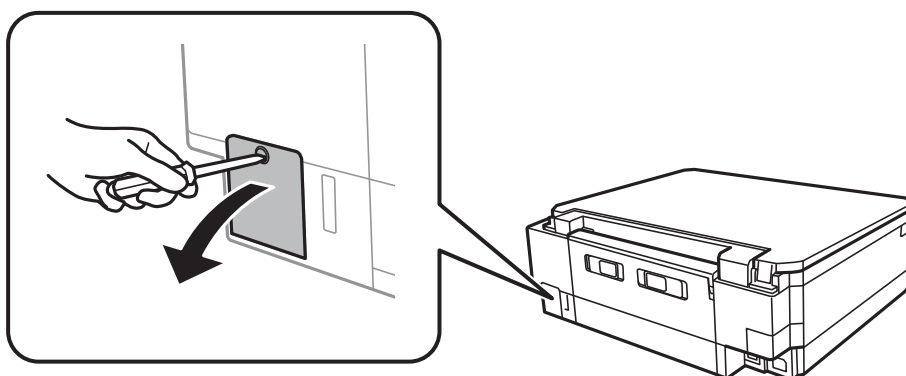
**Important:**

Do not touch the green chip on the side of the maintenance box. Doing so may prevent normal operation and printing.

Note:

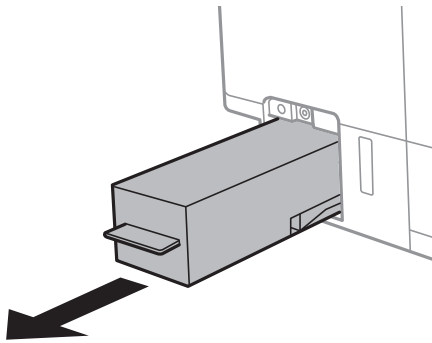
A transparent bag for the used maintenance box is provided with the new maintenance box.

2. Loosen the screw with a flat-head screwdriver, and then remove the cover.



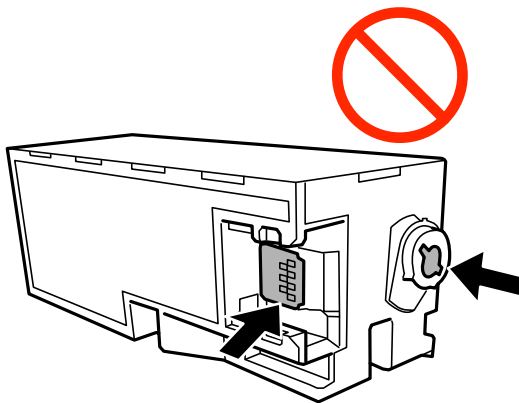
Refilling Ink and Replacing Maintenance Boxes

3. Remove the used maintenance box.

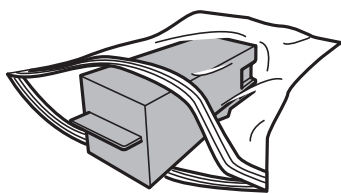


! *Important:*

Do not touch the sections shown in the illustration. Doing so may prevent normal operation and you may get smeared with ink.



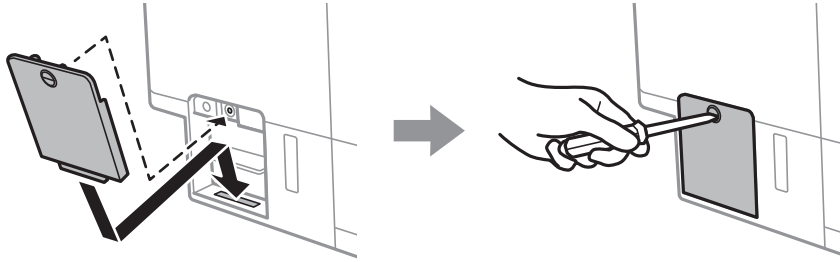
4. Put the used maintenance box in the transparent bag that came with the new maintenance box and seal the bag shut.



5. Insert the new maintenance box all the way into the printer. Make sure you insert the box in the correct direction.

Refilling Ink and Replacing Maintenance Boxes

6. Reattach the cover.



7. Check the message, and then press the OK button.

Related Information

- ➔ [“Maintenance Box Code” on page 123](#)
- ➔ [“Maintenance Box Handling Precautions” on page 123](#)

Maintaining the Printer

Checking and Cleaning the Print Head

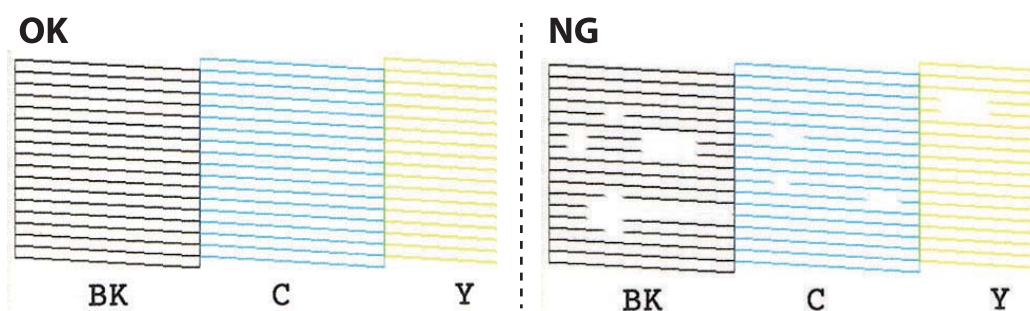
If the nozzles are clogged, the printouts become faint, there is visible banding, or unexpected colors appear. When print quality has declined, use the nozzle check feature and check if the nozzles are clogged. If the nozzles are clogged, clean the print head.

Important:

- Do not open the scanner unit or turn off the printer during head cleaning. If the head cleaning is incomplete, you may not be able to print.
- Because print head cleaning uses some ink, clean the print head only if quality declines.
- When ink is low, you may not be able to clean the print head. Prepare a new ink bottle.
- If print quality has not improved after repeating nozzle check and head cleaning three times, wait for at least 12 hours without printing, and then run the nozzle check again and repeat the head cleaning if necessary. We recommend to turn off the printer. If print quality has still not improved, run Power Cleaning. If it has still not improved, contact Epson support.
- To prevent the print head from drying out, do not unplug the printer while the power is on.

Checking and Cleaning the Print Head - Control Panel

1. Load A4-size plain paper in the paper cassette.
2. Enter **Maint.** from the home screen using the ◀ or ▶ button, and then press the OK button.
3. Select **Nozzle Check** using the ▲ or ▼ button, and then press the OK button.
4. Follow the on-screen instructions to print the nozzle check pattern.
5. Examine the printed pattern. If there are broken lines or missing segments as shown in the "NG" pattern, the print head nozzles may be clogged. Go to the next step. If you cannot see any broken lines or missing segments as in the following "OK" pattern, the nozzles are not clogged. Print head cleaning is not necessary. Select **OK** using the ▲ button.



6. Select **NG** using the ▼ button.

Maintaining the Printer

7. Follow the on-screen instructions to clean the print head.
8. When cleaning is finished, select **Check** using the ▲ or ▼ button, and then follow the on-screen instructions to print the nozzle check pattern again. Repeat cleaning and printing the pattern until all lines are printed completely.

Related Information

- ➔ [“Loading Paper in the Paper Cassette 2” on page 45](#)


Checking and Cleaning the Print Head - Windows

1. Load A4-size plain paper in the paper cassette.
2. Access the printer driver window.
3. Click **Nozzle Check** on the **Maintenance** tab.
4. Follow the on-screen instructions.

Related Information

- ➔ [“Loading Paper in the Paper Cassette 2” on page 45](#)
- ➔ [“Windows Printer Driver” on page 144](#)

Checking and Cleaning the Print Head - Mac OS

1. Load A4-size plain paper in the paper cassette.
2. Select **System Preferences** from the  menu > **Printers & Scanners** (or **Print & Scan**, **Print & Fax**), and then select the printer.
3. Click **Options & Supplies** > **Utility** > **Open Printer Utility**.
4. Click **Nozzle Check**.
5. Follow the on-screen instructions.

Related Information

- ➔ [“Loading Paper in the Paper Cassette 2” on page 45](#)

Running Power Cleaning

The **Power Cleaning** utility allows you to replace all of the ink inside the ink tubes. In the following situations, you may need to use this feature to improve the print quality.

- You printed or performed head cleaning when the ink levels were too low to be seen in the ink tank windows.

Maintaining the Printer

- ❑ You performed the nozzle check and head cleaning several times and then waited for at least 12 hours without printing, but print quality still did not improve.

Before running this feature, read the following instructions.

**Important:**

Make sure that there is enough ink in the ink tanks.

Visually check all ink tanks are at least a third full. Low ink levels during Power Cleaning could damage the product.

**Important:**

An interval of 12 hours is required between each Power Cleaning.

Normally, a single Power Cleaning should resolve the print quality issue within 12 hours. Therefore, to avoid unnecessary ink usage, you must wait 12 hours before you try it again.

**Important:**

Maintenance box replacement may be required.



Ink will be deposited to the maintenance box. If it becomes full, you must prepare and install a replacement maintenance box to continue printing.

Note:

When the ink levels or the free space in the maintenance box are insufficient for Power Cleaning, you cannot run this feature. Even in this case, the levels and the free space for printing may remain.

Running Power Cleaning - Control Panel

Read the instructions for Power Cleaning before running this feature.

1. Turn off the printer, and then press the  button, OK button, and  button at the same time to display the confirmation screen.
2. Follow the on-screen instructions to run the Power Cleaning feature.

Note:

If you cannot run this feature, solve the problems that are displayed on the screen. Next, follow this procedure from step 1 to run this feature again.

3. After running this feature, run the nozzle check to make sure the nozzles are not clogged.

Related Information

➔ [“Running Power Cleaning” on page 128](#)

Running Power Cleaning - Windows

1. Access the printer driver window.
2. Click **Power Cleaning** on the **Maintenance** tab.

Maintaining the Printer

3. Follow the on-screen instructions.


Note:

If you cannot run this feature, solve the problems that are displayed on the printer's control panel. Next, follow this procedure from step 1 to run this feature again.

Related Information

- ➔ [“Windows Printer Driver” on page 144](#)

Running Power Cleaning - Mac OS

1. Select **System Preferences** from the  menu > **Printers & Scanners** (or **Print & Scan, Print & Fax**), and then select the printer.
2. Click **Options & Supplies** > **Utility** > **Open Printer Utility**.
3. Click **Power Cleaning**.
4. Follow the on-screen instructions.

Note:

If you cannot run this feature, solve the problems that are displayed on the printer's control panel. Next, follow this procedure from step 1 to run this feature again.

Aligning the Print Head

If you notice a misalignment of vertical lines or blurred images, align the print head.

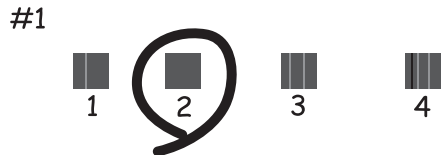
Aligning the Print Head - Control Panel

1. Load A4-size plain paper in the paper cassette.
2. Enter **Maint.** from the home screen using the ◀ or ▶ button, and then press the OK button.
3. Select **Print Head Alignment** using the ▲ or ▼ button, and then press the OK button.
4. Select one of the alignment menus using the ▲ or ▼ button, and then press the OK button.
 - Vertical Alignment : Select this if your printouts look blurry or vertical ruled lines appear misaligned.
 - Horizontal Alignment : Select this if you see horizontal banding at regular intervals.
Select **Color** or **B&W** according to the print settings.

Maintaining the Printer

5. Follow the on-screen instructions to print a pattern for alignment and align the print head.

- Vertical Alignment : Find and select the number for the most solid pattern in each group using the ▲ or ▼ button, and then press the OK button.



- Horizontal Alignment : Find and select the number for the least separated and overlapping pattern using the ▲ or ▼ button, and then press the OK button.



Note:

The test pattern may vary by model.

Related Information

➔ [“Loading Paper in the Paper Cassette 2” on page 45](#)

Cleaning the Paper Path for Ink Smears

When the printouts are smeared or scuffed, clean the roller inside. You cannot use the cleaning sheet.



Important:

Do not use tissue paper to clean the inside of the printer. The print head nozzles may be clogged with lint.

1. Make sure there is no dust or stains on the scanner glass and the document cover.
2. Load A4-size plain paper in the paper cassette.

Maintaining the Printer

3. Start copying without placing an original on the scanner glass.

Note:

Repeat this procedure until the paper is not smeared with ink. If you are using the rear paper feed slot, load A4-size plain paper after starting to copy.

Related Information

- ➔ [“Loading Paper in the Paper Cassette 2” on page 45](#)
- ➔ [“Loading Paper in the Rear Paper Feed Slot” on page 49](#)
- ➔ [“Copying Basics” on page 97](#)

Cleaning the Scanner Glass

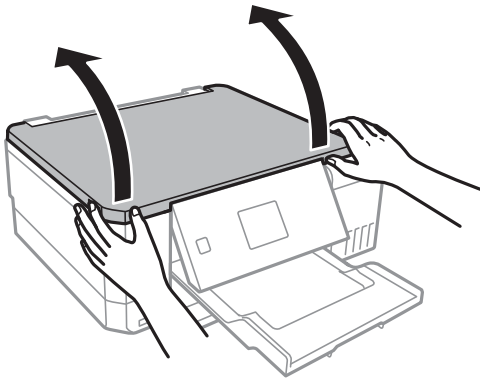
When the copies or scanned images are smeared or scuffed, clean the scanner glass.



Important:

Never use alcohol or thinner to clean the printer. These chemicals can damage the printer.

1. Open the document cover.



2. Use a soft, dry, clean cloth to clean the surface of the scanner glass.

Note:

- If the glass surface is stained with grease or some other hard-to-remove material, use a small amount of glass cleaner and a soft cloth to remove it. Wipe off all remaining liquid.
- Do not press the glass surface too hard.
- Be careful not to scratch or damage the surface of the glass. A damaged glass surface can decrease the scan quality.

Checking the Total Number of Pages Fed Through the Printer

You can check the total number of pages (sheets of paper and CDs/DVDs) fed through the printer.

Maintaining the Printer

Checking the Total Number of Pages Fed Through the Printer - Control Panel

The information is printed together with the nozzle check pattern.

1. Load A4-size plain paper in the paper cassette.
2. Enter **Maint.** from the home screen using the ◀ or ▶ button, and then press the OK button.
3. Select **Nozzle Check** using the ▲ or ▼ button, and then press the OK button.
4. Follow the on-screen instructions to print the nozzle check pattern.

Related Information

➔ [“Loading Paper in the Paper Cassette 2” on page 45](#)


Checking the Total Number of Pages Fed Through the Printer - Windows

1. Access the printer driver window.
2. Click **Printer and Option Information** on the **Maintenance** tab.

Related Information

➔ [“Windows Printer Driver” on page 144](#)

Checking the Total Number of Pages Fed Through the Printer - Mac OS

1. Select **System Preferences** from the  menu > **Printers & Scanners** (or **Print & Scan**, **Print & Fax**), and then select the printer.
2. Click **Options & Supplies** > **Utility** > **Open Printer Utility**.
3. Click **Printer and Option Information**.

Saving Power

The printer enters sleep mode or turns off automatically if no operations are performed for a set period. You can adjust the time before power management is applied. Any increase will affect the product's energy efficiency. Please consider the environment before making any change.

Depending on the location of purchase, the printer may have a feature that turns it off automatically if it is not connected to the network for 30 minutes.

Maintaining the Printer

Saving Power - Control Panel

1. Enter **Settings** from the home screen using the ◀ or ▶ button, and then press the OK button.
2. Select **Printer Setup** using the ▲ or ▼ button, and then press the OK button.
3. Do one of the following.
 - Select **Sleep Timer** or **Power Off Settings** > **Power Off If Inactive** or **Power Off If Disconnected** using the ▲ or ▼ button, and then press the OK button.
 - Select **Sleep Timer** or **Power Off Timer** using the ▲ or ▼ button, and then press the OK button.

Note:

*Your product may have the **Power Off Settings** or **Power Off Timer** feature depending on the location of purchase.*

4. Select the setting using the ▲ or ▼ button, and then press the OK button.

Menu Options for Settings Mode

By selecting **Settings** on the home screen from the control panel, you can make printer settings or perform printer maintenance.

Menu Options for Maintenance

Select the menus on the control panel as described below.

Settings > Maintenance

Nozzle Check:

Select this feature to check if the print head nozzles are clogged. The printer prints a nozzle check pattern.

Head Cleaning:

Select this feature to clean clogged nozzles in the print head.

Power Cleaning:

Select this feature to replace all of the ink inside the ink tubes if you have not used the printer for a long time and notice banding or missing colors in your printouts. More ink is consumed than in usual cleaning. See the "Related Information" below for details on using this feature.

Print Head Alignment:

Select this feature to adjust the print head to improve print quality.

Vertical Alignment

Select this feature if your printouts look blurry or text and lines are misaligned.

Horizontal Alignment

Select this feature if horizontal banding appears at regular intervals in your printouts.

Reset Ink Levels:

Select this feature to reset the ink levels to 100% when refilling the ink tank.

Maintenance Box Service Life:

Displays the approximate service life of the maintenance box. When the ! icon is displayed, the maintenance box is nearly full. When the X icon is displayed, the maintenance box is full.

Related Information

- ➔ [“Checking and Cleaning the Print Head” on page 127](#)
- ➔ [“Running Power Cleaning” on page 128](#)
- ➔ [“Aligning the Print Head” on page 130](#)
- ➔ [“Checking the Status of the Remaining Ink and the Maintenance Box” on page 117](#)

Menu Options for Printer Setup

Select the menus on the control panel as described below.

Settings > Printer Setup

Paper Source Setting:

Paper Setup:

Select the paper size and paper type you loaded in the paper sources.

Paper Configuration:

Select **On** to display the paper settings screen automatically by referring to **Settings > Printer Setup > Paper Source Setting > Paper Setup** when paper is loaded in the paper source. If you disable this feature, you cannot print from an iPhone or iPad using AirPrint

CD/DVD:

Adjusts the printing position of a CD/DVD by moving up, down, left, or right to fit.

Stickers:

Adjusts the printing position of a photo sticker by moving up, down, left, or right to fit.

Thick Paper:

Select **On** to prevent ink from smearing on your printouts, however, this may lower the print speed.

Quiet Mode:

Select **On** to reduce noise during printing, however, this may lower the print speed. Depending on the paper type and print quality settings you selected, there may be no difference in the printer's noise level.

Screen Saver:

Select **Memory Card Data** to display photos as a slideshow when no operations are performed for about three minutes.

Auto Power On:

Select **On** to turn on the printer automatically when it receives a print or scan job over a USB-connection or a network connection. To start printing, you need to slide out the output tray. Also, enabling **Auto Power On** increases power consumption slightly in standby status when compared to turning the printer off completely.

Use the **Power Off Timer** setting if you want the printer to automatically turn off when the job is finished and a set time period has passed with no operations performed. This is useful when printing from a remote location such as over the Internet.

Power Off Settings:

Your product may have this feature or the Power Off Timer feature depending on the location of purchase.

Menu Options for Settings Mode

Power Off If Inactive

Select this setting to turn the printer off automatically if it is not used for a specified period of time. Any increase will affect the product's energy efficiency. Please consider the environment before making any change.

Power Off If Disconnected

Select this setting to turn the printer off after 30 minutes when all network ports including the LINE port are disconnected.

Power Off Timer:

Your product may have this feature or the Power Off Settings feature depending on the location of purchase.

Select this setting to turn the printer off automatically when it is not used for a specified period of time. You can adjust the time before power management is applied. Any increase will affect the product's energy efficiency. Please consider the environment before making any change.

Sleep Timer:

Adjust the time period to enter a sleep mode (energy saving mode) when the printer has not performed any operations. The LCD screen turns black when the setting time passes.

Language:

Select the language used on the LCD screen.

Related Information

➔ [“Saving Power” on page 133](#)

Menu Options for Network Settings

Select the menus on the control panel as described below.

Settings > Network Settings

Network Status:

Displays the network settings and connection status.

Wi-Fi Setup:

Wi-Fi Setup Wizard

Select a SSID, enter a password, and then connect the printer to a wireless (Wi-Fi) network.

Push Button Setup (WPS)

Connects the printer to a wireless (Wi-Fi) network by pressing a WPS push button on a wireless router.

PIN Code Setup (WPS)

In the wireless router utility, enter the PIN code displayed on the printer's screen to connect the printer to a wireless (Wi-Fi) network.

Menu Options for Settings Mode

Wi-Fi Auto Connect

Connects the printer to a wireless (Wi-Fi) network using a computer that is connected to the access point. Insert the software disc supplied with the printer into the computer, and then follow the on-screen instructions. When you are prompted to operate the printer, run this menu.

Disable Wi-Fi

Disables the connection by turning off the wireless signal without deleting the network information. To enable the connection, set up the wireless (Wi-Fi) network again.

Wi-Fi Direct Setup

Connects the printer to a wireless (Wi-Fi) network without a wireless router.

Manual Network Setup:

Changes the network settings, such as the device name or TCP/IP.

Connection Check:

Checks the status of the network connection and prints the network connection report. If there are any problems with the connection, see the report to solve the problem.

Related Information

- ➔ “Checking the Network Connection Status” on page 28
- ➔ “Making Wi-Fi Settings Manually” on page 24
- ➔ “Making Wi-Fi Settings by Push Button Setup” on page 25
- ➔ “Making Wi-Fi Settings by PIN Code Setup (WPS)” on page 25
- ➔ “Disconnecting Wi-Fi Direct (Simple AP) connection from the Control Panel” on page 35

Menu Options for Epson Connect Services

Select the menus on the control panel as described below.

Settings > Epson Connect Services

Register/Delete:

Register or delete the printer to or from the Epson Connect services.

For usage guides, see the following portal website.

<https://www.epsonconnect.com/>

<http://www.epsonconnect.eu> (Europe only)

Suspend/Resume:

Select whether to suspend or resume Epson Connect services.

Email Address:

Check the printer's email address that is registered to the Epson Connect services.

Status:

Check whether or not the printer is registered and connected to the Epson Connect services.

Menu Options for Settings Mode

Related Information

➔ [“Epson Connect Service” on page 142](#)

Menu Options for Google Cloud Print Services

Select the menus on the control panel as described below.

Settings > Google Cloud Print Services

Suspend/Resume

Select whether to suspend or resume the Google Cloud Print services.

Unregister

Unregister the Google Cloud Print services.

Status

Check whether or not the printer is registered and connected to the Google Cloud Print services.

For registration and usage guides, see the following portal website.

<https://www.epsonconnect.com/>

<http://www.epsonconnect.eu> (Europe only)

Menu Options for File Sharing Setup

Select the menus on the control panel as described below.

Settings > File Sharing Setup

Select the connection method between the printer and a computer that will have write access to the memory card inserted in the printer. Read and write access is given to the computer with the priority connection. Only read access is given to other computers.

Related Information

➔ [“Accessing a Memory Card From a Computer” on page 199](#)

Menu Options for External Device Setup

Select the menus on the control panel as described below.

Settings > External Device Setup

Change the print settings to print directly from an external device such as a digital camera. See related information for an explanation on each setting item.

Related Information

- ➔ [“Menu Options for Paper and Print Settings” on page 70](#)
- ➔ [“Menu Options for Photo Adjustment and Zoom” on page 71](#)

Menu Options for Guide Functions

Select the menus on the control panel as described below.

Settings > Guide Functions**Paper Setting Alert**

Displays a warning if the paper settings (print settings) for the print job do not match the printer's paper settings made when you loaded the paper. This setting prevents misprinting. When **Paper Configuration** is disabled in the following menu, the paper setting screen is not displayed. In this situation, you cannot print from an iPhone or iPad using AirPrint.

Settings > Printer Setup > Paper Source Setting

Menu Options for Firmware Update

Select the menus on the control panel as described below.

Settings > Firmware Update**Update:**

Checks if the latest version of the firmware has been uploaded to the network server. If an update is available, you can select whether or not to start updating.

Current Version:

Displays the current firmware version of your printer.

Notification:

Checks for firmware updates periodically and notifies you if an update is available.

Related Information

- ➔ [“Updating the Printer's Firmware using the Control Panel” on page 155](#)

Menu Options for Restore Default Settings

Select the menus on the control panel as described below.

Settings > Restore Default Settings**Network Settings:**

Resets the network settings to their defaults.

Menu Options for Settings Mode

All Except Network Settings:

Resets all settings except for network settings to their defaults.

All Settings:

Resets all settings to their defaults.

Network Service and Software Information

This section introduces the network services and software products available for your printer from the Epson website or the supplied software disc.

Epson Connect Service

By using Epson Connect service available on the Internet, you can print from your smartphone, tablet PC, or laptop, anytime and practically anywhere. You need to register your printer with the Epson Connect service in advance.

The features available on the Internet are as follows.

Email Print	Epson iPrint remote print	Scan to Cloud	Remote Print Driver
✓	✓	✓	✓

Follow the steps below to register the printer.

1. Select **Settings > Epson Connect Services > Register/Delete** on the home screen to print the registration sheet.
2. Follow the instructions on the registration sheet to register the printer.

See the Epson Connect web portal for details.

<https://www.epsonconnect.com/>

<http://www.epsonconnect.eu> (Europe only)

Web Config

Web Config is an application that runs in a web browser, such as Internet Explorer and Safari, on a computer or smart device. You can confirm the printer status or change the network service and printer settings. To use the Web Config, connect the printer and the computer or device to the same network.

Note:

The following browsers are supported.

OS	Browser
Windows XP SP3 or later	Internet Explorer 8 or later, Firefox*, Chrome*
Mac OS X v10.6.8 or later	Safari*, Firefox*, Chrome*
iOS*	Safari*
Android 2.3 or later	Default browser
Chrome OS*	Default browser

* Use the latest version.

Running Web Config on a Web Browser

1. Check the printer's IP address.

Select **Settings** > **Network Settings** > **Network Status** from the home screen, and then check the printer's IP address.

2. Launch a Web browser from a computer or smart device, and then enter the printer's IP address.

Format:

IPv4: http://the printer's IP address/

IPv6: http://[the printer's IP address]/

Examples:

IPv4: http://192.168.100.201/

IPv6: http://[2001:db8::1000:1]/

Note:

Using the smart device, you can also run Web Config from the maintenance screen of Epson iPrint.

Related Information

➔ [“Using Epson iPrint” on page 91](#)

Running Web Config on Windows

When connecting a computer to the printer using WSD, follow the steps below to run Web Config.

1. Access the devices and printers screen in Windows.

- Windows 10

Right-click the start button or press and hold it, and then select **Control Panel** > **View devices and printers** in **Hardware and Sound**.

- Windows 8.1/Windows 8

Select **Desktop** > **Settings** > **Control Panel** > **View devices and printers** in **Hardware and Sound** (or **Hardware**).

- Windows 7

Click the start button, and select **Control Panel** > **View devices and printers** in **Hardware and Sound**.


- Windows Vista

Click the start button, and select **Control Panel** > **Printers** in **Hardware and Sound**.

2. Right-click on your printer and select **Properties**.

3. Select the **Web Service** tab and click the URL.

Running Web Config on Mac OS

1. Select **System Preferences** from the  menu > **Printers & Scanners** (or **Print & Scan**, **Print & Fax**), and then select the printer.

2. Click **Options & Supplies > Show Printer Webpage**.

Windows Printer Driver

The printer driver controls the printer according to the commands from an application. Making settings on the printer driver provides the best printing results. You can also check the status of the printer or keep it in top operating condition using the printer driver utility.

Note:

You can change the language of the printer driver. Select the language you want to use from the **Language** setting on the **Maintenance** tab.

Accessing the printer driver from applications

To make settings that apply only to the application you are using, access from that application.

Select **Print** or **Print Setup** from the **File** menu. Select your printer, and then click **Preferences** or **Properties**.

Note:

Operations differ depending on the application. See the application's help for details.

Accessing the printer driver from the control panel

To make settings that apply to all of the applications, access from the control panel.

Windows 10

Right-click the start button or press and hold it, and then select **Control Panel > View devices and printers in Hardware and Sound**. Right-click on your printer, or press and hold it and then select **Printing preferences**.

Windows 8.1/Windows 8

Select **Desktop > Settings > Control Panel > View devices and printers in Hardware and Sound**. Right-click on your printer, or press and hold it and then select **Printing preferences**.

Windows 7

Click the start button, and select **Control Panel > View devices and printers in Hardware and Sound**. Right-click on your printer and select **Printing preferences**.

Windows Vista

Click the start button, and select **Control Panel > Printers in Hardware and Sound**. Right-click on your printer and select **Select printing preferences**.

Windows XP

Click the start button, and select **Control Panel > Printers and Other Hardware > Printers and Faxes**. Right-click on your printer and select **Printing preferences**.

Accessing the printer driver from the printer icon on the task bar

The printer icon on the desktop task bar is a shortcut icon allowing you to quickly access the printer driver.

If you click the printer icon and select **Printer Settings**, you can access the same printer settings window as the one displayed from the control panel. If you double-click this icon, you can check the status of the printer.

Note:

If the printer icon is not displayed on the task bar, access the printer driver window, click **Monitoring Preferences** on the **Maintenance** tab, and then select **Register the shortcut icon to the taskbar**.

Network Service and Software Information

Starting the utility

Access the printer driver window. Click the **Maintenance** tab.

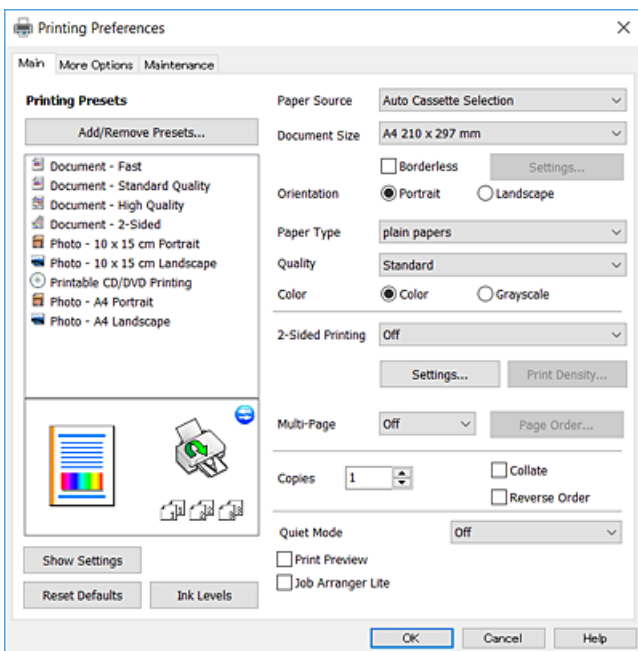
Guide to Windows Printer Driver

Help is available in the printer driver for Windows. To view explanations of the setting items, right-click on each item, and then click **Help**.

Main Tab

You can make basic settings for printing, such as paper type or paper size.

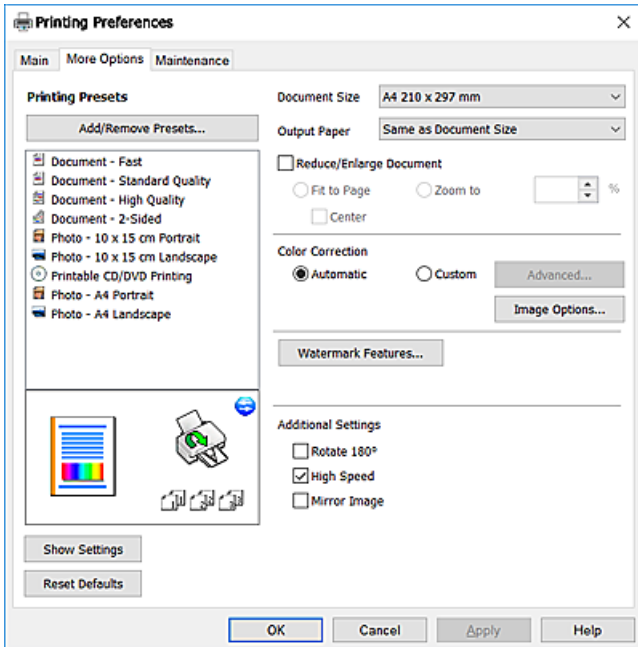
You can also make settings for printing both sides of the paper or printing multiple pages on one sheet.



Network Service and Software Information

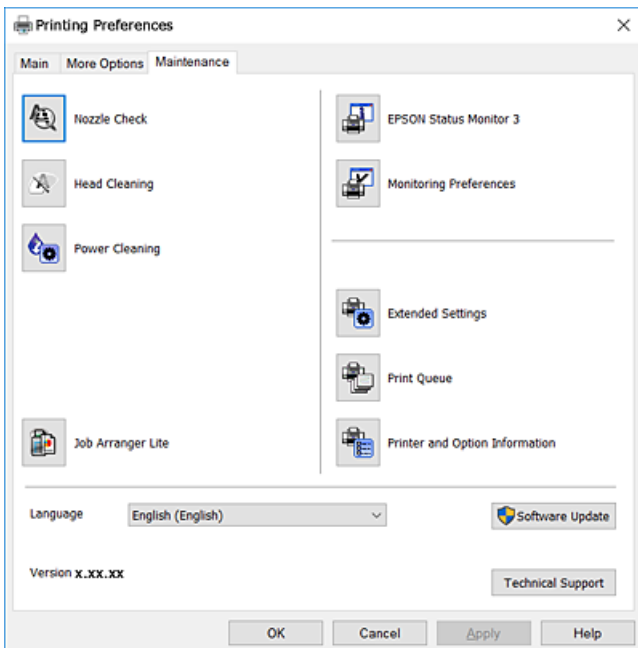
More Options Tab

You can select additional layout and printing options such as changing the size of a printout or making color corrections.



Maintenance Tab

You can run maintenance features such as nozzle check and print head cleaning, and by starting **EPSON Status Monitor 3**, you can check printer status and error information.



Making Operation Settings for the Windows Printer Driver

You can make settings such as enabling **EPSON Status Monitor 3**.

Network Service and Software Information

1. Access the printer driver window.
2. Click **Extended Settings** on the **Maintenance** tab.
3. Make the appropriate settings, and then click **OK**.
See the online help for explanations of the setting items.

Related Information

➔ [“Windows Printer Driver” on page 144](#)

Mac OS Printer Driver

The printer driver controls the printer according to the commands from an application. Making settings on the printer driver provides the best printing results. You can also check the status of the printer or keep it in top operating condition using the printer driver utility.

Accessing the printer driver from applications

Click **Page Setup** or **Print** on the **File** menu of your application. If necessary, click **Show Details** (or ▼) to expand the print window.

Note:

*Depending on the application being used, **Page Setup** may not be displayed in the **File** menu, and the operations for displaying the print screen may differ. See the application's help for details.*

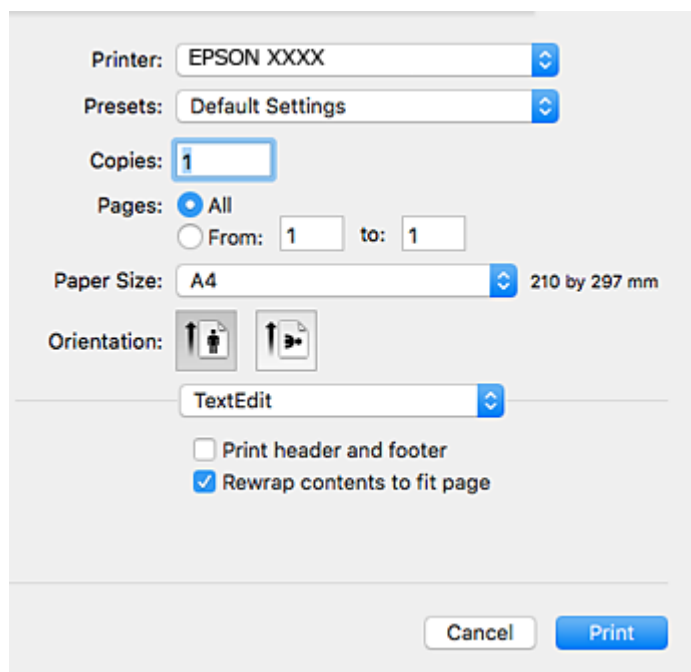
Starting the utility

Select **System Preferences** from the  menu > **Printers & Scanners** (or **Print & Scan, Print & Fax**), and then select the printer. Click **Options & Supplies** > **Utility** > **Open Printer Utility**.

Guide to Mac OS Printer Driver

Print dialog


Switch the pop-up menu on the center of the screen to show more items.



Pop-up Menu	Descriptions
Print Settings	You can make the basic print settings such as paper type and print quality.
Two-sided Printing Settings	You can select a binding direction for 2-sided printing or select a document type.
Layout	You can select a layout for printing several pages on one sheet or select to print a border.
Paper Handling	You can reduce or enlarge the size of the print job to automatically fit the paper size you loaded.
Color Matching	You can adjust the colors.
Color Options	When you select EPSON Color Controls from the Color Matching menu, you can select a color correction method.

Note:

On OS X Mountain Lion or later, if **Print Settings** menu is not displayed, Epson printer driver has not been installed correctly.

Select **System Preferences** from the  menu > **Printers & Scanners** (or **Print & Scan**, **Print & Fax**), remove the printer, and then add the printer again. See the following to add a printer.

<http://epson.sn>

Network Service and Software Information


Epson Printer Utility

You can run a maintenance feature such as nozzle check and print head cleaning, and by starting **EPSON Status Monitor**, you can check printer status and error information.



Making Operation Settings for the Mac OS Printer Driver

Accessing the Operation Settings Window of the Mac OS Printer Driver

Select **System Preferences** from the  menu > **Printers & Scanners** (or **Print & Scan**, **Print & Fax**), and then select the printer. Click **Options & Supplies** > **Options** (or **Driver**).

Operation Settings of the Mac OS Printer Driver

- Thick paper and envelopes: Prevents the ink from smearing when printing on thick paper. However, this may reduce print speed.
- Skip Blank Page: Avoids printing blank pages.
- Quiet Mode: Reduces the noise the printer makes, however, may reduce print speed.
- Automatic Cassette Switching: Automatically feeds paper from paper cassette 2 when paper run out in paper cassette 1.
- High Speed Printing: Prints when the print head moves in both directions. The print speed is faster, but the quality may decline.
- Warning Notifications: Allows the printer driver to display warning notifications.

Network Service and Software Information

- Establish bidirectional communication: Usually, this should be set to **On**. Select **Off** when acquiring the printer information is impossible because the printer is shared with Windows computers on a network or for any other reason.

Epson Scan 2 (Scanner Driver)

Epson Scan 2 is an application for controlling scanning. You can adjust the size, resolution, brightness, contrast, and quality of the scanned image.

Note:

You can also start Epson Scan 2 from a TWAIN-compliant scanning application.

Starting on Windows

- Windows 10

Click the start button, and then select **EPSON > Epson Scan 2**.

- Windows 8.1/Windows 8

Enter the application name in the search charm, and then select the displayed icon.

- Windows 7/Windows Vista/Windows XP

Click the start button, and then select **All Programs** or **Programs > EPSON > Epson Scan 2 > Epson Scan 2**.

Starting on Mac OS

Note:

Epson Scan 2 does not support the Mac OS fast user switching feature. Turn off fast user switching.

Select **Go > Applications > Epson Software > Epson Scan 2**.

Related Information

- ➔ [“Installing Applications” on page 154](#)

Epson Event Manager

Epson Event Manager is an application that allows you to manage scanning from the control panel and save images to a computer. You can add your own settings as presets, such as the document type, the save folder location, and the image format. See the application's help for details.

Starting on Windows

- Windows 10

Click the start button, and then select **Epson Software > Event Manager**.

- Windows 8.1/Windows 8

Enter the application name in the search charm, and then select the displayed icon.

- Windows 7/Windows Vista/Windows XP

Click the start button, and then select **All Programs** or **Programs > Epson Software > Event Manager**.

Starting on Mac OS

Select **Go > Applications > Epson Software > Event Manager**.

Related Information

- ➔ [“Scanning to a Computer” on page 105](#)
- ➔ [“Installing Applications” on page 154](#)

Epson Easy Photo Print

Epson Easy Photo Print is an application that allows you to easily print photos with various layouts. You can preview the photo image and adjust the images or position. You can also print photos with a frame. See the application's help for details.

Note:

To use this application, the printer driver needs to be installed.

Starting on Windows

Windows 10

Click the start button, and then select **Epson Software > Epson Easy Photo Print**.

Windows 8.1/Windows 8

Enter the application name in the search charm, and then select the displayed icon.

Windows 7/Windows Vista/Windows XP

Click the start button, and then select **All Programs** or **Programs > Epson Software > Epson Easy Photo Print**.

Starting on Mac OS

Select **Go > Applications > Epson Software > Epson Easy Photo Print**.

Related Information

- ➔ [“Installing Applications” on page 154](#)

Epson Print CD

Epson Print CD is an application that allows you to design a CD/DVD label to be printed directly onto a CD/DVD. You can also print a CD/DVD jacket for CD/DVD case. See the application's help for details.

Note:

To use this application, the printer driver needs to be installed.

Starting on Windows

Windows 10

Click the start button, and then select **Epson Software > Print CD**.

Windows 8/Windows 8.1

Enter the application name in the search charm, and then select the displayed icon.

Network Service and Software Information

- ❑ Windows 7/Windows Vista/Windows XP

Click the start button, and then select **All Programs** or **Programs > Epson Software > Print CD**.

Starting on Mac OS

Select **Go > Applications > Epson Software > Print CD > Print CD**.

Related Information

➔ [“Installing Applications” on page 154](#)

EPSON Software Updater

EPSON Software Updater is an application that checks for new or updated software on the internet and installs it. You can also update the printer's firmware and manual.

Starting on Windows

- ❑ Windows 10

Click the start button, and then select **Epson Software > EPSON Software Updater**.

- ❑ Windows 8.1/Windows 8

Enter the application name in the search charm, and then select the displayed icon.

- ❑ Windows 7/Windows Vista/Windows XP

Click the start button, and then select **All Programs** (or **Programs**) > **Epson Software > EPSON Software Updater**.

Note:

*You can also start EPSON Software Updater by clicking the printer icon on the task bar on the desktop, and then selecting **Software Update**.*

Starting on Mac OS

Select **Go > Applications > Epson Software > EPSON Software Updater**.


Related Information

➔ [“Installing Applications” on page 154](#)

Uninstalling Applications

Log in to your computer as an administrator. Enter the administrator password if the computer prompts you.

Uninstalling Applications - Windows

1. Press the  button to turn off the printer.
2. Quit all running applications.

Network Service and Software Information

3. Open **Control Panel**:

- Windows 10

Right-click the start button or press and hold it, and then select **Control Panel**.

- Windows 8.1/Windows 8

Select **Desktop > Settings > Control Panel**.

- Windows 7/Windows Vista/Windows XP

Click the start button and select **Control Panel**.

4. Open **Uninstall a program** (or **Add or Remove Programs**):

- Windows 10/Windows 8.1/Windows 8/Windows 7/Windows Vista

Select **Uninstall a program** in **Programs**.

- Windows XP

Click **Add or Remove Programs**.

5. Select the application you want to uninstall.

6. Uninstall the applications:

- Windows 10/Windows 8.1/Windows 8/Windows 7/Windows Vista

Click **Uninstall/Change** or **Uninstall**.

- Windows XP

Click **Change/Remove** or **Remove**.

Note:

If the **User Account Control** window is displayed, click **Continue**.

7. Follow the on-screen instructions.

Uninstalling Applications - Mac OS

1. Download the Uninstaller using EPSON Software Updater.

Once you have downloaded the Uninstaller, you do not need to download it again each time you uninstall the application.

2. Press the button to turn off the printer.


3. To uninstall the printer driver, select **System Preferences** from the menu > **Printers & Scanners** (or **Print & Scan, Print & Fax**), and then remove the printer from the enabled printers list.

4. Quit all running applications.

5. Select **Go > Applications > Epson Software > Uninstaller**.

Network Service and Software Information

6. Select the application you want to uninstall, and then click **Uninstall**.

 **Important:**

The Uninstaller removes all drivers for Epson inkjet printers on the computer. If you use multiple Epson inkjet printers and you only want to delete some drivers, delete all of them first, and then install the necessary printer driver again.

Note:

*If you cannot find the application you want to uninstall in the application list, you cannot uninstall using the Uninstaller. In this situation, select **Go > Applications > Epson Software**, select the application you want to uninstall, and then drag it to the trash icon.*

Related Information

- ➔ [“EPSON Software Updater” on page 152](#)

Installing Applications

Connect your computer to the network and install the latest version of applications from the website.

Note:

- Log on to your computer as an administrator. Enter the administrator password if the computer prompts you.
- When reinstalling an application, you need to uninstall it first.

1. Quit all running applications.
2. When installing the printer driver or Epson Scan 2, disconnect the printer and the computer temporarily.

Note:

Do not connect the printer and the computer until you are instructed to do so.

3. Install the applications by following the instructions on the website below.

<http://epson.sn>

Note:

If you are using a Windows computer and you cannot download applications from the website, install them from the software disc that came with the printer.

Related Information

- ➔ [“Uninstalling Applications” on page 152](#)

Updating Applications and Firmware

You may be able to clear certain problems and improve or add functions by updating the applications and the firmware. Make sure you use the latest version of the applications and firmware.

1. Make sure that the printer and the computer are connected, and the computer is connected to the internet.

Network Service and Software Information

2. Start EPSON Software Updater, and update the applications or the firmware.



Important:

Do not turn off or unplug the printer until the update is complete; otherwise, the printer may malfunction.

Note:

If you cannot find the application you want to update in the list, you cannot update using the EPSON Software Updater. Check for the latest versions of the applications from your local Epson website.

<http://www.epson.com>

Related Information

- ➔ [“EPSON Software Updater” on page 152](#)

Updating the Printer's Firmware using the Control Panel

If the printer is connected to the Internet, you can update the printer's firmware using the control panel. By updating the firmware, the printer's performance may improve, or new functions may be added. You can also set the printer to regularly check for firmware updates and notify you if any are available.

1. Enter **Settings** from the home screen using the ◀ or ▶ button, and then press the OK button.
2. Select **Firmware Update** using the ▲ or ▼ button, and then press the OK button.
3. Select **Update** using the ▲ or ▼ button, and then press the OK button.

Note:

*Select **Notification** > **On** to set the printer to regularly check for available firmware updates.*

4. Check the message displayed on the screen and press the OK button.

The printer starts searching for available updates.

5. If a message is displayed on the LCD screen informing you that a firmware update is available, follow the on-screen instructions to start the update.



Important:

- ❑ *Do not turn off or unplug the printer until the update is complete; otherwise, the printer may malfunction.*
- ❑ *If the firmware update is not completed or is unsuccessful, the printer does not start up normally and "Recovery Mode" is displayed on the LCD screen the next time the printer is turned on. In this situation, you need to update the firmware again using a computer. Connect the printer to the computer with a USB cable. While "Recovery Mode" is displayed on the printer, you cannot update the firmware over a network connection. On the computer, access your local Epson website, and then download the latest printer firmware. See the instructions on the website for the next steps.*

Related Information


- ➔ [“Technical Support Web Site” on page 200](#)

Solving Problems

Checking the Printer Status

Checking Messages on the LCD Screen

If an error message is displayed on the LCD screen, follow the on-screen instructions or the solutions below to solve the problem.

Error Messages	Solutions
Printer error. Turn the power off and on again. For details, see documentation.	If the error message is still displayed after turning the power off and on again, contact Epson support.
Operation canceled. An error occurred while saving.	The external storage device, such as a memory card, may be damaged. Check if the device is available.
Paper Configuration is disabled. Some features may not be available. For details, see your documentation.	If Paper Configuration is disabled, you cannot use AirPrint. In addition, messages notifying you that the paper size and type do not match are not displayed. Keep this setting enabled unless you always use the same size and type of paper and do not need to change the paper settings.
The printer's borderless printing ink pad is nearing the end of its service life. Please contact Epson support.	Contact Epson or an authorised Epson service provider to replace the ink pad*. It is not a user-serviceable part. The message will be displayed until the ink pad is replaced. Press the  button to resume printing.
The printer's borderless printing ink pad has reached the end of its service life. Please contact Epson support.	Contact Epson or an authorised Epson service provider to replace the ink pad*. It is not a user-serviceable part.
Communication error. Check if a computer is connected.	Connect the computer and the printer correctly. If you are connecting over a network, see the page that describes the network connection method from the computer. If the error message is displayed during scanning, make sure that Epson Scan 2 and Epson Event Manager are installed on the computer.
Combination of the IP address and the subnet mask is invalid. See your documentation.	Enter the correct IP address or default gateway. Contact the person who setup the network for assistance.
Update the root certificate to use cloud services.	Run Web Config, and then update the root certificate.
Recovery Mode	The printer has started in recovery mode because the firmware update failed. Follow the steps below to try to update the firmware again. 1. Connect the computer and the printer with a USB cable. (During recovery mode, you cannot update the firmware over a network connection.) 2. Visit your local Epson website for further instructions.

* In some print cycles a very small amount of surplus ink may be collected in the ink pad. To prevent ink leakage from the pad, the printer is designed to stop printing when the pad has reached its limit. Whether and how often this is required will vary according to the number of pages you print, the type of material that you print and the number of cleaning cycles that the printer performs. The need for replacement of the pad does not mean that your

Solving Problems

printer has ceased to operate in accordance with its specifications. The printer will advise you when the pad requires replacing and this can only be performed by an authorised Epson Service provider. The Epson warranty does not cover the cost of this replacement.

Related Information

- ➔ [“Contacting Epson Support” on page 201](#)
- ➔ [“Supported Memory Card Specifications” on page 191](#)
- ➔ [“Supported External Storage Device Specifications” on page 192](#)
- ➔ [“Installing Applications” on page 154](#)
- ➔ [“Web Config” on page 142](#)
- ➔ [“Updating Applications and Firmware” on page 154](#)

Checking the Printer Status - Windows

1. Access the printer driver window.
2. Click **EPSON Status Monitor 3** on the **Maintenance** tab.


Note:

- You can also check the printer status by double-clicking the printer icon on the taskbar. If the printer icon is not added to the taskbar, click **Monitoring Preferences** on the **Maintenance** tab, and then select **Register the shortcut icon to the taskbar**.
- If **EPSON Status Monitor 3** is disabled, click **Extended Settings** on the **Maintenance** tab, and then select **Enable EPSON Status Monitor 3**.

Related Information

- ➔ [“Windows Printer Driver” on page 144](#)

Checking the Printer Status - Mac OS

1. Select **System Preferences** from the  menu > **Printers & Scanners** (or **Print & Scan**, **Print & Fax**), and then select the printer.
2. Click **Options & Supplies** > **Utility** > **Open Printer Utility**.
3. Click **EPSON Status Monitor**.

You can check the printer status, ink levels, and error status.

Removing Jammed Paper

Check the error displayed on the control panel and follow the instructions to remove the jammed paper including any torn pieces. Next, clear the error.

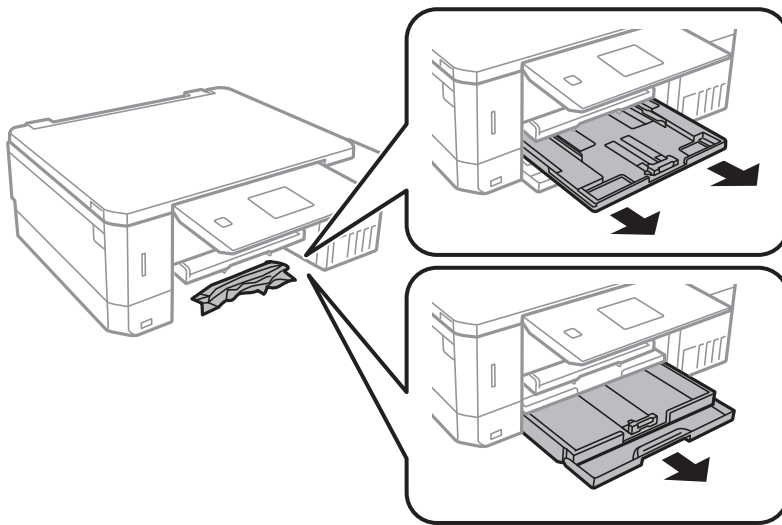
Solving Problems

! *Important:*

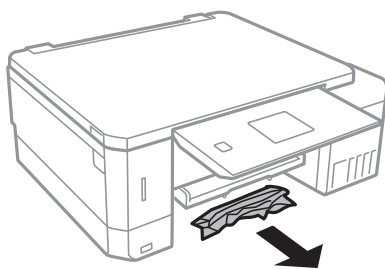
- ❑ *Remove the jammed paper carefully. Removing the paper vigorously may cause damage to the printer.*
- ❑ *When removing jammed paper, avoid tilting the printer, placing it vertically, or turning it upside down; otherwise ink may leak.*

Removing Jammed Paper from the Paper Cassette

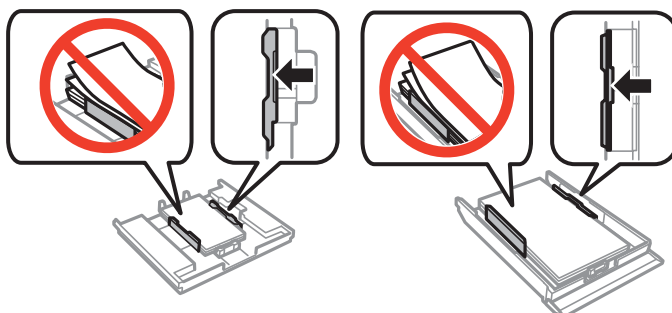
1. Close the output tray.
2. Pull out the paper cassette.



3. Remove the jammed paper.



4. Align the edges of the paper and slide the edge guides to the edges of the paper.



Solving Problems

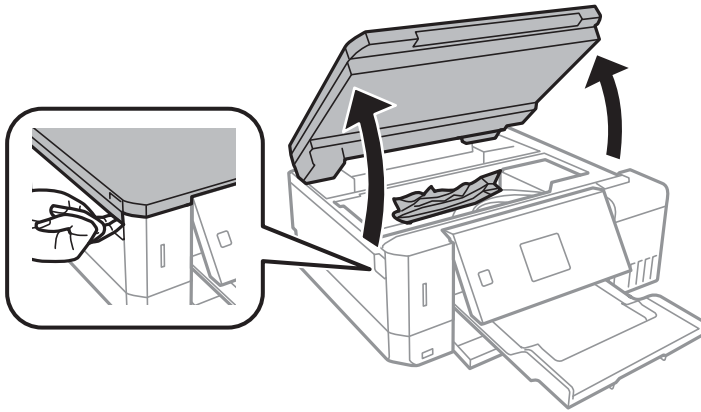
5. Insert the paper cassette in the printer.

Removing Jammed Paper from Inside the Printer

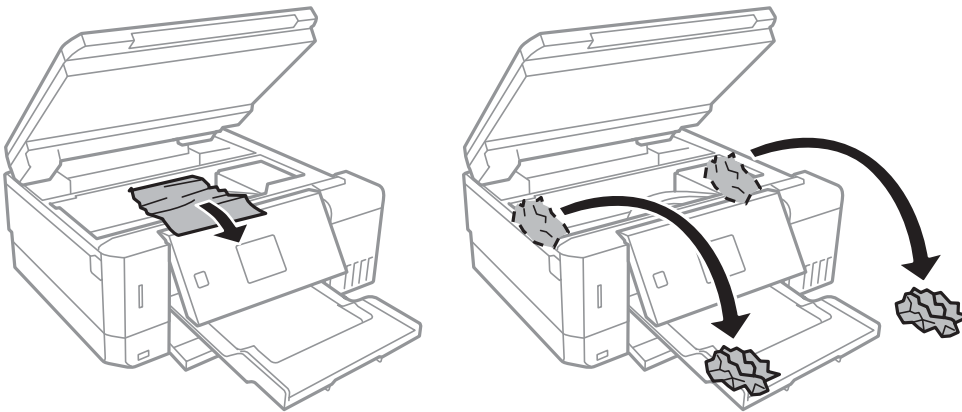
**Caution:**

- ❑ Be careful not to trap your hand or fingers when opening or closing the scanner unit. Otherwise you may be injured.
- ❑ Never touch the buttons on the control panel while your hand is inside the printer. If the printer starts operating, it could cause an injury. Be careful not to touch the protruding parts to avoid injury.

1. Open the scanner unit with the document cover closed.



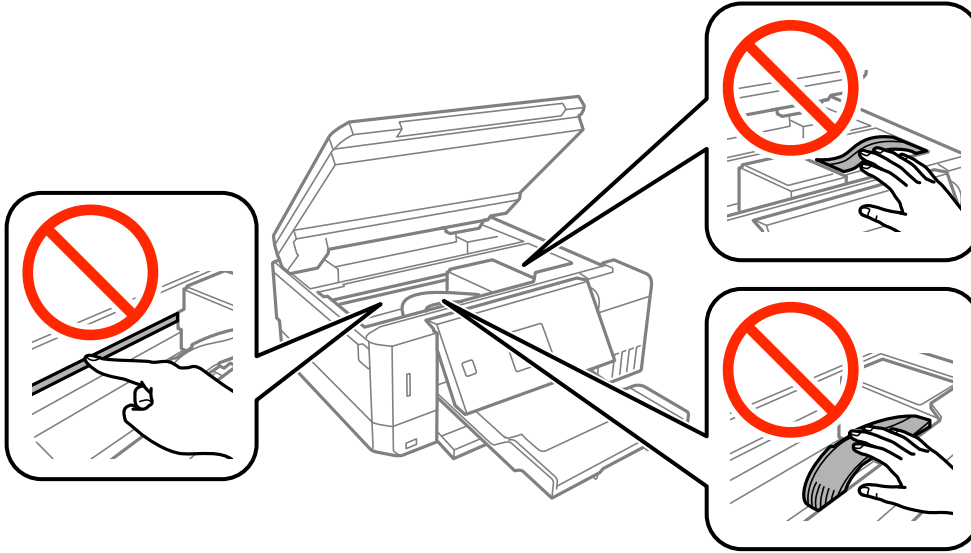
2. Remove the jammed paper.



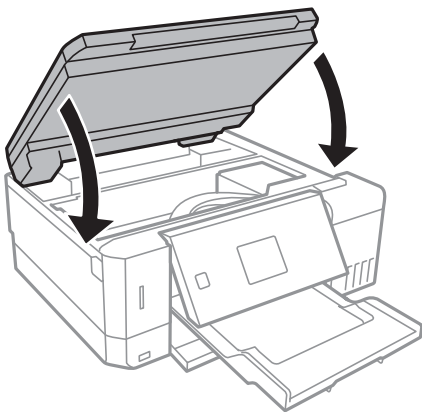
Solving Problems

! *Important:*

Do not touch the white flat cable, translucent part, and ink tubes inside the printer. Doing so may cause a malfunction.

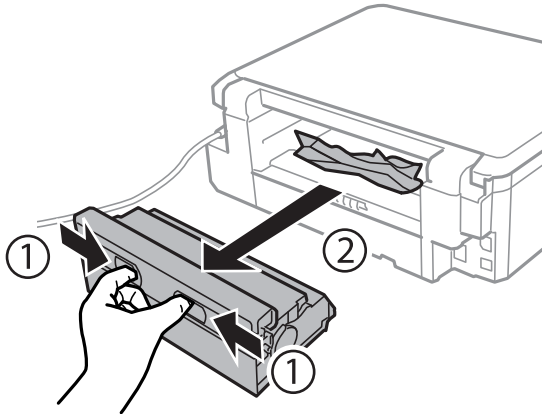


3. Close the scanner unit.

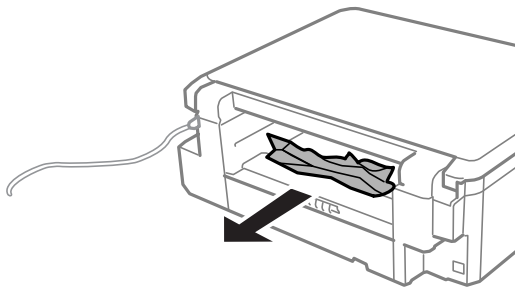


Removing Jammed Paper from the Rear Cover

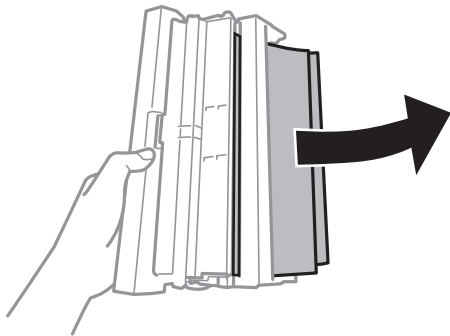
1. Remove the rear cover.



2. Remove the jammed paper.

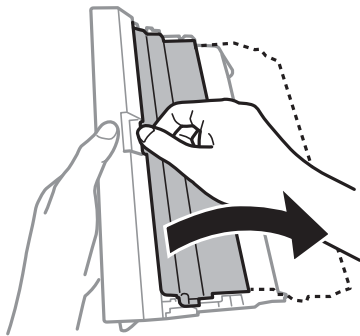


3. Remove jammed paper from the rear cover.

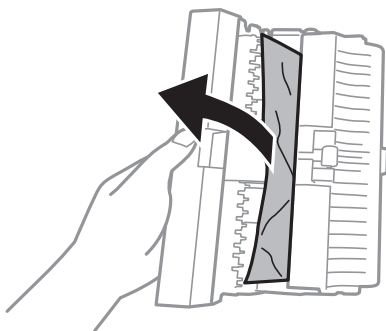


Solving Problems

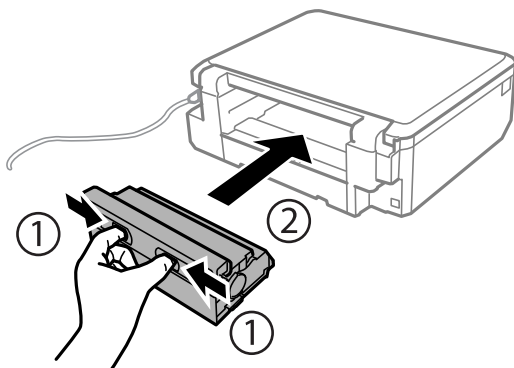
4. Open the cover of the rear cover.



5. Remove the jammed paper.



6. Close the cover of the rear cover, and then insert the rear cover in the printer.



Paper Does Not Feed Correctly

Check the following points, and then take the appropriate actions to solve the problem.

- Place the printer on a flat surface and operate in the recommended environmental conditions.
- Use paper supported by this printer.
- Follow the paper handling precautions.
- Do not load more than the maximum number of sheets specified for the paper. For plain paper, do not load above the line indicated by the triangle symbol on the edge guide.
- Make sure the paper size and paper type settings match the actual paper size and paper type loaded in the printer.

Solving Problems

Related Information

- ➔ [“Environmental Specifications” on page 194](#)
- ➔ [“Paper Handling Precautions” on page 37](#)
- ➔ [“Available Paper and Capacities” on page 38](#)
- ➔ [“List of Paper Types” on page 39](#)

Paper Jams

- Load paper in the correct direction, and slide the edge guides against the edges of the paper.
- Load one sheet of paper at a time if you have loaded several sheets of paper.

Related Information

- ➔ [“Removing Jammed Paper” on page 157](#)
- ➔ [“Loading Paper in the Paper Cassette 1” on page 41](#)
- ➔ [“Loading Paper in the Paper Cassette 2” on page 45](#)
- ➔ [“Loading Paper in the Rear Paper Feed Slot” on page 49](#)

Paper Feeds at a Slant

Load paper in the correct direction, and slide the edge guides against the edges of the paper.

Related Information

- ➔ [“Loading Paper in the Paper Cassette 1” on page 41](#)
- ➔ [“Loading Paper in the Paper Cassette 2” on page 45](#)
- ➔ [“Loading Paper in the Rear Paper Feed Slot” on page 49](#)

Several Sheets of Paper are Fed at a Time

- Load one sheet of paper at a time.
- When several sheets of paper are fed at a time during manual 2-sided printing, remove any paper which is loaded in the printer before you reload the paper.

Paper is Ejected from the Rear Paper Feed Slot Without Being Printed

If you load paper before the rear paper feed slot is ready, the paper is ejected without being printed. Send the print job first, and then load paper when the printer prompts you to do so.

CD/DVD Tray is Ejected

- Make sure the disc is properly set on the tray and reinsert the tray correctly.

Solving Problems


- Do not insert the CD/DVD tray until you are instructed to do so. Otherwise, an error occurs and the tray is ejected.

Related Information

- ➔ [“Printing Photos from a Memory Card onto a CD/DVD Label” on page 62](#)
- ➔ [“Copying on a CD/DVD Label” on page 101](#)

Power and Control Panel Problems

Power Does Not Turn On

- Make sure the power cord is securely plugged in.
- Hold down the  button for a little longer.



Lights Came On and then Went Out

The printer's voltage may not match the outlet rating. Turn off the printer and unplug it immediately. Then check the label on the printer.

**Caution:**

If the voltage does not match, DO NOT PLUG YOUR PRINTER BACK IN. Contact your dealer.

Power Does Not Turn Off

Hold down the  button for a little longer. If you still cannot turn off the printer, unplug the power cord. To prevent the print head from drying out, turn the printer back on and turn it off by pressing the  button.

Power Turns Off Automatically

- Select **Power Off Settings** in **Printer Setup**, and then disable the **Power Off If Inactive** and **Power Off If Disconnected** settings.
- Disable the **Power Off Timer** setting in **Printer Setup**.

Note:

*Your product may have the **Power Off Settings** or **Power Off Timer** feature depending on the location of purchase.*

Related Information

- ➔ [“Menu Options for Printer Setup” on page 136](#)

LCD Screen Gets Dark

The printer is in sleep mode. Press any button on the control panel to return the LCD screen to its former state.

The Auto Power On Feature does not Work

- Make sure that the **Auto Power On** setting in **Printer Setup** has been enabled.
- Make sure that the printer is properly connected with a USB cable or to a network.

Related Information

➔ [“Menu Options for Printer Setup” on page 136](#)

Cannot Print from a Computer

Checking the connection

- Connect the USB cable securely to the printer and the computer.
- If you are using a USB hub, try to connect the printer directly to the computer.
- If you cannot print over a network, see the page that describes the network connection method from the computer.

Checking the software and data

- Install the printer driver.
- If you are printing a large data size image, the computer may run out of memory. Print the image at a lower resolution or a smaller size.

Checking the printer status from the computer (Windows)

Click **Print Queue** on the printer driver's **Maintenance** tab, and then check the following.

- Check if there are any paused print jobs.
Cancel printing if necessary.
- Make sure the printer is not offline or pending.
If the printer is offline or pending, clear the offline or pending setting from the **Printer** menu.
- Make sure the printer is selected as the default printer from the **Printer** menu (there should be a check mark on the menu item).
If the printer is not selected as the default printer, set it as the default printer.
- Make sure the printer port is selected correctly in **Property > Port** from the **Printer** menu as follows.
Select "**USBXXX**" for a USB connection, or "**EpsonNet Print Port**" for a network connection.

Checking the printer status from the computer (Mac OS)

Make sure the printer status is not **Pause**.

Select **System Preferences** from the  menu > **Printers & Scanners** (or **Print & Scan**, **Print & Fax**), and then double-click the printer. If the printer is paused, click **Resume** (or **Resume Printer**).

Related Information

- ➔ [“Connecting to a Computer” on page 22](#)
- ➔ [“Installing Applications” on page 154](#)
- ➔ [“Canceling Printing” on page 96](#)

When You Cannot Make Network Settings

- ❑ Turn off the devices you want to connect to the network. Wait for about 10 seconds, and then turn on the devices in the following order; access point, computer or smart device, and then printer. Move the printer and computer or smart device closer to the access point to help with radio wave communication, and then try to make network settings again.
- ❑ Select **Settings > Network Settings > Connection Check**, and then print the network connection report. If an error has occurred, check the network connection report and then follow the printed solutions.

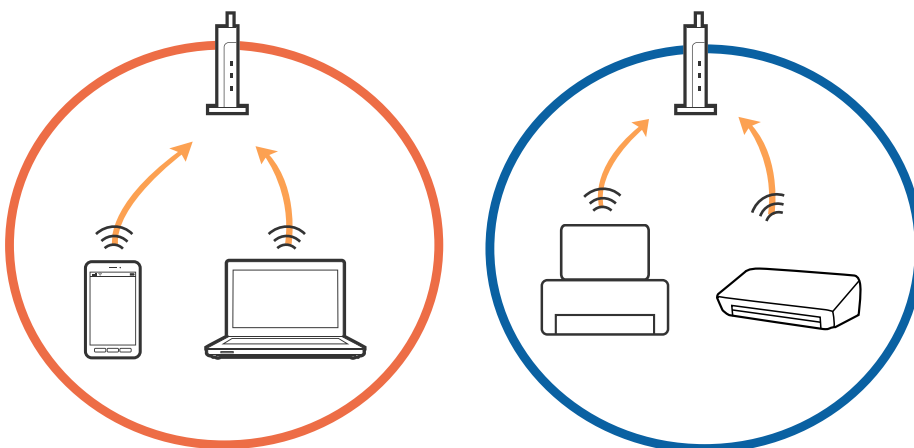
Related Information

- ➔ [“Printing a Network Connection Report” on page 29](#)
- ➔ [“Cannot Connect from Devices Even Though Network Settings are No Problem” on page 166](#)

Cannot Connect from Devices Even Though Network Settings are No Problem

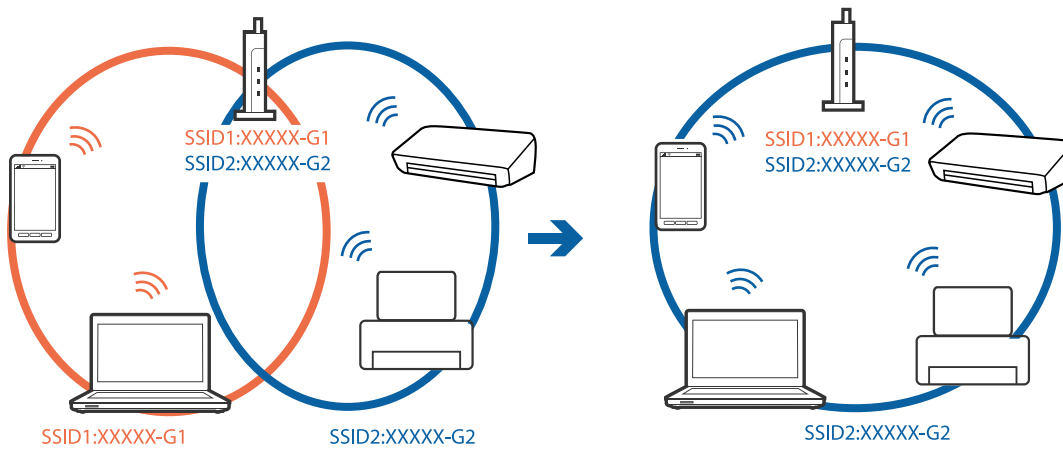
If you cannot connect from the computer or smart device to the printer even though the network connection report does not show any problems, see the following.

- ❑ When you are using multiple access points at the same time, you may not be able to use the printer from the computer or smart device depending on the settings of the access points. Connect the computer or smart device to the same access point as the printer.

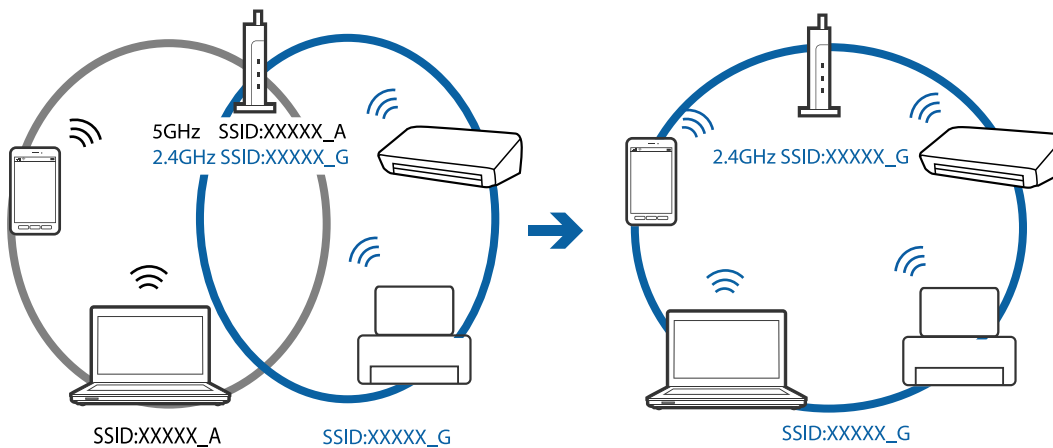


Solving Problems

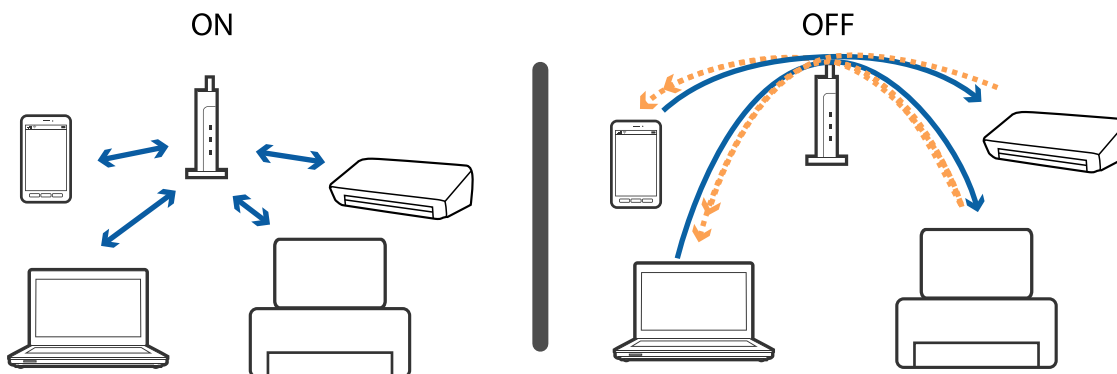
- ❑ You may not be able to connect to the access point when the access point has multiple SSIDs and devices are connected to different SSIDs on the same access point. Connect the computer or smart device to the same SSID as the printer.



- ❑ An access point that is compliant with both IEEE802.11a and IEEE802.11g has SSIDs of 2.4 GHz and 5 GHz. If you connect the computer or smart device to a 5 GHz SSID, you cannot be able to connect to the printer because the printer only supports communication over 2.4 GHz. Connect the computer or smart device to the same SSID as the printer.



- ❑ Most access points have a privacy separator feature that blocks the communication from unauthorized devices. If you cannot connect to the network even if the devices and access point are connected to the same SSID, disable the privacy separator on the access point. See the manual provided with the access point for details.



Solving Problems

Related Information


- ➔ [“Checking the SSID Connected to the Printer” on page 168](#)
- ➔ [“Checking the SSID for the Computer” on page 168](#)

Checking the SSID Connected to the Printer

Select **Settings** > **Network Settings** > **Network Status**. SSIDs are displayed on each Wi-Fi network and Wi-Fi Direct network.

Checking the SSID for the Computer

Windows

Click  in the task tray on the desktop. Check the name of the connected SSID from the list displayed.



Solving Problems

Mac OS X

Click the Wi-Fi icon at the top of the computer screen. A list of SSIDs is displayed and the connected SSID is indicated with a check mark.



Suddenly the Printer Cannot Print over a Network Connection

- When you have changed your access point or provider, try making network settings for the printer again. Connect the computer or smart device to the same SSID as the printer.
- Turn off the devices you want to connect to the network. Wait for about 10 seconds, and then turn on the devices in the following order; access point, computer or smart device, and then printer. Move the printer and computer or smart device closer to the access point to help with radio wave communication, and then try to make network settings again.
- In Windows, click **Print Queue** on the printer driver's **Maintenance** tab, and then check the following.
 - Check if there are any paused print jobs. Cancel printing if necessary.
 - Make sure the printer is not offline or pending. If the printer is offline or pending, clear the offline or pending setting from the **Printer** menu.
 - Make sure the printer is selected as the default printer from the **Printer** menu (there should be a check mark on the menu item).
If the printer is not selected as the default printer, set it as the default printer.
 - Check if the selected port is correct in **Printer Properties > Port**
- Select **Settings > Network Settings > Connection Check**, and then print the network connection report. If the report shows that the network connection failed, check the network connection report and then follow the printed solutions.
- Try accessing any website from your computer to make sure that your computer's network settings are correct. If you cannot access any website, there is a problem on the computer. See the manual provided with your computer for more details.

Related Information

- ➔ [“Checking the SSID Connected to the Printer” on page 168](#)
- ➔ [“Checking the SSID for the Computer” on page 168](#)

- ➔ [“Printing a Network Connection Report” on page 29](#)
- ➔ [“Printing a Network Connection Report” on page 29](#)

Suddenly the Printer Cannot Print Using a USB Connection

- Disconnect the USB cable from the computer. Right-click on the printer icon displayed on the computer, and then select **Remove Device**. Next, connect the USB cable to the computer and try a test print. If printing is possible, the setup is complete.
- Re-set the USB connection following the steps in [Changing a Connection Method to a Computer] in this manual.

Related Information

- ➔ [“Changing the Connection Method to a Computer” on page 34](#)

Cannot Print from an iPhone or iPad

- Connect the iPhone or iPad to the same network (SSID) as the printer.
- Enable **Paper Configuration** in the following menus.
Settings > Printer Setup > Paper Source Setting > Paper Configuration
- Enable the AirPrint setting on Web Config.

Related Information

- ➔ [“Connecting to a Smart Device” on page 23](#)
- ➔ [“Web Config” on page 142](#)

Printout Problems

Printout is Scuffed or Color is Missing

- If you have not used the printer for a long time, the print head nozzles may be clogged and ink drops may not be discharged. Perform a nozzle check, and then clean the print head if any of the print head nozzles are clogged.
- If you printed when the ink levels were too low to be seen in the ink tank windows, refill the ink tanks to the upper lines and then use the **Power Cleaning** utility to replace the ink inside the ink tubes. After you use the utility, perform a nozzle check to see if print quality has improved.

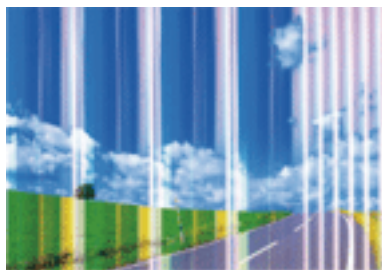
Related Information

- ➔ [“Checking and Cleaning the Print Head” on page 127](#)
- ➔ [“Refilling the Ink Tanks” on page 120](#)

Solving Problems

➔ [“Running Power Cleaning” on page 128](#)

Banding or Unexpected Colors Appear



The print head nozzles may be clogged. Perform a nozzle check to check if the print head nozzles are clogged. Clean the print head if any of the print head nozzles are clogged.

Related Information

➔ [“Checking and Cleaning the Print Head” on page 127](#)

Colored Banding Appears at Intervals of Approximately 2.5 cm



- Select the appropriate paper type setting for the type of paper loaded in the printer.
- Align the print head using the **Horizontal Alignment** feature.
- When printing on plain paper, print using a higher quality setting.

Related Information

➔ [“List of Paper Types” on page 39](#)

➔ [“Aligning the Print Head - Control Panel” on page 130](#)

Blurry Prints, Vertical Banding, or Misalignment



enthalten alle
Aufdruck. W
5008 "Regel

Align the print head using the **Vertical Alignment** feature.

Related Information

➔ [“Aligning the Print Head - Control Panel”](#) on page 130

Print Quality Does Not Improve Even After Aligning the Print Head

During bidirectional (or high speed) printing, the print head prints while moving in both directions, and vertical lines may be misaligned. If print quality does not improve, disable the bidirectional (or high speed) setting. Disabling this setting may slow down printing speed.


Control panel

Disable **Bidirectional** in the print settings.

Windows

Clear **High Speed** on the printer driver's **More Options** tab.

Mac OS

Select **System Preferences** from the  menu > **Printers & Scanners** (or **Print & Scan, Print & Fax**), and then select the printer. Click **Options & Supplies** > **Options** (or **Driver**). Select **Off** as the **High Speed Printing** setting.

Related Information

➔ [“Menu Options for Paper and Print Settings”](#) on page 70

Print Quality is Poor

Check the following if the print quality is poor due to blurry prints, banding, missing colors, faded colors, and misalignment in the prints.

Checking the printer

- Make sure the initial ink charging is complete.
- Refill the ink tank if the ink level is below the lower line.
- Perform a nozzle check, and then clean the print head if any of the print head nozzles are clogged.
- Align the print head.

Solving Problems

Checking the paper

- Use paper supported by this printer.
- Do not print on paper that is damp, damaged, or too old.
- If the paper is curled or the envelope is puffed up, flatten it.
- Do not stack the paper immediately after printing.
- Dry the printouts completely before filing or displaying them. When drying the printouts, avoid direct sun light, do not use a dryer, and do not touch the printed side of paper.
- When printing images or photos, Epson recommends using genuine Epson paper rather than plain paper. Print on the printable side of the genuine Epson paper.

Checking the print settings

- Select the appropriate paper type setting for the type of paper loaded in the printer.
- Print using a higher quality setting.

Checking the ink bottle

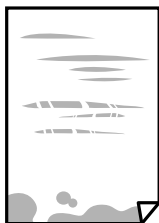
- Use ink bottles with the correct part code for this printer.
- Epson recommends using the ink bottle before the date printed on the package.
- Try to use genuine Epson ink bottles. This product is designed to adjust colors based on the use of genuine Epson ink bottles. The use of non-genuine ink bottles may cause print quality to decline.

Related Information

- ➔ [“Available Paper and Capacities” on page 38](#)
- ➔ [“List of Paper Types” on page 39](#)
- ➔ [“Paper Handling Precautions” on page 37](#)
- ➔ [“Checking and Cleaning the Print Head” on page 127](#)
- ➔ [“Aligning the Print Head - Control Panel” on page 130](#)

Paper Is Smearred or Scuffed


- When horizontal banding appears or the top or bottom of the paper is smearred, load paper in the correct direction and slide the edge guides to the edges of the paper.



Solving Problems

- When vertical banding appears or the paper is smeared, clean the paper path.



- Place the paper on a flat surface to check if it is curled. If it is, flatten it.
- If thick paper is scuffed, enable the reduce scuffing setting. If you enable this setting, print quality may decline or printing may slow down.
 - Control panel
 - Select **Settings** > **Printer Setup** from the home screen, and then enable **Thick Paper**.
 - Windows
 - Click **Extended Settings** on the printer driver's **Maintenance** tab, and then select **Thick Paper and Envelopes**.
 - Mac OS
 - Select **System Preferences** from the  menu > **Printers & Scanners** (or **Print & Scan**, **Print & Fax**), and then select the printer. Click **Options & Supplies** > **Options** (or **Driver**). Select **On** as the **Thick paper and envelopes** setting.
- When performing manual 2-sided printing, make sure that the ink is completely dry before reloading the paper.

Related Information

- ➔ [“Loading Paper in the Paper Cassette 1” on page 41](#)
- ➔ [“Loading Paper in the Paper Cassette 2” on page 45](#)
- ➔ [“Loading Paper in the Rear Paper Feed Slot” on page 49](#)
- ➔ [“Cleaning the Paper Path for Ink Smears” on page 131](#)

Paper is Smeared During Automatic 2-Sided Printing

When using the automatic 2-sided printing feature and printing high density data such as images and graphs, set the print density to lower and the drying time to longer.

Related Information

- ➔ [“Printing on 2-Sides” on page 76](#)
- ➔ [“Menu Options for Copy Mode” on page 97](#)

Printed Photos are Sticky

You may be printing on the wrong side of the photo paper. Make sure you are printing on the printable side.

When printing on the wrong side of the photo paper, you need to clean the paper path.

Solving Problems

Related Information

- ➔ [“Cleaning the Paper Path for Ink Smears” on page 131](#)

Images or Photos are Printed in Unexpected Colors

When printing from the control panel or from the Windows printer driver, the Epson auto photo adjustment setting is applied by default depending on the paper type. Try change the setting.

Control panel

Change the **Scene Detection** setting from **Automatic** to any other option. If changing the setting does not work, select any other option other than **PhotoEnhance** as the **Enhance** setting.

Windows printer driver

On the **More Options** tab, select **Custom** in **Color Correction**, and then click **Advanced**. Change the **Scene Correction** setting from **Auto Correct** to any other option. If changing the setting does not work, use any color correction method other than **PhotoEnhance** in **Color Management**.

Related Information

- ➔ [“Menu Options for Photo Adjustment and Zoom” on page 71](#)
- ➔ [“Adjusting the Print Color” on page 89](#)

Colors Differ from What You See on the Display

- Display devices such as computer screens have their own display properties. If the display is unbalanced, the image are not displayed with proper brightness and colors. Adjust the properties of the device. Next, access the printer driver window, select **Custom** as the **Color Correction** setting on the **More Options** tab, and then click **Advanced**. Select **EPSON Standard** as the **Color Mode** setting.
- Light shining into the display has an effect on how the image is seen on the display. Avoid direct sunlight and confirm the image where an appropriate illuminance is assured.
- Colors may differ from what you see on smart devices such as smart phones or tablets with high-resolution displays.
- Colors on a display are not quite identical to those on paper because the display device and the printer have a different process of producing colors.

Cannot Print Without Margins

Make borderless setting in the print settings. If you select a paper type that does not support borderless printing, you cannot select **Borderless**. Select a paper type that supports borderless printing.

Related Information

- ➔ [“Menu Options for Paper and Print Settings” on page 70](#)
- ➔ [“Menu Options for Copy Mode” on page 97](#)
- ➔ [“Printing Basics - Windows” on page 72](#)
- ➔ [“Printing Basics - Mac OS” on page 74](#)

Edges of the Image are Cropped During Borderless Printing

During borderless printing, the image is slightly enlarged and the protruding area is cropped. Select a smaller enlargement setting.

- Control panel
 - Change the **Expansion** setting.
- Windows
 - Click **Settings** next to the **Borderless** checkbox on the printer driver's **Main** tab, and then change the settings.
- Mac OS
 - Change the **Expansion** setting from the print dialog's **Print Settings** menu.

Related Information

- ➔ [“Menu Options for Paper and Print Settings” on page 70](#)
- ➔ [“Menu Options for Copy Mode” on page 97](#)

The Position, Size, or Margins of the Printout Are Incorrect

- Load paper in the correct direction, and slide the edge guides against the edges of the paper.
- When placing the originals on the scanner glass, align the corner of the original with the corner indicated by a symbol on the frame of the scanner glass. If the edges of the copy are cropped off, move the original slightly away from the corner.
- When placing the originals on the scanner glass, clean the scanner glass and the document cover. If there is dust or stains on the glass, the copy area may extend to include the dust or stains, resulting in the wrong copying position or small images.
- Select the appropriate paper size setting.
- Adjust the margin setting in the application so that it falls within the printable area.

Related Information

- ➔ [“Loading Paper in the Paper Cassette 1” on page 41](#)
- ➔ [“Loading Paper in the Paper Cassette 2” on page 45](#)
- ➔ [“Loading Paper in the Rear Paper Feed Slot” on page 49](#)
- ➔ [“Cleaning the Scanner Glass” on page 132](#)
- ➔ [“Printable Area” on page 187](#)

Multiple Originals are Copied onto a Single Sheet

When you place multiple originals on the scanner glass to copy them separately, but they are copied onto a single sheet, place the originals at least 5 mm apart. If the problem continues, place one original at a time.

Related Information

- ➔ [“Placing Photos for Copying” on page 54](#)

Printing Position of Photo Stickers is Incorrect

Adjust the printing position in the **Printer Setup** > **Stickers** menu on the control panel.

Related Information

➔ [“Menu Options for Printer Setup” on page 136](#)

Printing Position on a CD/DVD is Incorrect

Adjust the printing position in the **Printer Setup** > **CD/DVD** menu on the control panel.

Related Information

➔ [“Menu Options for Printer Setup” on page 136](#)

Printed Characters Are Incorrect or Garbled

- Connect the USB cable securely to the printer and the computer.
- Cancel any paused print jobs.
- Do not put the computer manually into the **Hibernate** mode or the **Sleep** mode while printing. Pages of garbled text may be printed next time you start the computer.

Related Information

➔ [“Canceling Printing” on page 96](#)

The Printed Image Is Inverted

Clear any mirror image settings in the printer driver or the application.

- Windows
 - Clear **Mirror Image** on the printer driver's **More Options** tab.
- Mac OS
 - Clear **Mirror Image** from the print dialog's **Print Settings** menu.

Mosaic-Like Patterns in the Prints

When printing images or photos, print using high-resolution data. Images on websites are often low resolution although they look good enough on the display, and so print quality may decline.

Uneven Colors, Smears, Dots, or Straight Lines Appear in the Copied Image

- Clean the paper path.

Solving Problems

- Clean the scanner glass.
- Do not press too hard on the original or the document cover when you are placing the originals on the scanner glass.
- When the paper is smeared, lower the copy density setting.

Related Information

- ➔ [“Cleaning the Paper Path for Ink Smears” on page 131](#)
- ➔ [“Cleaning the Scanner Glass” on page 132](#)
- ➔ [“Menu Options for Copy Mode” on page 97](#)

Moiré (Cross-Hatch) Patterns Appear in the Copied Image

Change the reduce and enlarge setting or place the original at a slightly different angle.

Related Information

- ➔ [“Menu Options for Copy Mode” on page 97](#)

An Image of the Reverse Side of the Original Appears in the Copied Image

- For a thin original, place the original on the scanner glass and then place a piece of black paper over it.
- Lower the copy density setting on the control panel.

Related Information

- ➔ [“Menu Options for Copy Mode” on page 97](#)

The Printout Problem Could Not be Cleared

If you have tried all of the solutions and have not solved the problem, try uninstalling and then reinstalling the printer driver.

Related Information



- ➔ [“Uninstalling Applications” on page 152](#)
- ➔ [“Installing Applications” on page 154](#)

Other Printing Problems

Printing Is Too Slow

- Close any unnecessary applications.

Solving Problems

- ❑ Lower the quality setting. High quality printing slows down the printing speed.
- ❑ Enable the bidirectional (or high speed) setting. When this setting is enabled, the print head prints while moving in both directions, and the printing speed increases.
 - ❑ Control panel
Enable **Bidirectional** in the print settings.
 - ❑ Windows
Select **High Speed** on the printer driver's **More Options** tab.
 - ❑ Mac OS
Select **System Preferences** from the  menu > **Printers & Scanners** (or **Print & Scan, Print & Fax**), and then select the printer. Click **Options & Supplies > Options** (or **Driver**). Select **On** as the **High Speed Printing** setting.
- ❑ Disable **Quiet Mode**.
 - ❑ Control panel
From the home screen, select **Quiet Mode**, and then disable it.
 - ❑ Windows
Disable the **Quiet Mode** setting on the printer driver's **Main** tab.
 - ❑ Mac OS
Select **System Preferences** from the  menu > **Printers & Scanners** (or **Print & Scan, Print & Fax**), and then select the printer. Click **Options & Supplies > Options** (or **Driver**). Select **Off** as the **Quiet Mode** setting.

Related Information


- ➔ [“Menu Options for Paper and Print Settings” on page 70](#)

Printing Slows Down Dramatically During Continuous Printing

Printing slows down to prevent the printer mechanism from overheating and being damaged. However, you can continue printing. To return to normal printing speed, leave the printer idle for at least 30 minutes. Printing speed does not return to normal if the power is off.

Cannot Cancel Printing from a Computer Running Mac OS X v10.6.8

If you want to stop printing from your computer, make the following settings.

Run Web Config, and then select **Port9100** as the **Top Priority Protocol** setting in **AirPrint Setup**. Select **System Preferences** from the  menu > **Printers & Scanners** (or **Print & Scan, Print & Fax**), remove the printer, and then add the printer again.

Related Information

- ➔ [“Web Config” on page 142](#)

Cannot Start Scanning

- ❑ Connect the USB cable securely to the printer and the computer. If you are using a USB hub, try to connect the printer directly to the computer.
- ❑ If you scan at a high resolution over a network, a communication error may occur. Lower the resolution.
- ❑ Make sure that the correct printer (scanner) is selected on Epson Scan 2.

Check whether or not the printer is recognized when using Windows

In Windows, make sure the printer (scanner) is displayed in **Scanner and Camera**. The printer (scanner) should be displayed as "EPSON XXXXX (printer name)". If the printer (scanner) is not displayed, uninstall and then re-install Epson Scan 2. See the following to access **Scanner and Camera**.

❑ Windows 10

Right-click the start button or press and hold it, select **Control Panel**, enter "Scanner and Camera" in the search charm, click **View scanners and cameras**, and then check if the printer is displayed.

❑ Windows 8.1/Windows 8

Select **Desktop > Settings > Control Panel**, enter "Scanner and Camera" in the search charm, click **Show Scanner and Camera**, and then check if the printer is displayed.

❑ Windows 7

Click the start button and select **Control Panel**, enter "Scanner and Camera" in the search charm, click **View scanners and cameras**, and then check if the printer is displayed.

❑ Windows Vista

Click the start button, select **Control Panel > Hardware and Sound > Scanners and Cameras**, and then check if the printer is displayed.

❑ Windows XP

Click the start button, select **Control Panel > Printers and Other Hardware > Scanner and Cameras**, and then check if the printer is displayed.

Related Information

- ➔ ["Uninstalling Applications" on page 152](#)
- ➔ ["Installing Applications" on page 154](#)

Cannot Start Scanning when Using the Control Panel

- ❑ Make sure Epson Scan 2 and Epson Event Manager are installed correctly.
- ❑ Check the scanning setting assigned in Epson Event Manager.

Related Information

- ➔ ["Epson Scan 2 \(Scanner Driver\)" on page 150](#)
- ➔ ["Epson Event Manager" on page 150](#)

Scanned Image Problems

Uneven Colors, Dirt, Spots, and so on Appear when Scanning from the Scanner Glass

- Clean the scanner glass.
- Remove any trash or dirt that adheres to the original.
- Do not press with too much force on the original or the document cover. If you press with too much force, blurring, smudges, and spots may occur.

Related Information

- ➔ [“Cleaning the Scanner Glass” on page 132](#)

The Image Quality Is Rough

- Set the **Mode** in Epson Scan 2 according to the original you want to scan. Scan using the settings for documents in **Document Mode**, and the settings for photos in **Photo Mode**.
- In Epson Scan 2, adjust the image using items on the **Advanced Settings** tab, and then scan.
- If the resolution is low, try increasing the resolution and then scanning.

Related Information

- ➔ [“Scanning Using Epson Scan 2” on page 108](#)

Offset Appears in the Background of Images

Images on the back of the original may appear in the scanned image.

- In Epson Scan 2, select the **Advanced Settings** tab, and then adjust the **Brightness**.
This feature may not be available depending on the settings on the **Main Settings** tab > **Image Type** or other settings on the **Advanced Settings** tab.
- In **Document Mode** in Epson Scan 2, select the **Advanced Settings** tab, and then **Image Option** > **Text Enhancement**.
- When scanning from the scanner glass, place black paper or a desk pad over the original.

Related Information

- ➔ [“Placing Originals on the Scanner Glass” on page 53](#)
- ➔ [“Scanning Using Epson Scan 2” on page 108](#)

Text is Blurred

- In **Document Mode** in Epson Scan 2, select the **Advanced Settings** tab, and then **Image Option** > **Text Enhancement**.

Solving Problems

- ❑ Select **Document Mode** as the **Mode** in Epson Scan 2. Scan using the settings for documents in **Document Mode**.
- ❑ In **Document Mode** in Epson Scan 2, when **Image Type** on the **Main Settings** tab is set to **Black & White**, adjust **Threshold** on the **Advanced Settings** tab. When you increase the **Threshold**, the black color area becomes larger.
- ❑ If the resolution is low, try increasing the resolution and then scanning.

Related Information

- ➔ [“Scanning Documents \(Document Mode\)” on page 109](#)

Moiré Patterns (Web-Like Shadows) Appear

If the original is a printed document, moiré patterns (web-like shadows) may appear in the scanned image.

- ❑ On the **Advanced Settings** tab in Epson Scan 2, set **Descreening**.



- ❑ Change the resolution, and then scan again.

Related Information

- ➔ [“Scanning Using Epson Scan 2” on page 108](#)

Cannot Scan the Correct Area on the Scanner Glass

- ❑ Make sure the original is placed correctly against the alignment marks.
- ❑ If the edge of the scanned image is missing, move the original slightly away from the edge of the scanner glass.
- ❑ When placing multiple originals on the scanner glass, make sure there is a gap of at least 20 mm (0.79 in.) between the originals.
- ❑ When scanning from the control panel and selecting the auto scan area cropping function, remove any trash or dirt from the scanner glass and document cover. If there is any trash or dirt around the original, the scanning range expands to include it.

Related Information

- ➔ [“Placing Originals on the Scanner Glass” on page 53](#)

Cannot Preview in Thumbnail

- ❑ When placing multiple originals on the scanner glass, make sure there is a gap of at least 20 mm (0.79 in.) between the originals.

Solving Problems

- Check that the original is placed straight.
- Depending on the original, previewing may not be performed in **Thumbnail**. In this situation, scan in **Normal** preview, and then create marquees manually.

Related Information

➔ [“Scanning Photos or Pictures \(Photo Mode\)” on page 111](#)

Text is Not Recognized Correctly when Saving as a Searchable PDF

- On the **Image Format Options** window in Epson Scan 2, check that **Text Language** is set correctly on the **Text** tab.
- Check that the original is placed straight.
- Use an original with clear text. Text recognition may decline for the following types of originals.
 - Originals that have been copied a number of times
 - Originals received by fax (at low resolutions)
 - Originals on which the letter spacing or line spacing is too small
 - Originals with ruled lines or underlining over the text
 - Originals with hand-written text
 - Originals with creases or wrinkles
- In **Document Mode** in Epson Scan 2, when **Image Type** on the **Main Settings** tab is set to **Black & White**, adjust **Threshold** on the **Advanced Settings** tab. When you increase the **Threshold**, black becomes stronger.
- In **Document Mode** in Epson Scan 2, select the **Advanced Settings** tab, and then **Image Option > Text Enhancement**.

Related Information

➔ [“Scanning Documents \(Document Mode\)” on page 109](#)

Cannot Solve Problems in the Scanned Image

If you have tried all of the solutions and have not solved the problem, initialize the Epson Scan 2 settings using Epson Scan 2 Utility.

Note:

Epson Scan 2 Utility is an application that comes with Epson Scan 2.

1. Start Epson Scan 2 Utility.
 - Windows 10
Click the start button, and then select **EPSON > Epson Scan 2 Utility**.
 - Windows 8.1/Windows 8
Enter the application name in the search charm, and then select the displayed icon.
 - Windows 7/Windows Vista/Windows XP
Click the start button, and then select **All Programs or Programs > EPSON > Epson Scan 2 > Epson Scan 2 Utility**.

Solving Problems

- ❑ Mac OS

Select **Go > Applications > Epson Software > Epson Scan 2 Utility**.

2. Select the **Other** tab.
3. Click **Reset**.

Note:


If initialization does not solve the problem, uninstall and re-install Epson Scan 2.

Related Information

- ➔ [“Uninstalling Applications” on page 152](#)
- ➔ [“Installing Applications” on page 154](#)

Other Scanning Problems

Scanning Speed Is Slow

- ❑ Lower the resolution, and then scan again. When the resolution is high, scanning may take some time.
- ❑ The scanning speed may be reduced depending on the image adjustment features in Epson Scan 2.
- ❑ On the **Configuration** screen which is displayed by clicking the  button in Epson Scan 2, if you set **Quiet Mode** on the **Scan** tab, the scanning speed may be reduced.

Related Information

- ➔ [“Scanning Using Epson Scan 2” on page 108](#)
- ➔ [“Menu Options for Scanning” on page 108](#)

Scanning Stops when Scanning to PDF/Multi-TIFF

- ❑ When scanning using Epson Scan 2, you can continuously scan up to 999 pages in PDF format and up to 200 pages in Multi-TIFF format.
- ❑ When scanning large volumes, we recommend scanning in grayscale.
- ❑ Increase the free space on the computer's hard disk. Scanning may stop if there is not enough free space.
- ❑ Try scanning at a lower resolution. Scanning stops if the total data size reaches the limit.

Related Information

- ➔ [“Scanning Using Epson Scan 2” on page 108](#)

Other Problems

Slight Electric Shock when Touching the Printer

If many peripherals are connected to the computer, you may feel a slight electric shock when touching the printer. Install a ground wire to the computer that is connected to the printer.

Operation Sounds Are Loud

If operations sounds are too loud, enable **Quiet Mode**. Enabling this feature may reduce printing speed.


Control Panel

From the home screen, select **Quiet Mode**, and then enable it.


Windows

Enable **Quiet Mode** on the **Main** tab in the printer driver.

Mac OS

Select **System Preferences** from the  menu > **Printers & Scanners** (or **Print & Scan, Print & Fax**), and then select the printer. Click **Options & Supplies > Options** (or **Driver**). Select **On** as the **Quiet Mode** setting.

Epson Scan 2

Click the  button to open the **Configuration** window. Next, set the **Quiet Mode** on the **Scan** tab.

Cannot Save the Data to a Memory Card

Use a memory card which is supported by the printer.

Check that the memory card is not write protected.

Check that the memory card has enough available memory. If the available memory is low, data cannot be saved.

Related Information

➔ [“Supported External Storage Device Specifications” on page 192](#)

Application Is Blocked by a Firewall (for Windows Only)

Add the application to the Windows Firewall allowed program in security settings on the **Control Panel**.


"?" Is Displayed on the Photo Selection Screen

"?" is displayed on the LCD screen when the image file is not supported by the product.

Related Information

➔ [“Supported Data Specifications” on page 192](#)

A Message Prompting You to Reset the Ink Levels is Displayed

Refill all or the specified ink tanks, select the color that you refilled on the LCD screen, and then press the  button to reset the ink levels.

Depending on the usage conditions, the message may be displayed when there is still ink in the tank.

Related Information

➔ [“Refilling the Ink Tanks” on page 120](#)

Ink Spilled

- If ink adheres to the area around the tank, wipe it off using a napless, clean cloth or cotton swab.
- If ink spills on the desk or floor, wipe it off immediately. When ink is dried, it will be difficult to remove the smear. To prevent the smear from spreading, blot the ink with a dry cloth, and then wipe it with a moist cloth.
- If ink gets on your hands, wash them with water and soap.

Appendix

Technical Specifications

Printer Specifications

Print Head Nozzle Placement		Black ink nozzles: 360 Photo black ink nozzles: 180 Color ink nozzles: 180 for each color
Weight of Paper*	Plain Paper	64 to 90 g/m ² (17 to 24lb)
	Envelopes	Envelope #10, DL, C6: 75 to 90 g/m ² (20 to 24 lb)

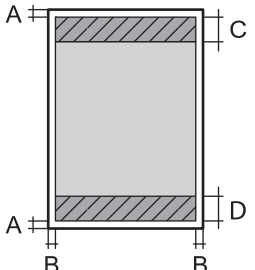
* Even when the paper thickness is within this range, the paper may not feed in the printer or the print quality may decline depending on the paper properties or quality.

Printable Area

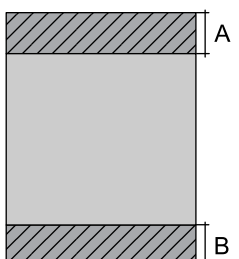
Printable Area for Single Sheets

Print quality may decline in the shaded areas due to the printer's mechanism.

Printing with borders

	A	3.0 mm (0.12 in.)
	B	3.0 mm (0.12 in.)
	C	41.0 mm (1.61 in.)
	D	37.0 mm (1.46 in.)

Borderless printing

	A	44.0 mm (1.73 in.)
	B	40.0 mm (1.57 in.)

Appendix

Printable Area for Envelopes

Print quality may decline in the shaded areas due to the printer's mechanism.

	A	3.0 mm (0.12 in.)
	B	5.0 mm (0.20 in.)
	C	18.0 mm (0.70 in.)
	D	41.0 mm (1.61 in.)

Printable Area for CD/DVD

Print quality may decline in the shaded areas due to the printer's mechanism.

	A	18 mm (0.71 in.)
	B	43 mm (1.69 in.)
	C	116 mm (4.57 in.)
	D	120 mm (4.72 in.)

Scanner Specifications

Scanner Type	Flatbed
Photoelectric Device	CIS
Maximum Document Size	216×297 mm (8.5×11.7 in.) A4, Letter
Resolution	1200 dpi (main scan) 2400 dpi (sub scan)
Color Depth	<p>Color</p> <ul style="list-style-type: none"> <input type="checkbox"/> 48 bits per pixel internal (16 bits per pixel per color internal) <input type="checkbox"/> 24 bits per pixel external (8 bits per pixel per color external) <p>Grayscale</p> <ul style="list-style-type: none"> <input type="checkbox"/> 16 bits per pixel internal <input type="checkbox"/> 8 bits per pixel external <p>Black and white</p> <ul style="list-style-type: none"> <input type="checkbox"/> 16 bits per pixel internal <input type="checkbox"/> 1 bits per pixel external
Light Source	LED

Appendix

Interface Specifications

For Computer	Hi-Speed USB
For External USB Devices and PictBridge	Hi-Speed USB

Network Function List

Functions		Supported	Remarks	
Network Interfaces	Ethernet	✓	-	
	Wi-Fi	Infrastructure	✓	-
		Ad hoc	-	-
		Wi-Fi Direct (Simple AP)	✓	-
Concurrent Connection	Ethernet and Wi-Fi Direct (Simple AP)	✓	-	
	Wi-Fi (Infrastructure) and Wi-Fi Direct (Simple AP)	✓	-	
Panel Operation	Wi-Fi Setup	Wi-Fi Setup Wizard	✓	-
		Push Button Setup (WPS)	✓	-
		PIN Code Setup	✓	-
		Wi-Fi Auto Connect	✓	-
		Epson iPrint Connection	-	-
		Wi-Fi Direct Setup	✓	-
	General Network Setup (device name, TCP/IP address, DNS server, proxy server)		✓	-
	Network Connection Check		✓	-
	Network Status		✓	-
	Network Status Sheet Printing		✓	-
	Disable Wi-Fi		✓	-
	Restore the Factory Default Settings		✓	-
	File Sharing Setup		✓	-

Appendix

Functions			Supported	Remarks
Network Printing	EpsonNet Print (Windows)	IPv4	✓	-
	Standard TCP/IP (Windows)	IPv4, IPv6	✓	-
	WSD Printing (Windows)	IPv4, IPv6	✓	Windows Vista or later
	Bonjour Printing (Mac OS)	IPv4, IPv6	✓	-
	IPP Printing (Windows, Mac OS)	IPv4, IPv6	✓	-
	UPnP Printing	IPv4	-	Information appliance
	PictBridge Printing (Wi-Fi)	IPv4	✓	Digital camera
	Epson Connect (Email Print)	IPv4	✓	-
	AirPrint (iOS, Mac OS)	IPv4, IPv6	✓	iOS 5 or later, Mac OS X v10.7 or later
	Google Cloud Print	IPv4, IPv6	✓	-
Network Scanning	Epson Scan 2	IPv4, IPv6	✓	-
	Event Manager	IPv4	✓	-
	Epson Connect (Scan to Cloud)	IPv4	✓	-
	AirPrint (Scan)	IPv4, IPv6	✓	OS X Mavericks or later
	ADF (AutoReversing)		-	-
Fax	Send a fax	IPv4	-	-
	Receive a fax	IPv4	-	-
	AirPrint (Faxout)	IPv4, IPv6	-	-

Wi-Fi Specifications

Standards	IEEE802.11b/g/n ^{*1*} 2
Frequency Range	2.4 GHz
Maximum Radio-Frequency Power Transmitted	19.8 dBm (EIRP)
Coordination Modes	Infrastructure, Wi-Fi Direct (Simple AP) ^{*3}
Wireless Securities	WEP (64/128bit), WPA2-PSK (AES) ^{*4}

*1 Complies with either IEEE 802.11b/g/n or IEEE 802.11b/g depending on location of purchase.

*2 IEEE802.11n is only available for the HT20.

Appendix

*3 Not supported for IEEE 802.11b.

*4 Complies with WPA2 standards with support for WPA/WPA2 Personal.

Ethernet Specifications

Standards	IEEE802.3i (10BASE-T) ^{*1} IEEE802.3u (100BASE-TX) IEEE802.3az (Energy Efficient Ethernet) ^{*2}
Communication Mode	Auto, 10Mbps Full duplex, 10Mbps Half duplex, 100Mbps Full duplex, 100Mbps Half duplex
Connector	RJ-45

*1 Use a category 5e or higher STP (Shielded twisted pair) cable to prevent risk of radio interference.

*2 The connected device should comply with IEEE802.3az standards.

Security Protocol

SSL/TLS	HTTPS Server/Client, IPPS
---------	---------------------------

Supported Third Party Services

AirPrint	Print	iOS 5 or later/Mac OS X v10.7.x or later
	Scan	OS X Mavericks or later
Google Cloud Print		

External Storage Device Specifications

Supported Memory Card Specifications

Compatible Memory Cards	Maximum Capacities
miniSD [*]	2 GB
miniSDHC [*]	32 GB
microSD [*]	2 GB
microSDHC [*]	32 GB
microSDXC [*]	64 GB
SD	2 GB

Appendix

Compatible Memory Cards	Maximum Capacities
SDHC	32 GB
SDXC	64 GB

* Attach an adapter to fit the memory card slot. Otherwise, the card may get stuck.

Supported memory card voltages

3.3 V type, dual voltage (3.3 V and 5V) type (supply voltage: 3.3 V)

5 V memory cards are not supported.

Maximum supply current: 200 mA

Supported External Storage Device Specifications

Compatible External Storage Devices	Maximum Capacities
CD-R Drive* ¹ DVD-R Drive* ¹ Blu-ray Drive* ¹	CD-ROM* ² /CD-R: 700 MB DVD-ROM* ² /DVD-R: 4.7 GB (CD-RW, DVD+R, DVD±RW, DVD-RAM, and Blu-ray Disc™ are not supported.)
MO Drive* ¹	1.3 GB
HDD* ¹ USB Flash Drive	2 TB (formatted in FAT, FAT32, or exFAT)

*¹ We do not recommend using external USB devices that are powered by USB. Use only external USB devices with independent AC power sources.

*² Read only.

You cannot use the following devices:

- A device that requires a dedicated driver
- A device with security settings (password, encryption, and so on)
- A device with a built-in USB hub

Epson cannot guarantee operations for all externally connected devices.

Supported Data Specifications

File Format	JPEG with the Exif Version 2.3 standard taken by digital cameras DCF* ¹ version 1.0 or 2.0* ² compliant
Image Size	Horizontal: 80 to 10200 pixels Vertical: 80 to 10200 pixels
File Size	Less than 2 GB

Appendix

Maximum Number of Files	9990*3
-------------------------	--------

*1 Design rule for Camera File system.

*2 Photo data stored in the built-in memory of a digital camera is not supported.

*3 Up to 999 files can be displayed at a time. (If the number of files exceeds 999, the files are displayed in groups.)

Note:

"?" is displayed on the LCD screen when the printer cannot recognize the image file. In this situation, if you select a multiple image layout, blank sections will be printed.

Dimensions

Dimensions	<p>Storage</p> <ul style="list-style-type: none"> <input type="checkbox"/> Width: 425 mm (16.7 in.) <input type="checkbox"/> Depth: 359 mm (14.1 in.) <input type="checkbox"/> Height: 161 mm (6.3in.) <p>Printing</p> <ul style="list-style-type: none"> <input type="checkbox"/> Width: 425 mm (16.7 in.) <input type="checkbox"/> Depth: 598 mm (23.5 in.) <input type="checkbox"/> Height: 196 mm (7.7in.)
Weight*	Approx. 8.0 kg (17.6 lb)

* Without the ink, power cord, and the CD/DVD tray.

Electrical Specifications

Model	100 to 240 V Model	100 to 120V Model	220 to 240 V Model
Rated Frequency Range	50 to 60 Hz	50 to 60 Hz	50 to 60 Hz
Rated Current	0.5 to 0.2 A	0.5A	0.3 A
Power Consumption (with USB Connection)	Standalone copying: Approx. 16 W (ISO/IEC24712) Ready mode: Approx. 6.4 W Sleep mode: Approx. 1 W Power off: Approx. 0.2 W	Standalone copying: Approx. 16 W (ISO/IEC24712) Ready mode: Approx. 6.4 W Sleep mode: Approx. 1 W Power off: Approx. 0.1 W	Standalone copying: Approx. 16 W (ISO/IEC24712) Ready mode: Approx. 6.4 W Sleep mode: Approx. 1 W Power off: Approx. 0.2 W

Note:

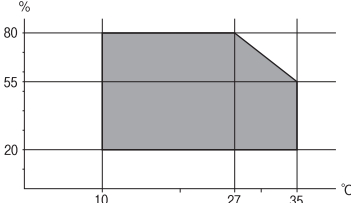
Check the label on the printer for its voltage.

For European users, see the following Website for details on power consumption.

<http://www.epson.eu/energy-consumption>

Appendix

Environmental Specifications

<p>Operation</p>	<p>Use the printer within the range shown in the following graph.</p>  <p>Temperature: 10 to 35°C (50 to 95°F) Humidity: 20 to 80% RH (without condensation)</p>
<p>Storage</p>	<p>Temperature: -20 to 40°C (-4 to 104°F)* Humidity: 5 to 85% RH (without condensation)</p>

* You can store for one month at 40°C (104°F).

Environmental Specifications for Ink Bottles

<p>Storage Temperature</p>	<p>-20 to 40 °C (-4 to 104 °F)*</p>
<p>Freezing Temperature</p>	<p>-15 °C (5 °F) Ink thaws and is usable after approximately 2 hours at 25 °C (77 °F).</p>

* You can store for one month at 40 °C (104 °F).

System Requirements

- Windows 10 (32-bit, 64-bit)/Windows 8.1 (32-bit, 64-bit)/Windows 8 (32-bit, 64-bit)/Windows 7 (32-bit, 64-bit)/Windows Vista (32-bit, 64-bit)/Windows XP SP3 or later (32-bit)/Windows XP Professional x64 Edition SP2 or later
- macOS Sierra/OS X El Capitan/OS X Yosemite/OS X Mavericks/OS X Mountain Lion/Mac OS X v10.7.x/Mac OS X v10.6.8

Note:

- Mac OS may not support some applications and features.
- The UNIX File System (UFS) for Mac OS is not supported.

Regulatory Information

Standards and Approvals

Standards and Approvals for U.S. Model

Safety	UL60950-1 CAN/CSA-C22.2 No.60950-1
EMC	FCC Part 15 Subpart B Class B CAN/CSA-CEI/IEC CISPR 22 Class B

This equipment contains the following wireless module.

Manufacturer: Askey Computer Corporation

Type: WLU6320-D69 (RoHS)

This product conforms to Part 15 of the FCC Rules and RSS-210 of the IC Rules. Epson cannot accept responsibility for any failure to satisfy the protection requirements resulting from a non-recommended modification of the product. Operation is subject to the following two conditions: (1) this device may not cause harmful interference, and (2) this device must accept any interference received, including interference that may cause undesired operation of the device.

To prevent radio interference to the licensed service, this device is intended to be operated indoors and away from windows to provide maximum shielding. Equipment (or its transmit antenna) that is installed outdoors is subject to licensing.

This equipment complies with FCC/IC radiation exposure limits set forth for an uncontrolled environment and meets the FCC radio frequency (RF) Exposure Guidelines in Supplement C to OET65 and RSS-102 of the IC radio frequency (RF) Exposure rules. This equipment should be installed and operated so that the radiator is kept at least 7.9 inches (20 cm) or more away from a person's body (excluding extremities: hands, wrists, feet and ankles).

Standards and Approvals for European Model

For European users

Hereby, Seiko Epson Corporation declares that the following radio equipment model is in compliance with Directive 2014/53/EU. The full text of the EU declaration of conformity is available at the following website.

<http://www.epson.eu/conformity>

C495A

For use only in Ireland, UK, Austria, Germany, Liechtenstein, Switzerland, France, Belgium, Luxemburg, Netherlands, Italy, Portugal, Spain, Denmark, Finland, Norway, Sweden, Iceland, Croatia, Cyprus, Greece, Slovenia, Malta, Bulgaria, Czech, Estonia, Hungary, Latvia, Lithuania, Poland, Romania, and Slovakia.

Epson cannot accept responsibility for any failure to satisfy the protection requirements resulting from a non-recommended modification of the products.



Appendix

Standards and Approvals for Australian Model

EMC	AS/NZS CISPR32 Class B
-----	------------------------

Epson hereby declares that the following equipment Models are in compliance with the essential requirements and other relevant provisions of AS/NZS4268:

C495A

Epson cannot accept responsibility for any failure to satisfy the protection requirements resulting from a non-recommended modification of the products.

Restrictions on Copying

Observe the following restrictions to ensure the responsible and legal use of the printer.

Copying of the following items is prohibited by law:

- Bank bills, coins, government-issued marketable securities, government bond securities, and municipal securities
- Unused postage stamps, pre-stamped postcards, and other official postal items bearing valid postage
- Government-issued revenue stamps, and securities issued according to legal procedure

Exercise caution when copying the following items:

- Private marketable securities (stock certificates, negotiable notes, checks, etc.), monthly passes, concession tickets, etc.
- Passports, driver's licenses, warrants of fitness, road passes, food stamps, tickets, etc.

Note:

Copying these items may also be prohibited by law.

Responsible use of copyrighted materials:

Printers can be misused by improperly copying copyrighted materials. Unless acting on the advice of a knowledgeable attorney, be responsible and respectful by obtaining the permission of the copyright holder before copying published material.

Transporting and Storing the Printer

When you need to store the printer or transport it when moving or for repairs, follow the steps below to pack the printer.



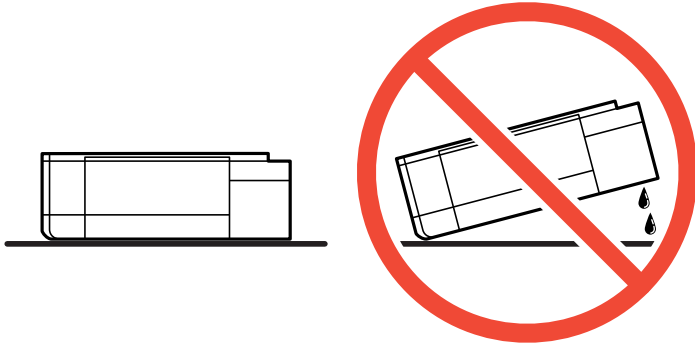
Caution:

Be careful not to trap your hand or fingers when opening or closing the scanner unit. Otherwise you may be injured.

Appendix


! *Important:*

- ❑ When storing or transporting the printer, place the printer in the plastic bag and fold it closed. Avoid tilting the printer, placing it vertically, or turning it upside down; otherwise ink may leak.



- ❑ When storing or transporting an ink bottle, do not tilt the bottle and do not subject it to impacts or temperature changes. Otherwise, ink may leak even if the cap on the ink bottle is tightened securely. Be sure to keep the ink bottle upright when tightening the cap, and take precautions to prevent ink from leaking when transporting the bottle, for example, putting the bottle in a bag.
- ❑ Do not put opened ink bottles in the box with printer.



1. Turn off the printer by pressing the  button.
2. Make sure the power light turns off, and then unplug the power cord.

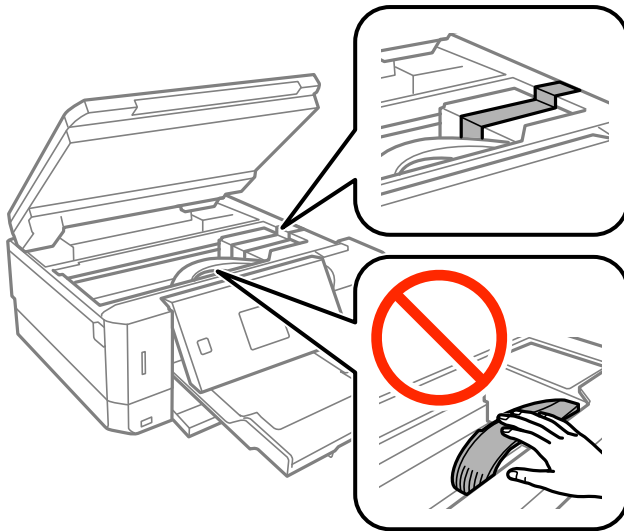
! *Important:*

Unplug the power cord when the power light is off. Otherwise, the print head does not return to the home position causing the ink to dry, and printing may become impossible.

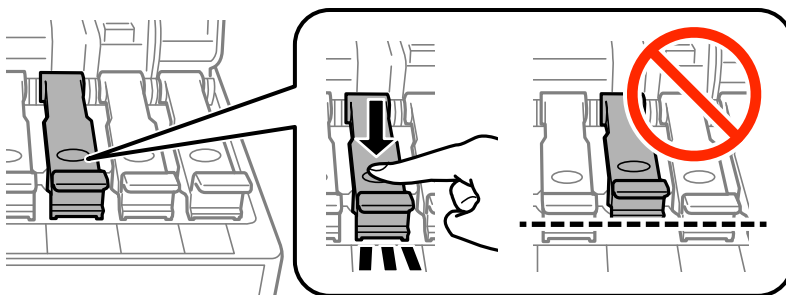
3. Disconnect all cables such as the power cord and USB cable.
4. Make sure there is no memory card inserted.
5. Remove all of the paper from the printer.
6. Make sure there are no originals on the printer.

Appendix

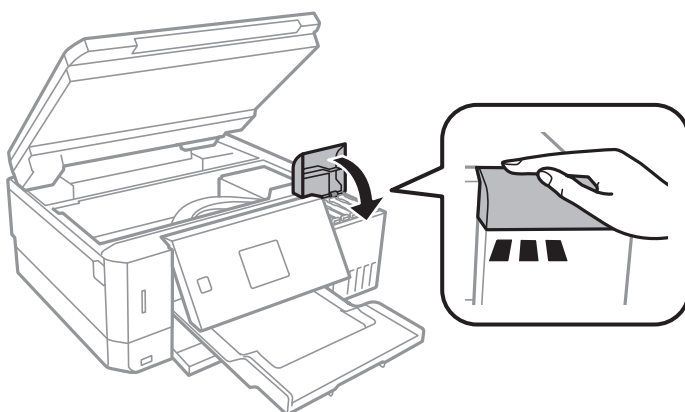
7. Open the scanner unit with the document cover closed. Secure the print head to the case with tape.



8. Make sure to install the cap onto the ink tank securely.

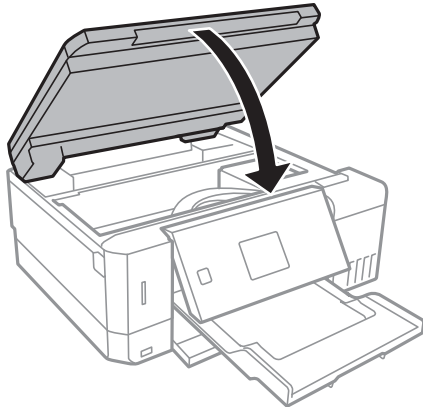


9. Close the Ink Tank Cover securely.

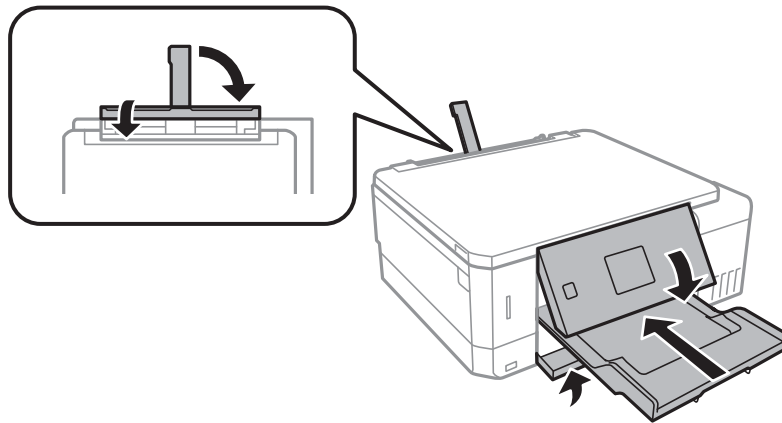


Appendix

10. Close the scanner unit.



11. Prepare to pack the printer as shown below.



12. Place the printer in the plastic bag and fold it closed.
13. Pack the printer in its box using the protective materials.

When you use the printer again, make sure you remove the tape securing the print head. If print quality has declined the next time you print, clean and align the print head.

Related Information

- ➔ [“Part Names and Functions” on page 15](#)
- ➔ [“Checking and Cleaning the Print Head” on page 127](#)
- ➔ [“Aligning the Print Head” on page 130](#)

Accessing a Memory Card From a Computer

You can write or read data on an external storage device such as a memory card that has been inserted in the printer from a computer.

! **Important:**

- ❑ Insert a memory card after removing write protection.
- ❑ If an image is saved to the memory card from a computer, the image and the number of photos are not refreshed on the LCD screen. Remove and insert the memory card again.
- ❑ When sharing an external device inserted in the printer between computers connected over USB and over a network, write access is only allowed to the computers that are connected by the method you selected on the printer. To write to the external storage device, enter **Settings** on the control panel and select **File Sharing Setup** and a connection method.

Note:

It takes a while to recognize data from a computer if a large external storage device, such as 2TB HDD, is connected.

Windows

Select an external storage device in **Computer** or **My Computer**. The data on the external storage device is displayed.

Note:

If you connected the printer to the network without the software disc or Web Installer, map a memory card slot or USB port as a network drive. Open **Run** and enter a printer name \\XXXXX or a printer's IP address \\XXX.XXX.XXX.XXX to **Open**. Right-click a device icon displayed to assign the network. The network drive appears in **Computer** or **My Computer**.

Mac OS

Select a corresponding device icon. The data on the external storage device is displayed.

Note:

- ❑ To remove an external storage device, drag and drop the device icon to the trash icon. Otherwise, data in the shared drive may not be displayed correctly when another external storage device is inserted.
- ❑ To access an external storage device through the network, select **Go > Connect to Server** from the menu on the desktop. Enter a printer name `cifs://XXXXXX` or `smb://XXXXXX` (Where "XXXXXX" is the printer name) in the **Server Address**, and then click **Connect**.

Related Information

- ➔ "Inserting a Memory Card" on page 56
- ➔ "External Storage Device Specifications" on page 191

Where to Get Help

Technical Support Web Site

If you need further help, visit the Epson support website shown below. Select your country or region and go to the support section of your local Epson website. The latest drivers, FAQs, manuals, or other downloadables are also available from the site.

<http://support.epson.net/>

<http://www.epson.eu/Support> (Europe)

If your Epson product is not operating properly and you cannot solve the problem, contact Epson support services for assistance.

Contacting Epson Support

Before Contacting Epson

If your Epson product is not operating properly and you cannot solve the problem using the troubleshooting information in your product manuals, contact Epson support services for assistance. If Epson support for your area is not listed below, contact the dealer where you purchased your product.

Epson support will be able to help you much more quickly if you give them the following information:

- Product serial number
(The serial number label is usually on the back of the product.)
- Product model
- Product software version
(Click **About**, **Version Info**, or a similar button in the product software.)
- Brand and model of your computer
- Your computer operating system name and version
- Names and versions of the software applications you normally use with your product

Note:

Depending on the product, network settings may be stored in the product's memory. Due to breakdown or repair of a product, settings may be lost. Epson shall not be responsible for the loss of any data, for backing up or recovering settings even during a warranty period. We recommend that you make your own backup data or take notes.

Help for Users in Europe

Check your Pan-European Warranty Document for information on how to contact Epson support.

Help for Users in Australia

Epson Australia wishes to provide you with a high level of customer service. In addition to your product manuals, we provide the following sources for obtaining information:

Internet URL

<http://www.epson.com.au>

Access the Epson Australia World Wide Web pages. Worth taking your modem here for the occasional surf! The site provides a download area for drivers, Epson contact points, new product information and technical support (e-mail).

Epson Helpdesk

Phone: 1300-361-054

Epson Helpdesk is provided as a final backup to make sure our clients have access to advice. Operators on the Helpdesk can aid you in installing, configuring and operating your Epson product. Our Pre-sales Helpdesk staff can provide literature on new Epson products and advise where the nearest dealer or service agent is located. Many types of queries are answered here.

Appendix

We encourage you to have all the relevant information on hand when you ring. The more information you prepare, the faster we can help solve the problem. This information includes your Epson product manuals, type of computer, operating system, application programs, and any information you feel is required.

Transportation of Product

Epson recommends retaining product packaging for future transportation. Securing the ink tank with tape and keeping the product upright is also recommended.

Help for Users in New Zealand

Epson New Zealand wishes to provide you with a high level of customer service. In addition to your product documentation, we provide the following sources for obtaining information:

Internet URL

<http://www.epson.co.nz>

Access the Epson New Zealand World Wide Web pages. Worth taking your modem here for the occasional surf! The site provides a download area for drivers, Epson contact points, new product information and technical support (e-mail).

Epson Helpdesk

Phone: 0800 237 766

Epson Helpdesk is provided as a final backup to make sure our clients have access to advice. Operators on the Helpdesk can aid you in installing, configuring and operating your Epson product. Our Pre-sales Helpdesk staff can provide literature on new Epson products and advise where the nearest dealer or service agent is located. Many types of queries are answered here.

We encourage you to have all the relevant information on hand when you ring. The more information you prepare, the faster we can help solve the problem. This information includes your Epson product documentation, type of computer, operating system, application programs, and any information you feel is required.

Transportation of Product

Epson recommends retaining product packaging for future transportation. Securing the ink tank with tape and keeping the product upright is also recommended.