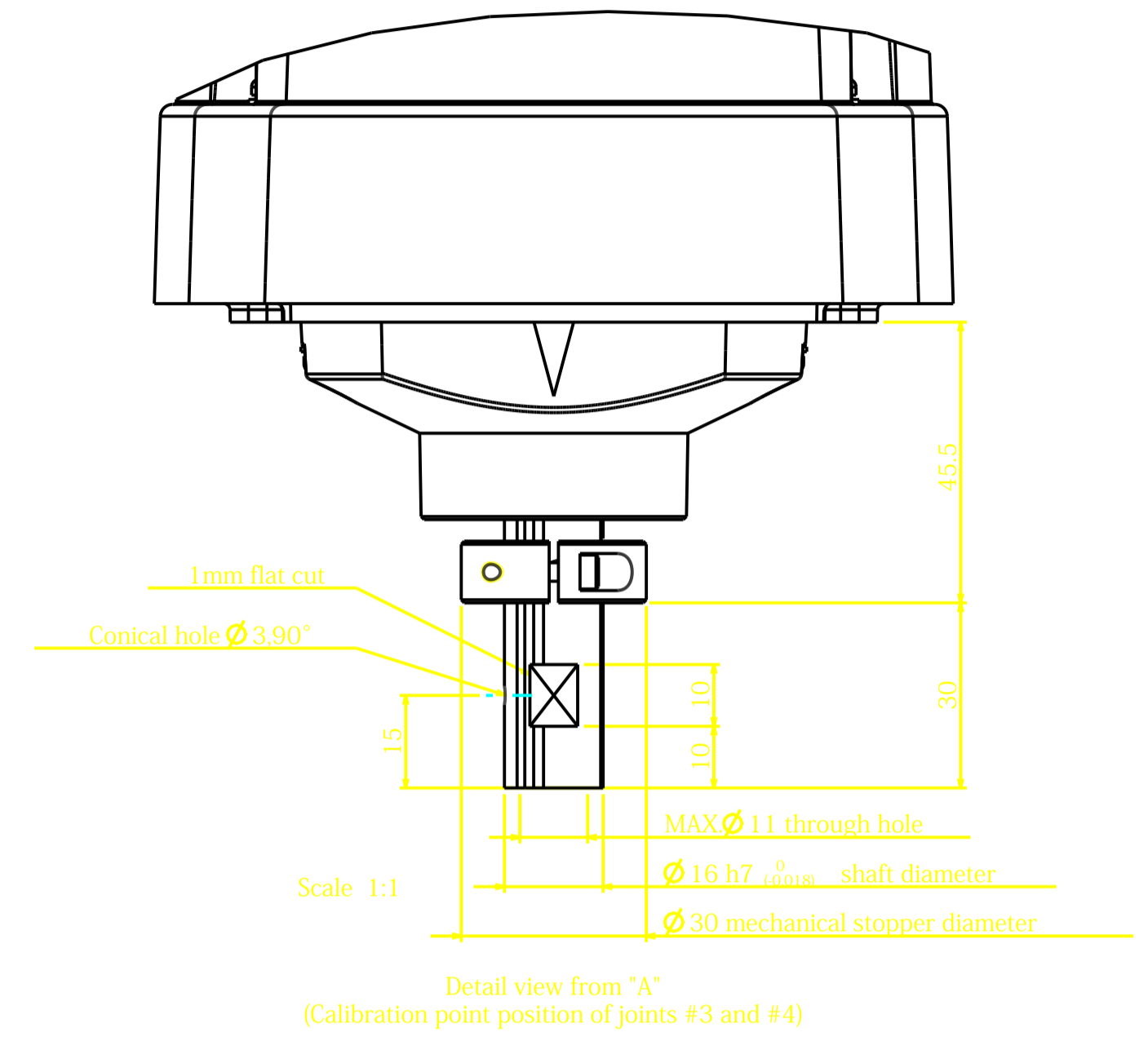
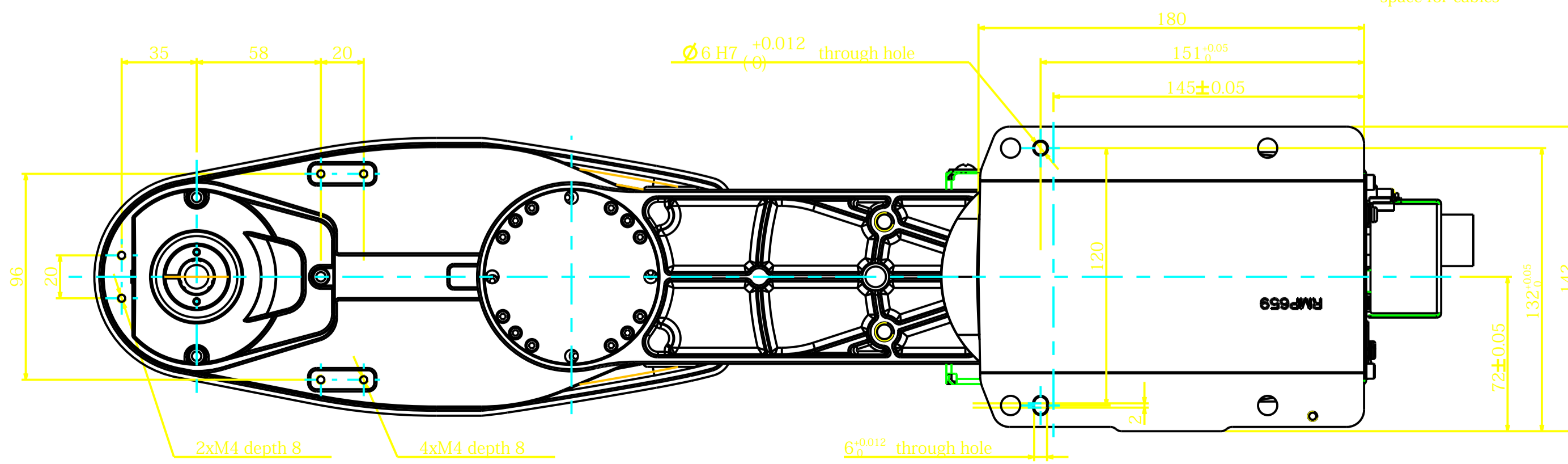


(*) Indicates the stroke margin by mechanical stopper



Detail view from "A"
(Calibration point position of joints #3 and #4)

