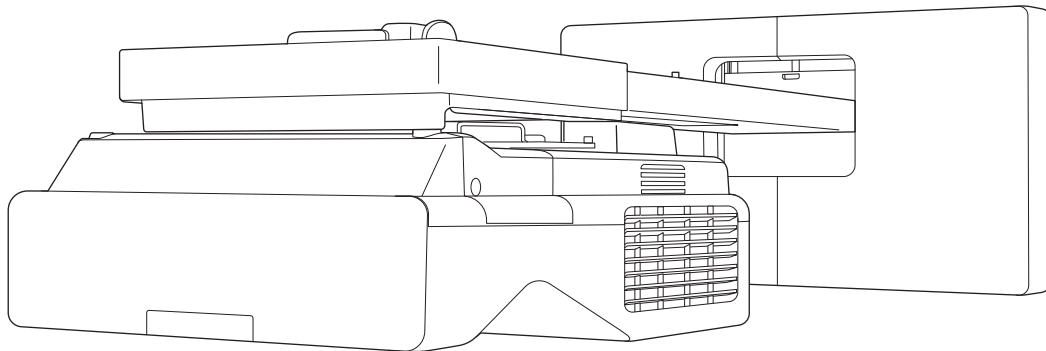


**EB-770Fi**  
**EB-760Wi**  
**ELPMB62**  
**ELPFT01**  
**ELPMB63**

## Installation Guide





# Contents of this Guide

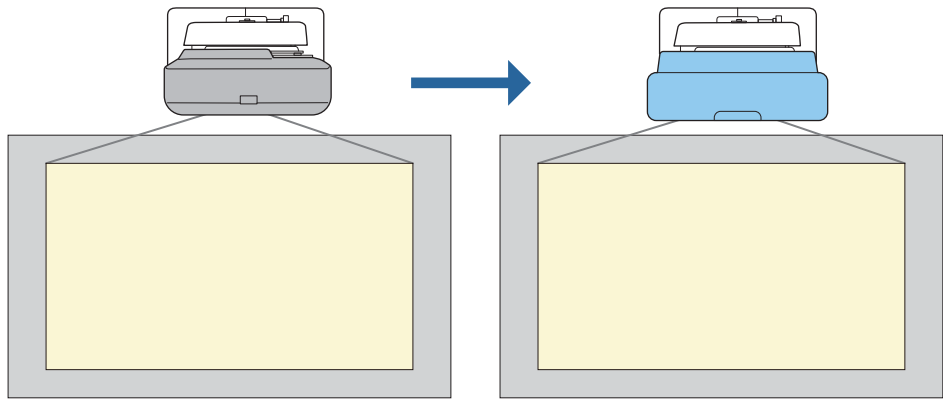
This guide contains the following information.

- How to install an ultra-short throw projector (EB-770Fi/EB-760Wi) using the wall mount (ELPMB62)
- Installing the Touch Unit (ELPFT01)
- Installing the Touch Unit using the touch unit bracket (ELPMB63)
- Installing the Pen Stand

Equipment and mounts/brackets that are not included can be purchased as optional accessories.

# About Replacement Installations

You can replace the currently installed projector with EB-770Fi/EB-760Wi.



After replacing the projector, fine-tune the position of the projected image.

## Conditions for Replacement Installations

When replacing the projector, check if the following conditions are met.

• The installed projector is one of the following:

- BrightLink 485Wi
- BrightLink 485Wi+
- BrightLink 475Wi
- BrightLink 475Wi+
- BrightLink 480i
- PowerLite 485W
- PowerLite 475W
- BrightLink 595Wi
- BrightLink 595Wi+
- BrightLink 585Wi
- BrightLink 585Wi+
- BrightLink 575Wi
- BrightLink 575Wi+
- BrightLink 695Wi
- BrightLink 695Wi+
- BrightLink 685Wi
- BrightLink 685Wi+
- BrightLink 680Wi
- BrightLink 675Wi
- BrightLink 675Wi+
- PowerLite 470
- PowerLite 480
- EB-485Wi
- EB-485Wie
- EB-475Wi
- EB-475Wie
- PowerLite 585W
- PowerLite 575W
- PowerLite 580
- PowerLite 570
- PowerLite 685W
- PowerLite 675W
- PowerLite 680
- PowerLite 670
- EB-485W
- EB-485We
- EB-475W
- EB-475We
- EB-595Wi
- EB-595Wie
- EB-585Wi
- EB-575Wi
- EB-575Wie
- EB-695Wi
- EB-695Wie
- EB-685Wi
- EB-680Wi
- EB-675Wi
- EB-470
- EB-480
- EB-480e
- EB-480i
- EB-470i
- EB-585W
- EB-585We
- EB-575W
- EB-575We
- EB-580
- EB-580e
- EB-570
- EB-685W
- EB-675W
- EB-680
- EB-680e
- EB-670

- EB-755F
- EB-750F
- EB-735Fi
- EB-735F
- EB-725Wi
- EB-725W
- EB-720
- The installed wall mount is one of the following:
  - ELPMB28
  - ELPMB43
  - ELPMB46
- Projecting at a size of 65 to 100 inches
- Projectors have the same resolution

## Example Workflow for Replacement Installations

You can replace the projector using the following workflow. The mount or your projector may differ from the illustrations. For details on handling and adjusting the mount, see the *Installation Guide* for the projector that has already been installed or for the wall mount.

**1** Remove the old projector

- Remove the end cap (also remove the wall plate cover if necessary)
- Remove the adjustment unit from the setting plate

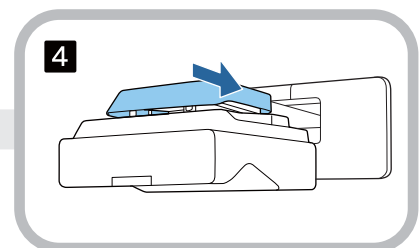
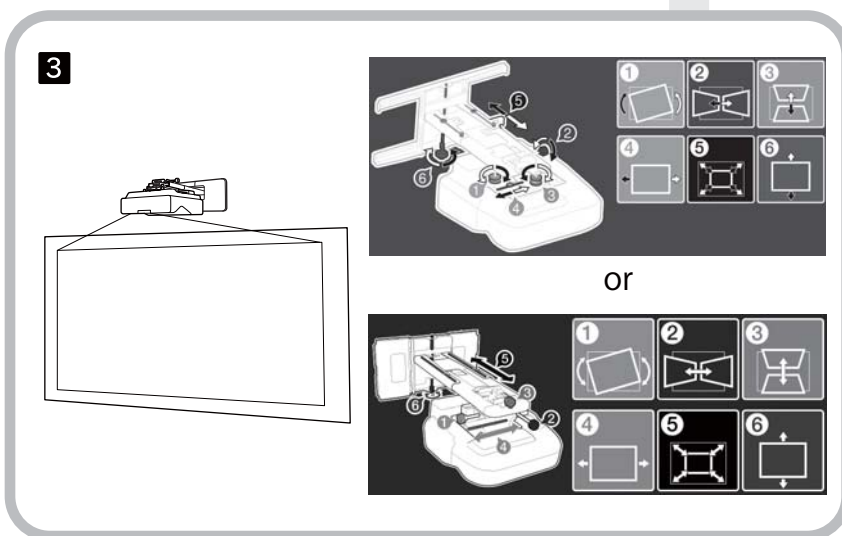
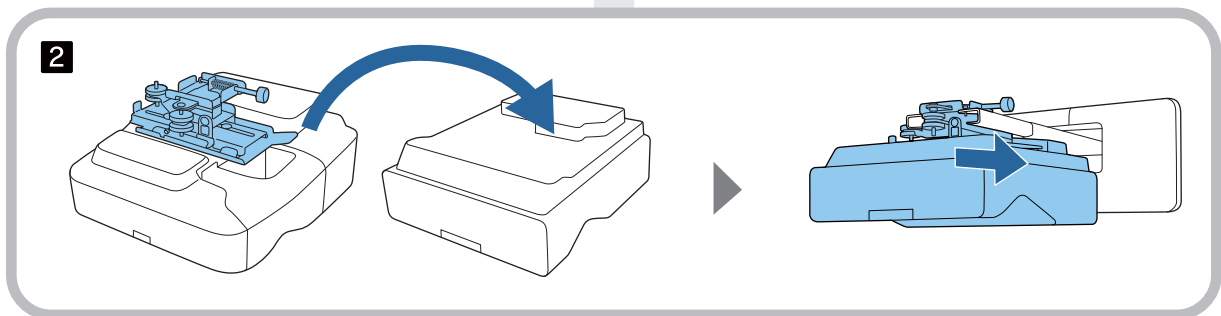
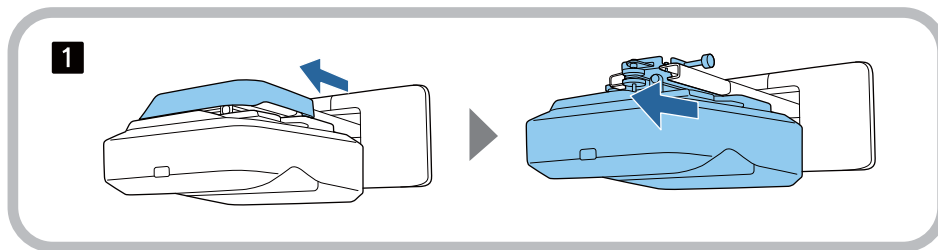
**2** Install the new projector

- Remove the adjustment unit from the old projector and attach it to the new projector
- Attach the adjustment unit to the setting plate

**3** Fine-tune the image

While projecting an image, fine-tune the position of the image using the adjustment dial on the mount and the projector's correction features

**4** Attach the end cap



## About This Installation Guide

**Contents of this Guide** ..... 1

**About Replacement Installations** ..... 2

Conditions for Replacement Installations ..... 2

Example Workflow for Replacement Installations

..... 4

## Introduction

**Using the Product Safely** ..... 7

Safety Indications ..... 7

Explanation of Symbols ..... 7

**Package Contents** ..... 8

Wall Mount ..... 8

Main Mount ..... 8

Accessories ..... 9

Touch Unit ..... 10

Touch Unit Bracket ..... 11

Pen Stand ..... 11

Necessary Items ..... 11

**Installation Work Flow** ..... 13

**Figures of Installation Dimensions** ..... 14

When Installing Multiple Projectors Nearby ..... 15

When Installing Multiple Touch Units Nearby

..... 16

## Installing the Wall mount

**Cautions on Installing the Wall Mount**  
..... 17

**Cautions on the Installation Location of the Wall Mount** ..... 20

**Wall Mount Specifications** ..... 22

External Dimensions ..... 23

Adjustment Range ..... 26

Vertical slide ..... 26

Horizontal slide ..... 26

Forward/backward slide ..... 27

Mini PC Installation Plate ..... 28

Installing Accessories ..... 28

**Installation Procedure for the Wall Mount** ..... 29

Attaching the Mount ..... 30

Determining the installation position (projection distance tables) ..... 30

EB-770Fi ..... 33

EB-760Wi ..... 42

Attaching the adjustment unit to the projector ..... 46

Install the wall plate on the wall ..... 47

Attaching the setting plate to the wall plate ..... 49

Attaching the adjustment unit to the setting plate ..... 54

Attaching peripheral devices ..... 55

Adjusting the Position of the Projected Image ..... 58

Preparations before adjusting ..... 59

Auto Screen Adjustment ..... 61

Performing mechanical adjustment using the Setting Plate Installation Guide ..... 65

Adjusting using the projector menus ..... 68

Attaching the Covers ..... 74

Attaching a Security Cable ..... 75

## Installing the pen stand

**Notes on the Pen Stand** ..... 77

**Pen Stand Specifications** ..... 78

External Dimensions ..... 78

**Installing the Pen Stand** ..... 79

When Securing with Magnets ..... 79

When Securing with Screws ..... 80

## Adjusting the Interactive Pen

**Calibrating the Interactive Pen** ..... 82

Manual Calibration ..... 82

Auto Calibration ..... 84

## Installing the Touch Unit

**Notes on Handling the Touch Unit** ..... 86

For Canadian Users ..... 87

**Touch Unit Installation Location** ..... 88

Notes on the Touch Unit Bracket ..... 89

**Notes on the Laser** ..... 90

- Attached Labels ..... 90
- Laser Diffusion Port ..... 90

**Touch Unit Specifications** ..... 92

- External Dimensions ..... 92

**Touch Unit Bracket Specifications** ..... 93

- External Dimensions ..... 93
- Adjustment Range ..... 94

**When Using an Older Model of Touch Unit** ..... 95

**Installing the Touch Unit** ..... 96

- Installing the Infrared Deflectors ..... 96
- Installing the Touch Unit ..... 97
  - When installing on the projection surface without using the Touch Unit Bracket ..... 97
  - When using the Touch Unit Bracket to install outside of the projection surface ..... 100
- Attaching a Security Cable ..... 104
- Turning on the Touch Unit ..... 105
- Adjusting the Angle of the Laser (Touch Unit Auto Setup) ..... 106
  - When auto adjustment fails ..... 111
- Calibrating the Touch Operation Position ..... 120

**Setting the Projector**

---

**Batch Setup Function** ..... 123

- Setup Using a USB Flash Drive ..... 123
  - Saving settings to the USB flash drive ..... 123
  - Copying saved settings to other projectors ..... 125
- Setup by Connecting the Computer and Projector with a USB Cable ..... 126
  - Saving settings to a computer ..... 126
  - Copying saved settings to other projectors ..... 127
- When Setup Fails ..... 128

**Installing Multiple Projectors (Multi-Projection)** ..... 129

- Setting the Projector ID ..... 129
- Adjusting the Image in Multi-Projection ..... 131
  - When using the EB-770Fi ..... 131
  - When using the EB-760Wi ..... 132

**Appendix**

---

**List of Safety Symbols** ..... 133

**General Notice** ..... 136

# Using the Product Safely



For your safety, read all the instructions in this guide before using this product. Incorrect handling that ignores instructions in this guide could damage this product or could result in personal injury or property damage. Keep this installation guide at hand for future reference.

Read the *User's Guide* and *Safety Instructions* for your projector and follow the instructions in these documents.




## Safety Indications

The documentation and this product use graphical symbols to show how to use this product safely.

The indications and their meaning are as follows. Make sure you understand them properly before reading the guide.

Symbol	Explanation
 Warning	This symbol indicates information that, if ignored, could possibly result in personal injury or even death due to incorrect handling.
 Caution	This symbol indicates information that, if ignored, could possibly result in personal injury or physical damage due to incorrect handling.

## Explanation of Symbols

Symbols	Explanation
	Symbol indicating an action that must not be done
	Symbol indicating an action that should be done
	Symbol indicating related or useful information

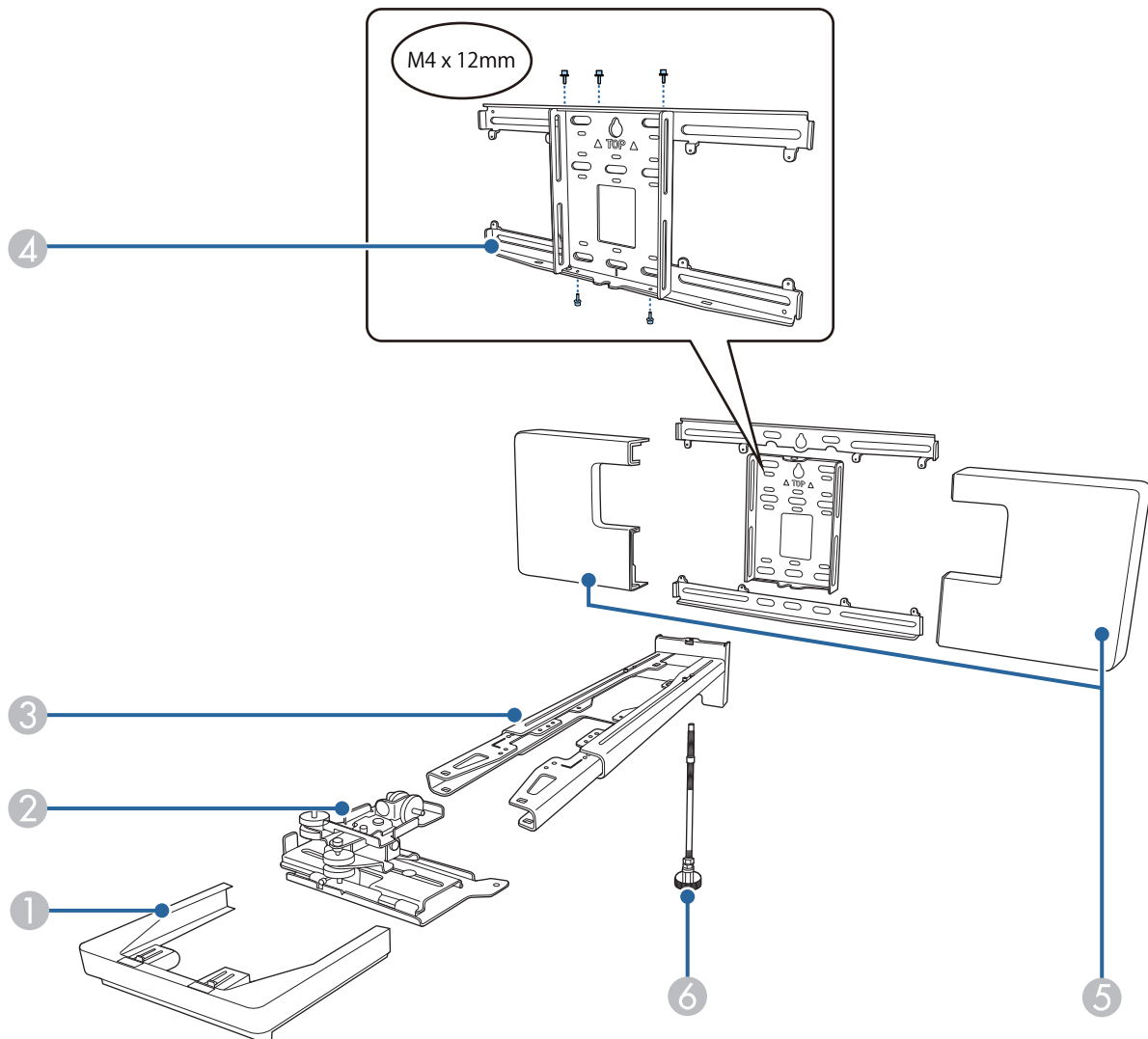


# Package Contents

Confirm that you have all necessary items before beginning installation.

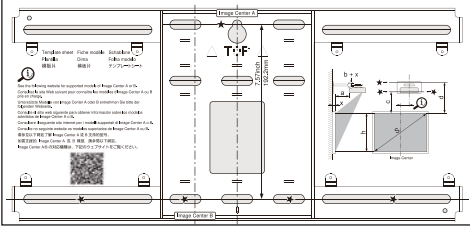
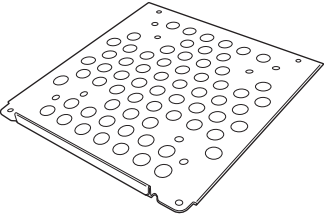


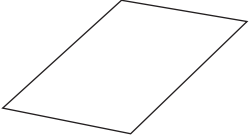
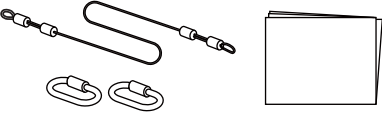

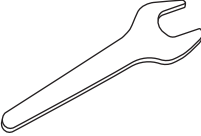



## Wall Mount


### Main Mount



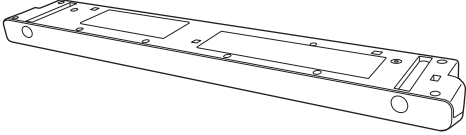
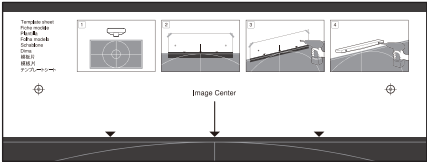
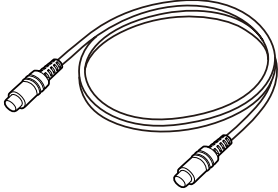
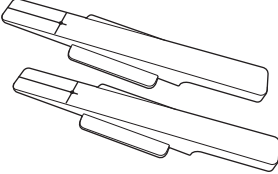

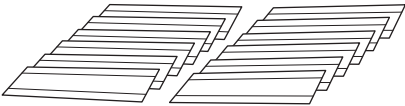
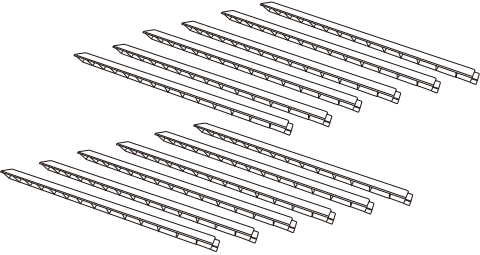

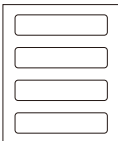
No.	Part name
①	End cap
②	Adjustment unit
③	Setting plate
④	Wall plate
⑤	Wall plate cover
⑥	Hexagonal axis

Accessories

Part	Name	Application
	<p>Template sheet</p>	<p>Attach this to the wall before attaching the wall plate, and use it to drill necessary holes.</p>
	<p>Mini PC plate</p>	<p>Attach this to the wall plate when installing a mini PC or stick PC.</p>
	<p>Mini PC belt</p>	<p>Secure the PC to the plate when attaching a mini PC or a stick PC that cannot be attached using screws.</p>
	<p>Cable binding belt</p>	<p>Secure excess cables after performing wiring.</p>
	<p>Masking sticker</p>	<p>Stick this over the groove in the arm of setting plate to cover it up after installing.</p>
	<p>Safety wire set</p>	<p>Connect to the wall mount and the projector to prevent the projector from falling. See the user's guide supplied with the safety wire set for more details.</p>
	<p>Hexagon wrench (for M4)</p>	<p>-</p>
	<p>Spanner (No. 13 for M6)</p>	<p>-</p>
	<p>M4 x 12 mm hexagon socket head cap bolt with washer/spring washer (x13)</p>	<ul style="list-style-type: none"> <li>Assemble the wall plate as shown in the figure on <a href="#">p.8</a> (x5)</li> <li>Secure the adjustment unit to the projector (x4)</li> <li>Secure the adjustment unit to the setting plate (x4)</li> </ul>
	<p>M6 x 20 mm hexagon shoulder head bolt with washer/spring washer (x1)</p>	<p>Secure the setting plate to the wall plate.</p>
	<p>M6 x 20 mm cross recessed head shoulder screws with plastic washers (x3)</p>	<p></p>

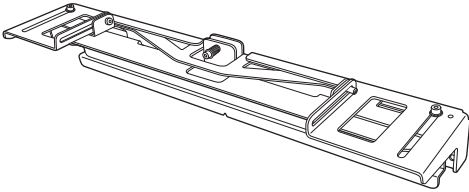
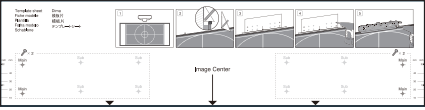


Part	Name	Application
	M3 x 6 mm cross recessed head shoulder screws (x4)	Secure the mini PC plate to the wall plate.

## Touch Unit

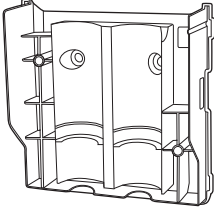
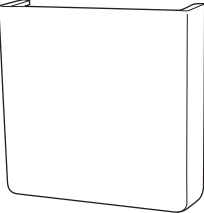

Part	Name	Application
	Touch Unit	-
	Template sheet (for securing the Touch Unit)	Attach this to the wall before attaching the Touch Unit, and use it to drill necessary holes.
	Touch Unit connection cable (approx. 1.8m)	Connect the Touch Unit to the projector.
	Markers x2	Attach to the screen to adjust the angle of the laser emitted by the Touch Unit.  <div style="border: 1px solid black; padding: 5px; width: fit-content;">  When the finger touch operations do not work correctly, you need to use the markers again to re-calibrate the angle of the laser. Keep these in a safe place after installing. </div>
	Tape for securing the markers (approx. 6 cm) x12	Secure the markers to the projection surface.
	Infrared deflectors (approx. 28.5 cm) x12	Use these when there is a tray or frame at the bottom of the projection surface. This prevents malfunctions due to laser reflections.
	Spacers for screw holes x3	Attach them to the screw hole when securing the Touch Unit with screws.
	Label x4	Attach the label in the position of the Touch Unit. These provide markers when repositioning due to movement that occurs during use.

## Touch Unit Bracket

Use this when attaching the Touch Unit to outside of the projection surface.

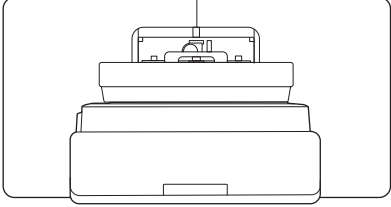
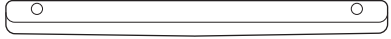
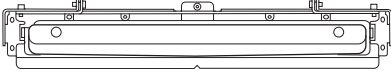
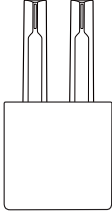
Part	Name	Application
	Touch Unit Bracket	-
	Template sheet (for Touch Unit Bracket)	Attach this to the wall before attaching the Touch Unit Bracket, and use it to drill necessary holes.
	M4 x 25mm hexagon socket head cap bolts (x2)	Secure the Touch Unit to the Touch Unit Bracket.
	Hexagon wrench (for M4)	-

## Pen Stand

Part	Name	Application
	Main unit	-
	Cover	Attach to the front of the pen stand.
	Spacers for screw holes x3	Attach them to the screw hole when securing the pen stand with screws.

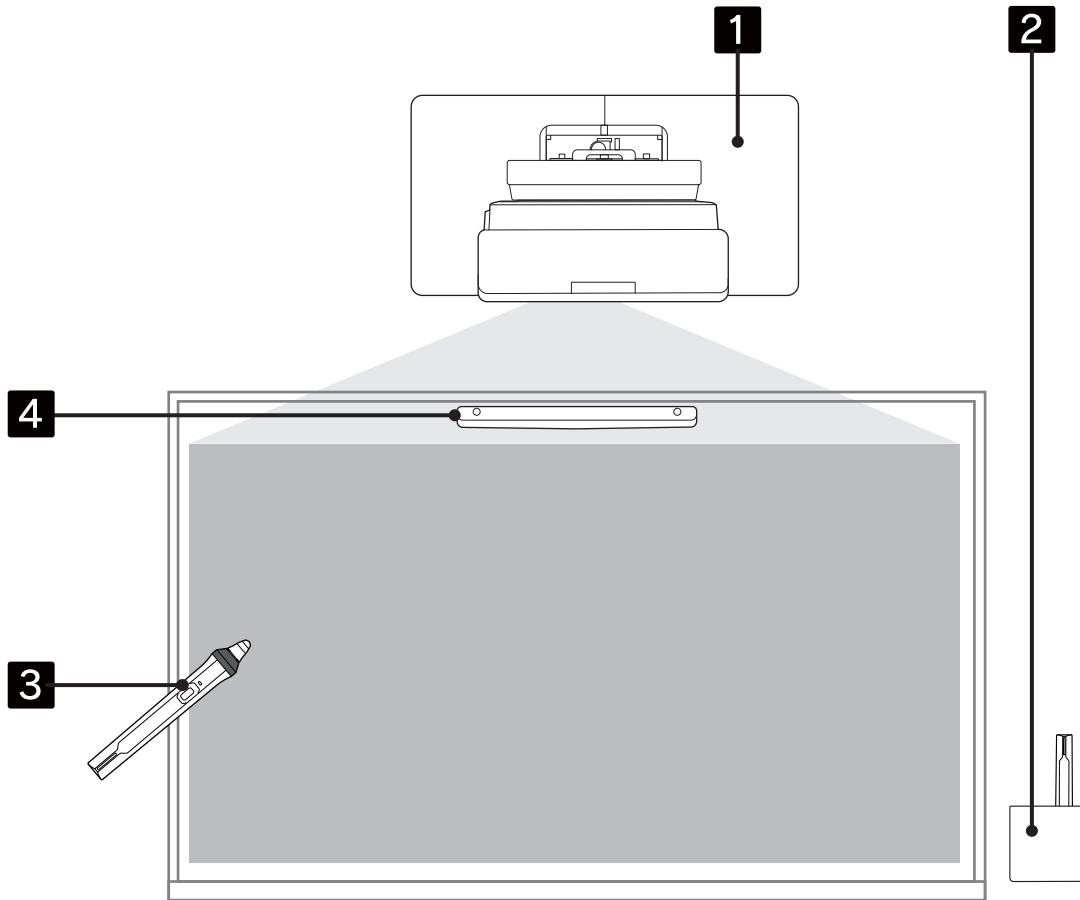
## Necessary Items

As well as the items supplied, you also need to prepare the following screws and tools.

Applicable parts	Necessary items
	<p><b>For the wall mount</b></p> <ul style="list-style-type: none"> <li>• M10 or 3/8 inch x 60 mm anchor bolts (for securing the wall plate: at least x4)</li> <li>• M10 screw (for securing the wall plate temporarily: x1)</li> <li>• 17 mm ratchet wrench (for adjusting hexagonal axis)</li> <li>• Cables to connect to the projector</li> <li>• Devices such as mini PCs</li> </ul>
	<p><b>For the Touch Unit</b></p> <ul style="list-style-type: none"> <li>• M4 screws (to secure the Touch Unit: x2)</li> </ul>
	<p><b>For the Touch Unit bracket</b></p> <ul style="list-style-type: none"> <li>• Anchor bolts or screws for the bracket (depending on what the mounting surface is made of) <ul style="list-style-type: none"> <li>• M4 anchor bolts (x4)</li> <li>• 3.8 mm diameter wood screws with a length of 45 mm or more (x4)</li> </ul> </li> </ul>
	<p><b>For the pen stand</b></p> <ul style="list-style-type: none"> <li>• M4 x 20 mm screws (x2)</li> </ul>

# Installation Work Flow

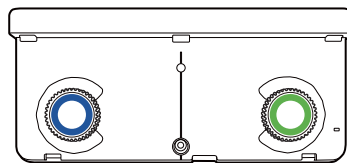
We recommend installing the projector and peripheral devices in the following order.



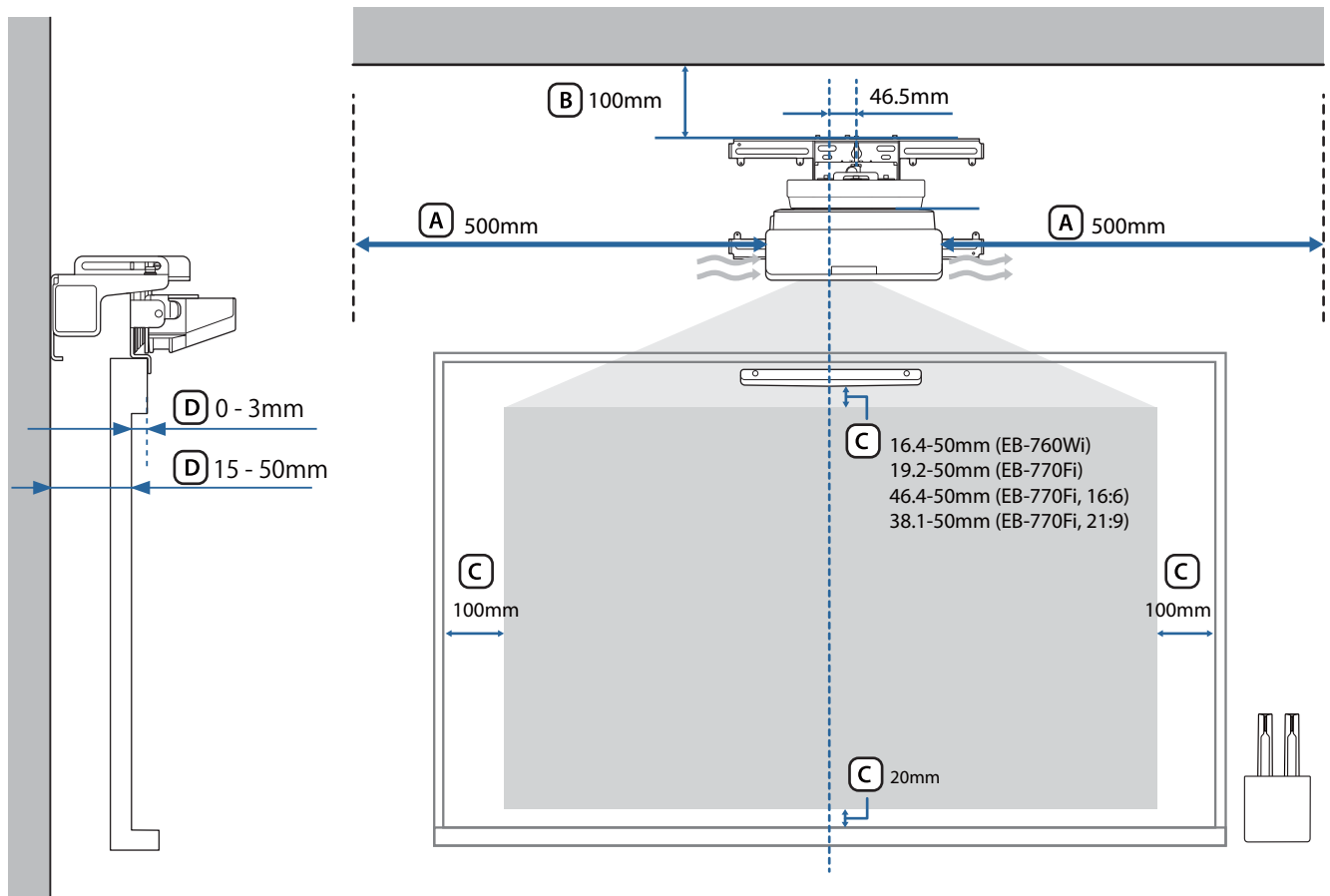
- 1 Mount projector on wall and adjust the projected image (☞ p.17)
- 2 Install the pen stand (☞ p.77)
- 3 Perform pen calibration (☞ p.82)
- 4 Install and adjust touch unit and perform finger touch calibration (☞ p.86)



When you want to use the installed Touch Unit (see the following image) as it is, adjust the laser angle ( p.106).



## Figures of Installation Dimensions



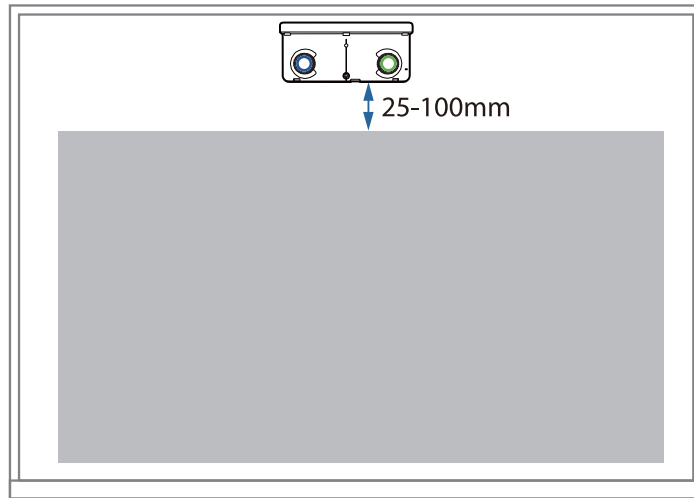
### Caution

- When installing the projector, make sure there is a gap between the wall and the projector's air exhaust and intake vents. (See figure **A** above)
- When using the Touch Unit, make sure there is enough space around the projection screen. (See figure **C** above)
- When installing the Touch Unit using the Touch Unit bracket, check the thickness of the frame around the screen and the length from the installation surface to the screen surface. (See figure **D** above)



Leaving a gap of approximately 100 mm from the ceiling to the top of the wall plate makes it easier to install and remove the projector. (See figure **B** above)

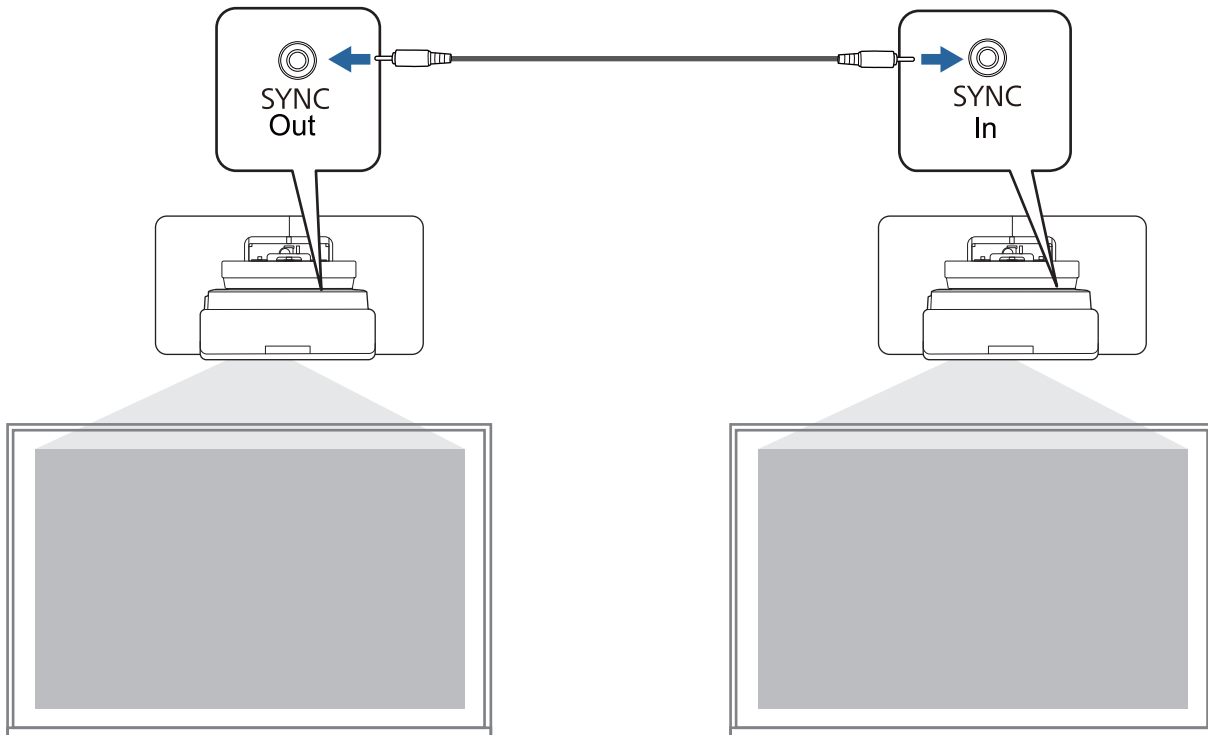
When you want to use the installed Touch Unit (older model) as it is, leave a gap of 25 to 100 mm between the bottom of the Touch Unit and the top of the image. You may need to re-install the Touch Unit to project at a different size or aspect ratio.



### When Installing Multiple Projectors Nearby

If interactive pen operations do not perform correctly between projectors installed nearby, connect the projectors by using a commercially available stereo mini jack cable (ø3.5mm, no resistance).

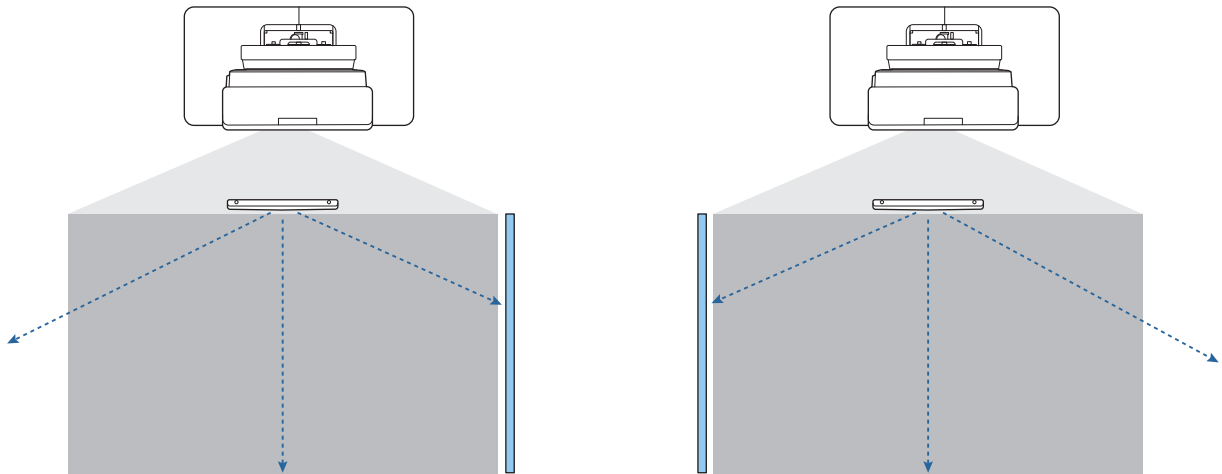
After connecting the cable, set **Installation of Projectors - Sync of Projectors** to **Wired** from the **Pen/Touch** menu to stabilize the interactive pen operations.



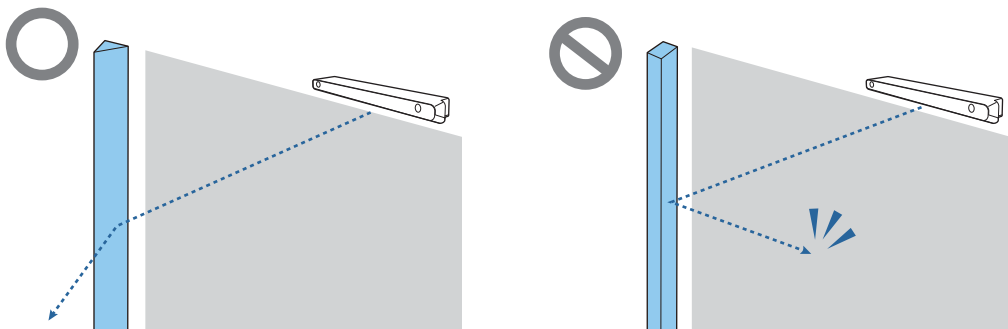


## When Installing Multiple Touch Units Nearby

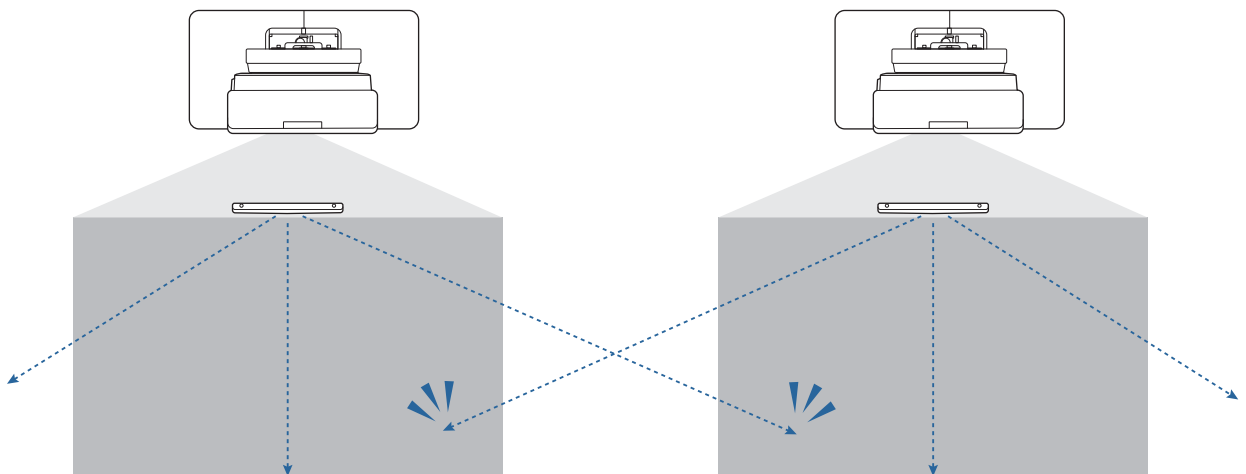
When installing multiple Touch Units on the same wall, we recommend installing the infrared deflectors supplied to create partitions to prevent the lasers from interfering with adjacent projection surfaces.













- When using partitions other than the infrared deflectors, they should be slanted as shown in the following figure.
















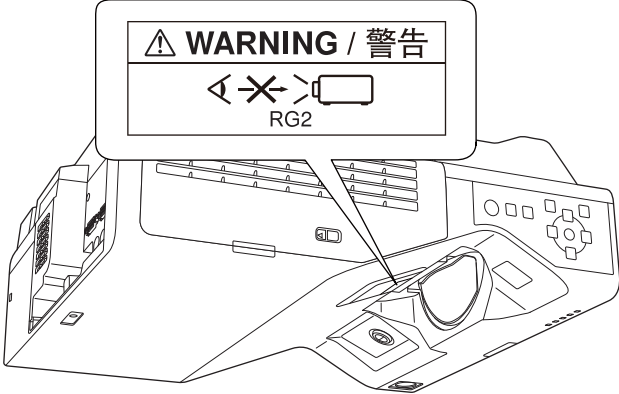









- If partitions are not installed, the lasers from the Touch Units may interfere with adjacent projection surfaces, and finger touch operations may not work properly.










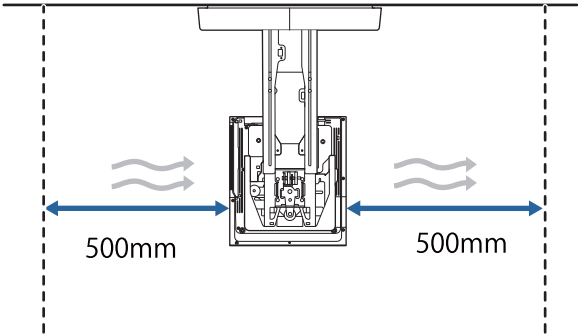

## Cautions on Installing the Wall Mount

 Warning	
<p>The Wall mount is exclusively for mounting the projector on a wall. If anything other than a projector is mounted, the weight may result in damage.</p> <p>If this product falls, it could cause death or personal injury.</p>	
<p>The installation work (wall mounting) should be performed by specialists who have technical knowledge and ability. Incomplete or incorrect installation could cause the product to fall and cause personal injury or property damage.</p>	
<p>Follow the steps in this guide to install the Wall mount, and be sure to use the bolts and screws specified in this guide.</p> <p>If the instructions are not followed, this product may fall, resulting in personal injury or an accident.</p>	
<p>Handle the power cord carefully.</p> <p>Incorrect handling may cause fire or electric shock. Observe the following precautions when handling:</p> <ul style="list-style-type: none"> <li>• Do not handle the power plug with wet hands.</li> <li>• Do not use a power cord that is damaged or modified.</li> <li>• Do not pull the power cord with too much force when routing the cable through the setting plate.</li> </ul>	
<p>Do not install the setting plate in a place where it might be subjected to vibration or shock.</p> <p>This could cause damage to the projector or mounting surface. If this product falls, it could cause death or personal injury.</p>	
<p>When installing on a wall, install so that it can sufficiently support the mass of the projector and the Wall mount and resist any horizontal vibration. Use M10 or 3/8 inch x 60 mm nuts and bolts.</p> <p>Nuts and bolts smaller than M10 or 3/8 inch x 60 mm could cause the setting plate to fall. Epson accepts no responsibility for any damage or injury caused by lack of wall strength or inadequate installation.</p>	
<p>The installation work should be performed by at least two qualified service personnel. If you need to loosen any screws during installation, be careful not to drop this product.</p> <p>If this product falls, it could cause death or personal injury.</p>	
<p>When installing this product on a wall, the wall requires enough strength to hold the projector and the Wall mount.</p> <p>This product should be installed on a concrete wall.</p> <p>The maximum combined weight of the projector and the Wall mount is approximately 15.2 kg (not including cables).</p> <p>Ensure the strength of the wall before mounting this product on the wall. If the wall is not strong enough, reinforce the wall before installation.</p>	
<p>Inspect the setting plate on a regular basis to ensure there are no broken parts or loose screws.</p> <p>If any parts are damaged, stop using the setting plate immediately. If this product falls, it could cause death or personal injury.</p>	


 Warning	
<p>Do not disassemble or remodel this product.</p> <p>There are numerous high-voltage sections inside the product that could cause a fire, electric shock, or an accident.</p>	
<p>Do not hang on this product. Do not hang heavy objects on this product.</p> <p>If this product falls, it could cause death or personal injury.</p>	
<p>Do not use adhesives, lubricants, or oils to install or adjust the Wall mount.</p> <p>If you use adhesives to prevent the screws from loosening or things such as lubricants or oils on the slide plate fixing part of the projector, the case may crack and cause the projector to fall, resulting in personal injury or property damage.</p>	
<p>Tighten all screws firmly after adjustment.</p> <p>Otherwise, the product may fall and cause personal injury or property damage.</p>	
<p>Never loosen the bolts and nuts after installation.</p> <p>Confirm that the screws have not become loose on a regular basis. If you find any loose screws, tighten them firmly. Otherwise, the product may fall and cause personal injury or property damage.</p>	
<p>Route the cables so that they are not interfered with the nuts and bolts.</p> <p>Incorrect handling of the cables may cause fire or electric shock.</p>	
<p>When turning on the projector, do not look into the projection window.</p> <p>This could cause damage to eyesight due to the powerful light emitted. Take particular care when there are children present. When turning on the projector at a distance using the remote control, make sure there is no one looking into the projection window.</p>	
<p>When using the projector, do not place any objects or put your hand near the projection window.</p> <p>This area is dangerous as it reaches a high temperature due to the concentrated projection light.</p>	
<p>Do not use the projector in a location subject to combustible or explosive gas.</p> <p>High temperatures within the projector may cause ignition and a fire to occur.</p>	
<p>Only a specialist should remove or reinstall the projector, including for maintenance and repairs.</p> <p>See the projector's <i>User's Guide</i> for instructions on maintenance and repairs.</p>	
<p>If any abnormalities occur with this product, immediately disconnect the cables from the product, and then contact your local dealer or the nearest Epson service call center.</p> <p>Continuing to use the product in an abnormal condition could cause a fire, electric shock, or visual impairment.</p>	

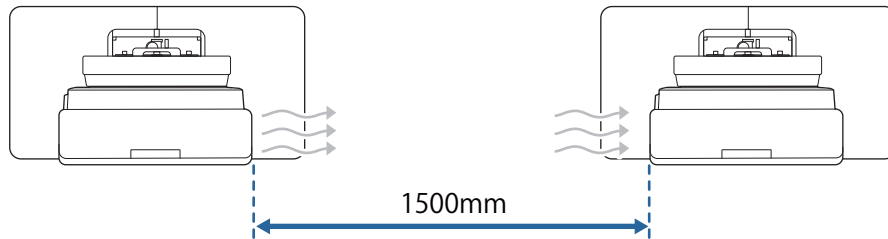
 Warning	
<p>Laser warning labels have been attached to the projector.</p> <p>Do not look into the laser beam emitted from the projection window while projecting. (Compliant with IEC/EN60825-1:2014)</p> 	
<p>Never open any cases on the projector.</p> <p>Electrical voltages inside the projector can cause severe injury.</p>	
<p>Do not look directly into the projector's light source.</p> <p>Possibly hazardous optical radiation emitted from this product. Eye injury may result.</p>	
 Caution	
<p>Do not install this product in a location where the operating temperature for your projector model may be exceeded.</p> <p>Such an environment may damage the projector.</p>	
<p>Install this product in a place free from excessive dust and humidity to prevent the lens or optical components from becoming dirty.</p>	
<p>Do not use excessive force when adjusting this product.</p> <p>This product may break, resulting in personal injury.</p>	
<p>This projector is a Class 1 laser product that complies with the IEC/EN60825-1: 2014 international standard for lasers.</p>	
<p>Do not disassemble the projector when disposing of it.</p> <p>Dispose according to your local or national laws and regulations.</p>	

# Cautions on the Installation Location of the Wall Mount

 Warning	
Do not install in a location subject to oily smoke or smoke for events. If oils and so on stick to the slide plate fixing part of the projector, the case may crack and cause the projector to fall, resulting in personal injury or property damage.	
 Caution	
Do not install the projector or the screen in a location subject to direct sunlight. If the projector or the screen are subject to direct sunlight, the interactive function may not operate correctly.	
Carry out power supply wiring work at the installation location of the projector in advance.	
Install the projector away from other electric devices such as fluorescent lights or air conditioners. Some types of fluorescent lights could interfere with the remote control or the pen.	
When installing the projector, make sure there is a gap between the wall and the projector's air exhaust and intake vents as shown in the following image.	
	
When installing two or more projectors in parallel, make sure the temperature of the surrounding environment is less than 35°C. If the environment is too hot, the projector may overheat and the power may turn off without warning.	

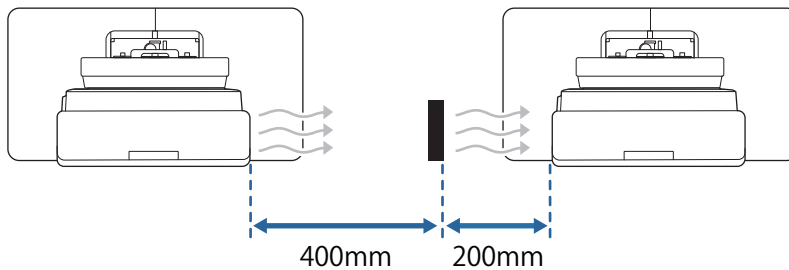
 Caution


When installing two or more projectors in parallel, leave a gap of at least 1,500 mm between the projectors. 




If you cannot secure a gap of approx. 1,200 mm, install a partition to block the heat vented from the projector's air exhaust vent.


The partitions should be larger than the exhaust vent (approx. 20 mm in all directions), and installed approximately 400 mm from the exhaust vent and 200 mm from the intake vents.




Install and adjust the projector at a room temperature that is close to the actual intended usage environment. 

If the temperature changes, the position of the image may shift or the accuracy of the pen may decline.

Install the projector so that it is tilted at an angle of no more than +3 degrees or -3 degrees vertically and horizontally in relation to the screen. 

When using interactive functions, install the projector so that the projected image is within reach. 

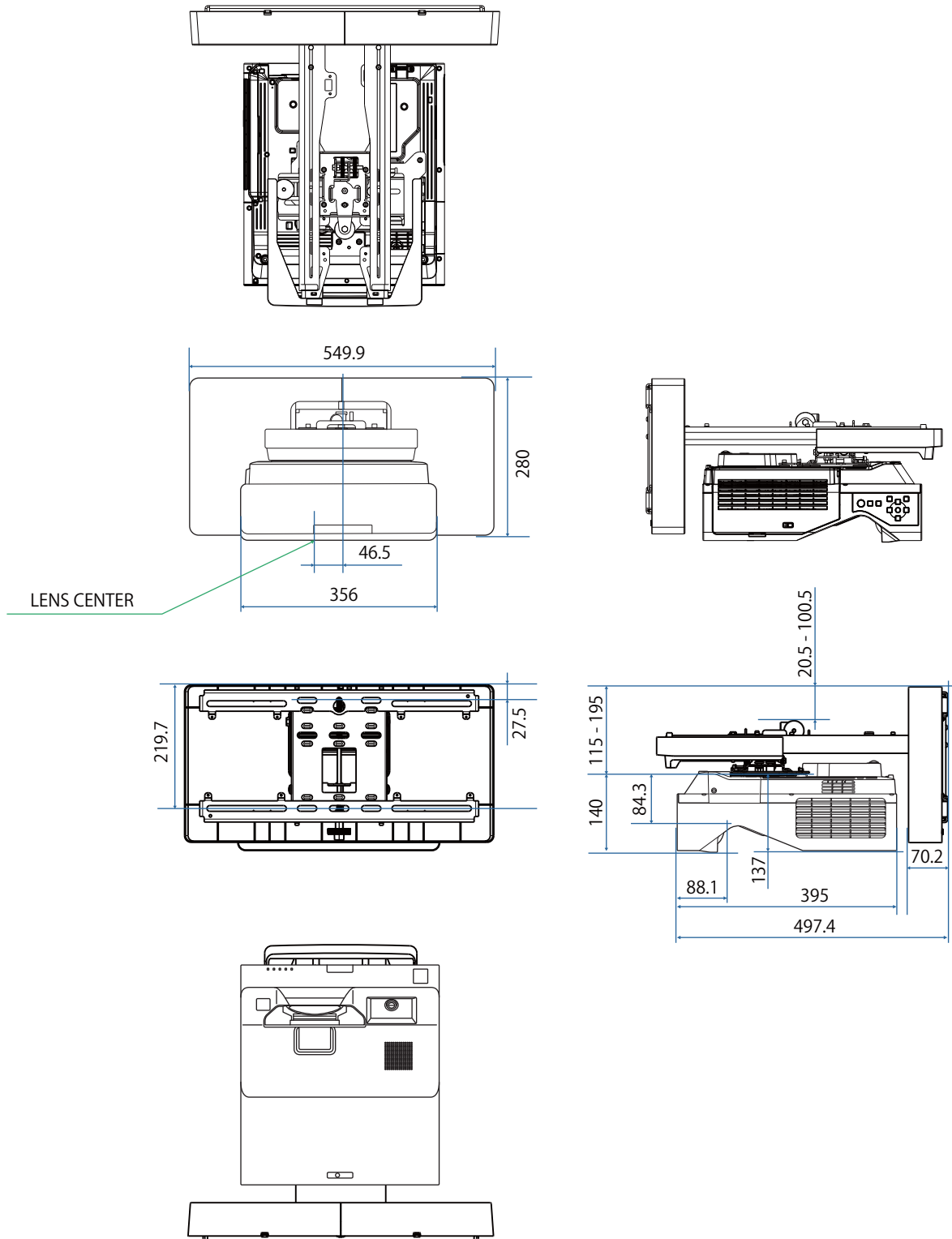
We recommend using stick-on screens or board screens. 

## Wall Mount Specifications

Item	Specification
Wall mount mass (setting plate, hexagonal axis, adjustment unit, wall plate, wall plate cover, end cap)	Approx. 9.2 kg
Load capacity	Approx. 15.0 kg

## External Dimensions

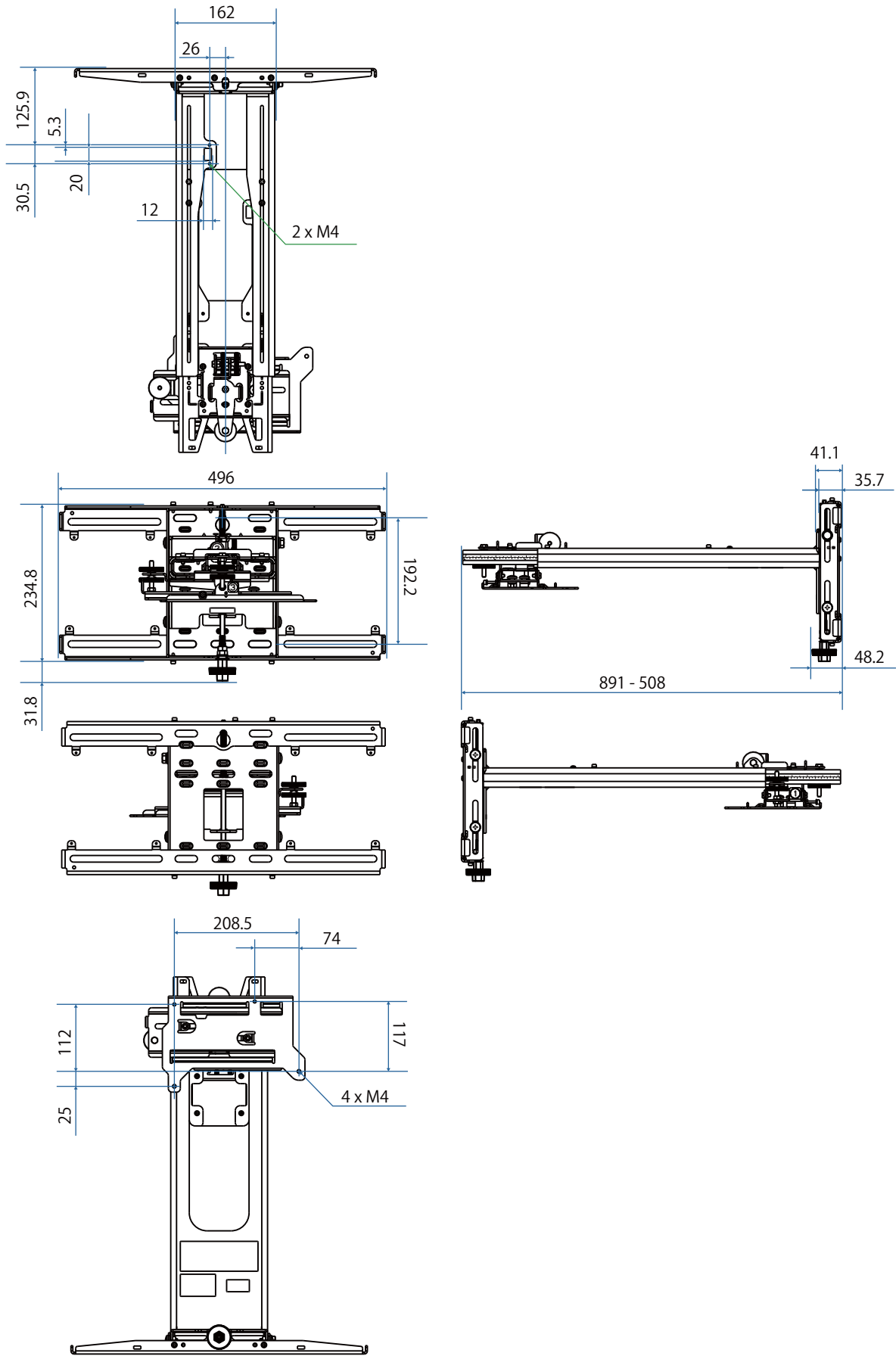
[Unit: mm]





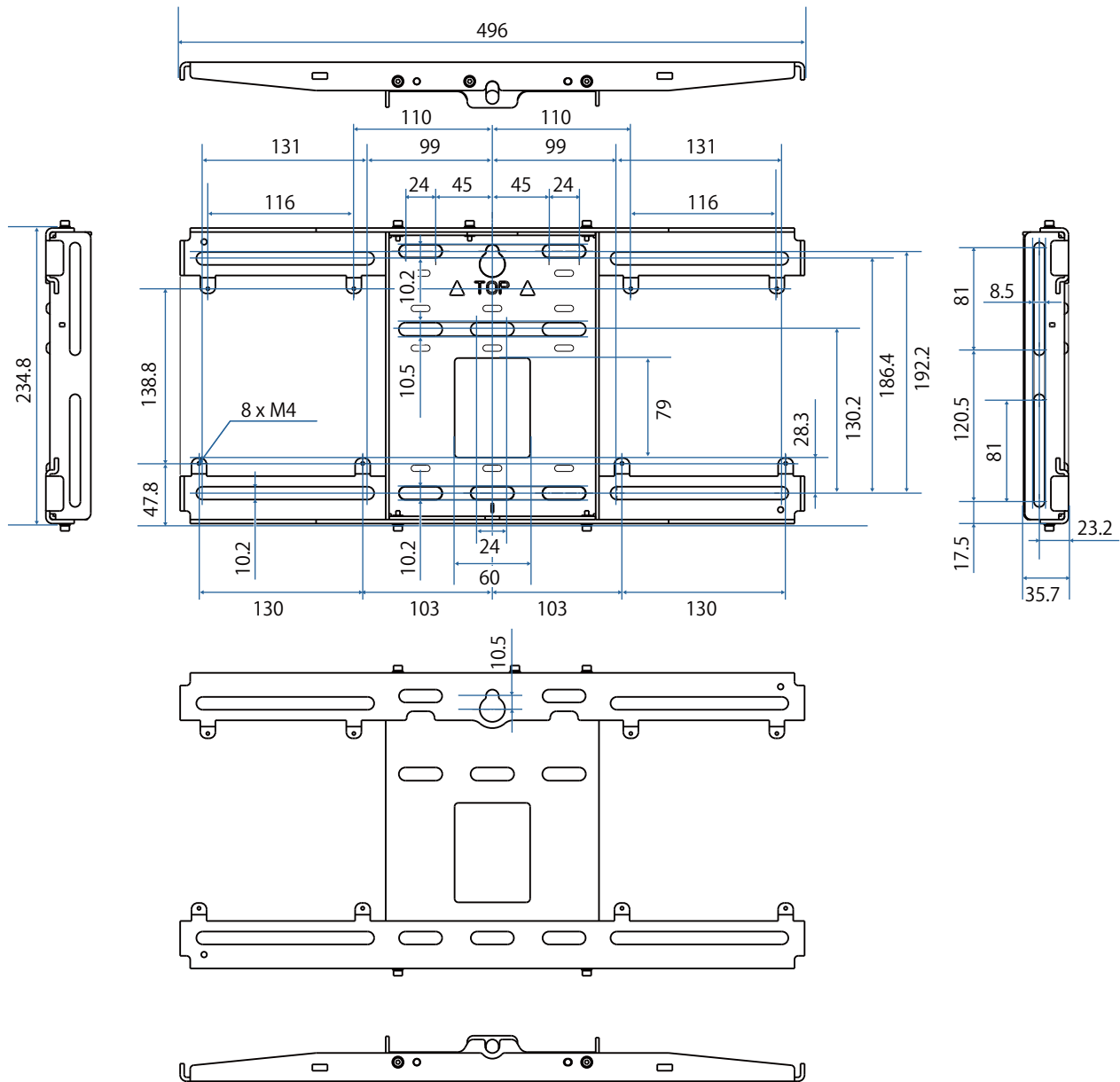
# Installing the Wall mount

[Unit: mm]



# Installing the Wall mount

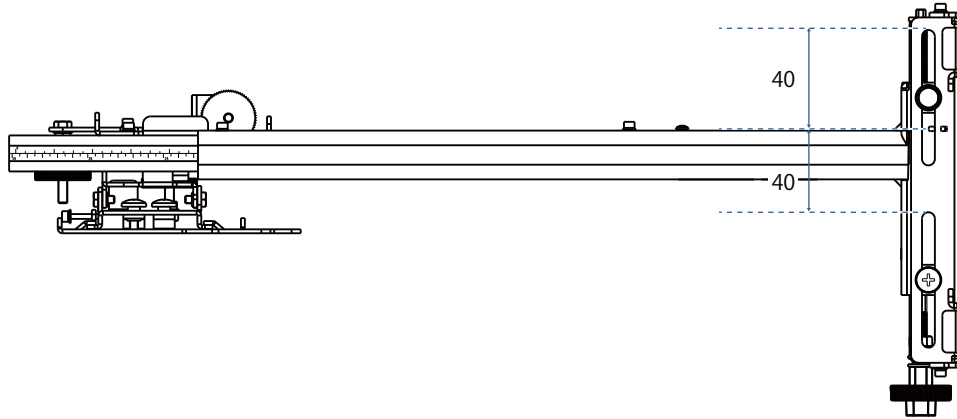
[Unit: mm]



## Adjustment Range

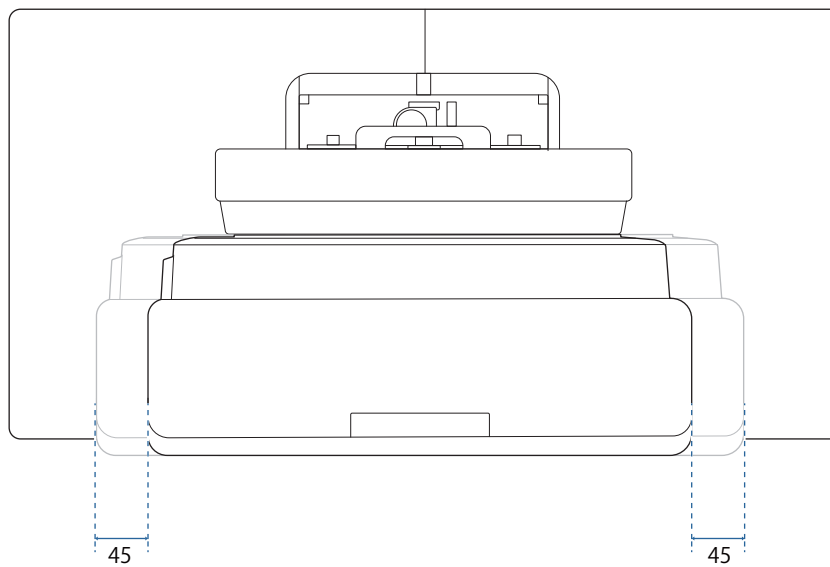
### ■ Vertical slide

[Unit: mm]



### ■ Horizontal slide

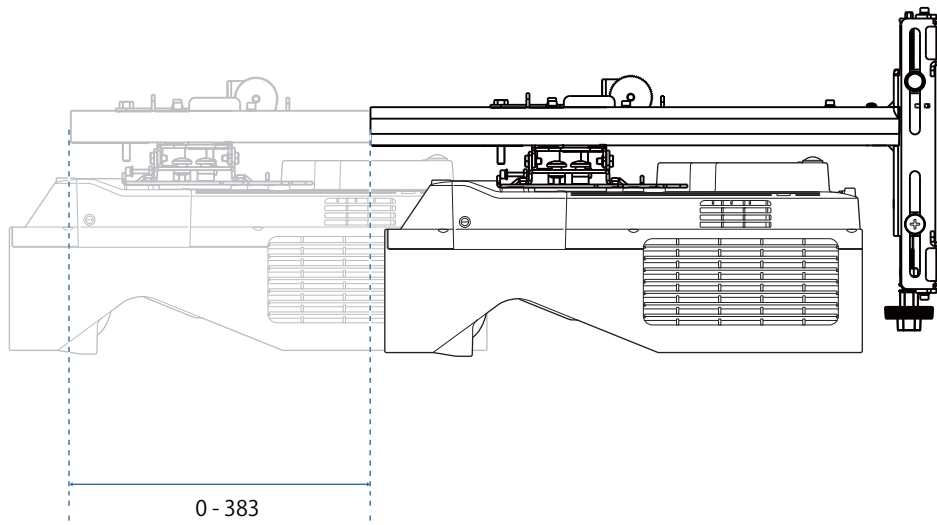
[Unit: mm]



■ Forward/backward slide

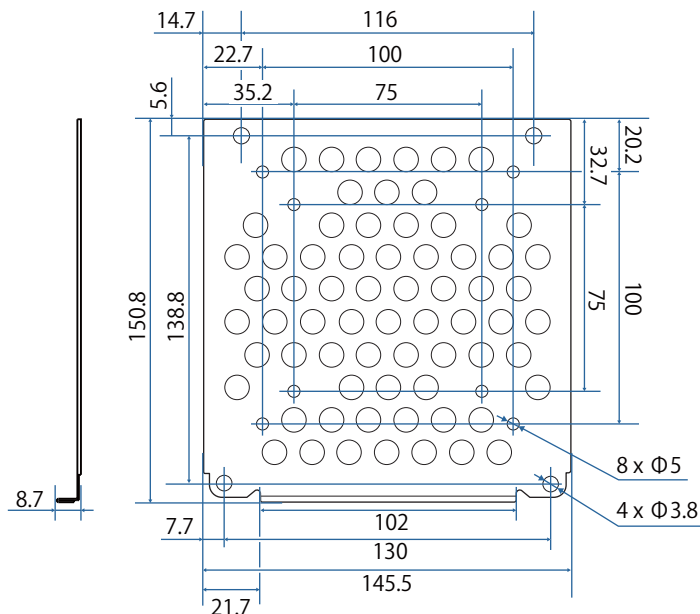
---

[Unit: mm]



## Mini PC Installation Plate

[Unit: mm]

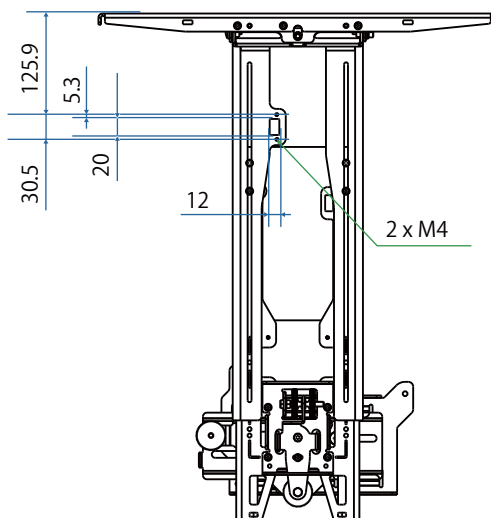


Item	Specification
Screw holes for installing PC (VESA compliant)	75 mm x 75 mm 100 mm x 100 mm
Supported PC sizes	Within 150 mm x 150 mm x 44 mm
Supported PC weight	0.7 kg or less

## Installing Accessories

When installing a switcher or a tuner, use the screw holes shown in the figure below to secure them.

[Unit: mm]



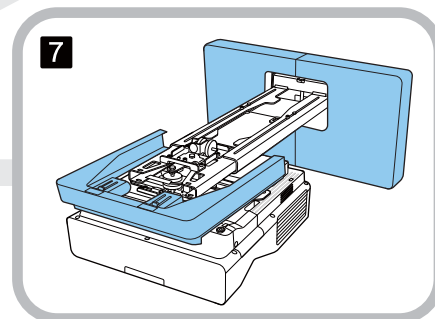
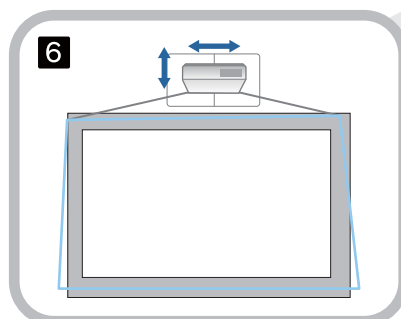
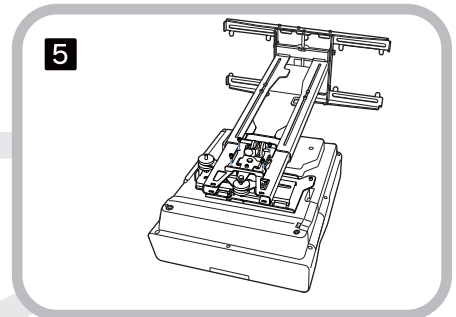
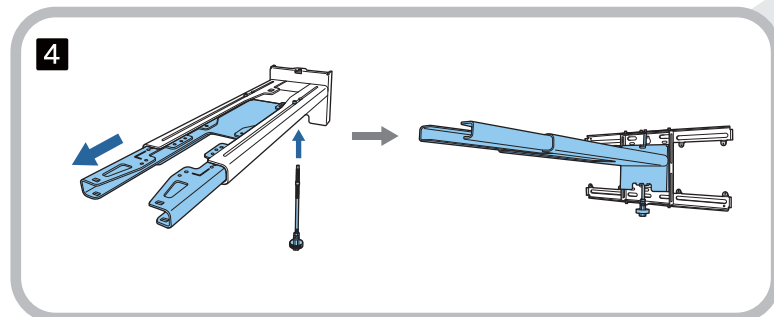
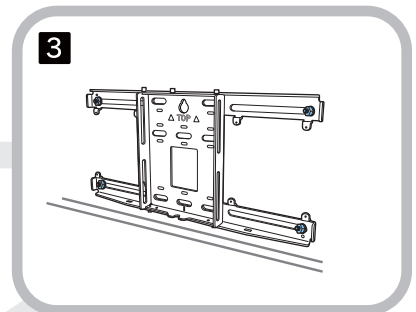
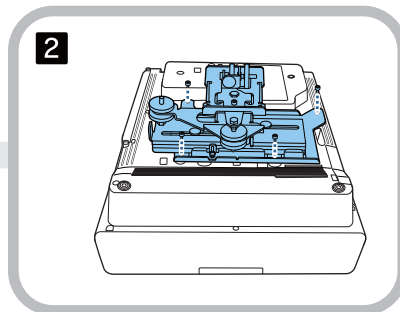
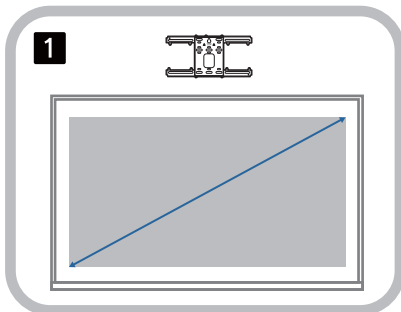
Before installing, check that the total weight, including the projector and connection cables, is below the maximum load capacity for the wall mount. (☛ "Wall Mount Specifications" p.22)

# Installation Procedure for the Wall Mount

Follow the work flow below to install the wall mount.

Route the cables before installing the wall mount according to your installation environment.

- 1 Check the projection distance tables to determine the installation position (☞ p.30)
- 2 Attach the adjustment unit to the projector (☞ p.46)
- 3 Install the wall plate on the wall (☞ p.47)
- 4 Adjust the arm length of the setting plate, and then attach it to the wall plate (☞ p.49)
- 5 Attach the adjustment unit to the setting plate, and then connect the cables and peripheral devices (☞ p.54)
- 6 Adjust the position of the image (☞ p.58)
- 7 Attach the covers (☞ p.74)




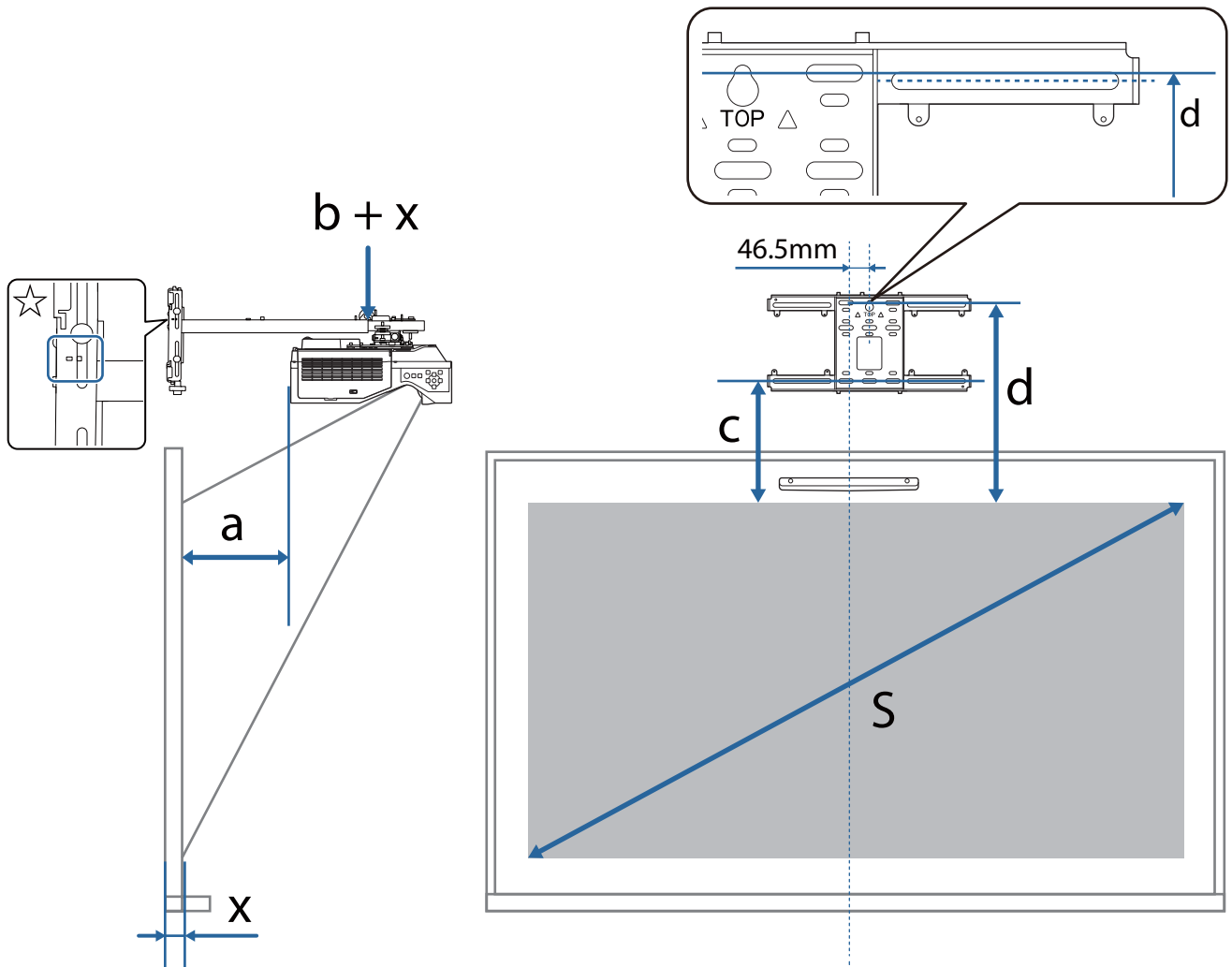
## Attaching the Mount

### Determining the installation position (projection distance tables)

Determine the installation position of the wall plate according to the size of the screen (S) you want to project on to. See the following figure to check the values from a to d. This is the value when the setting plate is in the middle of the wall plate (See ☆ in the following illustration).

The offset value for the center of the screen being projected and the center of the Wall Plate is 46.5 mm.

 A shorter x distance may increase the minimum projection size.



- a: Minimum projection distance (Wide)
- b + x: Number on the arm slide scale on the setting plate (maximum 533 mm)
- x: Distance from the wall to the projection surface (15 to 50 mm when using touch unit bracket ( p.14))

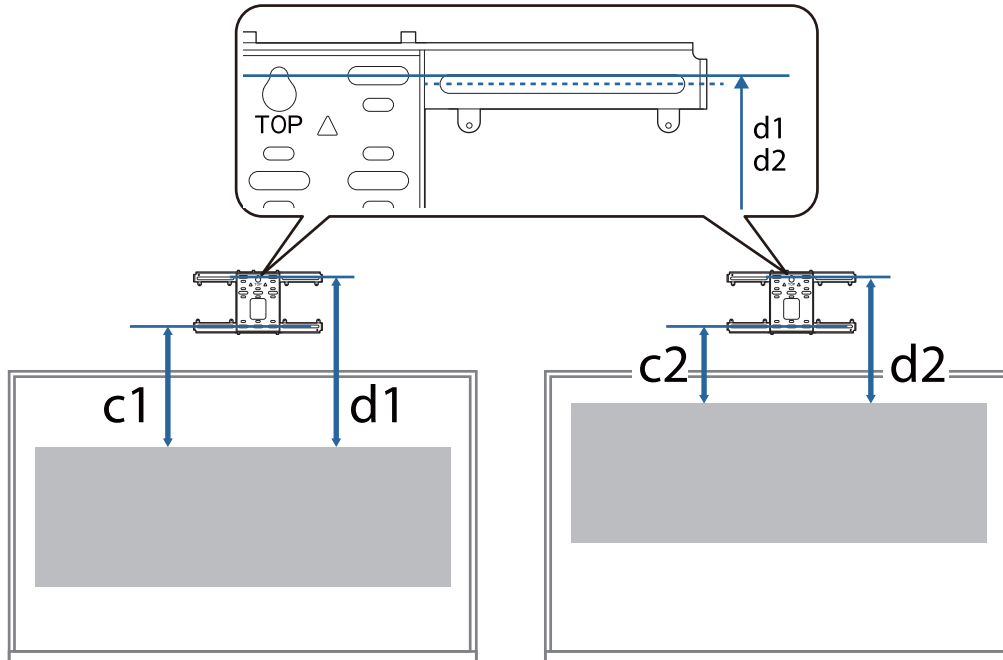
- c: Distance from the top edge of the image to the bottom installation screw hole for the wall plate
- d: Distance from the top edge of the image to the temporary screw hole for the wall plate
- S: Projected image size

See the following for the values for c and d when projecting at an aspect ratio of 16:6.

When using the interactive features with an aspect ratio of 16:6, set the **Screen Position** to a vertically central or higher position.

(When using the EB-770Fi)

- c1/d1: When the **Screen Position** is in the center
- c2/d2: When the **Screen Position** is at the top



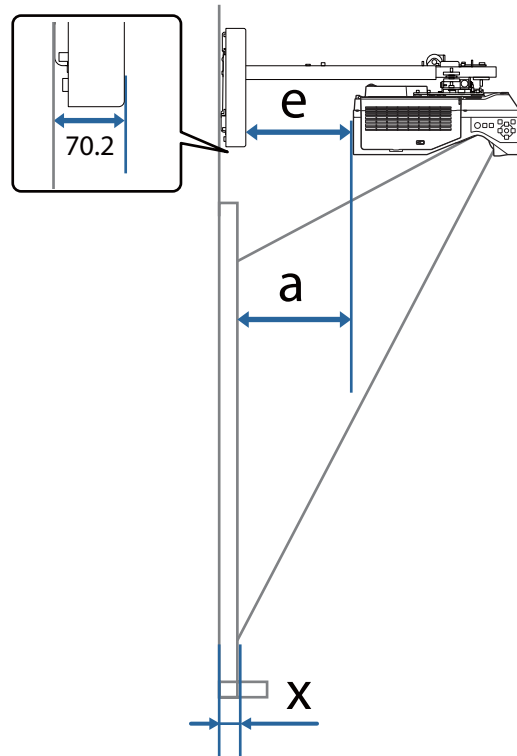
If the projection size is too small, there may not be enough space at the back of the projector for cable connections.




## Installing the Wall mount

---

When you have determined the projection distance (a), see the following figure to calculate the distance (e), and then check in advance whether your cables will fit at the back of the projector.



- a: Minimum projection distance (Wide)
- e: Distance from front of wall plate cover to back of projector  
(Formula:  $e = a - 70.2 \text{ mm} + x$ )
- x: Distance from the wall to the projection surface

 EB-770Fi

## 16:9 projected image

[Unit: mm]

	S	a	b	c	d
71 "	1572 × 884	88	147	221	413
72 "	1594 × 897	94	153	224	416
73 "	1616 × 909	101	160	227	419
74 "	1638 × 921	107	166	230	422
75 "	1660 × 934	113	172	233	425
76 "	1682 × 946	120	178	236	428
77 "	1705 × 959	126	185	239	431
78 "	1727 × 971	132	191	242	434
79 "	1749 × 984	139	197	245	437
80 "	1771 × 996	145	204	248	440
81 "	1793 × 1009	151	210	251	443
82 "	1815 × 1021	157	216	254	446
83 "	1837 × 1034	164	223	257	449
84 "	1860 × 1046	170	229	260	452
85 "	1882 × 1058	176	235	263	455
86 "	1904 × 1071	183	242	266	458
87 "	1926 × 1083	189	248	269	461
88 "	1948 × 1096	195	254	272	464
89 "	1970 × 1108	202	260	275	467
90 "	1992 × 1121	208	180	278	470
91 "	2015 × 1133	214	186	281	473
92 "	2037 × 1146	221	192	283	476
93 "	2059 × 1158	227	199	286	479
94 "	2081 × 1171	233	205	289	482
95 "	2103 × 1183	240	211	292	485
96 "	2125 × 1195	246	218	295	488
97 "	2147 × 1208	252	224	298	491
98 "	2170 × 1220	258	230	301	494
99 "	2192 × 1233	265	237	304	497
100 "	2214 × 1245	271	243	307	500

## 4:3 projected image

[Unit: mm]

	S	a	b	c	d
58 "	1179 × 884	88	147	221	413
59 "	1199 × 899	95	154	225	417
60 "	1219 × 914	103	162	228	420
61 "	1240 × 930	111	170	232	424
62 "	1260 × 945	119	177	236	428
63 "	1280 × 960	126	185	239	431
64 "	1300 × 975	134	193	243	435
65 "	1321 × 991	142	201	246	439
66 "	1341 × 1006	150	208	250	442
67 "	1361 × 1021	157	216	254	446
68 "	1382 × 1036	165	224	257	450
69 "	1402 × 1052	173	232	261	453
70 "	1422 × 1067	180	239	265	457
71 "	1443 × 1082	188	247	268	460
72 "	1463 × 1097	196	255	272	464
73 "	1483 × 1113	204	262	276	468
74 "	1504 × 1128	211	270	279	471
75 "	1524 × 1143	219	278	283	475
76 "	1544 × 1158	227	286	287	479
77 "	1565 × 1173	234	293	290	482
78 "	1585 × 1189	242	301	294	486
79 "	1605 × 1204	250	309	297	490
80 "	1626 × 1219	258	316	301	493

	S	a	b	c	d
81 "	1646 × 1234	265	324	305	497
82 "	1666 × 1250	273	332	308	501
83 "	1687 × 1265	281	340	312	504
84 "	1707 × 1280	288	347	316	508
85 "	1727 × 1295	296	355	319	511
86 "	1748 × 1311	304	363	323	515
87 "	1768 × 1326	312	370	327	519
88 "	1788 × 1341	319	378	330	522
89 "	1808 × 1356	327	386	334	526
90 "	1829 × 1372	335	397	338	530
91 "	1849 × 1387	342	404	341	533
92 "	1869 × 1402	350	412	345	537
93 "	1890 × 1417	358	420	348	541
94 "	1910 × 1433	366	428	352	544
95 "	1930 × 1448	373	436	356	548
96 "	1951 × 1463	381	444	359	552
97 "	1971 × 1478	389	452	363	555
98 "	1991 × 1494	397	460	367	559
99 "	2012 × 1509	404	468	370	562
100 "	2032 × 1524	412	476	374	566

## 16:10 projected image

[Unit: mm]

	S	a	b	c	d
66 "	1422 × 888	90	149	222	414
67 "	1443 × 902	97	156	225	417
68 "	1465 × 915	104	163	228	421
69 "	1486 × 929	111	169	232	424
70 "	1508 × 942	117	176	235	427
71 "	1529 × 956	124	183	238	430
72 "	1551 × 969	131	190	241	434
73 "	1572 × 983	138	197	245	437
74 "	1594 × 996	145	203	248	440
75 "	1615 × 1010	151	210	251	443
76 "	1637 × 1023	158	217	254	446
77 "	1659 × 1037	165	224	257	450
78 "	1680 × 1050	172	231	261	453
79 "	1702 × 1063	179	238	264	456
80 "	1723 × 1077	186	244	267	459

S		a	b	c	d
81 "	1745 × 1090	192	251	270	462
82 "	1766 × 1104	199	258	274	466
83 "	1788 × 1117	206	265	277	469
84 "	1809 × 1131	213	272	280	472
85 "	1831 × 1144	220	278	283	475
86 "	1852 × 1158	226	285	286	479
87 "	1874 × 1171	233	292	290	482
88 "	1895 × 1185	240	299	293	485
89 "	1917 × 1198	247	306	296	488
90 "	1939 × 1212	254	312	299	491
91 "	1960 × 1225	261	318	302	495
92 "	1982 × 1239	267	324	306	498
93 "	2003 × 1252	274	330	309	501
94 "	2025 × 1265	281	336	312	504
95 "	2046 × 1279	288	342	315	508
96 "	2068 × 1292	295	348	319	511
97 "	2089 × 1306	301	354	322	514
98 "	2111 × 1319	308	360	325	517
99 "	2132 × 1333	315	366	328	520
100 "	2154 × 1346	322	372	331	524

## 16:6 projected image

[Unit: mm]

	S	a	b	c1	d1	c2	d2
66 "	1570 × 589	87	146	368	560	221	413
67 "	1593 × 598	94	153	373	565	224	416
68 "	1617 × 606	101	160	379	571	227	419
69 "	1641 × 615	108	166	384	576	230	422
70 "	1665 × 624	114	173	390	582	233	426
71 "	1689 × 633	121	180	395	587	237	429
72 "	1712 × 642	128	187	400	593	240	432
73 "	1736 × 651	135	194	406	598	243	435
74 "	1760 × 660	141	200	411	603	246	438
75 "	1784 × 669	148	207	417	609	249	442
76 "	1807 × 678	155	214	422	614	253	445
77 "	1831 × 687	162	221	428	620	256	448
78 "	1855 × 696	169	227	433	625	259	451
79 "	1879 × 705	175	234	438	631	262	454
80 "	1903 × 713	182	241	444	636	265	458
81 "	1926 × 722	189	248	449	641	269	461
82 "	1950 × 731	196	255	455	647	272	464
83 "	1974 × 740	202	261	460	652	275	467
84 "	1998 × 749	209	268	466	658	278	470
85 "	2022 × 758	216	275	471	663	281	474
86 "	2045 × 767	223	282	476	669	285	477
87 "	2069 × 776	230	288	482	674	288	480
88 "	2093 × 785	236	295	487	679	291	483
89 "	2117 × 794	243	302	493	685	294	486
90 "	2140 × 803	250	222	498	690	297	490

	S	a	b	c1	d1	c2	d2
91 "	2164 × 812	257	229	504	696	301	493
92 "	2188 × 821	263	235	509	701	304	496
93 "	2212 × 829	270	242	514	707	307	499
94 "	2236 × 838	277	249	520	712	310	502
95 "	2259 × 847	284	256	525	717	313	506
96 "	2283 × 856	291	262	531	723	317	509
97 "	2307 × 865	297	269	536	728	320	512
98 "	2331 × 874	304	276	542	734	323	515
99 "	2354 × 883	311	283	547	739	326	518
100 "	2378 × 892	318	289	552	745	329	522
101 "	2402 × 901	324	296	558	750	333	525
102 "	2426 × 910	331	303	563	755	336	528
103 "	2450 × 919	338	310	569	761	339	531
104 "	2473 × 928	345	317	574	766	342	534
105 "	2497 × 936	352	323	580	772	345	538
106 "	2521 × 945	358	330	585	777	349	541
107 "	2545 × 954	365	337	590	783	352	544
108 "	2569 × 963	372	344	596	788	355	547
109 "	2592 × 972	379	350	601	793	358	550
110 "	2616 × 981	385	357	607	799	361	554




## 21:9 projected image

[Unit: mm]

	S	a	b	c1	d1	c2	d2
68 "	1617 × 606	92	151	329	522	267	459
69 "	1641 × 615	99	158	334	526	270	463
70 "	1665 × 624	106	165	339	531	274	466
71 "	1689 × 633	112	171	344	536	278	470
72 "	1712 × 642	119	178	348	540	282	474
73 "	1736 × 651	126	184	353	545	285	478
74 "	1760 × 660	132	191	358	550	289	481
75 "	1784 × 669	139	198	362	555	293	485
76 "	1807 × 678	146	204	367	559	297	489
77 "	1831 × 687	152	211	372	564	301	493
78 "	1855 × 696	159	218	376	569	304	497
79 "	1879 × 705	166	224	381	573	308	500
80 "	1903 × 713	172	231	386	578	312	504
81 "	1926 × 722	179	238	391	583	316	508
82 "	1950 × 731	185	244	395	587	319	512
83 "	1974 × 740	192	251	400	592	323	515
84 "	1998 × 749	199	258	405	597	327	519
85 "	2022 × 758	205	264	409	602	331	523
86 "	2045 × 767	212	271	414	606	335	527
87 "	2069 × 776	219	278	419	611	338	531
88 "	2093 × 785	225	284	423	616	342	534
89 "	2117 × 794	232	291	428	620	346	538
90 "	2140 × 803	239	298	433	625	350	542

	S	a	b	c1	d1	c2	d2
91 "	2164 × 812	245	217	438	630	353	546
92 "	2188 × 821	252	224	442	634	357	549
93 "	2212 × 829	259	230	447	639	361	553
94 "	2236 × 838	265	237	452	644	365	557
95 "	2259 × 847	272	244	456	649	369	561
96 "	2283 × 856	279	250	461	653	372	565
97 "	2307 × 865	285	257	466	658	376	568
98 "	2331 × 874	292	264	470	663	380	572
99 "	2354 × 883	299	270	475	667	384	576
100 "	2378 × 892	305	277	480	672	387	580
101 "	2402 × 901	312	284	485	677	391	583
102 "	2426 × 910	319	290	489	681	395	587
103 "	2450 × 919	325	297	494	686	399	591
104 "	2473 × 928	332	304	499	691	403	595
105 "	2497 × 936	338	310	503	696	406	599
106 "	2521 × 945	345	317	508	700	410	602
107 "	2545 × 954	352	324	513	705	414	606
108 "	2569 × 963	358	330	518	710	418	610
109 "	2592 × 972	365	337	522	714	421	614
110 "	2616 × 981	372	344	527	719	425	617

 EB-760Wi

16:10 projected image

[Unit: mm]

	S	a	b	c	d
69 "	1486 × 929	92	150	203	395
70 "	1508 × 942	98	157	206	398
71 "	1529 × 956	105	164	209	401
72 "	1551 × 969	111	170	212	404
73 "	1572 × 983	118	177	214	407
74 "	1594 × 996	124	183	217	409
75 "	1615 × 1010	131	190	220	412
76 "	1637 × 1023	137	196	223	415
77 "	1659 × 1037	144	203	226	418
78 "	1680 × 1050	150	209	228	421
79 "	1702 × 1063	157	216	231	423
80 "	1723 × 1077	163	222	234	426
81 "	1745 × 1090	170	229	237	429
82 "	1766 × 1104	177	235	240	432
83 "	1788 × 1117	183	242	242	435
84 "	1809 × 1131	190	248	245	437
85 "	1831 × 1144	196	255	248	440
86 "	1852 × 1158	203	262	251	443
87 "	1874 × 1171	209	268	254	446
88 "	1895 × 1185	216	275	256	449
89 "	1917 × 1198	222	281	259	451
90 "	1939 × 1212	229	201	262	454
91 "	1960 × 1225	235	207	265	457
92 "	1982 × 1239	242	214	268	460
93 "	2003 × 1252	248	220	271	463
94 "	2025 × 1265	255	227	273	466
95 "	2046 × 1279	262	233	276	468
96 "	2068 × 1292	268	240	279	471
97 "	2089 × 1306	275	246	282	474
98 "	2111 × 1319	281	253	285	477
99 "	2132 × 1333	288	259	287	480
100 "	2154 × 1346	294	266	290	482

## 4:3 projected image

[Unit: mm]

	S	a	b	c	d
61 "	1240 × 930	92	151	203	396
62 "	1260 × 945	99	158	207	399
63 "	1280 × 960	107	166	210	402
64 "	1300 × 975	114	173	213	405
65 "	1321 × 991	122	180	216	408
66 "	1341 × 1006	129	188	219	411
67 "	1361 × 1021	136	195	222	415
68 "	1382 × 1036	144	203	226	418
69 "	1402 × 1052	151	210	229	421
70 "	1422 × 1067	159	217	232	424
71 "	1443 × 1082	166	225	235	427
72 "	1463 × 1097	173	232	238	430
73 "	1483 × 1113	181	240	241	434
74 "	1504 × 1128	188	247	245	437
75 "	1524 × 1143	196	254	248	440
76 "	1544 × 1158	203	262	251	443
77 "	1565 × 1173	210	269	254	446
78 "	1585 × 1189	218	277	257	450
79 "	1605 × 1204	225	284	261	453
80 "	1626 × 1219	233	291	264	456

	S	a	b	c	d
81 "	1646 × 1234	240	299	267	459
82 "	1666 × 1250	247	306	270	462
83 "	1687 × 1265	255	314	273	465
84 "	1707 × 1280	262	321	276	469
85 "	1727 × 1295	270	328	280	472
86 "	1748 × 1311	277	336	283	475
87 "	1768 × 1326	284	343	286	478
88 "	1788 × 1341	292	351	289	481
89 "	1808 × 1356	299	358	292	484
90 "	1829 × 1372	307	278	295	488
91 "	1849 × 1387	314	286	299	491
92 "	1869 × 1402	321	293	302	494
93 "	1890 × 1417	329	301	305	497
94 "	1910 × 1433	336	308	308	500
95 "	1930 × 1448	344	315	311	504
96 "	1951 × 1463	351	323	314	507
97 "	1971 × 1478	358	330	318	510
98 "	1991 × 1494	366	338	321	513
99 "	2012 × 1509	373	345	324	516
100 "	2032 × 1524	380	352	327	519

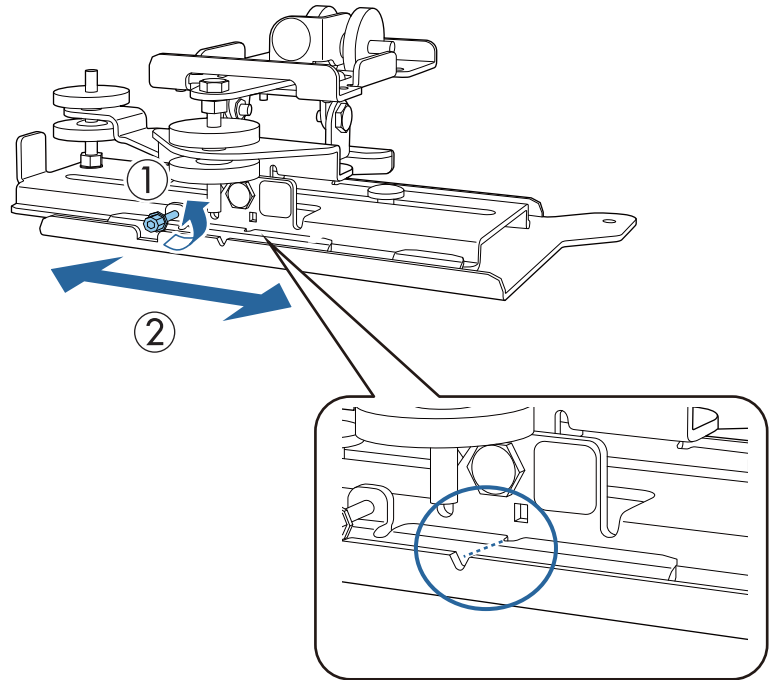
## 16:9 projected image

[Unit: mm]

	S	a	b	c	d
67 "	1483 × 834	91	150	249	441
68 "	1505 × 847	97	156	253	445
69 "	1528 × 859	104	163	256	448
70 "	1550 × 872	111	170	260	452
71 "	1572 × 884	118	176	263	456
72 "	1594 × 897	124	183	267	459
73 "	1616 × 909	131	190	271	463
74 "	1638 × 921	138	197	274	466
75 "	1660 × 934	144	203	278	470
76 "	1682 × 946	151	210	281	474
77 "	1705 × 959	158	217	285	477
78 "	1727 × 971	165	223	288	481
79 "	1749 × 984	171	230	292	484
80 "	1771 × 996	178	237	296	488
81 "	1793 × 1009	185	244	299	491
82 "	1815 × 1021	191	250	303	495
83 "	1837 × 1034	198	257	306	499
84 "	1860 × 1046	205	264	310	502
85 "	1882 × 1058	212	270	313	506
86 "	1904 × 1071	218	277	317	509
87 "	1926 × 1083	225	284	321	513
88 "	1948 × 1096	232	291	324	516
89 "	1970 × 1108	238	297	328	520
90 "	1992 × 1121	245	217	331	524
91 "	2015 × 1133	252	224	335	527
92 "	2037 × 1146	259	230	339	531
93 "	2059 × 1158	265	237	342	534
94 "	2081 × 1171	272	244	346	538
95 "	2103 × 1183	279	251	349	541
96 "	2125 × 1195	285	257	353	545
97 "	2147 × 1208	292	264	356	549
98 "	2170 × 1220	299	271	360	552
99 "	2192 × 1233	306	277	364	556
100 "	2214 × 1245	312	284	367	559

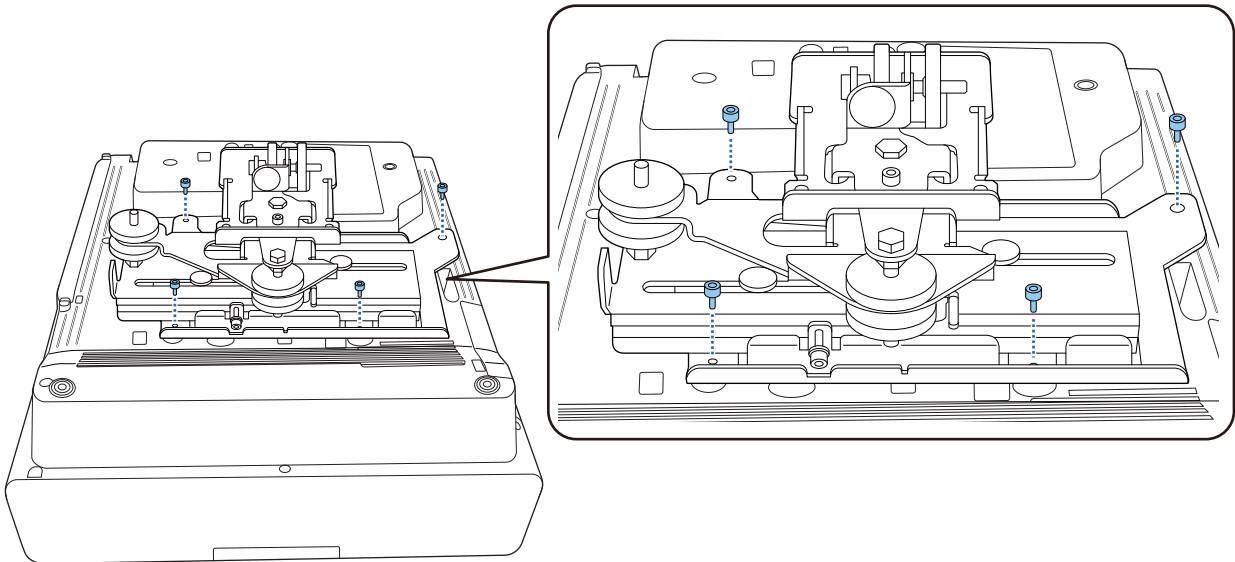
■ Attaching the adjustment unit to the projector

1 Loosen the M4 bolt on the adjustment unit, and then align the marks for each part



When the position is correct, tighten the M4 bolt.

2 Secure the adjustment unit to the base of the projector with the M4 x 12 mm bolts (x4) supplied

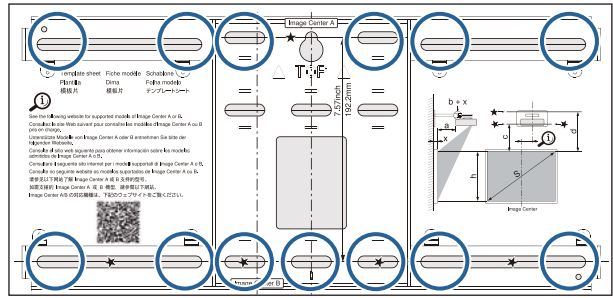






**3** Determine the positions for the mounting holes for the wall plate

From the screw holes shown in the figure below, secure at least four points at the top, bottom, left, and right for optimum balance.

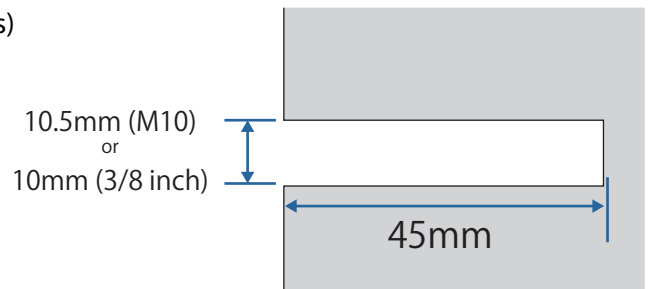



**4** Drill the holes in the wall

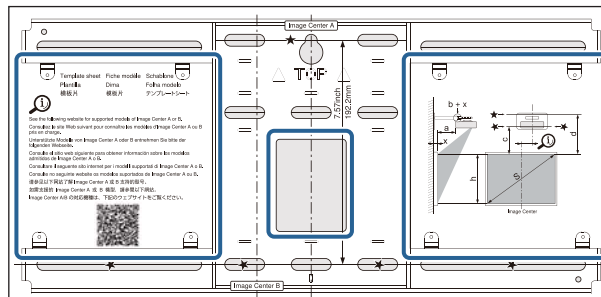
Drill diameter: 10.5 mm (M10) or 10 mm (3/8 inches)

Pilot hole depth: 45 mm

Anchor hole depth: 40 mm



 When routing cables to the projector through a wall, you can drill holes within the area shown in the figure below and use them as cable routing holes.

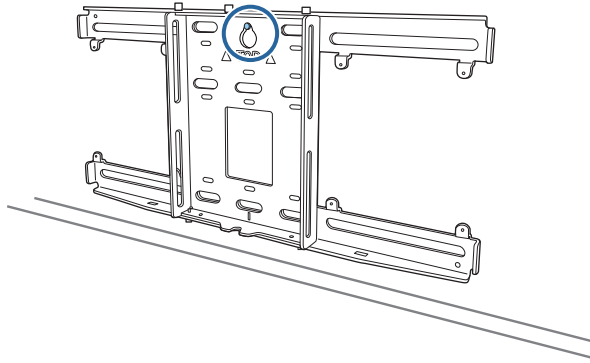


When installing a mini-PC or a stick PC, check the position at which the mini PC plate will be installed before drilling cable routing holes. ( [p.55](#) )

**5** Remove the template sheet

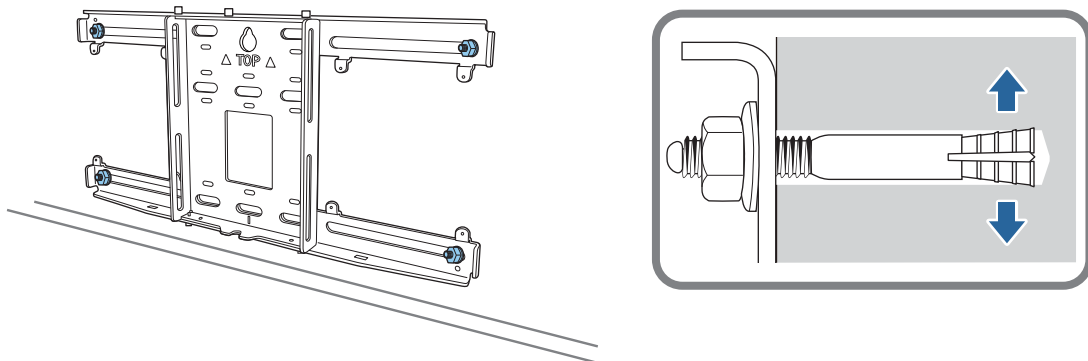
6

Place the wall plate on the temporary M10 screw that you installed in step 2



7

Use commercially available M10 or 3/8 inch x 60 mm anchor bolts to secure the wall plate to the holes you drilled in step 4

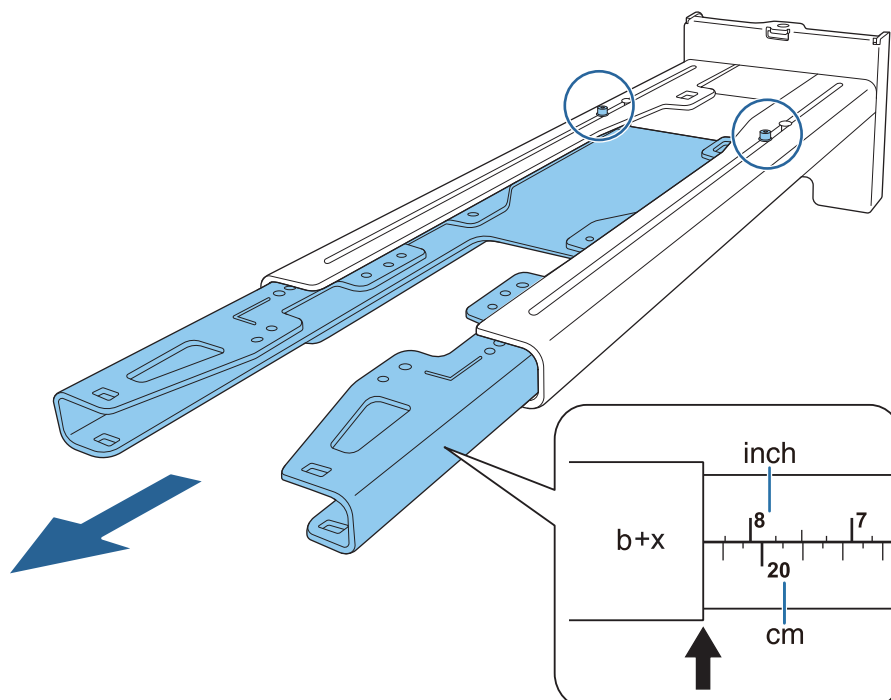


Attaching the setting plate to the wall plate

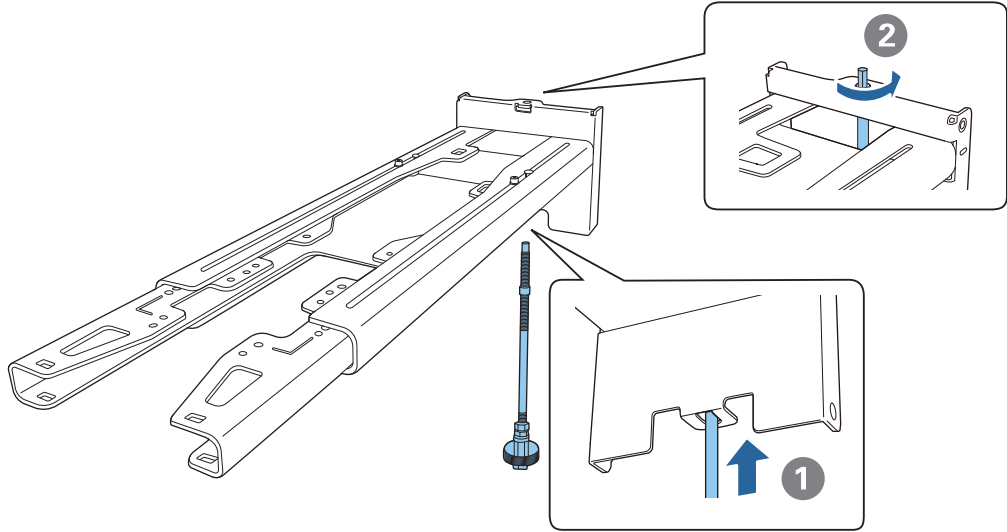
1

Loosen the M4 x 12 mm bolts (x2) and extend the arm slide on the setting plate

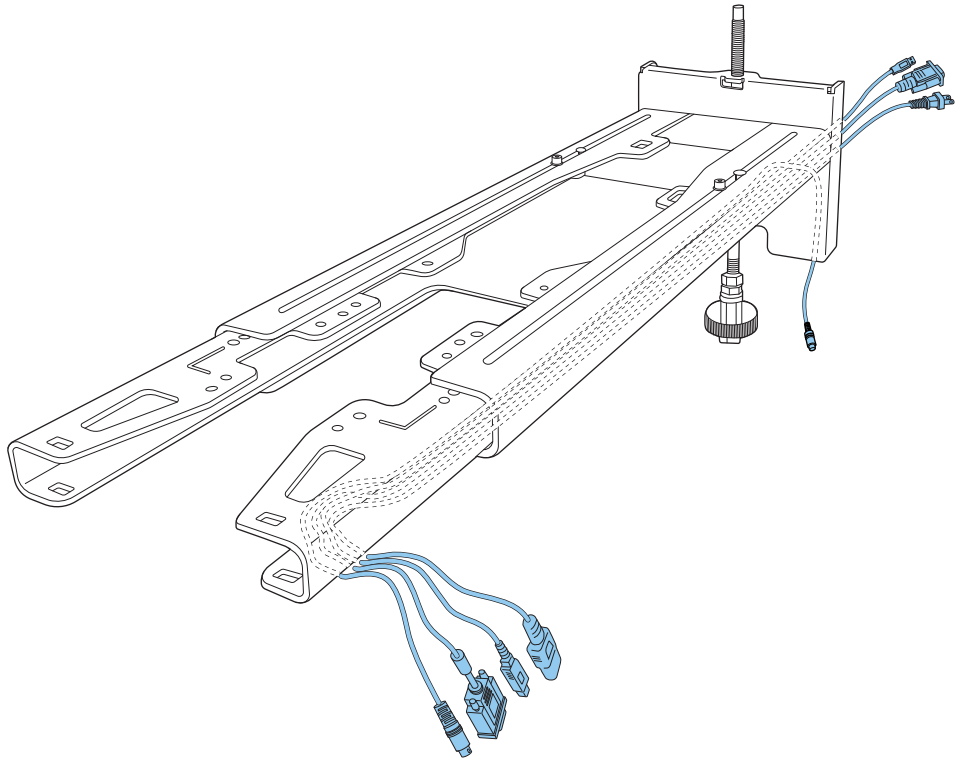
Adjust the scale on the slider to the combined distance of the value for (b) confirmed in the projection distance table ( p.30) and the thickness of the projection surface (x).




2 Insert the hexagonal axis into the setting plate



3 Route the necessary cables through the setting plate



 Warning

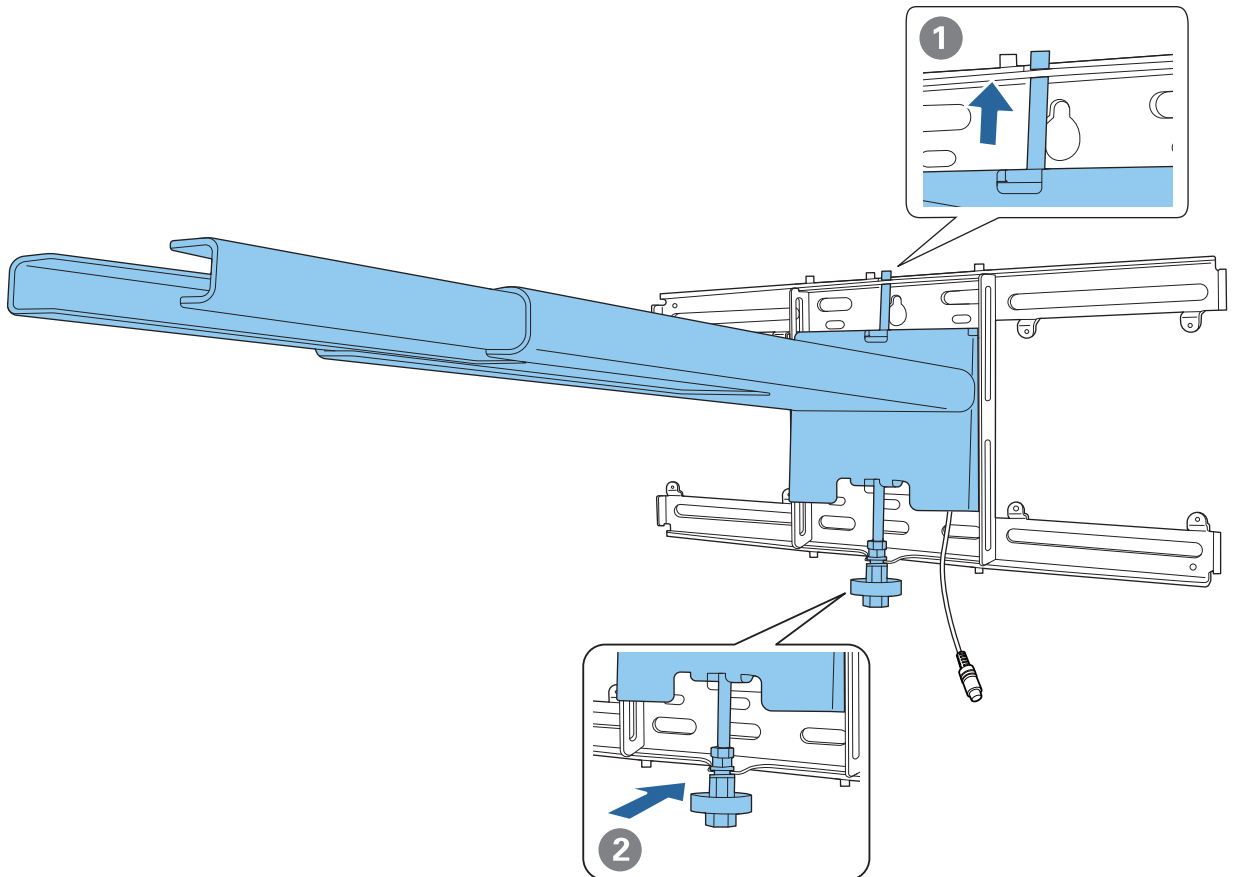
Do not hang the rest of the cable over the setting plate. They could fall and cause an accident.



The following connection ports should be routed so that they come out of the lower part of the setting plate and not through walls.

- Port to be connected to the touch unit
- Port to be connected to peripheral devices such as mini-PCs

- 4** Attach the setting plate to the wall plate  
Insert the hexagonal axis until the tip extends slightly out of the top of the wall plate and the other end connects to the bottom of the wall plate.



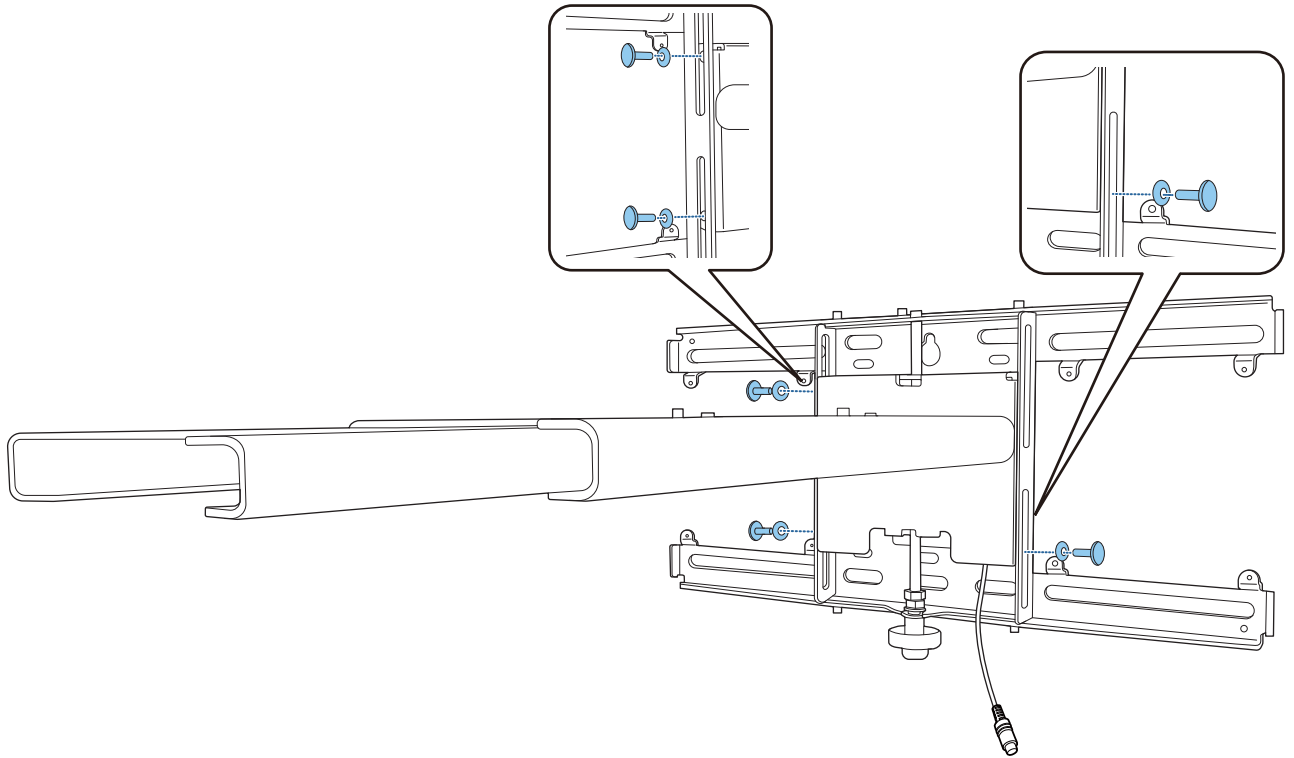
**!** Caution

Take care not to trap the cables between the setting plate and wall plate.

5

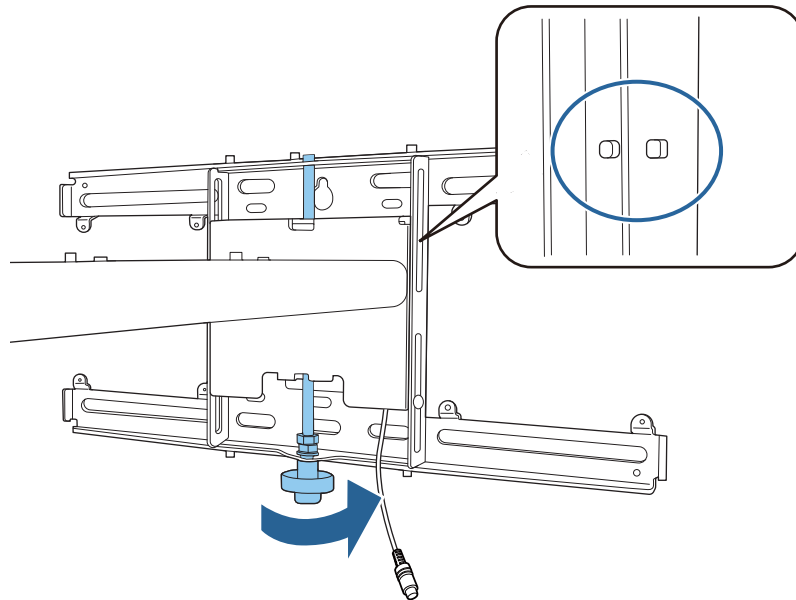
Temporarily secure the setting plate

Secure three points with the M6 screws supplied (x3).

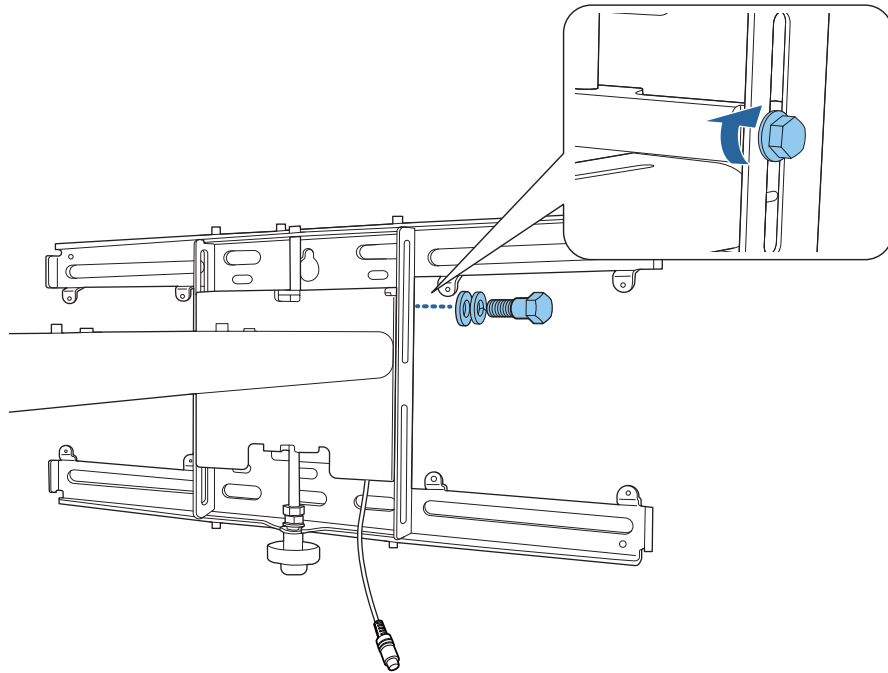


6

Rotate the bottom of the hexagonal axis with a 17 mm ratchet wrench to align the marks on the wall plate and the setting plate



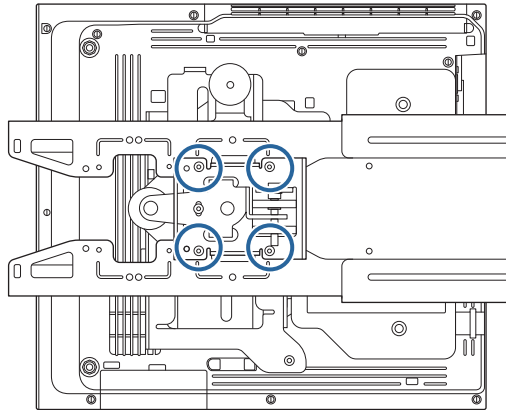
7 Tighten the M6 bolt (x1) to secure the setting plate in position



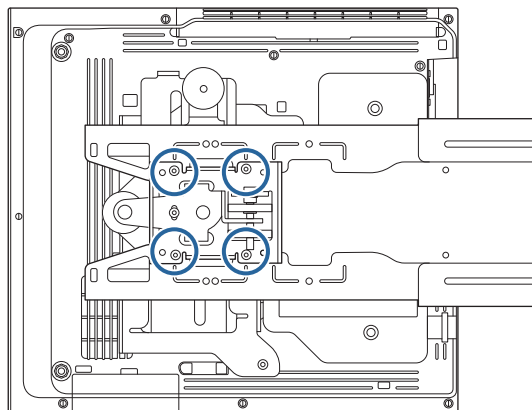
## ■ Attaching the adjustment unit to the setting plate

**1** Check the installation position for the adjustment unit  
The installation position is marked on the setting plate. Install at an appropriate position according to the size of the screen you want to project on to.

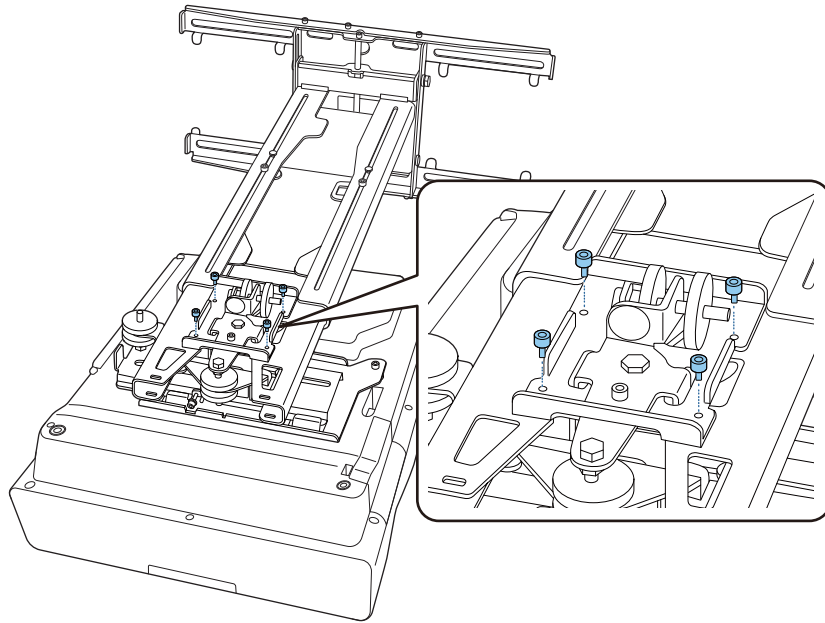
- When a projected image is smaller than 90 inches: Install the unit at the ○ mark.



- When a projected image is 90 inches or more: Install the unit at the ○ ○ mark.



**2** Attach the adjustment unit to the setting plate with the M4 x 12 mm bolts (x4) supplied



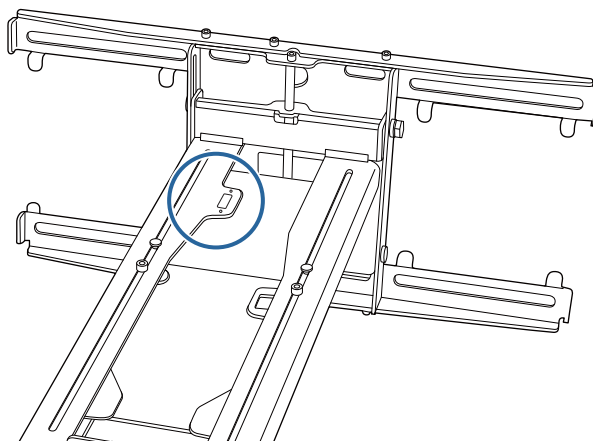
**3** Connect the cables to the projector  
Connect the power cord last.

**Attaching peripheral devices**

---

**Attaching a switcher or a tuner**

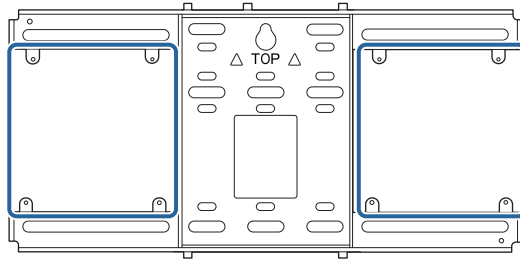
Use commercially available M4 screws to secure a switcher or a tuner to the screw holes as shown in the following figure.



**Attaching a mini PC or stick PC**

Attach the mini PC or stick PC to the mini PC plate, and secure it to the left or right side of the wall plate.





Attach it so that the air exhaust vents of the PC are not blocked.

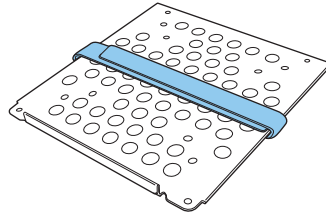
We recommend installing the PC so that the air exhaust vents are at the top and the air intake vents are at the bottom.

When securing with the mini PC belt

---

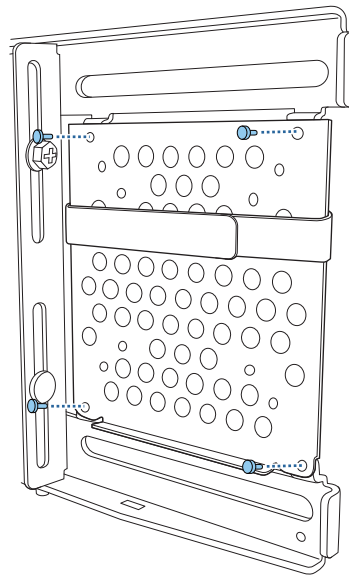
1

Wrap the belt around the mini PC plate



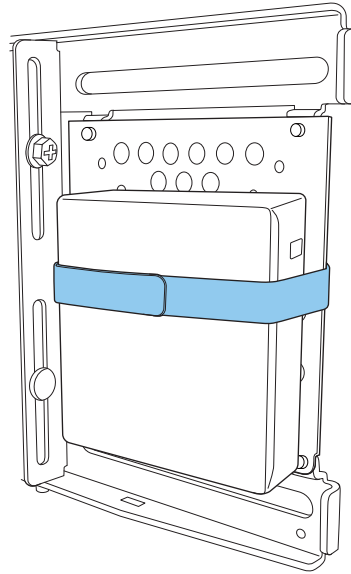
2

Secure the mini PC plate to the wall plate using the M3 x 6 mm screws (x4) supplied.



3

Place the PC on the lower edge of the mini PC plate, and secure it with the belt

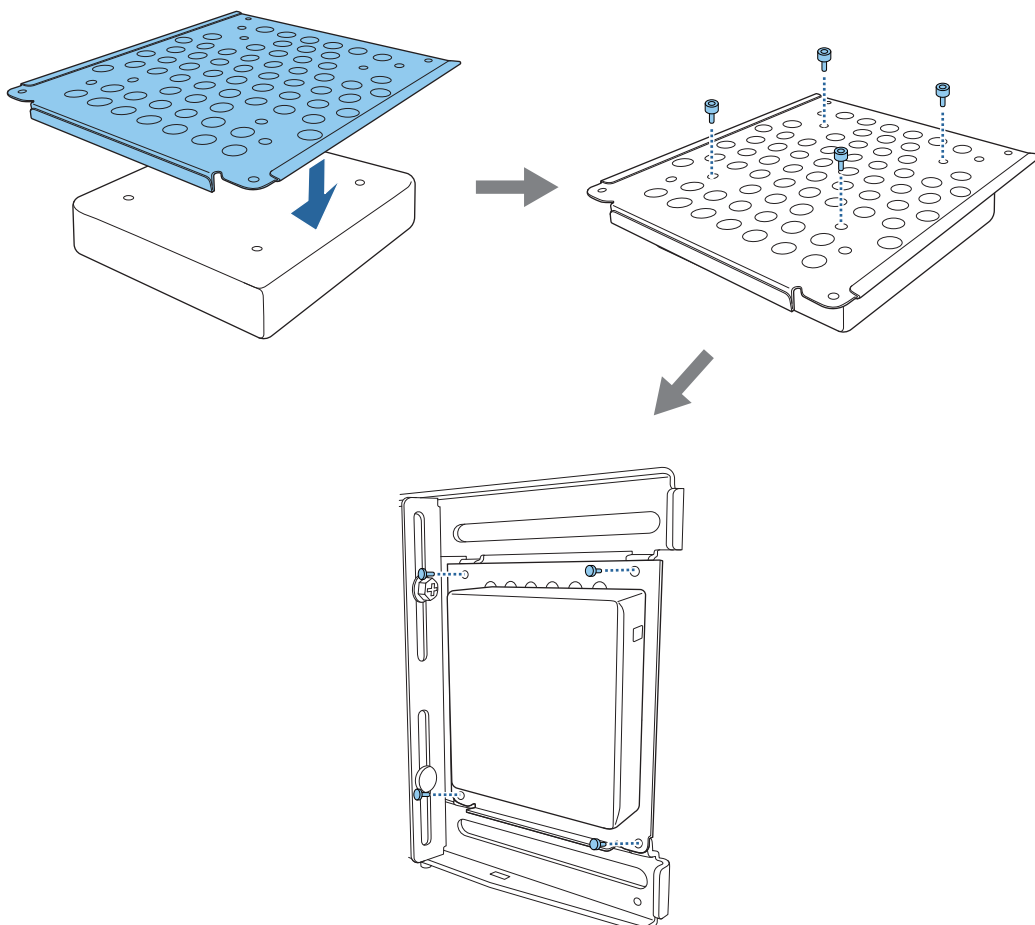


### When securing with screws

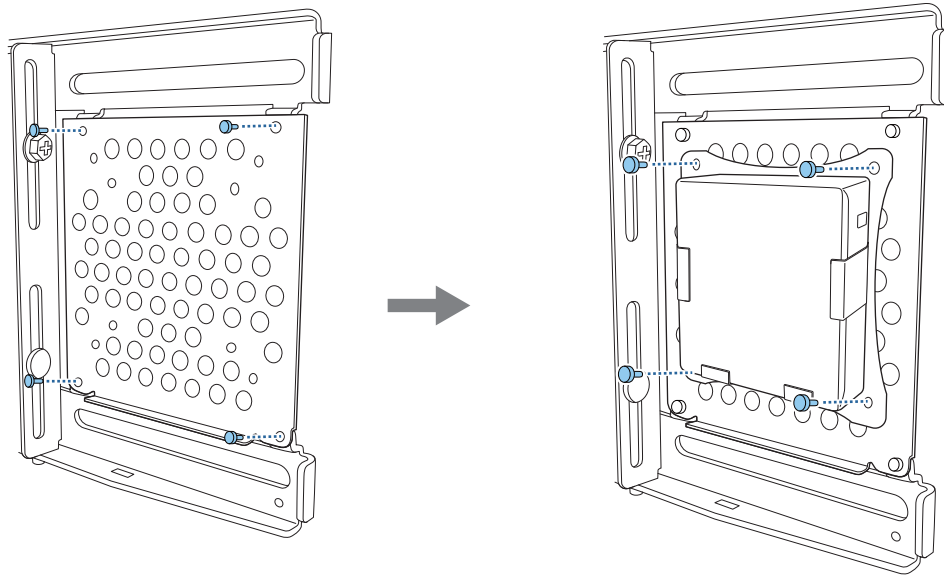
Depending on the shape of the mini PC and the orientation of the screw holes, the order in which parts are installed differs. Be sure to check the installation instructions in advance.

### Installation example

- Secure the mini PC plate with the PC installed to the wall plate using the M3 x 6 mm screws (x4) supplied.




- Secure the mini PC plate to the wall plate using the M3 x 6 mm screws (x4) supplied, and then install the PC.



### Adjusting the Position of the Projected Image

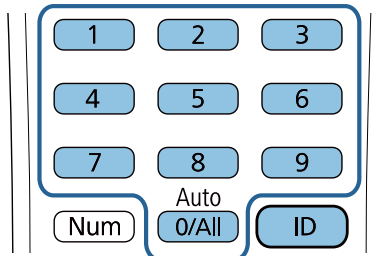
You can use any of the following methods to adjust the position of the projected image.

 When multiple projectors are installed in the same room, we recommend that you set projector IDs to prevent remote control interference.

Turn on a projector and set the ID number for the projector in **Installation > Projector ID**.

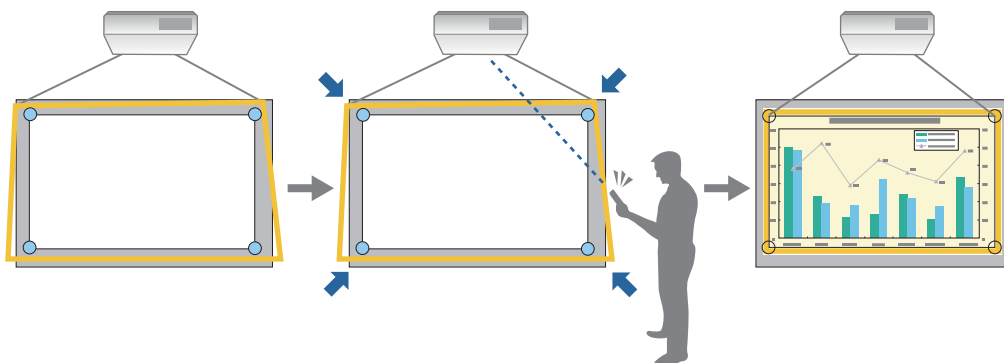
(When using EB-770Fi, set from **Multi-Projection - Projector ID**.)

When you want to operate a specific projector, hold down the [ID] button on the remote control and press the button with the same number as the projector ID.



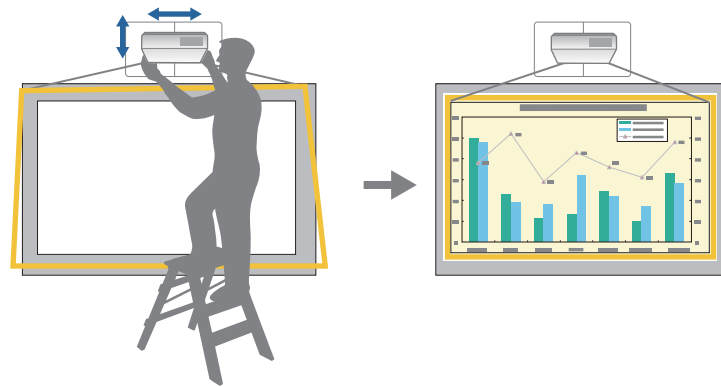
- Auto Screen Adjustment ( [p.61](#) )

Attach corner markers (supplied with the projector) to the four corners of the projection position to automatically adjust the position of the image. This is useful when you want to perform an approximate adjustment to a specific position.



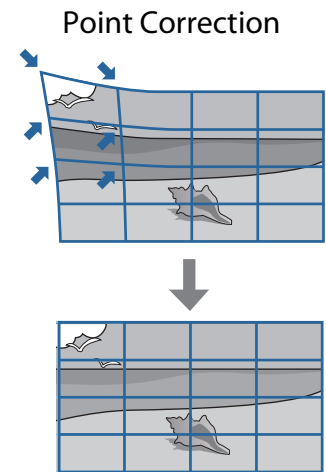
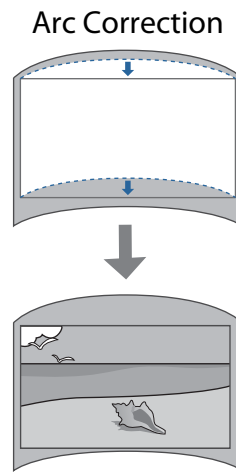
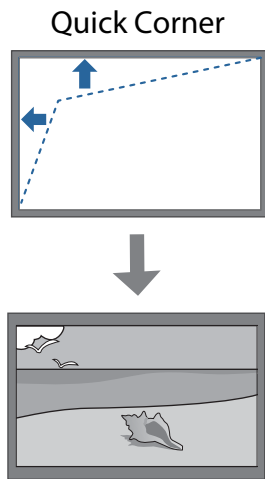
- Adjusting using the Setting Plate Installation Guide ( [p.65](#) )

Manually adjust the position of the setting plate according to the guide screen displayed. This is useful when you want to perform fine adjustments to the projection position while maintaining the image quality.



- Adjusting using the projector menus ( p.68)

Select the area you want to adjust and manually correct the image. This is useful when you want to make fine adjustments to the projection position after making mechanical adjustments using the guide screen.

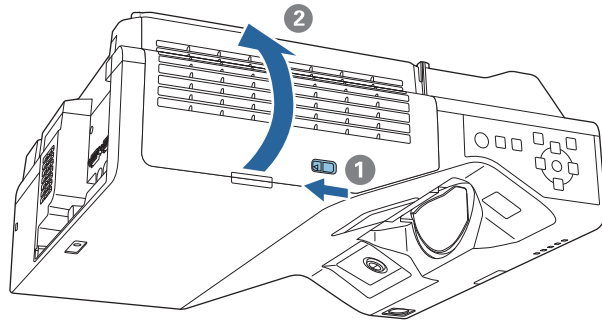


- Images are not stable immediately after turning on the projector. After starting projection, wait for at least 30 minutes before adjusting the image.
- Install and adjust the projector at a room temperature that is close to the actual intended usage environment. If the temperature changes, the position of the image may shift or the accuracy of the pen may decline.
- When setting up multiple projectors using the batch setup function, perform the batch setup before adjusting the projected image.
- We recommend the mechanical position adjustment of the setting plate to adjust the image when you want to maintain image quality.

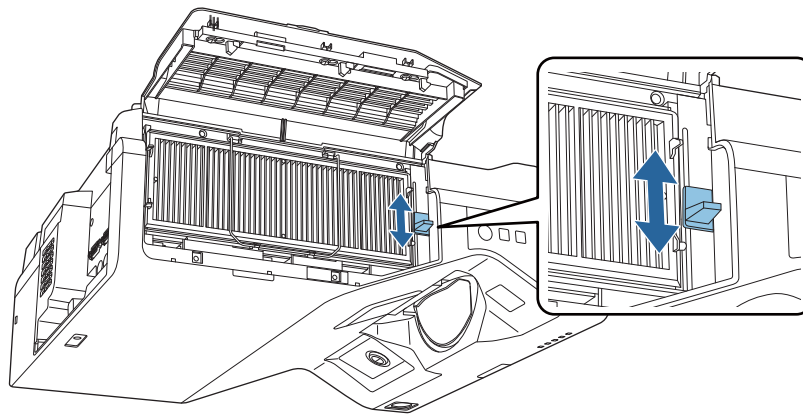
### ■ Preparations before adjusting

- 1 Press the [ ⏻ ] button on the remote control or the control panel to turn on the projector

**2** Open the air filter cover on the side of the projector

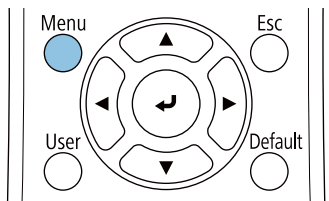


**3** Use the focus lever to approximately focus the image

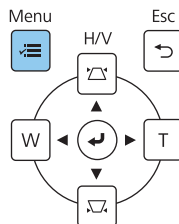


**4** Press the [Menu] button

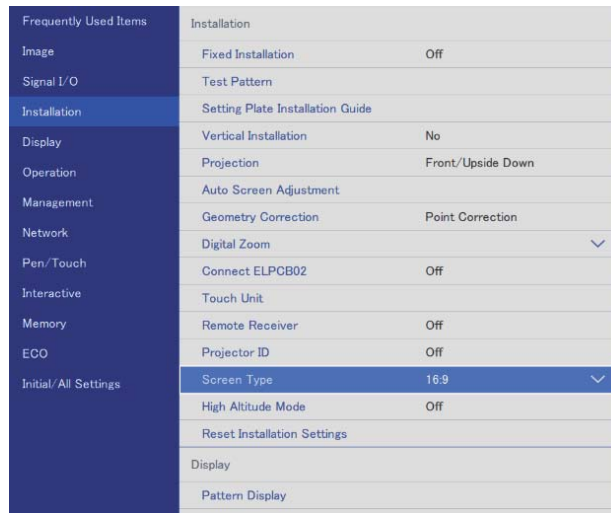
Using the Remote Control



Using the Control Panel



**5** Select **Screen Type** from the **Installation** menu to set the aspect ratio of the projected image



**6** Change the aspect ratio if necessary  
Project images from a connected device, and then press the [Aspect] button on the remote control. Each time you press the button, you see the aspect name on the screen and the aspect ratio changes.



The aspect ratio does not change when no images are being projected from the connected device.

## Auto Screen Adjustment

Attach corner markers (supplied with the projector) to the four corners of the projection position to automatically adjust the position of the image.

Auto Screen Adjustment works correctly under the following conditions.

- Projection size: 100 inches or less
- Projector direction: Within  $\pm 1^\circ$  up, down, left, or right



- Auto Screen Adjustment may not work properly depending on the surface of the projected screen. The following conditions are necessary to perform Auto Screen Adjustment.
  - A flat projection surface
  - No patterns, dirt, or obstacles on the projection surface
- Before performing the Auto Screen Adjustment, set the Screen Type setting first. If you change the Screen Type after performing Auto Screen Adjustment, the adjustments will be reset.

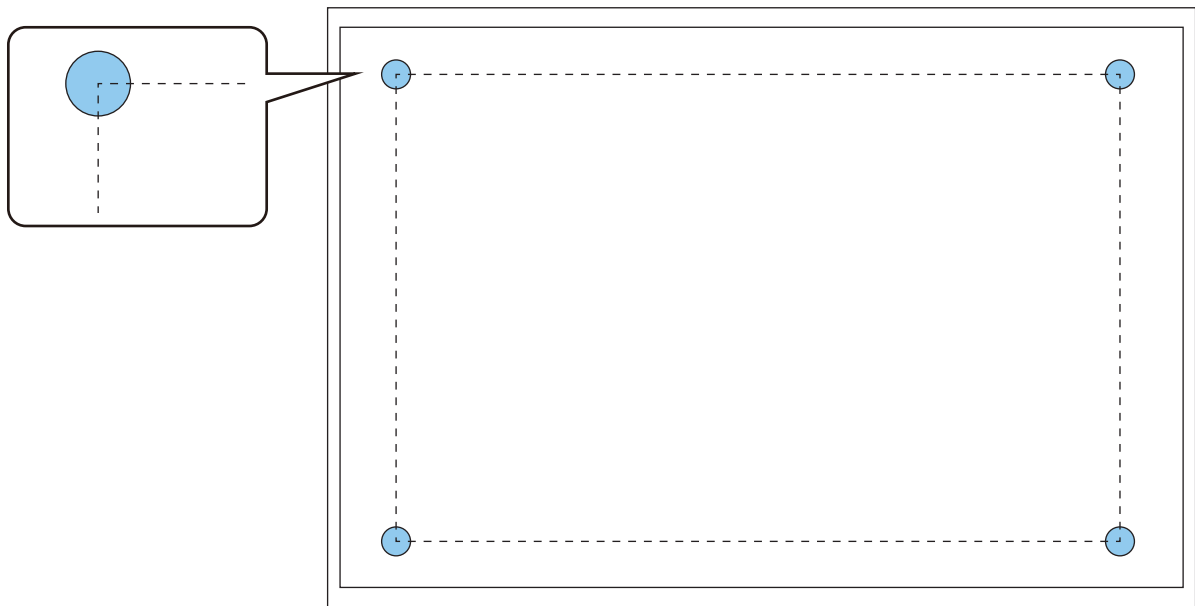
**1** Place the corner markers supplied with the projector at the four corners of the position you want to project to



- Corner markers cannot be placed again. We recommend marking the position where you want to place the markers in advance.
- If you want to replace markers repeatedly, stick them onto the magnetic sheet supplied with the projector.

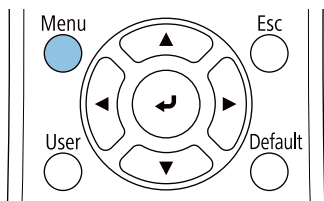


Place the markers so that the corners of the projection position overlap with the center of the corner markers.

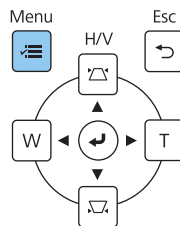


**2** Press the [Menu] button

Using the Remote Control



Using the Control Panel



3

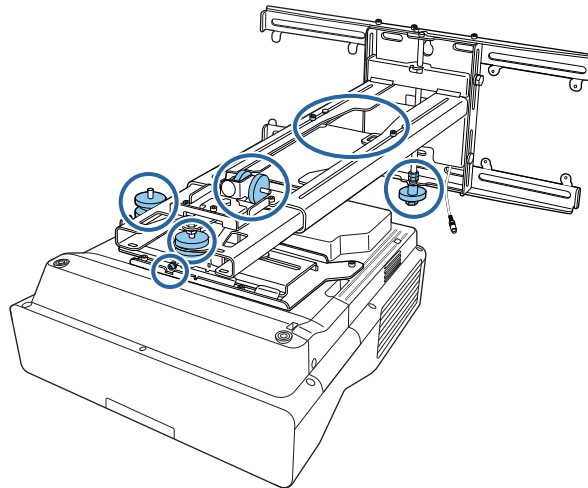
Select **Auto Screen Adjustment** from the **Installation** menu

Frequently Used Items	Installation	
Image	Fixed Installation	Off
Signal I/O	Test Pattern	
Installation	Setting Plate Installation Guide	
Display	Vertical Installation	No
Operation	Projection	Front/Upside Down
Management	Auto Screen Adjustment	
Network	Geometry Correction	Point Correction
Pen/Touch	Digital Zoom	▼
Interactive	Connect ELPCB02	Off
Memory	Touch Unit	
ECO	Remote Receiver	Off
Initial/All Settings	Projector ID	Off
	Screen Type	16:9 ▼
	High Altitude Mode	Off
	Reset Installation Settings	
	Display	
	Pattern Display	

You see the guidance screen for Auto Screen Adjustment.

4

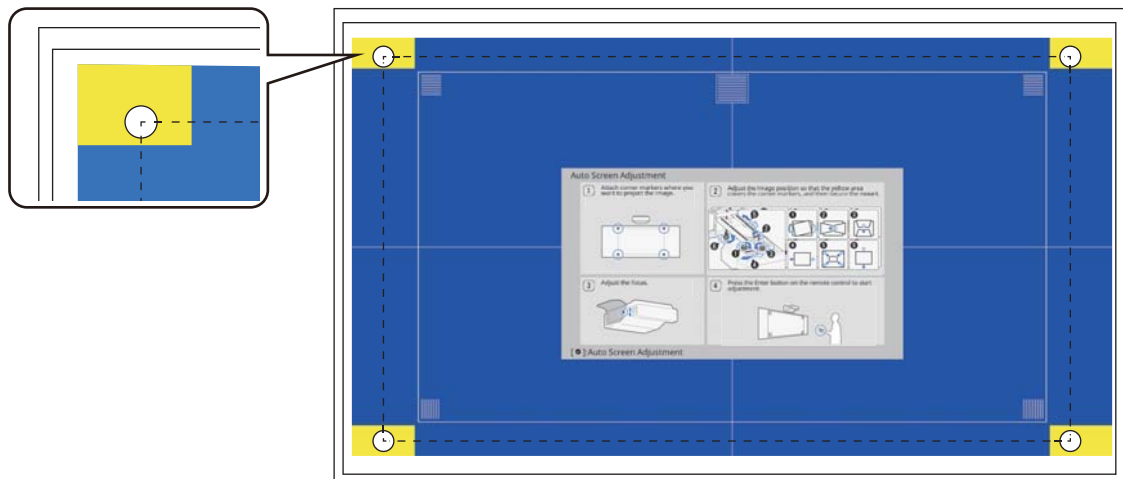
Loosen all of the adjustment dials and adjustment screws



5

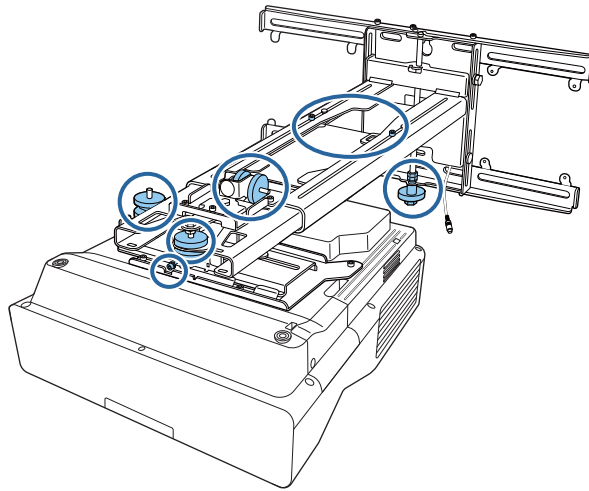
Move the projector to adjust the position of the image so that the yellow areas at the four corners of the guidance screen overlap with the corner markers


Make sure that all of the corner markers are within the yellow areas.





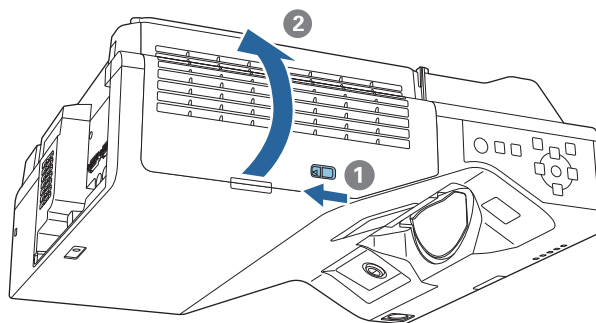
- 6 When you determine the position, tighten all of the adjustment dials and adjustment screws that you loosened in step 4



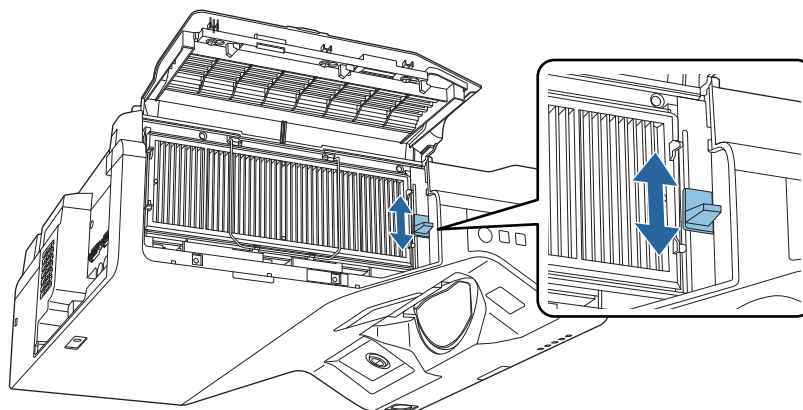
 **Warning**

Tighten all bolts and screws firmly. Otherwise, the product may fall and cause personal injury or property damage.

- 7 Open the air filter cover on the side of the projector



- 8 Use the focus lever to approximately focus the image



**9** Press the [Enter] button to start auto adjustment

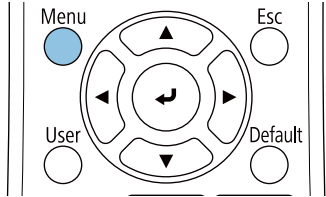
When auto adjustment is complete, use Quick Corner ( p.70) to make further adjustments. Using Arc Correction or Point Correction returns the image to the status before auto correction was performed.

**■** Performing mechanical adjustment using the Setting Plate Installation Guide

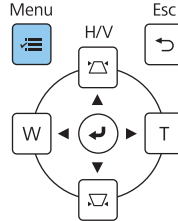
Use the guidance screen to adjust the position of the image.

**1** Press the [Menu] button

Using the Remote Control



Using the Control Panel

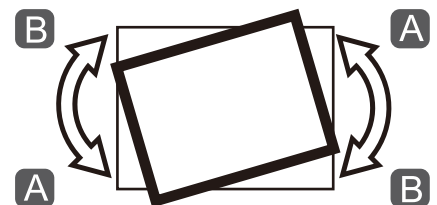
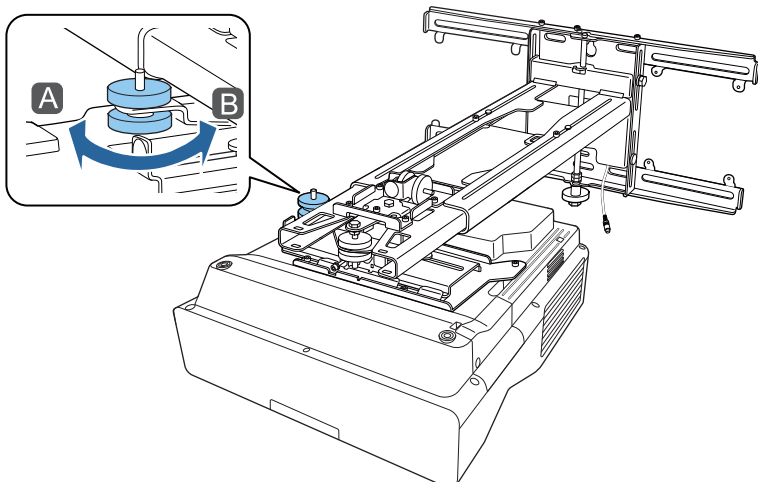


**2** Select **Setting Plate Installation Guide** from the **Installation** menu

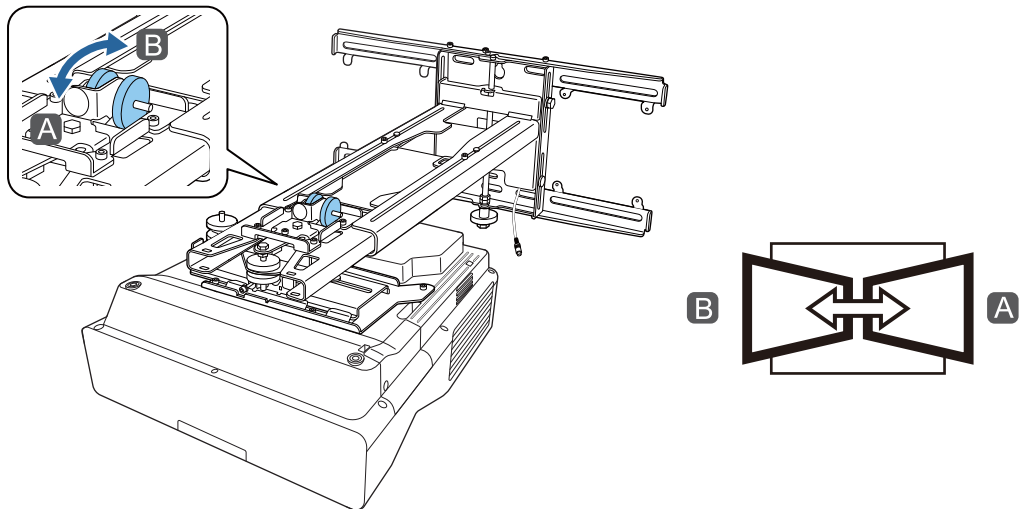
Frequently Used Items	Installation	
Image	Fixed Installation	Off
Signal I/O	Test Pattern	
Installation	Setting Plate Installation Guide	
Display	Vertical Installation	No
Operation	Projection	Front/Upside Down
Management	Auto Screen Adjustment	
Network	Geometry Correction	Point Correction
Pen/Touch	Digital Zoom	
Interactive	Connect ELPCB02	Off
Memory	Touch Unit	
ECO	Remote Receiver	Off
Initial/All Settings	Projector ID	Off
	Screen Type	16:9
	High Altitude Mode	Off
	Reset Installation Settings	
	Display	
	Pattern Display	

You see the guidance screen.

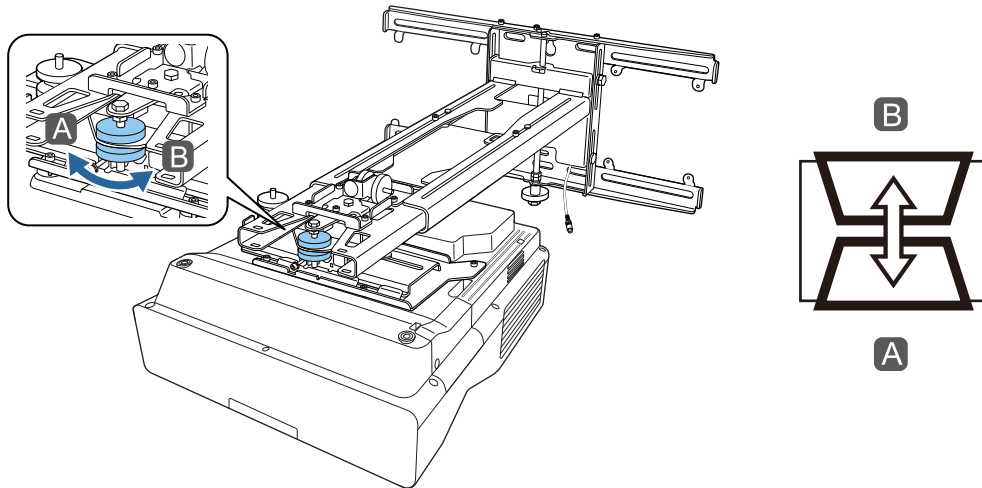
**3** Turn the adjustment dial **1** in the installation guide to adjust the horizontal roll



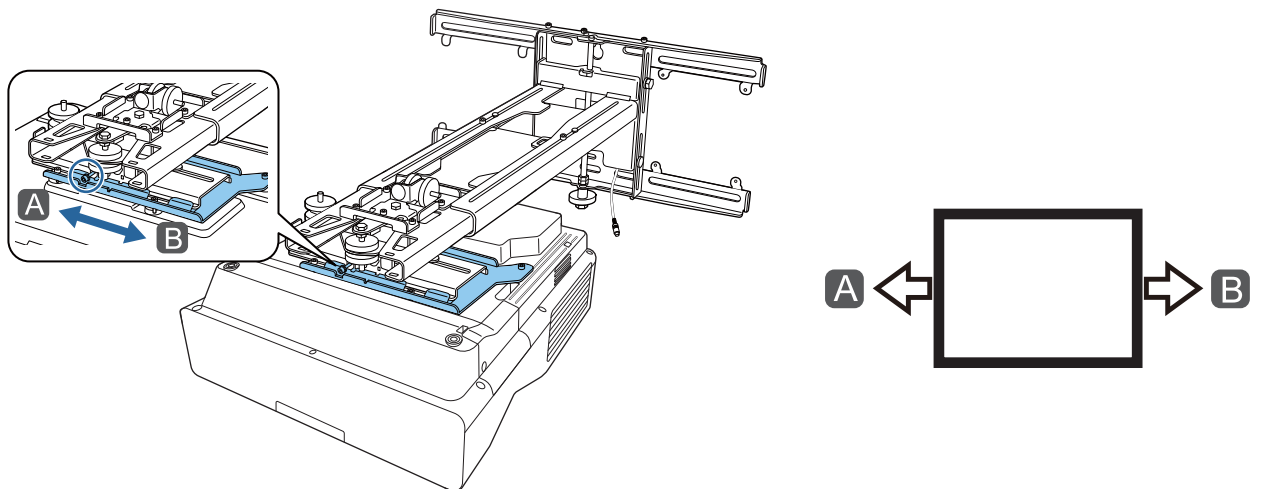
4 Turn the adjustment dial ② in the installation guide to adjust the horizontal rotation



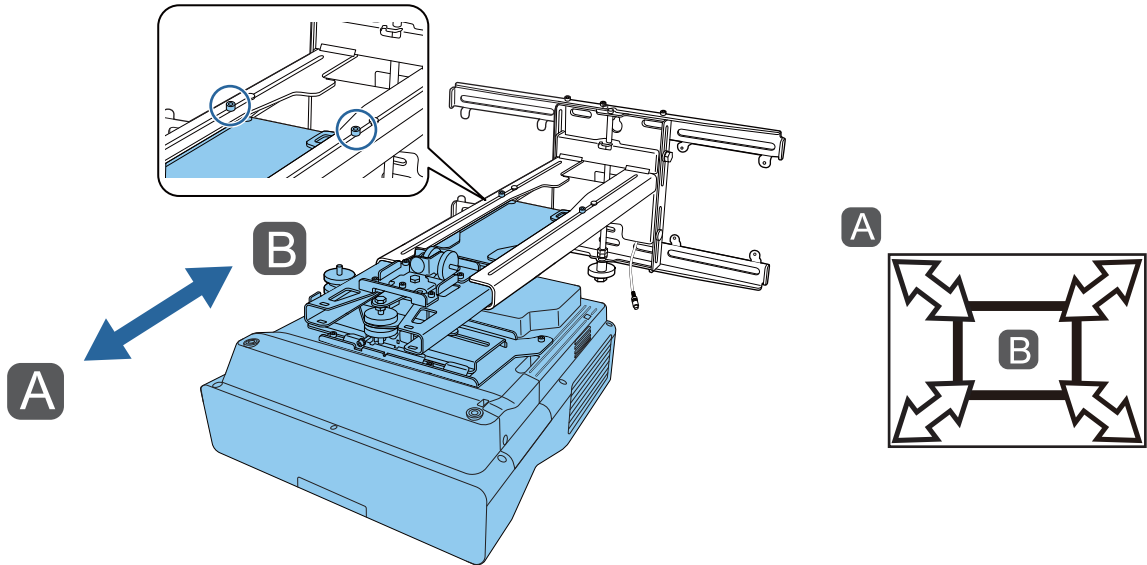
5 Turn the adjustment dial ③ in the installation guide to adjust the vertical tilt



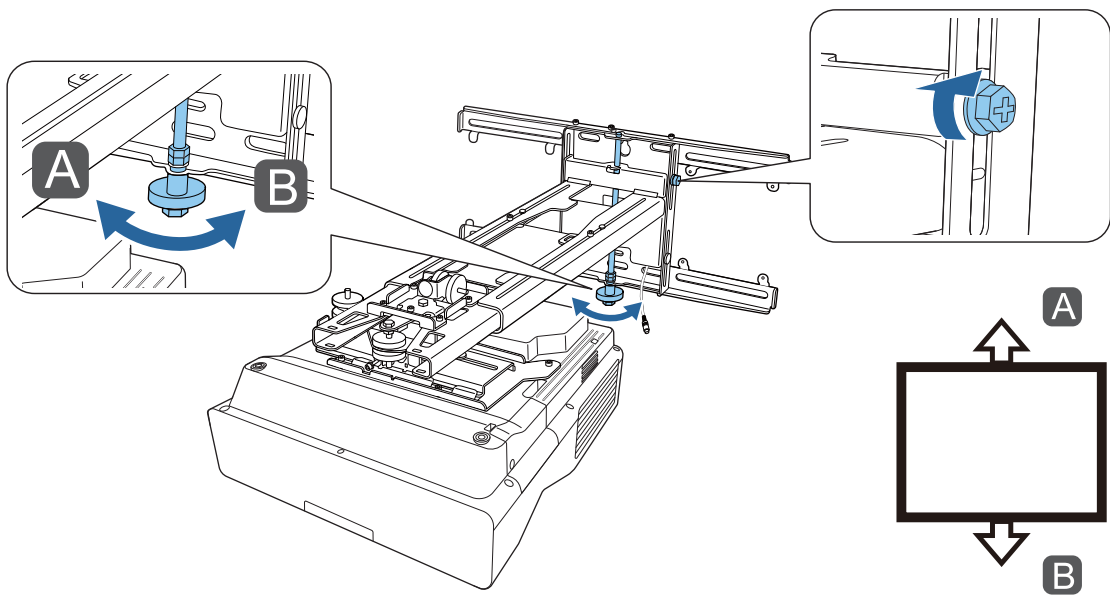
6 Loosen the M4 bolt, and then adjust the horizontal slide



7 Loosen the M4 bolts (x2), and then adjust the forward/backward slide



8 Loosen the M6 bolt, and then adjust the vertical slide



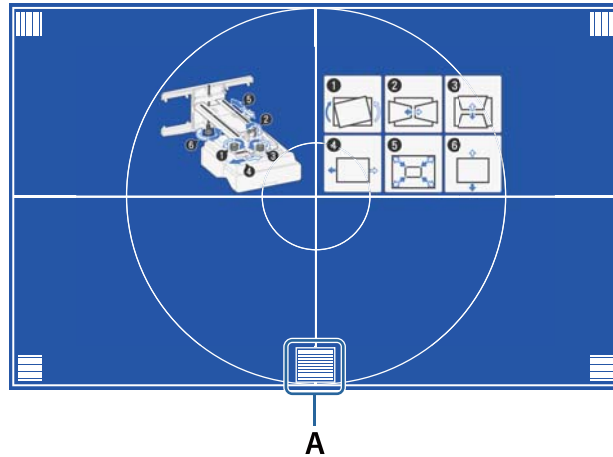
9 Re-tighten the screws and bolts that you loosened in steps 3 to 8

 **Warning**

Tighten all bolts and screws firmly. Otherwise, the product may fall and cause personal injury or property damage.

10

Adjust the focus of position A in the following figure



11

When you have finished making adjustments, press the [Esc] button on the remote control or the control panel to exit the guidance screen

Adjusting using the projector menus



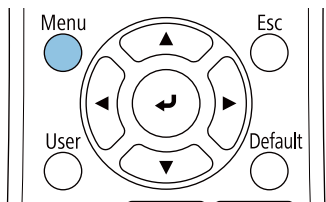
- You can save adjusted values in **Memory** from the **Geometry Correction** menu.
- Before performing the adjustment, set the Screen Type setting first. If you change the Screen Type after making corrections, the corrections will be reset.

Arc Correction

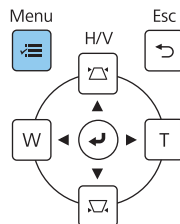
1

Press the [Menu] button

Using the Remote Control



Using the Control Panel



2

## Select **Geometry Correction** from the **Installation** menu

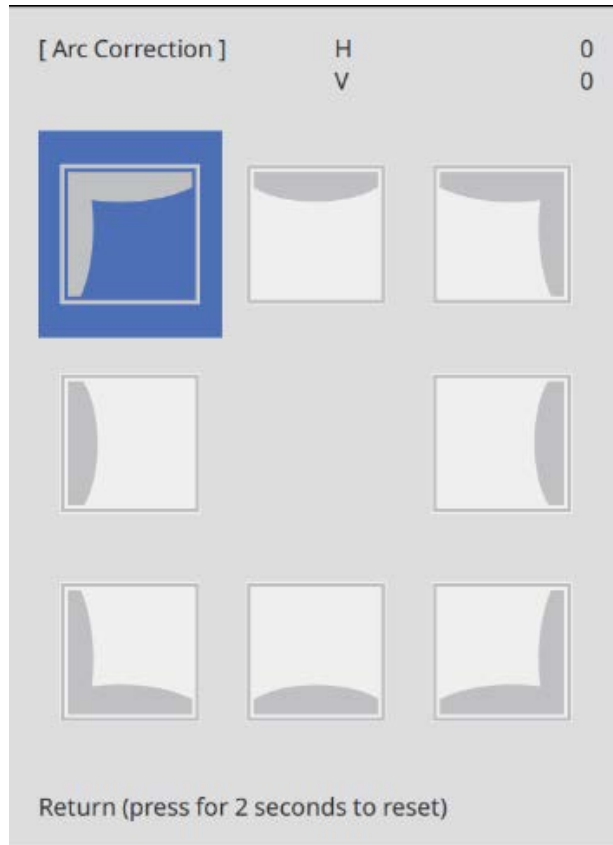
Frequently Used Items	Installation
Image	Fixed Installation Off
Signal I/O	Test Pattern
Installation	Setting Plate Installation Guide
Display	Vertical Installation No
Operation	Projection Front/Upside Down
Management	Auto Screen Adjustment
Network	Geometry Correction Point Correction
Pen/Touch	Digital Zoom
Interactive	Connect ELPCB02 Off
Memory	Touch Unit
ECO	Remote Receiver Off
Initial/All Settings	Projector ID Off
	Screen Type 16:9
	High Altitude Mode Off
	Reset Installation Settings
	Display
	Pattern Display

3

## Select **Arc Correction**

[ Geometry Correction ]	Return
H/V-Keystone	
Quick Corner	
✓ Arc Correction	
Point Correction	
Memory	

4 Select the side you want to correct and make adjustment

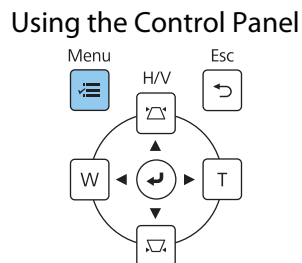
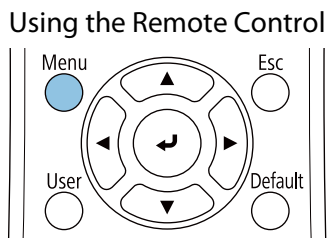


When you reach a range that cannot be adjusted, you see the message **Cannot adjust any further.** displayed.

5 When you have finished making adjustments, press the [Esc] button on the remote control or the control panel to finish adjustment

Quick Corner

1 Press the [Menu] button



2

## Select **Geometry Correction** from the **Installation** menu

Frequently Used Items	Installation
Image	Fixed Installation Off
Signal I/O	Test Pattern
Installation	Setting Plate Installation Guide
Display	Vertical Installation No
Operation	Projection Front/Upside Down
Management	Auto Screen Adjustment
Network	Geometry Correction Point Correction
Pen/Touch	Digital Zoom
Interactive	Connect ELPCB02 Off
Memory	Touch Unit
ECO	Remote Receiver Off
Initial/All Settings	Projector ID Off
	Screen Type 16:9
	High Altitude Mode Off
	Reset Installation Settings
	Display
	Pattern Display

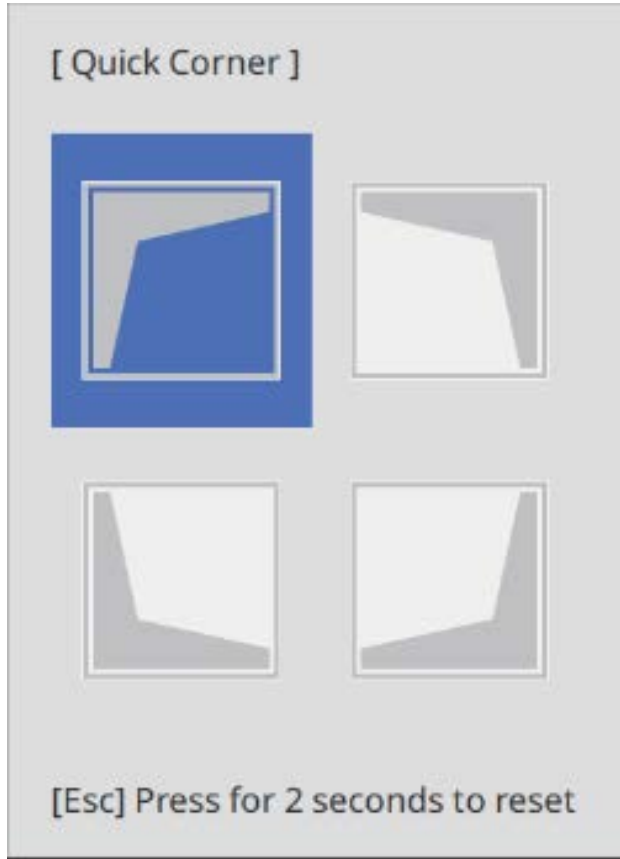
3

## Select **Quick Corner**


[ Geometry Correction ]	Return
H/V-Keystone	
✓ Quick Corner	
Arc Correction	
Point Correction	
Memory	



**4** Select the side you want to correct and make adjustment



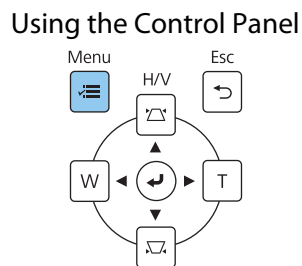
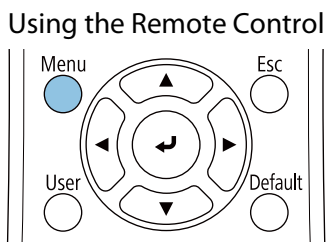
When you reach a range that cannot be adjusted, you see the message **Cannot adjust any further.** displayed.

 While adjusting the sides, press buttons [1], [3], [7], and [9] on the remote control to select the side you want to adjust.

**5** When you have finished making adjustments, press the [Esc] button on the remote control or the control panel to finish adjustment

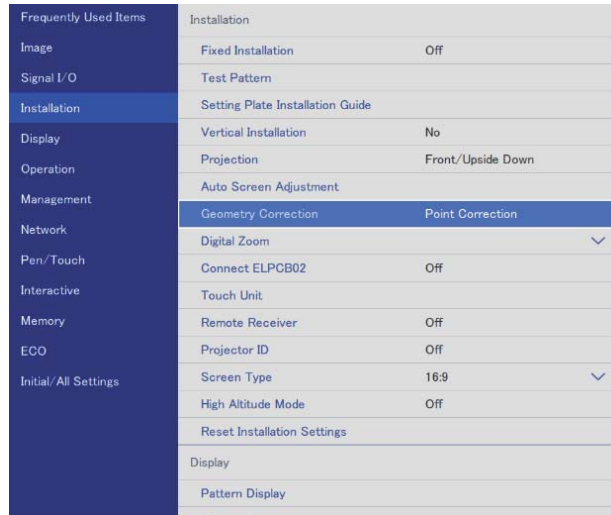
Point Correction

**1** Press the [Menu] button



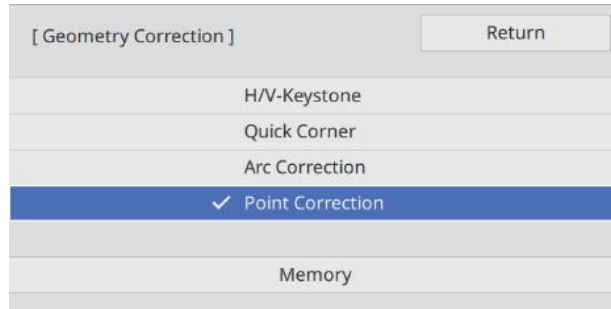
2

Select **Geometry Correction** from the **Installation** menu



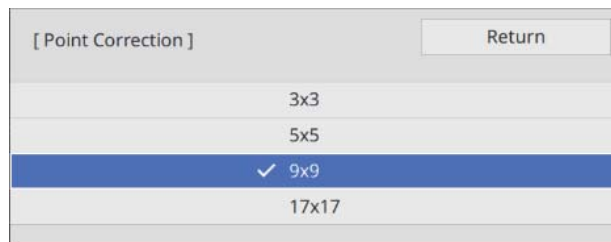
3

Select **Point Correction**



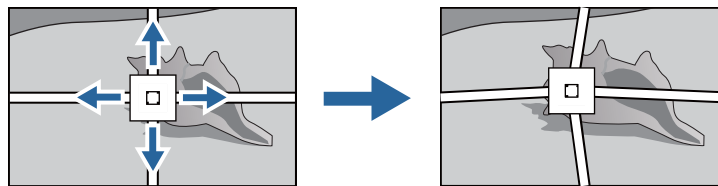
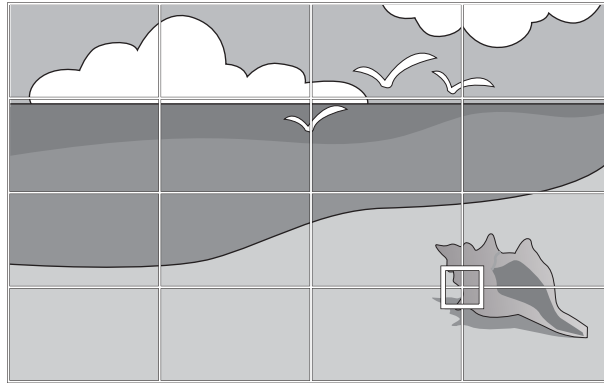
4

Select **Point Correction** and then select the number of grid



5

Select the points you want to correct and make adjustment



If it is hard to see the grid, use **Pattern Color** to change the color of the grid.

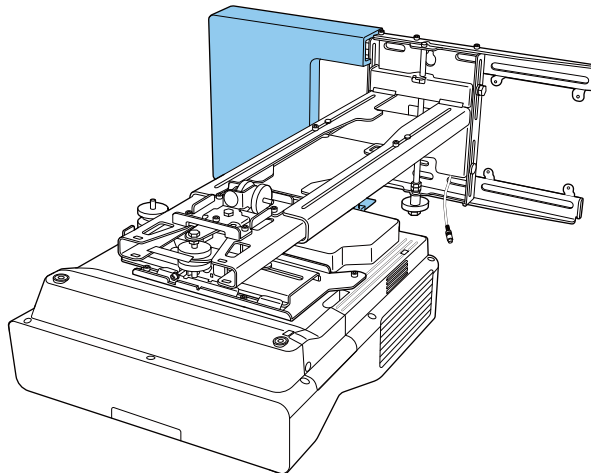
6

When you have finished making adjustments, press the [Esc] button on the remote control or the control panel to finish adjustment

## Attaching the Covers

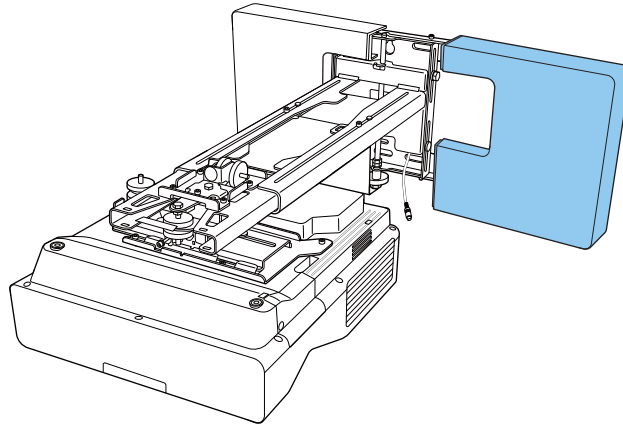
1

Attach the left wall plate cover



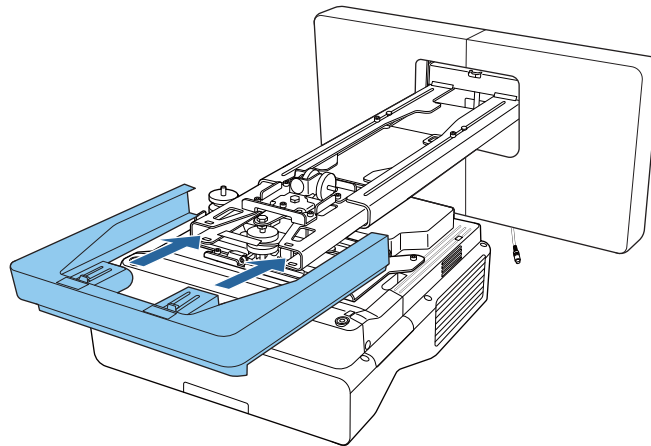
2

Attach the right wall plate cover

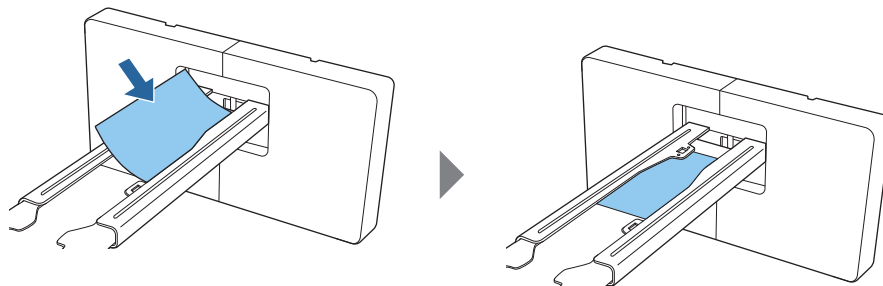


3

Fit the end cap to the setting plate



If you are concerned about the groove in the arm, stick the supplied masking sticker.

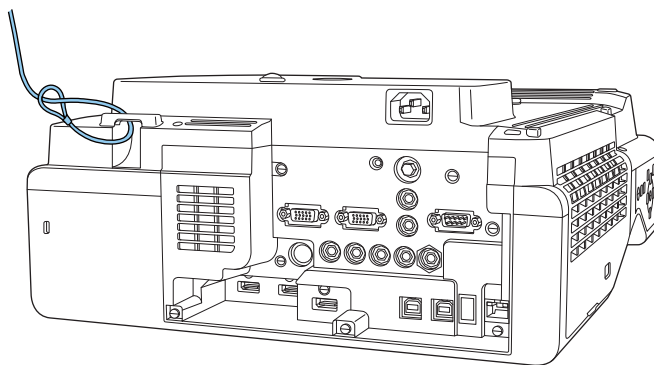


## Attaching a Security Cable

Perform one of the following security measures if necessary.

- Install a commercially available theft-prevention wire lock

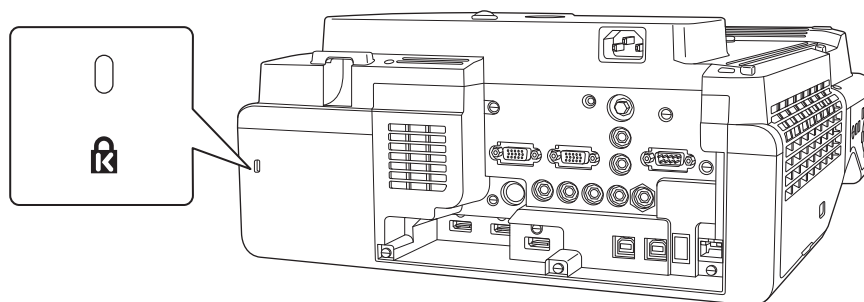
Pass the wire lock through the security cable installation points on the projector and the setting plate.



- Install a security wire from Kensington

The security slot on this product is compatible with the Microsaver Security System manufactured by Kensington. See the following for more details on the Microsaver Security System.

<http://www.kensington.com/>



## Notes on the Pen Stand

### Warning

Do not go near the pen stand if you are using medical equipment such as a pace maker. Furthermore, when using the pen stand, make sure there is no one using medical equipment such as a pace maker, in the surrounding area.

A powerful magnet within the unit generates electromagnetic interference which may cause medical equipment to malfunction.



### Caution

Do not go near the pen stand with magnetic storage media such as magnetic cards, or precision electronic devices such as computers, digital watches, or mobile phones.

A powerful magnet within the unit could corrupt data or cause a malfunction.



The magnet on the back of the pen stand exerts a powerful magnetic attraction on the installation surface. When installing, be careful not to trap your fingers or any other part of your body between the magnets and the installation surface.

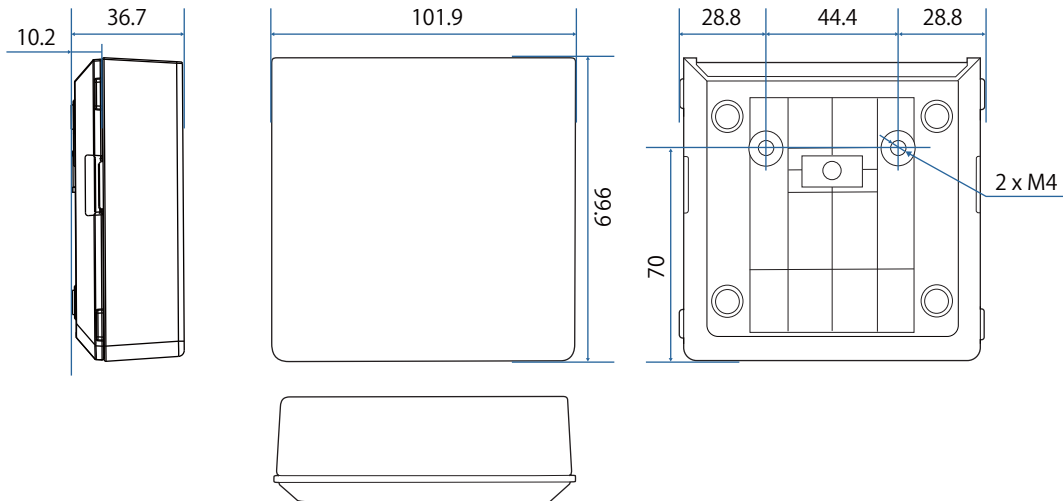


# Pen Stand Specifications

Item	Specification
Pen stand mass	Approx. 93 g

## External Dimensions

[Unit: mm]

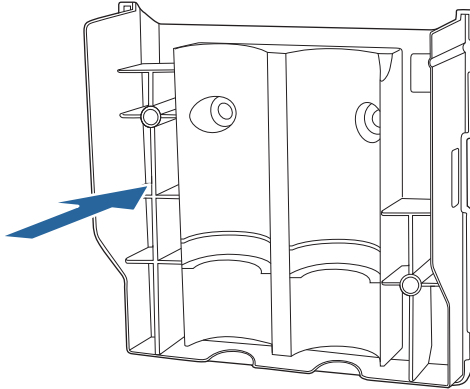



## Installing the Pen Stand

Secure the pen stand with magnets or commercially available M4 screws.

### When Securing with Magnets

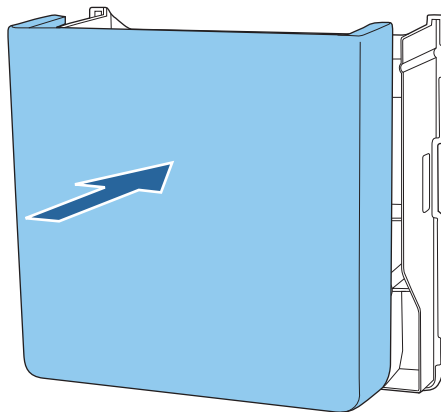
**1** Check the installation position and secure with magnets



 **Caution**

Powerful magnets are used which can cause injury if you trap your fingers. Be careful not to trap your fingers or any other part of your body between the magnets and the installation surface.

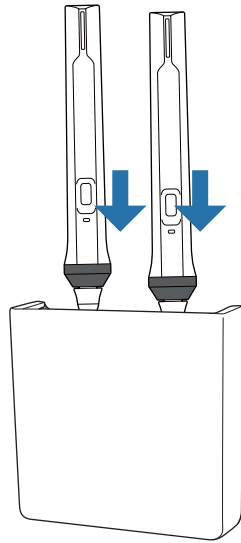
**2** Attach the cover





3

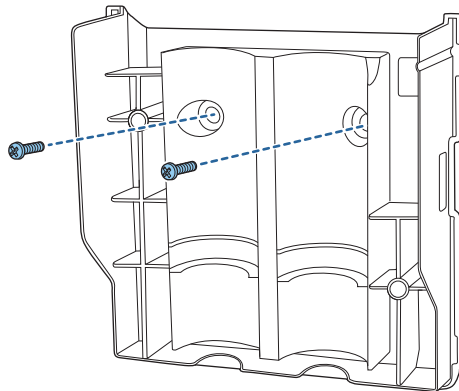
Store the interactive pens



### When Securing with Screws

1

Check the installation position and secure with commercially available M4 screws (20 mm x2)

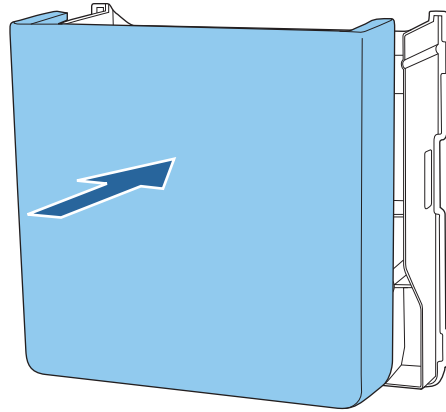


#### Warning

- When screwing, make sure they are not tilted at an angle to the installation surface.
- Make sure that the pen stand is secured properly.

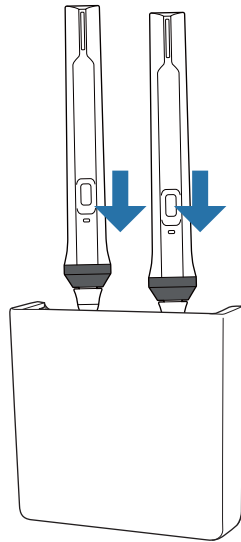
2

Attach the cover



3

Store the interactive pens



# Calibrating the Interactive Pen

Adjust the projector's image before calibrating the pen.

There are two methods available for calibrating the pen; **Auto Calibration** and **Manual Calibration**.

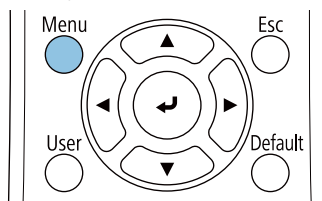
When calibrating the pen for the first time, perform **Manual Calibration** for optimum calibration.

When calibrating the pen for the second time and after, perform **Auto Calibration**. ( p.84)

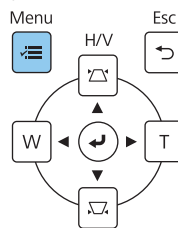
## Manual Calibration

1 Turn on the projector, and then press the [Menu] button

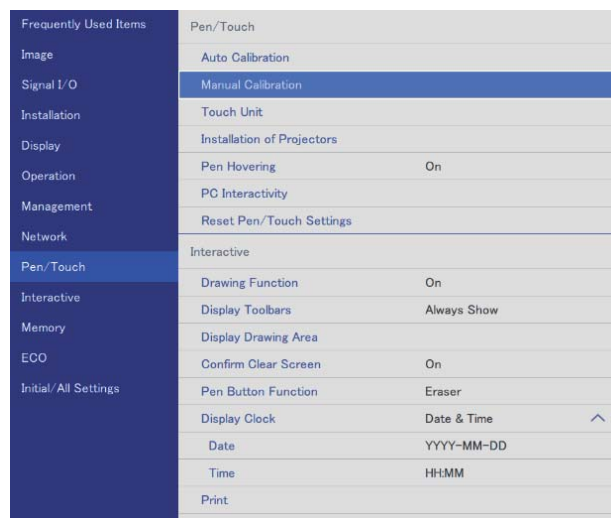
Using the Remote Control



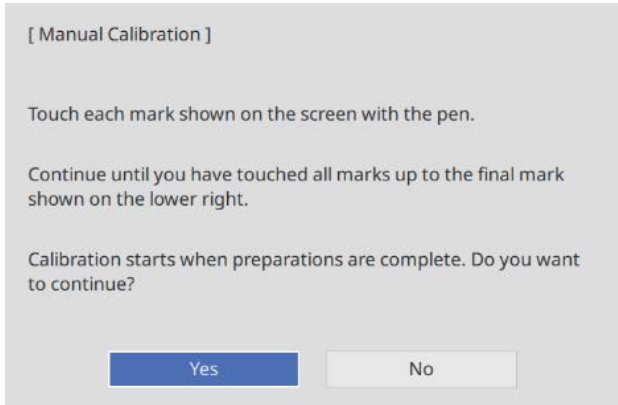
Using the Control Panel



2 Select **Manual Calibration** from the **Pen/Touch** menu.

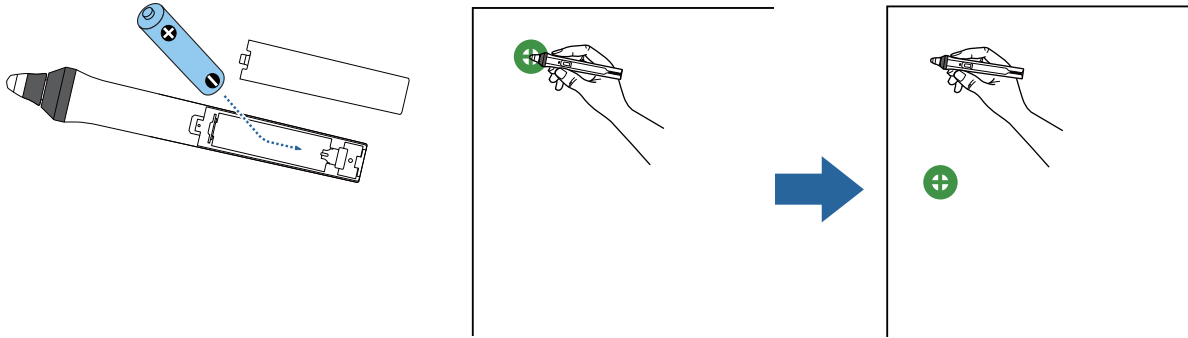



**3** Check the screen content, and then select **Yes**

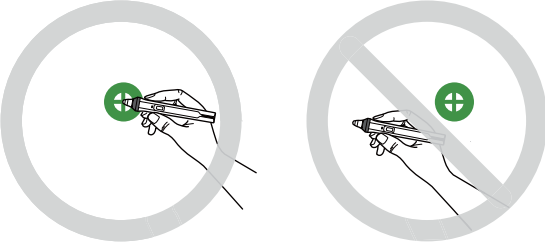


You see a green dot at the top left of the projection screen.

**4** Touch the center of the dot with the pen tip of the interactive pen  
The dot disappears and moves to the next position.



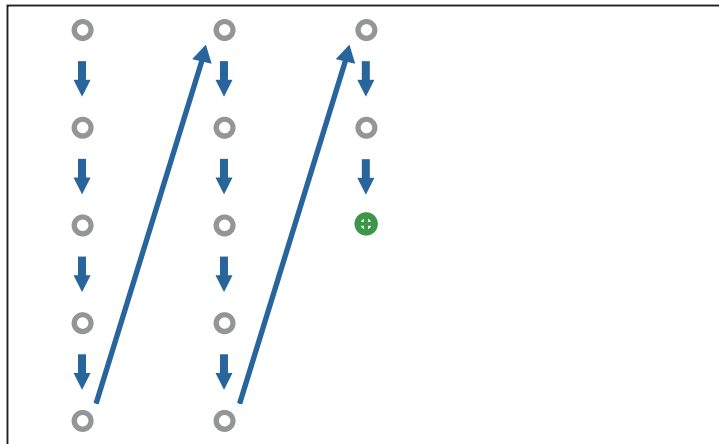
 Make sure you touch the center of the dot. Otherwise, it may not be positioned correctly.

A diagram illustrating the importance of touching the center of the dot. On the left, a hand holds the pen tip touching the center of a green dot with a crosshair, which is enclosed in a grey circle. On the right, a hand holds the pen tip touching the edge of a green dot with a crosshair, which is also enclosed in a grey circle but has a diagonal slash through it, indicating this is an incorrect action.

5

Repeat step 4 until all of the dots disappear

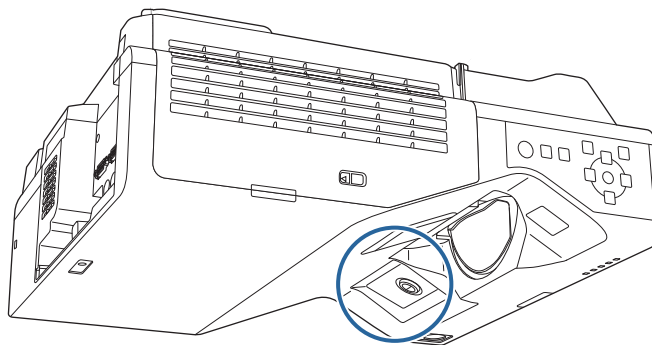
The dot appears at the top left first and then moves towards the bottom right.



When all of the dots disappear, Manual Calibration is complete.



- Check that there are no obstacles between the interactive pen and the Interactive pen receiver (shown below).



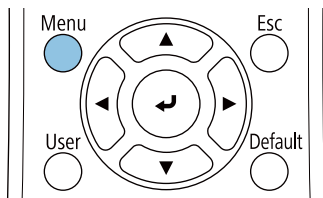
- If you touch the wrong position, press the [Esc] button on the remote control to return to the previous dot.
- To cancel calibration, hold down the [Esc] button for two seconds.

## Auto Calibration

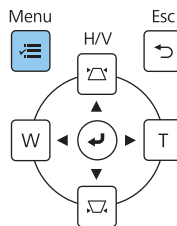
1

Turn on the projector, and then press the [Menu] button

Using the Remote Control

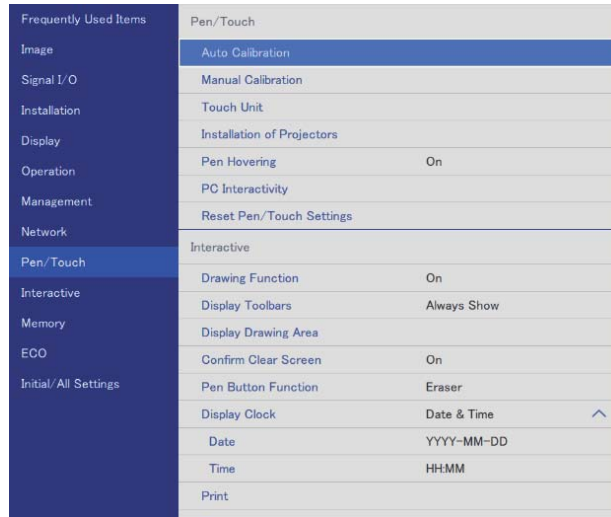


Using the Control Panel



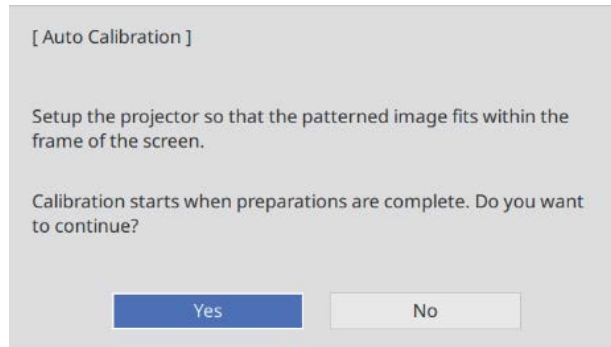
2

## Select **Auto Calibration** from the **Pen/Touch** menu



3

## Check that the pattern image fits into the projected image, and then select **Yes**











Pen calibration starts automatically.



If Auto Calibration fails, follow the on-screen instructions to check your surroundings. Or, perform **Manual Calibration**.

## Notes on Handling the Touch Unit

 Warning	
<p>Do not disassemble or remodel the Touch Unit.</p> <p>The Touch Unit contains a high power laser product that could cause a fire, electric shock, or an accident.</p>	
<p>Only connect the Touch Unit to the EB-770Fi/EB-760Wi. Do not connect it to any other projectors or devices.</p> <p>The device could malfunction, or laser light that is higher than normal intensity could be emitted.</p>	
<p>Do not go near the Touch Unit if you are using medical equipment such as a pace maker. Furthermore, when using the Touch Unit, make sure there is no one using medical equipment such as a pace maker, in the surrounding area.</p> <p>A powerful magnet within the unit generates electromagnetic interference which may cause medical equipment to malfunction.</p>	
 Caution	
<p>Do not go near the Touch Unit with magnetic storage media such as magnetic cards, or precision electronic devices such as computers, digital watches, or mobile phones.</p> <p>A powerful magnet within the unit could corrupt data or cause a malfunction.</p>	
<p>The magnet on the back of the Touch Unit exerts a powerful magnetic attraction on the installation surface. When installing, be careful not to trap your fingers or any other part of your body between the magnets and the installation surface.</p>	
<p>Do not disassemble the Touch Unit when disposing of it.</p> <p>Dispose according to your local or national laws and regulations.</p>	

Complies with FDA performance standards for laser products except for deviations pursuant to Laser Notice No. 50, dated June 24, 2007

**Supplier's DECLARATION of CONFORMITY**

According to 47CFR, Part 2 and 15

Other Class B digital devices & peripherals

We: Epson America, Inc.  
Located at: 3840 Kilroy Airport Way  
Long Beach, CA 90806  
Tel: 562-981-3840

Declare under sole responsibility that the product identified herein, complies with 47CFR Part 2 and 15 of the FCC rules as a Class B digital device. Each product marketed, is identical to the representative unit tested and found to be compliant with the standards. Records maintained continue to reflect the equipment being produced can be expected to be within the variation accepted, due to quantity production and testing on a statistical basis as required by 47CFR 2.906. Operation is subject to the following two conditions : (1) this device may not cause harmful interference, and (2) this device must accept any interference received, including interference that may cause undesired operation.

Trade Name: EPSON  
Type of Product: FINGER TOUCH UNIT  
Model: EAI destination: ELPFT01  
Other destination: ---

**FCC Compliance Statement  
For United States Users**

This device complies with part 15 of the FCC Rules. Operation is subject to the following two conditions: (1) This device may not cause harmful interference, and (2) this device must accept any interference received, including interference that may cause undesired operation.

This equipment has been tested and found to comply with the limits for a Class B digital device, pursuant to Part 15 of the FCC Rules. These limits are designed to provide reasonable protection against harmful interference in a residential installation. This equipment generates, uses, and can radiate radio frequency energy and, if not installed and used in accordance with the instructions, may cause harmful interference to radio communications. However, there is no guarantee that interference will not occur in a particular installation. If this equipment does cause interference to radio and television reception, which can be determined by turning the equipment off and on, the user is encouraged to try to correct the interference by one or more of the following measures.

- Reorient or relocate the receiving antenna.
- Increase the separation between the equipment and receiver.
- Connect the equipment into an outlet on a circuit different from that to which the receiver is connected.
- Consult the dealer or an experienced radio/TV technician for help.

**WARNING**

The connection of a non-shielded equipment interface cable to this equipment will invalidate the FCC Certification or Declaration of this device and may cause interference levels which exceed the limits established by the FCC for this equipment. It is the responsibility of the user to obtain and use a shielded equipment interface cable with this device. If this equipment has more than one interface connector, do not leave cables connected to unused interfaces. Changes or modifications not expressly approved by the manufacturer could void the user's authority to operate the equipment.

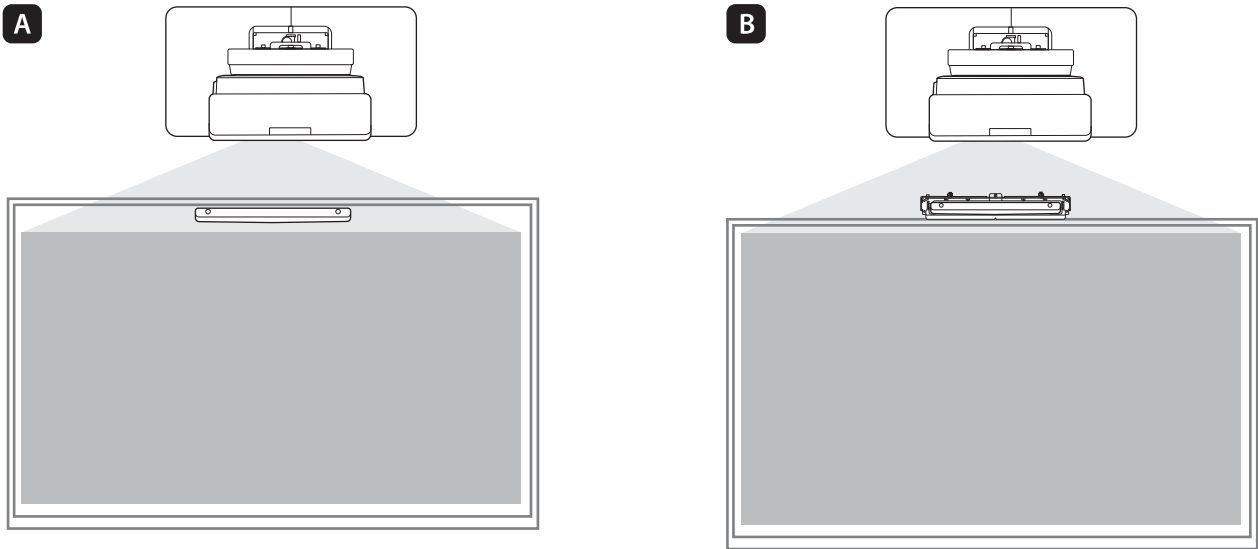
For Canadian Users

CAN ICES-3 (B) / NMB-3 (B)




## Touch Unit Installation Location

The procedure differs depending on where the Touch Unit is installed.



**A** : When installing the Touch Unit on the same surface as the projection surface, secure it using magnets (built-in to the touch unit) or screws.

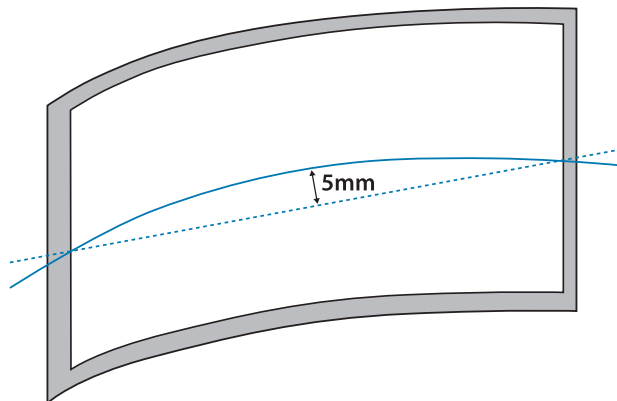
**B** : When installing the Touch Unit on a different surface from the projection surface, secure it using the Touch Unit Bracket.

 Caution

When using the Touch Unit, images should be projected onto the front of the screen. You cannot use finger touch operations when images are projected onto the rear of the screen.



Before installing the Touch Unit, make sure that the installation surface is not warped or distorted, and that any unevenness on the screen surface is less than 5 mm.



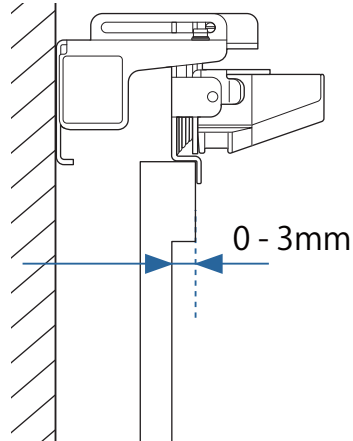
## Notes on the Touch Unit Bracket

 Caution

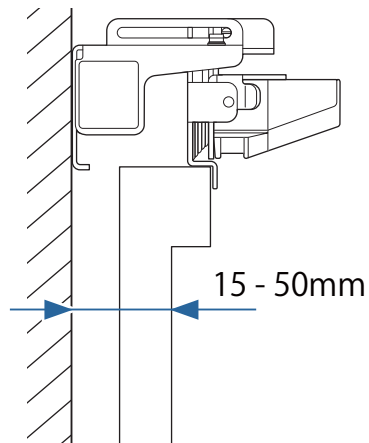
If there is a frame around the screen, make sure that the thickness of the top of the frame is less than 3 mm.



If the thickness of the top of the screen exceeds 3 mm, the Touch Unit will not operate correctly.



Make sure that the distance from the wall to the surface of the screen is less than 50 mm. You cannot install the Touch Unit Bracket if the distance is more than 50 mm.



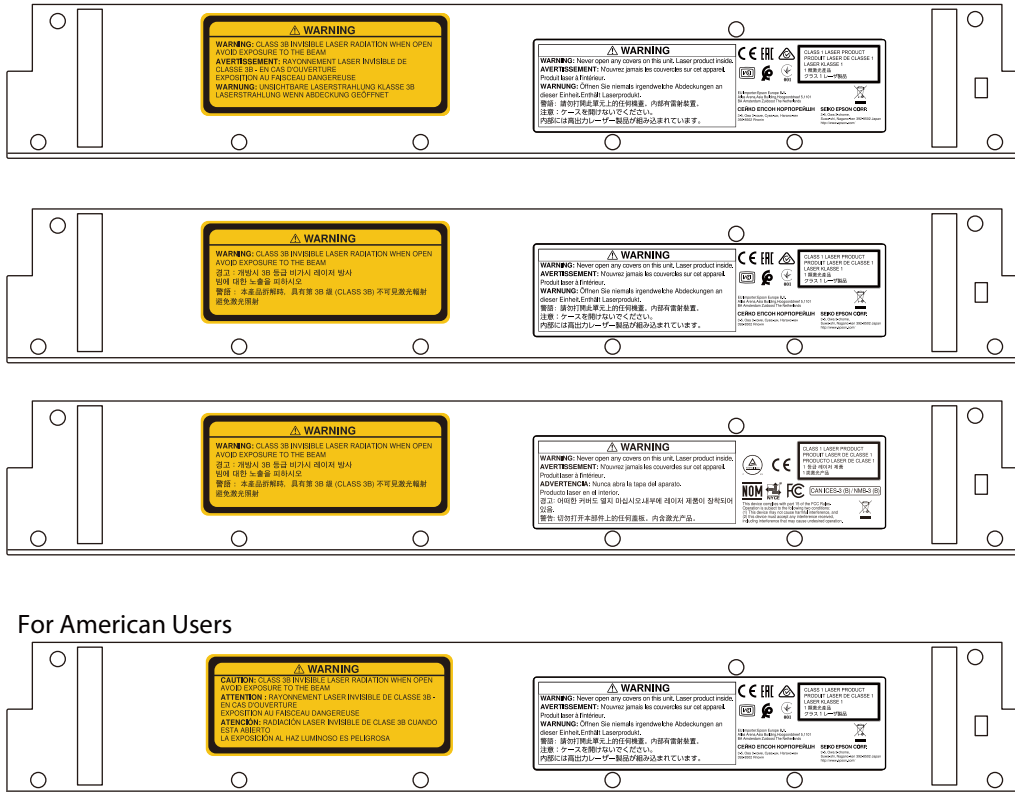
# Notes on the Laser

## Attached Labels

The Touch Unit is a Class 1 laser product that conforms to the IEC/EN60825-1:2014 standard.

The Touch Unit is a Class 1 laser product that conforms to the IEC/EN60825-1:2007 standard. (For North/South America.)

There are warning labels affixed to the Touch Unit to indicate that it is a Class 1 laser product.

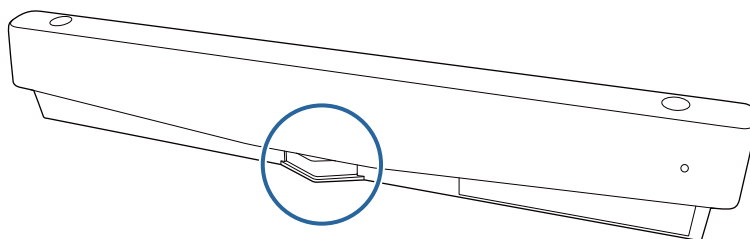


The labels contain the following information.

- Class 1 laser product
- Warning: Do not open the case. The device contains a high power laser product.
- Warning:
  - Caution: If this section is opened, class 3B invisible laser radiation will be emitted.
  - Avoid exposure to the radiation beams.

## Laser Diffusion Port

The laser beam is diffused from the laser diffusion ports at the back of the Touch Unit.



- Light source output: Max. 285 W

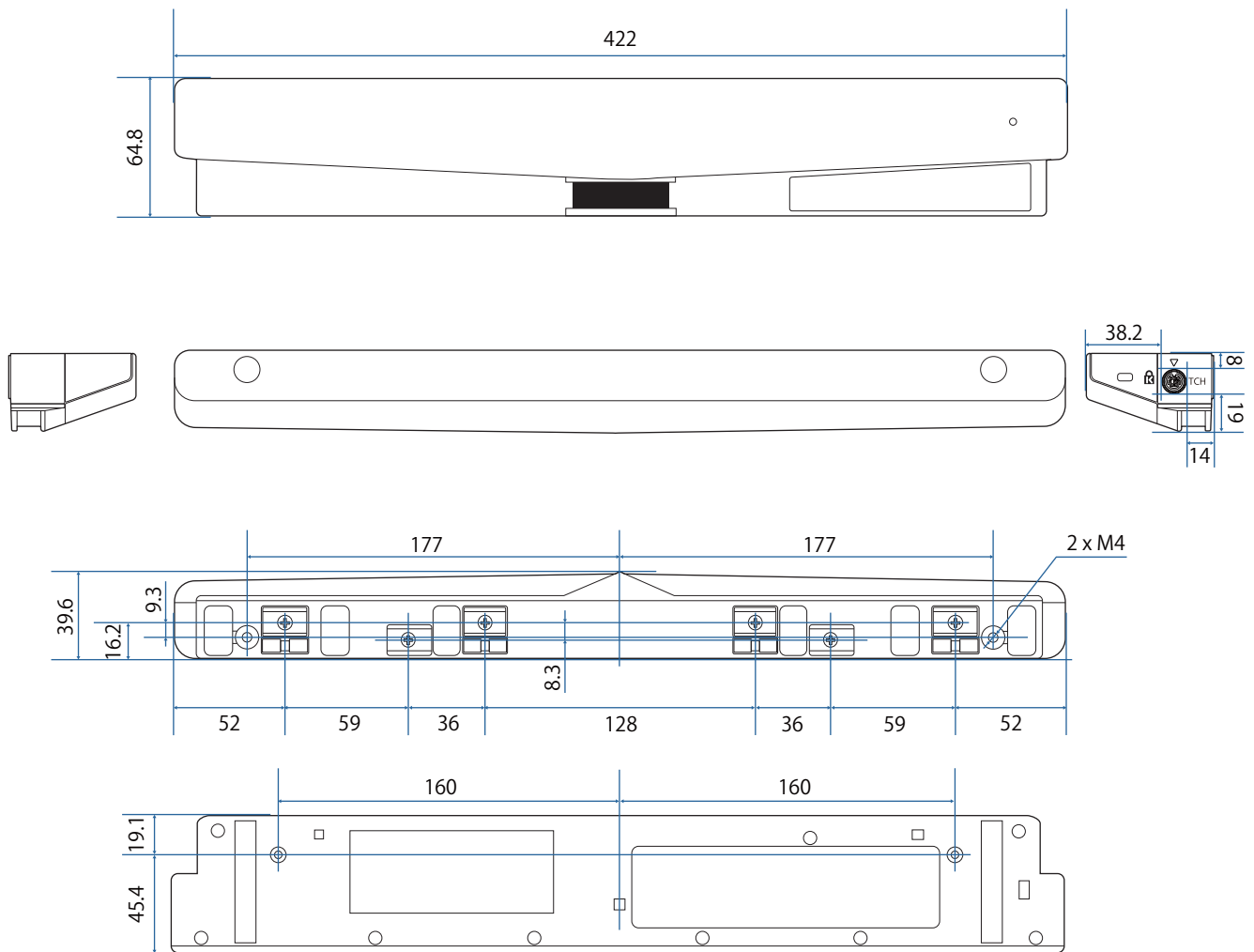
- Wavelength: 932 to 952 nm

# Touch Unit Specifications

Item	Specification
Touch unit mass	Approx. 0.6 kg
Operating temperature	0 to 40°C
Power (supplied from the projector)	5 VDC 0.65 A

## External Dimensions

[Unit: mm]

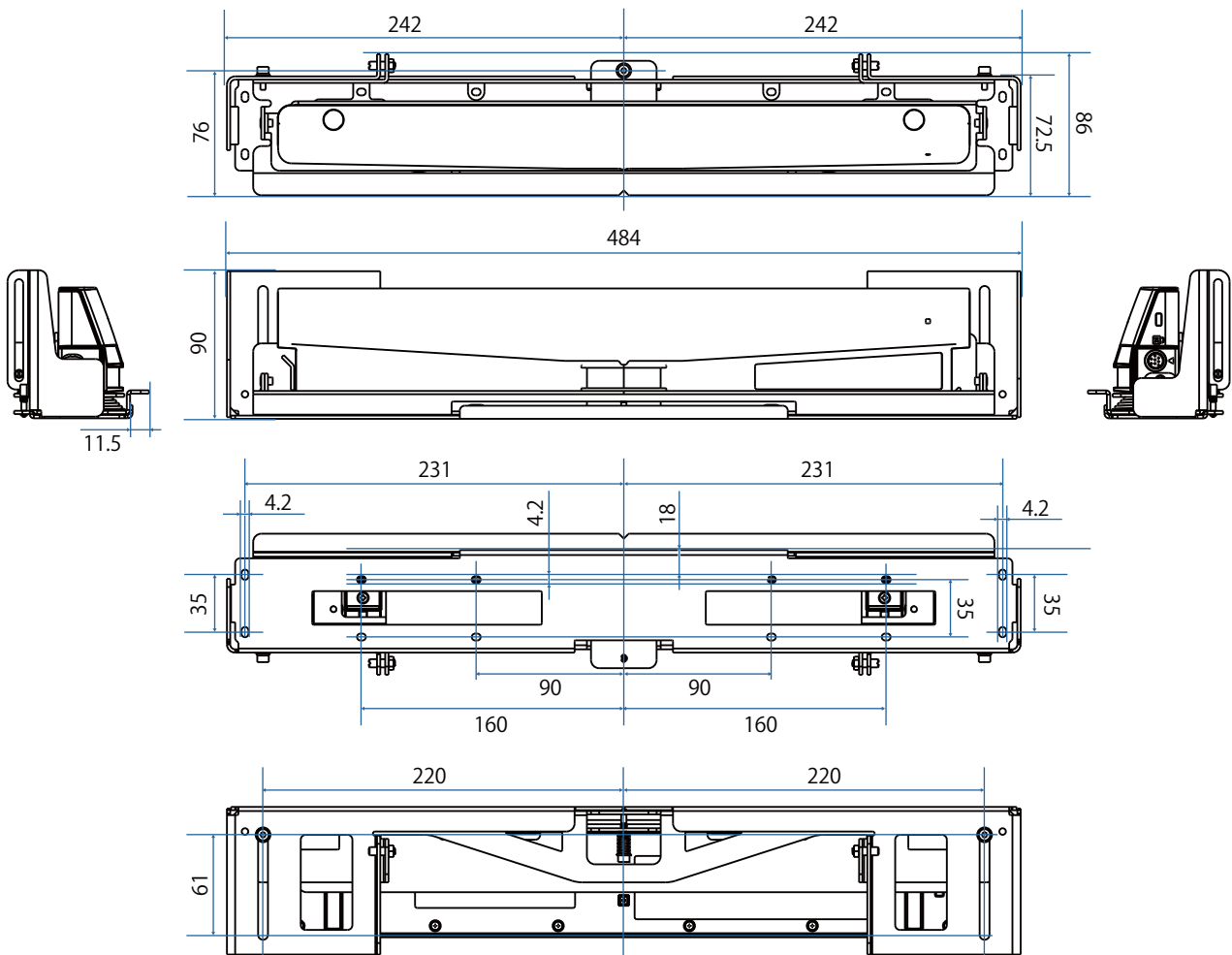


# Touch Unit Bracket Specifications

Item	Specification
Touch unit bracket mass	Approx. 1.8 kg
Load capacity	Approx. 8.8 kg

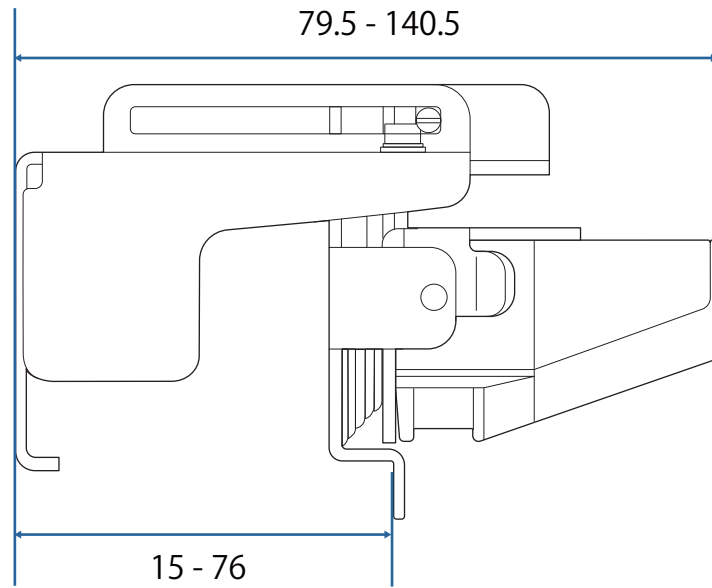
## External Dimensions

[Unit: mm]



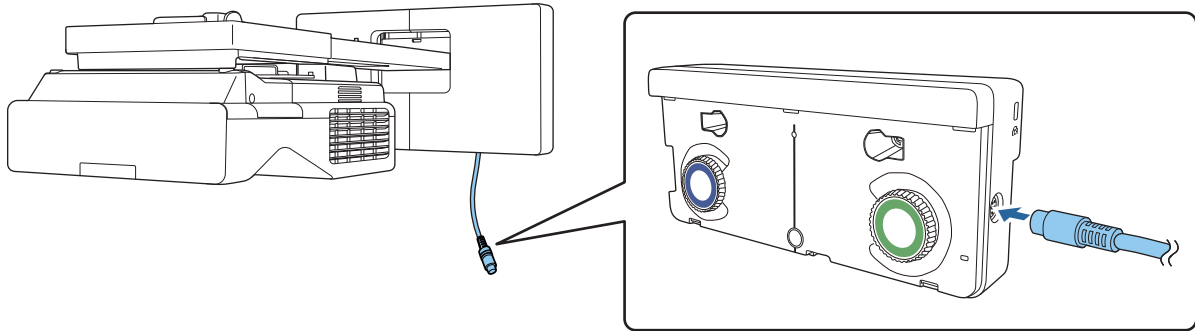
Adjustment Range

[Unit: mm]



## When Using an Older Model of Touch Unit

Touch Units that have been used with previous projector models can be re-connected and used again.



After connecting, follow the steps below to setup the Touch Unit.

- 1** Turn on the Touch Unit (☞ [p.105](#))
- 2** Adjust the Angle of the Laser (☞ [p.106](#))
- 3** Perform Touch Calibration (☞ [p.120](#))



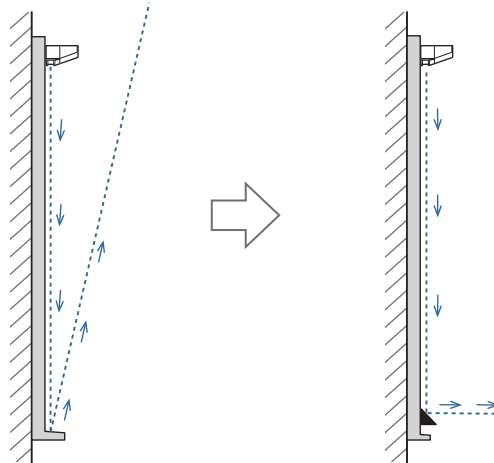
When infrared deflectors are attached to the projection surface, use it without removing them.



# Installing the Touch Unit

## Installing the Infrared Deflectors

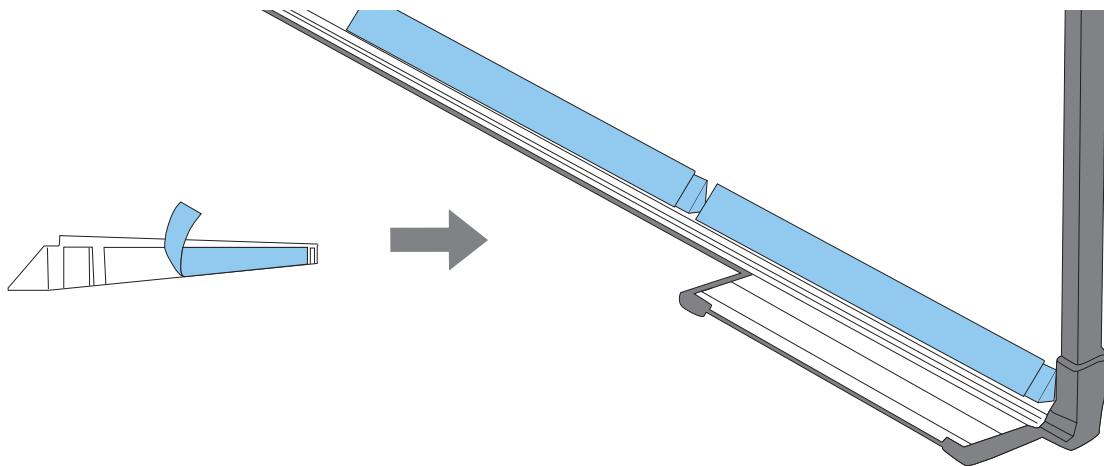
Stick the infrared deflectors to any obstacles, such as a frame or tray, at the bottom of the projection surface. If there are any obstacles, the laser is reflected as shown below, and the location of your finger will not be detected correctly.



- If you have already attached infrared deflectors to the projection surface, use it without removing them.
- When installing multiple Touch Units on the same wall, also install partitions such as infrared deflectors to prevent laser interference. For details, see "When Installing Multiple Touch Units Nearby" [p.16](#).

1

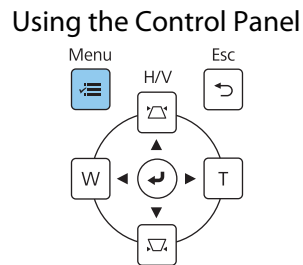
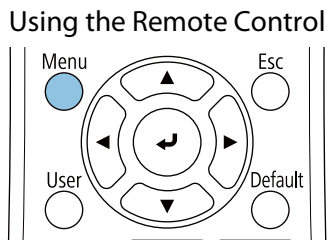
Stick the infrared deflectors along the locations of the obstacles



## Installing the Touch Unit

### ■ When installing on the projection surface without using the Touch Unit Bracket

1 Turn on the projector, and then press the [Menu] button



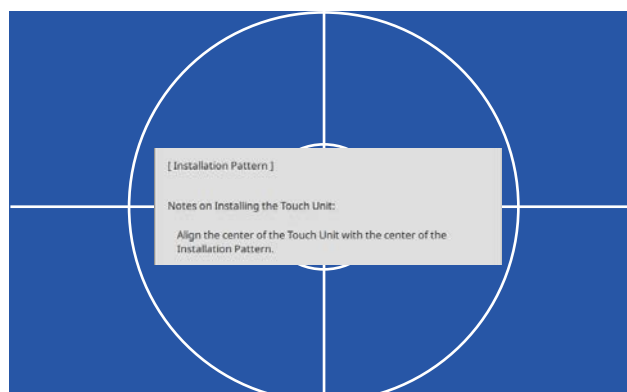
2 Select **Touch Unit** from the **Installation** menu

Frequently Used Items	Installation
Image	Fixed Installation Off
Signal I/O	Test Pattern
Installation	Setting Plate Installation Guide
Display	Vertical Installation No
Operation	Projection Front/Upside Down
Management	Auto Screen Adjustment
Network	Geometry Correction Point Correction
Pen/Touch	Digital Zoom
Interactive	Connect ELPCB02 Off
Memory	<b>Touch Unit</b>
ECO	Remote Receiver Off
Initial/All Settings	Projector ID Off
	Screen Type 16:9
	High Altitude Mode Off
	Reset Installation Settings
	Display
	Pattern Display

3 Select **Installation Pattern**

[ Touch Unit ]	Return
Installation Pattern	
Power	Off
Calibration Range	Narrow

You see the installation pattern on the projected image.

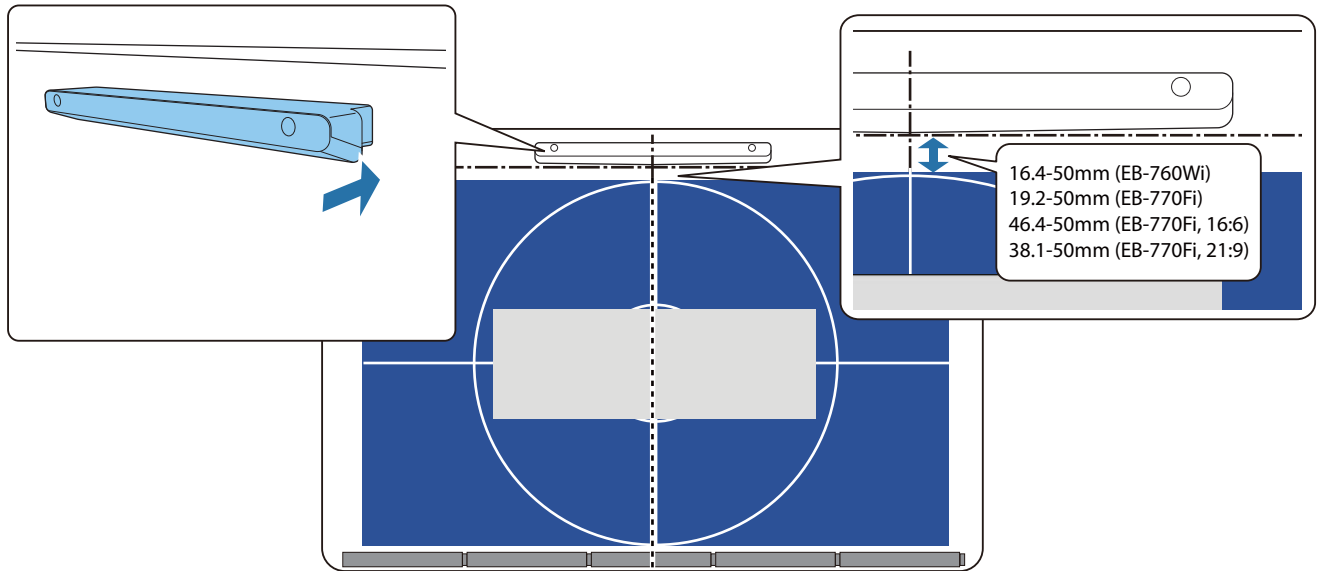


**4** When installing on a magnetic surface, check the installation position and attach the touch unit with magnets

When installing on a non-magnetic surface, go to the next step.

**⚠ Caution**

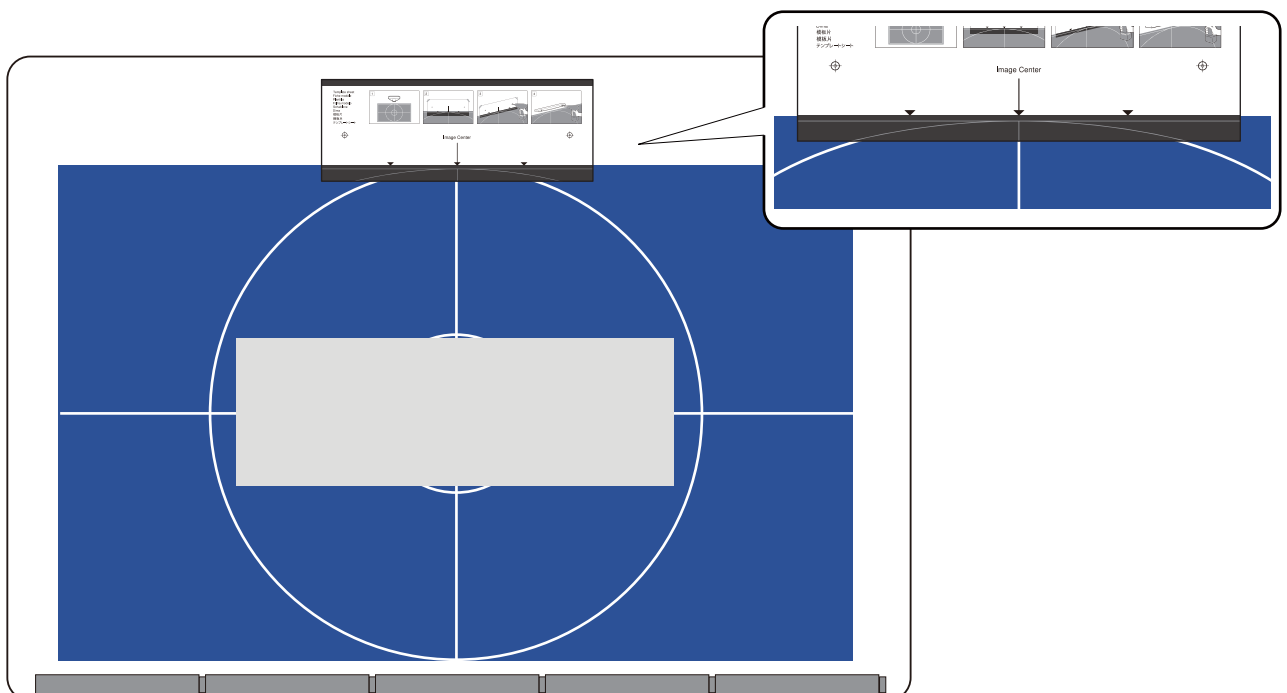
Powerful magnets are used which can cause injury if you trap your fingers. Be careful not to trap your fingers or any other part of your body between the magnets and the installation surface.



After you attach the Touch Unit, go to "Turning on the Touch Unit" [p.105](#).

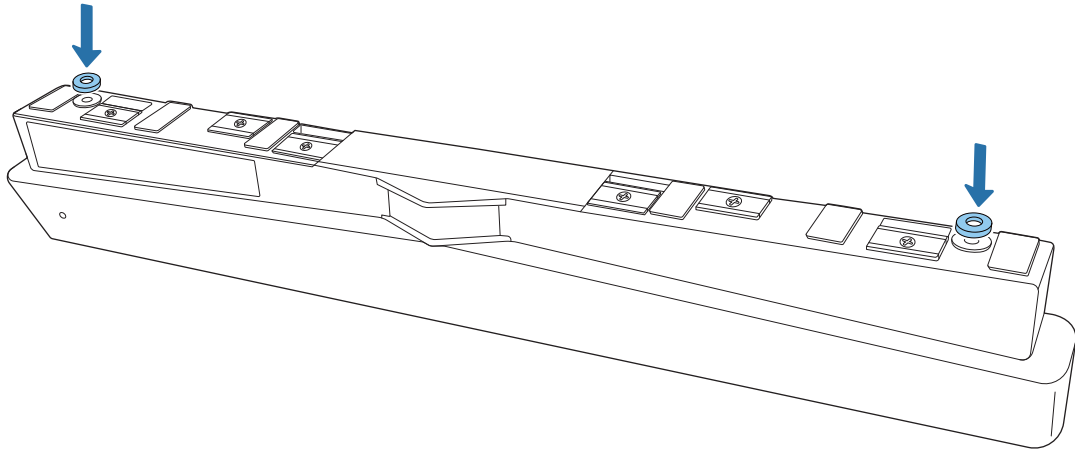
**5** When installing on a non-magnetic surface, attach the template sheet to the Touch Unit installation position

As shown below, attach the bottom of the template sheet onto the installation pattern.

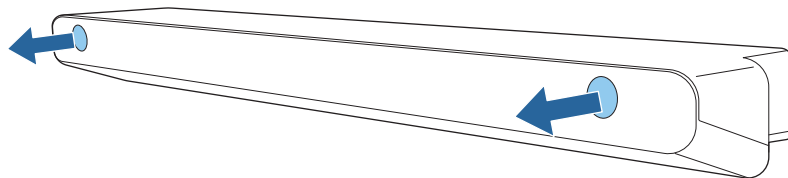


6 Drill holes in the installation surface, and then remove the template sheet

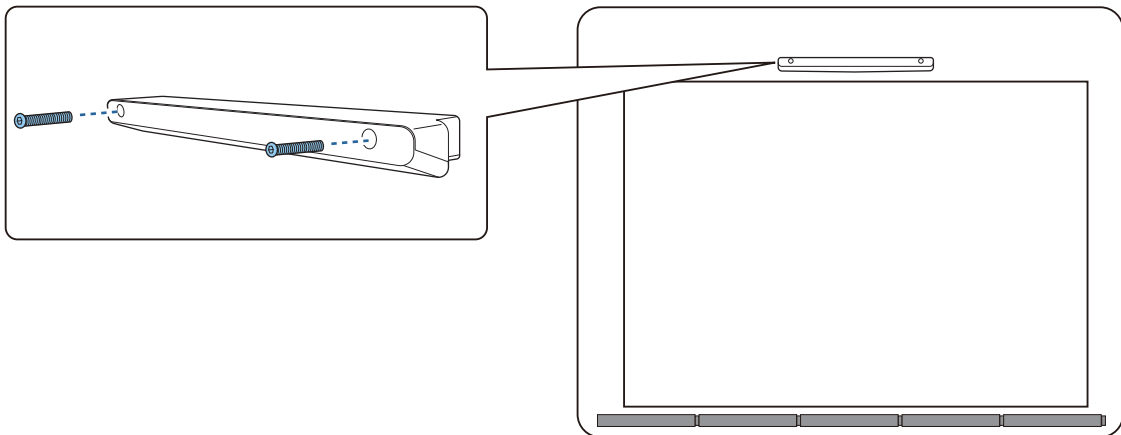
7 Attach the spacers supplied (x2) to the screw holes on the back of the Touch Unit



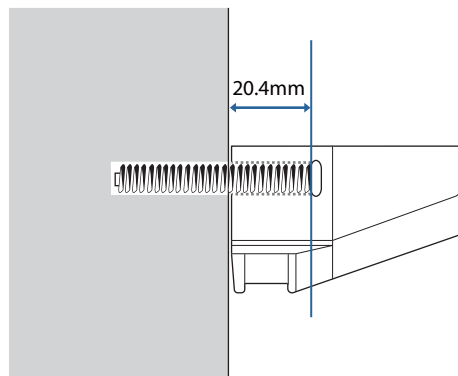
8 Remove the rubber caps (x2) from the front of the Touch Unit



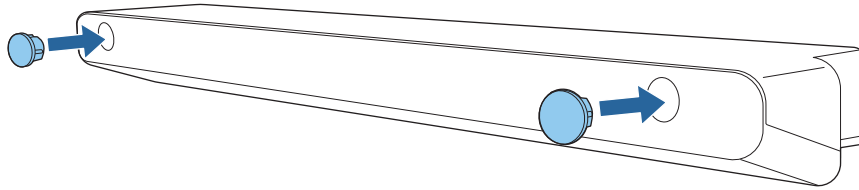
9 Secure the Touch Unit with commercially available M4 screws (x2)



The following shows the depth of the screw holes in the Touch Unit.



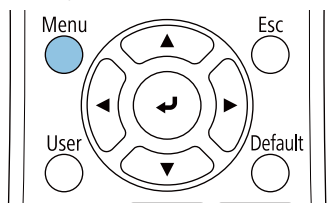
- 10 Attach the rubber caps that you removed in step 8 to the screw holes on the front of the Touch Unit



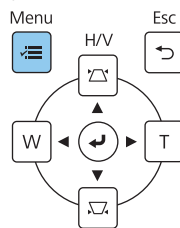
■ When using the Touch Unit Bracket to install outside of the projection surface

- 1 Turn on the projector, and then press the [Menu] button

Using the Remote Control



Using the Control Panel

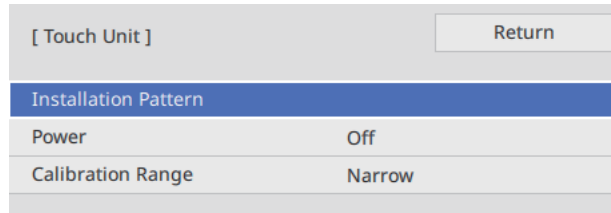


- 2 Select **Touch Unit** from the **Installation** menu

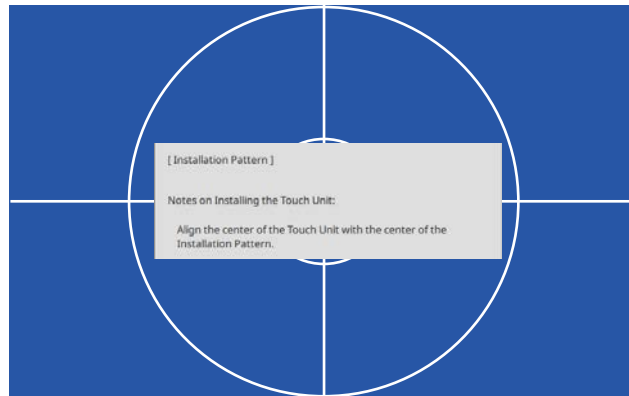
Frequently Used Items	Installation	
Image	Fixed Installation	Off
Signal I/O	Test Pattern	
<b>Installation</b>	Setting Plate Installation Guide	
Display	Vertical Installation	No
Operation	Projection	Front/Upside Down
Management	Auto Screen Adjustment	
Network	Geometry Correction	Point Correction
Pen/Touch	Digital Zoom	▼
Interactive	Connect ELPCB02	Off
Memory	<b>Touch Unit</b>	
ECO	Remote Receiver	Off
Initial/All Settings	Projector ID	Off
	Screen Type	16:9 ▼
	High Altitude Mode	Off
	Reset Installation Settings	
	Display	
	Pattern Display	

3

### Select **Installation Pattern**



You see the installation pattern on the projected image.

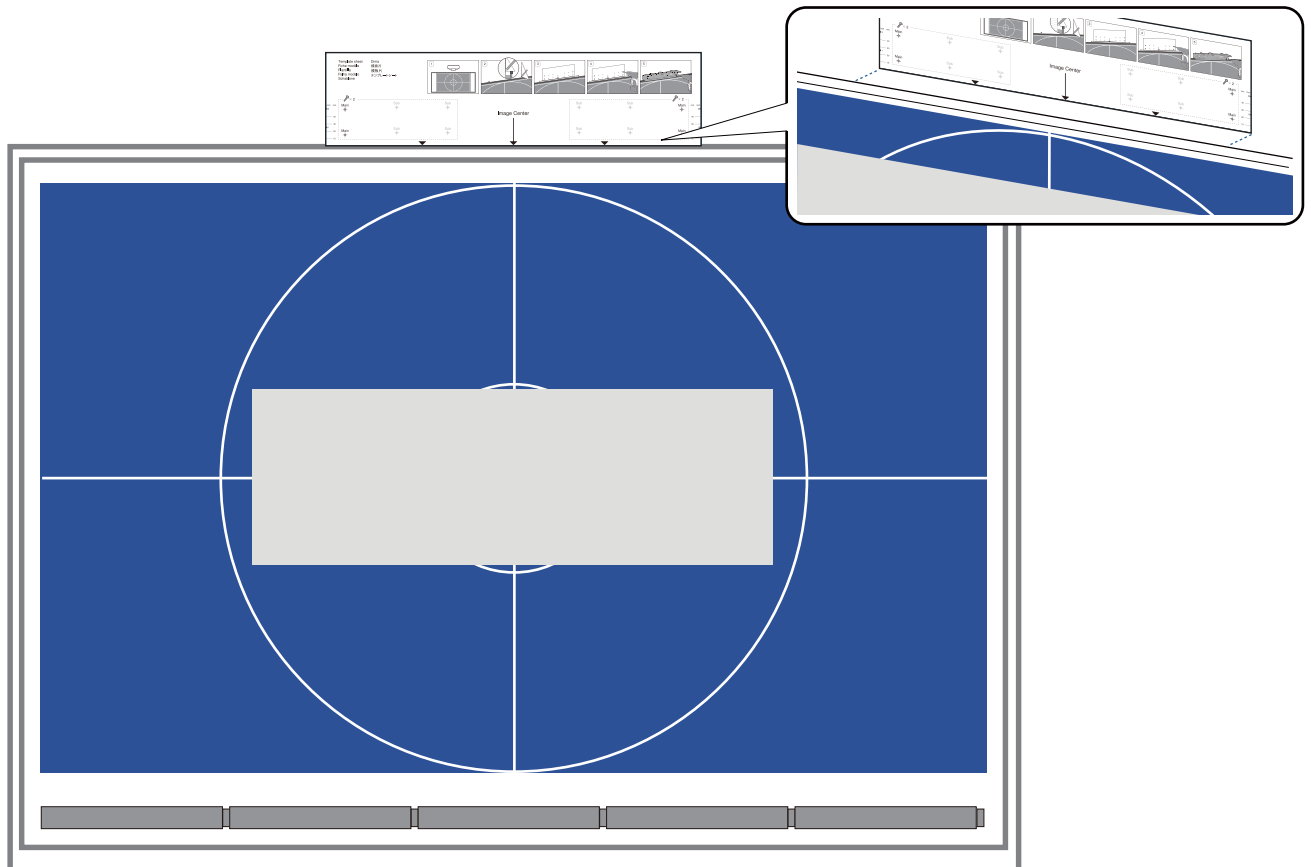


4

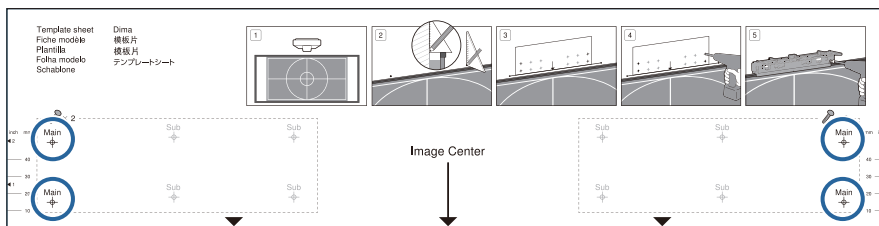
### Attach the template sheet for the Touch Unit Bracket


Align the top edge of the projection surface with the bottom edge of the template sheet.

If there is a gap between the installation surface for the bracket and the projection surface, we recommend drawing marks in advance at the attachment position.

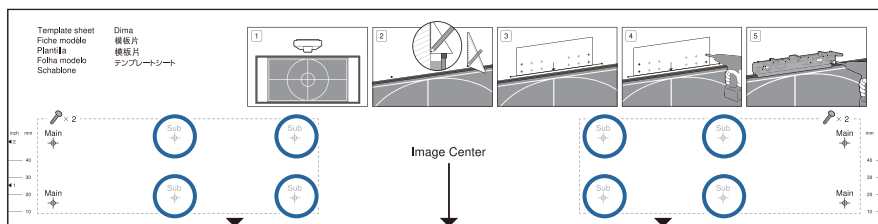


**5** Drill holes in the installation surface, and then remove the template sheet  
 Make holes at the four points labeled as **Main** on the template sheet.

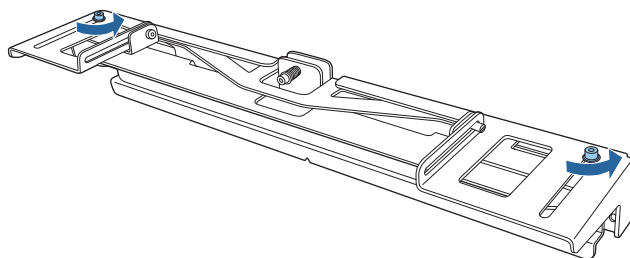


 Depending on the condition of the installation surface, you may need to secure the bracket at the points labeled as Sub.

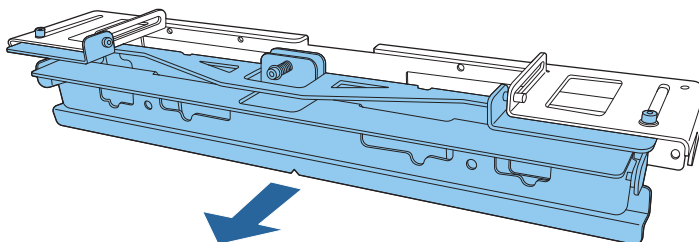
Make holes at four points (two on the left and two on the right) for optimum balance.



**6** Loosen the screws (x2) at the top of the Touch Unit Bracket

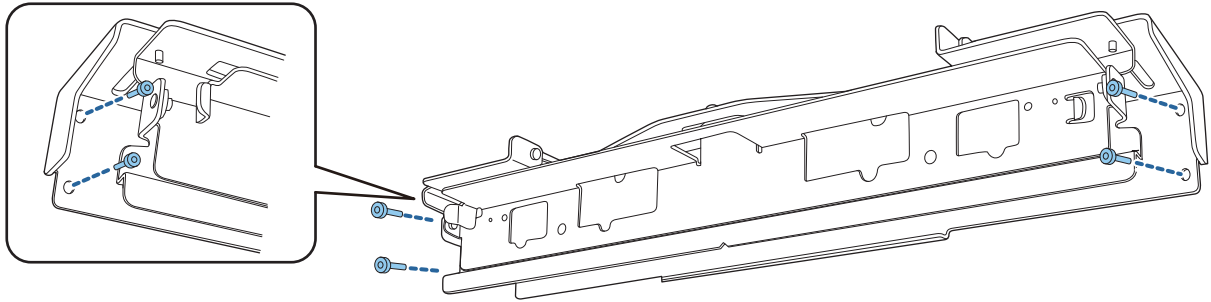


**7** Slide the parts at the front of the bracket forward until they are fully extended

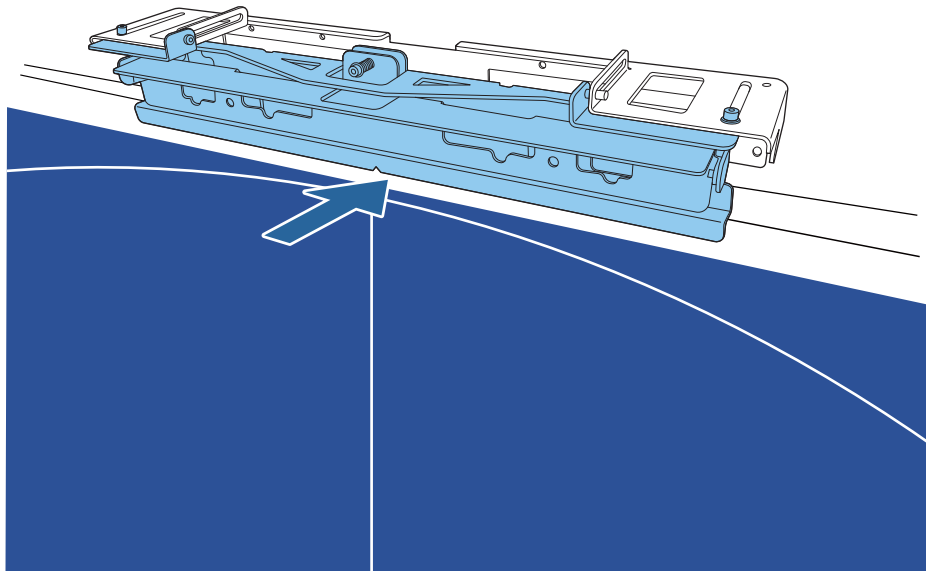


To prevent the sliding section from slipping during installation, lightly tighten the top screws (x2) that you loosened in step 6.

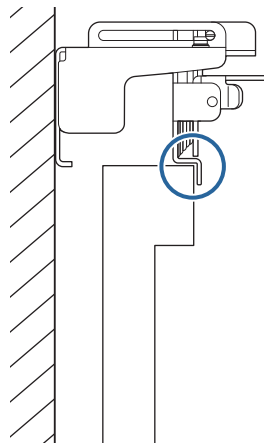
- 8** Secure the bracket to the wall with commercially available 3.8 mm diameter wood screws with a length of 45 mm (x4) or M4 anchor bolts (x4)



- 9** Slide the bracket so that it fits with the projection screen



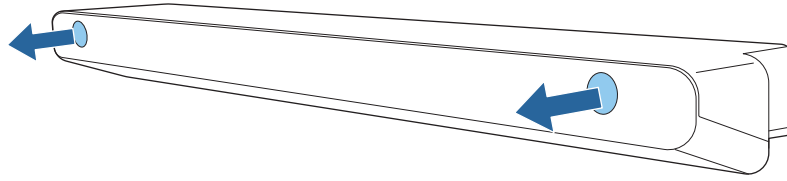
Slide it in until the lower edge of the bracket touches the projection screen.





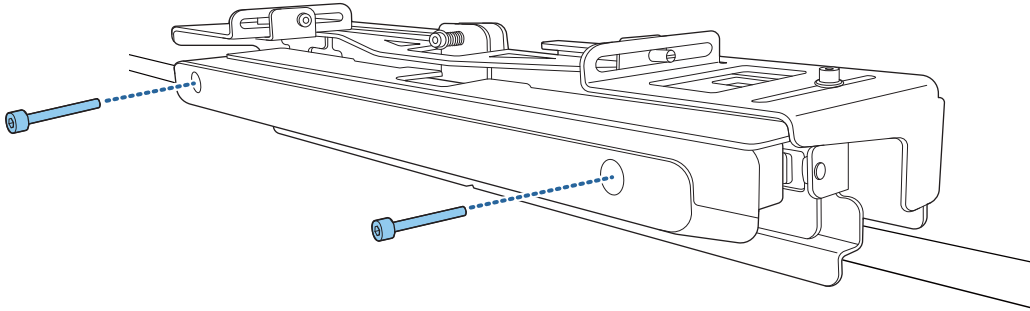
10

Remove the rubber caps (x2) from the front of the Touch Unit



11

Secure the Touch Unit to the bracket with the M4 x 25 mm bolts (x2) supplied

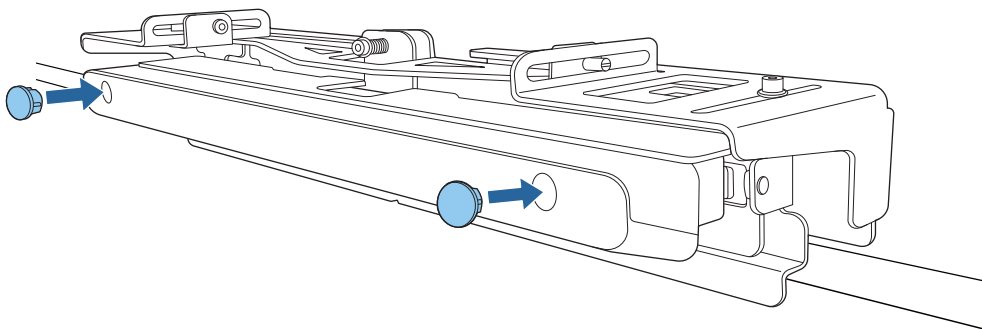


### Caution

There is a powerful magnet on the rear of the Touch Unit. Do not trap your hand between the Touch Unit and the Touch Unit Bracket.

12

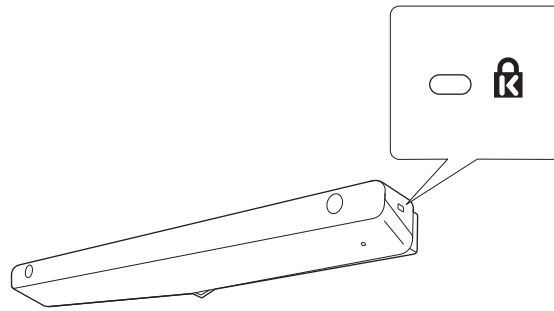
Attach the rubber caps that you removed in step 10 to the screw holes on the front of the Touch Unit



## Attaching a Security Cable

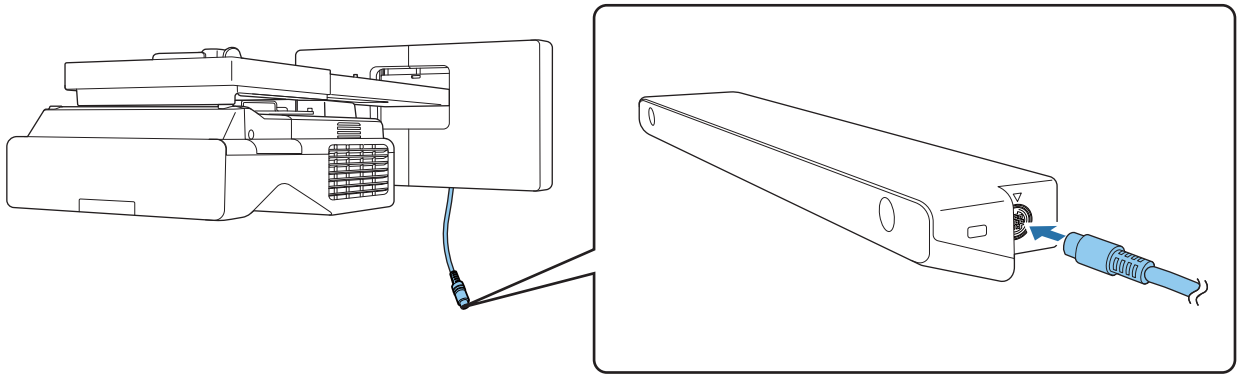
The security slot on the Touch Unit is compatible with the Microsaver Security System manufactured by Kensington. See the following for more details on the Microsaver Security System.


<http://www.kensington.com/>



## Turning on the Touch Unit

- 1 Connect the Touch Unit connection cable that is connected to the projector to the TCH port on the Touch Unit



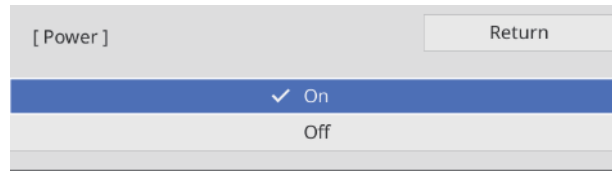
 Make sure the Touch Unit connection cable is firmly inserted all the way in. If the cable is not inserted all the way in, the menu for older model Touch Units may be displayed when adjusting the angle of the laser.

- 2 Select **Touch Unit** from the **Installation** menu

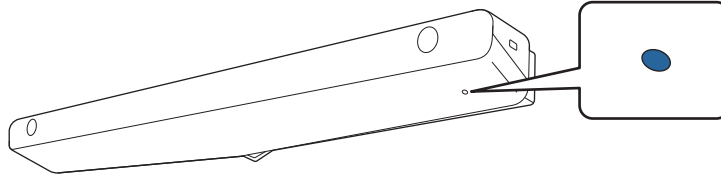
Frequently Used Items	Installation	
Image	Fixed Installation	Off
Signal I/O	Test Pattern	
Installation	Setting Plate Installation Guide	
Display	Vertical Installation	No
Operation	Projection	Front/UpSide Down
Management	Auto Screen Adjustment	
Network	Geometry Correction	Point Correction
Pen/Touch	Digital Zoom	▼
Interactive	Connect ELPCB02	Off
Memory	Touch Unit	
ECO	Remote Receiver	Off
Initial/All Settings	Projector ID	Off
	Screen Type	16:9 ▼
	High Altitude Mode	Off
	Reset Installation Settings	
	Display	
	Pattern Display	

3

### Set **Power** to **On**



The Touch Unit turns on and the indicator is lit blue.

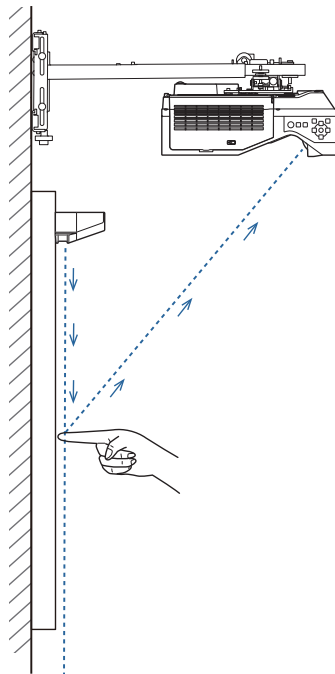


The Touch Unit automatically turns on the next time you turn on the projector if **Power** is set to **On**.

## Adjusting the Angle of the Laser (Touch Unit Auto Setup)

An infrared laser in the shape of a curtain is emitted from the Touch Unit. The infrared laser reflects off your finger when touched to the projection surface thereby detecting the finger position allowing the projector's infrared camera to recognize the position being reflected.

Adjust the angle of the laser light coming from the Touch Unit so that the projector can correctly detect the position of your finger.



If the laser is not emitted parallel to the screen, the projector will not detect touch operations or the position of your finger correctly.

## When the laser is not parallel to the screen

<ul style="list-style-type: none"> <li>• The position of your finger may not be detected even if you touch the projected image.</li> <li>• Even if you do not touch the projected image, touch operations may be incorrectly detected and unintended operations may be performed.</li> </ul>	<ul style="list-style-type: none"> <li>• The position of your finger detected by the projector and your actual finger position may not align, and an unintended operation may be performed.</li> <li>• The projector enters a state in which a touch is still being detected, and a click operation is not recognized.</li> </ul>



Before adjusting the angle of the laser, make sure that interactive pen calibration is complete.

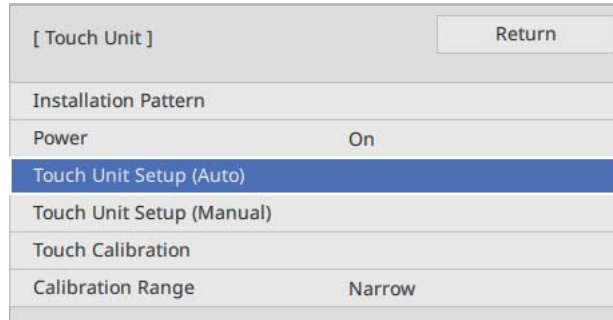
1

Select **Touch Unit** from the **Installation** menu

Frequently Used Items	Installation	
Image	Fixed Installation	Off
Signal I/O	Test Pattern	
Installation	Setting Plate Installation Guide	
Display	Vertical Installation	No
Operation	Projection	Front/Upside Down
Management	Auto Screen Adjustment	
Network	Geometry Correction	Point Correction
Pen/Touch	Digital Zoom	▼
Interactive	Connect ELPCB02	Off
Memory	Touch Unit	
ECO	Remote Receiver	Off
Initial/All Settings	Projector ID	Off
	Screen Type	16:9 ▼
	High Altitude Mode	Off
	Reset Installation Settings	
	Display	
	Pattern Display	

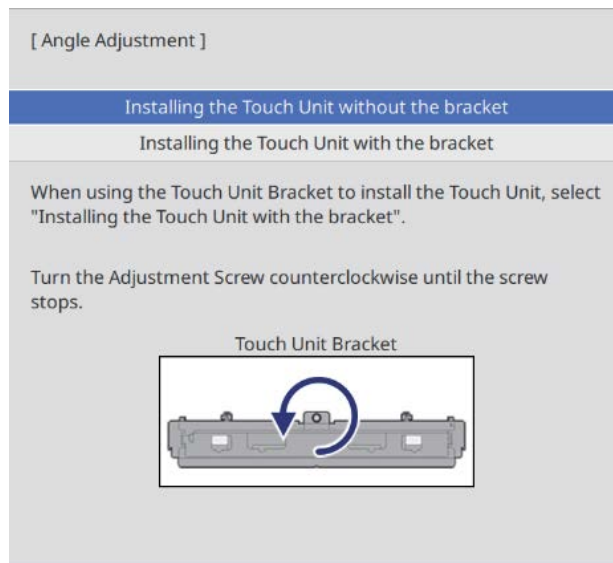
2

Select **Touch Unit Setup (Auto)**



3

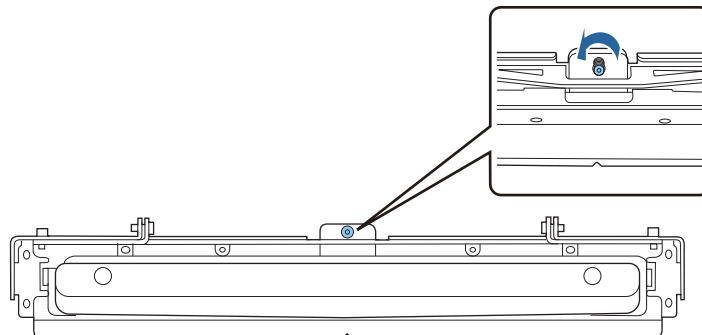
Select whether or not the Touch Unit Bracket is being used



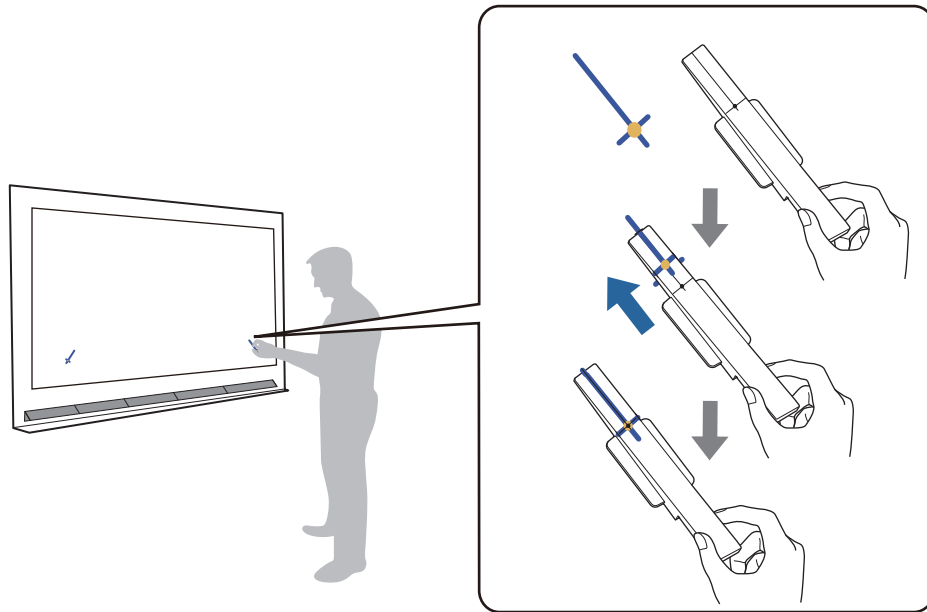
- The following steps differ if you are using an older model of Touch Unit. Follow the on-screen instructions. For details on performing operations, see the *Installation Guide* supplied with the old projector.
- If the screen for an older model Touch Unit is displayed even though the ELPFT01 is connected, check the connection for the Touch Unit connection cable.

4

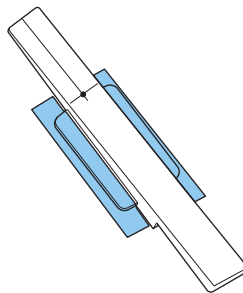
If you are using the Touch Unit Bracket, turn the adjustment screw on the top of the bracket counterclockwise until you cannot turn it any further



- 5 Place the two markers supplied on the marker positions on the projection screen and secure them



- Magnetic screens: Place the base of the markers onto the screen.
- Non-magnetic screens: Use the supplied tape to secure the markers as shown below.



Do not place anything other than the markers near the projected image during angle adjustment. If other objects are on the projected image, angle adjustment may not be performed correctly.

6

Press the [Enter] button to start Touch Unit auto adjustment



Auto adjustment may take a few minutes depending on the projection surface.

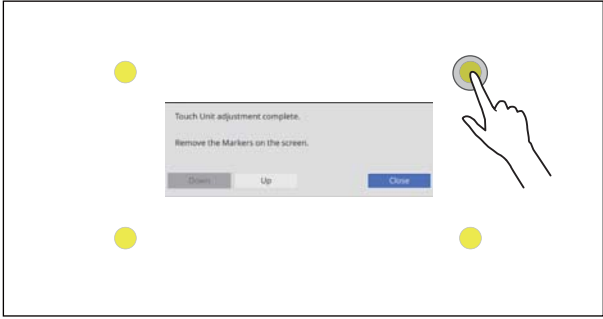
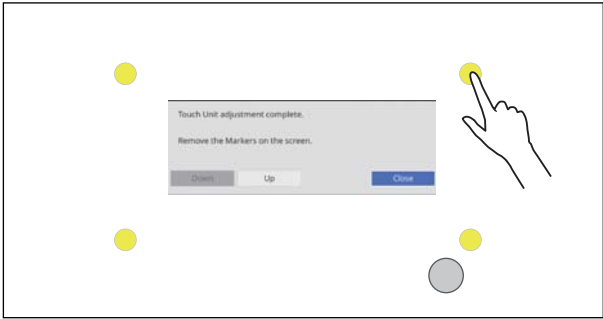
7

When the message **Touch Unit adjustment complete.** is displayed, remove the markers from the projection surface

If you see a message notifying you that auto adjustment has failed, check "When auto adjustment fails" [p.111](#).

8 Touch (●) displayed on the screen with your finger and check if (○) is displayed in the same position

Touch all four (●) to confirm.

Screen	Status
	<p>Adjustment has been performed correctly if the location you touch with your finger is the same place as where (○) is displayed.</p>
	<p>If (○) is displayed in a different location to the point you touched, select <b>Up</b> once using the control panel or the remote control. Next, touch (●) again with your finger to confirm.</p> <p>Repeat until (○) is displayed in the correct position.</p>

Adjustment is complete when (○) appears in the correct position for all four (●) positions.

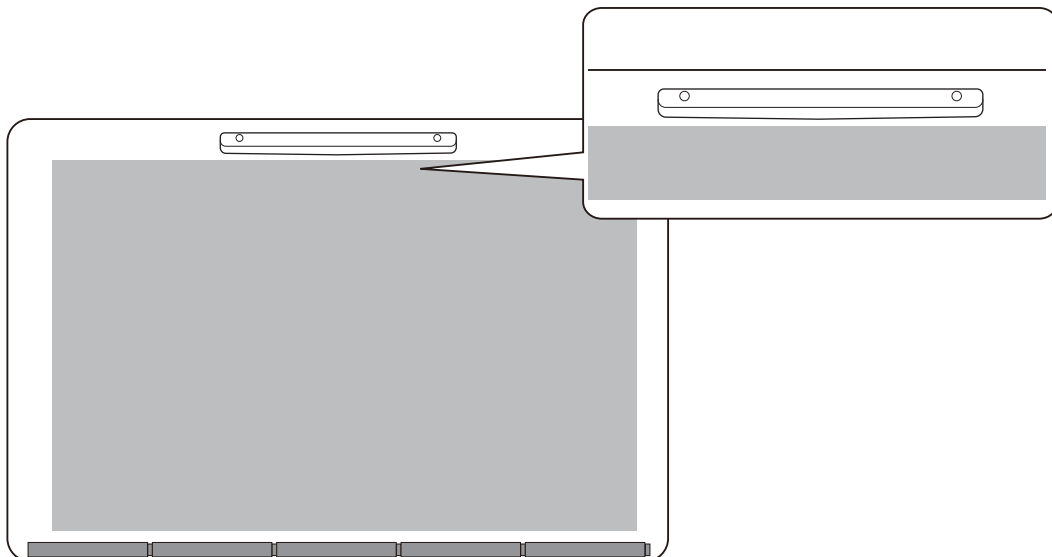
Go to "Calibrating the Touch Operation Position" [p.120](#).

■ When auto adjustment fails

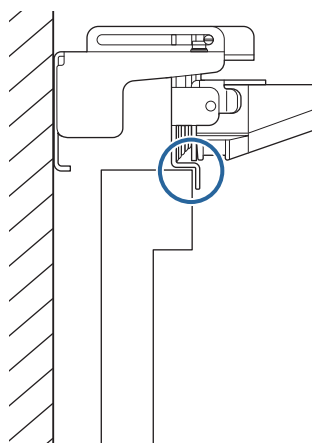
---

1 Check that the Touch Unit installation position is correct

- Make sure that the Touch Unit and the projected image are parallel.



- If you are using a Touch Unit Bracket, make sure that the bottom edge of the bracket is flush with the edge of the projection surface without any gaps.

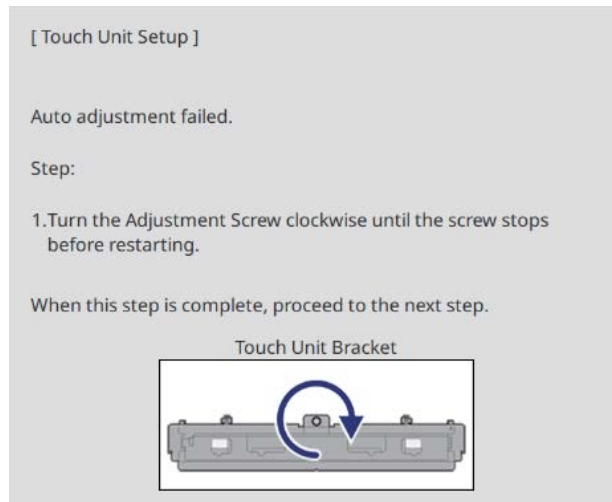




2

### Check the message displayed and take the necessary action

- If the following screen is displayed, adjust the angle of the laser, and then perform auto adjustment again. For details, see "Adjusting the angle of the laser" [p.112](#).



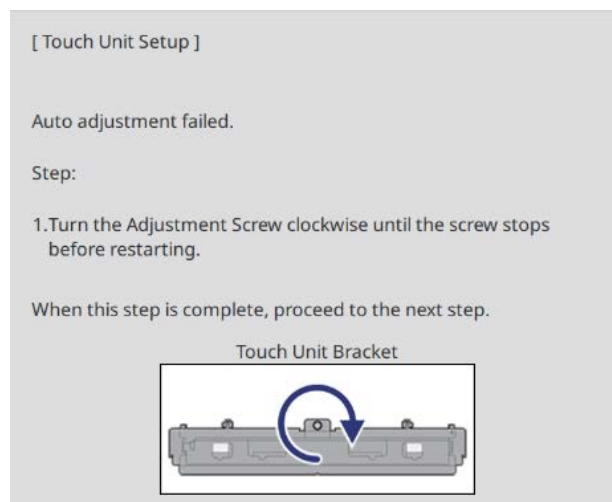
- If a screen other than the above is displayed, check all of the information displayed on the screen. When you have checked everything, perform **Touch Unit Setup (Auto)** or **Touch Unit Setup (Manual)** from the **Installation** menu again. For details on manual adjustments, see "Manually adjusting the angle of the laser" [p.114](#).



If the problem continues to occur even after checking all of the items, the Touch Unit may be malfunctioning. Contact your dealer.

## Adjusting the angle of the laser

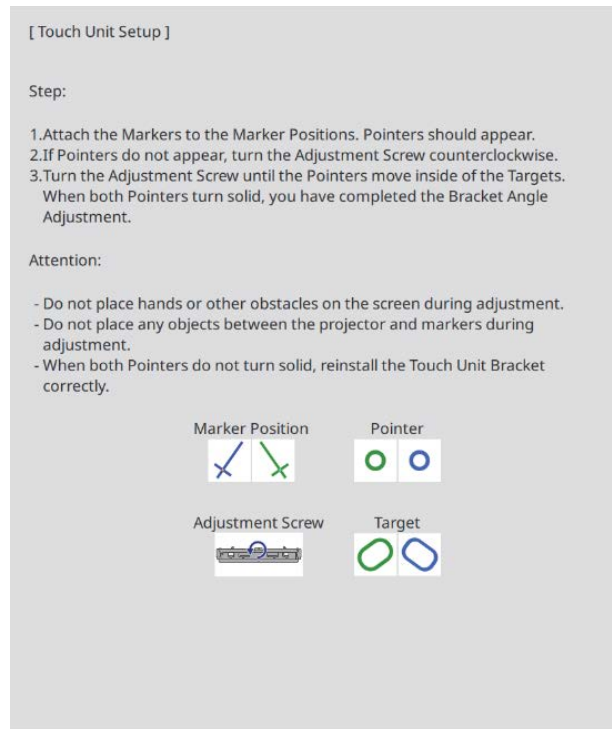
This section explains how to re-adjust the laser when you see the following screen.



1

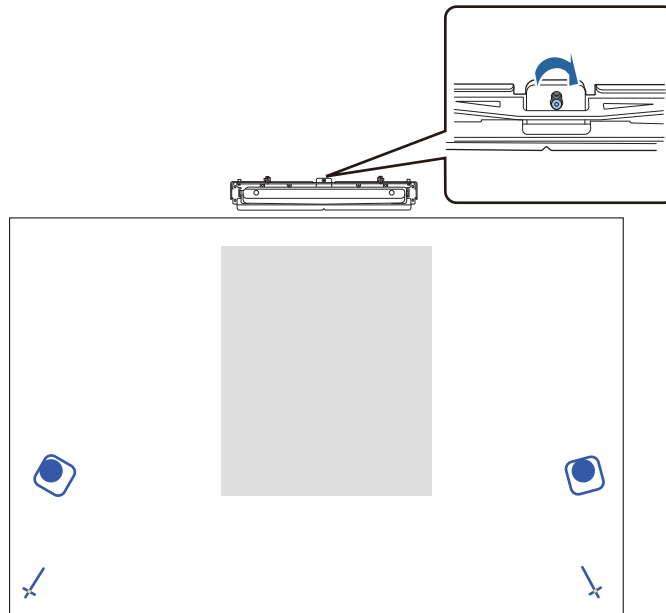
Press the [Enter] button

You see the following adjustment screen.



2

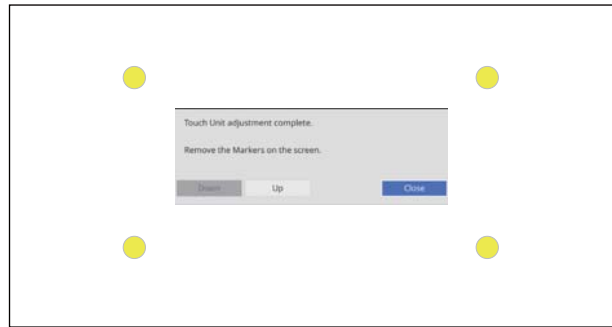
Turn the adjustment screw clockwise to cover the left and right pointers



3

Press the [Enter] button to start Touch Unit auto adjustment

4 When adjustment is complete and you see the following screen, remove the markers from the projection surface

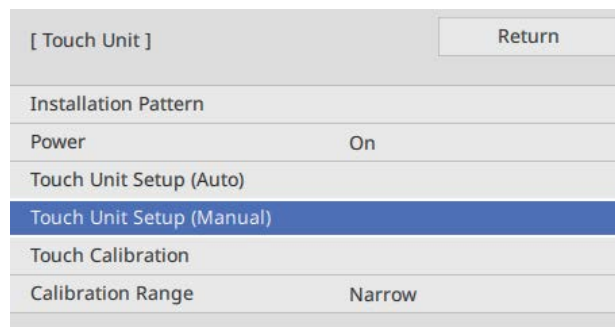


If you see a message notifying you that auto adjustment has failed, check "When auto adjustment fails" p.111.

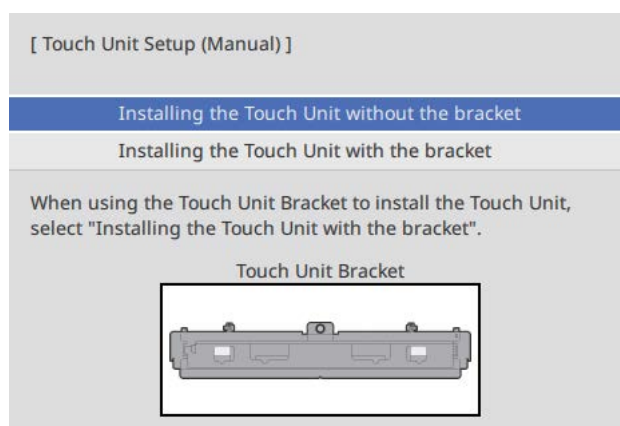
## Manually adjusting the angle of the laser

If **Touch Unit Setup (Auto)** fails, you can make adjustments manually.

1 Select **Touch Unit - Touch Unit Setup (Manual)** from the **Installation** menu

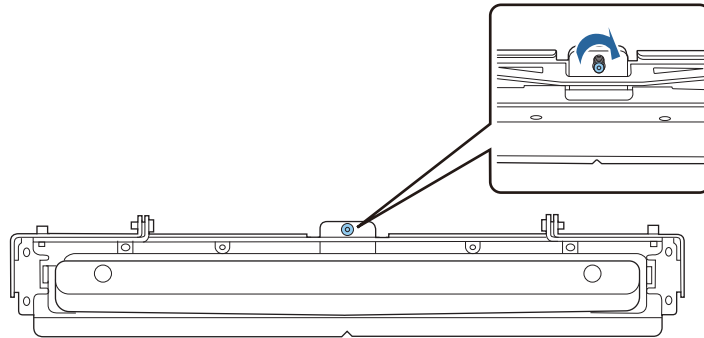


2 Select whether or not the Touch Unit Bracket is being used

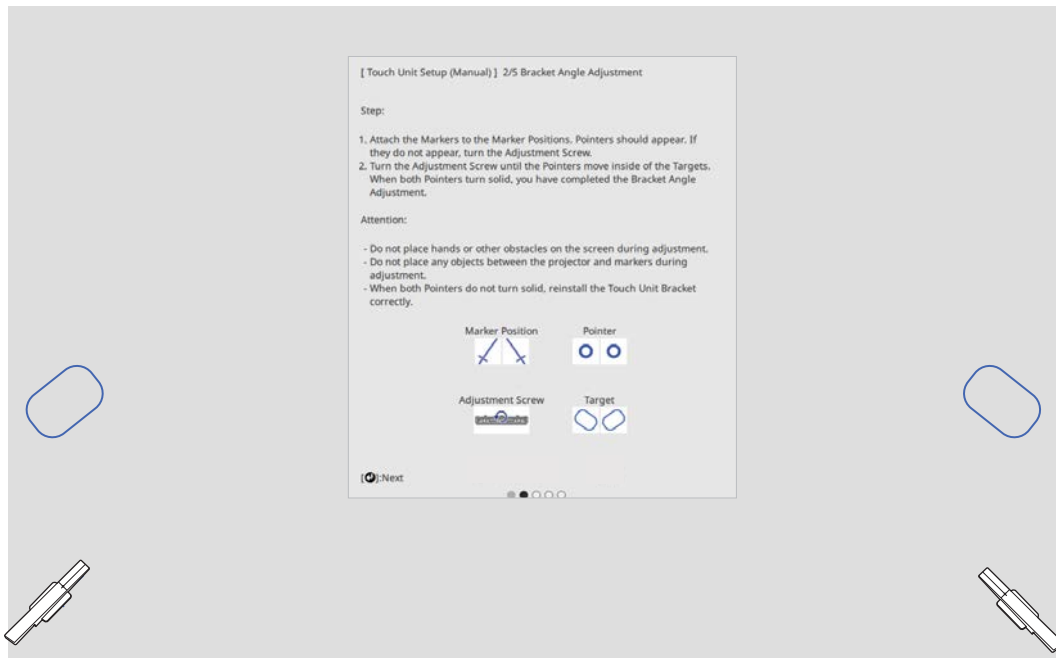


If you select **Installing the Touch Unit without the bracket**, go to step 6.

- 3** If you are using the Touch Unit Bracket, turn the adjustment screw on the top of the bracket clockwise until you cannot turn it any further



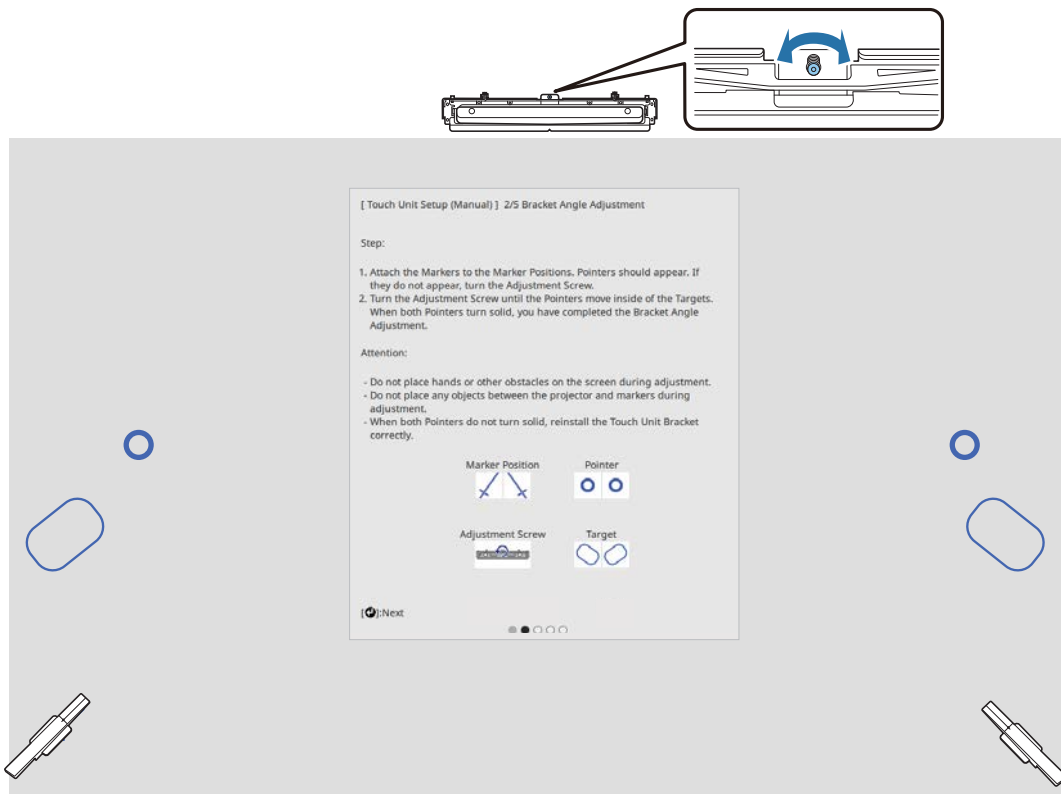
- 4** If you are using the Touch Unit Bracket, place the two markers supplied on the marker positions on the projection screen and secure them



When the markers have been secured, pointers are displayed on the left and right of the projection screen.

If the pointers are not displayed, turn the adjustment screw on the top of the Touch Unit Bracket until they are displayed.

**5** If you are using the Touch Unit Bracket, turn the adjustment screw on the top of the bracket to move the pointers into the targets



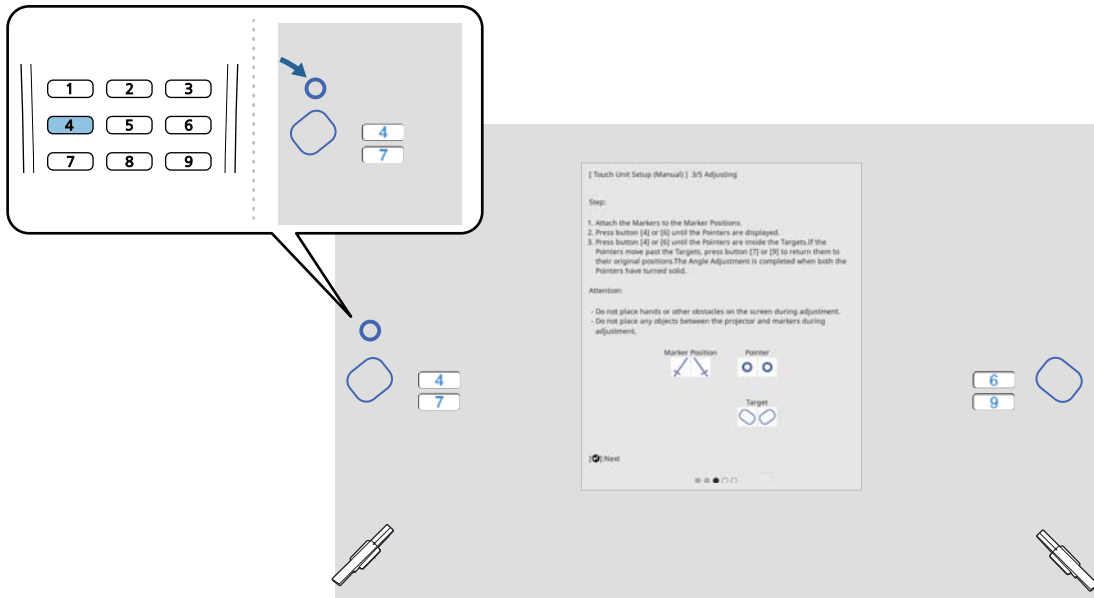
When they are in the targets, the pointers are filled in ( ● ).

When the pointers on the left and right are filled in, press the [Enter] button on the remote control.

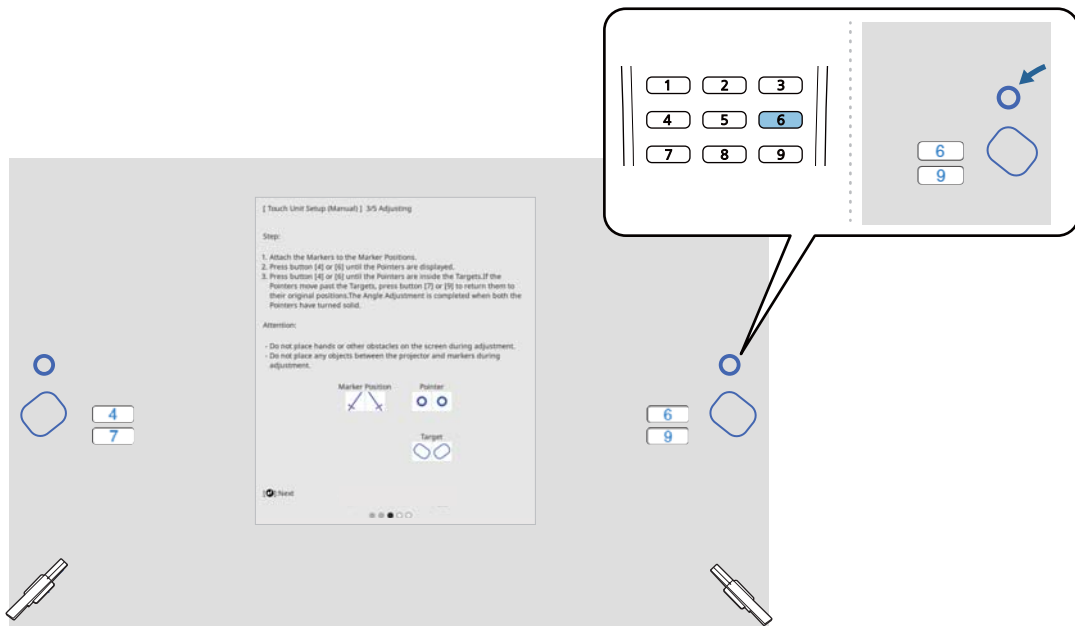
**6** Place the two markers supplied on the marker positions on the projection screen and secure them




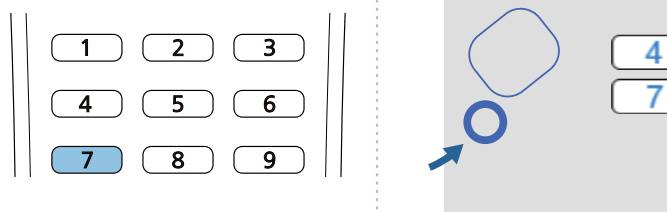
**7** Press the number [4] button on the remote control until a pointer is displayed on the left of the projection screen



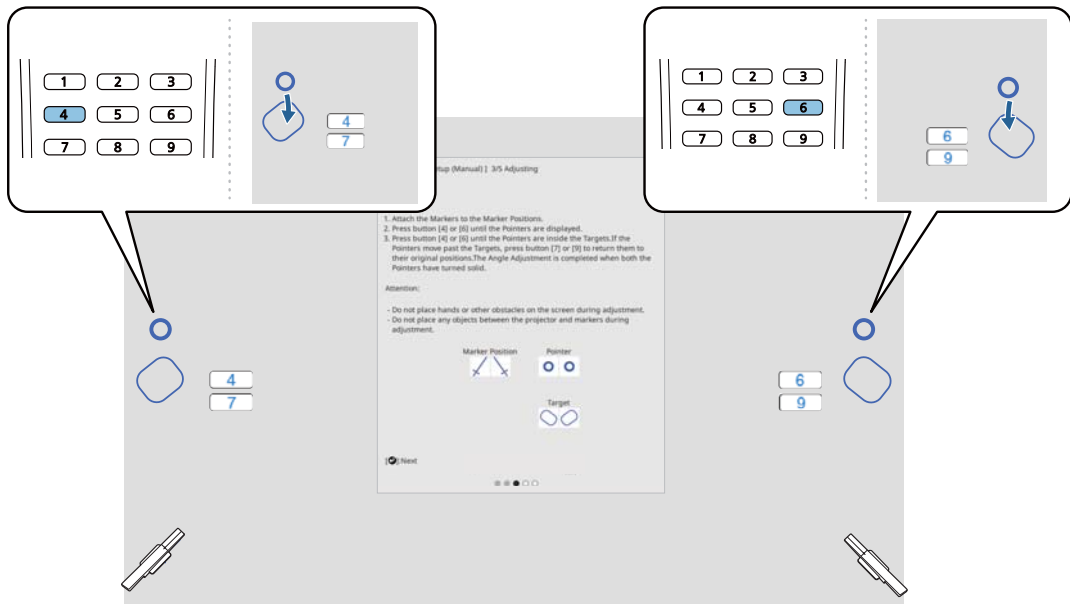
**8** Press the number [6] button on the remote control until a pointer is displayed on the right of the projection screen



 If the pointer on the left moves off the screen while you are moving the pointer on the right, press the number [7] button on the remote control until it is displayed again.



**9** Move the left and right pointers using the number [4] or [6] buttons on the remote control to move them into the targets

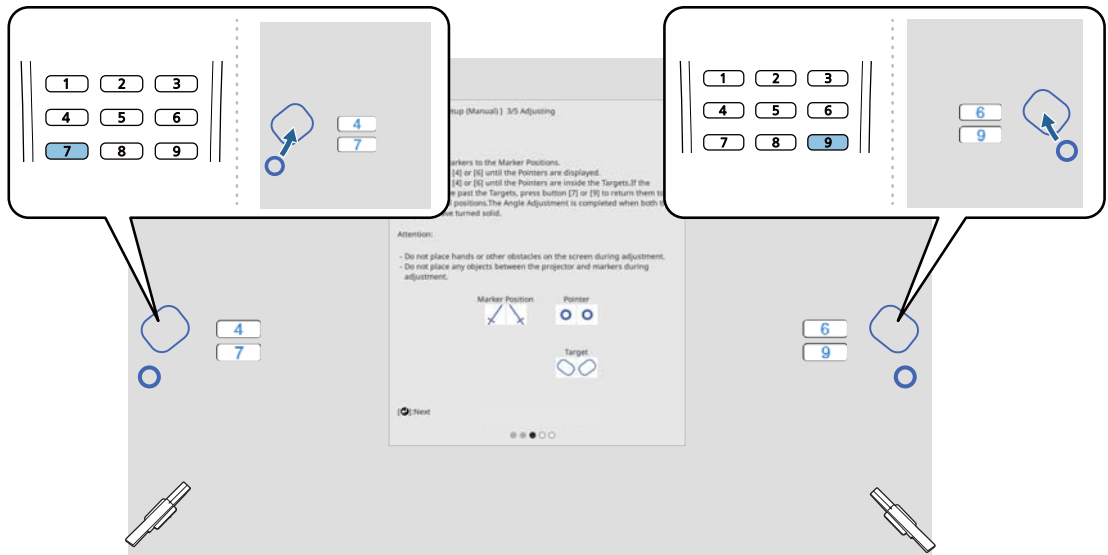


When they are in the targets, the pointers are filled in (●).

When the pointers on the left and right are filled in, press the [Enter] button on the remote control.



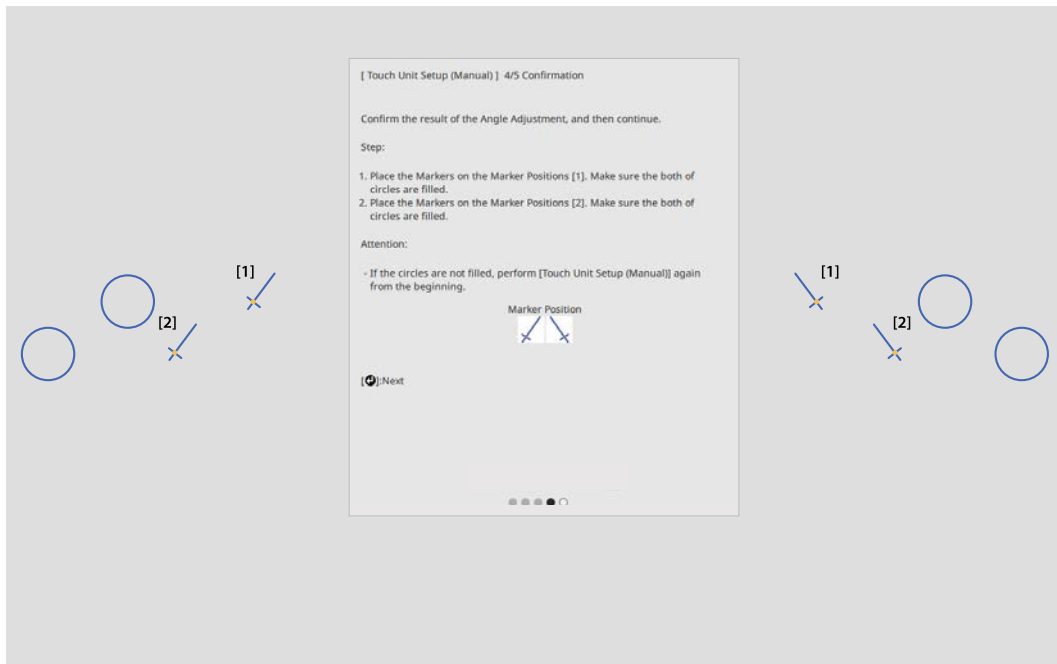
- When you move one pointer, the other pointer also moves slightly. We recommend adjusting the left and right pointers alternating a little at a time while checking the position of the pointers.
- If the pointers move beyond the target positions, use the number [7] or [9] buttons on the remote control to move the pointers in the opposite direction.



- If you cannot move the pointers as intended, press the [Esc] button on the remote control and start again from step 6.

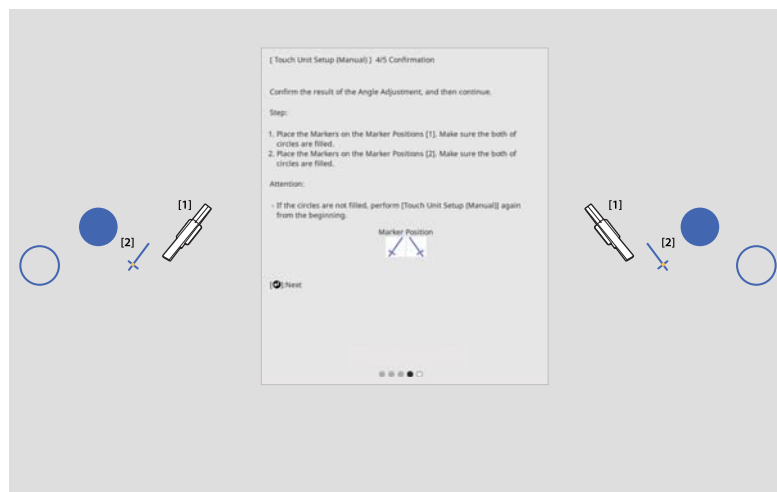
10

Follow the on-screen instructions to place the markers on the marker positions, and then check the adjustment results

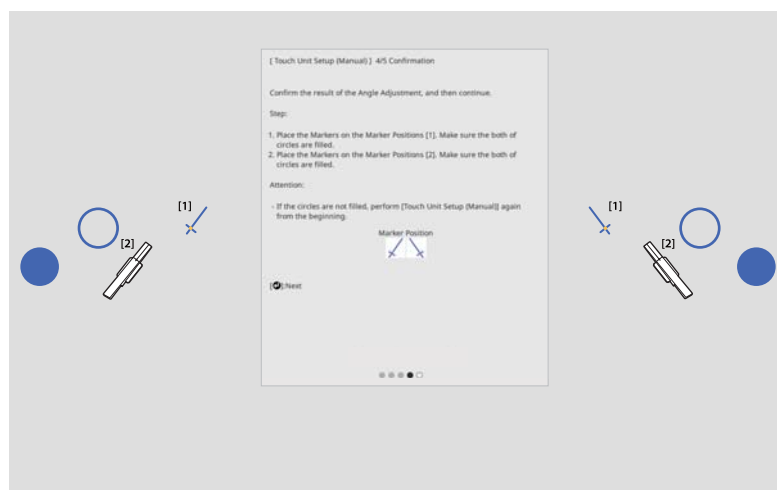


Check that the circles displayed on the projection screen are filled in when the markers are placed on the marker positions.

When a marker is placed on position [1]

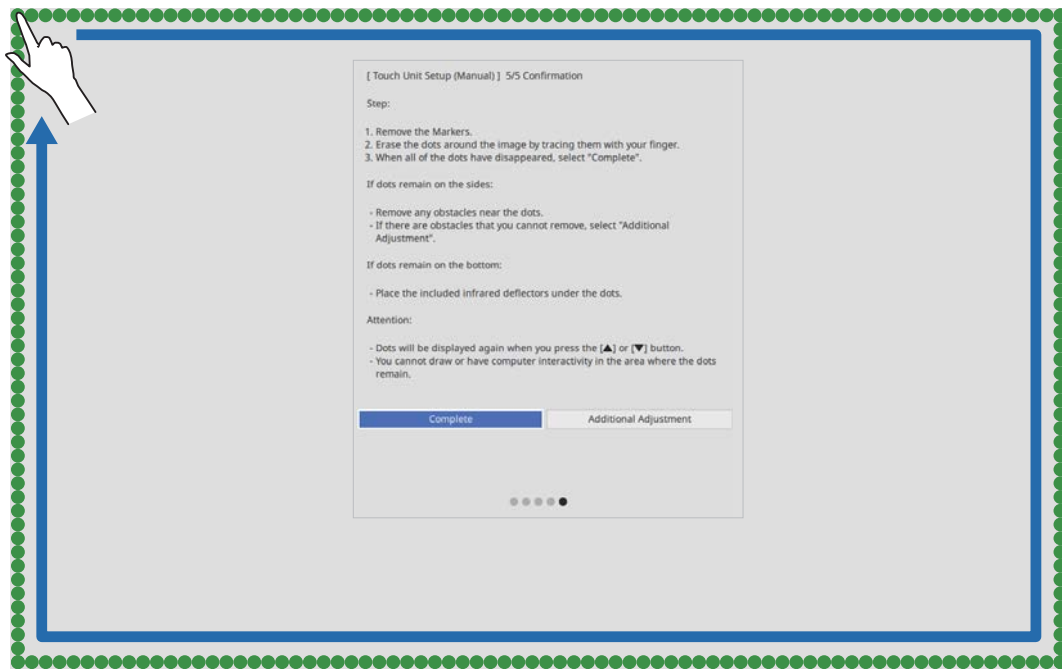


When a marker is placed on position [2]





11 Remove the markers, and then trace the dots on the projection screen with your finger to erase them



When all of the dots have disappeared, select **Complete**.

Go to "Calibrating the Touch Operation Position" [p.120](#).

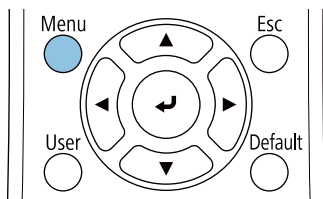
If any of the dots will not disappear, select **Additional Adjustment**. Follow the on-screen instructions at adjust again.

## Calibrating the Touch Operation Position

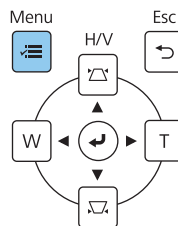
Perform touch calibration so that the projector can recognize touch operations precisely.

1 Press the projector's [Menu] button

Using the Remote Control



Using the Control Panel



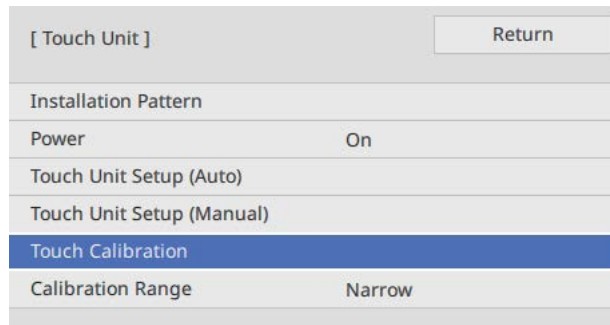
2

## Select **Touch Unit** from the **Installation** menu



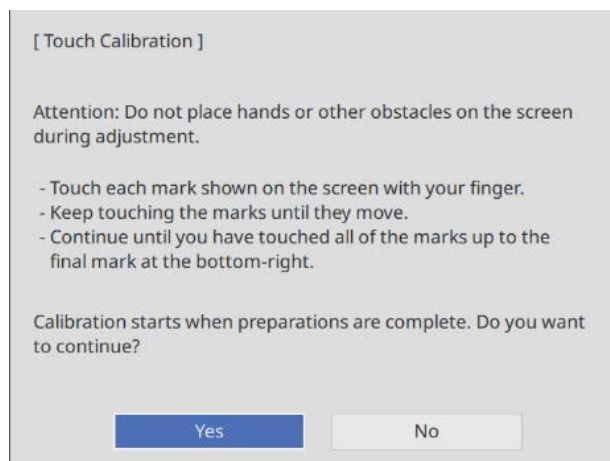
3

## Select **Touch Calibration**



4

## Select **Yes**

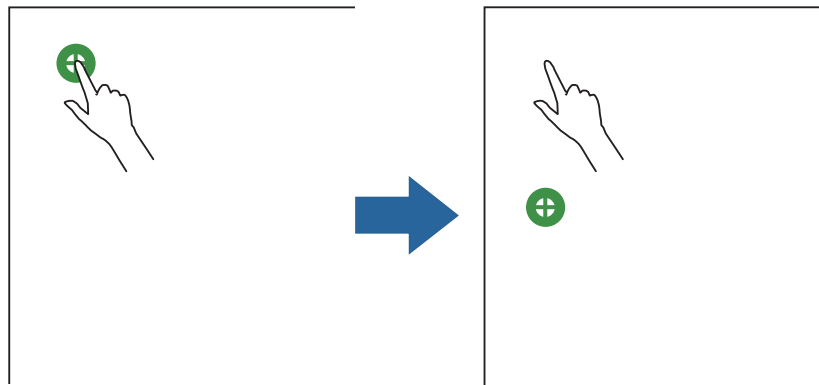


You see a dot at the top left of the projection screen.

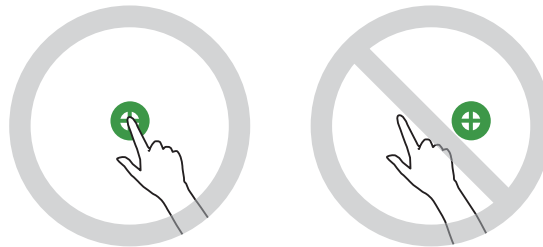
5

Touch the center of the dot with your finger

When the dot disappears and moves to the next position, remove your finger.



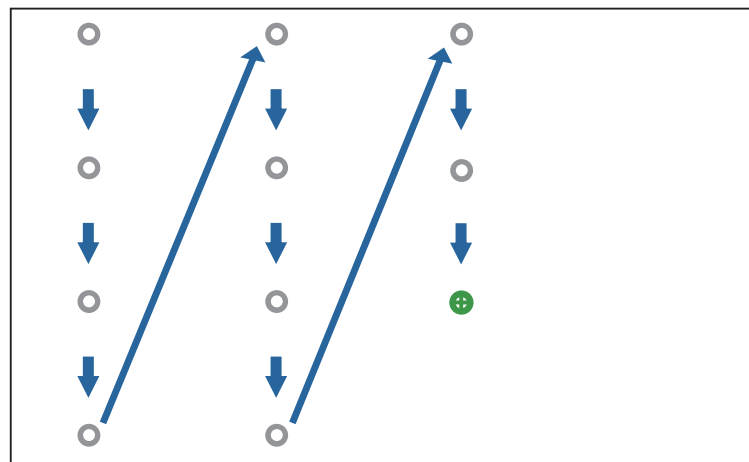
- Make sure you touch the center of the dot. Otherwise, it may not be positioned correctly.



- Do not touch with anything else except the tip of your finger.

6

Repeat step 5 until all of the dots disappear



When all of the dots disappear, touch calibration is complete.



- If you touch the wrong position, press the [Esc] button on the remote control or control panel. This returns you to the previous dot. You cannot go back by two dots.
- To cancel touch calibration, hold down the [Esc] button for two seconds.
- It may take several seconds after all of the dots have disappeared until touch calibration is complete.

## Batch Setup Function

After making the projector's menu settings for one projector, you can copy the settings to other projectors (batch setup function). The batch setup function is only for projectors with the same model number.

Use one of the following methods.

- Setup using a USB flash drive.
- Setup by connecting the computer and projector with a USB cable.
- Make settings using Epson Projector Management.

This guide explains the USB flash drive and the USB cable methods.

For details on making settings using Epson Projector Management, see the *Epson Projector Management Operation Guide*.



- If you do not want to copy the following settings, set **Batch Setup Range** to **Limited**.
  - **Password Protection**
  - **EDID** from the **Signal I/O** menu
  - **Network** menu
- Perform batch setup before adjusting the position of the projectors. The batch setup function copies adjustment values for the projected image such as Geometry Correction. If batch setup is performed after adjusting the position of the projectors, the adjustments you made may change.
- By using the batch setup function, the registered User's Logo is copied to the other projectors. Do not register confidential information as the User's Logo.



### Caution

Performing batch setup is the customer's responsibility. If batch setup fails due to an accident such as a power failure, communication error, the customer is responsible for any repair costs incurred.

## Setup Using a USB Flash Drive

This section explains how to perform batch setup using a USB flash drive.



- Use a FAT format USB flash drive.
- The batch setup function cannot be used by USB flash drives that incorporate security functions. Use a USB flash drive that does not incorporate security functions.
- The batch setup function cannot be used by USB card readers or USB hard disks.

### Saving settings to the USB flash drive

1

Disconnect the power cord from the projector, and check that all of the projector's indicators have turned off

2

### Connect the USB flash drive to the projector's USB-A port



- Connect the USB flash drive directly to the projector. If the USB flash drive is connected to the projector through a USB hub, the settings may not be saved correctly.
- Connect an empty USB flash drive. If the USB flash drive contains data other than the batch setup file, the settings may not be saved correctly.

3

### While holding down the [Esc] button on the remote control or the control panel, connect the power cord to the projector

The On/Standby indicator and the Status indicator turn blue, and the Laser indicator and the Temp indicator turn orange.

When all of the projector's indicators turn on, release the [Esc] button.

On/Standby 

Status 

Laser 

Temp 

When all of the indicators start flashing, the batch setup file is being written.



#### Caution

- Do not disconnect the power cord from the projector while the file is being written. If the power cord is disconnected, the projector may not start correctly.
- Do not disconnect the USB flash drive from the projector while the file is being written. If the USB flash drive is disconnected, the projector may not start correctly.

When writing completes normally, the projector turns off, and only the On/Standby indicator is lit blue.

On/Standby 

Status 

Laser 

Temp 

When the power turns off, remove the USB flash drive.



- The file name for the batch setup file is PJCONFDATA.bin. If you need to change the file name, add text after PJCONFDATA. If you change the PJCONFDATA section of the file name, the projector may not be able to recognize the file correctly.
- You can only use single-byte characters for the file name.

## ■ Copying saved settings to other projectors

1 Disconnect the power cord from the projector, and check that all of the projector's indicators have turned off

2 Connect the USB flash drive containing the saved batch setup file to the projector's USB-A port



Do not store any data except for the batch setup file on the USB flash drive. If the USB flash drive contains data other than the batch setup file, the settings may not be copied correctly.

3 While holding down the [Menu] button on the remote control or the control panel, connect the power cord to the projector

The On/Standby indicator and the Status indicator turn blue, and the Laser indicator and the Temp indicator turn orange.

When all of the projector's indicators turn on, release the [Menu] button. The indicators turn on for approximately 75 seconds.

On/Standby

Status

Laser

Temp

When all of the indicators start flashing, the settings are being written.



### Caution

- Do not disconnect the power cord from the projector while the settings are being written. If the power cord is disconnected, the projector may not start correctly.
- Do not disconnect the USB flash drive from the projector while the settings are being written. If the USB flash drive is disconnected, the projector may not start correctly.

When writing completes normally, the projector turns off, and only the On/Standby indicator is lit blue.

On/Standby

Status

Laser

Temp

When the power turns off, remove the USB flash drive.

## Setup by Connecting the Computer and Projector with a USB Cable



The following operating systems support the batch setup function.

- Windows 8.1 and later
- macOS 10.13.x and later

### ■ Saving settings to a computer

- 1 Disconnect the power cord from the projector, and check that all of the projector's indicators have turned off
- 2 Connect the computer's USB port to the projector's USB-B1 port with a USB cable
- 3 While holding down the [Esc] button on the remote control or the control panel, connect the power cord to the projector

The On/Standby indicator and the Status indicator turn blue, and the Laser indicator and the Temp indicator turn orange.

When all of the projector's indicators turn on, release the [Esc] button.

On/Standby  

Status  

Laser  

Temp  

The projector is recognized as a removable disk by the computer.

- 4 Open the removable disk, and save the batch setup file (PJCONFDATA.bin) to the computer



If you need to change the name of the batch setup file, add text after PJCONFDATA. If you change the PJCONFDATA section of the file name, the projector may not be able to recognize the file correctly. You can only use single-byte characters for the file name.

5

Perform "Remove USB device" on your computer, and then disconnect the USB cable



When using a Mac, perform "Remove EPSON\_PJ".

The projector turns off, and only the On/Standby indicator is lit blue.

On/Standby 

Status 

Laser 

Temp 

### ■ Copying saved settings to other projectors

---

1

Disconnect the power cord from the projector, and check that all of the projector's indicators have turned off

2

Connect the computer's USB port to the projector's USB-B1 port with a USB cable

3

While holding down the [Menu] button on the remote control or the control panel, connect the power cord to the projector

The On/Standby indicator and the Status indicator turn blue, and the Laser indicator and the Temp indicator turn orange.

When all of the projector's indicators turn on, release the [Menu] button.

On/Standby 

Status 

Laser 

Temp 

The projector is recognized as a removable disk by the computer.

4

Copy the batch setup file (PJCONFDATA.bin) that you saved to your computer to the top-level folder of the removable disk



Do not copy any files or folders other than the batch setup file to the removable disk.



5

Perform "Remove USB device" on your computer, and then disconnect the USB cable



When using a Mac, perform "Remove EPSON\_PJ".

When all of the indicators start flashing, the settings are being written.



**Caution**

Do not disconnect the power cord from the projector while the settings are being written. If the power cord is disconnected, the projector may not start correctly.

When writing completes normally, the projector turns off, and only the On/Standby indicator is lit blue.

















On/Standby  

Status  

Laser  

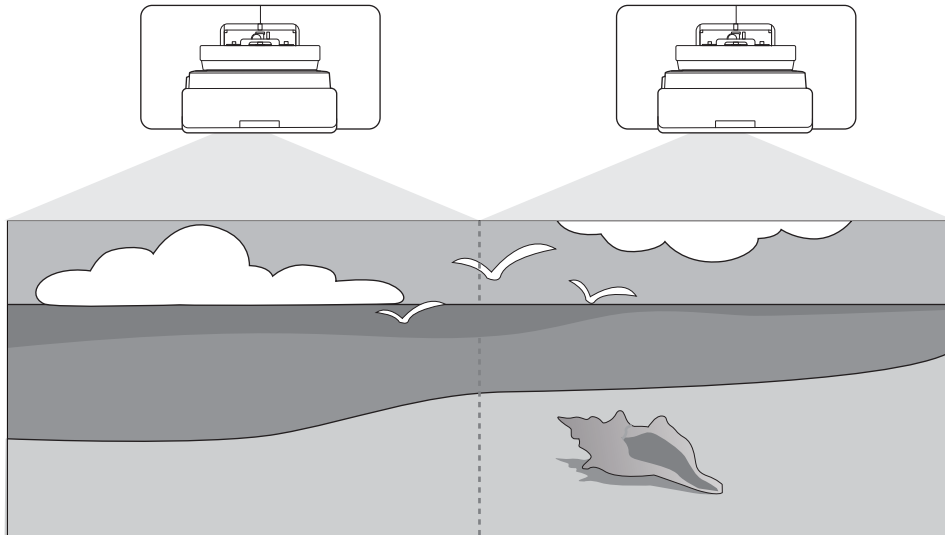
Temp  

## When Setup Fails

Check	Remedy
<p>Are the Laser and the Temp indicators flashing orange quickly?</p> <p>On/Standby  </p> <p>Status  </p> <p>Laser  </p> <p>Temp  </p>	<p>The batch setup file may be corrupt, or the USB flash drive or USB cable may not be connected correctly. Disconnect the USB flash drive or the USB cable, unplug and then plug in the projector's power cord, and then try again.</p>
<p>Are the On/Standby and the Status indicators flashing blue, and the Laser and the Temp indicators flashing orange quickly?</p> <p>On/Standby  </p> <p>Status  </p> <p>Laser  </p> <p>Temp  </p>	<p>Writing the settings may have failed and an error may have occurred in the projector's firmware. Stop using the projector, remove the power plug from the electrical outlet, and contact Epson for help.</p>

# Installing Multiple Projectors (Multi-Projection)

You can create one large screen as a unified image projected from multiple projectors.



When performing multi-projection, make connections and the necessary settings in the following order.



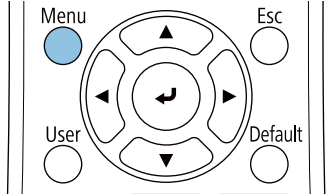
When setting Multi-Projection, we recommend setting **Operation > Sleep Mode** to **Off** from the projector's Menu.

- 1 Setting the Projector ID (👉 p.129)
- 2 Multi-Projection image adjustment (👉 p.131)

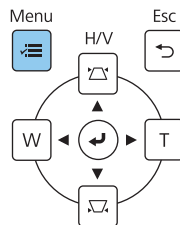
## Setting the Projector ID

1 Turn on the projector, and then press the [Menu] button

Using the Remote Control

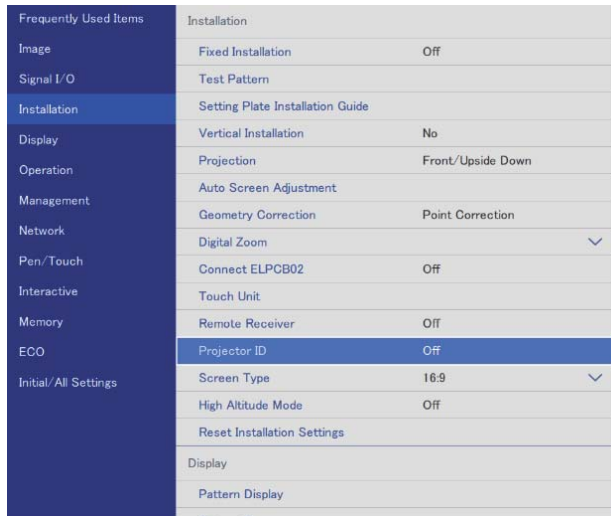


Using the Control Panel

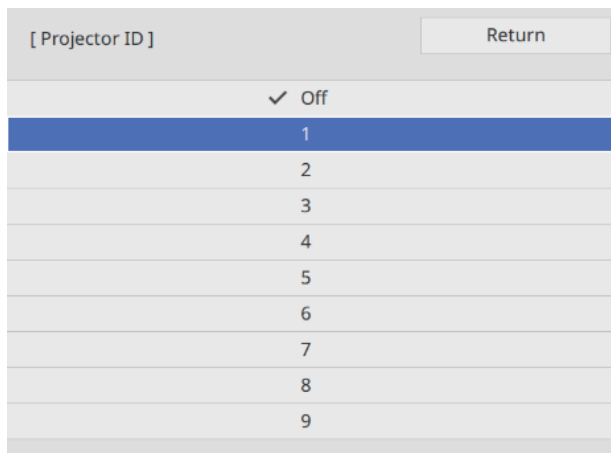


**2** Select **Projector ID** from the **Installation** menu

When using EB-770Fi, select **Projector ID** from the **Multi-Projection** menu.



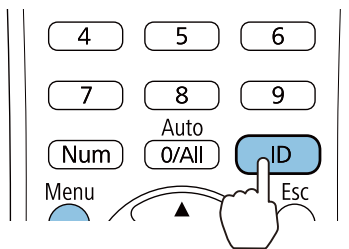
**3** Select the ID number for the projector



**4** Press the [Esc] button to close the menu

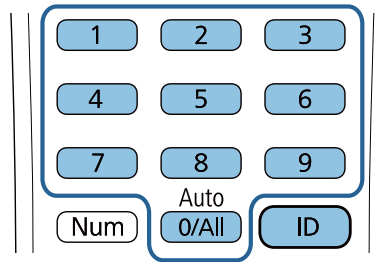
Repeat steps 1 to 4 for the remaining projectors.

**5** Point the remote control at the projector you want to operate, and then press the [ID] button



The current ID number is displayed on the projection screen.

- 6** While holding down the [ID] button, press the button with the same number as the projector ID for the projector you want to operate



Remote control operations for the projector with the selected ID are enabled.



- When **Projector ID** is set to **Off**, you can operate the projector using the remote control regardless of the ID setting selected using the remote control.
- When the remote control ID is set to 0, you can operate all of the projectors regardless of the projector ID setting.
- Operating multiple remote controls at the same time can cause accidental operations due to infrared interference.

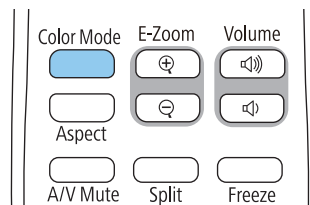
## Adjusting the Image in Multi-Projection



Images are not stable immediately after turning on the projector. After starting projection, wait for at least 30 minutes before adjusting the image.

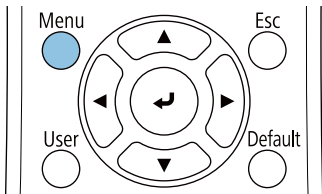
When using the EB-770Fi

- 1** Turn on the projector
- 2** Press the [Color Mode] button on the remote control, and then set the Color Mode to **Multi-Projection**

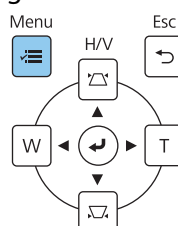


- 3** Press the [Menu] button

Using the Remote Control



Using the Control Panel



**4** Make necessary settings on the **Multi-Projection** menu

For details on making settings, see the projector's *User's Guide*.

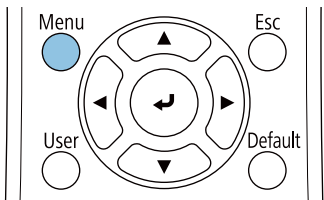
<b>Tiling</b>	Set the number and position of the projectors.
<b>Geometry Correction</b>	Correct the shape of the image.
<b>Edge Blending</b> <b>Black Level</b>	Adjust the image overlapping section to create a seamless image.
<b>Scale</b>	Set the magnification and splicing position for the image.
<b>Light Source Mode</b>	Adjust the brightness of the entire image. Select <b>Custom</b> , and then adjust the <b>Brightness Level</b> based on the darkest projector.
<b>Color Uniformity</b> <b>Color Matching</b> <b>RGBCMY</b>	Adjust the color of the image for each projector so that the entire image looks uniform.

■ When using the EB-760Wi

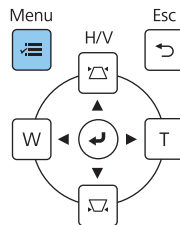
**1** Turn on the projector

**2** Press the [Menu] button

Using the Remote Control



Using the Control Panel


















**3** Make the necessary settings from the following menus

















For details on making settings, see the projector's *User's Guide*.

<b>Image - Color Mode</b> (Press the [Color Mode] button on the remote control to execute)	Select the same item for each projector so that the color of the entire image looks uniform.
<b>Operation - Light Source Brightness Control - Light Source Mode</b>	Adjust the brightness of the entire image. Select <b>Custom</b> , and then adjust the <b>Brightness Level</b> based on the darkest projector.
<b>Management - Color Uniformity</b> <b>Image - RGBCMY</b>	Adjust the color of the image for each projector so that the entire image looks uniform.

## List of Safety Symbols

The following table lists the meaning of the safety symbols labeled on the equipment.

Symbol mark	Approved standards	Meaning
	IEC60417 No.5007	Power On To indicate connection to the mains.
	IEC60417 No.5008	Power Off To indicate disconnection from the mains.
	IEC60417 No.5009	Standby To identify the switch or switch position by means of which part of the equipment is switched on in order to bring it into the standby condition.
	ISO7000 No.0434B IEC3864-B3.1	Caution To identify general caution when using the product.
	IEC60417 No.5041	Caution, hot surface To indicate that the marked item can be hot and should not be touched without taking care.
	IEC60417 No.6042 ISO3864-B3.6	Caution, risk of electric shock To identify equipment that presents a risk of electric shock.
	IEC60417 No.5957	For indoor use only To identify electrical equipment designed primarily for indoor use.
	IEC60417 No.5926	Polarity of d.c. power connector To identify the positive and negative connections (the polarity) on a piece of equipment to which a d.c. power supply may be connected.
	---	
	IEC60417 No.5001B	Battery, general On battery powered equipment. To identify a device for instance a cover for the battery compartment, or the connector terminals.
	IEC60417 No.5002	Positioning of battery To identify the battery holder itself and to identify the positioning of the batteries inside the battery holder.
	---	
	IEC60417 No.5019	Protective earth To identify any terminal which is intended for connection to an external conductor for protection against electric shock in case of a fault, or the terminal of a protective earth electrode.
	IEC60417 No.5017	Earth To identify an earth (ground) terminal in cases where the  is not explicitly required.

Symbol mark	Approved standards	Meaning
	IEC60417 No.5032	Alternating current To indicate that the equipment is suitable for alternating current only; to identify relevant terminals.
	IEC60417 No.5031	Direct current To indicate that the equipment is suitable for direct current only; to identify relevant terminals.
	IEC60417 No.5172	Class II equipment To identify equipment meeting the safety requirements specified for Class II equipment according to IEC 61140.
	ISO 3864	General prohibition To identify actions or operations that are prohibited.
	ISO 3864	Contact prohibition To indicate injury that could occur due to touching a specific part of the equipment.
	---	Never look into the projection window while the projector is on.
	---	To indicate that you must never place anything on the projector.
	ISO3864 IEC60825-1	Caution, laser radiation To indicate the equipment has a laser radiation part.
	ISO 3864	Disassembly prohibition To indicate a risk of injury, such as electric shock, if the equipment is disassembled.
	IEC60417 No.5266	Standby, partial standby To indicate that part of the equipment is in the ready status.
	ISO3864 IEC60417 No.5057	Caution, movable parts To indicate that you must keep away from movable parts according to protection standards.
	IEC 60417-6056	Caution, movable fan blades To indicate that you must keep away from the blades of the movable fan according to protection standards.
	IEC 60417-6043	Caution, sharp corners To indicate that you must not touch the sharp corners of the product according to protection standards.
	--	Never look into the projection window while the projector is on.
	ISO7010 No. W027 ISO 3864	Warning, light emission (UV, visible light, IR and so on) To indicate that you must be careful not to injure your eyes or skin when near light emitting sections.
	IEC60417 No.5109	Not to be used in residential areas To indicate that the electrical equipment/device is not suitable for use in a residential area.

**Indication of the manufacturer and the importer in accordance with requirements of directive 2011/65/  
EU (RoHS)**

Manufacturer: SEIKO EPSON CORPORATION

Address: 3-5, Owa 3-chome, Suwa-shi, Nagano-ken 392-8502 Japan

Telephone: 81-266-52-3131

<http://www.epson.com/>

Importer: SEIKO EUROPE B.V.

Address: Azië building, Atlas Arena, Hoogoorddreef 5, 1101 BA Amsterdam Zuidoost The Netherlands

Telephone: 31-20-314-5000

<http://www.epson.eu/>



## General Notice

Mac and macOS are trademarks of Apple Inc.

Microsoft and Windows are trademarks or registered trademarks of Microsoft Corporation in the United States and/or other countries.

© 2023 Seiko Epson Corporation

2023.1 Rev.1.0