

Features

This printer provides you with a variety of different printing options as follows. For details, refer to the online *Reference Guide*.

- | | |
|-------------------------|-----------------------------|
| Double-sided printing | No margin printing |
| Printing on roll paper | Automatic roll paper cutter |
| Printing on CD-R | PhotoQuicker |
| Printing on matte board | |

Accessing the Online Reference Guide

Follow these steps to access the online *Reference Guide*.

1. Insert the printer software CD in the CD-ROM drive.
2. For Windows, select **User Guides** in the Installer dialog box and click . For Macintosh, double-click the **EPSON** icon, then select **User Guides** in the installer dialog box and click .

Online Problem Solving

The EPSON's Technical Support Web Site provide you with tips to help solve any problems. Access the Technical Support in one of the following ways:

For Windows users

You can also access them by clicking **Technical Support** in the Status Monitor 3 dialog box or on the Main menu of the printer software.

For further information on the customer support services available in your area, see the online *Reference Guide*.

For Macintosh users

1. Insert the CD in the CD-ROM drive.
2. Double-click the **EPSON** icon
3. Select **Technical Support Web Site**, and click .

For further information on the customer support services available in your area, see the online *Reference Guide*.

Accessing the Printer Software

The printer software includes a printer driver and utilities. The printer driver lets you choose from a wide variety of settings to get the best results from your printer. The printer utilities help you check the printer and keep it in top operating condition. Access the printer software as explained in this section.

For Windows users

From Windows applications

1. From the **File** menu of your application, click **Print**. The Print dialog box appears.
2. Select your printer, then click **Properties**, **Printer**, **Setup**, or **Options** to access the printer software. (Depending on your application, you may need to click a combination of these buttons.)

Note:

When you access the printer software from a Windows application, the settings that you make apply only to the application you are using.

From the Start menu

1. For Windows Me, 2000, NT 4.0, 98 and 95 users, click **Start**, point to **Settings**, then click **Printers**.
For Windows XP users, click **Start**, then click **Control Panel**, then click **Printers and Other Hardware**, then click **Printers and Faxes**.
2. Select your printer, then click **Properties** on the **File** menu. If you are a Windows XP and 2000 user, select your printer, then click **Printing Preferences** on the **File** menu.

For Macintosh users

You can access the various printer software dialog boxes as described below.

Dialog Box	How to Access
Print	Click Print on the File menu of your application or click Options in the Page Setup dialog box.
Page Setup	Click Page Setup on the File menu of your application.
Layout	Click the Layout icon button in the Print dialog box.
Utility	Click the Utility icon button in the Print or Page Setup dialog box.

Panel Operation

Button	Function
power	Turns the printer on and off. To turn the printer off, press and hold the power button until the light goes out. Clears the memory of the printer if pressed twice while the power is on.
paper	Controls the paper-load and eject functions. Printing will resume if pressed after a paper out error or double feed error.
ink	Moves the print head to enable replacement of the ink cartridge. Enables print head cleaning if pressed for three seconds while the ink out light is off.
roll paper (without the cutter)	Prints a cutting guideline and feeds roll paper to a position where it can be easily removed from the sheet feeder if pressed after printing. Feeds roll paper to the printing position if pressed after cutting the paper. Feeds roll paper in reverse to a position where it can be easily removed from the roll paper feeder, if pressed for 3 seconds.
roll paper (with the cutter)	With driver setting Single Cut or Double Cut Cuts roll paper at the position that is selected and ejects it if pressed after printing. Then feeds roll paper to the printing position automatically. With driver setting Not Cut Cuts roll paper with a margin and ejects it if pressed after printing. Then feeds roll paper to the printing position automatically.

See the online *Reference Guide* for details.

Replacing Ink Cartridges

You can replace an ink cartridge by using the Status Monitor utility installed on your computer, or by using the printer's control panel. To replace an ink cartridge or check ink levels using the Status Monitor utility, refer to "Using the Status Monitor" in the online *Reference Guide*. To replace an empty ink cartridge using the printer's control panel, follow the steps in this section.

Note:

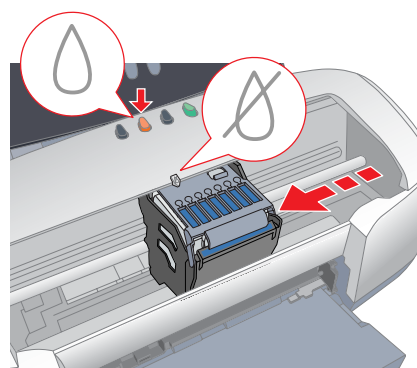
- You cannot continue printing with one ink cartridge empty, even if the other cartridge still contains ink. Before printing, replace the empty cartridge.*
- In addition to the ink used during document printing, ink is consumed during the print head cleaning operation, during the self-cleaning cycle which is performed when the printer is turned on, and during ink charging when the ink cartridge is installed in the printer.*

1. Make sure that the printer is on, but not printing. Press the ink button. The print head moves to the ink check position.
2. Open the printer cover. Make sure that the ink cartridge that needs to be replaced is indicated by the mark.

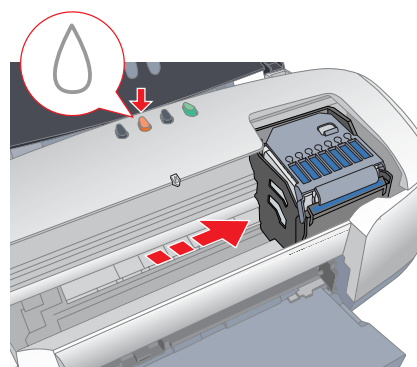


Caution:

- Do not move the print head by hand, as this may damage the printer. Always press the ink button to move it.*
- Whenever an ink cartridge is removed, be sure to protect the ink supply area from dirt and dust. Do not touch the ink supply port or its surrounding area.*



3. Then, press the ink button again. The print head moves to the ink cartridge replacement position.



4. Install the new ink cartridges as explained on the *Setup* in the "Install the ink cartridges" section.

For details and how to replace an ink cartridge before it is empty, refer to the online *Reference Guide*.

Note:

Dispose of the used cartridge properly. Do not take it apart or try to refill it.

Error Indicators

You can identify many common problems using the lights on the printer's control panel. Use the following table of light patterns to diagnose the problem, then follow the recommended corrective measures.

Lights	Problem and Solution	
	Paper out	No paper is loaded in the printer.
	Check EPSON Status Monitor 3* or EPSON StatusMonitor*. Load paper in the sheet feeder, then press the paper button. The printer resumes printing and the light goes out.	
	Paper jam	Paper has jammed in the printer.
	Check EPSON Status Monitor 3* or EPSON StatusMonitor*. Press the paper button to eject the jammed paper. If the error does not clear, open the printer cover and remove all of the paper inside, including any torn pieces. Then reload the paper in the sheet feeder and press the paper button to resume printing.	
	Automatic Roll Paper Cutter error	The roll paper cannot be cut with the cutter.
	Remove the roll paper from the printer.	
	Ink low	The ink cartridge is nearly empty.
	Obtain a replacement ink cartridge. To determine which cartridge is nearly empty, check the ink level using EPSON Status Monitor 3* or EPSON StatusMonitor*.	
	Ink out	The ink cartridge is empty or is not installed.
	Replace the ink cartridge with a new one. To determine which cartridge is empty, check the ink level using EPSON Status Monitor 3* or EPSON StatusMonitor*. If the ink end error occurs after the print head moves to its home position, the ink cartridge may not be installed properly. Reinstall the ink cartridge until it clicks into place.	
	Wrong cartridge	The currently installed ink cartridge is not compatible with the printer.
	Use the appropriate ink cartridge.	
	Incorrectly installed ink cartridge	The ink cartridge is not installed correctly.
	If the print head is at the home position, press the ink button to move the print head to the ink cartridge replacement position. Remove and reinsert the ink cartridge. Then continue with ink cartridge installation. If the print head is at the ink cartridge replacement position, remove and reinsert the ink cartridge. Then continue with ink cartridge installation.	
	Carriage error	The print head carriage is obstructed by jammed paper or other foreign material and cannot return to the home position.
	Turn off the printer. Open the printer cover and remove any paper from the paper path by hand. Then, turn the printer back on. If the error does not clear, contact your dealer.	
	Unknown printer error	An unknown printer error has occurred.
	Turn off the printer and contact your dealer.	

= on, = off, = flashing

* EPSON Status Monitor 3 is for Windows; EPSON StatusMonitor is for Macintosh.

Safety Instructions

Read all of the instructions in this section when setting up and using your printer.

When choosing a place for the printer

- Avoid places subject to rapid changes in temperature and humidity. Also, keep the printer away from direct sunlight, strong light, or heat sources.
- Avoid places subject to dust, shocks, and vibrations.
- Leave enough room around the printer to allow for sufficient ventilation.
- Place the printer near a wall outlet where the plug can be easily unplugged.
- Place the printer on a flat, stable surface that extends beyond the printer base in all directions. If you place the printer by the wall, leave more than 10 cm between the back of the printer and the wall. The printer will not operate properly if it is tilted at an angle.
- When storing or transporting the printer, don't tilt it, stand it on its side or turn it upside down. Otherwise ink may leak from the cartridge.

When choosing a power source

- Use only the type of power source indicated on the printer's label.
- Do not use a damaged or frayed power cord.
- If you use an extension cord with the printer, make sure that the total ampere rating of the devices plugged into the extension cord does not exceed the cord's ampere rating. Also, make sure that the total ampere rating of all devices plugged into the wall outlet does not exceed the wall outlet's ampere rating.
- If you plan to use the printer in Germany, the building installation must be protected by a 10 or 16 amp circuit breaker to provide adequate short-circuit protection and over-current protection for this printer.
- Be sure AC power cord meets the relevant local safety standards.

When handling ink cartridges

- Do not open the ink cartridge packages until just before you install them.
- Do not shake the used ink cartridges; this can cause leakage.
- Keep ink cartridges out of the reach of children. Do not allow children to drink from or otherwise handle the cartridges.
- Be careful when you handle used ink cartridges, as there may be some ink remaining around the ink supply port. If ink gets on your skin, wash the area thoroughly with soap and water. If ink gets into your eyes, flush them immediately with water. If discomfort or vision problems remain after a thorough flushing, see a doctor immediately.
- Do not touch or remove the green IC chip that is located on the side of the cartridge.
- Do not remove or tear the label on the cartridge; this can cause leakage.

When using the printer

- Do not put your hand inside the printer or touch the ink cartridges during printing.
- Do not block or cover the openings in the printer's cabinet.
- Do not attempt to service the printer yourself.
- Unplug the printer and refer servicing to qualified service personnel under the following conditions:
The power cord or plug is damaged; liquid has entered the printer; the printer has been dropped or the cabinet damaged; the printer does not operate normally or exhibits a distinct change in performance.
- Do not insert objects through the slots in the printer's cabinet.
- Take care not to spill liquid on the printer.
- Leave the ink cartridges installed. Removing the cartridges can dehydrate the print head and may prevent the printer from printing.

When using Automatic Roll Paper Cutter

- Do not attach or remove this product while the power to the printer's main unit is on.
- Keep the cutter out of the reach of children.
- Do not touch the paper ejection part and cutter blade.
- Do not place the cutter on an unstable surface (such as on an unstable table or a tilted surface).
- Do not disassemble or modify the cutter.

Information for United Kingdom Users

Use of options

EPSON (UK) Limited shall not be liable against any damages or problems arising from the use of any options or consumable products other than those designated as Original EPSON Products or EPSON Approved Products by EPSON (UK) Limited.

Safety information



Warning:
Refer to the rating plate for the voltage and check that the appliance voltage corresponds to the supply voltage.

Important: *The wires in the mains lead fitted to this appliance are coloured in accordance with the following code:
Blue — Neutral
Brown — Live*

If you have to fit a plug:

As the colours of the mains lead of this appliance may not match the coloured markings used to identify the terminals in a plug, please observe the following:

- The blue wire must be connected to the terminal in the plug marked with the letter N.
- The brown wire must be connected to the terminal in the plug marked with the letter L.
- If the plug is damaged, replace the cord set or consult a qualified electrician.
- Replace fuses only with fuses of the correct size and rating.

All rights reserved. No part of this publication may be reproduced, stored in a retrieval system, or transmitted in any form or by any means, electronic, mechanical, photocopying, recording, or otherwise, without the prior written permission of SEIKO EPSON CORPORATION. The information contained herein is designed only for use with this EPSON printer. EPSON is not responsible for any use of this information as applied to other printers.

Neither SEIKO EPSON CORPORATION nor its affiliates shall be liable to the purchaser of this product or third parties for damages, losses, costs, or expenses incurred by the purchaser or third parties as a result of accident, misuse, or abuse of this product or unauthorized modifications, repairs, or alterations to this product, or (excluding the U.S.) failure to strictly comply with SEIKO EPSON CORPORATION's operating and maintenance instructions.

SEIKO EPSON CORPORATION shall not be liable for any damages or problems arising from the use of any options or any consumable products other than those designated as Original EPSON Products or EPSON Approved Products by SEIKO EPSON CORPORATION.

SEIKO EPSON CORPORATION shall not be held liable for any damage resulting from electromagnetic interference that occurs from the use of any interface cables other than those designated as EPSON Approved Products by SEIKO EPSON CORPORATION.

EPSON is a registered trademark and EPSON Stylus is a trademark of SEIKO EPSON CORPORATION. PRINT Image Matching Version 2.0. Copyright 2002 SEIKO EPSON CORPORATION. All rights reserved. PRINT Image Matching is a trademark of SEIKO EPSON CORPORATION. The PRINT Image Matching logo is a trademark of SEIKO EPSON CORPORATION.

PRINT Image Matching is a term for the print command that is embedded in header file of the image created by digital camera. It contains color setting and image parameter information.

Part of the photo data stored on the Printer Software CD-ROM is licensed from Design Exchange Co., Ltd. Copyright © 2000 Design Exchange Co., Ltd. All rights reserved

Microsoft and Windows are registered trademarks of Microsoft Corporation.

General Notice: Other product names used herein are for identification purposes only and may be trademarks of their respective owners. EPSON disclaims any and all rights in those marks.