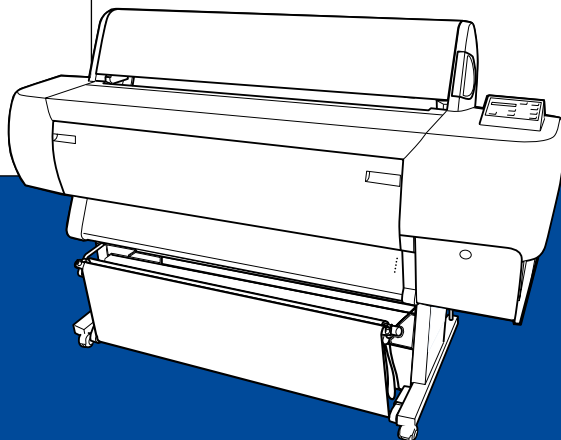


EPSON

Color Ink Jet Printer



EPSON STYLUS™ PRO 10000/10000CF

Startup Guide

4013587-00
C01

All rights reserved. No part of this publication may be reproduced, stored in a retrieval system, or transmitted in any form or by any means, electronic, mechanical, photocopying, recording, or otherwise, without the prior written permission of SEIKO EPSON CORPORATION. The information contained herein is designed only for use with this EPSON printer. EPSON is not responsible for any use of this information as applied to other printers.

Neither SEIKO EPSON CORPORATION nor its affiliates shall be liable to the purchaser of this product or third parties for damages, losses, costs, or expenses incurred by the purchaser or third parties as a result of: accident, misuse, or abuse of this product or unauthorized modifications, repairs, or alterations to this product, or (excluding the U.S.) failure to strictly comply with SEIKO EPSON CORPORATION's operating and maintenance instructions.

SEIKO EPSON CORPORATION shall not be liable for any damages or problems arising from the use of any options or any consumable products other than those designated as Original EPSON Products or EPSON Approved Products by SEIKO EPSON CORPORATION.

SEIKO EPSON CORPORATION shall not be held liable for any damage resulting from electromagnetic interference that occurs from the use of any interface cables other than those designated as EPSON Approved Products by SEIKO EPSON CORPORATION.

EPSON is a registered trademark and ESC/P Raster and EPSON STYLUS are trademarks of SEIKO EPSON CORPORATION.

Microsoft and Windows are registered trademarks of Microsoft Corporation.

General Notice: Other product names used herein are for identification purposes only and may be trademarks of their respective owners. EPSON disclaims any and all rights in those marks.

Copyright © 2001 by SEIKO EPSON CORPORATION, Nagano, Japan.

Where to Find Information

This Startup Guide

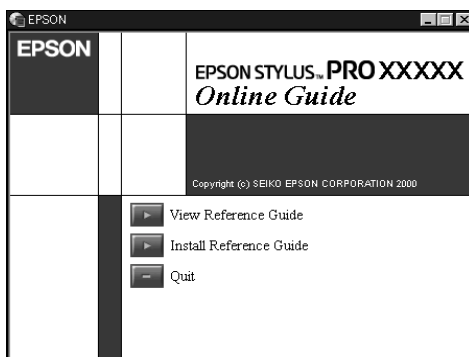
Provides you with the basic information you need to start using your EPSON STYLUS PRO 10000/10000CF and its optional and consumable products.

Reference Guide included on the CD-ROM

Provides you with detailed information about printing on roll paper or cut sheet media, the control panel, the printer software, and tips that will help you get the results you want.

Opening the Reference Guide

Insert the printer software CD in the CD-ROM drive. Double-click EPSON STYLUS PRO 10000 or EPSON STYLUS PRO 10000CF. Double-click Online Guide in the Installer dialog box (Windows) or double-click the Online Guide folder in the EPSON STYLUS PRO 10000 or EPSON STYLUS PRO 10000CF window, then EPSON STYLUS PRO 10000 or EPSON STYLUS PRO 10000CF in the Online Guide folder (Macintosh). The dialog box shown below appears.



Click View Reference Guide to open the guide.

To install the Reference Guide on your hard disk, click Install Reference Guide and follow the on-screen instructions. When installation is complete, the ESPR10000/10000CF (Windows) or a View Reference Guide (Macintosh) icon appears in the EPSON folder. Double-click the icon to open the guide.

Note:

If your hard disk does not have enough space to install the Reference Guide, view it directly from the CD.

Online Help

Provides you with detailed information and instructions on the printer software that controls your printer. (Online help will be automatically installed when you install the printer software.) See your *Online Guide* for information on accessing online help.

System Requirements

To use your printer with a PC

To use your printer, you need Microsoft® Windows® Millennium Edition, 98, 95, 2000, and NT® 4.0; and a shielded, twisted-pair parallel cable. If you want to connect your printer to a USB port, you need a Windows Me, 98, or 2000 pre-installed PC equipped with a USB port; and a shielded USB cable.

Minimum system	Recommended system
Pentium for Windows 98, 95, and NT 4.0 Pentium 133 MHz for Windows 2000 Pentium 150 MHz for Windows Me	Pentium II 400 MHz or higher processor
32 MB RAM for Windows Me, 98, 95, NT 4.0 64 MB RAM for Windows 2000	128 MB RAM or more
100 MB hard disk space for Windows Me, 98, 95, 2000, and NT 4.0	500 MB* ¹ /300 MB* ² or more free disk space (B0)
VGA monitor	VGA or better monitor

*1 is for graphic data use

*2 is for line data use

Your computer dealer can help you update your system if it does not meet these requirements.

To use your printer with a Macintosh

To use this printer, your Apple® Macintosh® must meet the following system requirements. You also need a USB cable to connect this printer to Apple Macintosh computers.

Minimum system	Recommended system
PowerPC	PowerPC G4 400 MHz or higher processor
System 7.6.1	Mac OS 8.1 or later
11 MB of available memory 14 MB of available memory when background printing is turned on.	33 MB or more of available memory 56 MB of available memory when background printing is turned on.
-	500 MB* ¹ /300 MB* ² or more free disk space (B0)

*1 is for graphic data use

*2 is for line data use

Note:

- ❑ *The amount of available memory varies according to the number and kind of applications that are open. To see how much memory is available, choose About This Macintosh from the Apple menu and refer to the memory size (listed in kilobytes) under “Largest Unused Block” (1,024 K = 1 MB).*
- ❑ *The memory requirements above are for printing on B0 (1030 × 1456 mm) size paper. These requirements may vary depending on the size of the paper, the type of application you are using, and the complexity of the document you want to print.*
- ❑ *The available interface varies according to Macintosh system version as follows.
Network interface: 7.6.1 to 9.x
USB interface: 8.1 to 9.x
IEEE 1394 interface: 8.6.x to 9.x*

In addition to these system and memory requirements, you also need 15 MB of free hard disk space to install your printer software.

To use the Online Guide with a PC

System	Microsoft Windows 98, 95, 2000, or NT 4.0
CPU	i486/25 MHz (for Windows 95/NT 4.0) i486/66 MHz (for Windows 98) (Pentium or better recommended) (Pentium 133 MHz (for Windows 2000))
Memory	16 MB (32 MB or more recommended)
Hard disk space	2 MB free to install the Reference Guide
CD-ROM drive	Double-speed (Quad-speed or better recommended)
Display	640 × 480 pixel or 800 × 600 pixel resolution, with High Color (16 bit) or True Color (32 bit) setting
Browser	Web browser (Microsoft Internet Explorer 4.0 or later recommended)

To use the Online Guide with a Macintosh

System	System 7.5.1 or later recommended (System 7.6 or later recommended)
Memory	16 MB (32 MB or more recommended)
Hard disk space	2 MB free to install the Reference Guide
CD-ROM drive	Double-speed (Quad-speed or better recommended)
Display	Color monitor with 640 × 480 pixel resolution or greater (Thousands of colors recommended)
Browser	Web browser Microsoft Internet Explorer 4.0 or later recommended)

Contents

Safety Instructions

Important Safety Instructions	1
A Few Precautions.	2
For United Kingdom Users	8
Use of options	8
Safety information	9
Warnings, Cautions, and Notes.	10

Taking a Look at Your Printer

Front view	10
Rear view	11

Chapter 1 Installing the Ink Cartridges and Loading Paper

Installing the ink cartridges	1-2
Loading Paper	1-5
Loading roll paper	1-5
Loading cut sheet media	1-10
Loading cut sheet media longer than 279 mm (long edge of letter size)	1-11
Loading cut sheet with a length of A4/Letter, A3/US B, and Super A3/B.	1-13

Chapter 2 Setting up the Printer with Your PC

Connecting the Printer to Your PC	2-2
Using the built-in parallel interface	2-2
Using a USB connection (For Windows Me, 98, and 2000)	2-3
Installing the Printer Software on Your PC	2-4
Printer software components.	2-5
Installing on Windows Me, 98, 95, 2000, and NT 4.0	2-6
Setting Up Your Printer on a Network	2-9
For Windows Me, 98, and 95	2-10
For Windows 2000 and NT 4.0	2-13

Chapter 3 Setting up the Printer with Your Macintosh

Connecting the Printer to Your Macintosh.	3-2
Using the built-in USB interface	3-2
Installing the Printer Software on Macintosh.	3-3
Printer software components.	3-4
Installing on Macintosh	3-5
Using the Chooser to select your printer.	3-6
Setting up Your Printer on a Network.	3-7

Chapter 4 Printing and Printer Management

Printing From Your PC	4-2
Making the printer driver settings	4-2
Cancelling printing from your PC	4-7
Printing From Your Macintosh	4-8
Making the printer driver settings	4-8
Cancelling printing from your Macintosh.	4-11

Chapter 5 Checking the Printer's Condition

Using Printer Utilities	5-2
Accessing the printer utilities	5-2
Printing the Nozzle Check Pattern	5-3
Cleaning the Print Heads	5-4
Aligning the Print Heads	5-6

Chapter 6 Using an Optional Interface Card

Available Optional Interface Cards	6-2
Installing the Optional Interface Card	6-2

Safety Instructions

Important Safety Instructions

Read all of these instructions before using your printer. Also be sure to follow all warnings and instructions marked on the printer.

- ❑ Do not block or cover the openings in the printer's cabinet.
- ❑ Do not insert objects through the slots. Take care not to spill liquid on the printer.
- ❑ Use only the type of power source indicated on the printer's label.
- ❑ Connect all equipment to properly grounded power outlets. Avoid using outlets on the same circuit as photocopiers or air control systems that regularly switch on and off.
- ❑ Avoid electrical outlets controlled by wall switches or automatic timers.
- ❑ Keep the entire computer system away from potential sources of electromagnetic interference, such as loudspeakers or the base units of cordless telephones.
- ❑ Do not use a damaged or frayed power cord.
- ❑ If you use an extension cord with the printer, make sure the total ampere rating of the devices plugged into the extension cord does not exceed the cord's ampere rating. Also, make sure the total ampere rating of all devices plugged into the wall outlet does not exceed the wall outlet's ampere rating.

- ❑ Do not attempt to service the printer yourself.
- ❑ Unplug the printer and refer servicing to qualified service personnel under the following conditions:

The power cord or plug is damaged; liquid has entered the printer; the printer has been dropped or the cabinet damaged; the printer does not operate normally or exhibits a distinct change in performance.

- ❑ The interface connectors (including Type B interface card) and the connector for optional Auto Take-up Reel Unit are Non-LPS (non-limited power source).
- ❑ If you plan to use the printer in Germany, observe the following:

To provide adequate short-circuit protection and over-current protection for this printer, the building installation must be protected by a 10 or 16 amp circuit breaker.

Bei Anschluss des Druckers an die Stromversorgung muss sichergestellt werden, dass die Gebäudeinstallation mit einer 10 A-oder 16 A-Sicherung abgesichert ist.

A Few Precautions

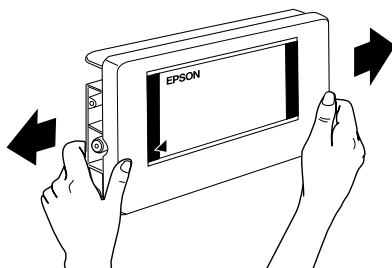
When using the printer

- ❑ Do not put your hand inside the printer or touch the ink cartridges during printing.
- ❑ Do not move the print heads by hand; otherwise you may damage the printer.

- ❑ Always turn the printer off using the Power button on the control panel. When this button is pressed, the Operate light flashes briefly then goes off. Do not unplug the printer or turn off the power to the outlet until the Operate light stops flashing.
- ❑ Before transporting the printer, make sure the print heads are in the home (far right) position.

When handling the ink cartridges

- ❑ Keep ink cartridges out of the reach of children and do not drink.
- ❑ If ink gets on your skin, wash it off with soap and water. If it gets in your eyes, flush them immediately with water.
- ❑ If you use ColorFast type ink cartridges, shake the ink cartridge gently before installing it for best results.



Caution

Do not shake cartridges that have been installed previously.

- ❑ If you use dye type ink cartridges, do not use an ink cartridge beyond the date printed on the cartridge carton.
- ❑ If you use ColorFast type ink cartridges, use up the ink cartridge within six months of installation for best results.

- ❑ Do not dismantle the ink cartridges or try to refill them. This could damage the print heads.
- ❑ Store ink cartridges in a cool, dark place.
- ❑ After bringing an ink cartridge inside from a cold storage site, allow it to warm up at room temperature for at least three hours before using it.
- ❑ Do not touch the green IC chip on the side of the cartridge. This may affect normal operation and printing.
- ❑ In this ink cartridge, the IC chip retains a variety of cartridge related-information, such as the amount of ink remaining, so that a cartridge may be removed and reinserted freely. However, each time the cartridge is inserted, some ink is consumed because the printer automatically performs a reliability check.
- ❑ If you remove an ink cartridge for later use, protect the ink supply area from dirt and dust, and store it in the same environment as the printer. Note that there is a valve in the ink supply port, making covers or plugs unnecessary, but care is needed to prevent the ink from staining items that the cartridge touches. Do not touch the ink cartridge ink supply port or surrounding area.

When choosing a place for the printer

- ❑ Place the printer on a flat, stable surface that is larger than the printer. The printer will not operate properly if it is tilted or at an angle.
- ❑ Avoid places subject to rapid changes in temperature and humidity. Also keep it away from direct sunlight, strong light, or heat sources.
- ❑ Avoid places subject to shocks and vibrations.

- ❑ Keep the printer away from the dusty areas.
- ❑ Place the printer near a wall outlet where the plug can be easily unplugged.

Note for French-speaking users:

Placez l'imprimante près d'une prise de contact où la fiche peut être débranchée facilement.



ENERGY STAR® Compliance

As an ENERGY STAR® Partner, EPSON has determined that these products meet the ENERGY STAR® guidelines for energy efficiency.

The International ENERGY STAR® Office Equipment Program is a voluntary partnership with the computer and office equipment industry to promote the introduction of energy-efficient personal computers, monitors, printers, fax machines, copiers, and scanners in an effort to reduce air pollution caused by power generation.

Laser safety

This printer is certified as a Class 1 laser product under the U.S. Department of Health and Human Services (DHHS) Radiation Performance Standard according to the Radiation Control for Health and Safety Act of 1968. This means that the printer does not produce hazardous laser radiation.

Since radiation emitted by the laser is completely confined within protective housings and external covers, the laser beam cannot escape from the machine during any phase of user operation.

The EPSON STYLUS PRO 10000/10000CF is a large format printer which utilizes a semiconductor laser.

There is no possibility of danger from the laser, provided that the printer is operated according to the instructions in the guides provided.

Since radiation emitted by the laser is completely confined within protective housings and external covers, the laser beam cannot escape from the machine during any phase of user operation.



Warning:

The use of controls, or the performance of procedures and adjustments other than those specified in this guide may result in hazardous radiation exposure.

This is a semiconductor laser. The maximum power of the laser diode is 7 mW and the wavelength is 640 to 670 nm.

CDRH regulations

The Center for Devices and Radiological Health (CDRH) of the U.S. Food and Drug Administration implemented regulations for laser products on August 2, 1976. Compliance is mandatory for products marketed in the United States. The label shown below indicates compliance with the CDRH regulations and must be attached to laser products marketed in the United States.

This laser product conforms to the applicable requirement of 21 CFR Chapter I, subchapter J.

SEIKO EPSON CORP.
Hirooka Office
80 Hirooka, Shiojiri-shi, Nagano-ken,
Japan

MANUFACTURED:

Laser safety labels

Your printer is a Class 1 laser product as defined in the IEC 60825 specifications. The label shown below is attached in countries where required.



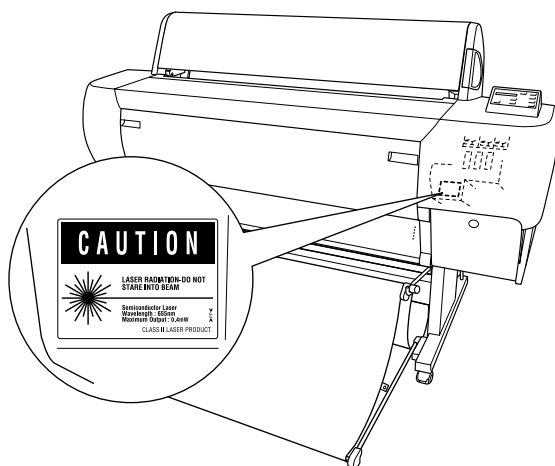
Internal laser radiation

Maximum Radiation Power: 120 μ W at laser aperture of the Auto Print Head Optimization System Unit

Wavelength: 640 to 670 nm

This product employs a Class IIIb Laser Diode that emits an visible laser beam. The Laser Diode is incorporated in the Auto Print Head Optimization System Unit. The unit is NOT A FIELD SERVICE ITEM and should not be opened under any circumstances.

An additional laser warning label is affixed to the inside of the printer, as shown below.



For United Kingdom Users

Use of options

EPSON (UK) Limited shall not be liable against any damages or problems arising from the use of any options or consumable products other than those designated as Original EPSON Products or EPSON Approved Products by EPSON (UK) Limited.

Safety information



Warning:

This appliance must be earthed. Refer to rating plate for voltage and check that the appliance voltage corresponds to the supply voltage.

Important:

The wires in the mains lead fitted to this appliance are coloured in accordance with the following code:

Green and yellow — Earth

Blue — Neutral

Brown — Live

If you have to fit a plug:

As the colours of the mains lead of this appliance may not match coloured markings used to identify the terminals in a plug, please proceed as follows:

The green and yellow wire must be connected to the terminal in the plug which is marked with the letter E or the earth symbol (\perp).

The blue wire must be connected to the terminal in the plug marked with the letter N.

The brown wire must be connected to the terminal in the plug marked with the letter L.

If damage occurs to the plug, replace the cord set or consult a qualified electrician.

Replace fuses only with a fuse of the correct size and rating.

Warnings, Cautions, and Notes



Warnings must be followed carefully to avoid bodily injury.

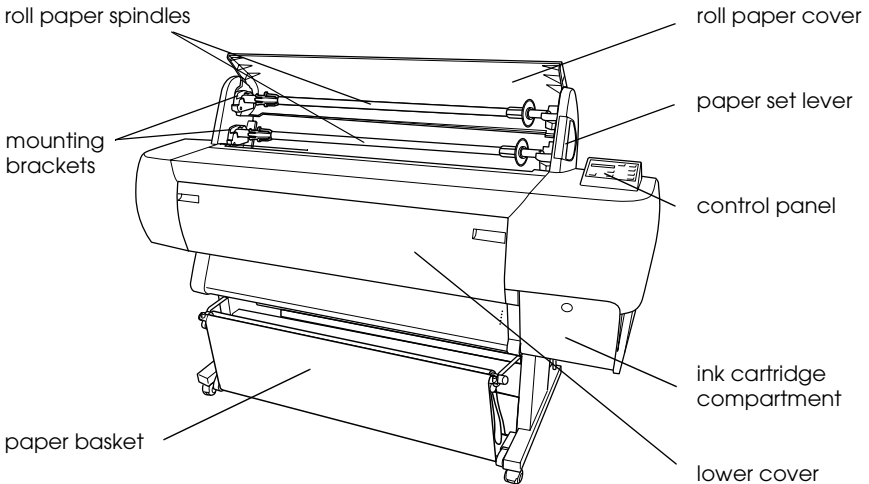


Cautions must be observed to avoid damage to your equipment.

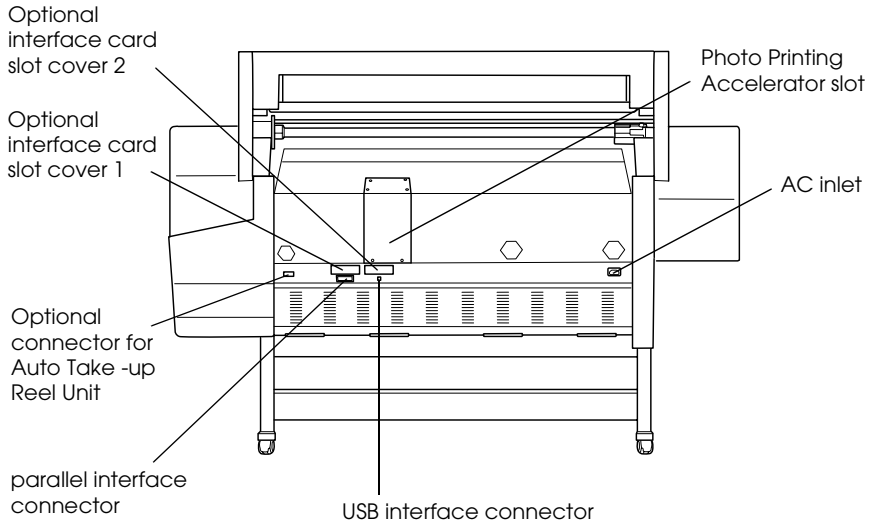
Notes contain important information and useful tips on the operation of your printer.

Taking a Look at Your Printer

Front view



Rear view



Installing the Ink Cartridges and Loading Paper

Installing the ink cartridges	1-2
Loading Paper	1-5
Loading roll paper	1-5
Loading cut sheet media	1-10
Loading cut sheet media longer than 279 mm (long edge of letter size)	1-11
Loading cut sheet with a length of A4/Letter, A3/US B, and Super A3/B	1-13

Installing the ink cartridges

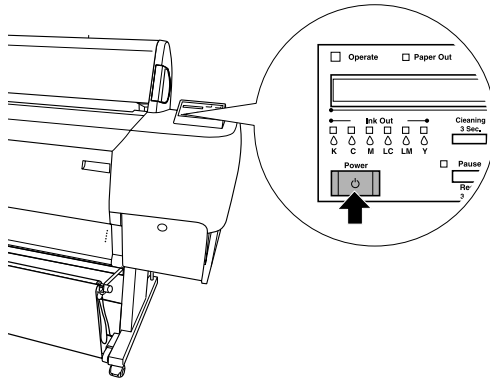
To install the ink cartridges, follow the instructions below.



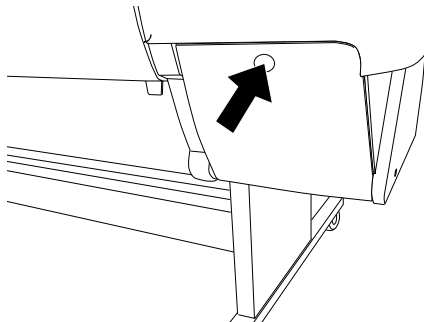
Warning:

The ink cartridges are self-contained units. Under ordinary use, ink will not leak from the cartridges. If ink does get on your hands, wash them thoroughly with soap and water. If ink gets into your eyes, flush them immediately with water.

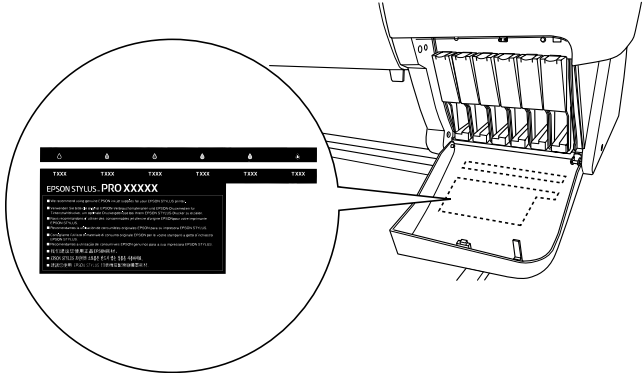
1. Turn on the printer by pressing the Power button. After a short time NO INK CARTRIDGE is displayed on the LCD panel.



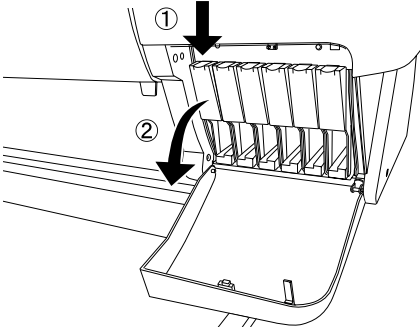
2. Push the ink compartment cover to open it.



- 3. Put the attached label on the back of the ink compartment cover.



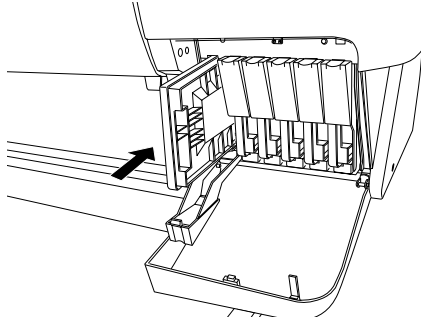
- 4. Push the top of the clamp, and pull it forward.



- 5. Remove the package from an ink cartridge.

Note:
If you use the ColorFast type ink cartridge, shake the cartridge gently before installing it.

6. Hold the ink cartridge with arrow mark on the left side and pointing to the rear of the printer, and insert it into the slot. Be sure to match the colors of the seal of compartment and the cartridge you are replacing.



7. Close the cartridge clamp backwards. Make sure the corresponding Ink Out light goes off. Repeat step 5 to 6 for the other five color ink cartridges.
8. Close the Ink compartment cover.

After installing all six ink cartridges, the printer begins charging the ink delivery system and the Pause light flashes (for about 4 minutes). When the ink delivery system is charged, the Pause light stops flashing.



Caution:

Never do the following while the Pause light is flashing; otherwise damage may occur:

- Turn off the printer*
- Open the lower cover*
- Open the ink compartment cover*
- Move the paper set lever to the released position*
- Unplug the power cord*

Loading Paper

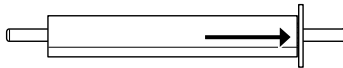
Loading roll paper

To load the roll paper onto the printer, follow the instructions below.

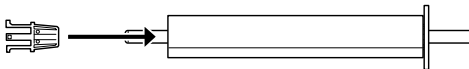
1. Slide the movable flange off the end of the spindle.



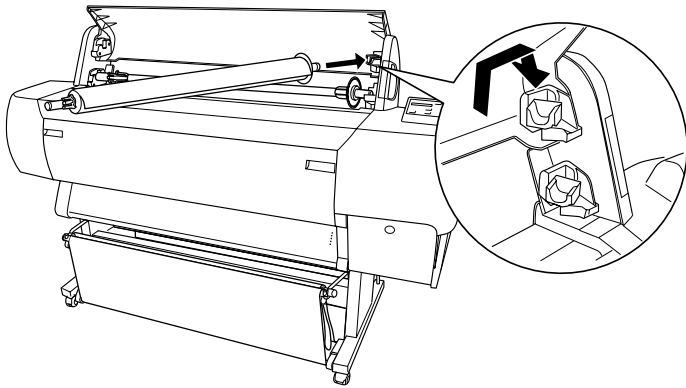
2. Place the roll paper on a flat surface so that it unwinds in the direction shown. Slide the roll paper onto the spindle and fully onto the fixed flange.



3. Slide the movable flange back onto the spindle until it fixes in place in the end of the roll paper.



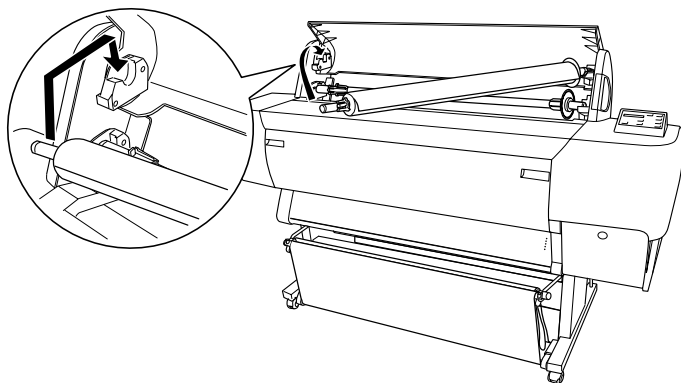
4. Open the roll paper cover. Holding the spindle, fit the right end of the spindle into the mounting bracket inside the printer.



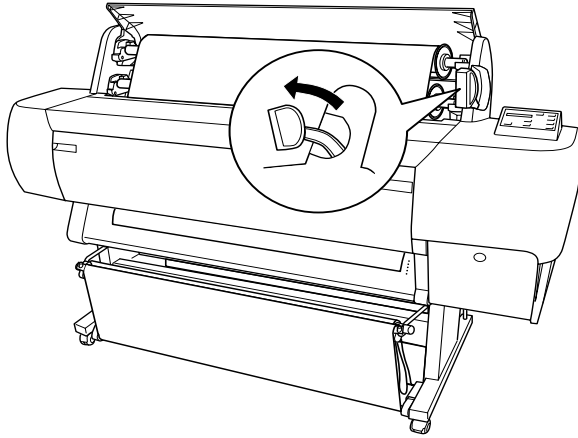
Note:

The spindle and mounting brackets are color-coded. Mount the spindle into the mounting bracket that is the same color as the end of the spindle.

5. Fit the left end of the spindle into the left mounting bracket inside the printer.

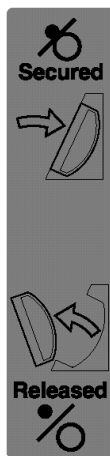


6. Make sure that the printer is turned on, then repeatedly press the Paper Source button until the Roll Auto Cut light comes on.
7. Set the paper set lever to the released position.

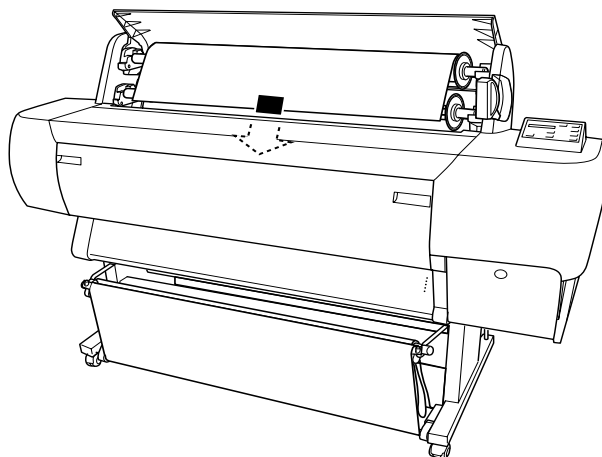


Note:

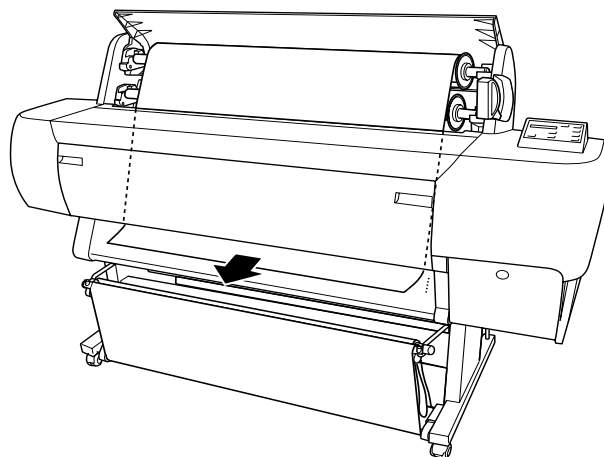
For the position names of the paper set lever, see the attached instruction seal on the lever shown below.



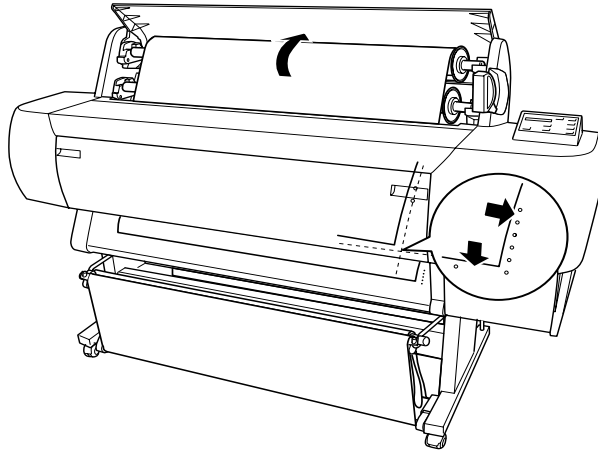
8. Insert the paper into the paper insertion slot.



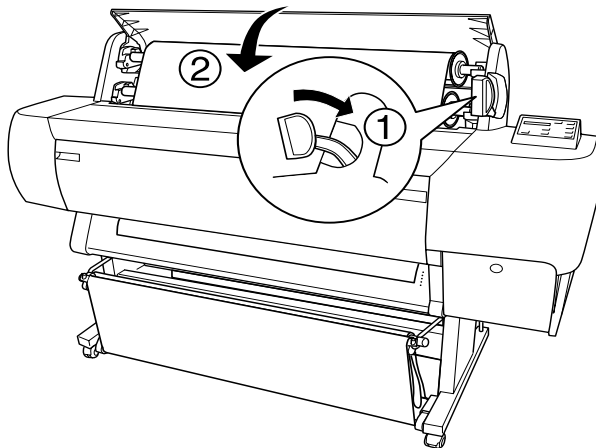
9. Pull the paper down through the paper insertion slot so that it comes out below.



10. Holding the bottom edge of the paper, turn the roll paper to remove slack. Make sure that the bottom edge of the paper is straight, and that it is aligned with the rows of holes in the metal plate below the lower cover.



11. Set the paper set lever to the secured position, and close the roll paper cover.



12. Press the Pause button. The print heads move and the paper automatically feeds into the printing position. **READY** appears on the LCD panel.

Note:

*Even if you do not press the **PAUSE** button, the print heads move and paper feeds into the printing position automatically. **READY** appears on the LCD panel.*

Now you are ready to print on roll paper. Make the printer driver settings, then send the print job. See “Printing From Your PC” on page 4-2 or “Printing From Your Macintosh” on page 4-8.

Note:

- Allow time for the ink to dry thoroughly after printing to ensure the printout quality.*
- If you do not use the paper set above, remove it from the printer. When you use roll paper, set the paper set lever to the released position, and wind it up. When you use cut sheets, remove the paper from the printer and store it separately.*

Loading cut sheet media

To load cut sheet media longer than 279 mm (long edge of letter size), see the next section. To load paper with a length of A4/letter, A3/US B, Super A3/B, see “Loading cut sheet with a length of A4/Letter, A3/US B, and Super A3/B” on page 1-13.

If you are printing on thick paper (0.5 to 1.6 mm), see your *Online Guide*.

Loading cut sheet media longer than 279 mm (long edge of letter size)

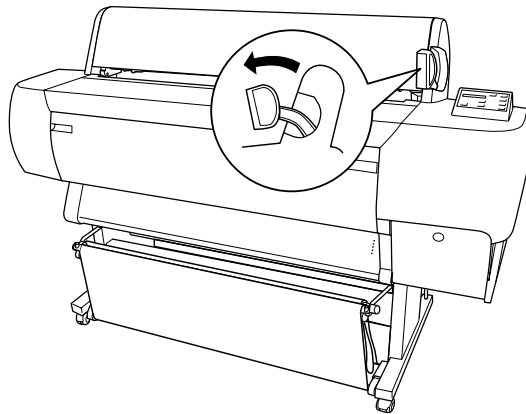
To load cut sheet media longer than 279 mm, follow the steps below.



Caution:

As much as possible, keep your fingers off the printable surface of the media, as fingerprints may reduce printout quality.

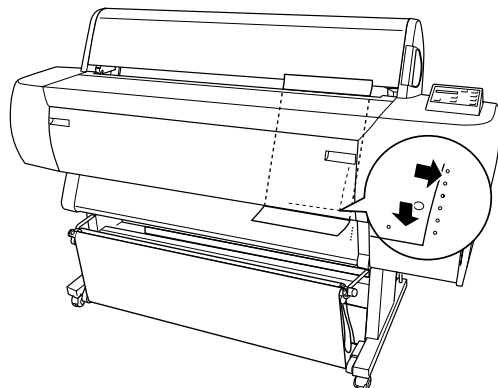
1. Make sure that the printer is on and the roll paper cover is closed.
2. Press the Paper Source button repeatedly until the Sheet light comes on.
3. Make sure the Operate light and Pause light is not flashing, then set the paper set lever to the released position. The Paper Out light turns on and **LOAD PAPER** appears on the LCD panel.



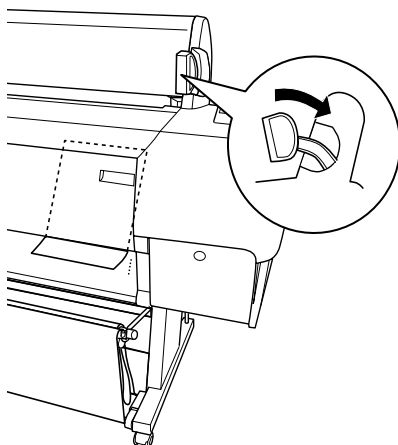
Caution:

Do not move the paper set lever while the Operate light or Pause light is flashing. Doing so may damage the printer.

4. Load the sheet into the paper insertion so that it comes out below. Make sure that the right and bottom edges of the paper are straight and in line with the rows of punch holes. Set the paper set lever to the released position. **PRESS PAUSE BUTTON** appears.



5. Set the paper set lever to the secured position. **PRESS PAUSE BUTTON** appears on the LCD panel.



6. Press the Pause button.

The print heads move and the sheet feeds automatically into the printing position. **READY** appears on the LCD panel.

Note:

*Even if you do not press the Pause button, the print heads move and paper feeds into the printing position automatically. **READY** appears on the LCD panel.*

Now you are ready to print on cut sheet media. Make the printer driver settings, then send the print job. See “Printing From Your PC” on page 4-2 or “Printing From Your Macintosh” on page 4-8.

Note:

Allow time for the ink to dry thoroughly after printing to ensure the printout quality.

Loading cut sheet with a length of A4/Letter, A3/US B, and Super A3/B

To load cut sheet media with a length of A4/Letter, A3/US B, and Super A3/B, follow the steps below.

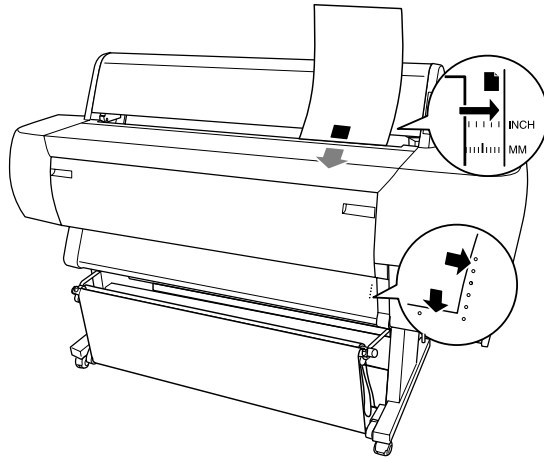


Caution:

As much as possible, keep your fingers off the printable surface of the media, as fingerprints may reduce printout quality.

1. Make sure that the printer is on and the roll paper cover is closed.
2. Press the Paper Source button repeatedly until the Sheet light comes on.

3. Make sure that the paper set lever is in the secured position. Then load the sheet into the paper insertion slot until it meets resistance. Make sure that the right edge of the paper is straight and in line with the right edge of the scale on the roll paper cover. **PRESS PAUSE BUTTON** appears on the LCD panel.



4. Press the **PAUSE** button. The print heads move and the sheet automatically feeds into the printing position. **READY** appears on the LCD panel.

Now you are ready to print on the cut sheet media. Make the printer driver settings, then send a print job. See “Printing From Your PC” on page 4-2 or “Printing From Your Macintosh” on page 4-8.

When printing is complete, the printer supports the printed media, and **PAPER OUT** is displayed on the LCD panel. To remove the paper, hold it while pressing the Paper Feed button. The paper can be removed from the printer.

Setting up the Printer with Your PC

Connecting the Printer to Your PC	2-2
Using the built-in parallel interface	2-2
Using a USB connection (For Windows Me, 98, and 2000)	2-3
Installing the Printer Software on Your PC	2-4
Printer software components	2-5
Installing on Windows Me, 98, 95, 2000, and NT 4.0	2-6
Setting Up Your Printer on a Network	2-9
For Windows Me, 98, and 95	2-10
For Windows 2000 and NT 4.0	2-13

Connecting the Printer to Your PC

The method you use to connect the printer to your PC depends on how you want to send print jobs. If you want to send them directly, use the printer's built-in parallel interface or the USB interface. If you want to send them over a network, use an optional interface card.

For information of using the USB interface, see "Using a USB connection (For Windows Me, 98, and 2000)" on page 2-3. For information on using optional interface cards, see Chapter 6, "Using an Optional Interface Card."

To connect the printer to a Macintosh, see Chapter 3, "Setting up the Printer with Your Macintosh."

Using the built-in parallel interface

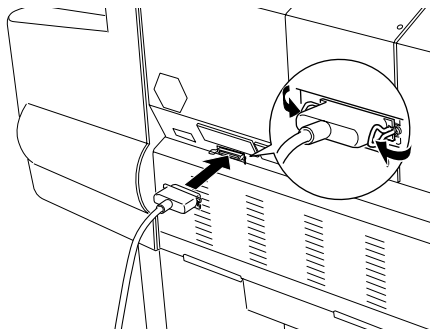
To use the printer's built-in parallel interface, you will need a shielded, twisted-pair cable. Then follow the steps below to connect the printer to your computer.

Note:

Before you connect the parallel interface cable, disconnect the USB cable from the printer, if installed.

1. Make sure both the printer and computer are turned off.
2. Plug the cable connector securely into the printer's interface. Then squeeze the wire clips together until they lock into place on both sides. If your cable has a ground wire, connect it to the ground connector below the interface connector.

3. Plug the other end of the cable into the computer's parallel port.



See “Installing the Printer Software on Your PC” on page 2-4 for instructions on installing the printer software. You must install the printer software before using your printer.

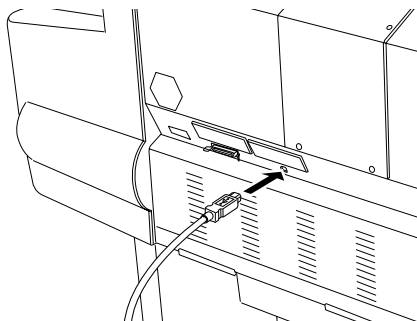
Using a USB connection (For Windows Me, 98, and 2000)

To connect the printer to a USB port, you need a standard shielded USB cable. Follow the steps below to connect the printer to your computer.

Note:

The EPSON Printer Port and DMA transfer features (For Windows 98 and 95 only) of the EPSON printer driver you install are not available with USB connections. They are available only with the parallel interface connection. For information on the EPSON Printer Port and DMA transfer, see your Reference Guide in the Online Guide.

1. Make sure both the printer and computer are turned off.
2. Plug the appropriate end of the cable into the USB port on the back of the printer. (The end that fits the printer has a different shape than the end that fits the computer.)



3. Connect the other end of the cable to the computer's USB port.

See the next section for instructions on installing the printer software. You must install the printer software before using your printer.

Installing the Printer Software on Your PC

After connecting the printer to your computer, you need to install the software included on the "Printer Software for EPSON Stylus PRO 10000/10000CF" CD-ROM shipped with your printer.

Printer software components

Your printer software includes the following items:

❑ **Printer driver and utilities**

The printer driver runs, or “drives,” your printer; use it to make settings such as print quality, speed, media type, and paper size. The Nozzle Check, Head Cleaning, and Print Head Alignment utilities help you keep your printer in top operating condition. EPSON Status Monitor 3 (for Windows) or EPSON StatusMonitor (for Macintosh) notifies you of printer errors and displays printer status information such as the amount of ink remaining.

❑ **Printer Status Page utility (for Windows 2000 only)**

The Printer Status Page utility (for Windows 2000 only) enables you to monitor the printer status and network settings over the Internet when using the Windows 2000 Internet Printing feature. To use this utility, you must obtain an optional network interface. See your network manual for more information.

❑ **Online guide**

The online *Reference Guide* helps you learn more about your printer.

If you are using the floppy disk version of the software, make a backup copy of the EPSON printer software disk before you begin installation. If you wish to make a floppy disk version of the printer software on your CD-ROM, you can use the driver disk creation utility included on the CD-ROM.

Installing on Windows Me, 98, 95, 2000, and NT 4.0

Follow these steps to install your printer software:

Note:

If you wish to make a floppy disk version of the printer software included on your CD-ROM, insert the printer software CD-ROM, then double-click Create Floppy based printer driver/utility disks and follow the on-screen instructions.

1. Make sure that your printer is off.
2. Turn on your computer and start Windows. If the New Hardware Found screen or any other Wizard appears, click Cancel.
3. Insert the printer software CD-ROM shipped with your printer in the CD-ROM drive. The Installer dialog box appears.
4. Choose your printer from the window, then click the right arrow.



5. Click Install Printer Driver/Utility, then the right arrow, and then OK in the dialog box that appears to start the printer software installation.



6. Windows 95 and NT users should proceed to step 6.

For Windows 98 users, follow the on-screen instructions to turn on your printer. The printer port configuration starts automatically.

For printers connected via USB cable, the USB device driver installation starts automatically at this point.

7. When a message appears informing you that installation is complete, click OK.

Note:

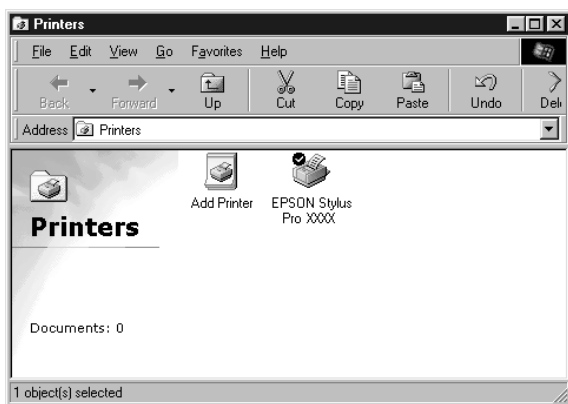
If an error message appears, either the printer driver or the EPSON USB printer device driver is not installed correctly. See "Troubleshooting" in the Online Guide.

For information on opening and using the printer software, see “Printing From Your PC” on page 4-2. See also “Printer Software” in your Online Guide. If you use your printer on a network, see “Setting Up Your Printer on a Network” on page 2-9.

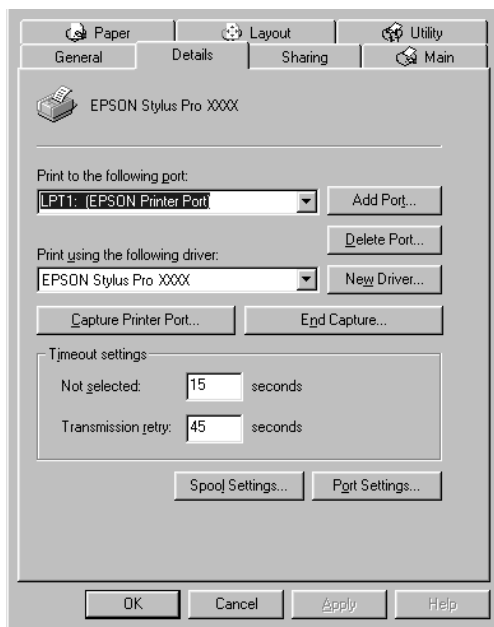
Ensuring that the USB driver is installed correctly in Windows (for Windows Me, 98, and 2000 only)

After the printer software installation is complete, confirm that the USB driver is installed correctly.

1. Click the Start button, point to Settings, and click Printers. Make sure that the icon for your printer appears in the Printers window.
2. Click the icon for your printer, then click Properties on the File menu.



- Click the Details tab and make sure that EPUSBx: (EPSON Stylus Pro 10000/10000CF) is displayed in the Print to the following port list box.



Note:

If the correct port is not displayed, refer to the “Troubleshooting” section of the Online Guide.

Setting Up Your Printer on a Network

For Windows Me, 98, and 95, see below. For Windows 2000 and NT 4.0, see “For Windows 2000 and NT 4.0” on page 2-13.

For Windows Me, 98, and 95

This section tells you how to set up your printer so that other computers on a network can use it.

First, you need to set up the printer as a shared printer on the computer to which the printer is connected. Then, you must signify the network path to the printer from each computer to use the printer, and install the printer software on those computers.

Note:

This section describes how to use your printer as a shared printer on a network. To connect your printer directly to a network without setting it up as a shared printer, consult your network administrator.

Setting up your printer as a shared printer

Follow these steps to share a printer connected directly to your computer with other computers on a network:

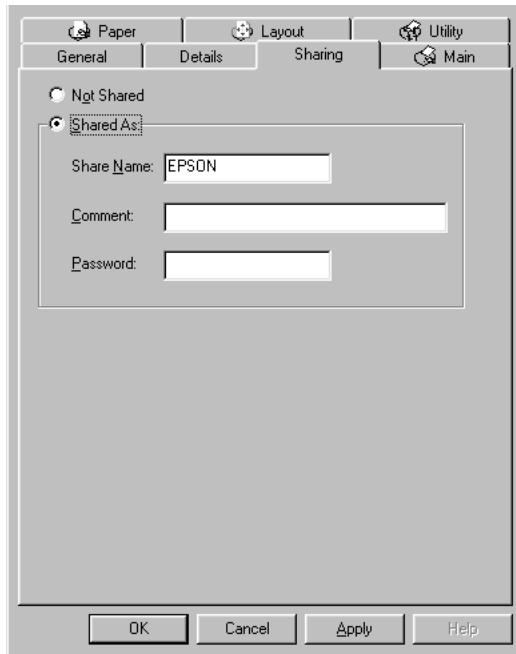
1. Click Start, point to Settings, then click Control Panel.
2. Double-click Network.
3. Click File and Print Sharing button.
4. Click the I want to be able to allow others to print to my printer(s) check box and click OK.



5. In the Network window, click OK.
6. In the Control Panel, double-click Printers.

Note:

- If a dialog box requesting the Windows Me, 98, or 95 CD-ROM appears, insert the CD-ROM in the CD-ROM drive, then follow the messages on the screen.*
 - If a dialog box appears requesting you to restart your computer, do so. Then open the Printer folder, and continue from step 7.*
7. Select your printer, and choose Sharing from the File menu.
 8. Click Shared As, enter the printer information as needed, then click OK.



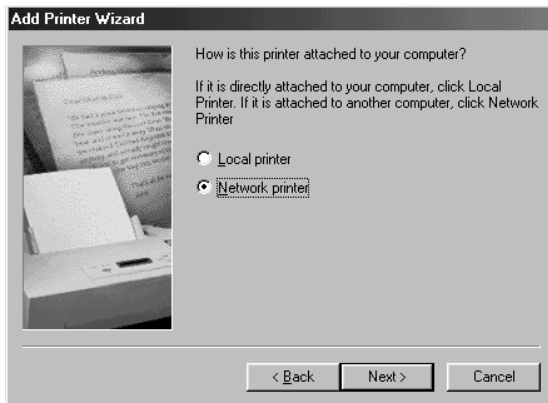
Accessing the printer through a network

To access your printer from another computer on a network, follow these steps.

Note:

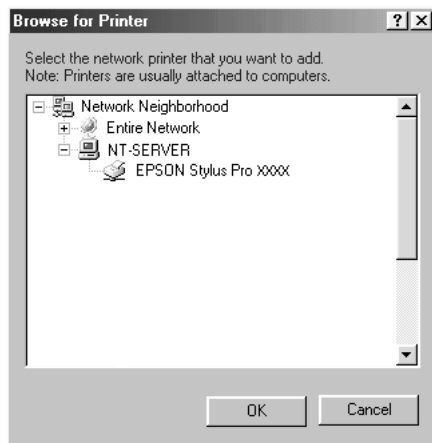
Your printer must be set up as a shared resource on the computer to which it is directly connected before you can access it from another computer. For instructions, see "Setting up your printer as a shared printer" on page 2-10.

1. On the computer you want to access the printer from, click Start, point to Settings, and click Printers.
2. Double-click the Add Printer icon.
3. The Add Printer Wizard screen appears. Click Next.
4. Click Network printer, then click Next.



5. Click Browse.

6. Double-click the icon of the computer that is directly connected to the printer. Then click the printer's icon.



7. Click OK and follow the messages on the screen.

For Windows 2000 and NT 4.0

Note:

This section is written for small network users only. If you are on a large network and would like to share your printer, consult your network administrator.

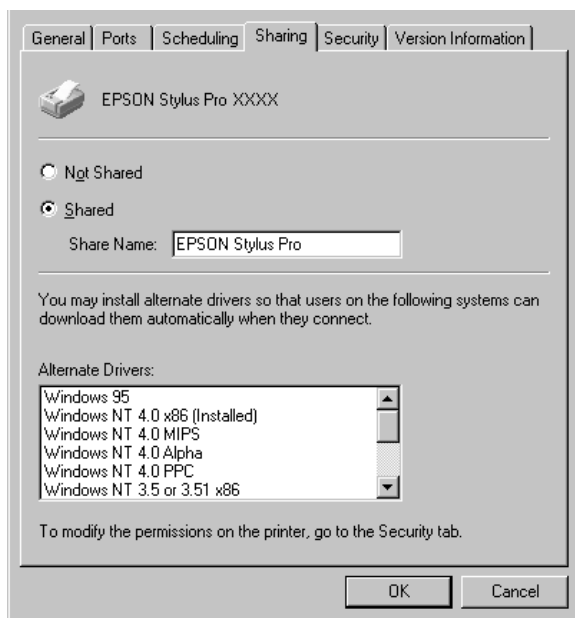
This section tells you how to set up your printer so that other computers on the network can use it.

First, you need to set up the printer as a shared printer on the computer to which the printer is connected. Then, you must signify the network path to the printer from each computer to use the printer, and install the printer software on those computers.

Setting up your printer as a shared printer

Follow these steps to share a printer that is connected directly to your computer with others on a network.

1. Click Start, point to Settings, and click Printers.
2. Select your printer, then click Sharing on the File menu.
3. Click the Shared radio button and enter the Share Name.



4. Click OK.

Note:

Do not choose any drivers from the Alternate Drivers list.

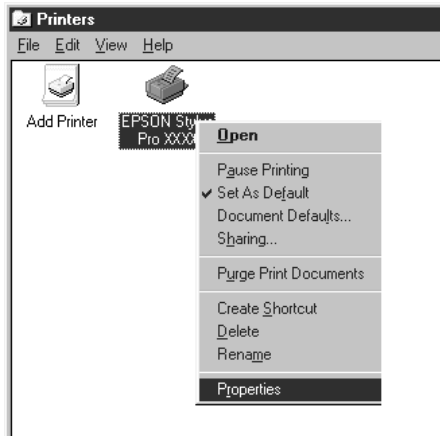
Accessing the printer through a network

To access your printer from another computer on a network, follow these steps.

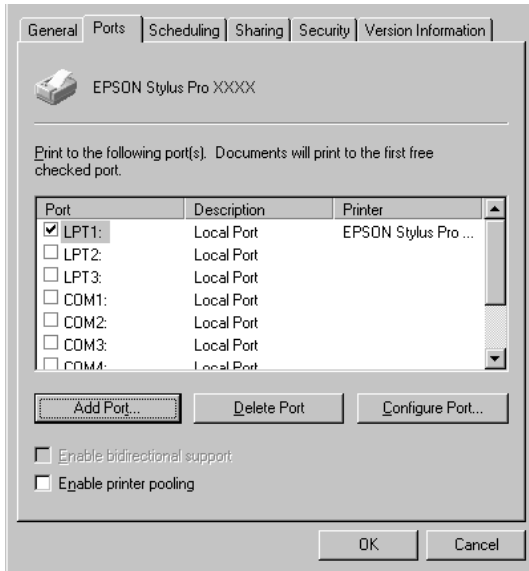
Note:

Your printer must be set up as a shared resource on the computer to which it is directly connected before you can access it from another computer. For instructions, see “Setting up your printer as a shared printer” on page 2-14.

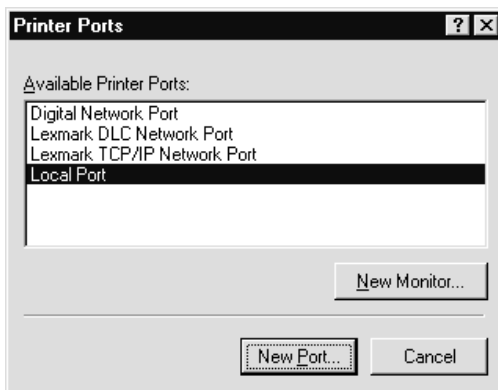
1. Install the printer driver to the client computer from the software CD-ROM.
2. Open the Printer folder from the Control Panel, right-click your printer’s icon, then open the Properties for your printer.



3. Click the Ports tab, then click Add Port.



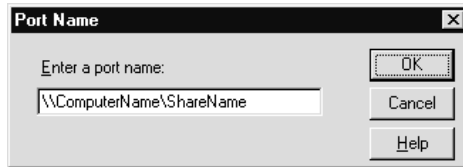
4. The following dialog appears. Select Local Port, then click New Port.



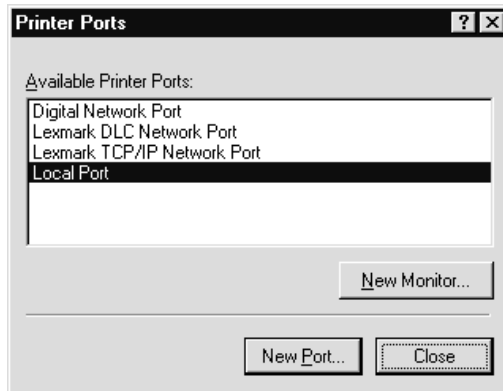
5. The following dialog appears. In the text box, type the following information:

\\name of computer that is connected to the printer\nname of the shared printer

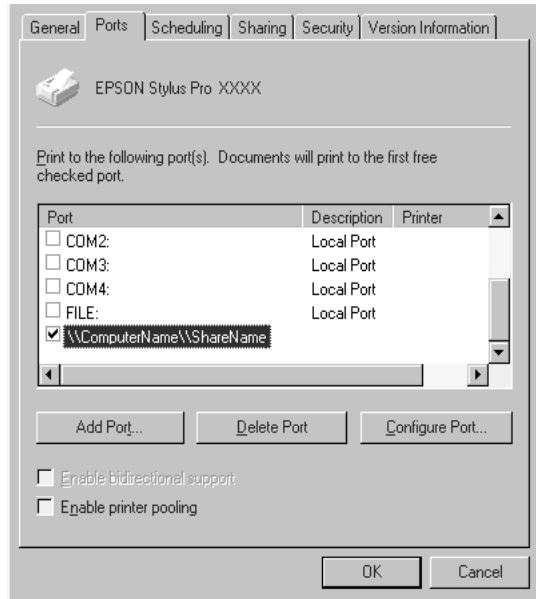
Then click OK.



6. In the Printer Ports dialog box, click Close to return to the Ports menu.



7. On the Ports menu, make sure that the new port is added and the check box is selected. Click OK to close the printer driver.



Setting up the Printer with Your Macintosh

Connecting the Printer to Your Macintosh	3-2
Using the built-in USB interface.	3-2
Installing the Printer Software on Macintosh	3-3
Printer software components	3-4
Installing on Macintosh	3-5
Using the Chooser to select your printer	3-6
Setting up Your Printer on a Network	3-7

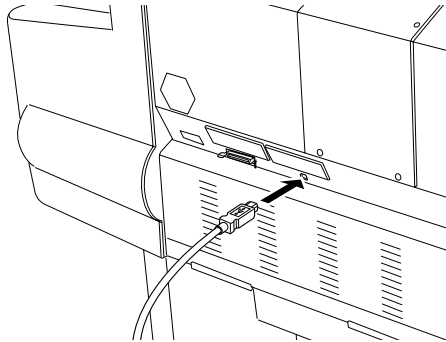
Connecting the Printer to Your Macintosh

The method you use to connect the printer to your Macintosh depends on whether you want to send print jobs directly to the printer using the printer's built-in USB interface, or send print jobs to the printer over a network using an optional interface card. For information on using an optional interface card, see Chapter 6, "Using an Optional Interface Card."

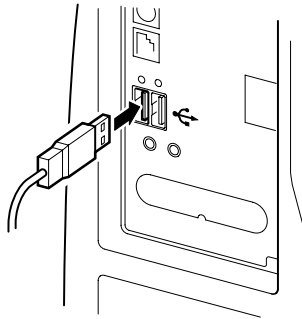
Using the built-in USB interface

To use the printer's built-in USB interface, you will need a USB interface cable. Then follow the steps below to connect the printer to your computer.

1. Make sure both the printer and computer are turned off.
2. Plug the cable connector securely into the printer's USB port.



3. Plug the other end of the cable into the computer's USB port on the back of the Macintosh.



Now see “Installing the Printer Software on Macintosh” on page 3-3. You must install the printer software before using your printer.

Installing the Printer Software on Macintosh

After connecting the printer to your Macintosh, you are ready to install the printer software included in the “Printer Software for EPSON Stylus PRO 10000/10000CF” CD-ROM shipped with your printer.

Printer software components

Your printer software includes the following items.

EPSON Printer Driver Package

- SPro 10000/10000CF
This is the printer driver software that runs your printer. With it, you can make settings such as Media Type, Print Quality, and Paper Size.
- EPSON Monitor3
Monitors and manages background printing jobs. You must turn on background printing in the Chooser to use this utility.
- EPSON StatusMonitor
Keeps track of the current status of your printer, and alerts you when printer errors occur.
- Nozzle Check
Checks for clogged nozzles.
- Head Cleaning
Cleans the print heads to maintain the best print quality.
- Print Head Alignment
Adjusts the print heads so that vertical and horizontal lines are aligned.
- Printer and Option Information
Enables you to make ON/OFF settings for the photo printing accelerator.

Installing on Macintosh



Caution:

Turn off all virus protection programs before you install your printer software.

Follow these steps to install your printer software.

1. Insert the software CD-ROM shipped with your printer in the CD-ROM drive. The EPSON printer software disk opens automatically.
2. Double-click EPSON STYLUS PRO 10000 or EPSON STYLUS PRO 10000CF, then the Install Printer Driver/Utility folder.
3. If a single Installer icon appears, double-click the icon. If separate folders containing installer icons for several languages appear, double-click the folder for your preferred language, then double-click the Installer icon inside it.
4. At the initial screen, click Continue. The following dialog box appears.

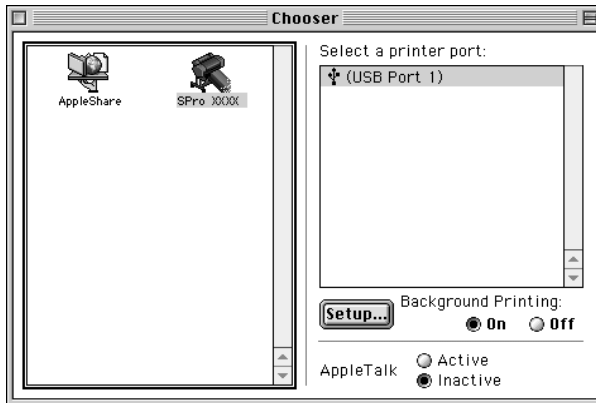


5. To install the printer software included on your printer software CD-ROM, make sure the Install Location box displays the correct disk drive, then click Install.
6. When a message appears informing you that the installation is complete, click Restart to restart your computer.

Using the Chooser to select your printer

After you have installed the printer software on your Macintosh, you need to open the Chooser and select your printer. You must select a printer the first time you use it or whenever you want to switch to another printer. Your Macintosh will always print using the last printer selected.

1. Select Chooser from the Apple menu. Then click your printer's icon and the port your printer is connected to.



2. Select the appropriate Background Printing radio button to turn background printing on or off.

With background printing on, you can use your Macintosh while it is preparing a document for printing. In order to use the EPSON Monitor3 utility to manage print jobs, background printing must be turned on.

3. Close the Chooser.

For information on opening and using the printer software, see "Printing From Your Macintosh" on page 4-8. If you use your printer on a network, see "Setting up Your Printer on a Network" on page 3-7.

Setting up Your Printer on a Network

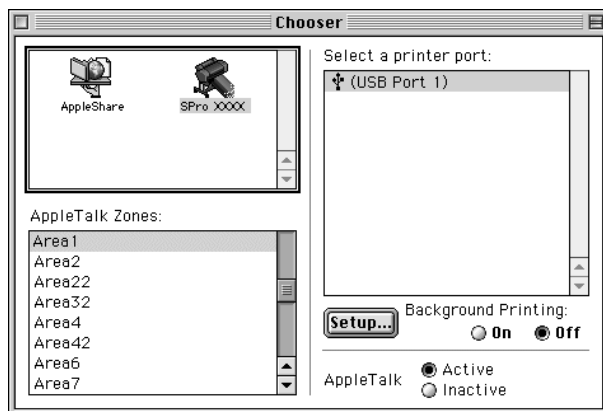
This section tells you how to set up the printer for use on an AppleTalk network. By setting up your local printer as a shared printer, it becomes connected to the network and can be used by other computers.

First, you need to setup the printer as a shared printer on the computer to which it is connected. Then, you must specify the network path to the printer from each computer that will use it, and install the printer software on those computers.

Setting up your printer as a shared printer

Follow these steps to share a printer connected directly to your computer with other computers on an AppleTalk network.

1. Turn on the printer.
2. Select Chooser from the Apple menu and click the printer's icon. Then select the port to which the printer is connected.



3. Click the Setup button. The following dialog box appears.

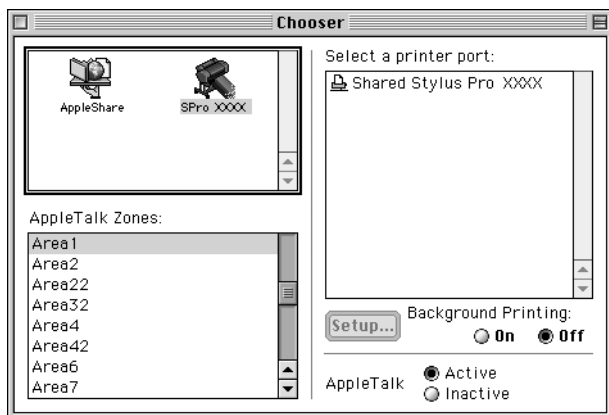


4. Select the Share this Printer check box, then type the printer name and password information as needed.
5. Click OK. The name of the shared printer appears in the port list in the Chooser.
6. Close the Chooser.

Accessing the printer through a network

To access your printer from another computer on the network, follow these steps.

1. Turn on your printer.
2. On each computer from which you want to access the printer, select **CHOOSE** from the Apple menu. Then click your printer's icon and select the printer port you want to use from the Select a printer port box on the right. You can only select from the printers connected to your current AppleTalk zone.



3. If the following dialog box appears, enter the password for the printer, then click OK.



4. Select the appropriate Background Printing option button to turn background printing on or off.
5. Close the Chooser.

Chapter 4

Printing and Printer Management

Printing From Your PC.....	4-2
Making the printer driver settings.....	4-2
Cancelling printing from your PC.....	4-7
Printing From Your Macintosh.....	4-8
Making the printer driver settings.....	4-8
Cancelling printing from your Macintosh.....	4-11

Printing From Your PC

After loading the paper, you are ready to print your document from your PC.

Note:

To ensure the print quality, you may need to check the printer's condition before you start printing. See Chapter 5, "Checking the Printer's Condition."

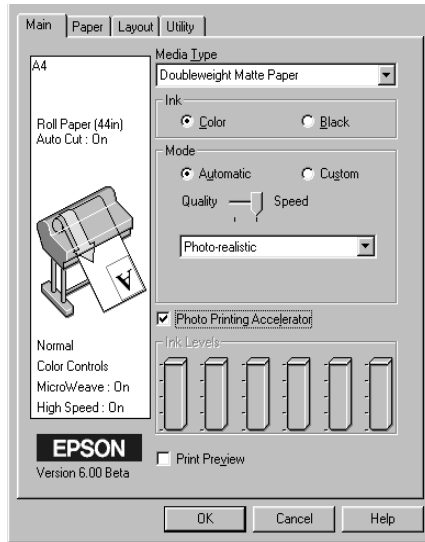
Making the printer driver settings

To make the basic settings to print your documents, access the Main menu and Paper menu in the printer driver. In the Paper menu, you can set particular settings for printing on roll paper; Auto Rotate, Auto Cut, and Print Page Line.

For details about the printer software, see online help by pressing the Help button in the driver settings window.

1. Click Print on the File menu. The Print dialog box appears.

2. Make sure your printer is selected and then click Properties, or Options. You may need to click a combination of these buttons. The driver settings window appears.



3. Click the Main tab to display the Main menu.
4. Select the media you loaded in the printer from the Media Type list.

Note:

- The Media Type setting determines what other settings are available, so you should always make this setting first.*
 - There are some differences in the selectable media between Stylus Pro 10000 and 10000CF.*
5. In the Ink box, select COLOR to print in color, or BLACK to print in black and white.

6. Make sure the Automatic radio button in the Mode box is selected.

Note:

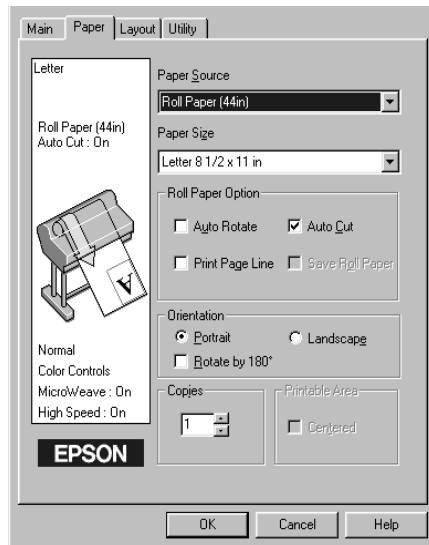
When Automatic is selected, the printer driver takes control of all detailed settings based on the current Media Type setting and Ink setting.

7. Adjust Speed and Quality in the Mode box if a slider appears. Drag the slider left or right depending on which is more important. This setting is usually automatically decided in accordance with your Media Type setting.

Note:

Depending on the Media Type you choose, a slider appears in the Mode box.

8. Select Photo Printing Accelerator if it is available.
9. Click the Paper tab to display the Paper menu.



10. Select the type of paper you loaded in the printer from the Paper Source list.
11. Select the paper size you loaded in the printer from the Paper Size list.

Note:

Most Windows applications feature paper size settings that override similar settings in the printer driver.

12. When roll paper is used, set the Roll Paper Option as required.

Auto Rotate (unavailable for Roll Paper [Banner])

If your document length is shorter than the printable width of the roll paper, the document will be turned automatically by 90 degrees and printed crosswise when you select Auto Rotate. You can save paper by using this function.

Auto Cut

Roll paper will be cut automatically after printing one page when you select Auto Cut.

Print Page Line

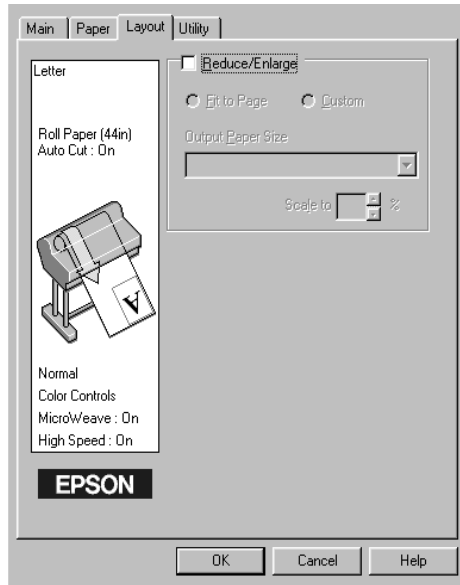
Page lines will be printed on the right side and below the document for manual cutting when you select Print Page Line.

Save Roll Paper (available only for Roll Paper [Banner])

Select this check box when you wish to save roll paper. The blank portion of the last page of your document is not fed through the printer.

13. Make settings for Orientation, Copies, and Printable Area.

14. Click the Layout tab to display the Layout menu.

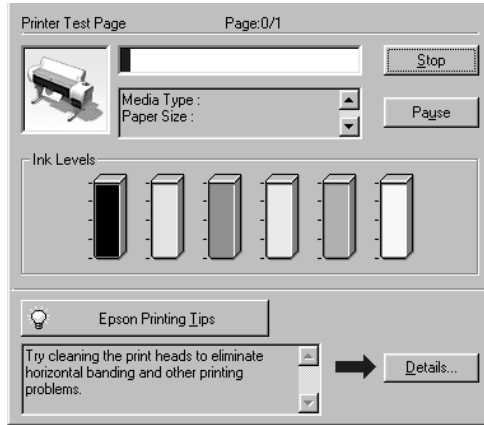


15. Select Reduce/Enlarge and adjust the print image size if necessary.

16. Click the OK button at the bottom of the window. The screen returns to the Print Setup dialog (or a similar dialog) of your application.

17. Click Print to print the document.

While printing, the EPSON Progress Meter will appear, showing the printing progress and the status of your printer.



For details, see “Printer Software” in your *Online Guide*.

Canceling printing from your PC

To cancel the printing in progress, press the **Stop** button on the EPSON Progress Meter.

You can also pause or restart printing. To pause printing, press the **Pause** button. To resume printing, press this button again.



Caution:

When you stop printing in progress, you may need to start printing again from the beginning for best result. Otherwise misalignment or banding may appear on the printed image.

Printing From Your Macintosh

After loading the paper, you are ready to print your document from your Macintosh.

Note:

To ensure the print quality, you may need to check the printer's condition before you start printing. See Chapter 5, "Checking the Printer's Condition."

Making the printer driver settings

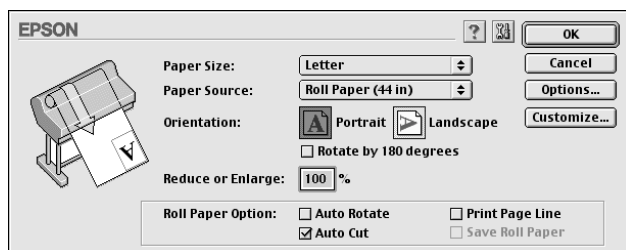
To make the printer driver settings, follow the steps below.

For details about the printer software, see online help by pressing the Help (marked with "?") icon button in the driver setting dialog boxes.

Note:

While many Macintosh applications override the settings made in the printer driver, some do not, so you must verify the settings to get the results you expect.

1. Choose PAGE SETUP from the File menu. This brings up the Page Setup dialog box shown below.



2. Select the paper size you loaded in the printer from the Paper Size list.
3. Select the type of paper you loaded in the printer from the Paper Source list.
4. Make settings for Orientation and Reduce or Enlarge as required.
5. When roll paper is used, set the Roll Paper Option as required.

Auto Rotate (unavailable for Roll Paper [Banner])

If your document length is shorter than the printable width of the roll paper, the document will be turned automatically by 90 degrees and printed crosswise when you select Auto Rotate. You can save paper by using this function.

Auto Cut

Roll paper will be cut automatically after a document is printed when you select Auto Cut.

Print Page Line

Page lines will be printed on the right side and below the document for manual cutting when you select Print Page Line.

Save Roll Paper (available only for Roll Paper [Banner])

Select this check box when you wish to save roll paper. The blank portion of the last page of your document is not fed through the printer.

6. After making your settings, click the OK button to close the Page Setup dialog box.

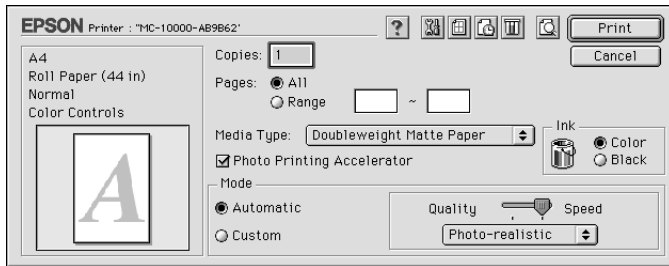
Note:

You cannot print from the Page Setup dialog box. You can only print from the Print dialog box.

7. Choose Print from the File menu. The Print dialog box appears as shown below.

Note:

You can also open the Print dialog box by pressing the Options button in the Page Setup dialog box.



8. Make the settings for Copies and Pages
9. Select the media you loaded in the printer from the Media Type list.

Note:

The Media Type setting determines what other settings are available, so you should always make this setting first.

10. In the Ink box, select COLOR to print in color, or BLACK to print in black and white.
11. Make sure the photo printing accelerator is selected.
12. Make sure the Mode option is set to Automatic.

Note:

When Automatic is selected, the printer driver takes control of all detailed settings based on the current Media Type setting and Ink settings.

- Adjust Speed and Quality in the Mode box if a slider appears. Drag the slider left or right depending on which is more important. This setting is usually automatically decided in accordance with your Media Type setting.

Note:

Depending on the Media Type you choose, a slider appears in the Mode box.

- Click the Print button to start printing.

Cancelling printing from your Macintosh

To cancel the printing in progress, follow the instructions below.





Caution:

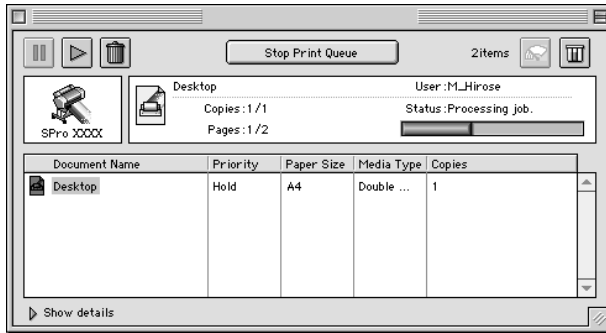
When you stop printing in progress, you may need to start printing again from the beginning for best result. Otherwise misalignment or banding may appear on the printed image.

When background printing is on


- Press the Power button to turn off the printer.
- Select EPSON Monitor3 from the application menu.



3. Click the  button, then click the  stop button to cancel the print job.



When background printing is off

1. Press the Power button to turn off the printer.
2. Hold down the  key on your keyboard and press the [.] period key to cancel the print job.

Checking the Printer's Condition

Using Printer Utilities	5-2
Accessing the printer utilities	5-2
Printing the Nozzle Check Pattern	5-3
Cleaning the Print Heads	5-4
Aligning the Print Heads	5-6

Using Printer Utilities

To ensure the print quality, you may need to check the printer's condition using the following utilities from the printer software.

Note:

You can also check from the printer's control panel. See "The Control Panel" in your Online Guide.

- Nozzle Check
- Print Head Cleaning
- Print Head Alignment


Accessing the printer utilities

To access the printer utilities, follow the steps below.

For Windows

1. Double-click the My Computer icon, then double-click the Printers folder.
2. For Windows Me, 98, and 95, right-click your Printer icon, then click Properties. For Windows 2000, right-click your printer icon, then click Printing Preferences. For Windows NT 4.0, right-click your Printer icon, then click Document Defaults. The printer software window appears. Then click the Utility tab.

For Macintosh

Click Print on the File menu of your application. Then click the  utility icon in the Print dialog box.

Printing the Nozzle Check Pattern

You can check the print head nozzles from your computer with the Nozzle Check utility in the printer software.

Note:

Do not start the Nozzle Check utility while printing is in progress; otherwise, your printout may be marred.

Follow the steps below:

1. Make sure the printer is turned on and paper is loaded in the printer. (A4 or wider paper)
2. Access the printer software. See “Accessing the printer utilities” on page 5-2.
3. Click the Nozzle Check button.
4. Follow the messages on your screen.

The printer prints an operational check page including firmware (ROM) version information and a nozzle check pattern. The nozzle check pattern will resemble one of the two samples shown below:



Good condition: Print heads do not require cleaning.



Poor condition: Print heads require cleaning.

Note:

Actual tests are printed in color.

If any segments of printed lines are missing in your nozzle check pattern, ink nozzles are clogged and the print heads require cleaning.



Caution:

Make sure that the nozzle check pattern printing is complete before you start printing. Otherwise, print quality may decline.

Cleaning the Print Heads

You can execute the head clean from your computer using the Head Cleaning utility in the printer software, as explained in the following steps.

Note:

- Print head cleaning uses ink. To avoid wasting ink, clean the print heads only if print quality declines.*
- Use the Nozzle Check utility to confirm that the print heads need to be cleaned, as this uses only a little ink.*
- When an Ink Out light is flashing (ink low) or on (ink out) in the printer, you cannot clean the print heads before replacing the appropriate ink cartridge first.*
- Do not start the Head Cleaning or Nozzle Check utilities while printing is in progress; otherwise, your printout may be marred.*

1. Make sure the lights on the control panel do not indicate that ink is low or ink is out.
2. Access the printer software. See “Accessing the printer utilities” on page 5-2.
3. Click the Head Cleaning button.
4. Follow the messages on your screen.

The Pause light of the printer flashes during the cleaning cycle, which takes about one minute to complete.



Caution:

Never turn off the printer until the cleaning cycle is finished and the Pause light has stopped flashing. Doing so may damage the printer.

5. When the Pause light is on, click Print nozzle check pattern (Windows) or the Confirmation button (Macintosh) in the Head Cleaning dialog box, or print a few lines from a document, to confirm that the heads are clean.

In the check pattern, if you find that segments are still missing from the test lines, you may need to repeat head cleaning and print the nozzle check pattern again.

If print quality does not improve even after repeating this procedure several times, turn the printer off leave it alone overnight. Then, clean the head again.

If print quality remains a problem after replacing the ink cartridges, contact your dealer.

Aligning the Print Heads

You can align the print heads using the Print Head Alignment utility in the printer software.

Note:


- ❑ *Do not start the Print Head Alignment utility while printing is in progress; otherwise, your printout may be marred.*
- ❑ *Alignment pattern printing requires 0.5 m roll paper.*

Follow the steps below:

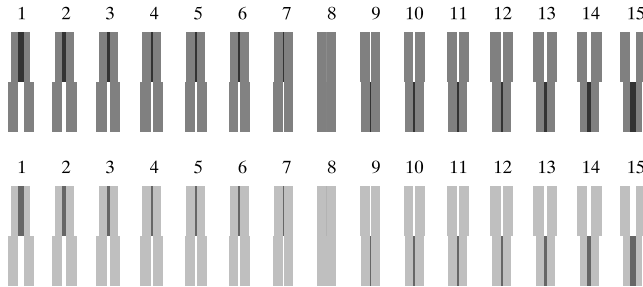
1. Make sure the printer is turned on, and the EPSON special roll paper you plan to use is loaded in the printer.

Note:

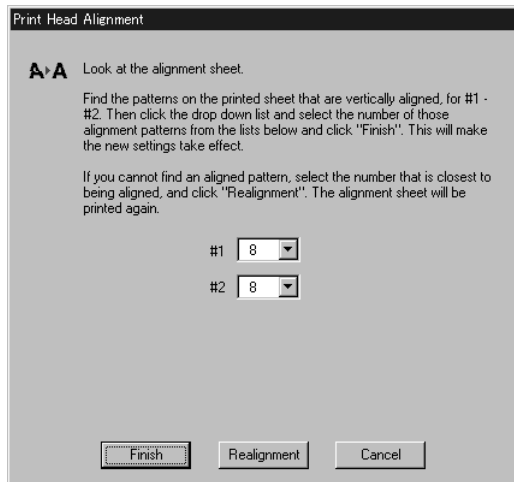
If you plan to use paper other than EPSON special paper, you may need to align the print heads using the SelecType settings. See “Paper Handling” in your Online Guide.

2. Access the printer software. See “Accessing the printer utilities” on page 5-2, depending on your system.
3. Click the Utility tab in the printer software window (Windows) or the  utility icon in the Print or Page Setup dialog box (Macintosh), then click the Print Head Alignment button.
4. Follow the messages on your screen. The printer prints the head alignment patterns.

5. Choose the set number that has the smallest gap in each alignment pattern. In the example below, set number 8 has the smallest gaps.



6. Select the number you chose in step 5 (for example, number 8), then click Finish.



Note:

If the set with the smallest gap is unclear and cannot be selected, click the Realignment button and repeat from step 5.

Chapter 6

Using an Optional Interface Card

Available Optional Interface Cards	6-2
Installing the Optional Interface Card	6-2

Available Optional Interface Cards

The optional Ethernet Interface Cards shown below let you use your printer on a network. The Ethernet card automatically detects the protocols on your network, so you can print from Windows Me, 98, 95, 2000, NT 4.0, and Macintosh on an AppleTalk network.

EPSONNet 10/100 BASE TX Int. Printer Server	C82384*
IEEE 1394 I/F card	C82372*

Note:

The asterisk in the product number is a substitute for the last digit which varies by country.

Installing the Optional Interface Card

To install an optional interface card, follow these steps:

Note:

Before you install the optional interface card, see the documentation that comes with the card for setup information.

1. Make sure the printer is turned off.
2. Make sure that the power cord is unplugged from the electrical outlet.

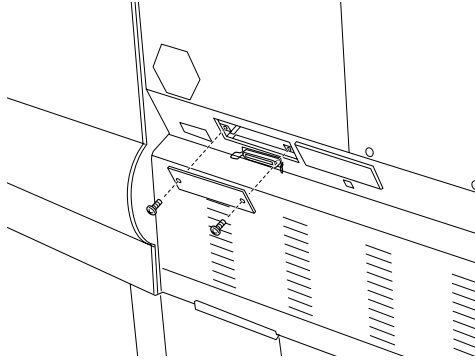


Warning:

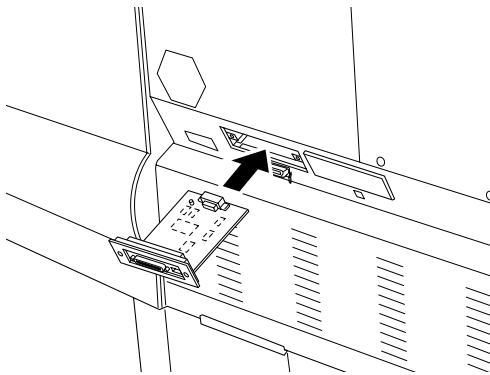
Do not install the interface card when the printer is connected to an electrical outlet, as damage may occur.

3. Disconnect the existing interface cable, if necessary.

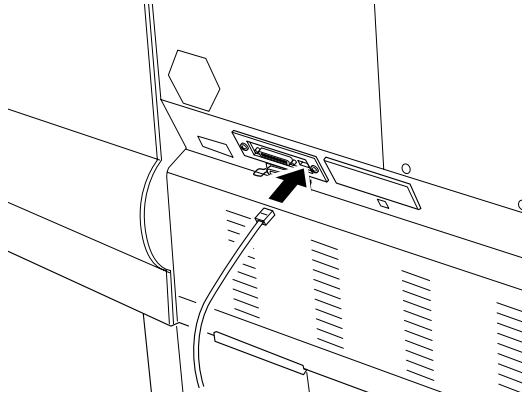
4. Use a cross-head screwdriver to remove the two screws securing the shield plate to the optional interface slot; then lift off the plate. Be sure to keep the screws; you may need to use them again when you re-install the shield plate.



5. Set any DIP switches and jumper on the card, if necessary. See the interface card's documentation for details.
6. Slide the interface card along the slots on both sides of the interface compartment. Push it in firmly to fully insert the connector at the rear of the interface card into the printer's internal socket.



7. Secure the interface card in the slot with the two screws included with the interface card.
8. Connect a compatible interface cable to the interface card and to your computer. If the cable has a ground wire, secure it with one of the screws.



Also, if you are using more than one computer, reconnect the other interface cable.

9. Make sure the printer is turned off. Then plug in the power cord.

To remove an interface card, follow the above steps in reverse order.

EPSON OVERSEAS MARKETING LOCATIONS

Epson America, Inc.

3840 Kilroy Airport Way
Long Beach, CA 90806
Phone: (562) 981-3840
Fax: (562) 290-5220

EPSON UK LTD.

Campus 100, Maylands Avenue,
Hemel Hempstead, Herts,
HP2 7TJ, U.K.
Phone: (+44) 01442 261144
Fax: (+44) 01442 227227

EPSON DEUTSCHLAND GmbH

Zlpicher Stra e 6,
40549 D sseldorf Germany
Phone: (0211) 56030
Fax: (0211) 5047787

EPSON FRANCE S.A.

68 bis, rue Marjolin
92300, Levallois-Perret, France
Phone: 33.1.41.86.26.56
Telex: 610657

EPSON AUSTRALIA PTY. LTD.

70 GIBBES STREET,
CHATSWOOD 2067 NSW.
Phone: 2-9903-9000
Fax: 2-9903-9177

EPSON SINGAPORE PTE. LTD.

No. 1 Temasek Avenue #36-00
Millenia Tower, Singapore 039192
Phone: (065) 33 77 911
Fax: (065) 33 41 185

EPSON HONG KONG LTD.

Rooms 4706-10, 47/F,
China Resources Bldg.,
26 Harbour Road, Wanchai, Hong Kong
Phone: 2585-4300
Fax: 2827-7083

EPSON TAIWAN TECHNOLOGY & TRADING LTD.

10F, No. 287 Nanking E. Road, Sec. 3,
Taipei, Taiwan, R.O.C.
Phone: (02) 717-7360
Fax: (02) 712-9164

EPSON ITALIA S.p.A.

V.le F.lli Casiraghi 427
20099 Sesto S.Giovanni
MI, Italy
Phone: +3902262331
Fax: +39022440750

EPSON IBERICA S.A.

Av. de Roma, 18-26
08290 Cerdanyola del Valles
Barcelona, Spain
Phone: 582. 15.00
Fax: 582. 15.55

**SEIKO EPSON CORPORATION
(Hirooka Office)**

80 Harashinden, Hirooka
Shiojiri-shi, Nagano-ken
399-0785 Japan

EPSON PORTUGAL, S.A.

R. do Progresso, 471, 1 Perafita
4460 Matosinhos, Portugal
Phone: (02) 996 14 02
Fax: (02) 996 14 11

EPSON

Color Ink Jet Printer

EPSON STYLUS™ PRO 10000/10000CF

Startup Guide

Printed in Japan
XX.XX-XX