

4-bit Single Chip Microcomputer



- Core CPU Architecture
- Dual Slope Type A/D Converter
- Reference Voltage Generation Circuit
- General Purpose Operating Amplifier
- SVD Circuit

■ DESCRIPTION

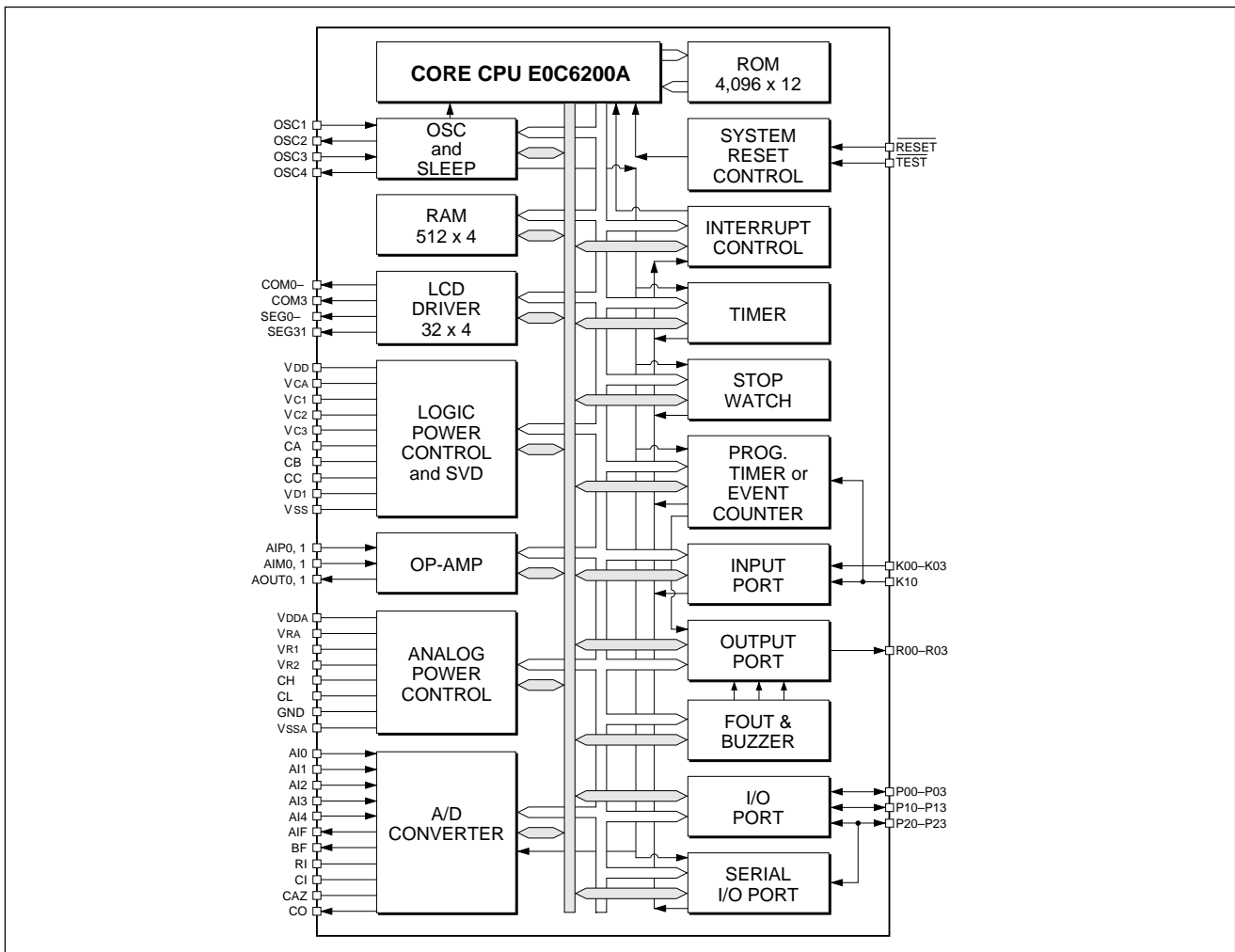
The E0C6274 is a single-chip microcomputer made up of the 4-bit core CPU E0C6200A, ROM, RAM, LCD driver, input ports, output ports, I/O ports, clock timer, stopwatch timer, programmable timer, clock-synchronized serial interface, general purpose operational amplifier, dual slope type A/D converter and watchdog timer. Because of its low-voltage operation and low power consumption, this series is ideal for a wide range of applications, and is especially suitable for battery-driven systems.

■ FEATURES

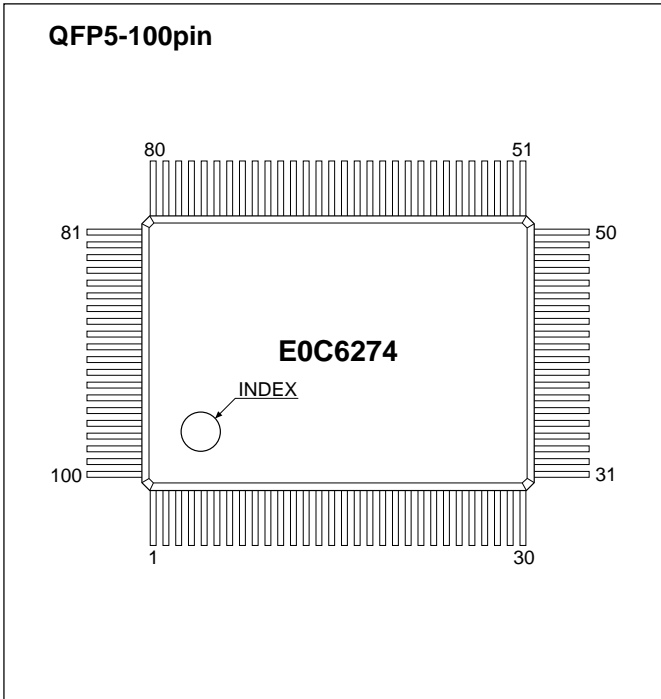
- CMOS LSI 4-bit parallel processing
- Clock 32.768kHz/1MHz (Typ.)
- Instruction set 109 instructions
- Instruction execution time When operated 32kHz : 153μsec, 214μsec, 366μsec
When operated 1MHz : 5μsec, 7μsec, 12μsec
- ROM capacity 4,096 words, 12 bits per word
- RAM capacity 512 words, 4 bits per word
- A/D converter Dual slope A/D converter
Resolution/conversion speed: programmable
(Need changed external parts)
6400 count: 500ms/3200 count: 250ms
1600 count: 125ms/800 count: 62.5ms
A/D conversion accuracy: ±0.2%
(Zone of temperature: 0°C to 50°C)
Analog measuring: programmable
(Voltage/difference voltage/resistor: measuring)
Analog voltage inputs: 5 channels
Reference voltage generation circuit
Middle electric potential (GND) generation circuit
- Built-in operational amplifier 2 MOS input Op-Amps
- Input port 5 bits
(Selected by mask option: with or without pull-up resistor)
- Output port 4 bits
(Clock output and buzzer output are available by mask option)
- Built-in stopwatch timer
- Built-in watchdog timer
- I/O port 12 bits
(Combine serial I/O ports clock: changed through software)
- Serial I/O port 1 port (Clock synchronous/8 bits)
- LCD driver Either 32 segments × 1, 2, 3 or 4 commons
(Selected through software)
Regulated voltage circuit and booster voltage circuit built-in
(Correspond to 3.0V to 4.5V LCD: VR adjustment)
- Timer Time base counter 2ch.
Programmable timer/event counter (8 bits) 1ch.

- Supply voltage detective (SVD)
 - circuit built-in 1.9V/2.0V/2.5V/2.6V Programmable (accuracy $\pm 100\mu\text{A}$)
- Interrupts
 - External : Input interrupt 2 lines
 - Internal : Timer interrupt 3 lines
 - Serial I/O interrupt 1 line
 - A/D interrupt 1 line
- Supply voltage
 - Operating : 2.4V to 5.5V (Single external power supply)
 - No operating : 1.8V to 5.5V (Single external power supply)
- Current consumption
 - SLEEP mode : 0.7 μA (3V, stop oscillation)
 - HALT mode : 2.0 μA (3V, 32kHz)
 - OPERATING mode : 6.0 μA (3V, 32kHz)
 - : 200 μA (3V, 1MHz)
 - (A/D operation) : 306 μA (3V, 32kHz)
 - : 506 μA (3V, 32kHz, operated OP-AMP)
- Package
 - QFP5-100pin (plastic), QFP15-100pin (plastic)
 - Die form

■ BLOCK DIAGRAM

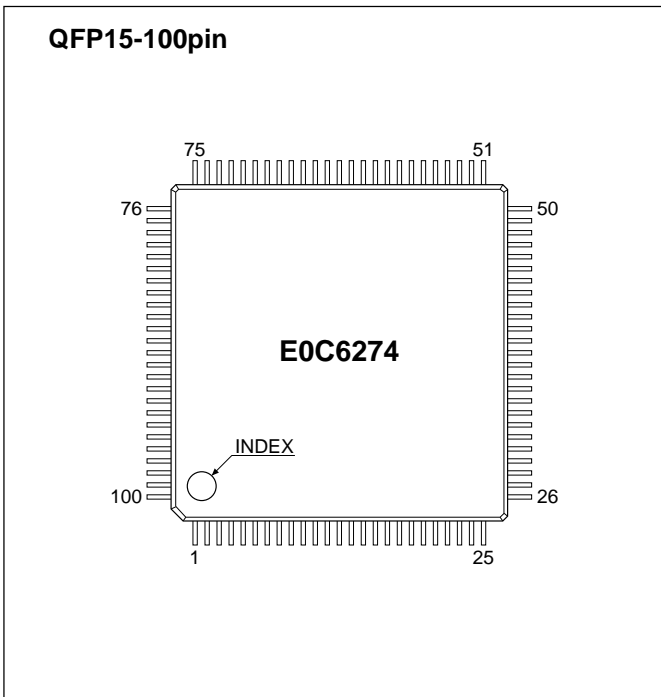


■ PIN CONFIGURATION



No.	Pin name	No.	Pin name	No.	Pin name	No.	Pin name
1	K02	26	P22	51	SEG10	76	AI3
2	K01	27	P23	52	SEG11	77	AI2
3	K00	28	RESET	53	SEG12	78	VSSA
4	N.C.	29	TEST	54	SEG13	79	AI1
5	N.C.	30	CC	55	SEG14	80	AI0
6	Vss	31	CB	56	SEG15	81	CI
7	OSC1	32	CA	57	SEG16	82	CAZ
8	OSC2	33	Vc3	58	SEG17	83	BF
9	OSC3	34	Vc2	59	SEG18	84	RI
10	OSC4	35	Vc1	60	SEG19	85	CH
11	VDD	36	VCA	61	SEG20	86	CL
12	R03	37	COM3	62	SEG21	87	GND
13	R02	38	COM2	63	SEG22	88	VDDA
14	R01	39	COM1	64	SEG23	89	AOUT0
15	R00	40	COM0	65	SEG24	90	AIPO
16	P00	41	SEG0	66	SEG25	91	AIM0
17	P01	42	SEG1	67	SEG26	92	AIP1
18	P02	43	SEG2	68	SEG27	93	AIM1
19	P03	44	SEG3	69	SEG28	94	AOUT1
20	P10	45	SEG4	70	SEG29	95	VR1
21	P11	46	SEG5	71	SEG30	96	VR2
22	P12	47	SEG6	72	SEG31	97	VRA
23	P13	48	SEG7	73	CO	98	VD1
24	P20	49	SEG8	74	AIF	99	K10
25	P21	50	SEG9	75	AI4	100	K03

N.C. = No Connection



No.	Pin name	No.	Pin name	No.	Pin name	No.	Pin name
1	K00	26	RESET	51	SEG12	76	VSSA
2	N.C.	27	TEST	52	SEG13	77	AI1
3	N.C.	28	CC	53	SEG14	78	AI0
4	Vss	29	CB	54	SEG15	79	CI
5	OSC1	30	CA	55	SEG16	80	CAZ
6	OSC2	31	Vc3	56	SEG17	81	BF
7	OSC3	32	Vc2	57	SEG18	82	RI
8	OSC4	33	Vc1	58	SEG19	83	CH
9	VDD	34	VCA	59	SEG20	84	CL
10	R03	35	COM3	60	SEG21	85	GND
11	R02	36	COM2	61	SEG22	86	VDDA
12	R01	37	COM1	62	SEG23	87	AOUT0
13	R00	38	COM0	63	SEG24	88	AIPO
14	P00	39	SEG0	64	SEG25	89	AIM0
15	P01	40	SEG1	65	SEG26	90	AIP1
16	P02	41	SEG2	66	SEG27	91	AIM1
17	P03	42	SEG3	67	SEG28	92	AOUT1
18	P10	43	SEG4	68	SEG29	93	VR1
19	P11	44	SEG5	69	SEG30	94	VR2
20	P12	45	SEG6	70	SEG31	95	VRA
21	P13	46	SEG7	71	CO	96	VD1
22	P20	47	SEG8	72	AIF	97	K10
23	P21	48	SEG9	73	AI4	98	K03
24	P22	49	SEG10	74	AI3	99	K02
25	P23	50	SEG11	75	AI2	100	K01

N.C. = No Connection

■ PIN DESCRIPTION

Pin name	Pin No.		In/Out	Function
	QFP5-100pin	QFP15-100pin		
VDD	11	9	I	Power source (+) terminal
VSS	6	4	I	Power source (-) terminal
VDDA	88	86	O	Analog system power source (+) terminal
VSSA	78	76	O	Analog system power source (-) terminal
GND	87	85	O	Analog system ground terminal
VD1	98	96	O	Oscillation and internal logic system regulated voltage output terminal
VC1	35	33	-	LCD system regulated voltage output terminal
VC2	34	32	I	LCD system booster output terminal (VC1 x 2)
VC3	33	31	O	LCD system booster output terminal (VC1 x 3)
VCA	36	34	I	LCD system voltage adjustment terminal
CA-CC	32-30	30-28	O	Booster capacitor connecting terminal
OSC1	7	5	I	Crystal oscillation input terminal
OSC2	8	6	I/O	Crystal oscillation output terminal
OSC3	9	7	O	Ceramic or CR oscillation input terminal (selected by mask option)
OSC4	10	8	O	Ceramic or CR oscillation output terminal (selected by mask option)
K00-K10	3-1, 100, 99	1, 100-97	O	Input terminal
P00-P13	16-23	14-21	O	I/O terminal
P20-P23	24-27	22-25	O	I/O terminal or serial input/output terminal
R00-R03	15-12	13-10	I	Output terminal (DC, buzzer or clock output may be selected by mask option)
COM0-3	40-37	38-35	I	LCD common output terminal
SEG0-31	41-72	39-70	O	LCD segment output terminal (Convertible to DC output by mask option)
AI0-AI4	80, 79, 77-75	78, 77, 75-73	O	Analog input terminal
AIF	74	72	I	Analog input filter condenser connecting terminal
CAZ	82	80	I	Auto zero adjustment condenser connecting terminal
CI	81	79		Integral condenser connecting terminal
RI	84	82		Integral resistance connecting terminal
BF	83	81		Buffer amplifier output terminal
CO	73	71		Testing output terminal
CH	85	83		Reference voltage control condenser connecting terminal
CL	86	84		Reference voltage control condenser connecting terminal
VR1	95	93		Reference voltage for resistance measurement
VR2	96	94		Reference voltage for voltage measurement
VRA	97	95		Reference voltage adjustment terminal
AIP0	90	88		AMP 0 non-inverted input terminal
AIM0	91	89		AMP 0 inverted input terminal
AOUT0	89	87		AMP 0 output terminal
AIP1	92	90		AMP 1 non-inverted input terminal
AIM1	93	91		AMP 1 inverted input terminal
AOUT1	94	92		AMP 1 output terminal
RESET	28	26		Initial reset input terminal
TEST	29	27		Test input terminal

■ ELECTRICAL CHARACTERISTICS

● Absolute Maximum Ratings

(Vss=0V)

Rating	Symbol	Value	Unit
Supply voltage	VDD	-0.5 to 7.0	V
Input voltage (1)	Vi	-0.5 to VDD + 0.3	V
Input voltage (2)	Viosc	-0.5 to VD1 + 0.3	V
Permissible total output current *1	ΣIvDD	10	mA
Operating temperature (1)	Topr1	-20 to 70	°C
Operating temperature (2) *2	Topr2	0 to 50	°C
Storage temperature	Tstg	-65 to 150	°C
Soldering temperature / Time	Tsol	260°C, 10sec (lead section)	-
Permissible dissipation *3	Pd	250	mW

*1: The permissible total output current is the sum total of the current (average current) that simultaneously flows from the output pins (or is draw in).

*2: The A/D converter and AMP circuit are ON status.

*3: In case of plastic package (QFP5-100pin, QFP15-100pin).

● Recommended Operating Conditions

Condition	Symbol	Remark	Min.	Typ.	Max.	Unit
Supply voltage	VDD	Vss=0V	2.2	3.0	5.5	V
		Vss=0V, When A/D converter or AMP is used	2.4	3.0	5.5	V
Oscillation frequency (1)	fosc1		-	32.768	-	kHz
Oscillation frequency (2)	fosc3	duty 50±5%	50	1,000	1,300	kHz

● DC Characteristics

(Unless otherwise specified: V_{DD}=3.0V, V_{SS}=0V, f_{osc1}=32.768kHz, T_a=25°C, V_{D1}/V_{C1}-V_{C3} are internal voltage, C₁-C₆=0.1μF)

Characteristic	Symbol	Condition	Min.	Typ.	Max.	Unit
High level input voltage (1)	V _{IH1}	K00-K03, K10, SIN, SCLK P00-P03, P10-P13, P20-P23	0.8•V _{DD}		V _{DD}	V
High level input voltage (2)	V _{IH2}	RESET, TEST	0.9•V _{DD}		V _{DD}	V
Low level input voltage (1)	V _{IL1}	K00-K03, K10, SIN, SCLK P00-P03, P10-P13, P20-P23	0		0.2•V _D	V
Low level input voltage (2)	V _{IL2}	RESET, TEST	0		0.1•V _{DD}	V
High level input current	I _{IH}	V _{IH} =3.0V K00-K03, K10, SIN, SCLK P00-P03, P10-P13, P20-P23 RESET, TEST	0		0.5	μA
Low level input current (1)	I _{IL1}	V _{IL1} =V _{SS} With pull up resistor K00-K03, K10, SIN, SCLK P00-P03, P10-P13, P20-P23 RESET	-20	-10	-5	μA
Low level input current (2)	I _{IL2}	V _{IL2} =V _{SS} No pull up resistor K00-K03, K10, SIN, SCLK P00-P03, P10-P13, P20-P23	-0.5		0	μA
High level output current (1)	I _{OH1}	V _{OH1} =0.9•V _{DD} R00, R01, P00-P03, P10-P13 P20-P23, SOUT, SCLK, SRDY			-0.9	mA
High level output current (2)	I _{OH2}	V _{OH2} =0.9•V _{DD} R02, R03			-1.8	mA
Low level output current (1)	I _{OL1}	V _{OL1} =0.1•V _{DD} R00, R01, P00-P03, P10-P13 P20-P23, SOUT, SCLK, SRDY	3.0			mA
Low level output current (2)	I _{OL2}	V _{OL2} =0.1•V _{DD} R02, R03	6.0			mA
Common output current	I _{OH3}	V _{OH3} =V _{C3} -0.05V COM0-COM3			-3	μA
	I _{OL3}	V _{OL3} =0.05V	3			μA
Segment output current (during LCD output)	I _{OH4}	V _{OH4} =V _{C3} -0.05V SEG0-SEG31			-3	μA
	I _{OL4}	V _{OL4} =0.05V	3			μA
Segment output current (during DC output)	I _{OH5}	V _{OH5} =0.9•V _{DD} SEG0-SEG31			-0.2	mA
	I _{OL5}	V _{OL5} =0.1•V _{DD}	0.2			mA

● Analog Circuit Characteristics and Current Consumption

(Unless otherwise specified: V_{DD}=V_{DDA}=3.0V, V_{SS}=V_{SSA}=0V, f_{osc1}=32.768kHz, T_a=25°C, C_G=25pF, V_{D1}/V_{C1}-V_{C3} are internal voltage, C₁-C₆=0.1μF)

Characteristic	Symbol	Condition	Min.	Typ.	Max.	Unit	
Internal voltage	V _{C1}	V _{CA} =V _{C1} , I _{C1} =-5μA	0.95	1.05	1.15	V	
	V _{C2}	Connect 1MΩ load resistor between V _{SS} and V _{C2} (without panel load)	2•V _{C1} ×0.9		2•V _{C1} +0.1	V	
	V _{C3}	Connect 1MΩ load resistor between V _{SS} and V _{C3} (without panel load)	3•V _{C1} ×0.9		3•V _{C1} +0.1	V	
SVD voltage	V _{SVD}	SVDS="0"	2.5	2.6	2.7	V	
		SVDS="1"	2.4	2.5	2.6	V	
		SVDS="2"	2.3	2.4	2.5	V	
		SVDS="3"	2.2	2.3	2.4	V	
SVD circuit response time	t _{SVD}			100	μS		
Current consumption	I _{OP}	During SLEEP		0.7	2.0	μA	
		During HALT (32kHz)		2.0	7.0	μA	
		During execution (32kHz) *1	Current that flows in external parts (loads) such as the LCD panel is not included.		6.0	15.0	μA
		During execution (1MHz) *1			200	500	μA
		During execution (32kHz) *2			306	915	μA
		During execution (32kHz) *3			506	1515	μA
During execution (32kHz) *4		16.0		45.0	μA		

*1: The SVD, A/D converter and AMP circuits are OFF status.

*2: The A/D converter (reference voltage V_{R1} and middle electric potential GND are supplied from outside) is ON status. The SVD and AMP circuits are OFF status.

*3: The A/D converter (reference voltage V_{R1} and middle electric potential GND are supplied from outside) and AMP circuits (2 systems) are ON status. The SVD circuit is OFF status.

*4: The SVD circuit is ON status. The A/D converter and AMP circuits are OFF status.

A/D converter

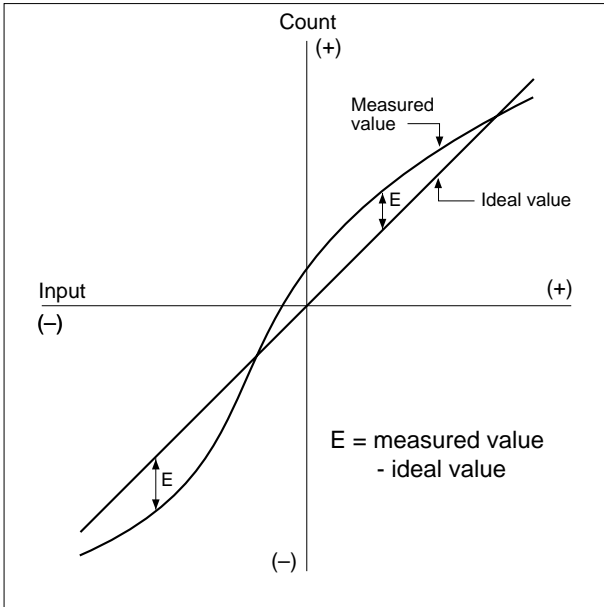
(Unless otherwise specified: $V_{DD}=V_{DDA}=3.0V$, $V_{SS}=V_{SSA}=0V$, $f_{OSC1}=32.768kHz$, $T_a=25^{\circ}C$, $C_G=25pF$, $V_{D1}/V_{C1}-V_{C3}$ are internal voltage, $C1-C6=0.1\mu F$)

Characteristic	Symbol	Condition	Min.	Typ.	Max.	Unit	
Absolute error	EV1	Voltage measurement mode	6400 counts, $R_I = 680\ k\Omega$	0	± 3	± 13	Count
			3200 counts, $R_I = 330\ k\Omega$	0	± 2	± 7	
			1600 counts, $R_I = 180\ k\Omega$	0	± 1	± 4	
			800 counts, $R_I = 82\ k\Omega$	0	± 1	± 4	
	ED1	Differential voltage measurement mode	6400 counts, $R_I = 680\ k\Omega$	0	± 4	± 16	Count
			3200 counts, $R_I = 330\ k\Omega$	0	± 2	± 8	
			1600 counts, $R_I = 180\ k\Omega$	0	± 1	± 5	
			800 counts, $R_I = 82\ k\Omega$	0	± 1	± 5	
	ER1	Resistance measurement mode	6400 counts, $R_I = 680\ k\Omega$	0	± 9	± 20	Count
			3200 counts, $R_I = 330\ k\Omega$	0	± 4	± 10	
			1600 counts, $R_I = 180\ k\Omega$	0	± 2	± 5	
			800 counts, $R_I = 82\ k\Omega$	0	± 2	± 5	
Zero point error	EZV1	Voltage measurement mode	6400 counts, $R_I = 680\ k\Omega$	0	0	± 4	Count
			3200 counts, $R_I = 330\ k\Omega$	0	0	± 2	
			1600 counts, $R_I = 180\ k\Omega$	0	0	± 2	
			800 counts, $R_I = 82\ k\Omega$	0	0	± 2	
	EZD1	Differential voltage measurement mode	6400 counts, $R_I = 680\ k\Omega$	0	1	± 5	Count
			3200 counts, $R_I = 330\ k\Omega$	0	0	± 3	
			1600 counts, $R_I = 180\ k\Omega$	0	0	± 3	
			800 counts, $R_I = 82\ k\Omega$	0	0	± 3	
Polarity error	EPV1	Voltage measurement mode	6400 counts, $R_I = 680\ k\Omega$	0	± 4	± 11	Count
			3200 counts, $R_I = 330\ k\Omega$	0	± 2	± 6	
			1600 counts, $R_I = 180\ k\Omega$	0	± 1	± 4	
			800 counts, $R_I = 82\ k\Omega$	0	± 1	± 4	
	EPD1	Differential voltage measurement mode	6400 counts, $R_I = 680\ k\Omega$	0	± 4	± 13	Count
			3200 counts, $R_I = 330\ k\Omega$	0	± 2	± 7	
			1600 counts, $R_I = 180\ k\Omega$	0	± 1	± 5	
			800 counts, $R_I = 82\ k\Omega$	0	± 1	± 5	
Linearity error	ELV1	Voltage measurement mode	6400 counts, $R_I = 680\ k\Omega$	0	± 1	± 8	Count
			3200 counts, $R_I = 330\ k\Omega$	0	± 1	± 4	
			1600 counts, $R_I = 180\ k\Omega$	0	± 1	± 3	
			800 counts, $R_I = 82\ k\Omega$	0	± 1	± 3	
	ELD1	Differential voltage measurement mode	6400 counts, $R_I = 680\ k\Omega$	0	± 2	± 10	Count
			3200 counts, $R_I = 330\ k\Omega$	0	± 1	± 5	
			1600 counts, $R_I = 180\ k\Omega$	0	± 1	± 3	
			800 counts, $R_I = 82\ k\Omega$	0	± 1	± 3	
	ELR1	Resistance measurement mode	6400 counts, $R_I = 680\ k\Omega$	0	± 2	± 10	Count
			3200 counts, $R_I = 330\ k\Omega$	0	± 1	± 5	
			1600 counts, $R_I = 180\ k\Omega$	0	± 1	± 3	
			800 counts, $R_I = 82\ k\Omega$	0	± 1	± 3	
Power current consumption	IAD	$T_a = 25^{\circ}C$ Current that flows in external parts is not included.		300	900	μA	

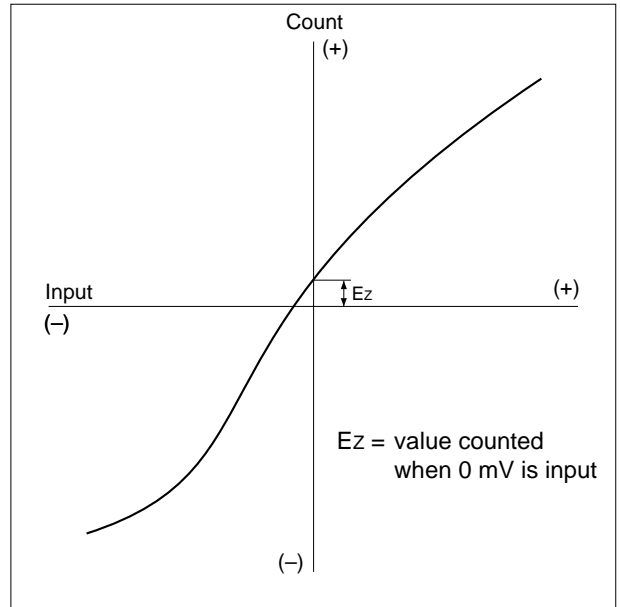
* In case of the voltage measurement mode or differential voltage measurement mode, the reference voltage V_{R2} is adjusted so that the measurement error (absolute error E) of the A/D converter becomes minimum when $T_a=25^{\circ}C$, $V_{DD}=V_{DDA}=3A$, input voltage $V_{IN}=+320mV$. Error and deviation by the reference voltage V_{R2} are not included.

[Reference curves]

Absolute error E

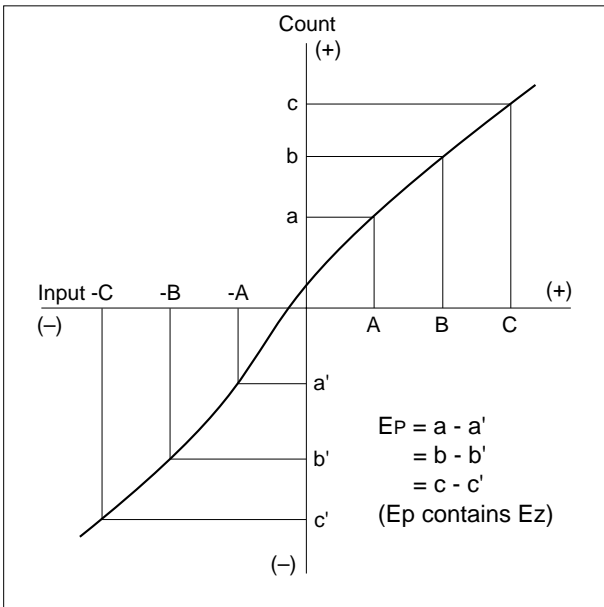


Zero point error Ez



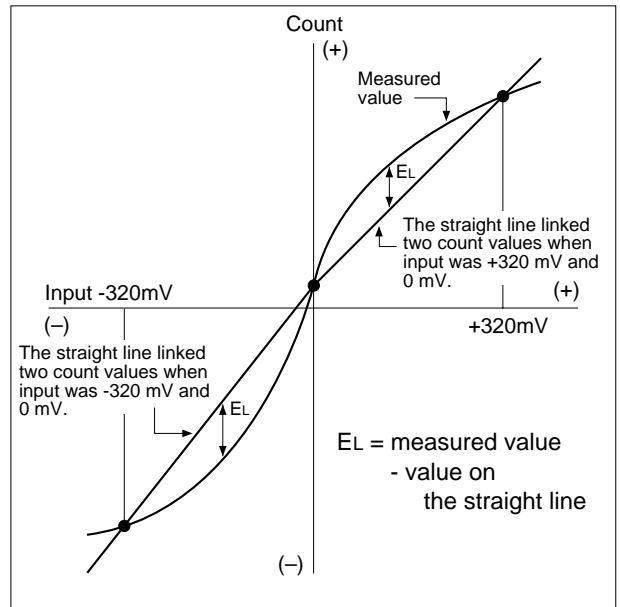
* There is no standard in the resistance measurement mode because 0 mV input has been inhibited.

Polarity error EP



* There is no standard in the resistance measurement mode because it is - (minus) input only.

Linearity error EL



* In the resistance measurement mode, the straight line linked two points at -6400 counts and 0 count.

Reference voltage generation circuit

(Unless otherwise specified: $V_{DD}=V_{DDA}=3.0V$, $V_{SS}=V_{SSA}=0V$, $f_{OSC1}=32.768kHz$, $T_a=25^{\circ}C$, $C_G=25pF$, $V_{D1}/V_{C1}-V_{C3}$ are internal voltage, $C1-C6=0.1\mu F$)

Characteristic	Symbol	Condition	Min.	Typ.	Max.	Unit	
Output voltage (1)	V_{R1O}	GND reference, Internal adjustment mode $V_{RON} = V_{RAON} = "1"$		-475		mV	
Output voltage (2)	V_{R2O}	GND reference, Internal adjustment mode $V_{RON} = V_{RAON} = "1"$	-1.0	(-163.8mV)	1.0	%	
Input voltage	V_{R1I}	GND reference, External adjustment mode $V_{RON} = V_{RAON} = "0"$, (Input voltage when the measurement error becomes minimum)		-475		mV	
Input current	$ I_{VR1} $	External adjustment mode A/D related are all OFF. $V_{RON} = V_{RAON} = "0"$ Current that flows in external parts is not included.	0		1.0	μA	
Temperature characteristics	V_{R2}/T_a	Ta = 0 to 50°C (25°C standard) $V_{RON} = "1"$	Internal adjustment mode $V_{RAON} = "1"$	-300	150	600	ppm/°C
			External adjustment mode $V_{RAON} = "0"$	-300	150	600	
Supply voltage characteristics	V_{R2}/V_{DDA}	$V_{DDA} = 2.4$ to 5.5 V $V_{RON} = "1"$	Internal adjustment mode $V_{RAON} = "1"$	-0.30	0	0.30	%FS
			External adjustment mode $V_{RAON} = "0"$	-0.15	0	0.15	
Power current consumption	I_{AD1}	Internal adjustment mode $V_{RON} = V_{RAON} = "1"$		10.0	30.0	μA	
	I_{AD2}	External adjustment mode $V_{RON} = "1"$, $V_{RAON} = "0"$		2.0	5.0		

* Error, deviation and power current consumption by external parts are not included.

Middle electric potential (GND) generation circuit

(Unless otherwise specified: $V_{DD}=V_{DDA}=3.0V$, $V_{SS}=V_{SSA}=0V$, $f_{OSC1}=32.768kHz$, $T_a=25^{\circ}C$, $C_G=25pF$, $V_{D1}/V_{C1}-V_{C3}$ are internal voltage, $C1-C6=0.1\mu F$)

Characteristic	Symbol	Condition	Min.	Typ.	Max.	Unit
Output voltage	G_{ND0}	$G_{NDON} = "01, 10, 11"$	$V_{DDA}/2$ -0.05	$V_{DDA}/2$	$V_{DDA}/2$ +0.05	V
Input voltage	G_{ND1}	$G_{NDON} = "00"$	$V_{DDA}/2$ -0.05	$V_{DDA}/2$	$V_{DDA}/2$ +0.05	V
Input current	$ I_{GND} $	$G_{NDON} = "00"$, A/D related are all OFF. Current that flows in external parts is not included.	0		1.0	μA
High level output current	I_{OH}	$G_{NDON} = "01, 10, 11"$ $V_{OH} = G_{ND} - 10$ mV			-100	μA
Low level output current (1)	I_{OL1}	$G_{NDON} = "01"$ $V_{OL1} = G_{ND} + 10$ mV	10.0			μA
Low level output current (2)	I_{OL2}	$G_{NDON} = "10"$ $V_{OL2} = G_{ND} + 10$ mV	20.0			μA
Low level output current (3)	I_{OL3}	$G_{NDON} = "11"$ $V_{OL3} = G_{ND} + 10$ mV	40.0			μA
Temperature characteristics	G_{ND}/T_a	Ta = 0 to 50°C (25°C standard) $G_{NDON} = "01, 10, 11"$	-30		30	ppm/°C
Supply voltage characteristics	G_{ND}/V_{DDA}	$V_{DDA} = 2.4$ to 5.5 V $G_{NDON} = "01, 10, 11"$		0.5	10.0	mV/V
Power current consumption	I_{GND1}	$G_{NDON} = "01"$		125	500	μA
	I_{GND2}	$G_{NDON} = "10"$		250	1000	
	I_{GND3}	$G_{NDON} = "11"$		500	2000	

* G_{NDON} is mark of G_{NDON1} or G_{NDON0} .

General-purpose operational amplifier

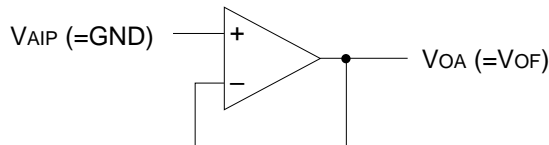
(Unless otherwise specified: $V_{DD}=V_{DDA}=3.0V$, $V_{SS}=V_{SSA}=0V$, $f_{OSC1}=32.768kHz$, $T_a=25^{\circ}C$, $C_G=25pF$, $V_{D1}/V_{C1}-V_{C3}$ are internal voltage, $C1-C6=0.1\mu F$)

Characteristic	Symbol	Condition	Min.	Typ.	Max.	Unit	
High level output voltage	VOHA	AMPONx = "1", $V_{AIM} = GND$ $V_{AIP} = GND + 10\text{ mV}$, $I_{OHA} = -10\ \mu A$	$0.9 \cdot V_{DDA}$		V_{DDA}	V	
Low level output voltage	VOLA	AMPONx = "1", $V_{AIM} = GND$ $V_{AIP} = GND - 10\text{ mV}$, $I_{OLA} = 10\ \mu A$	V_{SSA}		$0.1 \cdot V_{DDA}$	V	
High level output current	IOHA	AMPONx = "1", $V_{AIP} = GND$, AIP = AOUT $V_{OHA} = GND - 0.1\text{ V}$			-20	μA	
Low level output current	IOLA	AMPONx = "1", $V_{AIP} = GND$, AIM = AOUT $V_{OLA} = GND + 0.1\text{ V}$	100			μA	
Offset voltage	VOF	AMPONx = "1", $V_{AIP} = GND$, AIM = AOUT	-10		10	mV	
Input voltage range	VIA	AMPONx = "1", $V_{AIM} = V_{IA}$ $V_{AIP} = V_{IA} \pm 15\text{ mV}$ Comparator operation	$V_{SSA}+0.7$		$V_{DDA}-0.7$	V	
Slew rate	SR	AMPONx = "1" Load = 10 pF	Rising	20	200		mV/ μS
			Falling		-200	-20	
Response time	tAMP	AMPONx = "1", $V_{AIM} = GND$ $V_{AIP} = GND \pm 15\text{ mV}$ Comparator operation			3	mS	
Power current consumption	IAMP1	AMPON0 = "1", AMPON1 = "0"		100	300	μA	
	IAMP2	AMPON0 = "0", AMPON1 = "1"		100	300		

* AMPONx indicates AMPON0 or AMPON1.

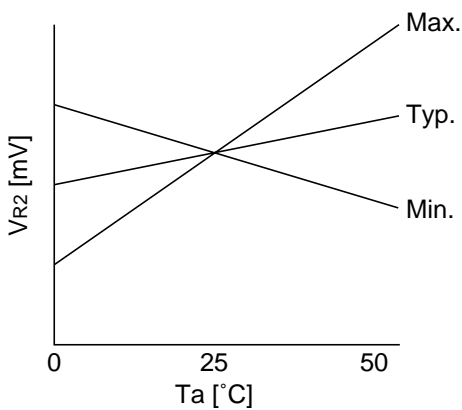
[Diagram for explanation of general-purpose operational amplifier]

IOHA, IOLA and VOF measurement circuits

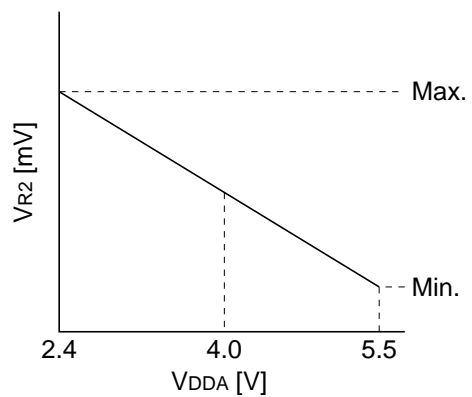


[Diagram for explanation of reference voltage generation circuit]

• Temperature characteristic V_{R2}/T_a



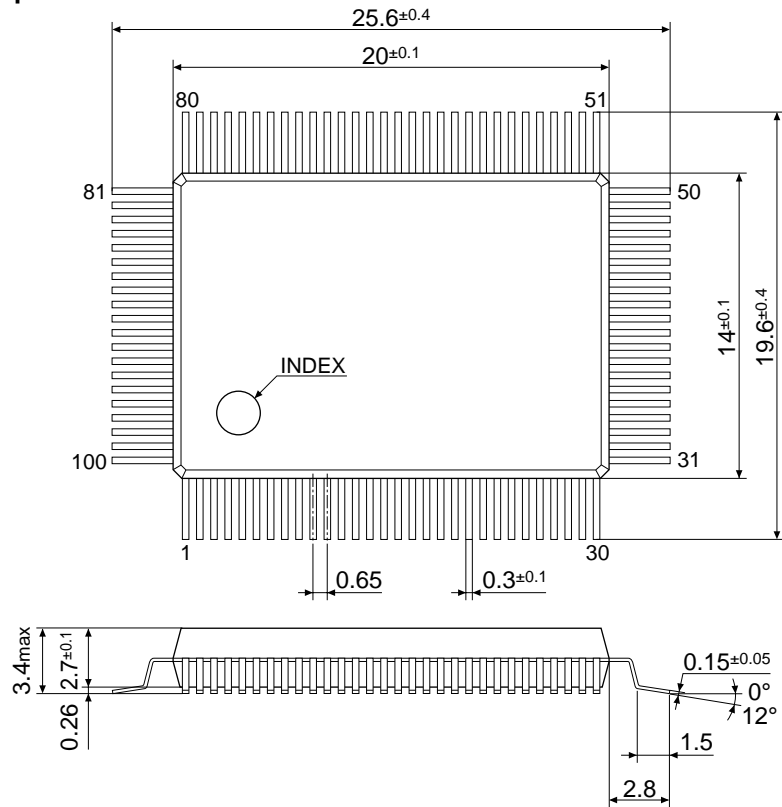
• Supply voltage characteristic V_{R2}/V_{DDA}



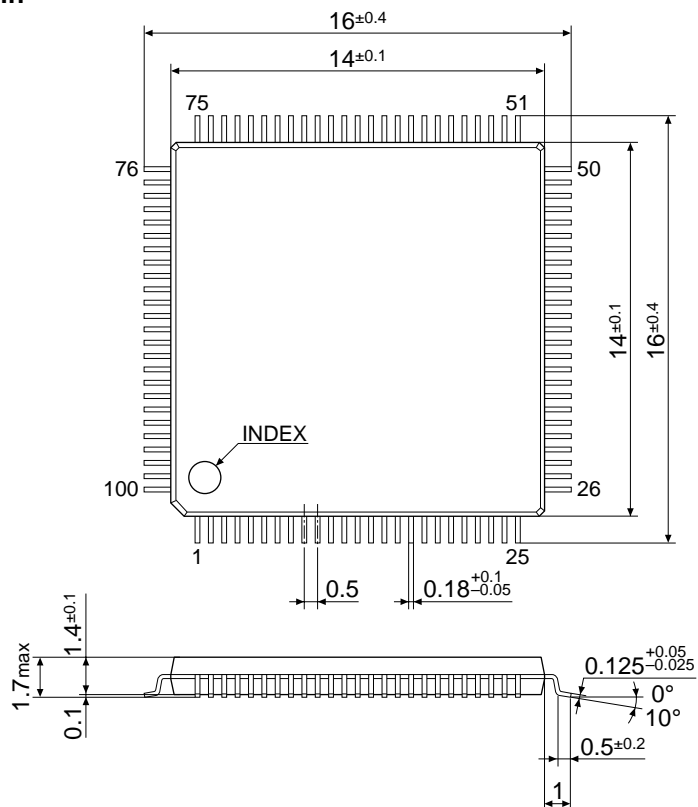
* $T_a = 25^{\circ}C$ as the standard

■ PACKAGE DIMENSIONS

Plastic QFP5-100pin



Plastic QFP15-100pin



Unit: mm

NOTICE

No part of this material may be reproduced or duplicated in any form or by any means without the written permission of Seiko Epson. Seiko Epson reserves the right to make changes to this material without notice. Seiko Epson does not assume any liability of any kind arising out of any inaccuracies contained in this material or due to its application or use in any product or circuit and, further, there is no representation that this material is applicable to products requiring high level reliability, such as, medical products. Moreover, no license to any intellectual property rights is granted by implication or otherwise, and there is no representation or warranty that anything made in accordance with this material will be free from any patent or copyright infringement of a third party. This material or portions thereof may contain technology or the subject relating to strategic products under the control of the Foreign Exchange and Foreign Trade Control Law of Japan and may require an export license from the Ministry of International Trade and Industry or other approval from another government agency.

All product names mentioned herein are trademarks and/or registered trademarks of their respective companies.

©Seiko Epson Corporation 1998 All rights reserved.

SEIKO EPSON CORPORATION**ELECTRONIC DEVICES MARKETING DIVISION****Electronic Device Marketing Department
IC Marketing & Engineering Group**

421-8, Hino, Hino-shi, Tokyo 191-8501, JAPAN
Phone: +81-(0)42-587-5816 Fax: +81-(0)42-587-5624

ED International Marketing Department I (Europe & U.S.A.)

421-8, Hino, Hino-shi, Tokyo 191-8501, JAPAN
Phone: +81-(0)42-587-5812 Fax: +81-(0)42-587-5564

ED International Marketing Department II (Asia)

421-8, Hino, Hino-shi, Tokyo 191-8501, JAPAN
Phone: +81-(0)42-587-5814 Fax: +81-(0)42-587-5110

Electric Device Information of EPSON WWW server

<http://www.epson.co.jp>

