

# E0C63B08

## 4-bit Single Chip Microcomputer



- 4-bit Low Cycle / Inst. Core CPU
- Built-in 7 Segment Type LCD Driver
- Low Voltage Operation (0.9V Min.)
- Built-in Gate Array

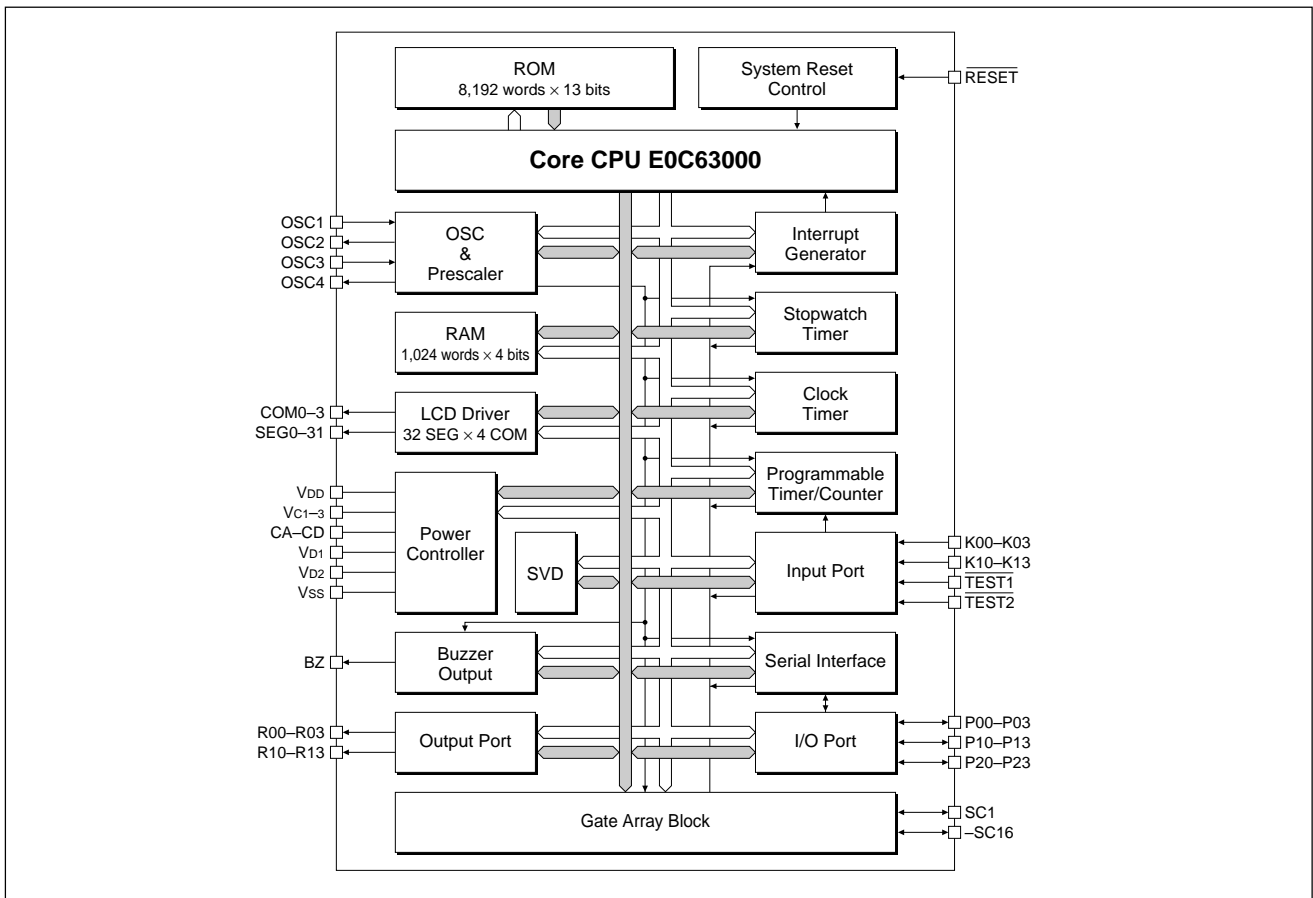
### ■ DESCRIPTION

The E0C63B08 is a CMOS 4-bit microcomputer composed of a CMOS 4-bit core CPU, ROM, RAM, 7 segment type LCD driver, 5000 gates of gate array and counters. And the E0C63B08 can be operated by single Manganese battery with LCD display. So that the E0C63B08 is best suited for systems such as numeric pager.

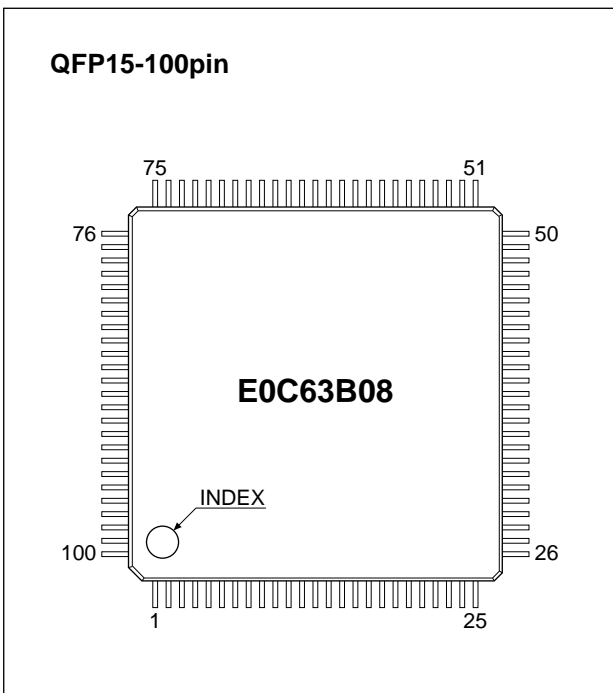
### ■ FEATURES

- CMOS LSI 4-bit parallel processing
- Main clock ..... 32.768 / 76.8 / 153.6kHz (Typ.)
- Sub clock ..... 400kHz (Max.)
- Instruction set ..... 46 kinds, 411 instructions
- Instruction execution time ..... 32kHz 61μsec (Min.)  
400kHz 5μsec (Min.)
- ROM capacity ..... 8,192 × 13 bit
- RAM capacity ..... 1,024 × 4 bit
- I/O port ..... Input : 8 bit  
Output : 8 bit  
I/O : 12 bit
- LCD driver ..... 32 segments × 4 commons
- Gate array ..... 5,000 usable gates (Bus interface)
- Supply voltage detect ..... 1.2V / 1.8V
- Clock timer ..... 1 ch.
- Watchdog timer ..... Built-in
- Programmable timer ..... 8 bit × 2 ch.
- Serial interface ..... Synchronous 8-bit
- Interrupts ..... External : Key interrupt 1 line  
Internal : Clock timer (1, 2, 8, 16Hz) 1 line  
: Programmable timer 1 line  
: Serial interface 1 line  
: Gate array 4 lines
- Package ..... QFP15-100pin (plastic), Die form
- Supply voltage ..... 0.9 to 3.6V
- Current consumption ..... HALT mode (32.768kHz, 1.5V) : 1.8μA (Typ.)

■ BLOCK DIAGRAM



■ PIN CONFIGURATION



No.	Name	No.	Name	No.	Name	No.	Name
1	SEG25	26	N.C.	51	BZ	76	SEG0
2	SEG26	27	CA	52	K00	77	SEG1
3	SEG27	28	RESET	53	K01	78	SEG2
4	SEG28	29	TEST2	54	K02	79	SEG3
5	SEG29	30	TEST1	55	K03	80	SEG4
6	SEG30	31	P23	56	K10	81	SEG5
7	SEG31	32	P22	57	K11	82	SEG6
8	COM0	33	P21	58	K12	83	SEG7
9	COM1	34	P20	59	K13	84	SEG8
10	COM2	35	P13	60	SC1	85	SEG9
11	COM3	36	P12	61	SC2	86	SEG10
12	CD	37	P11	62	SC3	87	SEG11
13	CC	38	P10	63	SC4	88	SEG12
14	Vc3	39	P03	64	SC5	89	SEG13
15	Vc2	40	P02	65	SC6	90	SEG14
16	Vc1	41	P01	66	SC7	91	SEG15
17	Vd2	42	P00	67	SC8	92	SEG16
18	VSS	43	R13	68	SC9	93	SEG17
19	OSC1	44	R12	69	SC10	94	SEG18
20	OSC2	45	R11	70	SC11	95	SEG19
21	Vd1	46	R10	71	SC12	96	SEG20
22	OSC3	47	R03	72	SC13	97	SEG21
23	OSC4	48	R02	73	SC14	98	SEG22
24	VDD	49	R01	74	SC15	99	SEG23
25	CB	50	R00	75	SC16	100	SEG24

N.C. : No Connection

■ PIN DESCRIPTION

Pin name	Pin No.	In/Out	Function
VDD	24	–	Power (+) supply pin
VSS	18	–	Power (–) supply pin
VD1	21	–	Oscillation/internal logic system regulated voltage output pin
VD2	17	–	Supply voltage doubler/halver output pin
Vc1–Vc3	16–14	–	LCD system power supply pin 1/3 or 1/2 bias (selected by mask option)
CA, CB	27, 25	–	LCD system boosting/reducing capacitor connecting pin
CC, CD	13, 12	–	Supply voltage doubling/halving capacitor connecting pin
OSC1	19	I	Crystal oscillation input pin
OSC2	20	O	Crystal oscillation output pin
OSC3	22	I	CR oscillation input pin
OSC4	23	O	CR oscillation output pin
K00–K03	52–55	I	Input port
K10–K13	56–59	I	Input port
P00–P03	42–39	I/O	I/O port
P10–P13	38–35	I/O	I/O port (switching to serial I/F input/output is possible by software)
P20–P23	34–31	I/O	I/O port
R00	50	O	Output port
R01	49	O	Output port
R02	48	O	Output port (switching to TOUT output is possible by software)
R03	47	O	Output port (switching to FOUT output is possible by software)
R10–R13	46–43	O	Output port
COM0–COM3	8–11	O	LCD common output pin (1/4, 1/3, 1/2 duty can be selected by software)
SEG0–SEG31	76–100, 1–7	O	LCD segment output pin
BZ	51	O	Buzzer output pin
SC1–SC16	60–75	I, O, I/O	G/A input/output pin
RESET	28	I	Initial reset input pin
TEST1	30	I	Testing input pin
TEST2	29	I	Testing input pin

■ ELECTRICAL CHARACTERISTICS

● Absolute Maximum Ratings

(VSS=0V)

Rating	Symbol	Value	Unit
Supply voltage	VDD	-0.5 to 7.0	V
Input voltage (1)	VI	-0.5 to VDD + 0.3	V
Input voltage (2)	VIOSC	-0.5 to VD1 + 0.3	V
Permissible total output current *1	ΣIVDD	10	mA
Operating temperature	Topr	-20 to 70	°C
Storage temperature	Tstg	-65 to 150	°C
Soldering temperature / Time	Tsol	260°C, 10sec (lead section)	–
Permissible dissipation *2	PD	250	mW

\*1: The permissible total output current is the sum total of the current (average current) that simultaneously flows from the output pins (or is draw in).

\*2: In case of plastic package (QFP15-100pin).

● Recommended Operating Conditions

(Ta=-20 to 70°C)

Condition	Symbol	Remark	Min.	Typ.	Max.	Unit	
Supply voltage	VDD	VSS=0V	Doubler mode (OSC3 OFF)	0.9	1.1	1.25	V
			Doubler mode (OSC3 ON)	0.9	1.1	2.2	V
			Normal mode (OSC3 OFF)	1.25	3.0	3.6	V
			Normal mode (OSC3 ON)	2.2	3.0	3.6	V
			Halver mode (OSC3 OFF)	2.5	3.0	3.6	V
Oscillation frequency (1)	fosc1	Any one is selected	–	32.768	–	kHz	
			–	76.8	–	kHz	
			–	153.6	–	kHz	
Oscillation frequency (2)	fosc3	Duty 50±5%, VDC="1"	50		400	kHz	

● DC Characteristics

(Unless otherwise specified: V<sub>DD</sub>=1.5V, V<sub>SS</sub>=0V, f<sub>osc1</sub>=32.768kHz, T<sub>a</sub>=25°C, V<sub>D1</sub>/V<sub>C1</sub>-V<sub>C3</sub> are internal voltage, C<sub>1</sub>-C<sub>5</sub>=0.2μF, C<sub>6</sub>-C<sub>7</sub>=0.4μF)

Characteristic	Symbol	Condition	Min.	Typ.	Max.	Unit
High level input voltage (1)	V <sub>IH1</sub>	K00-03, K10-13 P00-03, P10-13, P20-23	0.8•V <sub>DD</sub>		V <sub>DD</sub>	V
High level input voltage (2)	V <sub>IH2</sub>	RESET, TEST1, TEST2	0.9•V <sub>DD</sub>		V <sub>DD</sub>	V
Low level input voltage (1)	V <sub>IL1</sub>	K00-03, K10-13 P00-03, P10-13, P20-23	0		0.2•V <sub>D</sub>	V
Low level input voltage (2)	V <sub>IL2</sub>	RESET, TEST1, TEST2	0		0.1•V <sub>DD</sub>	V
High level input current	I <sub>IH</sub>	V <sub>IH</sub> =1.5V K00-03, K10-13 P00-03, P10-13, P20-23 RESET, TEST1, TEST2	0		0.5	μA
Low level input current (1)	I <sub>IL1</sub>	V <sub>IL1</sub> =V <sub>SS</sub> No pull up K00-03, K10-13 P00-03, P10-13, P20-23 RESET, TEST1, TEST2	-0.5		0	μA
Low level input current (2)	I <sub>IL2</sub>	V <sub>IL2</sub> =V <sub>SS</sub> With pull up K00-03, K10-13 P00-03, P10-13, P20-23 RESET, TEST1, TEST2	-8	-5	-3	μA
High level output current (1)	I <sub>OH1</sub>	V <sub>OH1</sub> =0.9•V <sub>DD</sub> R00-03, R10-13 P00-03, P10-13, P20-23			-0.3	mA
High level output current (2)	I <sub>OH2</sub>	V <sub>OH2</sub> =0.9•V <sub>DD</sub> BZ			-0.3	mA
Low level output current (1)	I <sub>OL1</sub>	V <sub>OL1</sub> =0.1•V <sub>DD</sub> R00-03, R10-13 P00-03, P10-13, P20-23	0.7			mA
Low level output current (2)	I <sub>OL2</sub>	V <sub>OL2</sub> =0.1•V <sub>DD</sub> BZ	0.7			mA
Common output current	I <sub>OH3</sub>	V <sub>OH3</sub> =V <sub>C3</sub> -0.05V	COM0-COM3	10	-10	μA
	I <sub>OL3</sub>	V <sub>OL3</sub> =V <sub>SS</sub> +0.05V				
Segment output current (during LCD output)	I <sub>OH4</sub>	V <sub>OH4</sub> =V <sub>C3</sub> -0.05V	SEG0-SEG31	10	-10	μA
	I <sub>OL4</sub>	V <sub>OL4</sub> =V <sub>SS</sub> +0.05V				
Segment output current (during DC output)	I <sub>OH5</sub>	V <sub>OH5</sub> =0.9•V <sub>DD</sub>	SEG0-SEG31	100	-100	μA
	I <sub>OL5</sub>	V <sub>OL5</sub> =0.1•V <sub>DD</sub>				

(Unless otherwise specified: V<sub>DD</sub>=3.0V, V<sub>SS</sub>=0V, f<sub>osc1</sub>=32.768kHz, T<sub>a</sub>=25°C, V<sub>D1</sub>/V<sub>C1</sub>-V<sub>C3</sub> are internal voltage, C<sub>1</sub>-C<sub>5</sub>=0.2μF, C<sub>6</sub>-C<sub>7</sub>=0.4μF)

Characteristic	Symbol	Condition	Min.	Typ.	Max.	Unit
High level input voltage (1)	V <sub>IH1</sub>	K00-03, K10-13 P00-03, P10-13, P20-23	0.8•V <sub>DD</sub>		V <sub>DD</sub>	V
High level input voltage (2)	V <sub>IH2</sub>	RESET, TEST1, TEST2	0.9•V <sub>DD</sub>		V <sub>DD</sub>	V
Low level input voltage (1)	V <sub>IL1</sub>	K00-03, K10-13 P00-03, P10-13, P20-23	0		0.2•V <sub>D</sub>	V
Low level input voltage (2)	V <sub>IL2</sub>	RESET, TEST1, TEST2	0		0.1•V <sub>DD</sub>	V
High level input current	I <sub>IH</sub>	V <sub>IH</sub> =3.0V K00-03, K10-13 P00-03, P10-13, P20-23 RESET, TEST1, TEST2	0		0.5	μA
Low level input current (1)	I <sub>IL1</sub>	V <sub>IL1</sub> =V <sub>SS</sub> No pull up K00-03, K10-13 P00-03, P10-13, P20-23 RESET, TEST1, TEST2	-0.5		0	μA
Low level input current (2)	I <sub>IL2</sub>	V <sub>IL2</sub> =V <sub>SS</sub> With pull up K00-03, K10-13 P00-03, P10-13, P20-23 RESET, TEST1, TEST2	-16	-5	-6	μA
High level output current (1)	I <sub>OH1</sub>	V <sub>OH1</sub> =0.9•V <sub>DD</sub> R00-03, R10-13 P00-03, P10-13, P20-23			-1.5	mA
High level output current (2)	I <sub>OH2</sub>	V <sub>OH2</sub> =0.9•V <sub>DD</sub> BZ			-1.5	mA
Low level output current (1)	I <sub>OL1</sub>	V <sub>OL1</sub> =0.1•V <sub>DD</sub> R00-03, R10-13 P00-03, P10-13, P20-23	6			mA
Low level output current (2)	I <sub>OL2</sub>	V <sub>OL2</sub> =0.1•V <sub>DD</sub> BZ	6			mA
Common output current	I <sub>OH3</sub>	V <sub>OH3</sub> =V <sub>C3</sub> -0.05V	COM0-COM3	10	-10	μA
	I <sub>OL3</sub>	V <sub>OL3</sub> =V <sub>SS</sub> +0.05V				
Segment output current (during LCD output)	I <sub>OH4</sub>	V <sub>OH4</sub> =V <sub>C3</sub> -0.05V	SEG0-SEG31	10	-10	μA
	I <sub>OL4</sub>	V <sub>OL4</sub> =V <sub>SS</sub> +0.05V				
Segment output current (during DC output)	I <sub>OH5</sub>	V <sub>OH5</sub> =0.9•V <sub>DD</sub>	SEG0-SEG31	300	-300	μA
	I <sub>OL5</sub>	V <sub>OL5</sub> =0.1•V <sub>DD</sub>				

● Analog Circuit Characteristics and Current Consumption

(Unless otherwise specified: V<sub>DD</sub>=3.0V, V<sub>SS</sub>=0V, f<sub>osc1</sub>=32.768kHz, C<sub>G</sub>=25pF, T<sub>a</sub>=25°C, V<sub>D1</sub>/V<sub>C1</sub>-V<sub>C3</sub> are internal voltage, C<sub>1</sub>-C<sub>5</sub>=0.2μF, C<sub>6</sub>-C<sub>7</sub>=0.4μF)

Characteristic	Symbol	Condition	Min.	Typ.	Max.	Unit	
LCD drive voltage	V <sub>C1</sub>	Connect 1MΩ load resistor between V <sub>SS</sub> and V <sub>C1</sub> (No panel load)	0.95	1.05	1.15	V	
	V <sub>C2</sub>	Connect 1MΩ load resistor between V <sub>SS</sub> and V <sub>C2</sub> (No panel load)	2•V <sub>C1</sub> ×0.9		2•V <sub>C1</sub> +0.1	V	
	V <sub>C3</sub>	Connect 1MΩ load resistor between V <sub>SS</sub> and V <sub>C3</sub> (No panel load)	3•V <sub>C1</sub> ×0.9		3•V <sub>C1</sub> +0.1	V	
SVD voltage	V <sub>SVD</sub>	SVDS0-3="0"	0.95	1.05	1.15	V	
		SVDS0-3="1"	1.05	1.10	1.15	V	
		SVDS0-3="2"	1.10	1.15	1.20	V	
		SVDS0-3="3"	1.15	1.20	1.25	V	
		SVDS0-3="4"	1.20	1.25	1.30	V	
		SVDS0-3="5"	1.25	1.30	1.35	V	
		SVDS0-3="6"	1.35	1.40	1.45	V	
		SVDS0-3="7"	1.55	1.60	1.65	V	
		SVDS0-3="8"	1.90	1.95	2.00	V	
		SVDS0-3="9"	1.95	2.00	2.05	V	
		SVDS0-3="10"	2.00	2.05	2.10	V	
		SVDS0-3="11"	2.05	2.10	2.15	V	
		SVDS0-3="12"	2.15	2.20	2.25	V	
		SVDS0-3="13"	2.25	2.30	2.35	V	
		SVDS0-3="14"	2.45	2.50	2.55	V	
SVDS0-3="15"	2.55	2.60	2.65	V			
SVD circuit response time	t <sub>SVD</sub>				100	μS	
Current consumption	I <sub>OP</sub>	During HALT	32.768kHz		1.22	1.54	μA
		Normal mode	76.8kHz		1.76	2.13	μA
		LCD power OFF	153.6kHz		3.48	4.36	μA
		During HALT	32.768kHz		1.88	2.19	μA
		Normal mode *1	76.8kHz		2.42	2.75	μA
		LCD power ON	153.6kHz		4.13	5.00	μA
		During HALT	32.768kHz		4.06	4.75	μA
		Doubler mode (V <sub>DD</sub> =1.2V) *1	76.8kHz		5.33	6.08	μA
		LCD power ON	153.6kHz		8.88	10.55	μA
		During HALT	32.768kHz		1.31	1.50	μA
		Halver mode (V <sub>DD</sub> =3.0V) *1	76.8kHz		1.70	1.87	μA
		LCD power ON	153.6kHz		2.50	2.83	μA
		During execution	32.768kHz		5.33	5.83	μA
		Normal mode *1	76.8kHz		10.75	11.09	μA
		LCD power ON	153.6kHz		20.83	22.30	μA
			400kHz (CR oscillation)		87.50	90.00	μA
		During execution	32.768kHz		11.17	12.33	μA
		Doubler mode (V <sub>DD</sub> =1.2V) *1	76.8kHz		20.90	21.00	μA
		LCD power ON	153.6kHz		41.70	45.00	μA
			400kHz (CR oscillation)		175.0	177.5	μA
		During execution	32.768kHz		3.17	3.33	μA
Halver mode (V <sub>DD</sub> =3.0V) *1	76.8kHz		6.00	6.15	μA		
LCD power ON	153.6kHz		11.1	11.7	μA		

\*1: No panel load. The SVD circuit is OFF.

● Oscillation Characteristics

The oscillation characteristics change depending on the conditions (components used, board pattern, etc.). Use the following characteristics as reference values.

**OSC1 crystal oscillation circuit**

(Unless otherwise specified:  $V_{DD}=3.0V$ ,  $V_{SS}=0V$ ,  $f_{OSC1}=32.768kHz$ ,  $C_G=25pF$ ,  $C_D=$ built-in,  $T_a=25^{\circ}C$ )

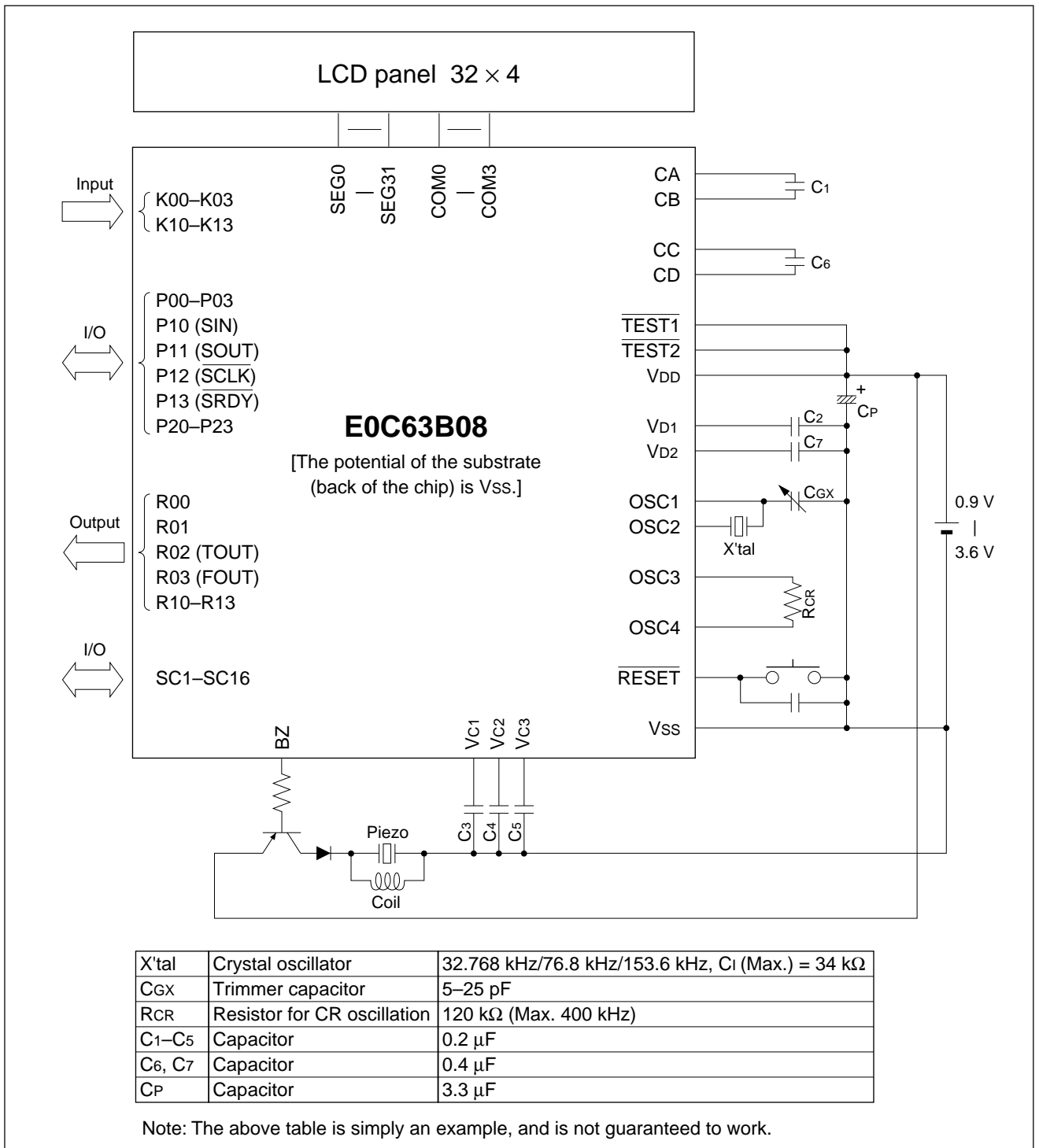
Characteristic	Symbol	Condition	Min.	Typ.	Max.	Unit
Oscillation start voltage	Vsta	$t_{sta} \leq 3sec$ ( $V_{DD}$ )	1.1			V
Oscillation stop voltage	Vstp	$t_{stp} \leq 10sec$ ( $V_{DD}$ )	Normal mode	1.1		V
			Doubler mode	0.9		V
Built-in capacitance (drain)	$C_D$	Including the parasitic capacity inside the IC (in chip)		14		pF
Frequency/voltage deviation	$\partial f/\partial V$	$V_{DD}=0.9$ to $3.6V$	with VDC switching		10	ppm
			without VDC switching		5	ppm
Frequency/IC deviation	$\partial f/\partial IC$		-10		10	ppm
Frequency adjustment range	$\partial f/\partial C_G$	$C_G=5$ to $25pF$	32.768kHz	30	40	ppm
			76.8kHz	20	25	ppm
			153.6kHz	8	10	ppm
Harmonic oscillation start voltage	$V_{hho}$	$C_G=5pF$ ( $V_{DD}$ )	3.6			V
Permitted leak resistance	$R_{leak}$	Between OSC1 and $V_{DD}$ , $V_{SS}$	200			$M\Omega$

**OSC3 CR oscillation circuit**

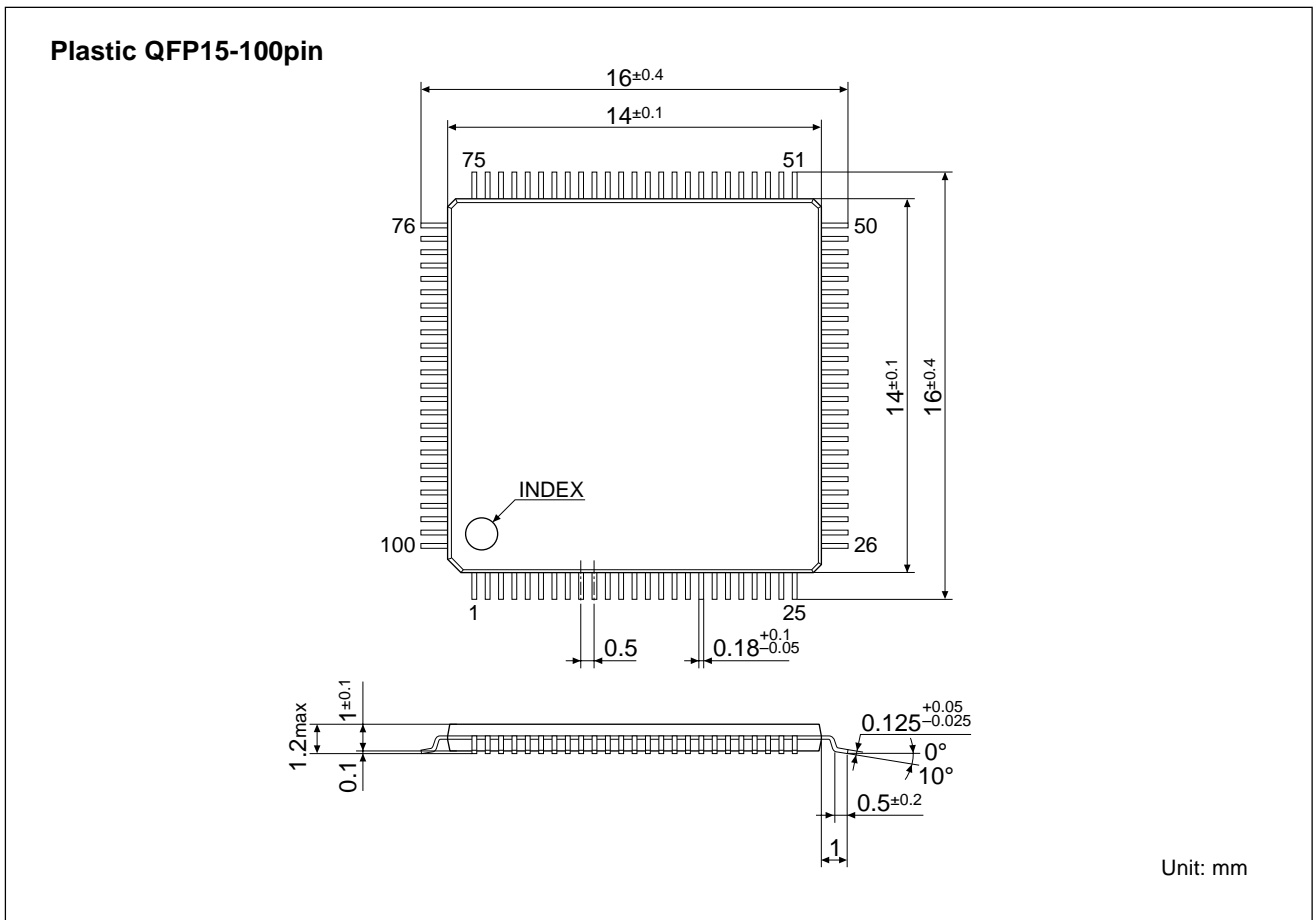
(Unless otherwise specified:  $V_{DD}=3.0V$ ,  $V_{SS}=0V$ ,  $R_{CR}=120k\Omega$ ,  $T_a=25^{\circ}C$ )

Characteristic	Symbol	Condition	Min.	Typ.	Max.	Unit
Oscillation frequency dispersion	$f_{OSC3}$		-30	310kHz	30	%
Oscillation start voltage	Vsta	Normal mode ( $V_{DD}$ )	2.2			V
		Doubler mode ( $V_{DD}$ )	0.9			V
Oscillation start time	$t_{sta}$	$V_{DD}=2.2$ to $3.6V$ (Doubler mode: $V_{DD}=0.9$ to $2.2V$ )			3	mS
Oscillation stop voltage	Vstp	Normal mode ( $V_{DD}$ )	2.2			V
		Doubler mode ( $V_{DD}$ )	0.9			V

■ BASIC EXTERNAL CONNECTION DIAGRAM



■ PACKAGE DIMENSIONS





**NOTICE**

No part of this material may be reproduced or duplicated in any form or by any means without the written permission of Seiko Epson. Seiko Epson reserves the right to make changes to this material without notice. Seiko Epson does not assume any liability of any kind arising out of any inaccuracies contained in this material or due to its application or use in any product or circuit and, further, there is no representation that this material is applicable to products requiring high level reliability, such as, medical products. Moreover, no license to any intellectual property rights is granted by implication or otherwise, and there is no representation or warranty that anything made in accordance with this material will be free from any patent or copyright infringement of a third party. This material or portions thereof may contain technology or the subject relating to strategic products under the control of the Foreign Exchange and Foreign Trade Control Law of Japan and may require an export license from the Ministry of International Trade and Industry or other approval from another government agency.

All product names mentioned herein are trademarks and/or registered trademarks of their respective companies.

©Seiko Epson Corporation 1998 All rights reserved.

**SEIKO EPSON CORPORATION****ELECTRONIC DEVICES MARKETING DIVISION****Electronic Device Marketing Department  
IC Marketing & Engineering Group**

421-8, Hino, Hino-shi, Tokyo 191-8501, JAPAN  
Phone: +81-(0)42-587-5816 Fax: +81-(0)42-587-5624

**ED International Marketing Department I (Europe & U.S.A.)**

421-8, Hino, Hino-shi, Tokyo 191-8501, JAPAN  
Phone: +81-(0)42-587-5812 Fax: +81-(0)42-587-5564

**ED International Marketing Department II (Asia)**

421-8, Hino, Hino-shi, Tokyo 191-8501, JAPAN  
Phone: +81-(0)42-587-5814 Fax: +81-(0)42-587-5110

Electric Device Information of EPSON WWW server

<http://www.epson.co.jp>

