

CMOS 4-BIT SINGLE CHIP MICROCOMPUTER  
***E0C6003 TECHNICAL MANUAL***

**E0C6003 Technical Hardware**



#### ***NOTICE***

---

*No part of this material may be reproduced or duplicated in any form or by any means without the written permission of Seiko Epson. Seiko Epson reserves the right to make changes to this material without notice. Seiko Epson does not assume any liability of any kind arising out of any inaccuracies contained in this material or due to its application or use in any product or circuit and, further, there is no representation that this material is applicable to products requiring high level reliability, such as medical products. Moreover, no license to any intellectual property rights is granted by implication or otherwise, and there is no representation or warranty that anything made in accordance with this material will be free from any patent or copyright infringement of a third party. This material or portions thereof may contain technology or the subject relating to strategic products under the control of the Foreign Exchange and Foreign Trade Control Law of Japan and may require an export license from the Ministry of International Trade and Industry or other approval from another government agency. Please note that "E0C" is the new name for the old product "SMC". If "SMC" appears in other manuals understand that it now reads "E0C".*

## CONTENTS

<b>CHAPTER 1</b>	<b>INTRODUCTION</b>	<b>1</b>
1.1	Features	1
1.2	Block Diagram	2
1.3	Pad Layout	3
1.3.1	Pad layout diagram	3
1.3.2	Pad coordinates	3
1.4	Pad Description	3
<b>CHAPTER 2</b>	<b>POWER SUPPLY AND INITIAL RESET</b>	<b>4</b>
2.1	Power Supply	4
2.2	Initial Reset	6
2.2.1	Oscillation detection circuit	6
2.2.2	Reset terminal (RESET)	6
2.2.3	Simultaneous high input to input ports (K00–K03)	6
2.2.4	Internal register following initialization	7
2.3	Test Terminal (TEST)	7
<b>CHAPTER 3</b>	<b>CPU, ROM, RAM</b>	<b>8</b>
3.1	CPU	8
3.2	ROM	8
3.3	RAM	8
<b>CHAPTER 4</b>	<b>PERIPHERAL CIRCUITS AND OPERATION</b>	<b>9</b>
4.1	Memory Map	9
4.2	Oscillation Circuit	11
4.2.1	Crystal oscillation circuit	11
4.2.2	CR oscillation circuit	11
4.3	Input Port (K00–K03)	12
4.3.1	Configuration of input port	12
4.3.2	Interrupt function	12
4.3.3	Mask option	13
4.3.4	I/O memory of input port	14
4.3.5	Programming note	14
4.4	Output Port (R00–R03)	15
4.4.1	Configuration of output port	15
4.4.2	Mask option	15
4.4.3	I/O memory of output port	17
4.4.4	Programming note	18
4.5	LCD Driver (COM0–COM3, SEG0–SEG14)	19
4.5.1	Configuration of LCD driver	19
4.5.2	Cadence adjustment of oscillation frequency	24
4.5.3	Mask option	25
4.5.4	I/O memory of LCD driver	26
4.5.5	Programming note	26

4.6	<i>Clock Timer</i> .....	27
4.6.1	<i>Configuration of clock timer</i> .....	27
4.6.2	<i>Interrupt function</i> .....	27
4.6.3	<i>Mask option</i> .....	28
4.6.4	<i>I/O memory of clock timer</i> .....	28
4.6.5	<i>Programming notes</i> .....	29
4.7	<i>Interrupt and HALT</i> .....	30
4.7.1	<i>Interrupt factors</i> .....	31
4.7.2	<i>Specific masks for interrupt</i> .....	31
4.7.3	<i>Interrupt vectors</i> .....	32
4.7.4	<i>I/O memory of interrupt</i> .....	32
4.7.5	<i>Programming notes</i> .....	33
<b>CHAPTER 5 BASIC EXTERNAL WIRING DIAGRAM</b> .....		<b>34</b>
<b>CHAPTER 6 ELECTRICAL CHARACTERISTICS</b> .....		<b>36</b>
6.1	<i>Absolute Maximum Rating</i> .....	36
6.2	<i>Recommended Operating Conditions</i> .....	36
6.3	<i>DC Characteristics</i> .....	37
6.4	<i>Analog Circuit Characteristics and Current Consumption</i> .....	38
6.5	<i>Oscillation Characteristics</i> .....	40
<b>CHAPTER 7 CERAMIC PACKAGE FOR TEST SAMPLES</b> .....		<b>41</b>
<b>CHAPTER 8 PRECAUTIONS ON MOUNTING</b> .....		<b>42</b>

# CHAPTER 1 INTRODUCTION

The E0C6003 Series single-chip microcomputer features an E0C6200B CMOS 4-bit CPU as the core. It contains a 768 (words)  $\times$  12 (bits) ROM, 64 (words)  $\times$  4 (bits) RAM, LCD driver, 4-bit input port (K00–K03), 4-bit output port (R00–R03) and a timer.

The E0C6003 Series is configured as follows, depending on the supply voltage.

**E0C6003:** 3.0 V (1.8 to 3.6 V)

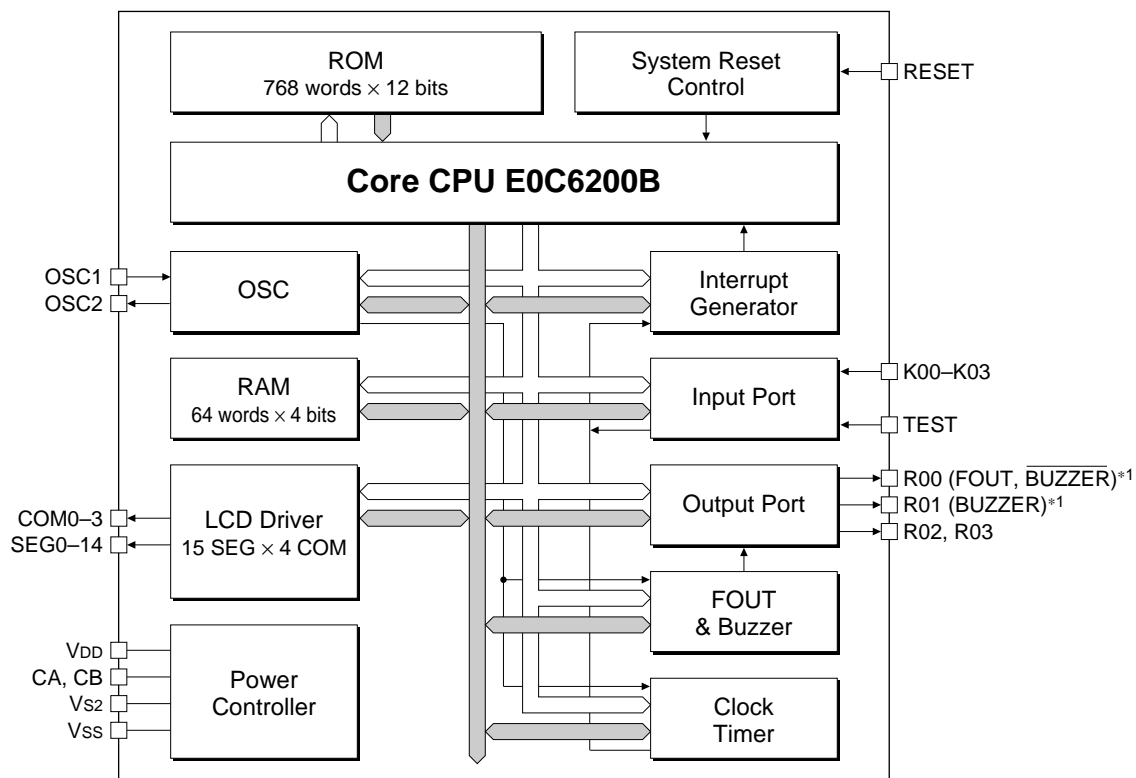
**E0C60L03:** 1.5 V (1.2 to 2.0 V)

## 1.1 Features

---

Core CPU .....	E0C6200B	
Built-in oscillation circuit .....	Crystal 32.768 kHz (Typ.) or CR oscillation circuit 65 kHz (Typ.)	
Instruction set .....	100 instructions	
ROM capacity .....	768 words $\times$ 12 bits	
RAM capacity .....	64 words $\times$ 4 bits	
Input port .....	4 bits (pull-down resistors are available by mask option)	
Output ports .....	4 bits (clock and buzzer outputs are possible by mask option)	
LCD driver .....	15 segments $\times$ 4, 3 or 2 commons (1/4, 1/3 or 1/2 duty are selectable by mask option)	
Timer .....	1 system (clock timer) built-in	
Interrupt .....	External: Input port interrupt	1 system
	Internal: Timer interrupt	1 system
Supply voltage .....	1.5 V (1.2 to 2.0 V)	E0C60L03
	3.0 V (1.8 to 3.6 V)	E0C6003
Current consumption (Typ.) .....	During HALT:	1.0 $\mu$ A (32 kHz crystal, with power divider OFF)
	During execution:	2.5 $\mu$ A (32 kHz crystal, with power divider OFF)
		15 $\mu$ A (32 kHz crystal, with power divider ON)
Supply form .....	Chip	

## 1.2 Block Diagram



\*1: Terminal specifications can be selected by mask option.

Fig. 1.2.1 E0C6003 block diagram

## 1.3 Pad Layout

### 1.3.1 Pad layout diagram

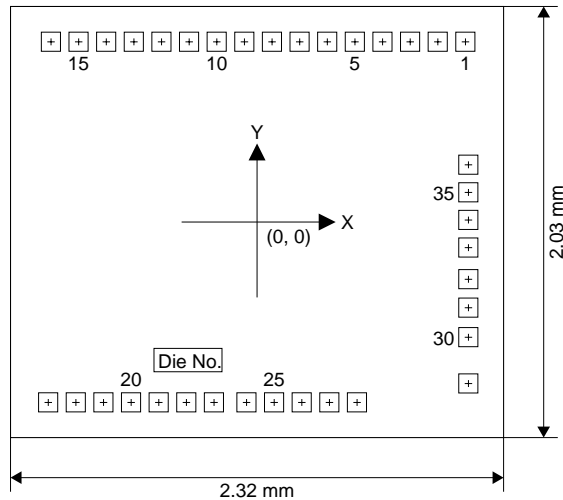


Fig. 1.3.1.1 Pad layout

Chip thickness: 400  $\mu\text{m}$   
Pad opening: 95  $\mu\text{m}$

### 1.3.2 Pad coordinates

Table 1.3.2.1 Pad coordinates (unit:  $\mu\text{m}$ )

No.	Pad name	X	Y	No.	Pad name	X	Y	No.	Pad name	X	Y
1	TEST	980	849	13	SEG3	-580	849	25	OSC2	80	-849
2	SEG14	850	849	14	SEG2	-710	849	26	OSC1	210	-849
3	SEG13	720	849	15	SEG1	-840	849	27	V <sub>DD</sub>	340	-849
4	SEG12	590	849	16	SEG0	-970	849	28	RESET	470	-849
5	SEG11	460	849	17	COM0	-983	-849	29	R00	994	-760
6	SEG10	330	849	18	COM1	-853	-849	30	R01	994	-542
7	SEG9	200	849	19	COM2	-723	-849	31	R02	994	-403
8	SEG8	70	849	20	COM3	-593	-849	32	R03	994	-269
9	SEG7	-60	849	21	CA	-463	-849	33	K00	994	-120
10	SEG6	-190	849	22	CB	-333	-849	34	K01	994	10
11	SEG5	-320	849	23	V <sub>S2</sub>	-203	-849	35	K02	994	140
12	SEG4	-450	849	24	V <sub>SS</sub>	-50	-849	36	K03	994	270

## 1.4 Pad Description

Table 1.4.1 Pad description

Pad name	Pad No.	I/O	Function
V <sub>DD</sub>	27	(I)	Power supply terminal (+)
V <sub>SS</sub>	24	(I)	Power supply terminal (-)
V <sub>S2</sub>	23	O	LCD system voltage doubler (2·V <sub>SS</sub> )/halver (V <sub>SS</sub> /2) output
CA, CB	21, 22	-	Booster capacitor connecting terminal
OSC1	26	I	Crystal or CR oscillation input terminal *
OSC2	25	O	Crystal or CR oscillation output terminal *
K00-03	33-36	I	Input port terminal
R00	29	O	Output port terminal, BUZZER or FOUT output terminal *
R01	30	O	Output port terminal or BUZZER output terminal *
R02, R03	31, 32	O	Output port terminal
SEG0-14	2-16	O	LCD segment output or DC output terminal *
COM0-3	17-20	O	LCD common output terminal (1/4, 1/3 or 1/2 duty are selectable *)
RESET	28	I	Initial reset input terminal
TEST	1	I	Test input terminal

\* Can be selected by mask option

# CHAPTER 2 POWER SUPPLY AND INITIAL RESET

## 2.1 Power Supply

With a single external power supply (\*) supplied to VDD through VSS, the E0C6003 Series generates the necessary internal voltages with the voltage doubler/halver and power divider.

\* Supply voltage: E0C6003 ... 3.0 V E0C60L03 ... 1.5 V

Figure 2.1.1 shows the basic configuration of the power divider and voltage doubler/halver.

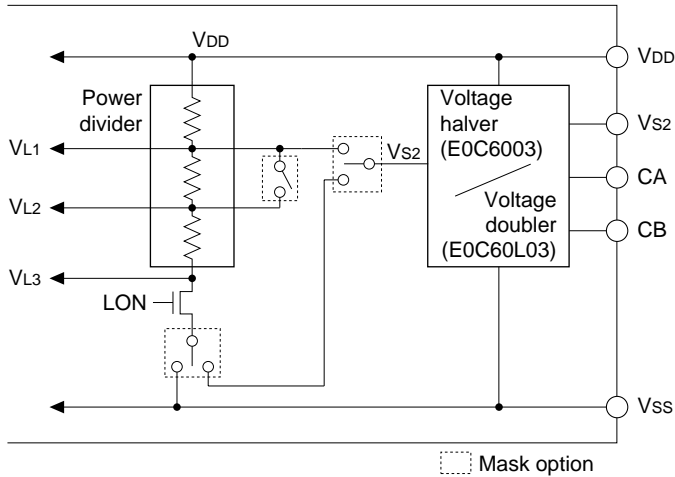


Fig. 2.1.1 Basic configuration of the power divider and voltage doubler/halver

The power divider and voltage doubler/halver generate the LCD drive voltage (VL1, VL2, VL3). The circuit is configured according to the model and the LCD drive bias selected by mask option. The LCD drive bias can be selected from 1/3 bias, 1/2 bias (A) and 1/2 bias (B).

### For E0C6003

When 1/3 bias or 1/2 bias (A) is selected, the power divider is used to generate VL1 and VL2 by dividing the source voltage with the resistors. The voltage doubler/halver is not used. In the E0C6003, this selection can reduce the external component count.

When 1/2 bias (B) is selected in the E0C6003, the voltage halver is used to generate VL1 and VL2 and the power divider is disconnected. This selection can reduce current consumption, but two external capacitors are necessary for the voltage halver.

In the E0C6003, the voltage doubler is not used.

Figure 2.1.2 shows the power circuit configuration of the E0C6003 according to the selected mask option.

### For E0C60L03

The E0C60L03 always uses the voltage doubler to generate the LCD drive voltage from 1.5 V source voltage. The voltage halver is not used.

When 1/3 bias or 1/2 bias (A) is selected, the power divider is used to generate VL1 and VL2 by dividing the VLS2 voltage generated by the voltage doubler.

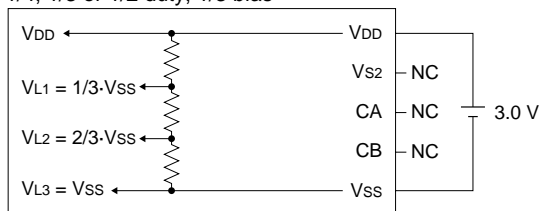
When 1/2 bias (B) is selected in the E0C60L03, the power divider is not used.

Figure 2.1.3 shows the power circuit configuration of the E0C60L03 according to the selected mask option.



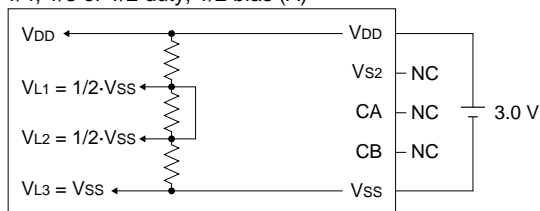
**E0C6003**

3 V LCD Panel  
1/4, 1/3 or 1/2 duty, 1/3 bias



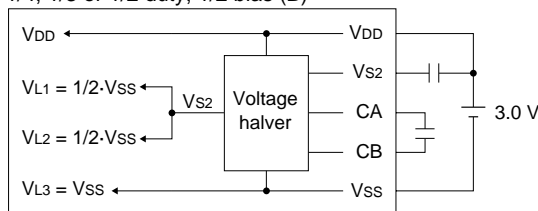
Note: VL3 is shorted to VSS internally.

3 V LCD Panel  
1/4, 1/3 or 1/2 duty, 1/2 bias (A)



Note: VL3-VSS and VL1-VL2 are shorted internally.

3 V LCD Panel  
1/4, 1/3 or 1/2 duty, 1/2 bias (B)

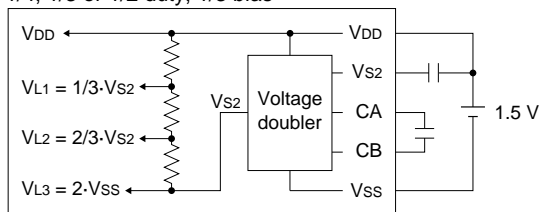


Note: VL3-VSS and VL1-VL2 are shorted internally.

Fig. 2.1.2 Power circuit configuration of E0C6003

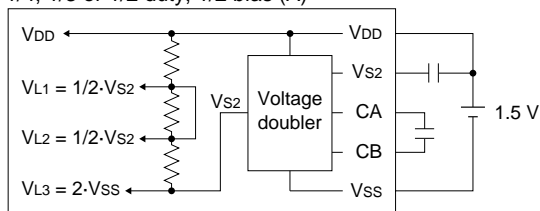
**E0C60L03**

3 V LCD Panel  
1/4, 1/3 or 1/2 duty, 1/3 bias



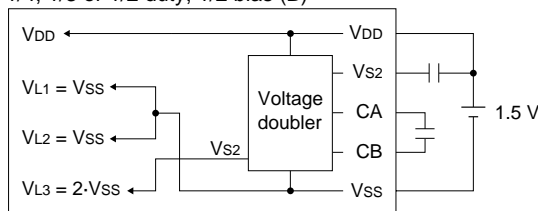
Note: VL3 is shorted to Vs2 internally.

3 V LCD Panel  
1/4, 1/3 or 1/2 duty, 1/2 bias (A)



Note: VL3-Vs2 and VL1-VL2 are shorted internally.

3 V LCD Panel  
1/4, 1/3 or 1/2 duty, 1/2 bias (B)



Note: VL3-Vs2 and VL1-VL2 are shorted internally.

Fig. 2.1.3 Power circuit configuration of E0C60L03

## 2.2 Initial Reset

To initialize the E0C6003 Series circuits, an initial reset must be executed. There are three ways of doing this.

- (1) Initial reset by the oscillation detection circuit (Note)
- (2) External initial reset via the RESET terminal
- (3) External initial reset by simultaneous high input to K00–K03 (depending on mask option)

Figure 2.2.1 shows the configuration of the initial reset circuit.

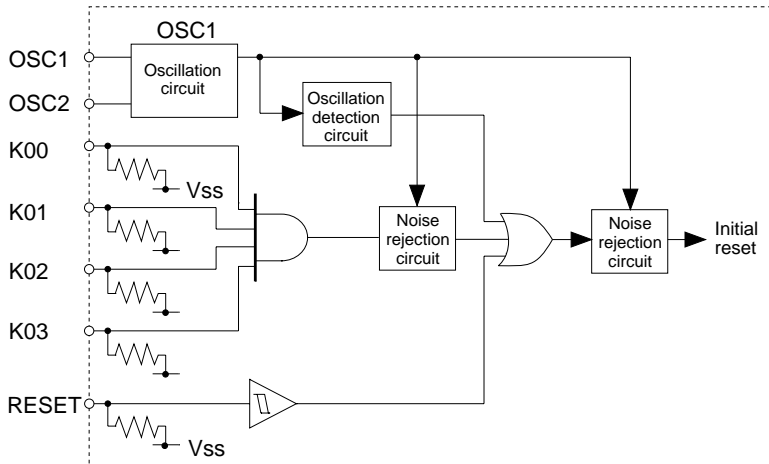


Fig. 2.2.1 Configuration of initial reset circuit

*Note:* Be sure to use reset function (2) or (3) at power-on because the initial reset function by the oscillation detection circuit (1) may not operate normally depending on the power-on procedure.

### 2.2.1 Oscillation detection circuit

The oscillation detection circuit outputs the initial reset signal at power-on until the oscillation circuit starts oscillating, or when the oscillation circuit stops oscillating for some reason. However, use the following reset functions at power-on because the initial reset function by the oscillation detection circuit may not operate normally depending on the power-on procedure.

### 2.2.2 Reset terminal (RESET)

An initial reset can be invoked externally by making the reset terminal high. This high level must be maintained for at least 5 msec (when oscillating frequency  $f_{osc} = 32$  kHz), because the initial reset circuit contains a noise rejection circuit. When the reset terminal goes low the CPU begins to operate.

### 2.2.3 Simultaneous high input to input ports (K00–K03)

Another way of invoking an initial reset externally is to input a high signal simultaneously to the input ports (K00–K03) selected with the mask option. The specified input port terminals must be kept high for at least 4 sec (when oscillating frequency  $f_{osc} = 32$  kHz), because of the noise rejection circuit. Table 2.2.3.1 shows the combinations of input ports (K00–K03) that can be selected with the mask option.

Table 2.2.3.1 Input port combinations

A	Not used
B	K00*K01
C	K00*K01*K02
D	K00*K01*K02*K03

When, for instance, mask option D (K00\*K01\*K02\*K03) is selected, an initial reset is executed when the signals input to the four ports K00–K03 are all high at the same time.

When this function is used, make sure that the specified ports do not go high at the same time during normal operation.

### 2.2.4 Internal register following initialization

An initial reset initializes the CPU as shown in the table below.

Table 2.2.4.1 Initial values

CPU Core			
Name	Symbol	Bit size	Initial value
Program counter step	PCS	8	00H
Program counter page	PCP	4	1H
New page pointer	NPP	4	1H
Stack pointer	SP	8	Undefined
Index register X	X	8	Undefined
Index register Y	Y	8	Undefined
Register pointer	RP	4	Undefined
General-purpose register A	A	4	Undefined
General-purpose register B	B	4	Undefined
Interrupt flag	I	1	0
Decimal flag	D	1	0
Zero flag	Z	1	Undefined
Carry flag	C	1	Undefined

Peripheral Circuits		
Name	Bit size	Initial value
RAM	64 × 4	Undefined
Display memory	16 × 4	Undefined
Other peripheral circuits	–	*

\* See Section 4.1, "Memory Map".

### 2.3 Test Terminal (TEST)

This terminal is used when IC is inspected for shipment. During normal operation connect it to Vss.

# CHAPTER 3 CPU, ROM, RAM

## 3.1 CPU

The E0C6003 Series employs the E0C6200B core CPU, so that register configuration, instructions, and so forth are virtually identical to those in other processors in the family using the E0C6200/6200A/6200B. Refer to the "E0C6200/6200A Core CPU Manual" for details of the E0C6200B.

Note the following points with regard to the E0C6003 Series:

- (1) Since the E0C6003 Series don't provides the SLEEP function, the SLP instruction can not be used.
- (2) Because the ROM capacity is 768 words, 12 bits per word, bank bits are unnecessary, and PCB and NBP are not used.
- (3) The RAM page is set to 0 only, so the page part (XP, YP) of the index register that specifies addresses is invalid.

```
PUSH XP    POP XP    LD XP,r    LD r,XP
PUSH YP    POP YP    LD YP,r    LD r,YP
```

## 3.2 ROM

The built-in ROM, a mask ROM for the program, has a capacity of 768 × 12-bit steps. The program area is 3 pages (0–2), each consisting of 256 steps (00H–FFH). After an initial reset, the program start address is set to page 1, step 00H. The interrupt vectors are allocated to page 1, steps 01H–07H.

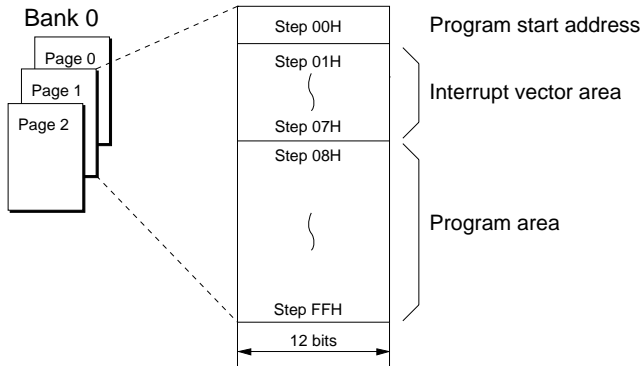


Fig. 3.2.1 ROM configuration

## 3.3 RAM

The RAM, a data memory for storing a variety of data, has a capacity of 64 words, 4-bit words. When programming, keep the following points in mind:

- (1) Part of the data memory is used as stack area when saving subroutine return addresses and registers, so be careful not to overlap the data area and stack area.
- (2) Subroutine calls and interrupts take up three words on the stack.
- (3) Data memory 000H–00FH is the memory area pointed by the register pointer (RP).

## CHAPTER 4 PERIPHERAL CIRCUITS AND OPERATION

Peripheral circuits (timer, I/O, and so on) of the E0C6003 Series are memory mapped. Thus, all the peripheral circuits can be controlled by using memory operations to access the I/O memory. The following sections describe how the peripheral circuits operate.

### 4.1 Memory Map

The data memory of the E0C6003 Series has an address space of 89 words, of which 16 words are allocated to display memory and 9 words, to I/O memory. Figure 4.1.1 show the overall memory map for the E0C6003 Series, and Table 4.1.1, the memory maps for the peripheral circuits (I/O space).

Address	Low																	
	Page	High	0	1	2	3	4	5	6	7	8	9	A	B	C	D	E	F
0	0	M0	M1	M2	M3	M4	M5	M6	M7	M8	M9	MA	MB	MC	MD	ME	MF	
	1	RAM area (000H–03FH) 64 words × 4 bits (R/W)																
	2																	
	3																	
	4																	
	5	Unused area																
	6																	
	7																	
	8																	
	9																	
	A																	
	B																	
	C																	
	D	Display memory areas (0E0H–0EFH) 16 words × 4 bits (W only)																
	E	I/O memory See Table 4.1.1																
	F	Unused area																

Fig. 4.1.1 Memory map

**Note:** Memory is not mounted in unused area within the memory map and in memory area not indicated in this chapter. For this reason, normal operation cannot be assured for programs that have been prepared with access to these areas.

Table 4.1.1 I/O memory map

Address	Register				Name	Init *1	1	0	Comment
	D3	D2	D1	D0					
0F0H	K03	K02	K01	K00	K03	- *2	High	Low	K0 input port data
					K02	- *2	High	Low	
	R				K01	- *2	High	Low	
					K00	- *2	High	Low	
0F1H	R03	R02	R01	R00	R03	0	High	Low	R03 output port data
				FOUT	R02	0	High	Low	R02 output port data
			BUZZER	BUZZER	R01	0	High	Low	R01 output port data
	R/W				BUZZER	0	On	Off	Buzzer output On/Off control
					R00	0	High	Low	R00 output port data
					FOUT	0	On	Off	FOUT output On/Off control
				BUZZER	0	On	Off	Buzzer inverted output On/Off control	
0F2H	TM3	TM2	TM1	TM0	TM3	- *2			Clock timer data (2 Hz)
					TM2	- *2			Clock timer data (4 Hz)
	R				TM1	- *2			Clock timer data (8 Hz)
					TM0	- *2			Clock timer data (16 Hz)
0F3H	EIK03	EIK02	EIK01	EIK00	EIK03	0	Enable	Mask	Interrupt mask register (K03)
					EIK02	0	Enable	Mask	Interrupt mask register (K02)
	R/W				EIK01	0	Enable	Mask	Interrupt mask register (K01)
					EIK00	0	Enable	Mask	Interrupt mask register (K00)
0F4H	TMRST	EIT2	EIT16	EIT32	TMRST *3	Reset	Reset	-	Clock timer reset
					EIT2	0	Enable	Mask	Interrupt mask register (clock timer 2 Hz)
	W	R/W			EIT16	0	Enable	Mask	Interrupt mask register (clock timer 16 Hz)
					EIT32	0	Enable	Mask	Interrupt mask register (clock timer 32 Hz)
0F5H	0	0	0	IK0	0 *3	- *2	-	-	Unused
					0 *3	- *2	-	-	Unused
	R				0 *3	- *2	-	-	Unused
					IK0 *4	0	Yes	No	Interrupt factor flag (K00-K03)
0F6H	0	IT2	IT16	IT32	0 *3	- *2	-	-	Unused
					IT2 *4	0	Yes	No	Interrupt factor flag (clock timer 2 Hz)
	R				IT16 *4	0	Yes	No	Interrupt factor flag (clock timer 16 Hz)
					IT32 *4	0	Yes	No	Interrupt factor flag (clock timer 32 Hz)
0F7H	XBZR	0	XFOUT1	XFOUT0	XBZR	0	2 kHz	4 kHz	Buzzer frequency control
					0 *3	- *2	-	-	Unused
	R/W	R	R/W		XFOUT1	0			FOUT frequency control
					XFOUT0	0			0: F1, 1: F2, 2: F3, 3: F4
0F8H	LON	0	0	CSDC	LON	0	On	Off	LCD power and display On/Off control
					0 *3	- *2	-	-	Unused
					0 *3	- *2	-	-	Unused
	R/W	R		R/W	CSDC	0	Static	Dynamic	LCD drive switch

\*1 Initial value at initial reset

\*2 Not set in the circuit

\*3 Always "0" being read

\*4 Reset (0) immediately after being read

## 4.2 Oscillation Circuit

The E0C6003 Series has a built-in oscillation circuit that generates the operating clock of the CPU and the peripheral circuit. Either crystal oscillation or CR oscillation can be selected for the oscillation circuit by mask option.

### 4.2.1 Crystal oscillation circuit

The crystal oscillation circuit can be selected by mask option. The oscillation frequency ( $f_{osc}$ ) is 32.768 kHz (Typ.).

Figure 4.2.1.1 shows the configuration of the crystal oscillation circuit.

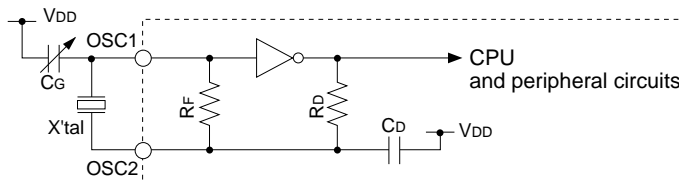


Fig. 4.2.1.1 Configuration of crystal oscillation circuit

As Figure 4.2.1.1 indicates, the crystal oscillation circuit can be configured simply by connecting the crystal oscillator  $X'tal$  (Typ. 32.768 kHz) between the OSC1 and OSC2 terminals and the trimmer capacitor  $C_G$  (5–25 pF) between the OSC1 and  $V_{DD}$  terminals.

*Note:* The OSC1 and OSC2 terminals on the board should be shielded with the  $V_{DD}$  (+ side).

### 4.2.2 CR oscillation circuit

The CR oscillation circuit can also be selected by mask option. The oscillation frequency ( $f_{osc}$ ) is 65 kHz (Typ.).

Figure 4.2.2.1 shows the configuration of the CR oscillation circuit.

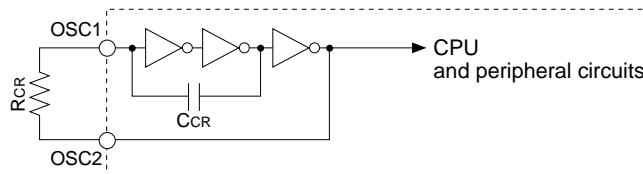


Fig. 4.2.2.1 Configuration of CR oscillation circuit

As Figure 4.2.2.1 indicates, the CR oscillation circuit can be configured simply by connecting the resistor  $R_{CR}$  between terminals OSC1 and OSC2 since capacity ( $C_{CR}$ ) is built-in. See Chapter 6, "Electrical Characteristics" for  $R_{CR}$  value.

### 4.3 Input Port (K00–K03)

#### 4.3.1 Configuration of input port

The E0C6003 Series has a 4-bit general-purpose input port. Each of the input port terminals (K00–K03) has an internal pull-down resistor. The pull-down resistor can be selected for each bit with the mask option.

Figure 4.3.1.1 shows the configuration of input port.

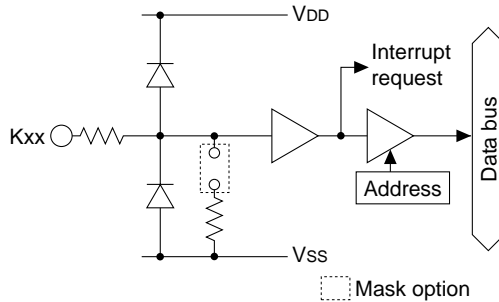


Fig. 4.3.1.1 Configuration of input port

Selecting "pull-down resistor enabled" with the mask option allows input from a push button, key matrix, and so forth. When "pull-down resistor disabled" is selected, the port can be used for slide switch input and interfacing with other LSIs.

#### 4.3.2 Interrupt function

All four input port bits (K00–K03) provide the interrupt function. The conditions for issuing an interrupt can be set by the software for the four bits. Also, whether to mask the interrupt function can be selected individually for all four bits by the software. Figure 4.3.2.1 shows the configuration of K00–K03.

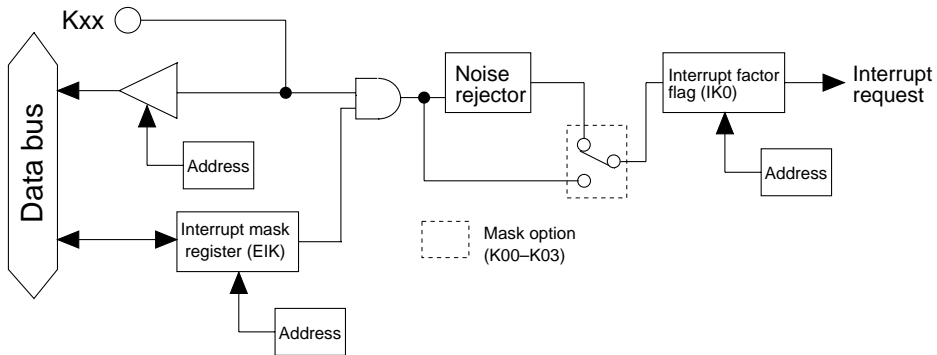
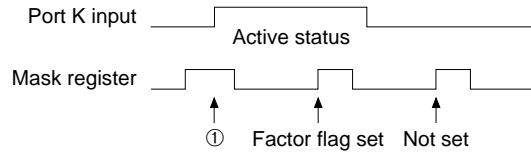


Fig. 4.3.2.1 Input interrupt circuit configuration (K00–K03)

The interrupt mask registers (EIK00–EIK03) enable the interrupt mask to be selected individually for K00–K03. An interrupt occurs when the input value which are not masked change and the interrupt factor flag (IK0) is set to 1.



### Input interrupt programming related precautions



When the content of the mask register is rewritten, while the port K input is in the active status. The input interrupt factor flag is set at ①.

*Fig. 4.3.2.2 Input interrupt timing*

When using an input interrupt, if you rewrite the content of the mask register, when the value of the input terminal which becomes the interrupt input is in the active status (input terminal = high status), the factor flag for input interrupt may be set.

For example, a factor flag is set with the timing of ① shown in Figure 4.3.2.2. However, when clearing the content of the mask register with the input terminal kept in the high status and then setting it, the factor flag of the input interrupt is again set at the timing that has been set.

Consequently, when the input terminal is in the active status (high status), do not rewrite the mask register (clearing, then setting the mask register), so that a factor flag will only set at the rising edge in this case. When clearing, then setting the mask register, set the mask register, when the input terminal is not in the active status (low status).

### 4.3.3 Mask option

The contents that can be selected with the input port mask option are as follows:

- (1) An internal pull-down resistor can be selected for each of the four bits of the input ports (K00–K03). Having selected "pull-down resistor disabled", take care that the input does not float. Select "pull-down resistor enabled" for input ports that are not being used.
- (2) The input interrupt circuit contains a noise rejection circuit to prevent interrupts from occurring through noise. The mask option enables selection of the noise rejection circuit for each separate terminal series. When "use" is selected, a maximum delay of 0.5 msec ( $f_{osc} = 32 \text{ kHz}$ ) occurs from the time an interrupt condition is established until the interrupt factor flag (IK0) is set to 1.

### 4.3.4 I/O memory of input port

Table 4.3.4.1 list the input port control bits and their addresses.

Table 4.3.4.1 Input port control bits

Address	Register								Comment
	D3	D2	D1	D0	Name	Init *1	1	0	
0F0H	K03	K02	K01	K00	K03	-*2	High	Low	K0 input port data
	R				K02	-*2	High	Low	
					K01	-*2	High	Low	
					K00	-*2	High	Low	
0F3H	EIK03	EIK02	EIK01	EIK00	EIK03	0	Enable	Mask	Interrupt mask register (K03)
	R/W				EIK02	0	Enable	Mask	Interrupt mask register (K02)
					EIK01	0	Enable	Mask	Interrupt mask register (K01)
					EIK00	0	Enable	Mask	Interrupt mask register (K00)
0F5H	0	0	0	IK0	0 *3	-*2	-	-	Unused
	R				0 *3	-*2	-	-	Unused
					0 *3	-*2	-	-	Unused
					IK0 *4	0	Yes	No	Interrupt factor flag (K00–K03)

\*1 Initial value at initial reset

\*2 Not set in the circuit

\*3 Always "0" being read

\*4 Reset (0) immediately after being read

#### K00–K03: Input port data (0F0H)

The input data of the input port terminals can be read with these registers.

When 1 is read: High level

When 0 is read: Low level

Writing: Invalid

The value read is 1 when the terminal voltage of the input port (K00–K03) goes high (VDD), and 0 when the voltage goes low (VSS). These are read only bits, so writing cannot be done.

#### EIK00–EIK03: Interrupt mask registers (0F3H)

Masking the interrupt of the input port terminals can be done with these registers.

When 1 is written: Enable

When 0 is written: Mask

Reading: Valid

With these registers, masking of the input port bits can be done for each of the four bits.

After an initial reset, these registers are all set to 0.

#### IK0: Interrupt factor flag (0F5H•D0)

This flag indicates the occurrence of an input interrupt.

When 1 is read: Interrupt has occurred

When 0 is read: Interrupt has not occurred

Writing: Invalid

The interrupt factor flag IK0 is associated with K00–K03. From the status of this flag, the software can decide whether an input interrupt has occurred.

This flag is reset when the software has read it.

Reading of interrupt factor flag is available at EI, but be careful in the following cases.

If the interrupt mask register value corresponding to the interrupt factor flag to be read is set to 1, an interrupt request will be generated by the interrupt factor flag set timing, or an interrupt request will not be generated.

After an initial reset, this flag is set to 0.

### 4.3.5 Programming note

When modifying the input port from high level to low level with pull-down resistor, a delay will occur at the fall of the waveform due to time constant of the pull-down resistor and input gate capacities. Provide appropriate waiting time in the program when performing input port reading.

## 4.4 Output Port (R00–R03)

### 4.4.1 Configuration of output port

The E0C6003 Series has a 4-bit general output port (R00–R03).

Output specification of the output port can be selected in a bit units with the mask option. Two kinds of output specifications are available: complementary output and Pch open drain output. Also, the mask option enables the output ports R00 and R01 to be used as special output ports. Figure 4.4.1.1 shows the configuration of the output port.

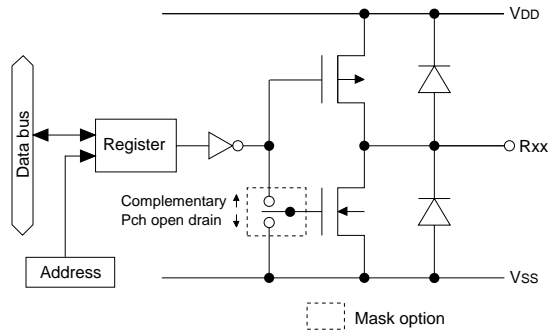


Fig. 4.4.1.1 Configuration of output port

### 4.4.2 Mask option

The mask option enables the following output port selection.

#### (1) Output specification of output port

The output specifications for the output port (R00–R03) may be either complementary output or Pch open drain output for each of the two bits. However, even when Pch open drain output is selected, a voltage exceeding the source voltage must not be applied to the output port.

#### (2) Special output

In addition to the regular DC output, special output can be selected for output ports R00 and R01, as shown in Table 4.4.2.1. Figure 4.4.2.1 shows the structure of output ports R00–R03.

Table 4.4.2.1 Special output

Output port	Special output
R00	FOUT or BUZZER output
R01	BUZZER output

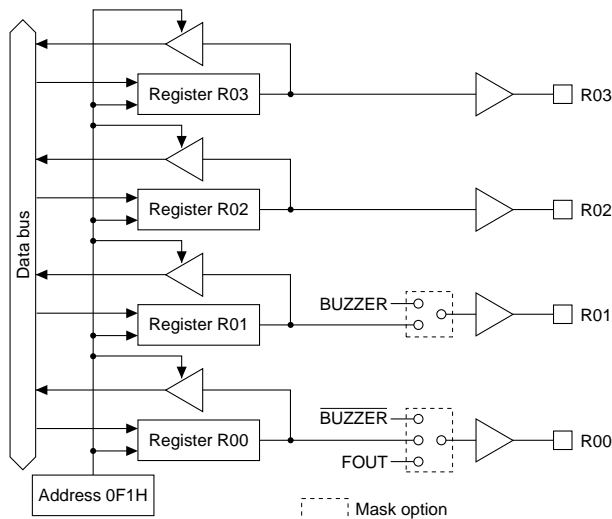


Fig. 4.4.2.1 Structure of output ports R00–R03

**FOUT (R00)**

When the output port R00 is set as the FOUT output port, the R00 will output the fosc (CPU operating clock frequency) clock or the clock that is generated by dividing the fosc clock. The clock frequency can be selected individually for F1–F4, from among 5 types by mask option; one among F1–F4 is selected by software (XFOUT register) and used.

The types of frequency which can be selected are shown in Table 4.4.2.2.

Table 4.4.2.2 FOUT clock frequency

Mask option set	Clock frequency (Hz)			
	F1 (XFOUT)=(0, 0)	F2 (XFOUT)=(0, 1)	F3 (XFOUT)=(1, 0)	F4 (XFOUT)=(1, 1)
Set 1	256 (fosc/128)	512 (fosc/64)	1,024 (fosc/32)	2,048 (fosc/16)
Set 2	512 (fosc/64)	1,024 (fosc/32)	2,048 (fosc/16)	4,096 (fosc/8)
Set 3	1,024 (fosc/32)	2,048 (fosc/16)	4,096 (fosc/8)	8,192 (fosc/4)
Set 4	2,048 (fosc/16)	4,096 (fosc/8)	8,192 (fosc/4)	16,384 (fosc/2)
Set 5	4,096 (fosc/8)	8,192 (fosc/4)	16,384 (fosc/2)	32,768 (fosc/1)

fosc = 32.768 kHz

Note: A hazard may occur when the FOUT signal is turned on or off.

**BUZZER,  $\overline{\text{BUZZER}}$  (R01, R00)**

Output ports R01 and R00 may be set to BUZZER output and  $\overline{\text{BUZZER}}$  output (BUZZER reverse output), respectively, allowing for direct driving of the piezo-electric buzzer.

The  $\overline{\text{BUZZER}}$  signal is controlled by the R00 register and the BUZZER signal is controlled by the R01 register.

The frequency of buzzer output may be selected by software to be either 2 kHz or 4 kHz.

### 4.4.3 I/O memory of output port

Table 4.4.3.1 lists the output port control bits and their addresses.

Table 4.4.3.1 Control bits of output port

Address	Register				Name	Init *1	1	0	Comment
	D3	D2	D1	D0					
0F1H	R03	R02	R01	R00	R03	0	High	Low	R03 output port data
			-----	-----	R02	0	High	Low	R02 output port data
			BUZZER	-----	R01	0	High	Low	R01 output port data
			-----	-----	BUZZER	0	On	Off	Buzzer output On/Off control
	R/W				R00	0	High	Low	R00 output port data
					FOUT	0	On	Off	FOUT output On/Off control
					BUZZER	0	On	Off	Buzzer inverted output On/Off control
0F7H	XBZR	0	XFOUT1	XFOUT0	XBZR	0	2 kHz	4 kHz	Buzzer frequency control
					0 *3	- *2	-	-	Unused
	R/W	R	R/W		XFOUT1	0			] FOUT frequency control 0: F1, 1: F2, 2: F3, 3: F4
					XFOUT0	0			

\*1 Initial value at initial reset

\*3 Always "0" being read

\*2 Not set in the circuit

\*4 Reset (0) immediately after being read

#### R00–R03: Output port data (0F1H)

Sets the output data for the output ports.

When 1 is written: High output

When 0 is written: Low output

Reading: Valid

The output port terminals output the data written to the corresponding registers (R00–R03) without changing it. When 1 is written to the register, the output port terminal goes high ( $V_{DD}$ ), and when 0 is written, the output port terminal goes low ( $V_{SS}$ ).

After an initial reset, all the registers are set to 0.

#### R00 (when FOUT is selected): Special output port data (0F1H•D0)

Controls the FOUT (fosc clock) output.

When 1 is written: Clock output

When 0 is written: Low level (DC) output

Reading: Valid

FOUT output can be controlled by writing data to R00.

After an initial reset, this register is set to 0.

Figure 4.4.3.1 shows the output waveform for FOUT output.

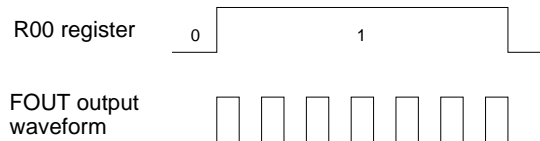


Fig. 4.4.3.1 FOUT output waveform

#### XFOUT0, XFOUT1: FOUT frequency control (0F7H•D0, D1)

Selects the output frequency when the R00 port is set for FOUT output.

Table 4.4.3.2 FOUT frequency selection

XFOUT1	XFOUT0	Frequency selected
0	0	F1
0	1	F2
1	0	F3
1	1	F4

After an initial reset, these registers are set to 0.

**R00, R01 (when buzzer output is selected): Special output port data (0F1H•D0, D1)**

Controls the buzzer output.

- When 1 is written: Buzzer output
- When 0 is written: Low level (DC) output
- Reading: Valid

$\overline{\text{BUZZER}}$  and BUZZER output can be controlled by writing data to R00 and R01.

After an initial reset, these registers are set to 0.

Figure 4.4.3.2 shows the output waveform for buzzer output.

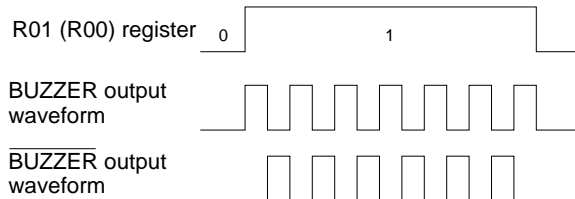


Fig. 4.4.3.2 Buzzer output waveform

**XBZR: Buzzer frequency control (0F7H•D3)**

Selects the frequency of the buzzer signal.

- When 1 is written: 2 kHz
- When 0 is written: 4 kHz
- Reading: Valid

When R00 and R01 port is set to buzzer output, the frequency of the buzzer signal can be selected by this register.

When 1 is written to this register, the frequency is set in 2 kHz, and in 4 kHz when 0 is written.

After an initial reset, this register is set to 0.

**4.4.4 Programming note**

The buzzer or FOUT signal may produce hazards when the output ports R00 and R01 are turned on or off.

## 4.5 LCD Driver (COM0–COM3, SEG0–SEG14)

### 4.5.1 Configuration of LCD driver

The E0C6003 Series has four common terminals and 15 (SEG0–SEG14) segment terminals, so that an LCD with a maximum of 60 ( $15 \times 4$ ) segments can be driven. The power for driving the LCD is generated by the CPU internal circuit, so there is no need to supply power externally.

The driving method is 1/4 duty (or 1/3, 1/2 duty by mask option) dynamic drive, adopting the four types of potential (1/3 bias),  $V_{DD}$ ,  $V_{L1}$ ,  $V_{L2}$  and  $V_{L3}$ . Moreover, the 1/2 bias dynamic drive that uses three types of potential,  $V_{DD}$ ,  $V_{L1} = V_{L2}$  and  $V_{L3}$ , can be selected by setting the mask option (drive duty can also be selected from 1/4, 1/3 or 1/2).

The LCD drive voltages  $V_{L1}$  to  $V_{L3}$  are generated by the power divider and/or voltage doubler/halver as shown in Table 4.5.1.1.

Table 4.5.1.1 LCD drive voltage

Model	Bias selection	Drive voltage			
		$V_{L1}$	$V_{L2}$	$V_{L3}$	$V_{S2}$
E0C6003	1/3 bias	$1/3 V_{SS}$	$2/3 V_{SS}$	$V_{SS}$	–
	1/2 bias (A)	$1/2 V_{SS}$	$1/2 V_{SS}$	$V_{SS}$	–
	1/2 bias (B)	$V_{S2}$	$V_{S2}$	$V_{SS}$	$1/2 V_{SS}$
E0C60L03	1/3 bias	$1/3 V_{S2}$	$2/3 V_{S2}$	$V_{S2}$	$2 V_{SS}$
	1/2 bias (A)	$1/2 V_{S2}$	$1/2 V_{S2}$	$V_{S2}$	$2 V_{SS}$
	1/2 bias (B)	$V_{SS}$	$V_{SS}$	$V_{S2}$	$2 V_{SS}$

Refer to Section 2.1, "Power Supply", for details of the power supply circuit.

The frame frequency is 32 Hz for 1/4 duty and 1/2 duty, and 42.7 Hz for 1/3 duty (in the case of  $f_{osc} = 32$  kHz).

Figures 4.5.1.1 to 4.5.1.6 show the drive waveform for each duty and bias.

*Note:* " $f_{osc}$ " indicates the oscillation frequency of the oscillation circuit.

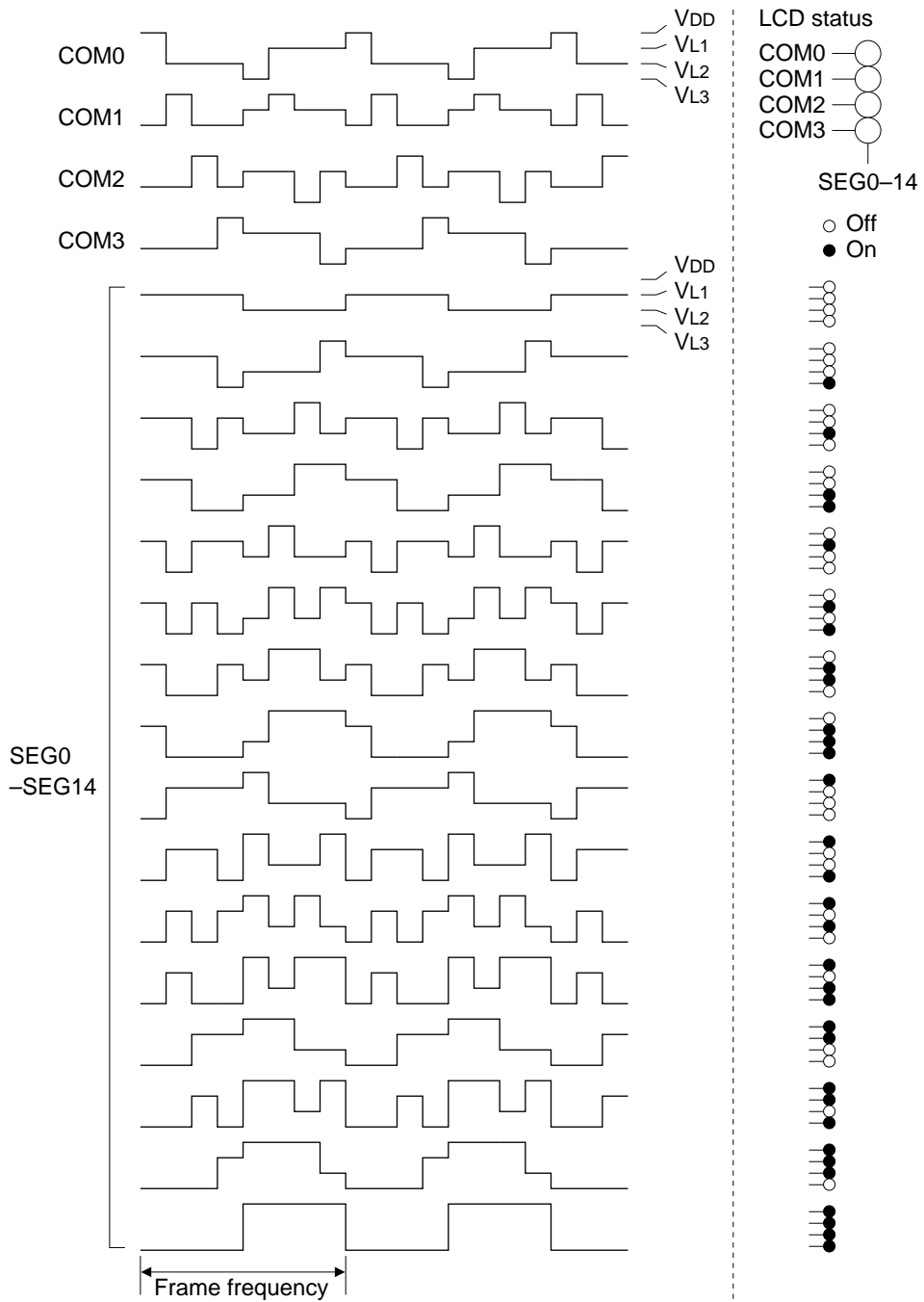


Fig. 4.5.1.1 Drive waveform for 1/4 duty (1/3 bias)



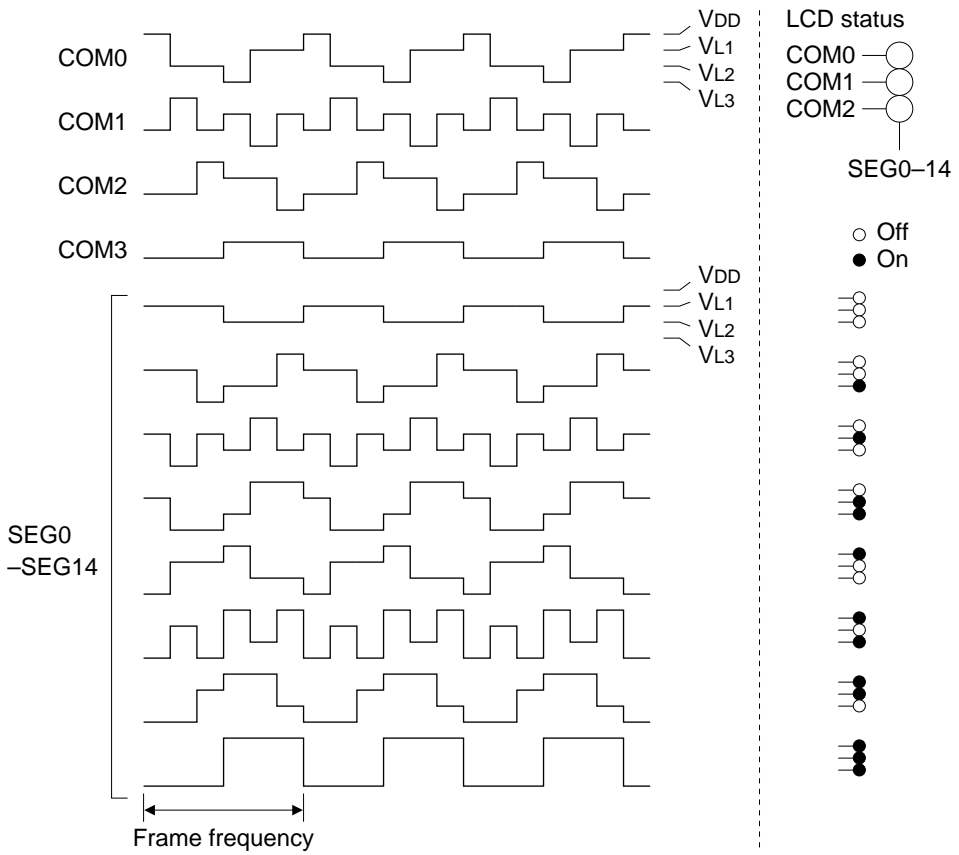


Fig. 4.5.1.2 Drive waveform for 1/3 duty (1/3 bias)

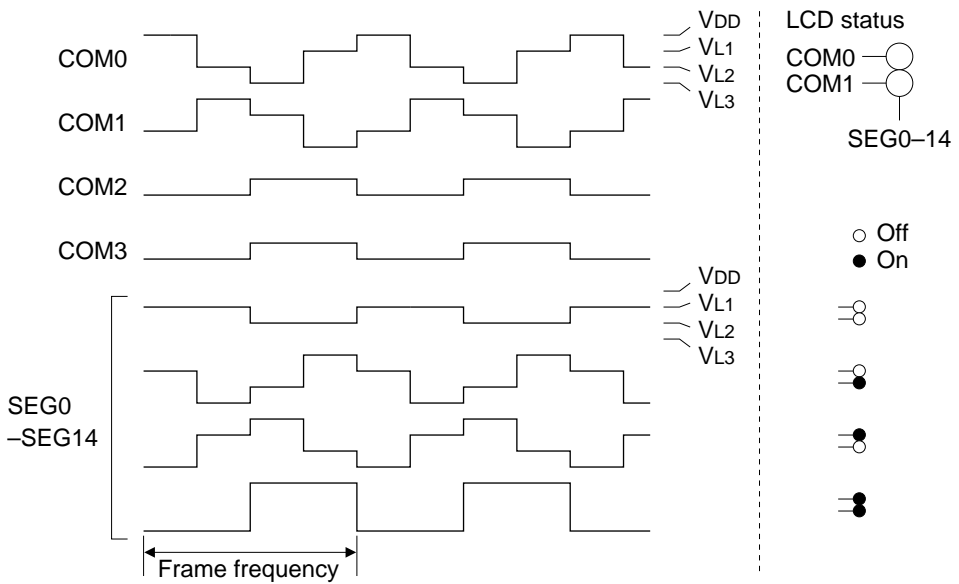


Fig. 4.5.1.3 Drive waveform for 1/2 duty (1/3 bias)

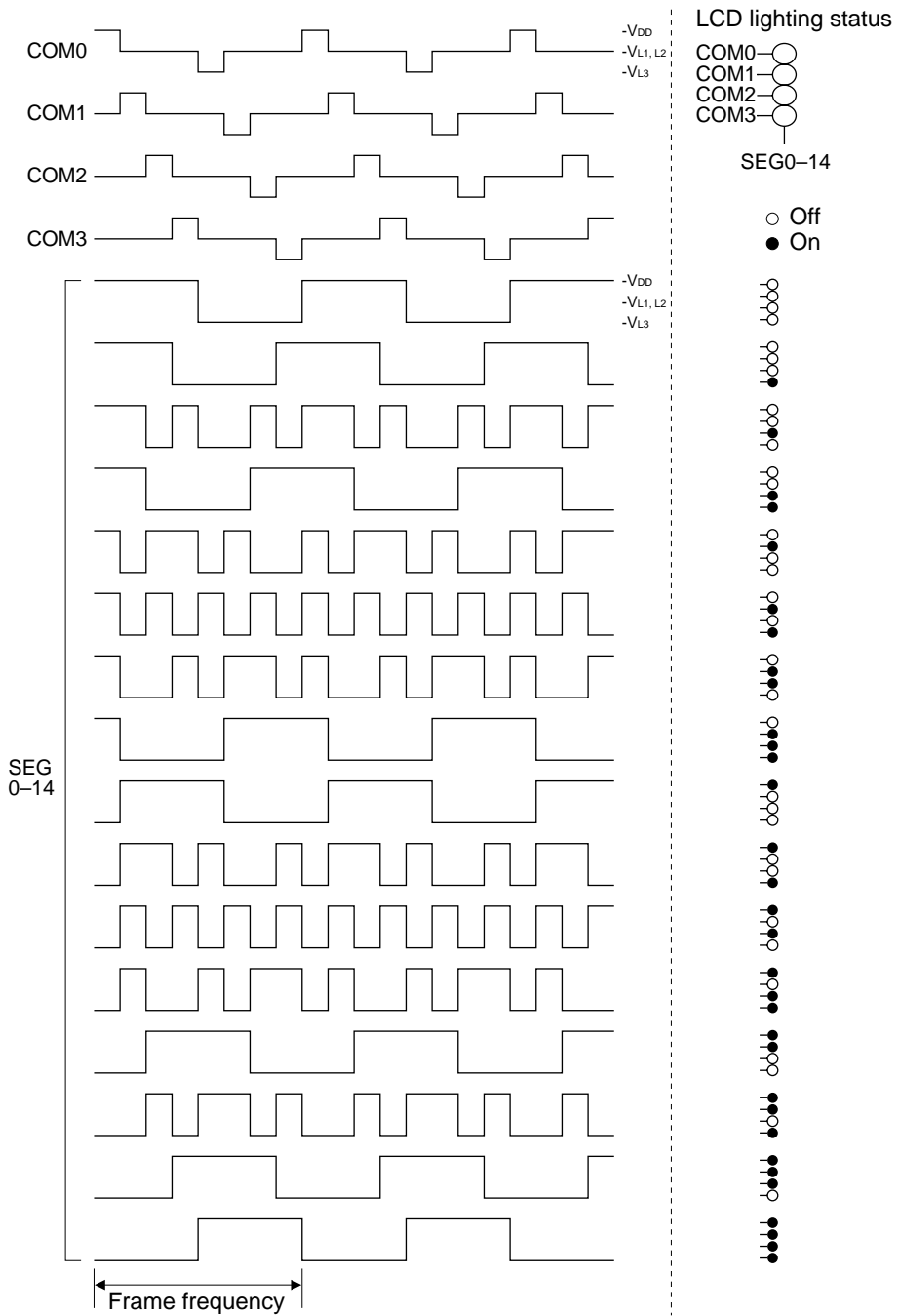


Fig. 4.5.1.4 Drive waveform for 1/4 duty (1/2 bias)

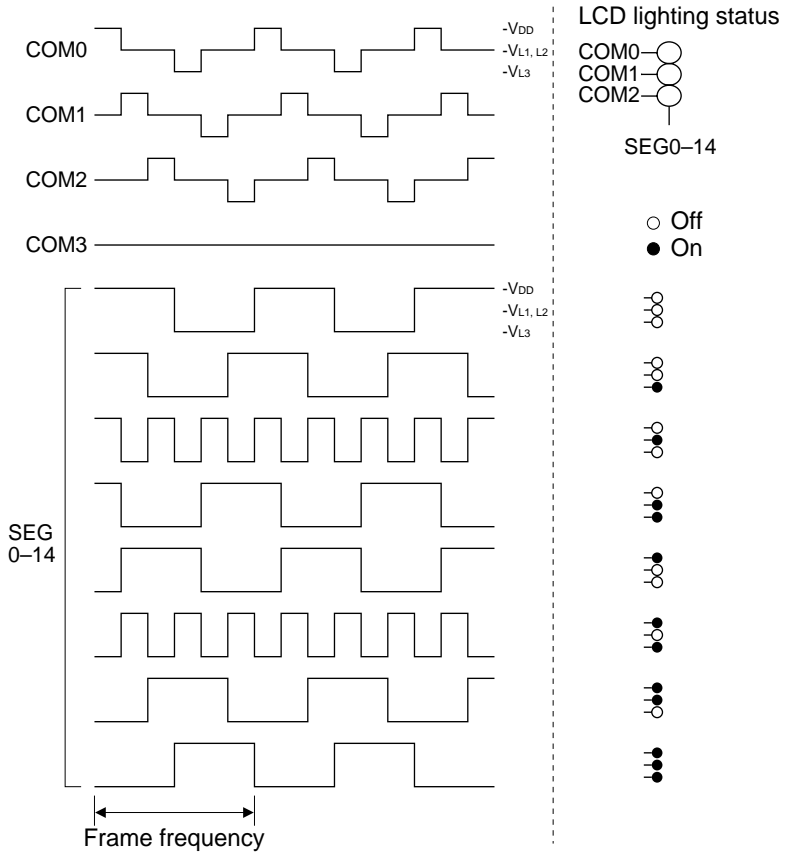


Fig. 4.5.1.5 Drive waveform for 1/3 duty (1/2 bias)

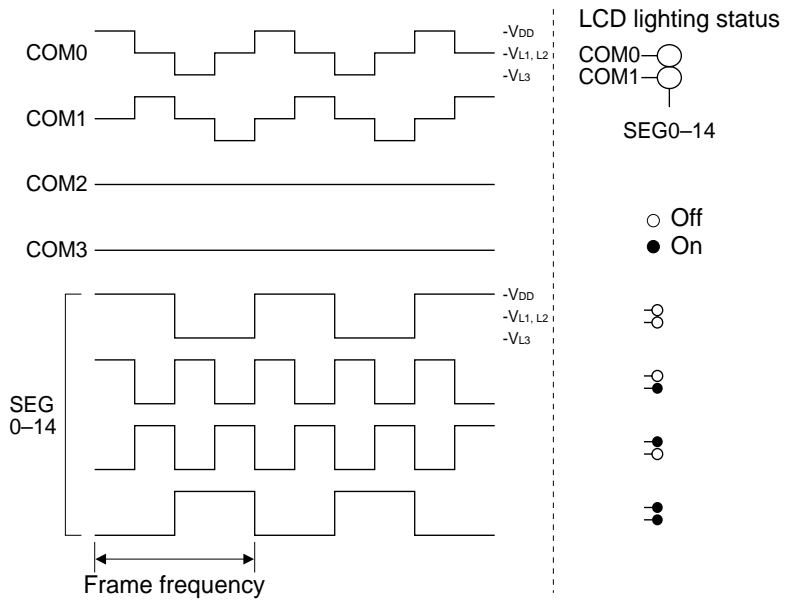


Fig. 4.5.1.6 Drive waveform for 1/2 duty (1/2 bias)

### 4.5.2 Cadence adjustment of oscillation frequency

In the E0C6003 Series, the LCD drive duty can be set to 1/1 duty by software. This function enables easy adjustment (cadence adjustment) of the oscillation frequency of the oscillation circuit.

The procedure to set to 1/1 duty drive is as follows:

- ① Write 1 to the CSDC register at address 0F8H•D0.
- ② Write the same value to all registers corresponding to COMs 0 through 3 of the display memory.

The frame frequency is 32 Hz ( $f_{osc}/1024$ , when  $f_{osc} = 32.768$  kHz).

**Note:**

- Even when 1/3 or 1/2 duty is selected by the mask option, the display data corresponding to all COM are valid during 1/1 duty driving. Hence, for 1/1 duty drive, set the same value for all display memory corresponding to COMs 0 through 3.

- For cadence adjustment, set the display data corresponding to COMs 0 through 3, so that all the LCD segments go on.

Figures 4.5.2.1 and 4.5.2.2 show the 1/1 duty drive waveform in 1/3 bias and 1/2 bias driving.

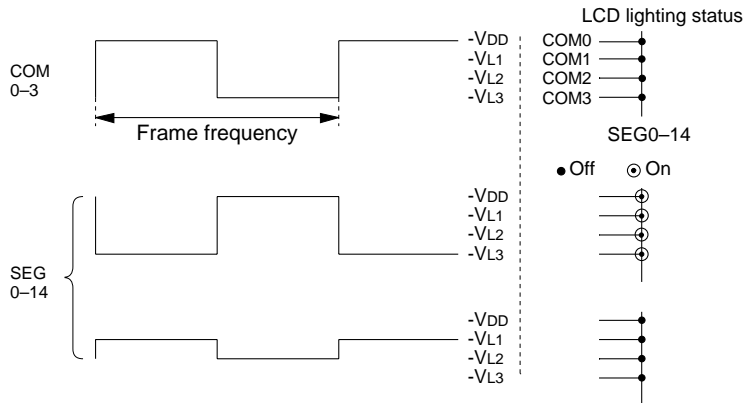


Fig. 4.5.2.1 Drive waveform for 1/1 duty (1/3 bias)

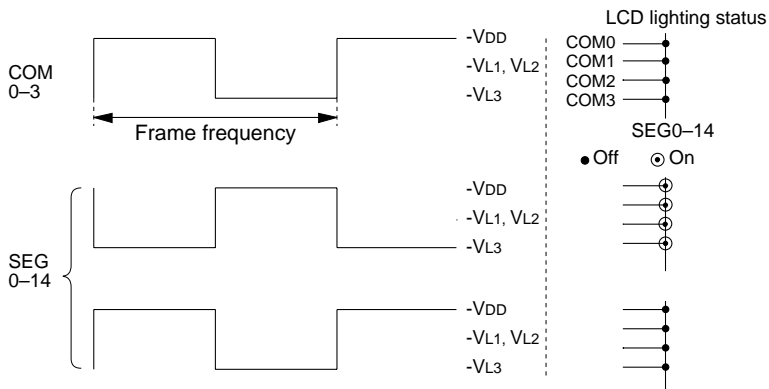


Fig. 4.5.2.2 Drive waveform for 1/1 duty (1/2 bias)

### 4.5.3 Mask option

#### (1) Segment allocation

As shown in Figure 4.1.1, display data is decided by the data written to the display memory (write-only) at address 0E0H–0EFH.

The address and bits of the display memory can be made to correspond to the segment terminals (SEG0–SEG14) in any combination through mask option. This simplifies design by increasing the degree of freedom with which the liquid crystal panel can be designed.

Figure 4.5.3.1 shows an example of the relationship between the LCD segments (on the panel) and the display memory in the case of 1/3 duty.

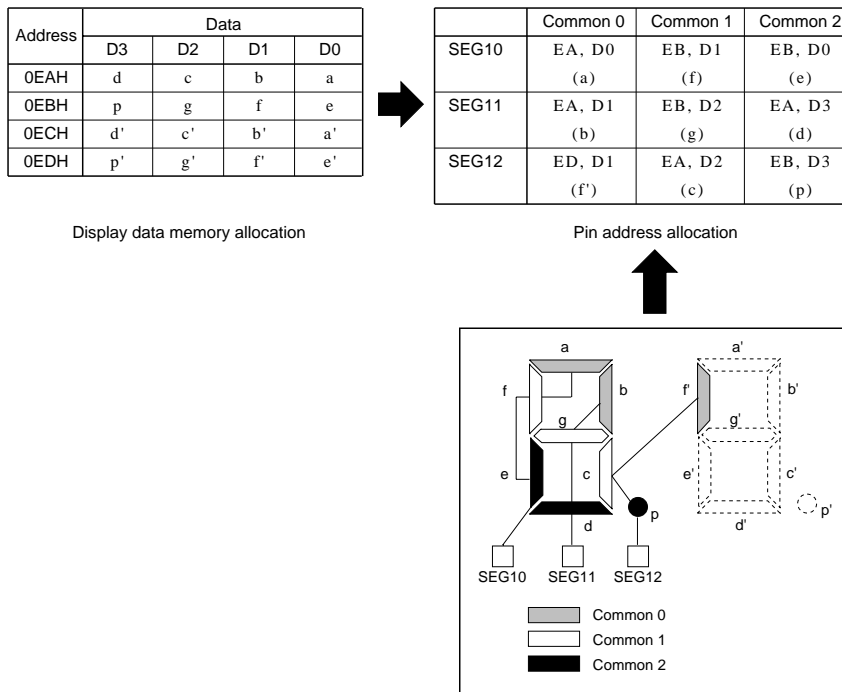


Fig. 4.5.3.1 Segment allocation

#### (2) Drive duty

According to the mask option, either 1/4, 1/3 or 1/2 duty can be selected as the LCD drive duty. Table 4.5.3.1 shows the differences in the number of segments according to the selected duty.

Table 4.5.3.1 Differences according to selected duty

Duty	COM used	Max. number of segments	Frame frequency *
1/4	COM0–COM3	60 (15 × 4)	32 Hz
1/3	COM0–COM2	45 (15 × 3)	42.7 Hz
1/2	COM0–COM1	30 (15 × 2)	32 Hz

\* When fosc = 32 kHz

#### (3) Output specification

- ① The segment terminals (SEG0–SEG14) are selected by mask option in pairs for either segment signal output or DC output (VDD and Vss binary output). When DC output is selected, the data corresponding to COM0 of each segment terminal is output.
- ② When DC output is selected, either complementary output or Pch open drain output can be selected for each terminal by mask option.

Note: The terminal pairs are the combination of SEG (2\*n) and SEG (2\*n + 1) (where n is an integer from 0 to 6).

#### (4) Drive bias

For the drive bias, either 1/3 bias or 1/2 bias can be selected by the mask option.

### 4.5.4 I/O memory of LCD driver

Table 4.5.4.1 shows the control bits of the LCD driver and their addresses. Figure 4.5.4.1 shows the display memory map.

Table 4.5.4.1 Control bits of LCD driver

Address	Register								Comment
	D3	D2	D1	D0	Name	Init *1	1	0	
0F8H	LON	0	0	CSDC	LON	0	On	Off	LCD power and display On/Off control
					0 *3	- *2	-	-	Unused
					0 *3	- *2	-	-	Unused
	R/W	R		R/W	CSDC	0	Static	Dynamic	LCD drive switch

\*1 Initial value at initial reset

\*3 Always "0" being read

\*2 Not set in the circuit

\*4 Reset (0) immediately after being read

Address	0	1	2	3	4	5	6	7	8	9	A	B	C	D	E	F
0E0	Display memory (Write only) 16 words x 4 bits															

Fig. 4.5.4.1 Display memory map

#### LON: LCD display and power divider On/Off control (0F8H•D3)

The LCD display can be turned on or off with this switch. It also controls the power divider on or off if the power divider is selected for the LCD power generator.

When 1 is written: LCD displayed

When 0 is written: LCD is all off

Reading: Valid

When the power divider is selected for the LCD power generator, power current consumption will increase if this switch is turned on.

Keep this switch off (LON = 0) when LCD display is not necessary.

After an initial reset, LCD and the power divider is turned off.

#### CSDC: LCD drive switch (0F8H•D0)

The LCD drive format can be selected with this switch.

When 1 is written: Static drive

When 0 is written: Dynamic drive

Reading: Valid

After an initial reset, dynamic drive (CSDC = 0) is selected.

#### Display memory (0E0H–0EFH)

The LCD segments are turned on or off according to this data.

When 1 is written: On

When 0 is written: Off

Reading: Invalid

By writing data into the display memory allocated to the LCD segment (on the panel), the segment can be turned on or off. After an initial reset, the contents of the display memory are undefined.

### 4.5.5 Programming note

Because the display memory is for writing only, re-writing the contents with computing instructions (e.g., AND, OR, etc.) which come with read-out operations is not possible. To perform bit operations, a buffer to hold the display data is required on the RAM.

## 4.6 Clock Timer

### 4.6.1 Configuration of clock timer

The E0C6003 Series has a built-in clock timer that uses the oscillation circuit as the clock source. The clock timer is configured as a 7-bit binary counter that counts with a 256 Hz source clock from the divider. The high-order 4 bits of the counter (16 Hz–2 Hz) can be read by the software.

Figure 4.6.1.1 is the block diagram of the clock timer.

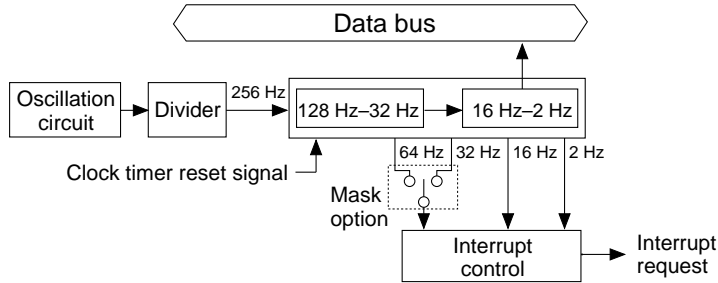


Fig. 4.6.1.1 Block diagram of clock timer

Normally, this clock timer is used for all kinds of timing purpose, such as clocks.

### 4.6.2 Interrupt function

The clock timer can generate interrupts at the falling edge of the 32 Hz (or 64 Hz), 16 Hz, and 2 Hz signals. The software can mask any of these interrupt signals.

Figure 4.6.2.1 is the timing chart of the clock timer.

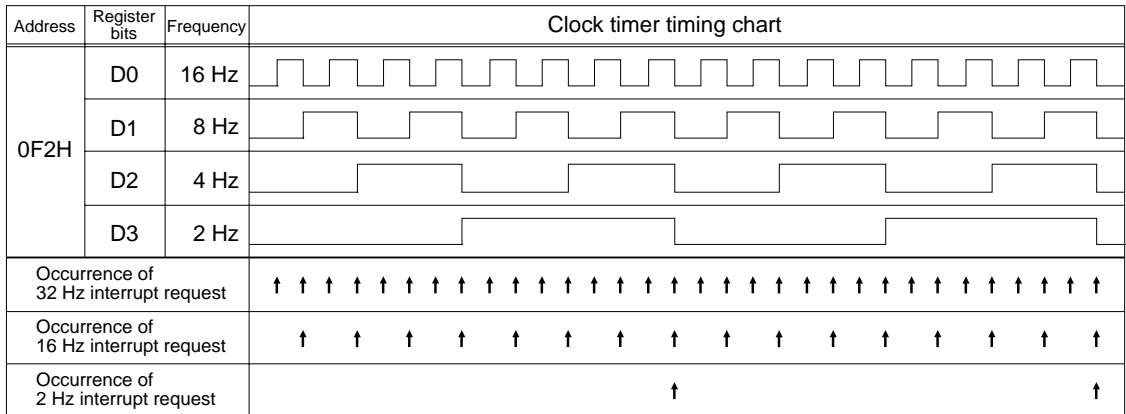


Fig. 4.6.2.1 Timing chart of the clock timer

As shown in Figure 4.6.2.1, an interrupt is generated at the falling edge of the 32 Hz, 16 Hz, and 2 Hz signals. At this point, the corresponding interrupt factor flag (IT32, IT16, IT2) is set to 1. The interrupts can be masked individually with the interrupt mask register (EIT32, EIT16, EIT2). However, regardless of the interrupt mask register setting, the interrupt factor flags will be set to 1 at the falling edge of their corresponding signal (e.g. the falling edge of the 2 Hz signal sets the 2 Hz interrupt factor flag to 1).

*Note:* Write to the interrupt mask registers (EIT32, EIT16, EIT2) and read the interrupt factor flags (IT32, IT16, IT2) only in the DI status (interrupt flag = 0). Otherwise, it causes malfunction.

### 4.6.3 Mask option

The 32 Hz timer interrupt can be changed to 64 Hz by mask option. When 64 Hz is selected by mask option, the falling edge of the 64 Hz signal sets the IT32 interrupt factor flag (0F6H•D0) and the interrupt is controlled with the EIT32 interrupt mask register (0F4H•D0).

### 4.6.4 I/O memory of clock timer

Table 4.6.4.1 shows the clock timer control bits and their addresses.

Table 4.6.4.1 Control bits of clock timer

Address	Register				Name	Init *1	1	0	Comment
	D3	D2	D1	D0					
0F2H	TM3	TM2	TM1	TM0	TM3	- *2			Clock timer data (2 Hz)
					TM2	- *2			Clock timer data (4 Hz)
	R				TM1	- *2			Clock timer data (8 Hz)
					TM0	- *2			Clock timer data (16 Hz)
0F4H	TMRST	EIT2	EIT16	EIT32	TMRST*3	Reset	Reset	-	Clock timer reset
					EIT2	0	Enable	Mask	Interrupt mask register (clock timer 2 Hz)
	W	R/W			EIT16	0	Enable	Mask	Interrupt mask register (clock timer 16 Hz)
					EIT32	0	Enable	Mask	Interrupt mask register (clock timer 32 Hz)
0F6H	0	IT2	IT16	IT32	0 *3	- *2	-	-	Unused
					IT2 *4	0	Yes	No	Interrupt factor flag (clock timer 2 Hz)
	R				IT16 *4	0	Yes	No	Interrupt factor flag (clock timer 16 Hz)
					IT32 *4	0	Yes	No	Interrupt factor flag (clock timer 32 Hz)

\*1 Initial value at initial reset

\*3 Always "0" being read

\*2 Not set in the circuit

\*4 Reset (0) immediately after being read

#### TM0–TM3: Timer data (0F2H)

The 16 Hz to 2 Hz timer data of the clock timer can be read from this register. These four bits are read-only, and write operations are invalid.

After an initial reset, the timer data is initialized to "0H".

#### EIT32, EIT16, EIT2: Interrupt mask registers (0F4H•D0–D2)

These registers are used to mask the clock timer interrupt.

When 1 is written: Enabled

When 0 is written: Masked

Reading: Valid

The interrupt mask registers (EIT32, EIT16, EIT2) mask the corresponding interrupt frequencies (32 Hz / 64 Hz, 16 Hz, 2 Hz).

At initial reset, these registers are all set to 0.

#### IT32, IT16, IT2: Interrupt factor flags (0F6H•D0–D2)

These flags indicate the status of the clock timer interrupt.

When 1 is read: Interrupt has occurred

When 0 is read: Interrupt has not occurred

Writing: Invalid

The interrupt factor flags (IT32, IT16, IT2) correspond to the clock timer interrupts (32 Hz / 64 Hz, 16 Hz, 2 Hz). The software can determine from these flags whether there is a clock timer interrupt. However, even if the interrupt is masked, the flags are set to 1 at the falling edge of the signal. These flags can be reset when the register is read by the software.

Reading of interrupt factor flags is available at EI, but be careful in the following cases.

If the interrupt mask register value corresponding to the interrupt factor flag to be read is set to 1, an interrupt request will be generated by the interrupt factor flag set timing, or an interrupt request will not be generated. Be very careful when interrupt factor flags are in the same address.

At initial reset, these flags are set to 0.



**TMRST: Clock timer reset (0F4H•D3)**

This bit resets the clock timer.

When 1 is written: Clock timer reset

When 0 is written: No operation

Reading: Always 0

The clock timer is reset by writing 1 to TMRST. The clock timer starts immediately after this. No operation results when 0 is written to TMRST.

This bit is write-only, and so is always 0 when read.

**4.6.5 Programming notes**

- (1) Note that the frequencies and times differ from the description in this section when the oscillation frequency is not 32.768 kHz.
- (2) Reading of interrupt factor flags is available at EI, but be careful in the following cases.  
If the interrupt mask register value corresponding to the interrupt factor flag to be read is set to 1, an interrupt request will be generated by the interrupt factor flag set timing, or an interrupt request will not be generated. Be very careful when interrupt factor flags are in the same address.

### 4.7 Interrupt and HALT

The E0C6003 Series provides the following interrupt settings, each of which is maskable.

External interrupt: Input port interrupt (one)

Internal interrupt: Timer interrupt (one)

To enable interrupts, the interrupt flag must be set to 1 (EI) and the necessary related interrupt mask registers must be set to 1 (enable). When an interrupt occurs, the interrupt flag is automatically reset to 0 (DI) and interrupts after that are inhibited.

Figure 4.7.1 shows the configuration of the interrupt circuit.

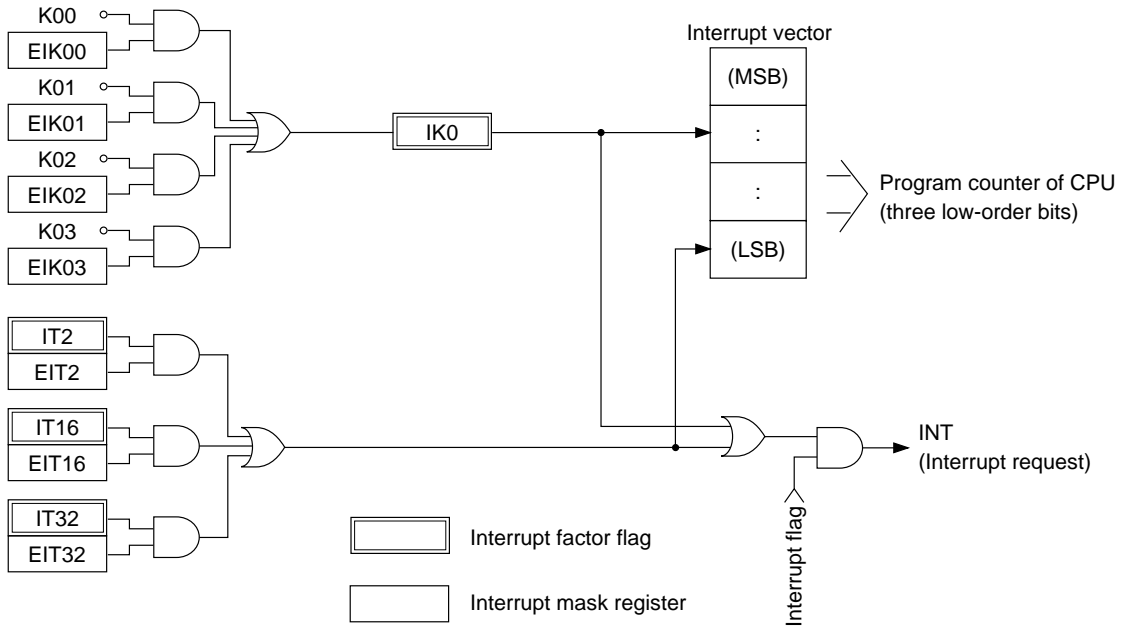


Fig. 4.7.1 Configuration of interrupt circuit

#### HALT mode

When the HALT instruction is executed, the CPU stops operating and enters the HALT mode. The oscillation circuit and the peripheral circuits operate in the HALT mode. By an interrupt, the CPU exits the HALT mode and resumes operating.

### 4.7.1 Interrupt factors

Table 4.7.1.1 shows the factors that generate interrupt requests.

The interrupt factor flags are set to 1 depending on the corresponding interrupt factors.

The CPU is interrupted when the following two conditions occur and an interrupt factor flag is set to 1.

- The corresponding mask register is 1 (enabled)
- The interrupt flag is 1 (EI)

The interrupt factor flag is a read-only register, but can be reset to 0 when the register data is read.

At initial reset, the interrupt factor flags are reset to 0.

*Note: Reading of interrupt factor flag is available at EI, but be careful in the following cases.*

*If the interrupt mask register value corresponding to the interrupt factor flag to be read is set to 1, an interrupt request will be generated by the interrupt factor flag set timing, or an interrupt request will not be generated. Be very careful when interrupt factor flags are in the same address.*

Table 4.7.1.1 Interrupt factors

Interrupt factor	Interrupt factor flag
Clock timer 2 Hz falling edge	IT2 (0F6H•D2)
Clock timer 16 Hz falling edge	IT16 (0F6H•D1)
Clock timer 32 (or 64) Hz falling edge	IT32 (0F6H•D0)
Input (K00–K03) port rising edge	IK0 (0F5H•D0)

### 4.7.2 Specific masks for interrupt

The interrupt factor flags can be masked by the corresponding interrupt mask registers. The interrupt mask registers are read/write registers. The interrupts are enabled when 1 is written to them, and masked (interrupt disabled) when 0 is written to them.

At initial reset, the interrupt mask register is set to 0.

Table 4.7.2.1 shows the correspondence between interrupt mask registers and interrupt factor flags.

Table 4.7.2.1 Interrupt mask registers and interrupt factor flags

Interrupt mask register	Interrupt factor flag
EIT2 (0F4H•D2)	IT2 (0F6H•D2)
EIT16 (0F4H•D1)	IT16 (0F6H•D1)
EIT32 (0F4H•D0)	IT32 (0F6H•D0)
EIK03* (0F3H•D3)	IK0 (0F5H•D0)
EIK02* (0F3H•D2)	
EIK01* (0F3H•D1)	
EIK00* (0F3H•D0)	

\* There is an interrupt mask register for each input port terminal.

### 4.7.3 Interrupt vectors

When an interrupt request is input to the CPU, the CPU starts interrupt processing. After the program being executed is suspended, interrupt processing is executed in the following order:

- ① The address data (value of the program counter) of the program step to be executed next is saved on the stack (RAM).
- ② The interrupt request causes the value of the interrupt vector (page 1, 01H–07H) to be loaded into the program counter.
- ③ The program at the specified address is executed (execution of interrupt processing routine).

*Note: The processing in steps 1 and 2, above, takes 12 cycles of the CPU system clock.*

Table 4.7.3.1 Interrupt vector addresses

Page	Step	Interrupt vector
1	00H	Initial reset
	01H	Clock timer interrupt
	04H	Input (K00–K03) interrupt

### 4.7.4 I/O memory of interrupt

Table 4.7.4.1 shows the interrupt control bits and their addresses.

Table 4.7.4.1 Control bits of interrupt

Address	Register				Name	Init *1	1	0	Comment				
	D3	D2	D1	D0									
0F3H	EIK03	EIK02	EIK01	EIK00	EIK03	0	Enable	Mask	Interrupt mask register (K03)				
	R/W				EIK02	0	Enable	Mask	Interrupt mask register (K02)				
					EIK01	0	Enable	Mask	Interrupt mask register (K01)				
	R/W				EIK00	0	Enable	Mask	Interrupt mask register (K00)				
TMRST					EIT2	EIT16	EIT32	TMRST*3	Reset	Reset	-	Clock timer reset	
0F4H	W		R/W		EIT2	0	Enable	Mask	Interrupt mask register (clock timer 2 Hz)				
					EIT16	0	Enable	Mask	Interrupt mask register (clock timer 16 Hz)				
	R		IK0		EIT32	0	Enable	Mask	Interrupt mask register (clock timer 32 Hz)				
0					0	0	0	0 *3	- *2	-	-	Unused	
0F5H	R				0 *3	- *2	-	-	Unused				
	R				0 *3	- *2	-	-	Unused				
	R				IK0 *4	0	Yes	No	Interrupt factor flag (K00–K03)				
0F6H	R		IT2		IT16		IT32		0 *3	- *2	-	-	Unused
									IT2 *4	0	Yes	No	Interrupt factor flag (clock timer 2 Hz)
	R				IT16 *4	0	Yes	No	Interrupt factor flag (clock timer 16 Hz)				
					IT32 *4	0	Yes	No	Interrupt factor flag (clock timer 32 Hz)				

\*1 Initial value at initial reset

\*3 Always "0" being read

\*2 Not set in the circuit

\*4 Reset (0) immediately after being read

#### EIT32, EIT16, EIT2: Interrupt mask registers (0F4H•D0–D2)

#### IT32, IT16, IT2: Interrupt factor flags (0F6H•D0–D2)

...See Section 4.6, "Clock Timer".

#### EIK00–EIK03: Interrupt mask registers (0F3H)

#### IK0: Interrupt factor flag (0F5H•D0)

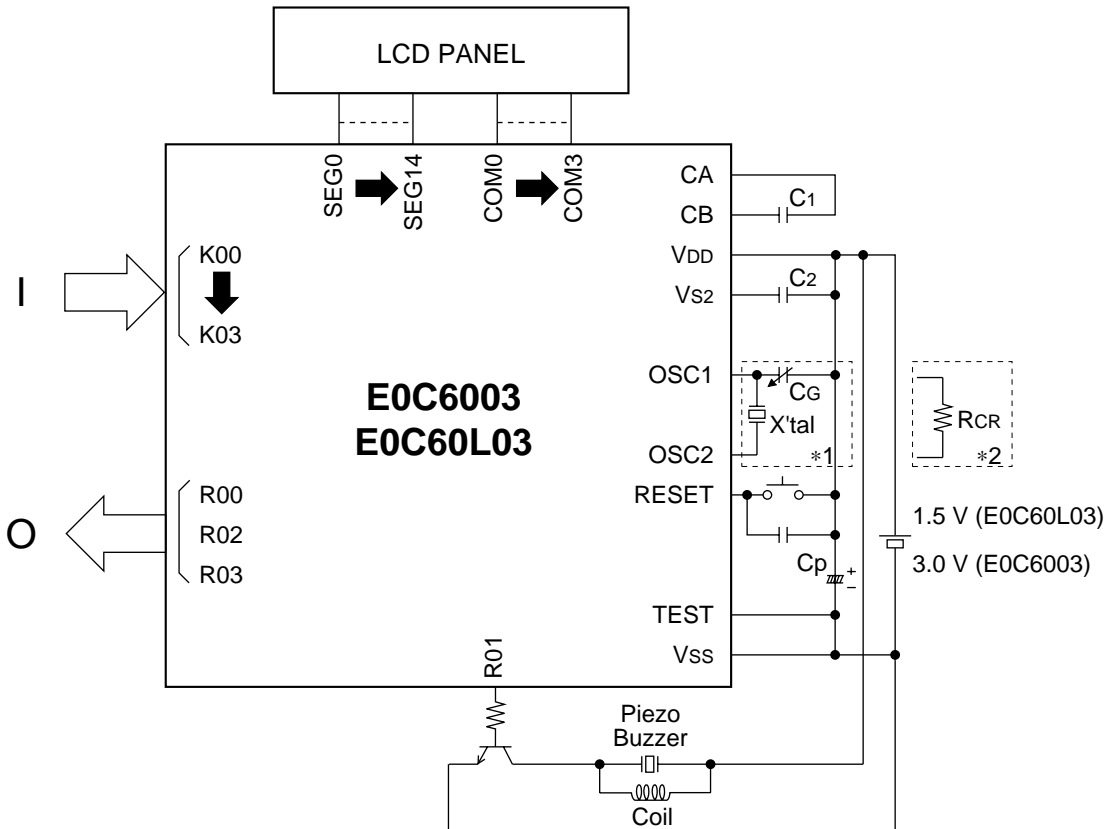
...See Section 4.3, "Input Port".

### ***4.7.5 Programming notes***

- (1) Restart from the HALT mode is performed by an interrupt. The return address after completion of the interrupt processing will be the address following the HALT instruction.
- (2) When an interrupt occurs, the interrupt flag will be reset by the hardware and it will become DI status. After completion of the interrupt processing, set to the EI status through the software as needed.  
Moreover, the nesting level may be set to be programmable by setting to the EI state at the beginning of the interrupt processing routine.
- (3) The interrupt factor flags must always be reset before setting the EI status. When the interrupt mask register has been set to 1, the same interrupt will occur again if the EI status is set unless of resetting the interrupt factor flag.
- (4) The interrupt factor flag will be reset by reading through the software. Because of this, when multiple interrupt factor flags are to be assigned to the same address, perform the flag check after the contents of the address has been stored in the RAM. Direct checking with the FAN instruction will cause all the interrupt factor flag to be reset.
- (5) Reading of interrupt factor flag is available at EI, but be careful in the following cases.  
If the interrupt mask register value corresponding to the interrupt factor flag to be read is set to 1, an interrupt request will be generated by the interrupt factor flag set timing, or an interrupt request will not be generated. Be very careful when interrupt factor flags are in the same address.

# CHAPTER 5 BASIC EXTERNAL WIRING DIAGRAM

## Piezo Buzzer Single Terminal Driving

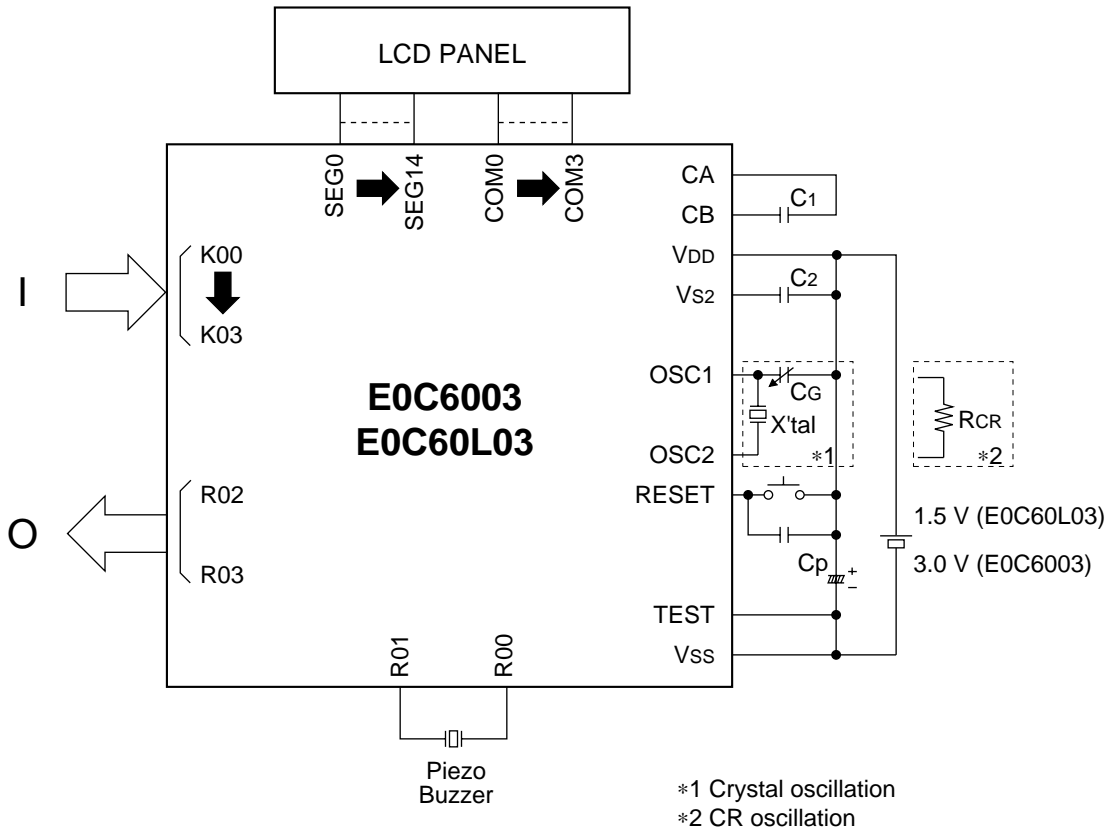


\*1 Crystal oscillation  
\*2 CR oscillation

X'tal	Crystal oscillator	32.768 kHz, C <sub>1</sub> (Max.) = 35 kΩ
C <sub>G</sub>	Trimmer capacitor	5–25 pF
R <sub>CR</sub>	Resistor for CR oscillation	470 kΩ (65 kHz)
C <sub>1</sub> , C <sub>2</sub>	Capacitor	1 μF (see Note)
C <sub>p</sub>	Capacitor	3.3 μF

*Note: Use a 1 μF capacitor for C<sub>1</sub> and C<sub>2</sub> when "E0C60L03 1/3 bias" is selected, or a 0.1 μF capacitor when "E0C6003 1/2 bias" or "E0C60L03 1/2 bias (A), (B)" is selected. No capacitor is required for C<sub>1</sub> and C<sub>2</sub> when another specification is selected.*

**Piezo Buzzer Direct Driving**



X'tal	Crystal oscillator	32.768 kHz, C <sub>I</sub> (Max.) = 35 kΩ
C <sub>G</sub>	Trimmer capacitor	5–25 pF
R <sub>CR</sub>	Resistor for CR oscillation	470 kΩ (65 kHz)
C <sub>1</sub> , C <sub>2</sub>	Capacitor	1 μF (see Note)
C <sub>p</sub>	Capacitor	3.3 μF

*Note: Use a 1 μF capacitor for C<sub>1</sub> and C<sub>2</sub> when "E0C60L03 1/3 bias" is selected, or a 0.1 μF capacitor when "E0C6003 1/2 bias" or "E0C60L03 1/2 bias (A), (B)" is selected.  
No capacitor is required for C<sub>1</sub> and C<sub>2</sub> when another specification is selected.*

## CHAPTER 6 ELECTRICAL CHARACTERISTICS

### 6.1 Absolute Maximum Rating

(V <sub>DD</sub> =0V)			
Item	Symbol	Rated value	Unit
Supply voltage	V <sub>SS</sub>	-5.0 to 0.5	V
Input voltage (1)	V <sub>I</sub>	V <sub>SS</sub> - 0.3 to 0.5	V
Input voltage (2)	V <sub>Iosc</sub>	V <sub>SS</sub> - 0.3 to 0.5	V
Permissible total output current *1	ΣI <sub>VSS</sub>	10	mA
Operating temperature	T <sub>opr</sub>	-20 to 70	°C
Storage temperature	T <sub>stg</sub>	-65 to 150	°C
Soldering temperature / time	T <sub>sol</sub>	260°C, 10sec (lead section)	–
Permissible dissipation	P <sub>D</sub>	250	mW

\*1 The permissible total output current is the sum total of the current (average current) that simultaneously flows from the output pin (or is drawn in).

### 6.2 Recommended Operating Conditions

#### E0C6003

(T<sub>a</sub>=-20 to 70°C)

Item	Symbol	Condition	Min.	Typ.	Max.	Unit
Supply voltage	V <sub>SS</sub>	V <sub>DD</sub> =0V	-3.6	-3.0	-1.8	V
Oscillation frequency	f <sub>osc</sub>	Crystal oscillation		32.768		kHz
		CR oscillation, R <sub>CR</sub> =470kΩ	50	65	80	kHz
Booster capacitor	C <sub>1</sub>		0.1			μF
Capacitor between V <sub>DD</sub> and V <sub>S2</sub>	C <sub>2</sub>		0.1			μF

#### E0C60L03

(T<sub>a</sub>=-20 to 70°C)

Item	Symbol	Condition	Min.	Typ.	Max.	Unit
Supply voltage	V <sub>SS</sub>	V <sub>DD</sub> =0V	-2.0	-1.5	-1.2	V
Oscillation frequency	f <sub>osc</sub>	Crystal oscillation		32.768		kHz
		CR oscillation, R <sub>CR</sub> =470kΩ	50	65	80	kHz
Booster capacitor	C <sub>1</sub>		0.1			μF
Capacitor between V <sub>DD</sub> and V <sub>S2</sub>	C <sub>2</sub>		0.1			μF



## 6.3 DC Characteristics

### E0C6003

Unless otherwise specified:

$V_{DD}=0V$ ,  $V_{SS}=-3.0V$ ,  $f_{osc}=32.768kHz$ ,  $T_a=25^{\circ}C$ ,  $V_{S2}$  is internal voltage,  $C_1=C_2=0.1\mu F$

Item	Symbol	Condition	Min.	Typ.	Max.	Unit
High level input voltage (1)	$V_{IH1}$	K00-03	$0.2 \cdot V_{SS}$		0	V
High level input voltage (2)	$V_{IH2}$	RESET	$0.15 \cdot V_{SS}$		0	V
Low level input voltage (1)	$V_{IL1}$	K00-03	$V_{SS}$		$0.8 \cdot V_{SS}$	V
Low level input voltage (2)	$V_{IL2}$	RESET	$V_{SS}$		$0.85 \cdot V_{SS}$	V
High level input current (1)	$I_{IH1}$	$V_{IH1}=0V$ , No pull-down	K00-03	0	0.5	$\mu A$
High level input current (2)	$I_{IH2}$	$V_{IH2}=0V$ , Pull-down	K00-03	10	40	$\mu A$
High level input current (3)	$I_{IH3}$	$V_{IH3}=0V$ , Pull-down	RESET	30	100	$\mu A$
Low level input current	$I_{IL}$	$V_{IL}=V_{SS}$	K00-03 RESET, TEST	-0.5	0	$\mu A$
High level output current (1)	$I_{OH1}$	$V_{OH1}=0.1 \cdot V_{SS}$	R02, R03		-1.0	mA
High level output current (2)	$I_{OH2}$	$V_{OH2}=0.1 \cdot V_{SS}$ (with protection resistor)	R00, R01		-1.0	mA
Low level output current (1)	$I_{OL1}$	$V_{OL1}=0.9 \cdot V_{SS}$	R02, R03	3.0		mA
Low level output current (2)	$I_{OL2}$	$V_{OL2}=0.9 \cdot V_{SS}$ (with protection resistor)	R00, R01	3.0		mA
Common output current	$I_{OH3}$	$V_{OH3}=-0.05V$	COM0-3		-3	$\mu A$
	$I_{OL3}$	$V_{OL3}=V_{L3}+0.05V$		3	$\mu A$	
Segment output current (during LCD output)	$I_{OH4}$	$V_{OH4}=-0.05V$	SEG0-14		-3	$\mu A$
	$I_{OL4}$	$V_{OL4}=V_{L3}+0.05V$		3	$\mu A$	
Segment output current (during DC output)	$I_{OH5}$	$V_{OH5}=0.1 \cdot V_{SS}$	SEG0-14		-300	$\mu A$
	$I_{OL5}$	$V_{OL5}=0.9 \cdot V_{SS}$		300	$\mu A$	

### E0C60L03

Unless otherwise specified:

$V_{DD}=0V$ ,  $V_{SS}=-1.5V$ ,  $f_{osc}=32.768kHz$ ,  $T_a=25^{\circ}C$ ,  $V_{S2}$  is internal voltage,  $C_1=C_2=0.1\mu F$

Item	Symbol	Condition	Min.	Typ.	Max.	Unit
High level input voltage (1)	$V_{IH1}$	K00-03	$0.2 \cdot V_{SS}$		0	V
High level input voltage (2)	$V_{IH2}$	RESET	$0.15 \cdot V_{SS}$		0	V
Low level input voltage (1)	$V_{IL1}$	K00-03	$V_{SS}$		$0.8 \cdot V_{SS}$	V
Low level input voltage (2)	$V_{IL2}$	RESET	$V_{SS}$		$0.85 \cdot V_{SS}$	V
High level input current (1)	$I_{IH1}$	$V_{IH1}=0V$ , No pull-down	K00-03	0	0.5	$\mu A$
High level input current (2)	$I_{IH2}$	$V_{IH2}=0V$ , Pull-down	K00-03	5.0	20	$\mu A$
High level input current (3)	$I_{IH3}$	$V_{IH3}=0V$ , Pull-down	RESET	9.0	100	$\mu A$
Low level input current	$I_{IL}$	$V_{IL}=V_{SS}$	K00-03 RESET, TEST	-0.5	0	$\mu A$
High level output current (1)	$I_{OH1}$	$V_{OH1}=0.1 \cdot V_{SS}$	R02, R03		-200	$\mu A$
High level output current (2)	$I_{OH2}$	$V_{OH2}=0.1 \cdot V_{SS}$ (with protection resistor)	R00, R01		-200	$\mu A$
Low level output current (1)	$I_{OL1}$	$V_{OL1}=0.9 \cdot V_{SS}$	R02, R03	700		$\mu A$
Low level output current (2)	$I_{OL2}$	$V_{OL2}=0.9 \cdot V_{SS}$ (with protection resistor)	R00, R01	700		$\mu A$
Common output current	$I_{OH3}$	$V_{OH3}=-0.05V$	COM0-3		-3	$\mu A$
	$I_{OL3}$	$V_{OL3}=V_{L3}+0.05V$		3	$\mu A$	
Segment output current (during LCD output)	$I_{OH4}$	$V_{OH4}=-0.05V$	SEG0-14		-3	$\mu A$
	$I_{OL4}$	$V_{OL4}=V_{L3}+0.05V$		3	$\mu A$	
Segment output current (during DC output)	$I_{OH5}$	$V_{OH5}=0.1 \cdot V_{SS}$	SEG0-14		-100	$\mu A$
	$I_{OL5}$	$V_{OL5}=0.9 \cdot V_{SS}$		130	$\mu A$	

## 6.4 Analog Circuit Characteristics and Current Consumption

### E0C6003 (Crystal Oscillation)

Unless otherwise specified:

$V_{DD}=0V$ ,  $V_{SS}=-3.0V$ ,  $f_{osc}=32.768kHz$ ,  $T_a=25^{\circ}C$ ,  $C_G=25pF$ ,  $V_{S2}$  is internal voltage,  $C_1=C_2=0.1\mu F$

Item	Symbol	Condition	Min.	Typ.	Max.	Unit
LCD drive voltage	VL1	Connect 1 M $\Omega$ load resistor between V <sub>DD</sub> and segment driver (SEG0–SEG14) when segment driver's level is VL1	$1/3 \cdot V_{SS}$ - 0.1	$1/3 \cdot V_{SS}$	$1/3 \cdot V_{SS}$ $\times 0.9$	V
	VL2	Connect 1 M $\Omega$ load resistor between V <sub>DD</sub> and segment driver (SEG0–SEG14) when segment driver's level is VL2	$2/3 \cdot V_{SS}$ - 0.1	$2/3 \cdot V_{SS}$	$2/3 \cdot V_{SS}$ $\times 0.9$	V
	VL3	Connect 1 M $\Omega$ load resistor between V <sub>DD</sub> and segment driver (SEG0–SEG14) when segment driver's level is VL3		V <sub>SS</sub>		V
Current consumption	IHLT	During HALT with LCD OFF	No panel load	1.0	2.5	$\mu A$
	IEXE1	During operation with LCD OFF		2.0	5.0	$\mu A$
	IEXE2	During operation with power divider ON		15	20	$\mu A$

### E0C60L03 (Crystal Oscillation)

Unless otherwise specified:

$V_{DD}=0V$ ,  $V_{SS}=-1.5V$ ,  $f_{osc}=32.768kHz$ ,  $T_a=25^{\circ}C$ ,  $C_G=25pF$ ,  $V_{S2}$  is internal voltage,  $C_1=C_2=0.1\mu F$

Item	Symbol	Condition	Min.	Typ.	Max.	Unit
LCD drive voltage	VL1	Connect 1 M $\Omega$ load resistor between V <sub>DD</sub> and segment driver (SEG0–SEG14) when segment driver's level is VL1	$1/3 \cdot V_{S2}$ - 0.1	$1/3 \cdot V_{S2}$	$1/3 \cdot V_{S2}$ $\times 0.9$	V
	VL2	Connect 1 M $\Omega$ load resistor between V <sub>DD</sub> and segment driver (SEG0–SEG14) when segment driver's level is VL2	$2/3 \cdot V_{S2}$ - 0.1	$2/3 \cdot V_{S2}$	$2/3 \cdot V_{S2}$ $\times 0.9$	V
	VL3	Connect 1 M $\Omega$ load resistor between V <sub>DD</sub> and segment driver (SEG0–SEG14) when segment driver's level is VL3	$V_{S2}$ - 0.1	$V_{S2}$	$V_{S2}$ $\times 0.9$	V
Current consumption	IHLT	During HALT with LCD OFF	No panel load	1.0	2.5	$\mu A$
	IEXE1	During operation with LCD OFF		2.0	5.0	$\mu A$
	IEXE2	During operation with power divider ON		15	20	$\mu A$

**E0C6003 (CR Oscillation)**

Unless otherwise specified:

 $V_{DD}=0V$ ,  $V_{SS}=-3.0V$ ,  $f_{OSC}=65kHz$ ,  $T_a=25^{\circ}C$ ,  $R_{CR}=470k\Omega$ ,  $V_{S2}$  is internal voltage,  $C_1=C_2=0.1\mu F$ 

Item	Symbol	Condition	Min.	Typ.	Max.	Unit
LCD drive voltage	VL1	Connect 1 M $\Omega$ load resistor between V <sub>DD</sub> and segment driver (SEG0–SEG14) when segment driver's level is VL1	$1/3 \cdot V_{SS}$ - 0.1	$1/3 \cdot V_{SS}$	$1/3 \cdot V_{SS}$ $\times 0.9$	V
	VL2	Connect 1 M $\Omega$ load resistor between V <sub>DD</sub> and segment driver (SEG0–SEG14) when segment driver's level is VL2	$2/3 \cdot V_{SS}$ - 0.1	$2/3 \cdot V_{SS}$	$2/3 \cdot V_{SS}$ $\times 0.9$	V
	VL3	Connect 1 M $\Omega$ load resistor between V <sub>DD</sub> and segment driver (SEG0–SEG14) when segment driver's level is VL3		V <sub>SS</sub>		V
Current consumption	IHLT	During HALT with LCD OFF	No panel load	8	15	$\mu A$
	IEXE1	During operation with LCD OFF		15	20	$\mu A$
	IEXE2	During operation with power divider ON		25	30	$\mu A$

**E0C60L03 (CR Oscillation)**

Unless otherwise specified:

 $V_{DD}=0V$ ,  $V_{SS}=-1.5V$ ,  $f_{OSC}=65kHz$ ,  $T_a=25^{\circ}C$ ,  $R_{CR}=470k\Omega$ ,  $V_{S2}$  is internal voltage,  $C_1=C_2=0.1\mu F$ 

Item	Symbol	Condition	Min.	Typ.	Max.	Unit
LCD drive voltage	VL1	Connect 1 M $\Omega$ load resistor between V <sub>DD</sub> and segment driver (SEG0–SEG14) when segment driver's level is VL1	$1/3 \cdot V_{S2}$ - 0.1	$1/3 \cdot V_{S2}$	$1/3 \cdot V_{S2}$ $\times 0.9$	V
	VL2	Connect 1 M $\Omega$ load resistor between V <sub>DD</sub> and segment driver (SEG0–SEG14) when segment driver's level is VL2	$2/3 \cdot V_{S2}$ - 0.1	$2/3 \cdot V_{S2}$	$2/3 \cdot V_{S2}$ $\times 0.9$	V
	VL3	Connect 1 M $\Omega$ load resistor between V <sub>DD</sub> and segment driver (SEG0–SEG14) when segment driver's level is VL3	$V_{S2}$ - 0.1	$V_{S2}$	$V_{S2}$ $\times 0.9$	V
Current consumption	IHLT	During HALT with LCD OFF	No panel load	8	15	$\mu A$
	IEXE1	During operation with LCD OFF		15	20	$\mu A$
	IEXE2	During operation with power divider ON		25	30	$\mu A$

## 6.5 Oscillation Characteristics

Oscillation characteristics will vary according to different conditions (elements used, board pattern). Use the following characteristics as reference values.

### E0C6003 Crystal Oscillation

Unless otherwise specified:

$V_{DD}=0V$ ,  $V_{SS}=-3.0V$ ,  $f_{osc}=32.768kHz$ , Crystal: C-002R ( $C_1=35k\Omega$ ),  $C_G=25pF$ ,  $C_D=built-in$ ,  $T_a=25^\circ C$

Item	Symbol	Condition	Min.	Typ.	Max.	Unit
Oscillation start voltage	Vsta	tsta≤5sec (Vss)	-1.8			V
Oscillation stop voltage	Vstp	tstp≤10sec (Vss)	-1.8			V
Built-in capacitance (drain)	CD	Including the parasitic capacitance inside the IC (in chip)		20		pF
Frequency/voltage deviation	$\partial f/\partial V$	Vss=-1.8 to -3.6V			5	ppm
Frequency/IC deviation	$\partial f/\partial IC$		-10		10	ppm
Frequency adjustment range	$\partial f/\partial C_G$	$C_G=5$ to $25pF$	40			ppm
Harmonic oscillation start voltage	Vhho	$C_G=5pF$ (Vss)			-3.6	V
Permitted leak resistance	Rleak	Between OSC1 and VDD	200			MΩ

### E0C60L03 Crystal Oscillation

Unless otherwise specified:

$V_{DD}=0V$ ,  $V_{SS}=-1.5V$ ,  $f_{osc}=32.768kHz$ , Crystal: C-002R ( $C_1=35k\Omega$ ),  $C_G=25pF$ ,  $C_D=built-in$ ,  $T_a=25^\circ C$

Item	Symbol	Condition	Min.	Typ.	Max.	Unit
Oscillation start voltage	Vsta	tsta≤5sec (Vss)	-1.2			V
Oscillation stop voltage	Vstp	tstp≤10sec (Vss)	-1.2			V
Built-in capacitance (drain)	CD	Including the parasitic capacitance inside the IC (in chip)		20		pF
Frequency/voltage deviation	$\partial f/\partial V$	Vss=-1.2 to -2.0V			5	ppm
Frequency/IC deviation	$\partial f/\partial IC$		-10		10	ppm
Frequency adjustment range	$\partial f/\partial C_G$	$C_G=5$ to $25pF$	40			ppm
Harmonic oscillation start voltage	Vhho	$C_G=5pF$ (Vss)			-2.0	V
Permitted leak resistance	Rleak	Between OSC1 and VDD	200			MΩ

### E0C6003 CR Oscillation

Unless otherwise specified:

$V_{DD}=0V$ ,  $V_{SS}=-3.0V$ ,  $R_{CR}=470k\Omega$ ,  $T_a=25^\circ C$

Item	Symbol	Condition	Min.	Typ.	Max.	Unit
Oscillation frequency dispersion	fosc		-20	65kHz	20	%
Oscillation start voltage	Vsta	(Vss)	-1.8			V
Oscillation start time	tsta	Vss=-1.8 to -3.6V		3		mS
Oscillation stop voltage	Vstp	(Vss)	-1.8			V

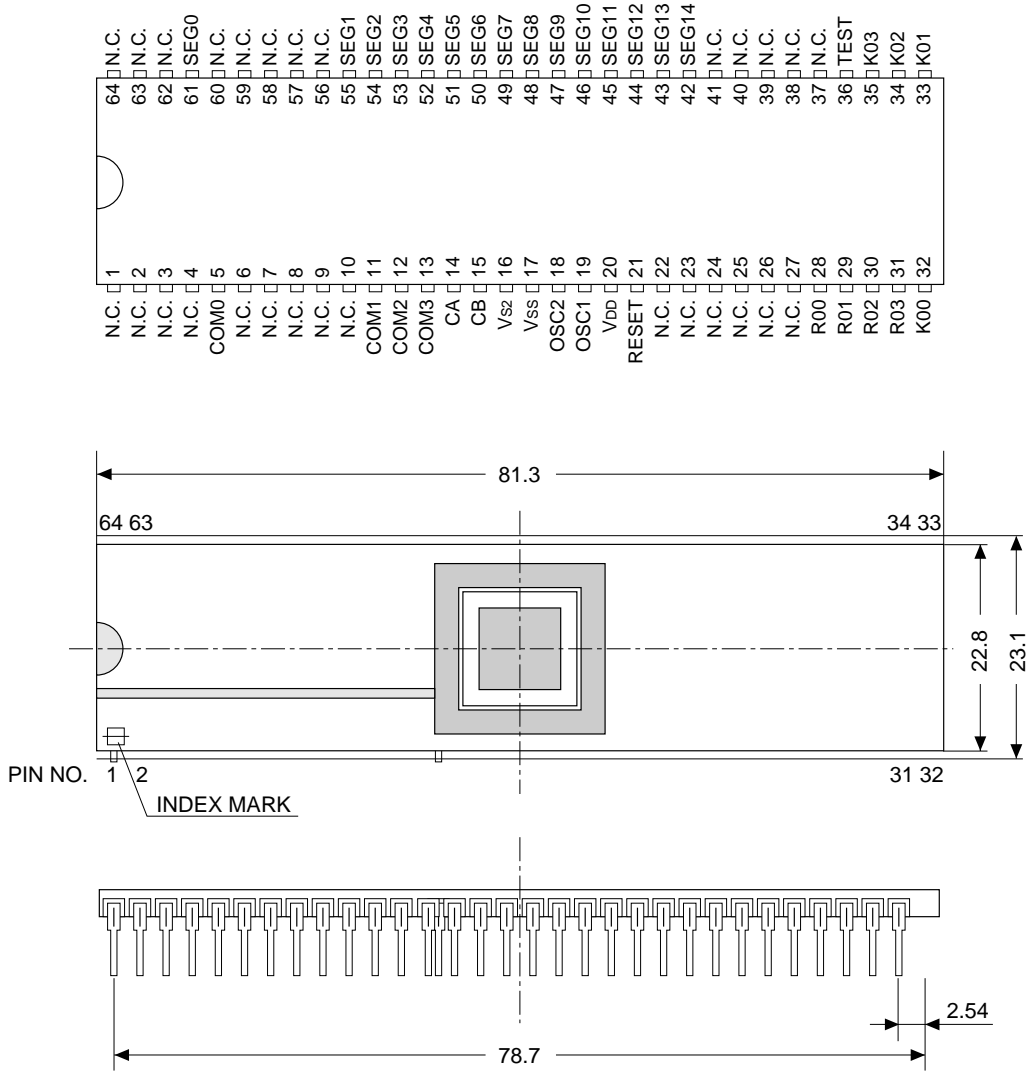
### E0C60L03 CR Oscillation

Unless otherwise specified:

$V_{DD}=0V$ ,  $V_{SS}=-1.5V$ ,  $R_{CR}=470k\Omega$ ,  $T_a=25^\circ C$

Item	Symbol	Condition	Min.	Typ.	Max.	Unit
Oscillation frequency dispersion	fosc		-20	65kHz	20	%
Oscillation start voltage	Vsta	(Vss)	-1.2			V
Oscillation start time	tsta	Vss=-1.2 to -2.0V		3		mS
Oscillation stop voltage	Vstp	(Vss)	-1.2			V

# CHAPTER 7 CERAMIC PACKAGE FOR TEST SAMPLES

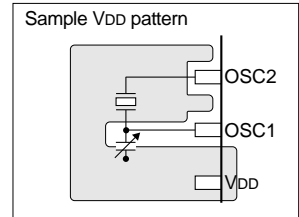


(Unit: mm)

# CHAPTER 8 PRECAUTIONS ON MOUNTING

## <Oscillation Circuit>

- Oscillation characteristics change depending on conditions (board pattern, components used, etc.). In particular, when using a crystal oscillator, use the oscillator manufacturer's recommended values for constants such as capacitance and resistance.
- Disturbances of the oscillation clock due to noise may cause a malfunction. Consider the following points to prevent this:
  - (1) Components which are connected to the OSC1 and OSC2 terminals, such as oscillators, resistors and capacitors, should be connected in the shortest line.
  - (2) As shown in the right hand figure, make a VDD pattern as large as possible at circumscription of the OSC1 and OSC2 terminals and the components connected to these terminals. Furthermore, do not use this VDD pattern for any purpose other than the oscillation system.
- In order to prevent unstable operation of the oscillation circuit due to current leak between OSC1 and Vss, please keep enough distance between OSC1 and Vss or other signals on the board pattern.

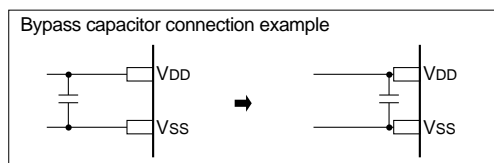


## <Reset Circuit>

- The power-on reset signal which is input to the RESET terminal changes depending on conditions (power rise time, components used, board pattern, etc.). Decide the time constant of the capacitor and resistor after enough tests have been completed with the application product. When the built-in pull-down resistor is added to the RESET terminal by mask option, take into consideration dispersion of the resistance for setting the constant.
- In order to prevent any occurrences of unnecessary resetting caused by noise during operating, components such as capacitors and resistors should be connected to the RESET terminal in the shortest line.

## <Power Supply Circuit>

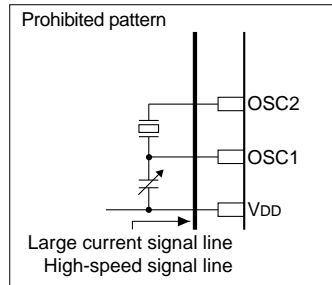
- Sudden power supply variation due to noise may cause malfunction. Consider the following points to prevent this:
  - (1) The power supply should be connected to the VDD and Vss terminal with patterns as short and large as possible.
  - (2) When connecting between the VDD and Vss terminals with a bypass capacitor, the terminals should be connected as short as possible.



- (3) Components which are connected to the VS2 terminal, such as a capacitor, should be connected in the shortest line.

**<Arrangement of Signal Lines>**

- In order to prevent generation of electromagnetic induction noise caused by mutual inductance, do not arrange a large current signal line near the circuits that are sensitive to noise such as the oscillation unit.
- When a signal line is parallel with a high-speed line in long distance or intersects a high-speed line, noise may be generated by mutual interference between the signals and it may cause a malfunction. Do not arrange a high-speed signal line especially near circuits that are sensitive to noise such as the oscillation unit.

**<Precautions for Visible Radiation (when bare chip is mounted)>**

- Visible radiation causes semiconductor devices to change the electrical characteristics. It may cause this IC to malfunction. When developing products which use this IC, consider the following precautions to prevent malfunctions caused by visible radiations.
  - (1) Design the product and implement the IC on the board so that it is shielded from visible radiation in actual use.
  - (2) The inspection process of the product needs an environment that shields the IC from visible radiation.
  - (3) As well as the face of the IC, shield the back and side too.

# EPSON International Sales Operations

---

## AMERICA

---

### EPSON ELECTRONICS AMERICA, INC.

#### - HEADQUARTERS -

1960 E. Grand Avenue  
El Segundo, CA 90245, U.S.A.  
Phone: +1-310-955-5300 Fax: +1-310-955-5400

#### - SALES OFFICES -

##### West

150 River Oaks Parkway  
San Jose, CA 95134, U.S.A.  
Phone: +1-408-922-0200 Fax: +1-408-922-0238

##### Central

101 Virginia Street, Suite 290  
Crystal Lake, IL 60014, U.S.A.  
Phone: +1-815-455-7630 Fax: +1-815-455-7633

##### Northeast

301 Edgewater Place, Suite 120  
Wakefield, MA 01880, U.S.A.  
Phone: +1-781-246-3600 Fax: +1-781-246-5443

##### Southeast

3010 Royal Blvd. South, Suite 170  
Alpharetta, GA 30005, U.S.A.  
Phone: +1-877-EEA-0020 Fax: +1-770-777-2637

## EUROPE

---

### EPSON EUROPE ELECTRONICS GmbH

#### - HEADQUARTERS -

Riesstrasse 15  
80992 Muenchen, GERMANY  
Phone: +49-(0)89-14005-0 Fax: +49-(0)89-14005-110

#### - GERMANY -

##### SALES OFFICE

Altstadtstrasse 176  
51379 Leverkusen, GERMANY  
Phone: +49-(0)217-15045-0 Fax: +49-(0)217-15045-10

#### - UNITED KINGDOM -

##### UK BRANCH OFFICE

2.4 Doncastle House, Doncastle Road  
Bracknell, Berkshire RG12 8PE, ENGLAND  
Phone: +44-(0)1344-381700 Fax: +44-(0)1344-381701

#### - FRANCE -

##### FRENCH BRANCH OFFICE

1 Avenue de l'Atlantique, LP 915 Les Conquerants  
Z.A. de Courtaboeuf 2, F-91976 Les Ulis Cedex, FRANCE  
Phone: +33-(0)1-64862350 Fax: +33-(0)1-64862355

## ASIA

---

#### - CHINA -

##### EPSON (CHINA) CO., LTD.

28F, Beijing Silver Tower 2# North RD DongSanHuan  
ChaoYang District, Beijing, CHINA  
Phone: 64106655 Fax: 64107320

##### SHANGHAI BRANCH

4F, Bldg., 27, No. 69, Gui Jing Road  
Caohejing, Shanghai, CHINA  
Phone: 21-6485-5552 Fax: 21-6485-0775

#### - HONG KONG, CHINA -

##### EPSON HONG KONG LTD.

20/F., Harbour Centre, 25 Harbour Road  
Wanchai, HONG KONG  
Phone: +852-2585-4600 Fax: +852-2827-4346  
Telex: 65542 EPSCO HX

#### - TAIWAN, R.O.C. -

##### EPSON TAIWAN TECHNOLOGY & TRADING LTD.

10F, No. 287, Nanking East Road, Sec. 3  
Taipei, TAIWAN, R.O.C.  
Phone: 02-2717-7360 Fax: 02-2712-9164  
Telex: 24444 EPSONTB

##### HSINCHU OFFICE

13F-3, No. 295, Kuang-Fu Road, Sec. 2  
HsinChu 300, TAIWAN, R.O.C.  
Phone: 03-573-9900 Fax: 03-573-9169

#### - SINGAPORE -

##### EPSON SINGAPORE PTE., LTD.

No. 1 Temasek Avenue, #36-00  
Millenia Tower, SINGAPORE 039192  
Phone: +65-337-7911 Fax: +65-334-2716

#### - KOREA -

##### SEIKO EPSON CORPORATION KOREA OFFICE

50F, KLI 63 Bldg., 60 Yoido-Dong  
Youngdeungpo-Ku, Seoul, 150-010, KOREA  
Phone: 02-784-6027 Fax: 02-767-3677

#### - JAPAN -

##### SEIKO EPSON CORPORATION

##### ELECTRONIC DEVICES MARKETING DIVISION

##### Electronic Device Marketing Department

##### IC Marketing & Engineering Group

421-8, Hino, Hino-shi, Tokyo 191-8501, JAPAN  
Phone: +81-(0)42-587-5816 Fax: +81-(0)42-587-5624

##### ED International Marketing Department I (Europe & U.S.A.)

421-8, Hino, Hino-shi, Tokyo 191-8501, JAPAN  
Phone: +81-(0)42-587-5812 Fax: +81-(0)42-587-5564

##### ED International Marketing Department II (Asia)

421-8, Hino, Hino-shi, Tokyo 191-8501, JAPAN  
Phone: +81-(0)42-587-5814 Fax: +81-(0)42-587-5110





In pursuit of **“Saving” Technology**, Epson electronic devices.  
Our lineup of semiconductors, liquid crystal displays and quartz devices  
assists in creating the products of our customers’ dreams.  
**Epson IS energy savings.**

# EPSON

---

**SEIKO EPSON CORPORATION**  
**ELECTRONIC DEVICES MARKETING DIVISION**

■ Electronic devices information on Epson WWW server

<http://www.epson.co.jp>

First issue DECEMBER 1997, Printed JULY 1999 in Japan ® A