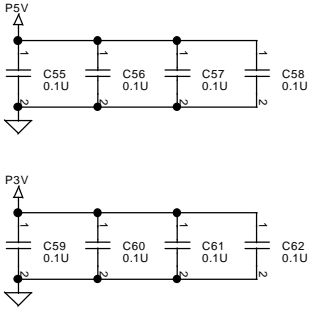
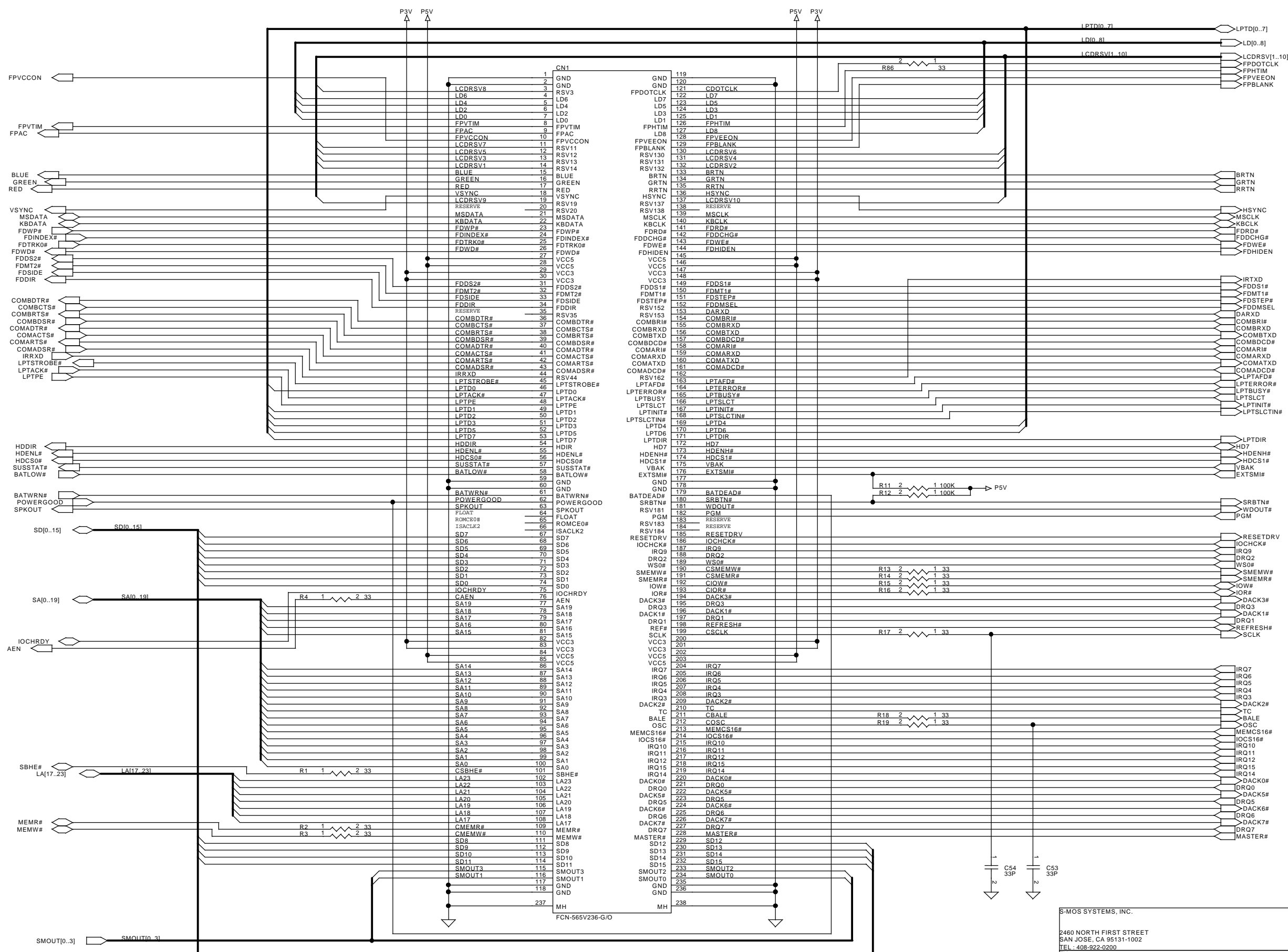


CARDIO CONNECTOR

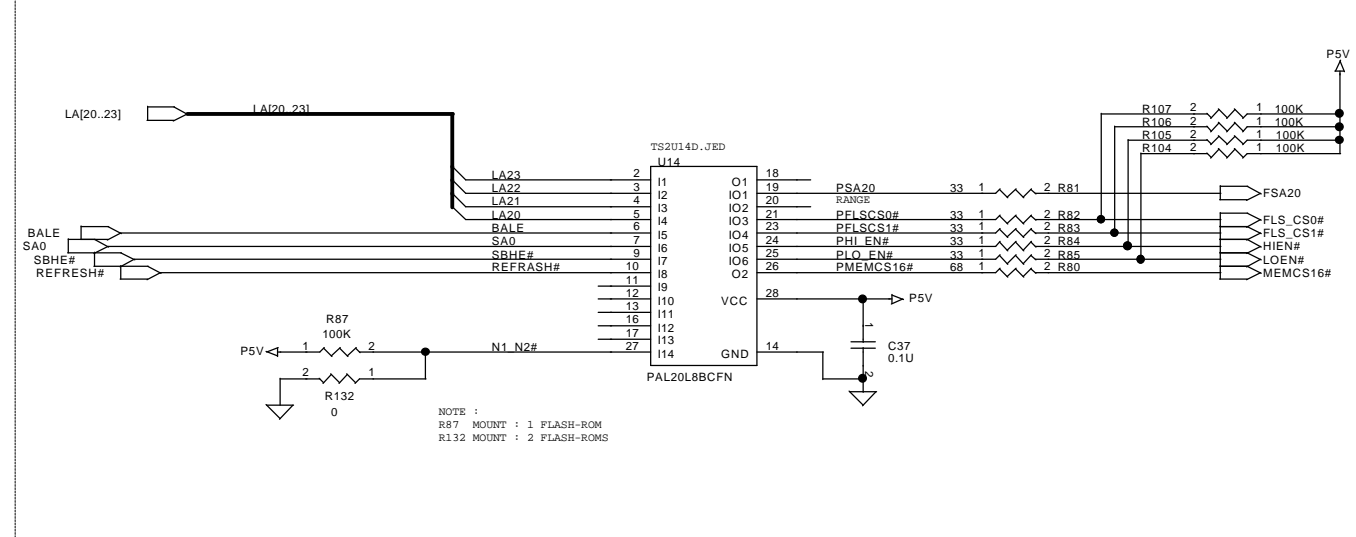


- LINK
- IWAD012.MP1
- IWAD013.MP1
- IWAD014.MP1
- IWAD015.MP1
- IWAD016.MP1

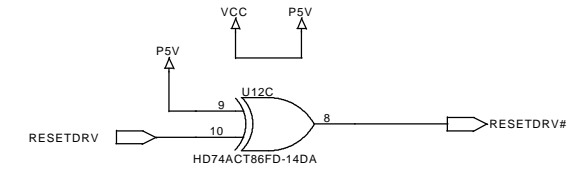
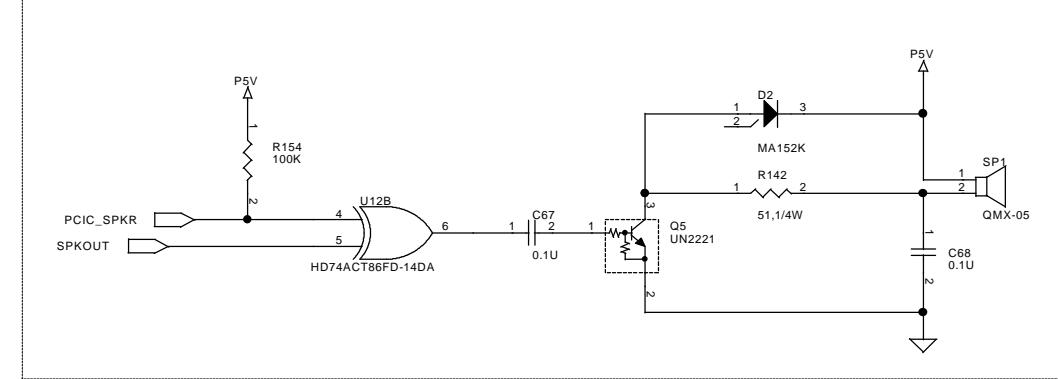
EPSON CONFIDENTIAL

S-MOS SYSTEMS, INC.
 2460 NORTH FIRST STREET
 SAN JOSE, CA 95131-1002
 TEL : 408-922-0200
 Title
 CardPresso (MP1)
 Size Document Number Rev
 A2 109-1001-D1 D1
 Date: Monday, July 08, 1996 Sheet 1 of 6

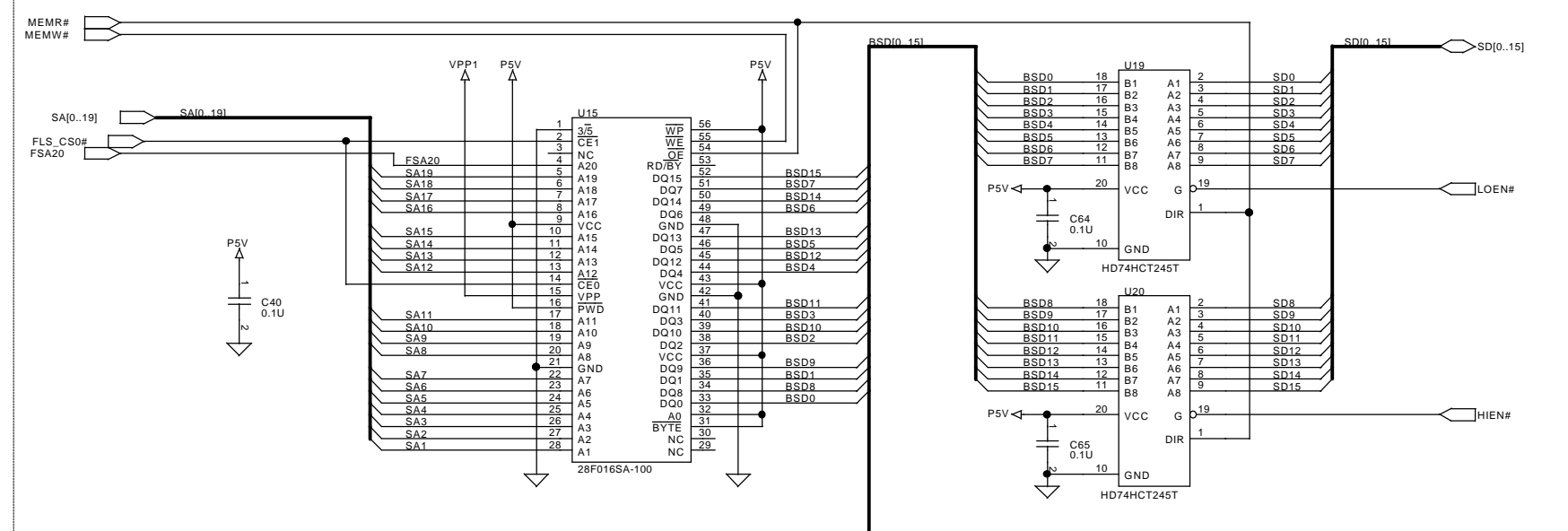
FLASH CONTROL



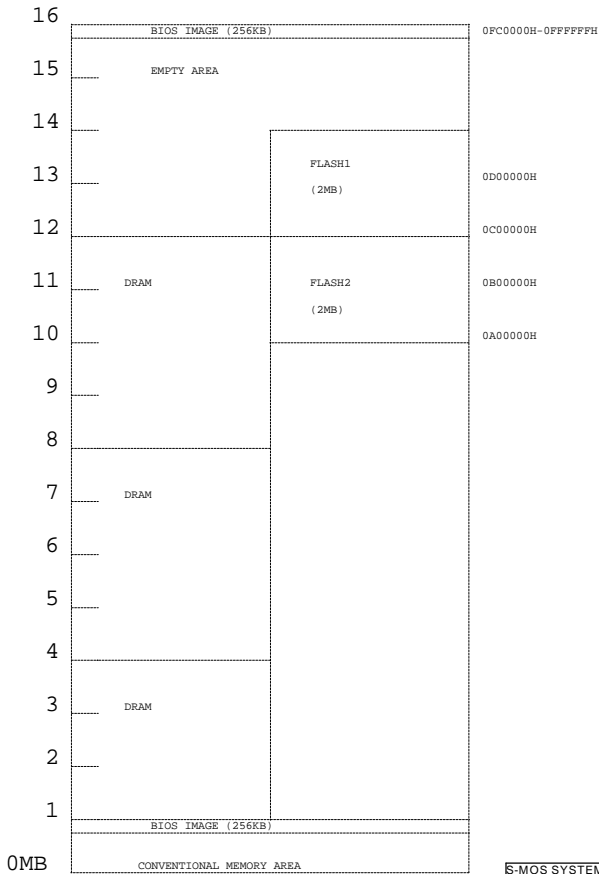
SPEAKER CIRCUIT



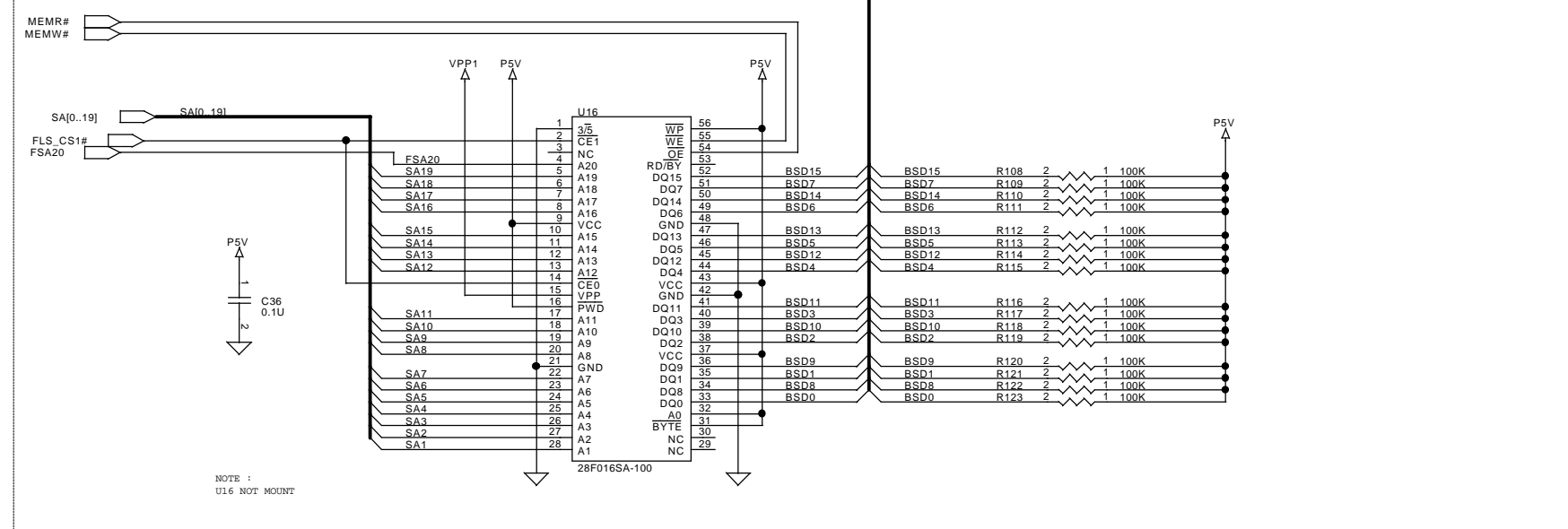
FLASH 1 (12MB,13MB)



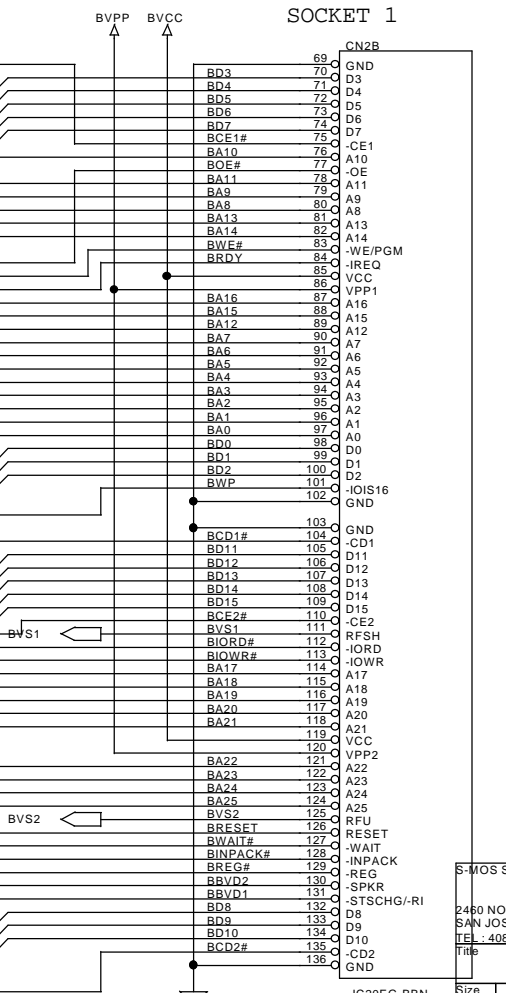
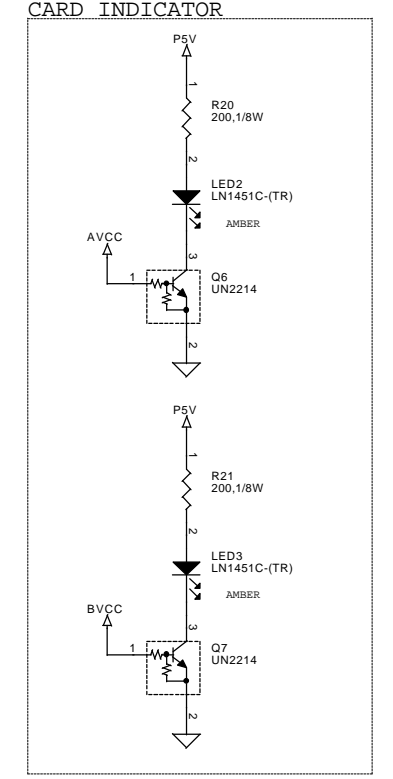
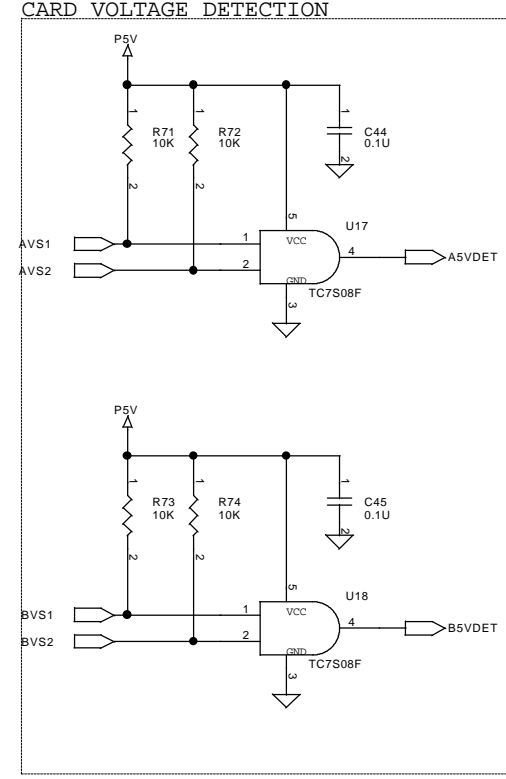
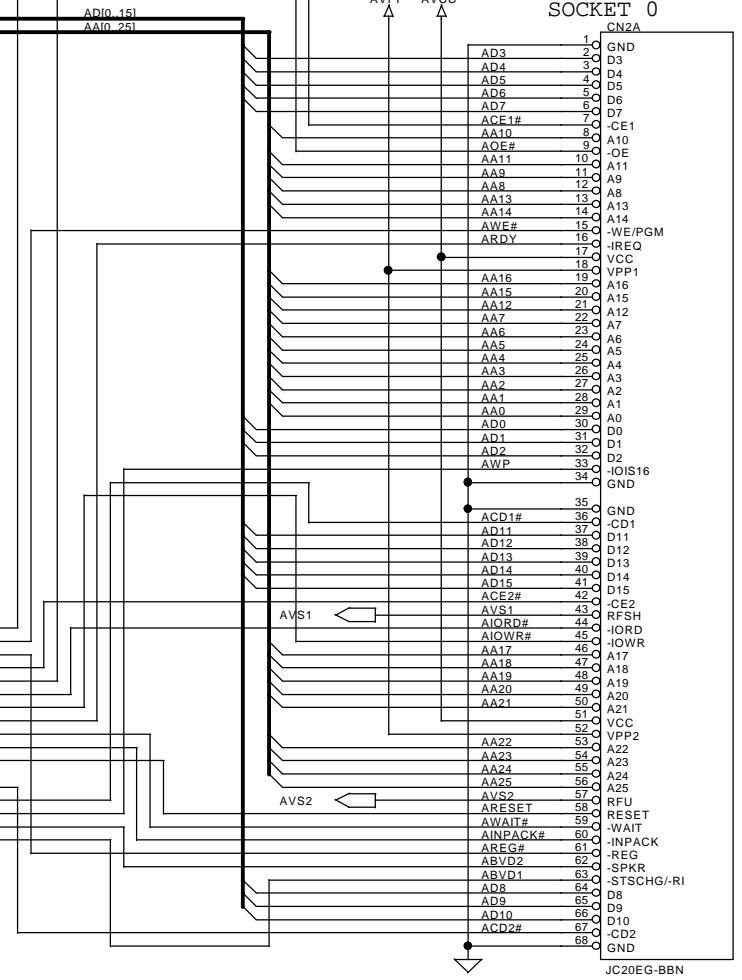
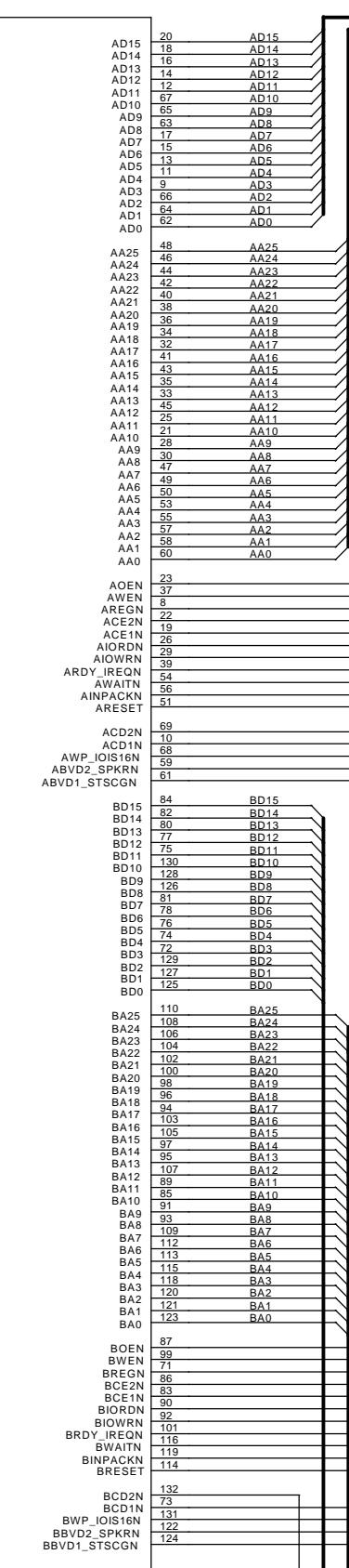
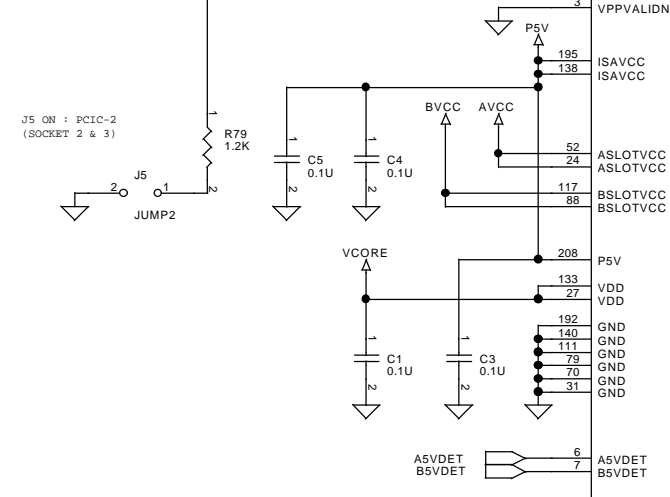
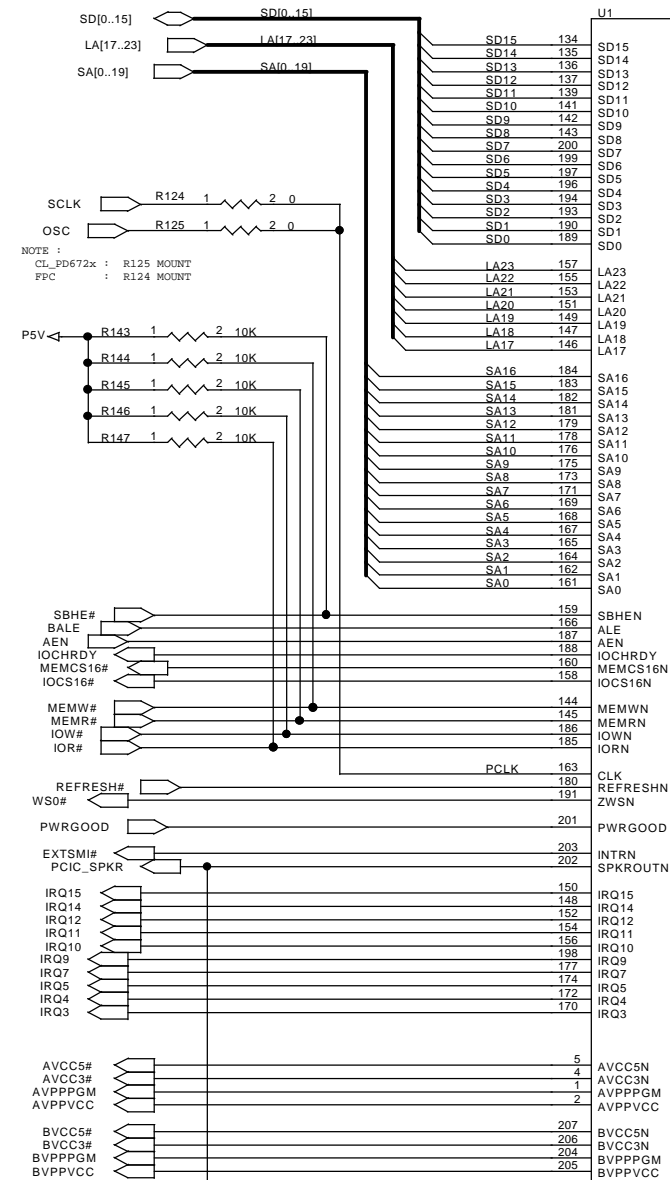
ISA MEMORY MAP



FLASH 2 (10MB,11MB)



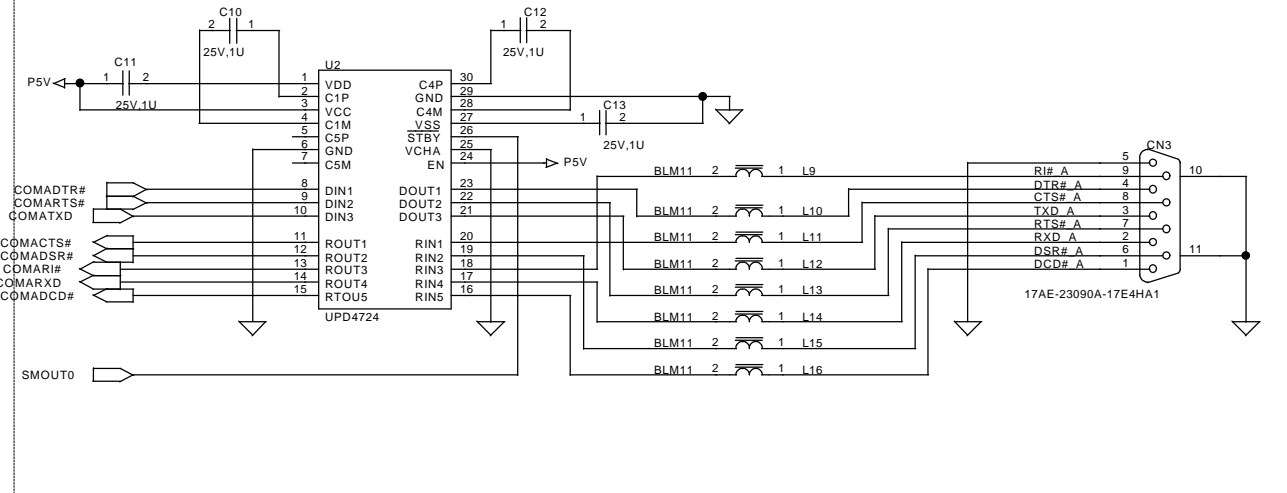
PCMCIA BLOCK



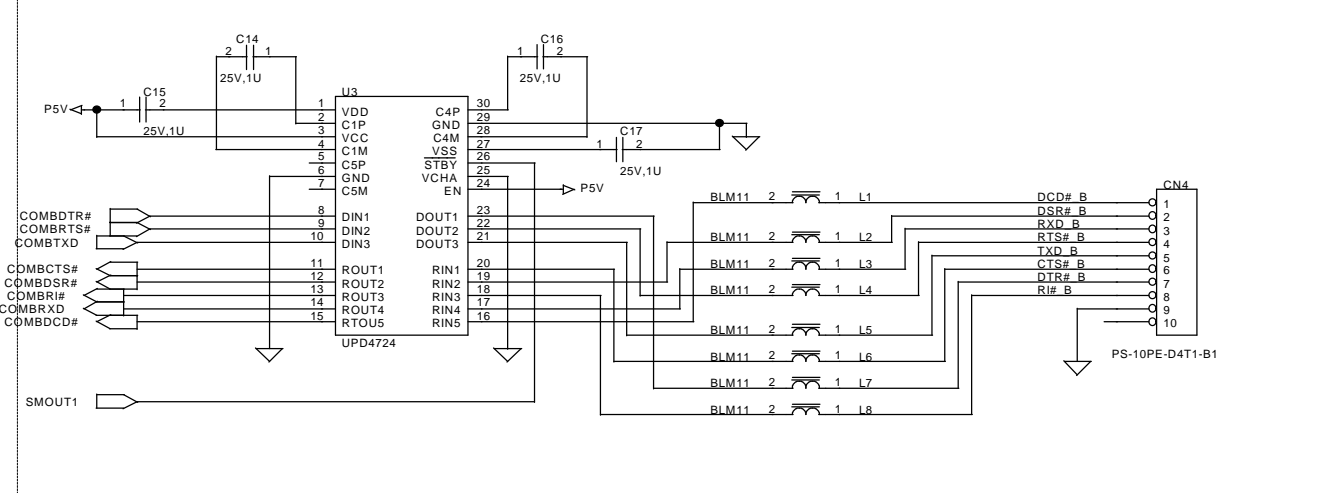
S-MOS SYSTEMS, INC.
 2480 NORTH FIRST STREET
 SAN JOSE, CA 95131-1002
 TEL: 408-922-0200
 Title: CardPresso (MP1)
 Size: A2
 Document Number: 109-1001-D1
 Date: Monday, July 08, 1996
 Sheet: 2 of 6
 Rev: D1

EXTERNAL PORTS

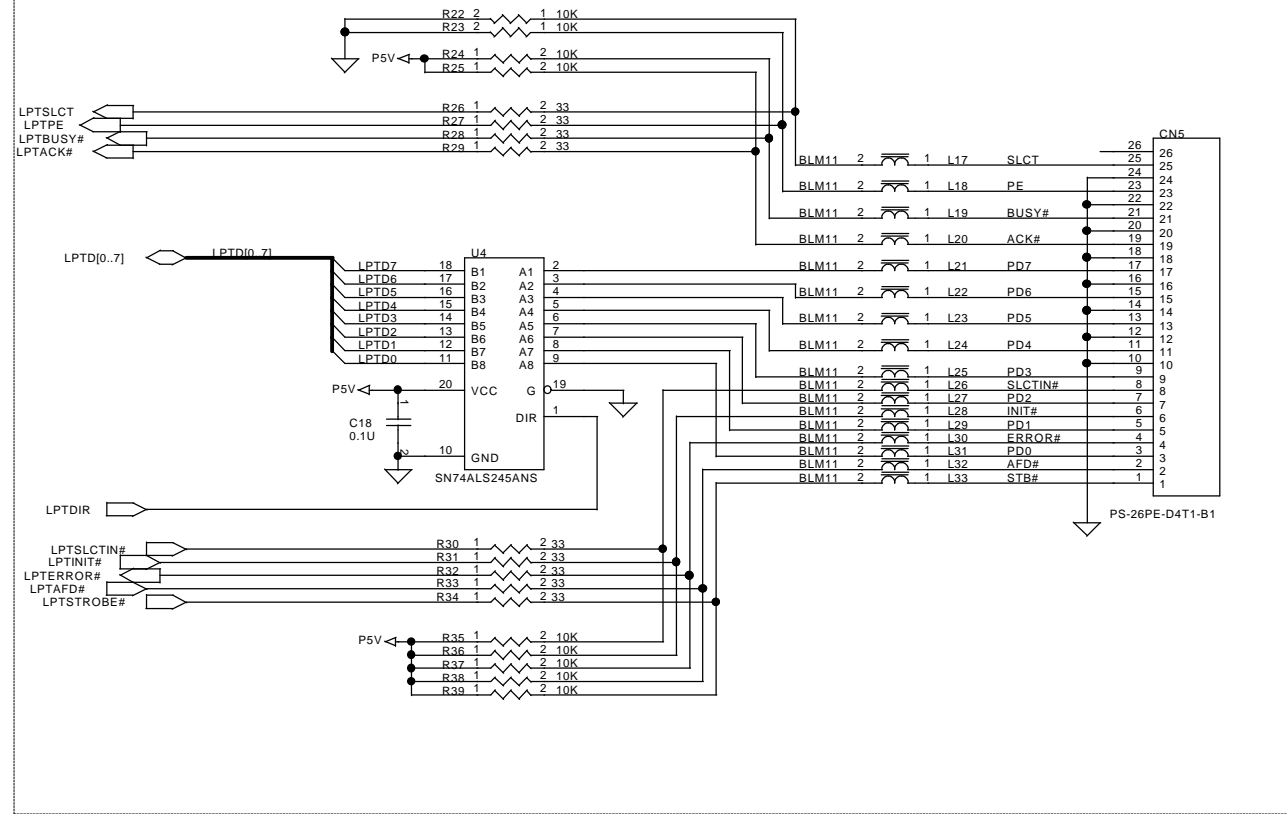
SERIAL PORT (COMA)



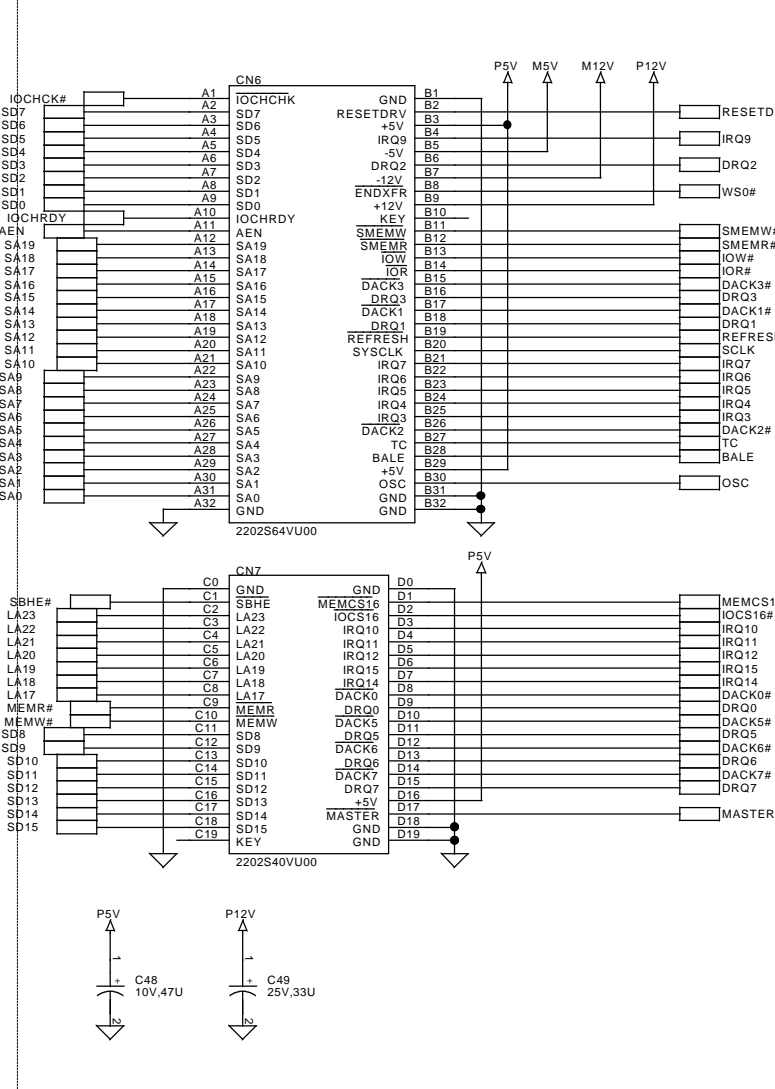
SERIAL PORT (COMB)



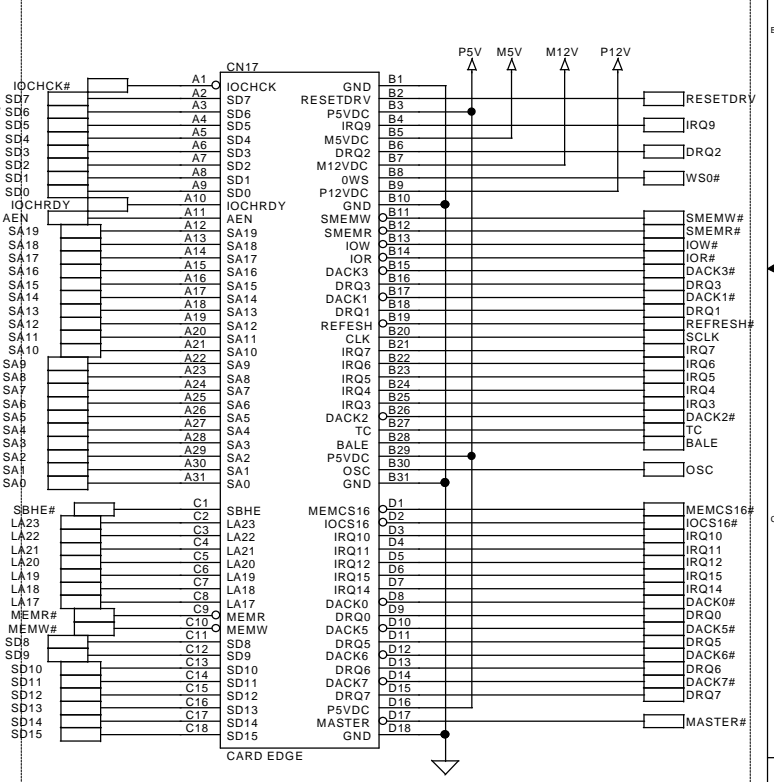
PARALLEL PORT



PC/104 CONNECTORS



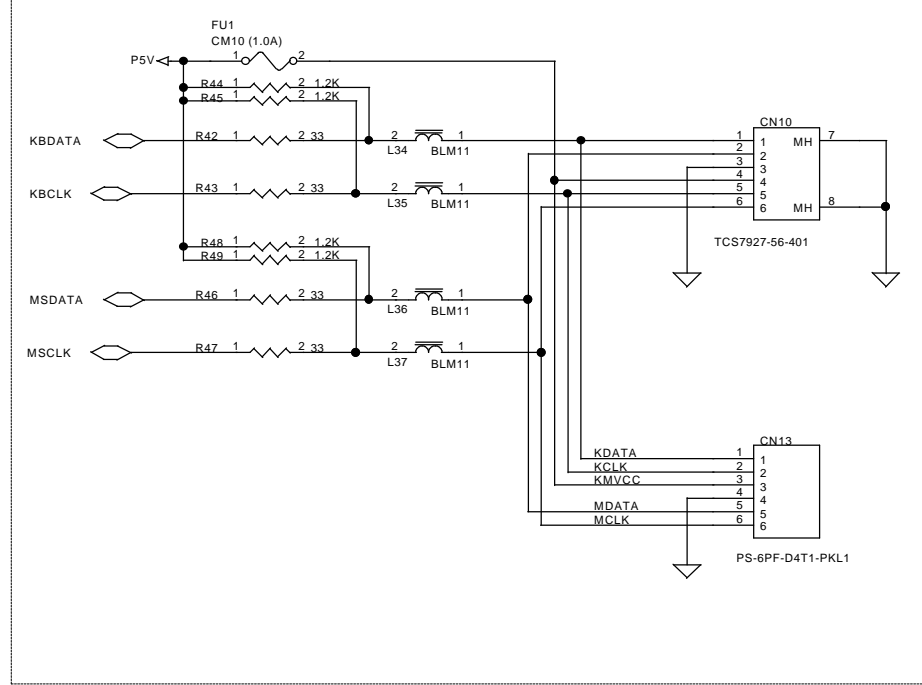
CARD EDGE



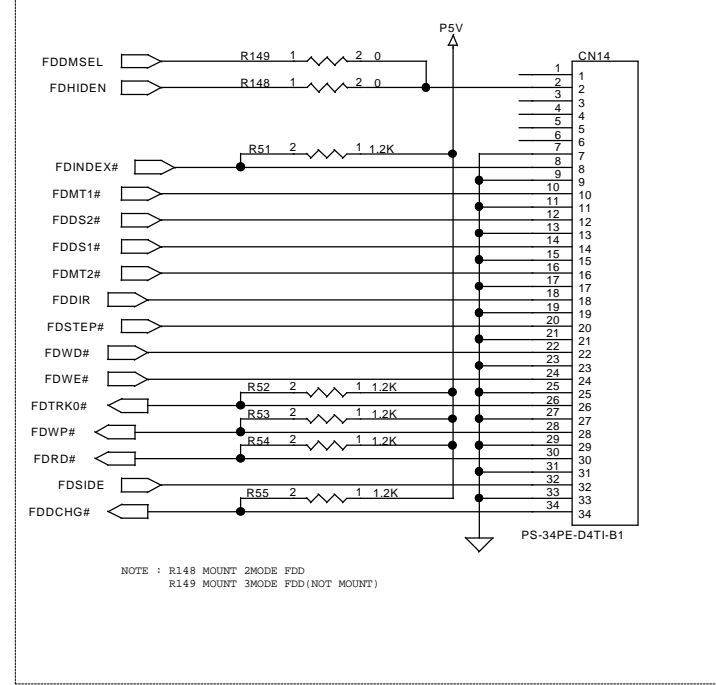
S-MOS SYSTEMS, INC.
 2460 NORTH FIRST STREET
 SAN JOSE, CA 95131-1002
 TEL : 408-922-0200
 Title
 CardPresso (MP1)
 Size A2 Document Number 109-1001-D1 Rev D1
 Date: Monday, July 08, 1996 Sheet 3 of 6

INTERFACE CIRCUITS

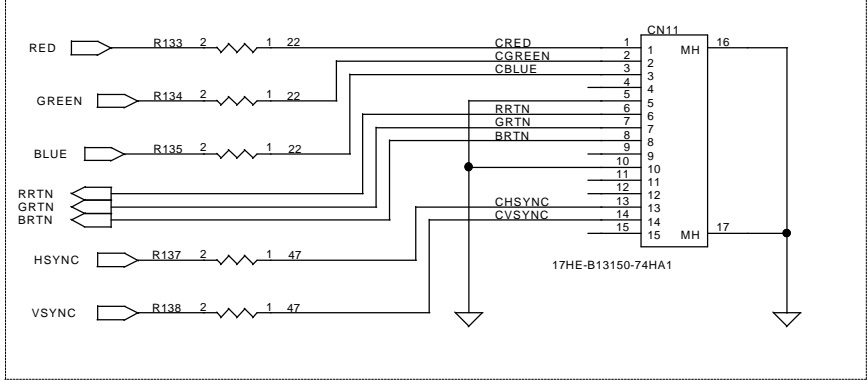
PS/2 KEYBOARD & MOUSE PORT



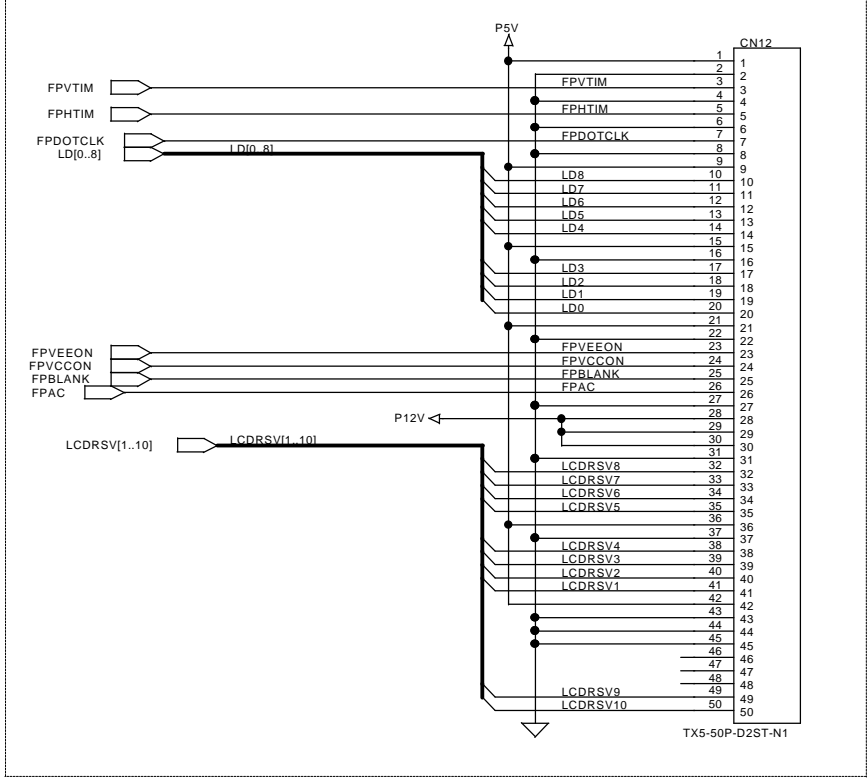
FDD INTERFACE



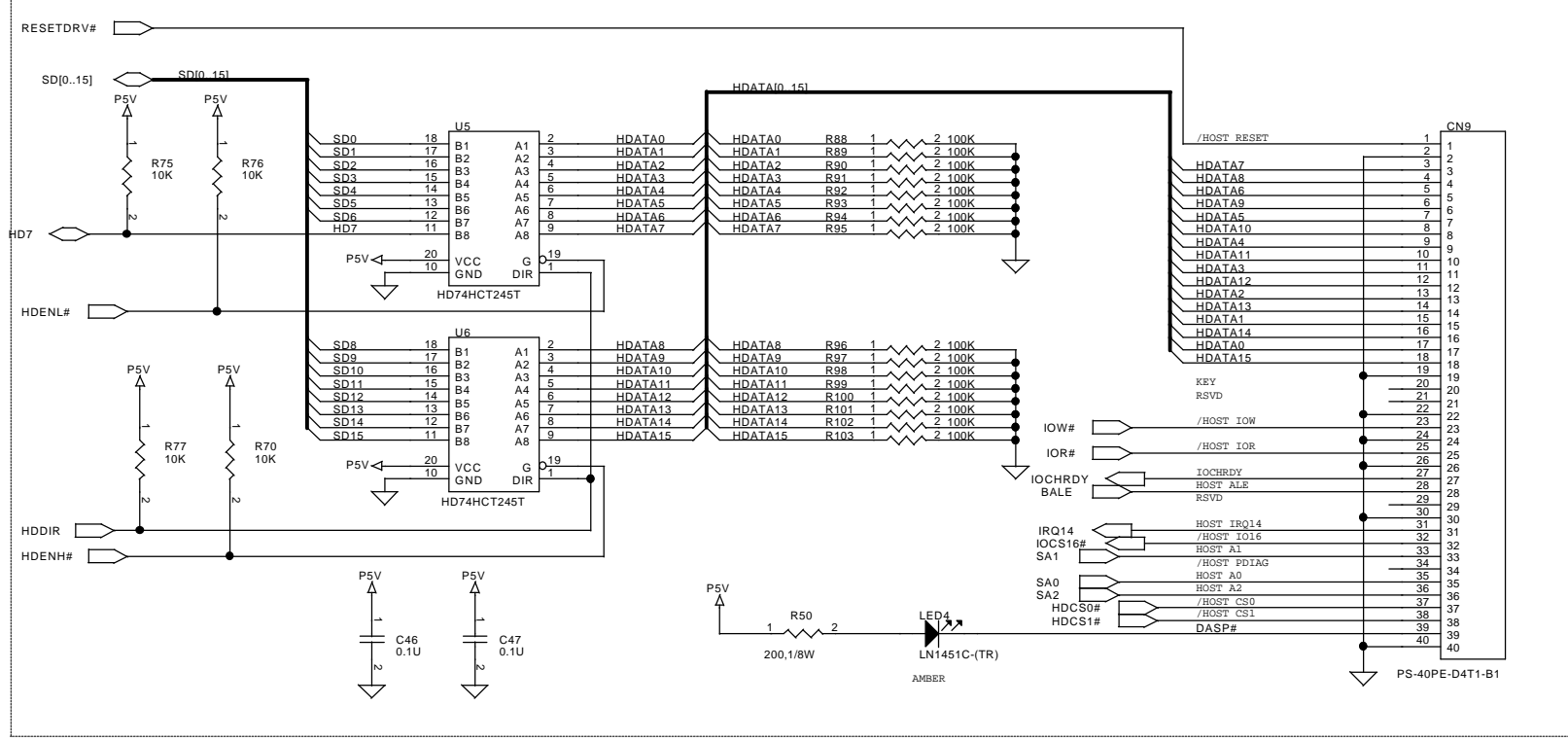
VGA PORT



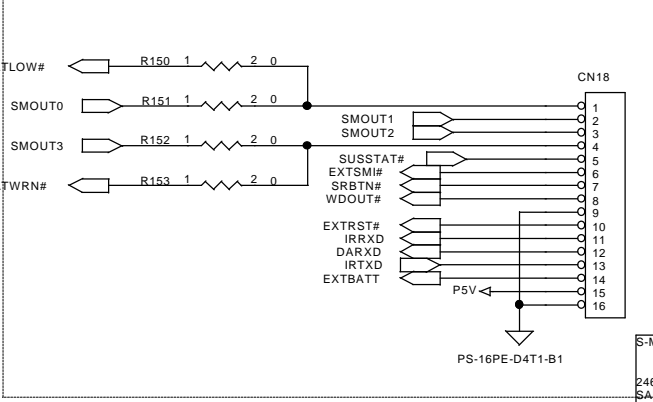
LCD MODULE I/F CIRCUIT



IDE INTERFACE



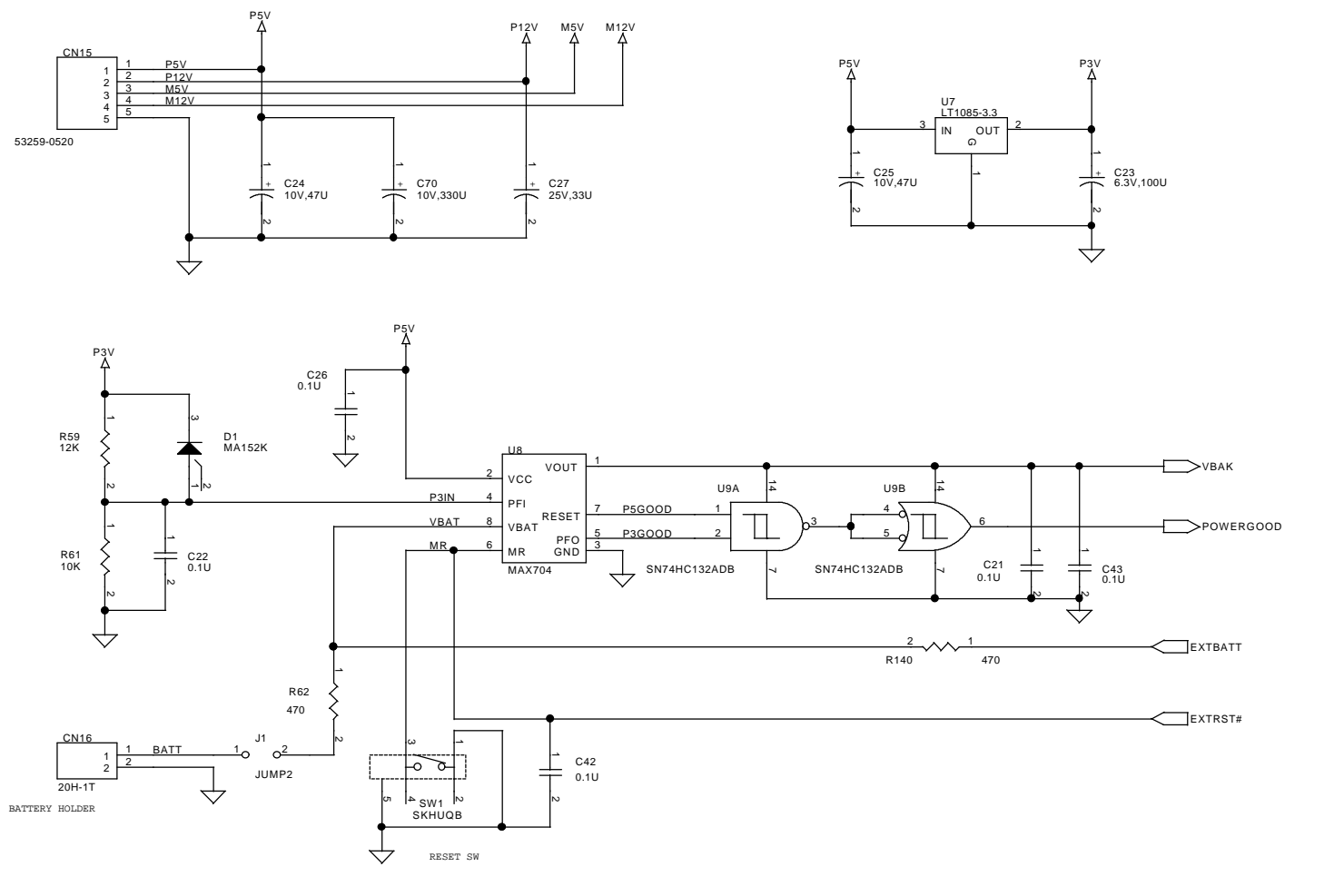
POWER MANAGEMENT



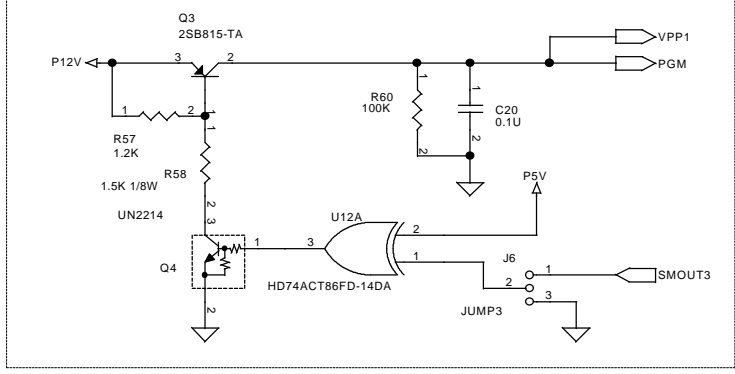
EPSON CONFIDENTIAL

S-MOS SYSTEMS, INC.
 2460 NORTH FIRST STREET
 SAN JOSE, CA 95131-1002
 TEL : 408-922-0200
 Title CardPresso (MP1)
 Size A2 Document Number 109-1001-D1 Rev D1
 Date: Monday, July 08, 1996 Sheet 4 of 6

MAIN POWER & RESET CIRCUIT

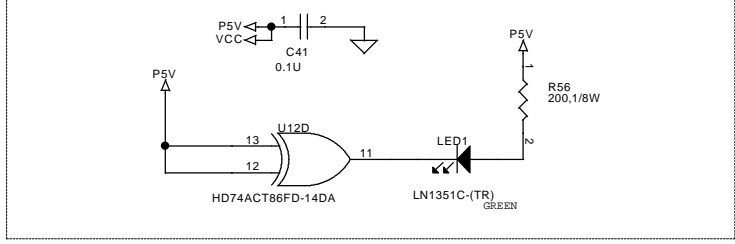


FLASH VPP CONTROL

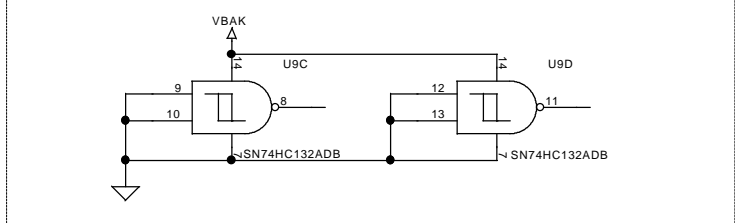


J6 SETTING
1-2 : NORMAL
2-3 : FLASH WRITE

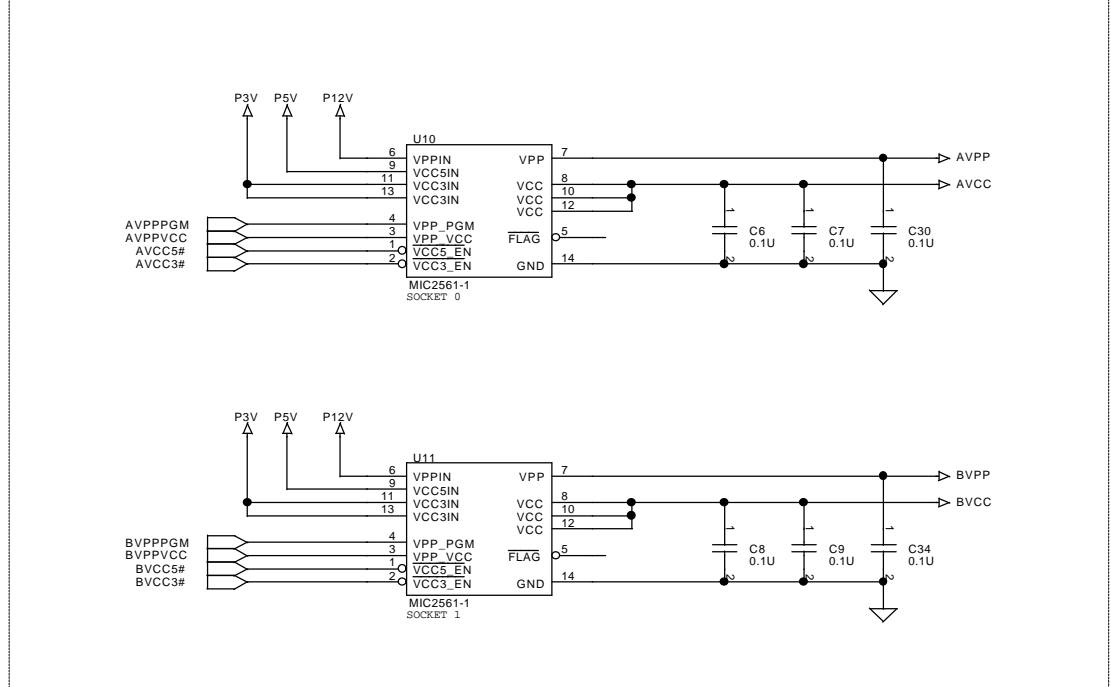
ACTIVITY INDICATOR



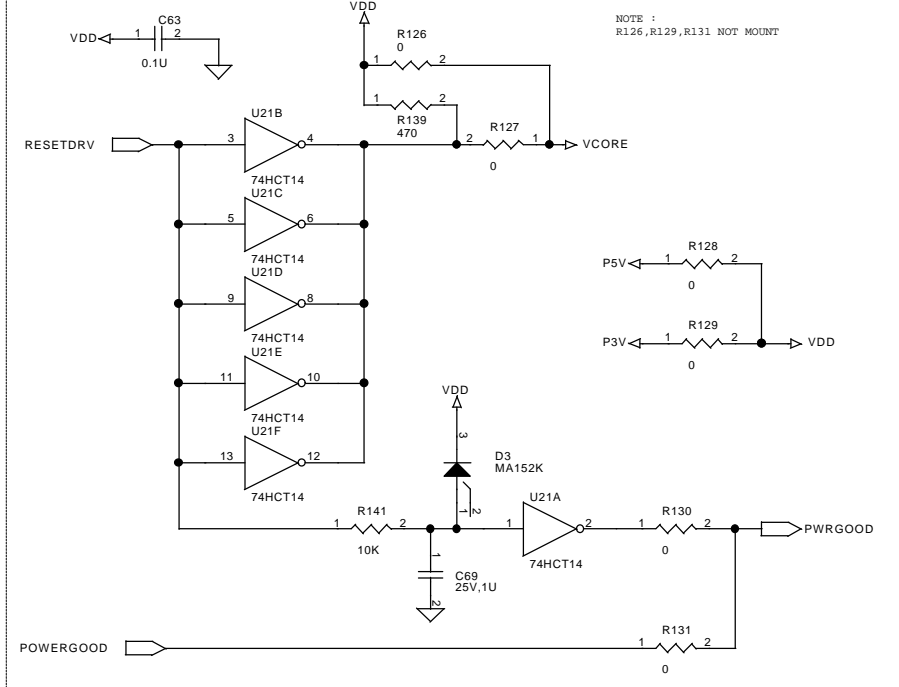
SPARE GATES



PCMCIA POWER CONTROL



VDD FAST RAMP CIRCUIT



SEIKO EPSON ISA PRODUCT GROUP		
Title	CardPresso (MP1)	
Size	Document Number	Rev
A2	109-1001-D1	D1
Date	Monday, July 08, 1996	Sheet 5 of 6