

# EPSON

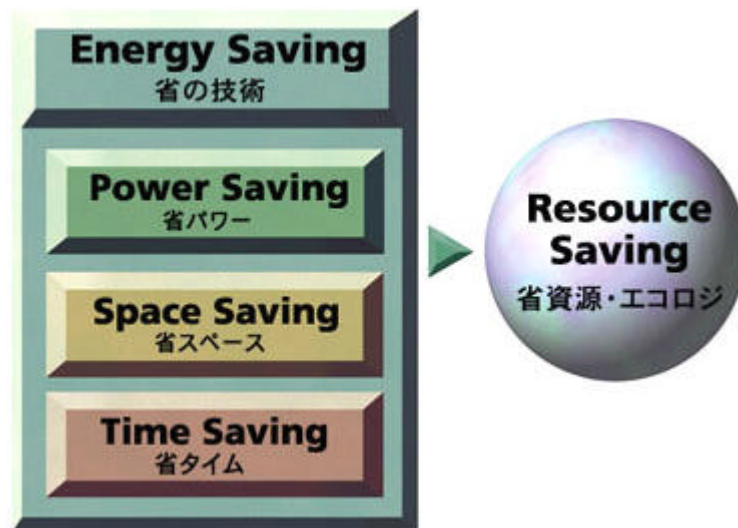
## CARD-E09A

### Evaluation Kit Instruction Manual (English)

Read this booklet first



# ENERGY SAVING EPSON



EPSON offers effective savings to its customers through a wide range of electronic devices, such as semiconductors, liquid crystal display (LCD) modules, and crystal devices. These savings are achieved through a sophisticated melding of three different efficiency technologies.

Power saving technology provides low power consumption at low voltages.

Space saving technology provides further reductions in product size and weight through super-precise processing and high-density assembly technology.

Time saving technology shortens the time required for design and development on the customer side and shortens delivery times.

Our concept of Energy Saving technology conserves resources by blending the essence of these three efficiency technologies. The essence of these technologies is represented in each of the products that we provide to our customers.

In the industrial sector, leading priorities include measures to counter the greenhouse effect by reducing CO<sub>2</sub>, measures to preserve the global environment, and the development of energy-efficient products. Environmental problems are of global concern, and although the contribution of energy saving technology developed by EPSON may appear insignificant, we seek to contribute to the development of energy-saving products by our customers through the utilization of our electronic devices.

EPSON is committed to the conservation of energy, both for the sake of people and of the planet on which we live.

# CARD-E09A Evaluation Kit Instruction Manual (English)

**CARD-E09A**

**Evaluation Kit Instruction Manual  
(English)**

**NOTICE:**

No part of this material may be reproduced or duplicated in any form or by any means without the written permission of Seiko Epson. Seiko Epson reserves the right to make changes to this material without notice. Seiko Epson does not assume any liability of any kind arising out of any inaccuracies contained in this material or due to its application or use in any product or circuit and, further, there is no representation that this material is applicable to products requiring high level reliability, such as, medical products. Moreover, no license to any intellectual property rights is granted by implication or otherwise, and there is no representation or warranty that anything made in accordance with this material will be free from any patent or copyright infringement of a third party. This material or portions thereof may contain technology or the subject relating to strategic products under the control of the Foreign Exchange and Foreign Trade Control Law of Japan and may require an export license from the Ministry of International Trade and Industry or other approval from another government agency.

©SEIKO EPSON CORPORATION 1999 All rights reserved.

CompactFlash™ is a trademark of Sandisk Corporation. CompactFlash™ is licensed to CFA (CompactFlash Association). PS/2 and VGA are trademarks and/or registered trademarks of International Business Machines Corporation. ETHERNET is a registered trademark of Xerox limited.

All other product names mentioned herein are trademarks and/or registered trademarks of their respective companies.

## Contents

<b>1 INTRODUCTION .....</b>	<b>1</b>
<b>2 HANDLING PRECAUTIONS .....</b>	<b>1</b>
<b>3 HOW TO ACQUIRE LATEST UPDATING OF THE RELEVANT INFORMATION</b>	<b>1</b>
<b>4 CONTENTS OF THE EVALUATION KIT .....</b>	<b>2</b>
<b>5 EXPLANATIONS FOR THE CONTENTS .....</b>	<b>3</b>
5.1 Manuals.....	3
5.2 Softwares.....	3
5.3 Evaluation boards .....	4
5.4 Peripheral equipment .....	4
5.5 Cable sets .....	5
5.6 Others.....	6
<b>6 INSTALLATION PROCEDURES FOR THE EVALUATION BOARD .....</b>	<b>6</b>
6.1 Installation of the CARD-E09A Evaluation Board and the ISH board.....	6
6.1.1 Installing the CARD-E09A Evaluation Board and the ISH board .....	6
6.1.2 Installing the CompactFlash card .....	8
6.1.3 Installing the CARD-E09A .....	9
6.2 Connections of the peripheral equipment.....	9
6.2.1 Connecting the cable sets .....	9
6.2.2 Connecting the keyboard and the mouse.....	10
6.2.3 Connecting the CRT.....	10
6.2.4 Connecting the power unit.....	10
<b>7 STARTING UP THE EVALUATION KIT .....</b>	<b>11</b>
7.1 Backup the master ATA card.....	11
7.2 Starting up the Windows CE 2.11 demonstration images.....	11
7.3 Debugging methods.....	12
<b>8 End-User License Agreement for MicroSoft Windows CE 2.11.....</b>	<b>13</b>

## 1 INTRODUCTION

Thank you very much for your purchase of our CARD-E09A and the evaluation kit for the CARD-E09A. This evaluation kit for the CARD-E09A incorporates documents necessary for development of systems using the CARD-E09A, softwares, evaluation boards which are necessary to make evaluations of the CARD-E09A, peripheral equipment and cables.

## 2 HANDLING PRECAUTIONS

- When installing the CARD-E09A, make sure the jumper "JP2" on the SH card extension board is being set so as to short-circuit its 2-3 Pins. Otherwise, means if this setting is wrong, the CARD-E09A may become broken.
- When a system starting PROM is not being connected to the CN15 of the CARD-E09A Evaluation Board, set the "JP1" to "open" state. Otherwise, the system will not start operation.
- Always install the CARD-E09A Evaluation Board or ISH board on a level stand or table.
- Since electric circuits of the CARD-E09A Evaluation Board and ISH board are being exposed to outside atmosphere, existence of electrically conductive substance or dust on the surfaces installing these boards may cause shorting failures in their circuits.  
Do not use these boards under dusty environments.
- To prevent destructions of the elements, use the under an environment where necessary measures to deal with static electricity have duly been taken.
- When connecting and disconnecting the connectors, always turn of the power supply.
- The boards and peripheral equipment being incorporated in the evaluation kit for the CARD-E09A are merely for the evaluation purposes and they cannot be incorporated into any other.

## 3 HOW TO ACQUIRE LATEST UPDATING OF THE RELEVANT INFORMATION

We are providing product information of our CARD-PC's and electronic devices through the Internet. Refer to the web site for SEIKO-EPSON's electronic devices to acquire latest information.

URL <http://www.epson.co.jp/device/>

## 4 CONTENTS OF THE EVALUATION KIT

The evaluation kit for the CARD-E09A consists of the following items.

### Various manuals

- CARD-E09A Evaluation Kit Instruction Manual (this manual)
- CARD-E09A Hardware Manual
- CARD-E09A Application Note (including reference circuit diagrams)
- CARD-E09A Evaluation Kit Software Manual
- CARD-E09A Evaluation Kit Hardware Manual
- SED1355F<sub>0A</sub> Technical Manual

### Softwares

- Quick debugger (being installed in the ATA card)
- Windows CE 2.11 demonstration image (being installed in the CompactFlash card)

### Evaluation boards

- CARD-E09A Evaluation Board (SCE88J1B01)
- ISH Board (SCE88J2B01)

### Peripheral equipment

- CompactFlash card
- ATA card
- Power unit

### Cable sets

- MOUSE/KEYBOARD branching connector (PS/2 splitter)
- SERIAL conversion cable (SHEX#01A)× 2 units
- PARALLEL conversion cable (SHEX#02A)
- SCIF/MISC connector extension cable (SHEX#03A)× 2 units
- LCD connector extension cable (SHEX#04A)
- Speaker module (SHEX#05A)

### Others

- Adaptor for the ATA card
- AC240V conversion plug



- Hexagonal spacers for installation of the CARD-E09A Evaluation Board/ISH Board
- Hexagonal spacers for installation of the CARD-E09A

## 5 EXPLANATIONS FOR THE CONTENTS

### 5.1 Manuals

#### **CARD-E09A Hardware Manual:**

This is an instruction manual introducing the hardware specifications and functions of the CARD-E09A.

#### **CARD-E09A Application Note (including reference circuit diagrams):**

This document introduces circuit configuration examples when designing products using the CARD-E09A, precautions when making designings and connection methods to different LCD's. Also, reference circuit diagrams using the CARD-E09A Evaluation Board as the basic equipment.

#### **CARD-E09A Evaluation Kit Software Manual:**

This is a summarized manual outlining the IPL and loader for the CARD-E09A through starting up of the Windows CE. For more details, refer to the instruction manual being attached to the SH-CARD Windows CE2.11 Development Kit. This document also describes the explanations for the specifications of the quick debugger for the CARD-E09A.

#### **CARD-E09A Evaluation Kit Hardware Manual:**

This is an instruction manual describing the hardware specifications and functions of the evaluation board for the CARD-E09A, CARD-E09A Evaluation Board and ISH Board.

#### **SED1355F<sub>0A</sub> Technical Manual:**

This is an instruction manual describing the specifications and functions of the LCD controller SED1355F<sub>0A</sub> being used into the CARD-E09A. Regarding the settings of the SED1355F<sub>0A</sub>, refer to the "CARD-E09A Application Note" and "CARD-E09A Evaluation Kit Software Manual" at the same time.

### 5.2 Softwares

#### **Quick debugger:**

This is a hardware debugging tool for use with the systems using the CARD-E09A. With this debugger, system memory read/write and parameter-setting/parameter-checking, editing registers, LCD controller parameter-setting can be tested .

This debugger is installed into the ATA card being packed in this evaluation kit. For details, refer to the "CARD-E09A Evaluation Kit Software Manual".

**Windows CE 2.11 Demonstration Image:**

This is a demonstration image of the Windows CE 2.11 Full Version. It is pre-installed into the Compact Flash card being packed in this evaluation kit. Be sure to confirm the contents of the "End-User License Agreement for MicroSoft Software" being referred to in Chapter 8 of this document and being attached as the ending pages of this document.

### 5.3 Evaluation boards

**SH card extension board (SCE88J1B01):**

The SH card extension board is an evaluation board for the CARD-E09A. In addition to various interfaces for the CARD-E09A, it is equipped with the Ethernet controller (10Base-T) which is compatible with the NE2000. The key functions of the CARD-E09A can be evaluated by use of this CARD-E09A Evaluation Board.

**ISH Board (SCE88J2B01):**

The ISH Board is an evaluation board for the CARD-E09A which is additional board of the CARD-E09A Evaluation Board. It is provided with debug LED, connectors for connection of the logic analyzer and universal board area.

### 5.4 Peripheral equipment

**CompactFlash card:**

This is being inserted to the ATA card adapter and packed in this package. Windows CE 2.11 demonstration image is already pre-installed.

**ATA card:**

This is a PCMCIA Type II ATA card. The simplified debugger is already pre-installed .

**Power unit:**

This power unit is equipped with the AC cable and the DC cable. Do not disconnect the cables under any circumstances.

Input voltage: AC 100V/120V/240V

Output voltage: +5V 3.0A, +12V 1.2A and -12V 0.5A

## 5.5 Cable sets

These are evaluation cable sets for connections to various interface connectors of the CARD-E09A Evaluation Board.

### **MOUSE/KEYBOARD branching connector (PS/2 splitter):**

By connecting this branching connector to the MOUSE/KEYBOARD connector (CN7), the mouse and keyboard become usable simultaneously.

### **SERIAL conversion cable (SHEX#01A):**

Although the SERIAL3 (CN8) and SERIAL4 (CN10) connectors conforming to the RS232C are pin header type connectors, this SERIAL conversion cable works to convert them to the D-SUB 9-pin connectors.

Connection should be so made that the Pin No. 1 side (being marked "1" or "▲" on the printed circuit board by silk-printing) and the marking "▲" being printed on the female connector the cable set may be aligned. Meanwhile, the signal lead of the Pin No. 1 of the cable set is being coded by red-colored insulator cover.

### **PARALLEL conversion cable (SHEX#02A):**

Although the PARALLEL connector (CN9) is a pin header type connector, this PARALLEL conversion cable works to convert it to the D-SUB 25-pin connector.

Connection should be so made that the Pin No. 1 side (being marked "1" or "▲" on the printed circuit board by silk-printing) and the marking "▲" being printed on the female connector of the cable set may be aligned. Meanwhile, the signal lead of the Pin No. 1 of the cable set is being coded by red-colored insulator cover.

### **SCIF/MISC connector extension cable (SHEX#03A):**

This is an extension cable for signals through the SERIAL0, the SERIAL1/IrDA (MISC connector: CN4) and the SERIAL2 (SCIF connector: CN6).

### **LCD connector extension cable (SHEX#04A):**

This is an extension cable for signals through the LCD connector (CN3). It should be very convenient to use this cable set after making suitable reworking when connecting an LCD.

### **Speaker module (SHEX#05A):**

This module is to be connected to the speaker connector (CN12). The volume can be controlled by use of the VR1.

## 5.6 Others

### **Adapter for the ATA card:**

Use this adapter when inserting the Compact Flash card into the 68-pin type PC card slot. With this evaluation kit, the Compact Flash card is already inserted into the adapter and being packed into this package.

### **AC240V conversion adapter plug:**

This is an adapter plug for use with the AC240V plug socket. Use this adapter plug connecting to the AC cable of the power unit.

### **Hexagonal spacers for installation of the CARD-E09A Evaluation Board/ISH Board:**

These are male and female type hexagonal spacers (M3, L=16mm) for installation of the SH card extension board and the ISH board. 10 pieces each of the male type hexagonal spacers and female type hexagonal spacers are being packed in this package.

### **Hexagonal spacers, screws and nuts for installation of the CARD-E09A:**

These are male type hexagonal spacers (M2, L=7mm), nuts and screws for installation of the CARD-E09A. 3 pieces each of the male type hexagonal spacers, M2 nuts and screws are being packed in this package.

## 6 INSTALLATION PROCEDURES FOR THE EVALUATION BOARD

For evaluation of the CARD-E09A, a multi-scan type VGA monitor, PS/2 keyboard and PS/2 mouse become necessary in addition to the accessories being attached to this evaluation kit.

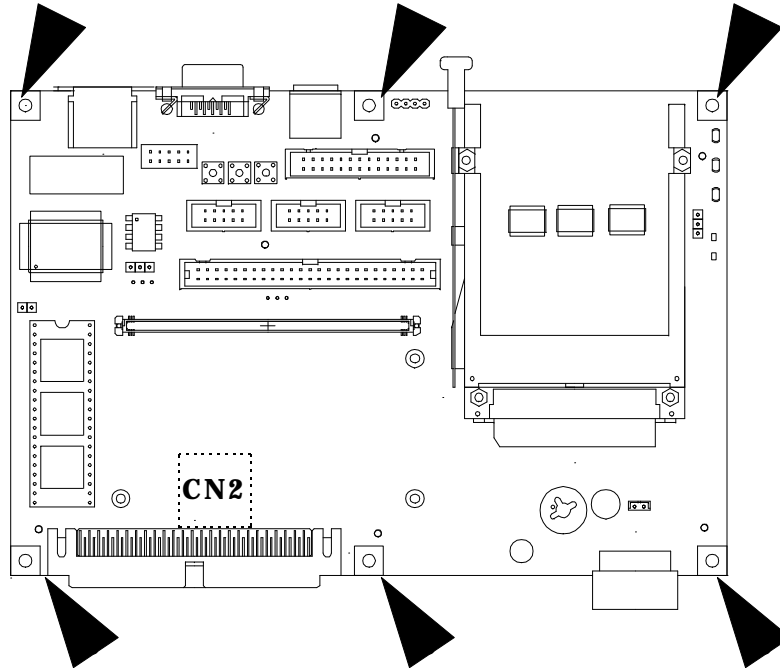
### 6.1 Installation of the CARD-E09A Evaluation Board and the ISH Board

#### 6.1.1 Installing the CARD-E09A Evaluation Board and the ISH Board

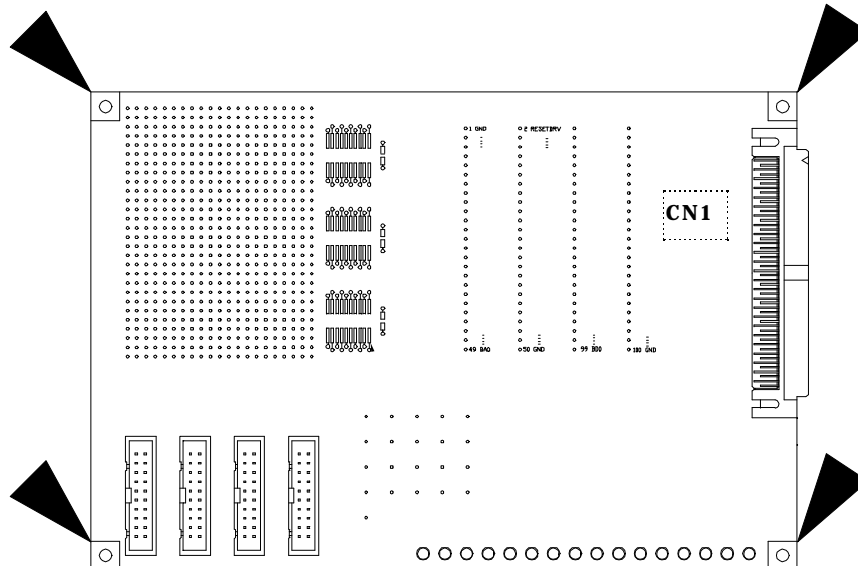
##### 6.1.1.1 Hexagonal spacers

- Use these hexagonal spacers to prevent direct contact of the mounted parts to the installation site surface while the CARD-E09A Evaluation Board and the ISH Board are in use.
- Install them to the printed circuit board mounting holes as shown in the schematic diagram given below. These printed circuit board mounting holes are provided at

6 places with the CARD-E09A Evaluation Board and at 4 places with the ISH Board.



<CARD-E09A Evaluation Board>



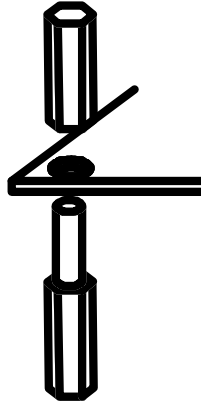
<ISH Board>

- Designated below are the installation procedures for the board mounting hexagonal spacers:

(1) Prepare the following parts included in this evaluation kit.

- Male type hexagonal spacer (M3) (L=16mm): 10 pieces
- Female type hexagonal spacer (M3) (L=16mm): 10 pieces

(2) Insert the pinned end of the male type hexagonal spacers into the 10 holes being provided in the printed circuit board before fastening the board fitting the female type hexagonal spacers, respectively.



#### 6.1.1.2 Connecting the CARD-E09A Evaluation Board and the ISH Board

- Connect the CN2 of the CARD-E09A Evaluation Board to the CN1 of the ISH Board.

#### 6.1.2 Installing the Compact Flash card

When conducting system evaluations, we recommend you to insert the Compact Flash card in the state being connected to the adapter for the ATA card as is into the PCMCIA slot of the CARD-E09A Evaluation Board.

Under this state, it is also possible to start up the Windows CE 2.11 demonstration image. For details, refer to Section 7.2 "Starting up of the Windows CE 2.11 demonstration image" in this document.

Designated below are the procedures for installation of the CARD-E09A to the Compact Flash card connector:

- Detach the CompactFlash card from the adapter for the ATA card.
- Insert the Compact Flash card to the Compact Flash card connector of the CARD-E09A.

When doing this, direct the upper side of the Compact Flash card upward. As erroneous insertion preventive guide key is being provided, make the insertion fitting to the guide key.

### 6.1.3 Installing the CARD-E09A

- Install the CARD-E09A to the CN1 of the CARD-E09A Evaluation Board.
- Designated below are the installation procedures for the CARD-E09A:

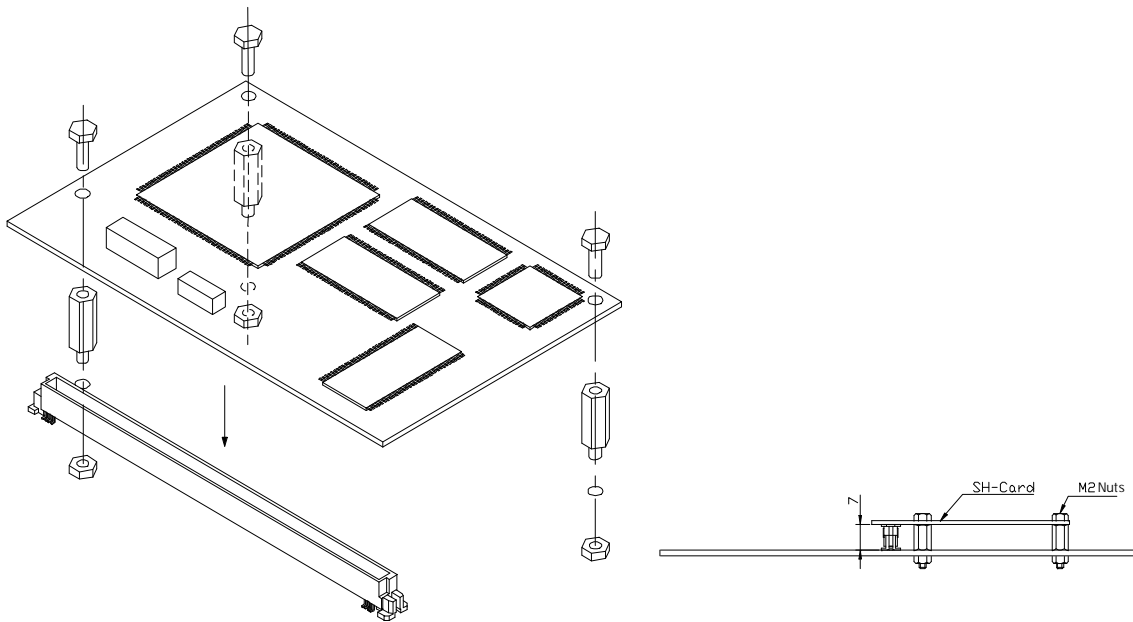
(1) Prepare the following parts included in this evaluation kit.

- Hexagonal spacer (M2) (L=7mm): 3 pieces
- Nuts (M2): 3 pieces
- Screws (M2): 3 pieces

(2) Insert the pinned end of the hexagonal spacers into the 3 holes being provided in the printed circuit board before fastening the board by use of the mating nuts.

(3) After that, insert the CARD-E09A into the CN1 securely as illustrated below.

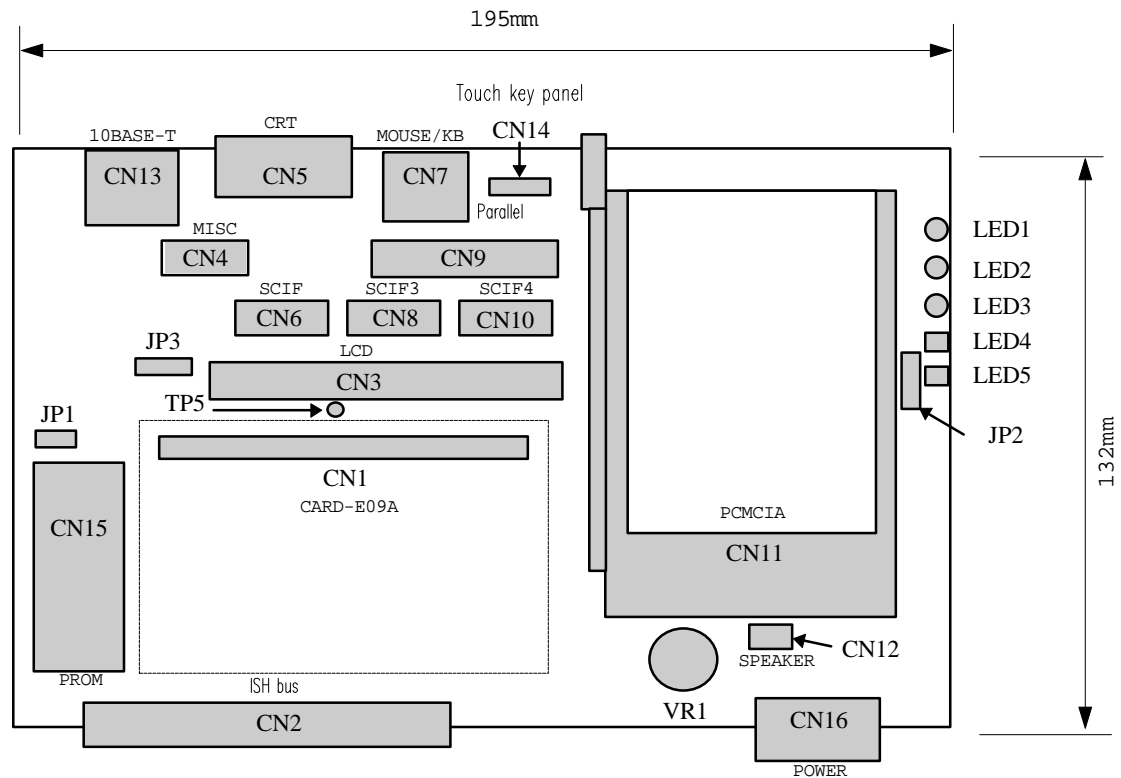
(4) Fasten the three places using the prepared screws.



## 6.2 Connections of the peripheral equipment

### 6.2.1 Connecting the cable sets

- Locations of respective connectors of the CARD-E09A Evaluation Board are as shown in the schematic diagram given below. Refer to this schematic diagram when connecting respective cables.



The connector CN17 (battery) is located on the rear side.

### 6.2.2 Connecting the keyboard and the mouse

- After inserting the MOUSE/KEYBOARD branching connector to the connector CN7 of the CARD-E09A Evaluation Board, connect the mouse and the keyboard.

### 6.2.3 Connecting the CRT

- Connect a multi-scan type VGA monitor to the VGA connector (CN5) of the CARD-E09A Evaluation Board.

### 6.2.4 Connecting the power unit

- Connect the DC cable of the power unit to the power connector (CN16) of the CARD-E09A Evaluation Board. The voltage for the ISH Board is supplied through the CN2 of the CARD-E09A Evaluation Board.
- The attached power unit is not equipped with a power switch. Insertion of the power cable plug into the outlet of the AC power supply will turn the power unit on.



## 7 STARTING UP THE EVALUATION KIT

### 7.1 Backup the master ATA card

The simplified debugger being installed into an ATA card (master), and it is included in this evaluation kit. Before start using the ATA card, be sure to make a backup. Designated below are the necessary procedures:

- (1) Prepare a formatted backup purpose blank ATA card (4MB or more).
  - (2) Copy all the files being stored in the master ATA card to the backup purpose ATA card.  
When doing this, use a personal computer being equipped with two PCMCIA slots.
  - (3) Insert the master ATA card into the PCMCIA slot (CN11) A and insert the backup purpose ATA card into the slot B. Refer to the illustration given below regarding the locations of the slot A and slot B.
  - (4) Connect the AC power cable plug to the outlet of the AC power supply to turn on the power unit.
  - (5) The picture of the quick debugger appears on the CRT and enter the following command through the keyboard.  
SBR SBR.BIN B [Enter]
  - (6) When the aforesaid entry has been finished and if the prompt "- " appears on the CRT, turn off the power unit by disconnecting the power cable plug from the outlet.
- This concludes preparation of the backup card.



### 7.2 Starting up the Windows CE 2.11 demonstration image

Two different methods are available to start up the Windows CE 2.11 demonstration image.

- A method to insert the CompactFlash card in the state being connected to the adapter for the ATA card as is into the slot A of the PCMCIA slots (CN11) of the CARD-E09A Evaluation Board before turning on the power supply to the system.
- A method to detach the Compact Flash card from the adapter for the ATA card and to connect it to the Compact Flash card connector of the CARD-E0D9A before turning on the power supply to the system.

When conducting system evaluations, we recommend you to choose the method to insert the

Compact Flash card into the PCMCIA slot.

When the Windows CE is started up after inserting the Compact Flash card into the slot A of the PCMCIA slots, the following alarm message will appear on the display but there will be no problem. This is because this system is being designed on the presupposition that the Compact Flash card should be connected to the CARD-E09A.

Unidentified PCCard Adapter

Enter the name of the driver for this PCCard:

Driver Name : Unknown card in Socket X

Designated below are the start up procedures:

- (1) Setup the evaluation board. Refer to Chapter 6 for details.
- (2) Insert the Compact Flash card into the slot A of the PCMCIA slots. In case the Compact Flash card is already being connected to the CARD-E09A, this procedure is not necessary.
- (3) Turn on the power unit by inserting the power cable plug into the outlet.
- (4) In about 2 seconds, a SEIKO-EPSON logo will appear on the CRT display.
- (5) Since the calibration picture for the touch key panel will appear on the display, in case the touch key panel is not being connected, press the ESC key to cancel it.
- (6) The starting picture of the Windows CE will appear on the display.
- (7) Since the explorer is not being attached to the Windows CE 2.11, designate the desired file using the task bar (Ctrl + ESC) before making the executions.

### 7.3 Debugging methods

#### Quick debugger:

Using this simplified debugger, it is possible to read-out or write-in the system memories and to check parameter settings when connecting an LCD. The simplified debugger is being installed into the ATA card which is included in this evaluation kit. It can be started up by inserting the ATA card into the slot A of the PCMCIA slots of the CARD-E09A Evaluation Board before turning on the power supply. If the Compact Flash card is already being inserted into the slot A, detach it before inserting the ATA card. For details, refer to the "CARD-E09A Evaluation Kit Software Manual".

**ROM emulator:**

The ROM emulator can be connected to the PROM socket, CN15 of the CARD-E09A Evaluation Board. When doing this, set the "JP1" to the "shorted" state. When connecting the JTAG emulator, make concurrent use of the signal takeout through-hole of the ISH Board.

**LED**

LED's are being mounted to the ISH Board. When writing is made to the debugging port address 80h/81h, the LED corresponding to the data bit will turn on or off. For details, refer to the "CARD-E09A Evaluation Kit Software Manual".

**Logic analyzer:**

The ISH Board is being equipped with a connector for connection of the logic analyzer.

## **8 End-User License Agreement for MicroSoft Windows CE 2.11**

The English version Windows CE 2.11 Full Version is pre-installed into the attached CompactFlash card. Be sure to confirm the contents of the "End-User License Agreement for MicroSoft Software" being attached as the ending pages of this document.

## END-USER LICENSE AGREEMENT FOR MICROSOFT SOFTWARE

**IMPORTANT—READ CAREFULLY:** This End-User License Agreement (“EULA”) is a legal agreement between you (either an individual or a single entity) and the manufacturer (“Manufacturer”) of the special purpose computing device (“SYSTEM”) you acquired which includes certain Microsoft software product(s) installed on the SYSTEM (“SOFTWARE PRODUCT” or “SOFTWARE”). The SOFTWARE includes computer software, the associated media, any printed materials, and any “online” or electronic documentation. By installing, copying or otherwise using the SOFTWARE, you agree to be bound by the terms of this EULA. If you do not agree to the terms of this EULA, Manufacturer and Microsoft Licensing, Inc. (“MS”) are unwilling to license the SOFTWARE to you. In such event, you may not use or copy the SOFTWARE, and you should promptly contact Manufacturer for instructions on return of the unused product(s) for a refund.

---

### SOFTWARE LICENSE

The SOFTWARE is protected by copyright laws and international copyright treaties, as well as other intellectual property laws and treaties. The SOFTWARE is licensed, not sold.

**1. GRANT OF LICENSE.** This EULA grants you the following rights:

- **Software.** You may use the SOFTWARE as installed on the SYSTEM.
- **Application Sharing.** The SOFTWARE may contain technology that enables applications to be shared between two or more SYSTEMS, even if an application is installed on only one of the SYSTEMS. You should consult your application license agreement or contact the application licensor to determine whether sharing the application is permitted by its licensor.
- **Storage/Network Use.** If the SOFTWARE PRODUCT is installed on the SYSTEM over an internal network from a server, you must acquire and dedicate a license for the SOFTWARE PRODUCT for each SYSTEM on which the SOFTWARE PRODUCT is used or to which it is distributed. A license for the SOFTWARE PRODUCT may not be shared or used concurrently on different SYSTEMS.
- **Back-up Copy.** If MANUFACTURER has not included a copy of the SOFTWARE on separate media with the SYSTEM, you may make a single copy of the SOFTWARE for use solely for archival purposes with the SYSTEM.

**2. DESCRIPTION OF OTHER RIGHTS AND LIMITATIONS.**

- **Limitations on Reverse Engineering, Decompilation and Disassembly.** You may not reverse engineer, decompile, or disassemble the SOFTWARE, except and only to the extent that such activity is expressly permitted by applicable law notwithstanding this limitation.
- **Single SYSTEM.** The SOFTWARE is licensed with the SYSTEM as a single integrated product. The SOFTWARE may only be used with the SYSTEM.
- **Rental.** You may not rent or lease the SOFTWARE.
- **Software Transfer.** You may permanently transfer all of your rights under this EULA only as part of a sale or transfer of the SYSTEM, provided you retain no copies, you transfer all of the SOFTWARE (including all component parts, the media, any upgrades or backup copies, and this EULA, and if applicable, the Certificate(s) of Authenticity), and the recipient agrees to the terms of this EULA. If the SOFTWARE is an upgrade, any transfer must include all prior versions of the SOFTWARE.
- **Termination.** Without prejudice to any other rights, Manufacturer or MS may terminate this EULA if you fail to comply with the terms and conditions of this EULA. In such event, you must destroy all copies of the SOFTWARE and all of its component parts.
- **Single EULA.** The package for the SOFTWARE may contain multiple versions of this EULA, such as multiple translations and/or multiple media versions (e.g., in the user documentation and in the software). In this case, you are only licensed to use one (1) copy of the SOFTWARE PRODUCT.
- **Export Restrictions.** You agree that you will not export or re-export the SOFTWARE to any country, person, entity or end user subject to U.S. export restrictions. You specifically agree not to export or re-export the SOFTWARE (i) to any country to which the U.S. has embargoed or restricted the export of goods or services, which currently include, but are not necessarily limited to Cuba, Iran, Iraq, Libya, North Korea, Sudan and Syria, or to any national of any such country, wherever located, who intends to transmit or transport the products back to such country; (ii) to an end user you know or have reason to know will utilize the SOFTWARE in the design, development or production of nuclear, chemical or biological weapons; or (iii) to any end-user who has been prohibited from participating in U.S. export transactions by any federal agency of the U.S. government.

- 3. COPYRIGHT.** All title and copyrights in and to the SOFTWARE (including but not limited to any images, photographs, animations, video, audio, music, text and “applets,” incorporated into the SOFTWARE), the accompanying printed materials, and any copies of the SOFTWARE, are owned by MS or its suppliers (including Microsoft Corporation). You may not copy the printed materials accompanying the SOFTWARE. All rights not specifically granted under this EULA are reserved by MS and its suppliers (including Microsoft Corporation).
- 4. PRODUCT SUPPORT.** Product support for the SOFTWARE is not provided by MS, its parent corporation, Microsoft Corporation, or their affiliates or subsidiaries. For product support, please refer to Manufacturer's support number provided in the documentation for the SYSTEM. Should you have any questions concerning this EULA, or if you desire to contact Manufacturer for any other reason, please refer to the address provided in the documentation for the SYSTEM.
- 5. LIMITED WARRANTY.**
- **Limited Warranty.** Manufacturer warrants that the SOFTWARE will perform substantially in accordance with the accompanying written materials for a period of ninety (90) days from the date of receipt. Any implied warranties on the SOFTWARE are limited to ninety (90) days. Some states/jurisdictions do not allow limitations on duration of an implied warranty, so the above limitation may not apply to you.
  - **Customer Remedies.** Manufacturer's and its suppliers' entire liability and your exclusive remedy shall be, at Manufacturer's option, either (a) return of the price paid, or (b) repair or replacement of the SOFTWARE that does not meet the above Limited Warranty and which is returned to Manufacturer with a copy of your receipt. This Limited Warranty is void if failure of the SOFTWARE has resulted from accident, abuse, or misapplication. Any replacement SOFTWARE will be warranted for the remainder of the original warranty period or thirty (30) days, whichever is longer.
  - **No Other Warranties.** **EXCEPT AS EXPRESSLY PROVIDED IN THE LIMITED WARRANTY SECTION ABOVE, THE SOFTWARE IS PROVIDED TO THE END USER "AS IS" WITHOUT WARRANTY OF ANY KIND, EITHER EXPRESSED OR IMPLIED, INCLUDING, BUT NOT LIMITED TO, WARRANTIES OF NON-INFRINGEMENT, MERCHANTABILITY, AND/OR FITNESS FOR A PARTICULAR PURPOSE. THE ENTIRE RISK OF THE QUALITY AND PERFORMANCE OF THE SOFTWARE IS WITH YOU.**
  - **No Liability for Consequential Damages.** **MANUFACTURER OR MANUFACTURER'S SUPPLIERS, INCLUDING MS AND ITS SUPPLIERS, SHALL NOT BE HELD TO ANY LIABILITY FOR ANY DAMAGES SUFFERED OR INCURRED BY THE END USER (INCLUDING, BUT NOT LIMITED TO, GENERAL, SPECIAL, CONSEQUENTIAL OR INCIDENTAL DAMAGES INCLUDING DAMAGES FOR LOSS OF BUSINESS PROFITS, BUSINESS INTERRUPTION, LOSS OF BUSINESS INFORMATION AND THE LIKE), ARISING FROM OR IN CONNECTION WITH THE DELIVERY, USE OR PERFORMANCE OF THE SOFTWARE.**
- 6. NOTE ON JAVA SUPPORT.** **THE SOFTWARE PRODUCT MAY CONTAIN SUPPORT FOR PROGRAMS WRITTEN IN JAVA. JAVA TECHNOLOGY IS NOT FAULT TOLERANT AND IS NOT DESIGNED, MANUFACTURED, OR INTENDED FOR USE OR RESALE AS ON-LINE CONTROL EQUIPMENT IN HAZARDOUS ENVIRONMENTS REQUIRING FAIL-SAFE PERFORMANCE, SUCH AS IN THE OPERATION OF NUCLEAR FACILITIES, AIRCRAFT NAVIGATION OR COMMUNICATION SYSTEMS, AIR TRAFFIC CONTROL, DIRECT LIFE SUPPORT MACHINES, OR WEAPONS SYSTEMS, IN WHICH THE FAILURE OF JAVA TECHNOLOGY COULD LEAD DIRECTLY TO DEATH, PERSONAL INJURY, OR SEVERE PHYSICAL OR ENVIRONMENTAL DAMAGE.**

---

If you acquired this EULA in the United States, this EULA is governed by the laws of the State of Washington.

If you acquired this EULA in Canada, this EULA is governed by the laws of the Province of Ontario, Canada. Each of the parties hereto irrevocably attorns to the jurisdiction of the courts of the Province of Ontario and further agrees to commence any litigation which may arise hereunder in the courts located in the Judicial District of York, Province of Ontario.

If this EULA was acquired outside the United States, then local law may apply.

Should you have any questions concerning this EULA, please contact the Manufacturer of your SYSTEM.

---

**U.S. GOVERNMENT RESTRICTED RIGHTS**

The SOFTWARE and documentation are provided with RESTRICTED RIGHTS. Use, duplication, or disclosure by the Government is subject to restrictions as set forth in subparagraph (c)(1)(ii) of the Rights in Technical Data and Computer Software clause at DFARS 252.227-7013 or subparagraphs (c)(1) and (2) of the Commercial Computer Software—Restricted Rights at 48 CFR 52.227-19, as applicable. Manufacturer is Microsoft Corporation/One Microsoft Way/Redmond, WA 98052-6399.

# EPSON International Sales Operations

---

## AMERICA

---

### EPSON ELECTRONICS AMERICA, INC.

#### HEADQUARTERS

1960 E. Grand Avenue  
El Segundo, CA 90245, U.S.A.  
Phone : +1-310-955-5300 Fax : +1-310-955-5400

#### SALES OFFICES

##### West

150 River Oaks Parkway  
San Jose, CA 95134, U.S.A.  
Phone : +1-408-922-0200 Fax : +1-408-922-0238

##### Central

101 Virginia Street, Suite 290  
Crystal Lake, IL 60014, U.S.A.  
Phone : +1-815-455-7630 Fax : +1-815-455-7633

##### Northeast

301 Edgewater Place, Suite 120  
Wakefield, MA 01880, U.S.A.  
Phone : +1-781-246-3600 Fax : +1-781-246-5443

##### Southeast

3010 Royal Blvd. South, Suite 170  
Alpharetta, GA 30005, U.S.A.  
Phone : +1-877-EEA-0020 Fax : +1-770-777-2637

## EUROPE

---

### EPSON EUROPE ELECTRONICS GmbH

#### HEADQUARTERS

Riesstrasse 15  
80992 Muenchen, GERMANY  
Phone : +49- (0) 89-14005-0 Fax : +49- (0) 89-14005-110

#### - GERMANY -

##### SALES OFFICE

Altstadtstrasse 176  
51379 Leverkusen, GERMANY  
Phone : +49- (0) 217-15045-0 Fax : +49- (0) 217-15045-10

#### - UNITED KINGDOM -

##### UK BRANCH OFFICE

2.4 Doncastle House, Doncastle Road  
Bracknell, Berkshire RG12 8PE, ENGLAND  
Phone : +44- (0) 1344-381700 Fax : +44- (0) 1344-381701

#### - FRANCE -

##### FRENCH BRANCH OFFICE

1 Avenue de l' Atlantique, LP 915 Les Conquerants  
Z.A. de Courtaboeuf 2, F-91976 Les Ulis Cedex, FRANCE  
Phone : +33- (0) 1-64862350 Fax : +33- (0) 1-64862355

## ASIA

---

#### - CHINA -

### EPSON (CHINA)CO.,LTD.

28F, Beijing Silver Tower 2# North RD DongSanHuan  
ChaoYang District, Beijing, CHINA  
Phone : 64106655 Fax : 64107320

#### SHANGHAI BRANCH

4F, Bldg., 27, No. 69, Gui Jing Road  
Caohejing, Shanghai, CHINA  
Phone : 21-6485-5552 Fax : 21-6485-0775

#### - HONG KONG, CHINA -

### EPSON HONG KONG LTD.

20/F., Harbour Centre, 25 Harbour Road  
Wanchai, HONG KONG  
Phone : +852-2585-4600 Fax : +852-2827-4346  
Telex : 65542 EPSCO HX

#### - TAIWAN, R.O.C. -

### EPSON TAIWAN TECHNOLOGY & TRADING LTD.

10F, No. 287, Nanking East Road, Sec. 3  
Taipei, TAIWAN, R.O.C.  
Phone : 02-2717-7360 Fax : 02-2712-9164  
Telex : 24444 EPSONTB

#### HSINCHU OFFICE

13F-3, No.295, Kuang-Fu Road, Sec. 2  
HsinChu 300, TAIWAN, R.O.C.  
Phone : 03-573-9900 Fax : 03-573-9169

#### - SINGAPORE -

### EPSON SINGAPORE PTE., LTD.

No. 1 Temasek Avenue, #36-00  
Millenia Tower, SINGAPORE 039192  
Phone : +65-337-7911 Fax : +65-334-2716

#### - KOREA -

### SEIKO EPSON CORPORATION

#### KOREA OFFICE

50F, KLI 63 Bldg., 60 Yoido-Dong  
Youngdeungpo-Ku, Seoul, 150-010, KOREA  
Phone : 02-784-6027 Fax : 02-767-3677

#### - JAPAN -

---

### SEIKO EPSON CORPORATION

#### ELECTRONIC DEVICES MARKETING DIVISION

##### Electronic Device Marketing Department

##### Card Products & Marketing Group

421-8, Hino, Hino-shi, Tokyo 191-8501, JAPAN  
Phone: +81-(0)42-587-7503 Fax: +81-(0)42-587-8423

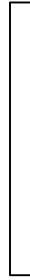
##### ED International Marketing Department I

##### (Europe & U.S.A.)

421-8, Hino, Hino-shi, Tokyo 191-8501, JAPAN  
Phone: +81-(0)42-587-5812 Fax: +81-(0)42-587-5564

##### ED International Marketing Department II (Asia)

421-8, Hino, Hino-shi, Tokyo 191-8501, JAPAN  
Phone: +81-(0)42-587-5814 Fax: +81-(0)42-587-5110



**CARD-E09A**  
**Evaluation Kit Instruction Manual**  
(English)