

SAW Resonator (SAW: Surface Acoustic Waves)

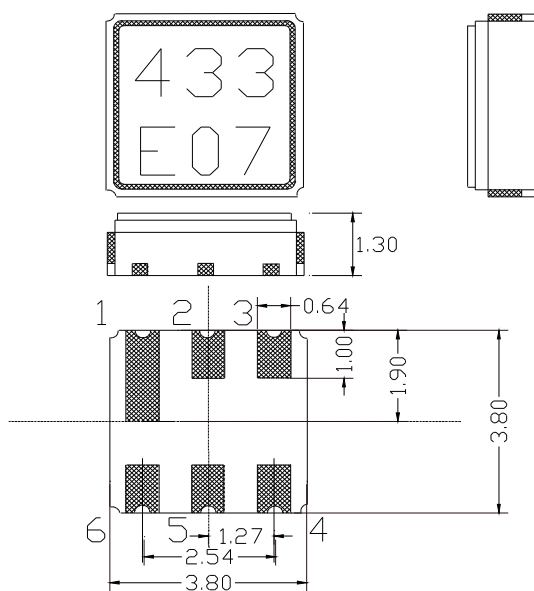
## FS - 335 (1 port type)

- High stability by using crystal plate.
- Reflow solderable SMD ceramic package .
- Using ceramic material allows 1.3mm(typ) thickness.

### ■ Specifications ( Characteristics )

Item	Symbol	Specifications	Remarks
Nominal frequency range	fo	300 to 900MHz	
Storage temperature range	TSTG	-55 to +100°C	
Operable temperature	TOPR	-40 to +85°C	
Frequency tolerance	$\Delta f / f_0$	$\pm 25\text{ppm}$ , $\pm 50\text{ppm}$ $\pm 100\text{ppm}$	Ta = 25°C , DL:100 $\mu$ W 300 to 500MHz 500 to 900MHz
Peak Temperature	T	25°C $\pm$ 15°C	
Temperature Coefficient		-3.40.8 $\times 10^{-8}$ /	
Series resistance(CI value)	R1	25 $\Omega$ MAX. 40 $\Omega$ MAX	300 to 500MHz 500 to 900MHz
Harmonic Ratio	Rs/R1	2 MIN.	
Isolation resistance	IR	500M $\Omega$ MIN.	

### ■ External Dimensions



### ■ Recommended Soldering Pattern

