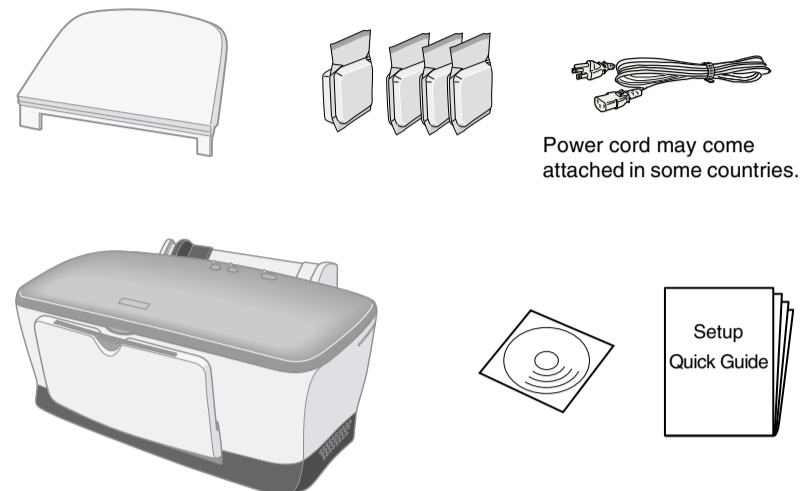
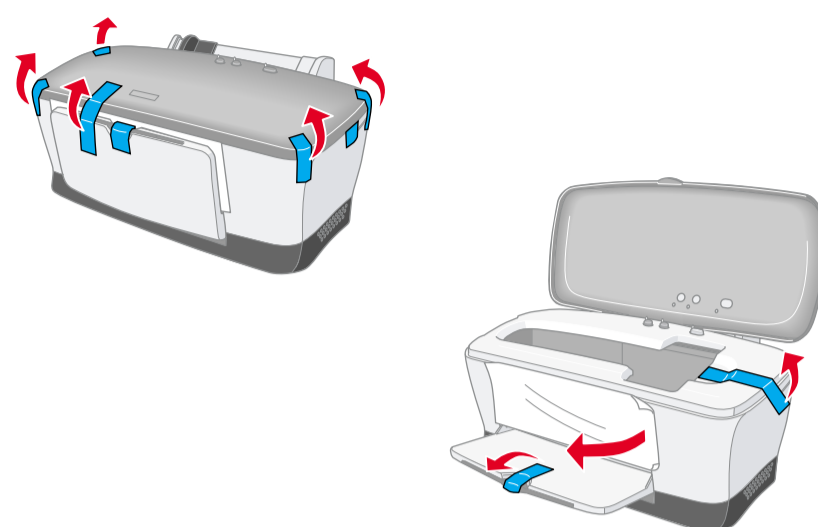


Setting Up the Printer Hardware

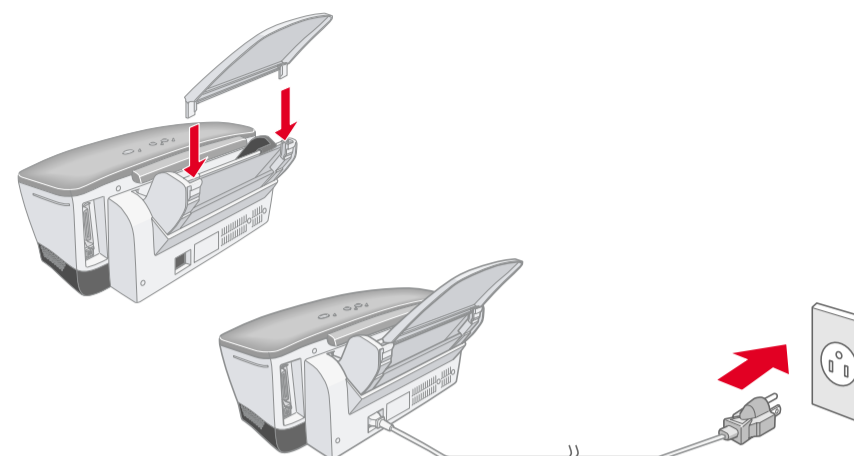
1. Unpack



2. Remove protective materials



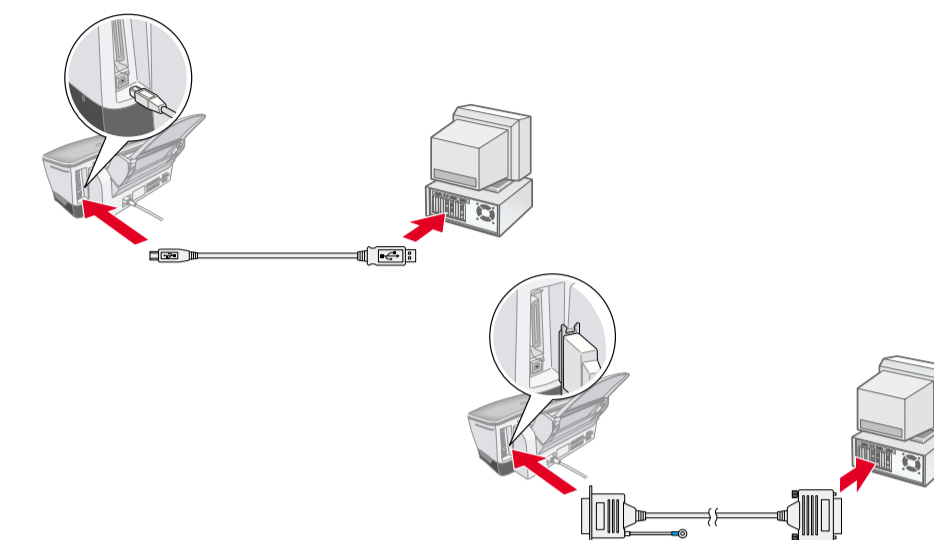
3. Attach the printer parts



Caution: If the printer comes on when you plug in the power cord, turn off the printer by pressing down the \odot power button until the printer lights go out.

4. Connect the printer

Connect the printer cable to the ports on the computer and the printer.



Installing the Printer Software and the Ink Cartridges

For Windows

- Make sure that printer is off, then turn on your computer.
- Insert the printer software CD in the CD-ROM drive. If the Installer dialog box does not appear, double-click **SETUP.EXE** in the CD-ROM.
- Select **Install Printer Driver/Utility**, and click **Next**.
- Click **OK** in the dialog box that appears.
- When a message appears prompting you to turn on the printer, press the \odot power button. The print head moves to the ink cartridge installation position and the Setup utility starts automatically.



Caution: Do not move the print head by hand, as this may damage the printer.

- Follow the Setup utility's on-screen instructions to install the ink cartridges.
- Note:** If the Setup utility does not start, follow the instructions of this sheet, beginning from "Install the ink cartridges."

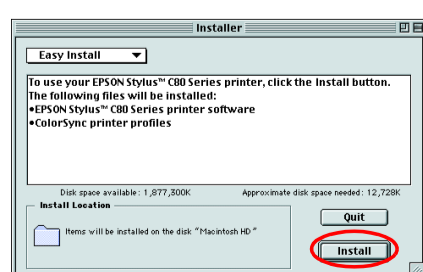
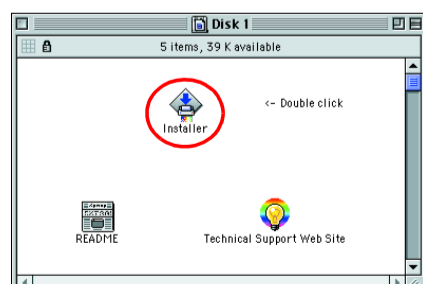
When ink cartridge installation is complete, proceed to "Load paper and check the print head nozzles" on this sheet.

For Macintosh

1. Install the printer software

Caution: Turn off all virus protection programs before you install the printer software.

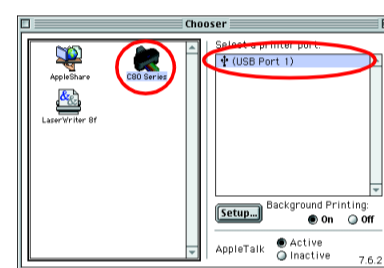
- Make sure that printer is off, then turn on your Macintosh and insert the printer software CD in the CD-ROM drive.
- Double-click the **Install Software** folder, then double-click the **Installer** icon inside it.
- Click **Continue**.
- After accepting the license agreement, Installer appears.
- Make sure that the Install Location box displays the correct drive, then click **Install**.
- Follow the on-screen instructions to install the printer software.



2. Select the printer

After you have installed the printer software, you need to select your printer.

- Press the \odot power button to turn on the printer. The print head moves to the ink cartridge installation position.
- Choose **Chooser** from the Apple menu. Then, select the icon for your printer and the port that your printer is connected to.
- Close the Chooser.



For DOS Programs

Most DOS software programs include a list of drivers including one for EPSON ESC/P 2™ Printers. In order to install the appropriate printer driver and enable your printer's advanced, built-in, scalable fonts and graphics handling, you must select the EPSON ESC/P 2™ printer from the list.

If your printer is not included in the list, contact your software manufacturer to obtain an updated version of the software.

If the manufacturer does not have an updated printer driver for your printer, select an alternative printer from those listed below, choosing the printers listed at the top first.

When printing in black only:
LQ-870/1170
LQ-570 (+)/1070(+)
SQ-870/1070
LQ-850
LQ-500

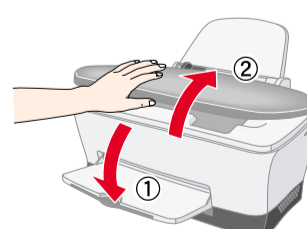
Note: The drivers for the printers listed above do not allow access to all of the features offered by the EPSON STYLUS C80, such as 720-dpi printing and 1440-dpi printing.

DOS software varies greatly. See the printing section of your software manual for information on accessing the printer driver settings.

Install the ink cartridges

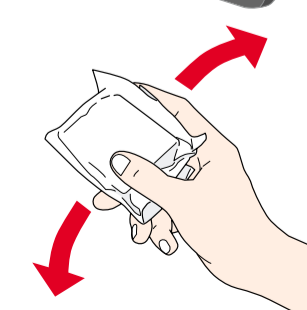
- Lower the output tray, then open the printer cover.

Caution: Do not move the print head by hand, as this may damage the printer.



Note: For best results, shake the ink cartridge four or five times before opening the package.

- Remove the new ink cartridges from their protective bag.



Warnings, Cautions, and Notes

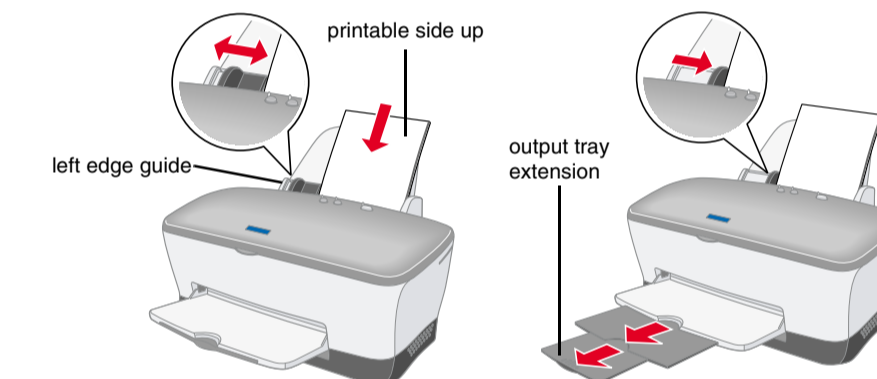
Warning: Warnings must be followed carefully to avoid bodily injury.

Caution: Cautions must be observed to avoid damage to your equipment.

Notes: Notes contain important information and useful tips on the operation of your printer.

Load paper and check the print head nozzles

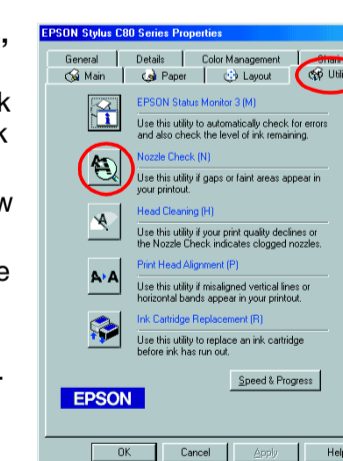
Make sure that the computer is turned on. Load paper into the sheet feeder making sure that the side of the paper that you wish to print onto is facing up and that the right edge of the paper is against the right edge guide. Next, slide the left edge guide so that it is against the left edge of the paper.



Once paper is loaded, follow these steps to check the print head nozzles.

For Windows users

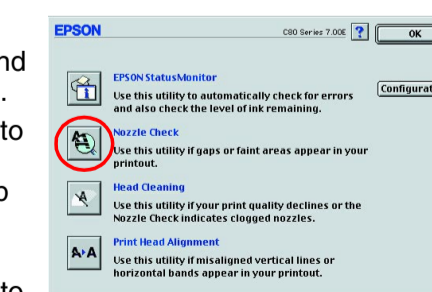
- Click the **Start** button, point to **Settings**, and click **Printers**.
- Select the icon for your printer, then click **Properties** on the File menu. Then click the **Utility** tab.
- Click the **Nozzle Check** button, and follow the on-screen instructions.
- When you are finished, click **OK** to close the Properties dialog box.



Your printer is now set up and ready to use.

For Macintosh users

- Select **Page Setup** in the Finder's **File** menu.
- Click the **Utility** icon.
- Click the **Nozzle Check** button, and follow the on-screen instructions.
- When you are finished, click **OK** to close the utility dialog box. Then click **OK** to close the Page Setup dialog box.

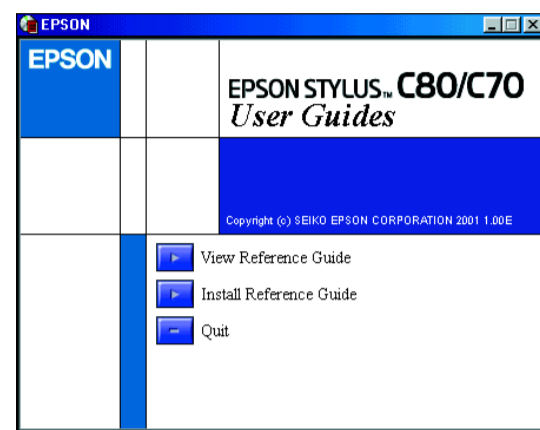


Your printer is now set up and ready to use.

Using the Online Reference Guide

Follow these steps to access the online *Reference Guide*.

1. Insert the printer software CD in the CD-ROM drive.
2. For Windows, select **User Guides** in the Installer dialog box and click . For Macintosh, double-click **User Guides**.



To view the guide from the CD, click **View Reference Guide**.

To install the guide, click **Install Reference Guide** and follow the on-screen instructions. When installation is complete, an **ES C80 Series** or **ES C70 Series Guide** icon (Windows) or a **View Reference Guide** icon (Macintosh) appears in the EPSON folder. Double-click the icon to open the guide.

Online Problem Solving

For **Windows users**

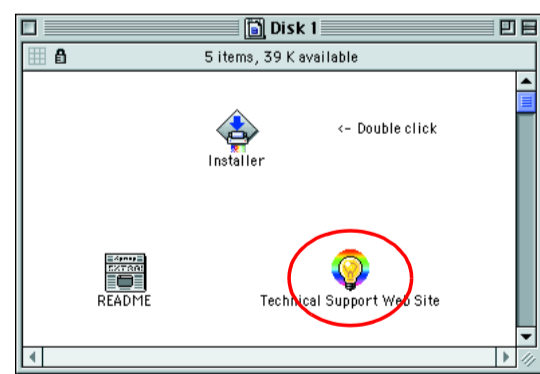
The Problem Solver and EPSON's Technical Support Web Site provide you with tips to help solve any problems you may encounter when using your printer. Access the Problem Solver or Technical Support in one of the following ways:

- From the Windows Start menu
Click **Start**, point to **Programs** and then to **EPSON**, then click **ES C80 Series Problem Solver** or **ES C70 Series Problem Solver**.
- From Status Monitor 3
Click **Technical Support** in the Status Monitor 3 dialog box.
- From your printer software
Click **Technical Support** on the Main menu of the printer software.

For further information on the customer support services available in your area, see the online *Reference Guide*.

For **Macintosh users**

EPSON's Technical Support Web Site provides help with problems that cannot be solved using the troubleshooting information in your printer documentation. To access Technical Support, insert the CD in the CD-ROM drive and double-click the Technical Support Web Site icon in the Printer Software folder. For further information on the customer support services available in your area, see the online *Reference Guide*.



Accessing the Printer Software

The printer software includes a printer driver and utilities. The printer driver lets you choose from a wide variety of settings to get the best results from your printer. The printer utilities help you check the printer and keep it in top operating condition. Access the printer software as explained in this section.

For **Windows users**

There are three ways to access the printer software.

From Windows applications

1. From the **File** menu of your application, click **Print**. The Print dialog box appears.

2. Select your printer, then click **Properties, Printer, Setup, or Options** to access the printer software. (Depending on your application, you may need to click a combination of these buttons.)

Note:

When you access the printer software from a Windows application, the settings that you make apply only to the application you are using.

From the Start menu

1. Click **Start**, point to **Settings**, then click **Printers**.
2. Select your printer, then click **Properties** on the **File** menu. If you are a Windows 2000 user, select your printer, then click **Printing Preferences** on the **File** menu.

For **Macintosh users**

You can access the various printer software dialog boxes as described below.

Dialog Box	How to Access
Print	Click Print on the File menu of your application or click Options in the Page Setup dialog box.
Page Setup	Click Page Setup on the File menu of your application.
Layout	Click the Layout icon button in the Print dialog box.
Utility	Click the Utility icon button in the Print or Page Setup dialog box.

Printing on Special Media

You can print on a wide variety of special media—including ink jet paper, photo quality glossy film, photo paper, transparencies, index cards, and adhesive sheets—and several sizes of envelopes.

- Read the instructions in the media package first.



Caution:

Cleaning sheets packaged with EPSON special media should not be used with this printer. The cleaning function performed by these sheets is not necessary with this type of printer, and the sheets could jam in the printer.

- Load the media printable side up in the sheet feeder. See the instructions packed with the media to determine which side is the printable side. The loading capacity varies by model. For more details on using special media, see "Paper Handling" in the online *Reference Guide*.
- Envelope printing is not supported in a Dos operating environment.
- Load envelopes starting from the short edge with the flap facing to the left. For details on printing envelopes, see "Loading Envelopes" in the online *Reference Guide*.

Replacing Ink Cartridges

You can replace an ink cartridge by using the Status Monitor utility installed on your computer, or by using the printer's control panel. To replace an ink cartridge or check ink levels using the Status Monitor utility, refer to "Using the Status Monitor" in the online *Reference Guide*. To replace an empty ink cartridge using the printer's control panel, follow the steps in this section.

Note:

- You cannot continue printing with one ink cartridge empty, even if the other cartridge still contains ink. Before printing, replace the empty cartridge.*
- In addition to the ink used during document printing, ink is consumed during the print head cleaning operation, during the self-cleaning cycle which is performed when the printer is turned on, and during ink charging when the ink cartridge is installed in the printer.*

1. Make sure that the printer is on, but not printing. Then open the printer cover.
2. Press the ink button. The print head moves to the ink check position. Make sure that the ink cartridge that needs to be replaced is indicated by the mark.



Caution:

Do not move the print head by hand, as this may damage the printer. Always press the ink button to move it.

3. Then, press the ink button again. The print head moves to the ink cartridge replacement position.
4. Install the new ink cartridges as explained on the reverse side of this sheet in the "Install the ink cartridges" section.

For details and how to replace an ink cartridge before it is empty, refer to the online *Reference Guide*.

Note:

Dispose of the used cartridge properly. Do not take it apart or try to refill it.

Panel Operation

Button	Function
power	Turns the printer on and off. To turn the printer off, press and hold the power button until the light goes out. Clears the memory of the printer if pressed twice while the power is on.
paper	Controls the paper-load and eject functions. Printing will resume if pressed after a paper out error or double feed error.
ink	Moves the print head to enable replacement of the ink cartridge. Enables print head cleaning if pressed for three seconds while the ink out light is off.

See the online *Reference Guide* for details.

Error Indicators

You can identify many common problems using the lights on the printer's control panel. Use the following table of light patterns to diagnose the problem, then follow the recommended corrective measures.

Lights	Problem and Solution	
	Paper out	No paper is loaded in the printer. Check EPSON Status Monitor 3* or EPSON StatusMonitor*. Load paper in the sheet feeder, then press the paper button. The printer resumes printing and the light goes out.
	Paper jam	Paper has jammed in the printer. Check EPSON Status Monitor 3* or EPSON StatusMonitor*. Press the paper button to eject the jammed paper. If the error does not clear, open the printer cover and remove all of the paper inside, including any torn pieces. Then reload the paper in the sheet feeder and press the paper button to resume printing.
	Ink low	The ink cartridge is nearly empty. Obtain a replacement ink cartridge. To determine which cartridge is nearly empty, check the ink level using EPSON Status Monitor 3* or EPSON StatusMonitor*.
	Ink out	The ink cartridge is empty or is not installed. Replace the ink cartridge with a new one. To determine which cartridge is empty, check the ink level using EPSON Status Monitor 3* or EPSON StatusMonitor*.
	Wrong cartridge	The currently installed ink cartridge is not compatible with the printer. Use the appropriate ink cartridge.
	Carriage error	The print head carriage is obstructed by jammed paper or other foreign material and cannot return to the home position. Turn off the printer. Open the printer cover and remove any paper from the paper path by hand. Then, turn the printer back on. If the error does not clear, contact your dealer.
	Unknown printer error	An unknown printer error has occurred. Turn off the printer and contact your dealer.

= on, = off, = flashing

* EPSON Status Monitor 3 is for Windows; EPSON StatusMonitor is for Macintosh.

Safety Instructions

Read all of the instructions in this section when setting up and using your printer.

When choosing a place for the printer

- Avoid places subject to rapid changes in temperature and humidity. Also, keep the printer away from direct sunlight, strong light, or heat sources.
- Avoid places subject to dust, shocks, and vibrations.
- Leave enough room around the printer to allow for sufficient ventilation.
- Place the printer near a wall outlet where the plug can be easily unplugged.
- Place the printer on a flat, stable surface that extends beyond the printer base in all directions. The printer will not operate properly if it is tilted at an angle.

When choosing a power source

- Use only the type of power source indicated on the printer's label.
- Do not use a damaged or frayed power cord.
- If you use an extension cord with the printer, make sure that the total ampere rating of the devices plugged into the extension cord does not exceed the cord's ampere rating. Also, make sure that the total ampere rating of all devices plugged into the wall outlet does not exceed the wall outlet's ampere rating.
- If you plan to use the printer in Germany, the building installation must be protected by a 10 or 16 amp circuit breaker to provide adequate short-circuit protection and over-current protection for this printer.

When handling ink cartridges

- Do not open the ink cartridge packages until just before you install them.
- Before installing the new ink cartridge, shake it four or five times before opening its package.
- Do not shake the used ink cartridges; this can cause leakage.
- Keep ink cartridges out of the reach of children. Do not allow children to drink from or otherwise handle the cartridges.
- Be careful when you handle used ink cartridges, as there may be some ink remaining around the ink supply port. If ink gets on your skin, wash the area thoroughly with soap and water. If ink gets into your eyes, flush them immediately with water. If discomfort or vision problems remain after a thorough flushing, see a doctor immediately.
- Do not touch or remove the green IC chip that is located on the side of the cartridge.
- Do not remove or tear the label on the cartridge; this can cause leakage.
- Store each ink cartridge so that the bottom of its packaging faces down.

When using the printer

- Do not put your hand inside the printer or touch the ink cartridges during printing.
- Do not block or cover the openings in the printer's cabinet.
- Do not attempt to service the printer yourself.
- Unplug the printer and refer servicing to qualified service personnel under the following conditions:
The power cord or plug is damaged; liquid has entered the printer; the printer has been dropped or the cabinet damaged; the printer does not operate normally or exhibits a distinct change in performance.
- Do not insert objects through the slots in the printer's cabinet.
- Take care not to spill liquid on the printer.

Information for United Kingdom Users

Use of options

EPSON (UK) Limited shall not be liable against any damages or problems arising from the use of any options or consumable products other than those designated as Original EPSON Products or EPSON Approved Products by EPSON (UK) Limited.

Safety information



Warning:

*This appliance must be earthed. Refer to the rating plate for the voltage and check that the appliance voltage corresponds to the supply voltage.
Important: The wires in the mains lead fitted to this appliance are coloured in accordance with the following code:
Green and yellow — Earth
Blue — Neutral
Brown — Live*

If you have to fit a plug:

As the colours of the mains lead of this appliance may not match the coloured markings used to identify the terminals in a plug, please observe the following:

- The green and yellow wire must be connected to the terminal in the plug which is marked with the letter E or the earth symbol ().
- The blue wire must be connected to the terminal in the plug marked with the letter N.
- The brown wire must be connected to the terminal in the plug marked with the letter L.
- If the plug is damaged, replace the cord set or consult a qualified electrician.
- Replace fuses only with fuses of the correct size and rating.

All rights reserved. No part of this publication may be reproduced, stored in a retrieval system, or transmitted in any form or by any means, electronic, mechanical, photocopying, recording, or otherwise, without the prior written permission of SEIKO EPSON CORPORATION. The information contained herein is designed only for use with this EPSON printer. EPSON is not responsible for any use of this information as applied to other printers. Neither SEIKO EPSON CORPORATION nor its affiliates shall be liable to the purchaser of this product or third parties for damages, losses, costs, or expenses incurred by the purchaser or third parties as a result of: accident, misuse, or abuse of this product or unauthorized modifications, repairs, or alterations to this product, or (excluding the U.S.) failure to strictly comply with SEIKO EPSON CORPORATION's operating and maintenance instructions.

SEIKO EPSON CORPORATION shall not be liable for any damages or problems arising from the use of any options or any consumable products other than those designated as Original EPSON Products or EPSON Approved Products by SEIKO EPSON CORPORATION. SEIKO EPSON CORPORATION shall not be held liable for any damage resulting from electromagnetic interference that occurs from the use of any interface cables other than those designated as EPSON Approved Products by SEIKO EPSON CORPORATION. EPSON is a registered trademark and EPSON Stylus is a trademark of SEIKO EPSON CORPORATION. Microsoft and Windows are registered trademarks of Microsoft Corporation.

General Notice: Other product names used herein are for identification purposes only and may be trademarks of their respective owners. EPSON disclaims any and all rights in those marks.