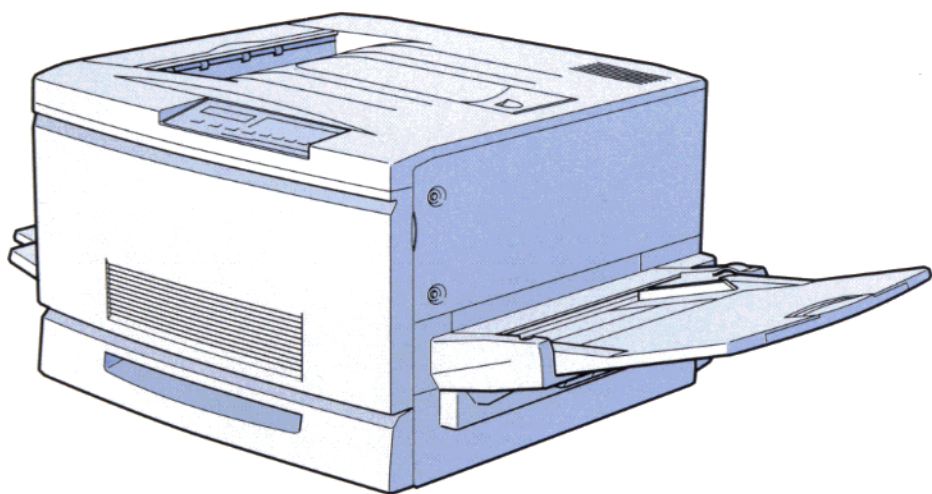


**EPSON**



**ColorPage**  
**EPL-C8000**  
**Setup Guide**

# Where to Find Information

## *Unpacking Guide*

Provides you with information and instructions on how to unpack and place the printer. Before using the printer, you need to remove all protective materials as described in the instructions contained in this guide.

## *Setup Guide (this manual)*

Provides you with information on assembling the printer's parts and installing the printer's software.

## *User's Guide*

Provides you with detailed information on the printer's functions, maintenance, troubleshooting, and technical specifications.

## *Quick Reference*

Provides you with information on replacing consumables, clearing jammed paper, and a panel message list. This guide can be hung on the printer with a hook provided.

## *Online Help*

Provide you with detailed information and instructions on the printer software that controls your printer (online help will be automatically installed when you install the printer's software).

# EPSON<sup>®</sup>

## ColorPage

### EPL-C8000

Color Laser Printer

All rights reserved. No part of this publication may be reproduced, stored in a retrieval system, or transmitted in any form or by any means, mechanical, photocopying, recording, or otherwise, without the prior written permission of SEIKO EPSON CORPORATION. No patent liability is assumed with respect to the use of the information contained herein. Neither is any liability assumed for damages resulting from the use of the information contained herein.

Neither SEIKO EPSON CORPORATION nor its affiliates shall be liable to the purchaser of this product or third parties for damages, losses, costs, or expenses incurred by purchaser or third parties as a result of: accident, misuse, or abuse of this product or unauthorized modifications, repairs, or alterations to this product, or (excluding the U.S.) failure to strictly comply with SEIKO EPSON CORPORATION's operating and maintenance instructions.

SEIKO EPSON CORPORATION shall not be liable against any damages or problems arising from the use of any options or any consumable products other than those designated as Original Epson Products or Epson Approved Products by SEIKO EPSON CORPORATION.

EPSON is a registered trademark of SEIKO EPSON CORPORATION.

Microsoft and Windows are registered trademarks of Microsoft Corporation in the United States of America and other countries.

**General Notice:** Other product names used herein are for identification purposes only and may be trademarks of their respective owners. EPSON disclaims any and all rights in those marks.

Copyright © 1998 by SEIKO EPSON CORPORATION, Nagano, Japan



Printed on Recycled Paper.

## Setup Guide

---

# Declaration of Conformity

According to ISO/IEC Guide 22 and EN 45014

Manufacturer: SEIKO EPSON CORPORATION  
Address: 3-5, Owa 3-chome, Suwa-shi,  
Nagano-ken 392 Japan

Representative: EPSON EUROPE B.V.  
Address: Prof. J. H. Bavincklaan 5 1183  
AT Amstelveen  
The Netherlands

Declares that the Product:

Product Name: Color Laser Printer  
Model: YBB-1

Conforms to the following Directive(s) and Norm(s):

Directive 89/336/EEC:  
EN 55022 Class B  
EN 50082-1  
IEC 801-2  
IEC 801-3  
IEC 801-4

Directive 73/23/EEC:  
EN 60950

September 1998

H. Horiuchi  
President of EPSON EUROPE B.V.

---

# Contents

<b>Safety Instructions</b> .....	<b>1</b>
Safety Information .....	1
Laser Printer Precautions .....	5
Important Safety Instructions .....	8
ENERGY STAR Compliance .....	10
For United Kingdom Users .....	10
Warnings, Cautions, and Notes .....	11
<b>System Requirements</b> .....	<b>12</b>
For Windows 95/98 .....	12
For Windows NT 4.0 .....	13
<b>Assembling the Printer</b> .....	<b>14</b>
Installing the Expansion Tray .....	14
Installing the Face-Up Tray .....	15
Installing the Toner Cartridges .....	17
Installing the Photoconductor Unit .....	22
Installing the Fuser Oil Roll .....	25
<b>Installing the Options</b> .....	<b>29</b>
Installing the 250 Sheet Lower Paper Cassette Unit (A3W) ....	29
Installing the Large Capacity Paper Unit .....	31
Precautions before installing .....	31
Unpacking and removing the protective materials .....	32
Installing the unit on the printer .....	34
Installing Memory Module .....	39
Installing the ROM Module .....	43
Installing an Interface Card .....	47

<b>Plugging in the Printer</b> .....	<b>50</b>
Testing the Printer .....	51
Loading paper .....	51
Printing a status sheet .....	51
Connecting to the Computer .....	53
<b>Installing the Printer Software</b> .....	<b>54</b>
For All Windows Users .....	55
Installing EPSON Font Manager .....	57
For DOS programs .....	58
Making Basic Printer Settings .....	59
For Windows 95/98 Users .....	60
Using your printer on a network .....	60
Setting the installed option .....	62
For Windows NT 4.0 Users .....	64
Using your printer on a network .....	64
Setting the installed option .....	66
<b>Accessing Online Help</b> .....	<b>69</b>
Accessing from the Windows Printer Driver .....	69
Accessing from Windows Applications .....	69
<b>Printing with Windows</b> .....	<b>70</b>
Starting to print .....	70
Cancelling to Print .....	72

# Safety Instructions

---

---

---

## Safety Information

### *Laser safety*

This printer is certified as a Class 1 laser product under the U.S. Department of Health and Human Services (DHHS) Radiation Performance Standard according to the Radiation Control for Health and Safety Act of 1968. This means that the printer does not produce hazardous laser radiation.

Since radiation emitted by the laser is completely confined within protective housings and external covers, the laser beam cannot escape from the machine during any phase of user operation.

### *For European users*

#### *United Kingdom*

The EPSON ColorPage EPL-C8000 is a page printer which utilizes a semiconductor laser.

There is no possibility of danger from the laser, provided the printer is operated according to the instructions in the guides provided.

Since radiation emitted by the laser is completely confined within protective housings, the laser beam cannot escape from the machine during any phase of user operation.



**Warning:**

*Use of controls or adjustments or performance of procedures other than those specified in this guide, may result in hazardous radiation exposure.*

This is a semiconductor laser. The maximum power of the laser diode is  $5.0 \times 10^{-3}$  W and the wavelength is  $785 \pm 10/-15$  nm.

### *CDRH regulations*

The Center for Devices and Radiological Health (CDRH) of the U.S. Food and Drug Administration implemented regulations for laser products on August 2, 1976. Compliance is mandatory for products marketed in the United States. The label shown below indicates compliance with the CDRH regulations and must be attached to laser products marketed in the United States.

This laser product conforms to the applicable requirement of 21 CFR Chapter I, subchapter J.  
SEIKO EPSON CORP.  
Hirooka Office  
80 Hirooka, Shiojiri-shi, Nagano-ken,  
Japan  
MANUFACTURED:

### *Laser safety labels*

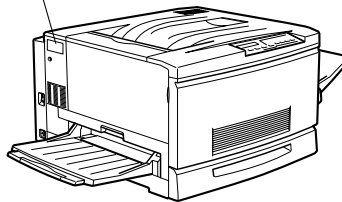


**Warning:**

*Use of controls, adjustments, or performance of procedures other than those specified in this guide may result in hazardous radiation exposure.*



Your printer is a Class 1 laser product as defined in IEC 825 specifications. The label shown below is attached in countries where required.



### ***Internal laser radiation***

Max. Radiation Power       $5.0 \times 10^{-3}$  W

Wave Length                      785 + 10/-15 nm

This is a Class IIIb Laser Diode Assembly that has an invisible laser beam. The printer head unit is NOT A FIELD SERVICE ITEM. Therefore, the printer head unit should not be opened under any circumstances.

### ***Ozone safety***

#### *Ozone emission*

Ozone gas is generated by laser printers as a by-product of the printing process. Ozone is produced only when the printer is printing.

### *Ozone exposure limit*

The print engine shall not exceed 0.02 ppm ozone concentration TWA (Time Waited Average).

### *Minimize the risk*

To minimize the risk of exposure to ozone, you should avoid the following conditions:

- Use of multiple laser printers in a confined area (see above)
- Operation in conditions of extremely low humidity
- Poor room ventilation
- Long, continuous printing together with any of the above

### *Printer location*

The printer should be located so that the exhaust gases and heat generated are:

- Not blown directly into the user's face
- Vented directly out of the building whenever possible

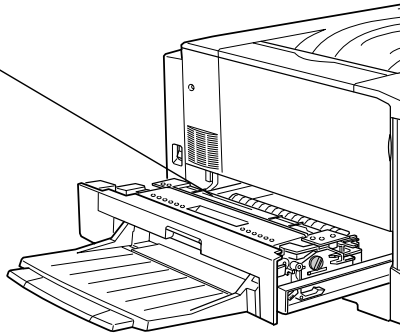
---

## Laser Printer Precautions

This printer uses laser technology. The following list of precautions applies whenever you use the laser printer. Even if you are familiar with other types of printers, be sure to follow these precautions carefully to ensure safe, efficient operation.

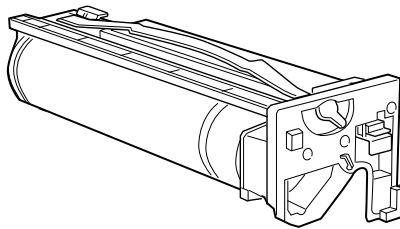
- ❑ Because the printer weighs approximately 70 kg (154 lb), you should not lift or carry it by yourself. Four people should carry it, lifting from the correct position. Refer to the instructions in Unpacking Guide.
- ❑ Be careful not to touch the fuser, which is marked **CAUTION! HIGH TEMPERATURE**. If the printer has been in use, the fuser can be very hot.

CAUTION! HIGH TEMPERATURE



- ❑ Avoid touching the components inside the printer unless instructed to do so in this guide.
- ❑ Never force the printer's components into place. Although the printer is designed to be sturdy, rough handling can damage it.
- ❑ When handling the toner cartridges, always set it on a clean, smooth surface.

- ❑ Do not attempt to modify or take apart the toner cartridge. It cannot be refilled.
- ❑ Try not to touch the toner and avoid all contact with your eyes.
- ❑ Do not dispose of the used toner cartridges, fuser oil roll, or waste toner collector in fire, as they can explode and cause injury. Dispose of them according to local regulations.
- ❑ Do not use a toner cartridge for at least one hour after moving it from a cool to a warm environment.
- ❑ Keep the fuser oil roll horizontal at all times. Do not tilt it or place it against something, as it can cause oil leakage and reduce print quality.
- ❑ When removing the photoconductor unit, avoid exposing it to room light any longer than necessary. The unit contains a light-sensitive drum, which is the green cylinder that can be seen through the openings to the unit. Exposure to light can damage the drum, causing dark or light areas to appear on the printed page and reducing the service life of the drum. If you need to keep the unit out of the printer for long periods, cover it with an opaque cloth.



- ❑ Be sure not to scratch the surface of the drum. When you remove the photoconductor unit from the printer, always set the unit on a clean, smooth surface. Also, avoid touching the drum, since oils from your skin can permanently damage its surface and may affect print quality.
- ❑ To get the best print quality, do not store the photoconductor unit in an area subject to direct sunlight, dust, salty air, or corrosive gasses (such as ammonia). Avoid locations subject to extremes or rapid changes of heat or humidity. Also, be sure to keep the consumable components out of the reach of children.
- ❑ Do not leave jammed paper in the printer. It can cause the printer to over heat.

**Hinweis:**

*Die Geräteanschlußleitung muß den einschlägigen Normen genügen.*

*Es muß eine dreiadrigte Leitung verwendet werden.*

*Die Anshlußleitung darf nicht leichter als H05VV-F oder H05VVH2-F sein.*

*Maschinenlärminformations-Verordnung-3. GSGV, 18. 01. 1991: Der arbeitsplatzbezogene schalldruckpegel beträgt 70 dB (A) oder weniger gemäß ISO 7779.*

---

## *Important Safety Instructions*

Read all of these instructions before operating your printer.

- Follow all warnings and instructions marked on the printer.
- Unplug this printer from the wall outlet before cleaning. Use a damp cloth for cleaning and do not use liquid or aerosol cleaners.
- Do not use this printer near water.
- Do not place the printer on an unstable cart, stand, or table.
- Slots and openings in the cabinet and the back or bottom are provided for ventilation. Do not block or cover them. Do not put the printer on a bed, sofa, rug, or other similar surface or in a built-in installation unless proper ventilation is provided.
- Use the type of power source indicated on the label. If you are not sure of the type of power available, consult your dealer or local power company.
- If you are unable to insert the plug into the outlet, contact your electrician.
- Do not put your printer where the cord will be walked on.
- Avoid using outlets that other appliances are plugged into.
- Only use an outlet that meets the power requirements of this printer.
- Never push objects of any kind through cabinet slots as they may touch dangerous voltage points or short out parts that could result in fire or electric shock.
- Never spill liquid of any kind on the printer.

- ❑ Except as specifically explained in this guide, do not attempt to service this product yourself. Opening or removing those covers that are marked “Do Not Remove” may expose you to dangerous voltage points or other risks. Refer all servicing in those compartments to service personnel.
- ❑ Unplug the printer and refer servicing to qualified service personnel under the following conditions:

If the power cord or plug is damaged; if liquid has entered the printer; if the printer has been dropped or the cabinet damaged; if the printer does not operate normally or exhibits a distinct change in performance. Adjust only those controls that are covered by the operating instructions.

- ❑ If you plan to use the printer in Germany, observe the following:

To provide adequate short-circuit protection and over-current protection for this printer, the building installation must be protected by a 16 Amp circuit breaker.

Bei Anschluß des Druckers an die Stromversorgung muß sichergestellt werden, daß die Gebäudeinstallation mit einem 16 A-Überstromschalter abgesichert ist.

---

## ENERGY STAR Compliance



As an International ENERGY STAR Partner, EPSON has determined that this product meets the International ENERGY STAR Program guidelines for energy efficiency.

The International ENERGY STAR Office Equipment Program is a voluntary partnership with the computer and office equipment industry to promote the introduction of energy-efficient personal computers, monitors, printers, fax machines, copiers, and scanners, in an effort to reduce air pollution caused by power generation.

---

## For United Kingdom Users

### *Use of options*

Epson (UK) Limited shall not be liable against any damages or problems arising from the use of any options or consumable products other than those designated as Original EPSON Products or EPSON Approved Products by Epson (UK) Limited.

### *Safety information*

**Warning:** *This appliance must be earthed. Refer to rating plate for voltage and check that the appliance voltage corresponds to the supply voltage.*

**Important:** *The wires in the mains lead fitted to this appliance are coloured in accordance with the following code:*

*Green and yellow—Earth  
Blue—Neutral  
Brown—Live*



***If you need to fit a plug:***

*As the colours of the mains lead of this appliance may not match any coloured markings used to identify the terminals in a plug, please proceed as follows:*

- ❑ The green and yellow wire must be connected to the terminal in the plug which is marked with the letter E or the Earth symbol ( $\perp$ ).
- ❑ The blue wire must be connected to the terminal in the plug marked with the letter N.
- ❑ The brown wire must be connected to the terminal in the plug marked with the letter L.

If damage occurs to the plug, replace the cord set or consult a qualified electrician.

Replace fuses only with a fuse of the correct size and rating.

---

## ***Warnings, Cautions, and Notes***



***Warnings*** must be followed carefully to avoid bodily injury.



***Cautions*** must be observed to avoid damage to your equipment.

***Notes*** contain important information and useful tips on the operation of your printer.

# System Requirements

---

---

To use your printer with a PC, you need Microsoft® Windows® 95, 98, or Windows NT® 4.0; and a shielded, twisted-pair parallel cable.

To install and use the printer software (printer driver and utilities) included on the CD-ROM or floppy disk packed with your printer, your system should meet the following requirements:

---

## For Windows 95/98

Operating system: Windows 95 or Windows 98

Minimum system	Recommended system
i486/25 MHz for Windows 95 i486/66 MHz for Windows 98	Pentium or higher processor
16MB RAM	32MB RAM or more
10MB hard disk space	50MB or more free disk space
800 × 600 pixel monitor	Greater than 800 × 600 pixel monitor

**Note:**

*Depending on the size of your printer data, you may need more memory and hard disk space than above.*

---

## For Windows NT 4.0

Operating system: Windows NT 4.0

Minimum system	Recommended system
i486/25 MHz	Pentium or higher processor
16MB RAM	64MB RAM or more
20MB hard disk space	100MB or more free disk space
800 × 600 pixel monitor	Greater than 800 × 600 pixel monitor

**Note:**

*Depending on the size of your printer data, you may need more memory and hard disk space than above.*

# Assembling the Printer

---

---

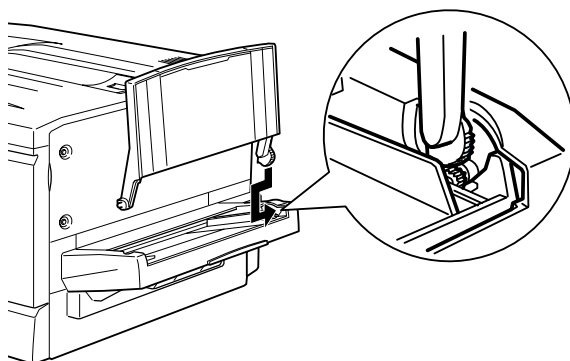
Before assembling the printer, make sure that all protective materials packed around and inside your printer are removed. Follow the instructions in the Unpacking Guide to remove these materials.

---

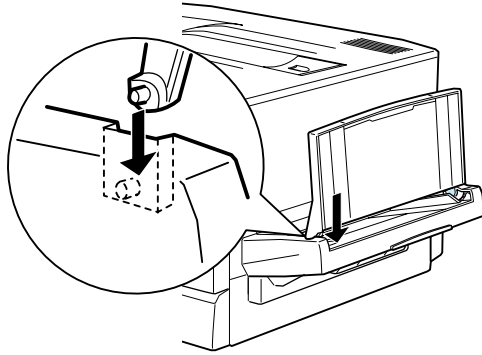
## Installing the Expansion Tray

The expansion tray is used for the wide-size paper setting. To install the expansion tray on the right side of the printer, follow the instructions below.

1. Hold the expansion tray vertically. Then insert its right leg into the hollow of the MP tray to fit the pin on the leg to the hole on the MP tray. Make sure the gears of both trays fit properly.



2. While holding the expansion tray vertically, insert the left leg into the MP tray until the pin clicks in the hole on the MP tray.

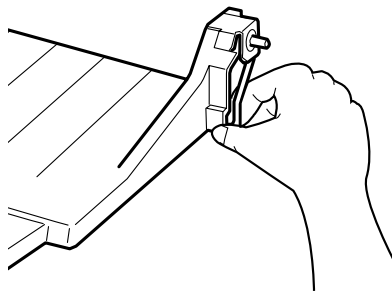


---

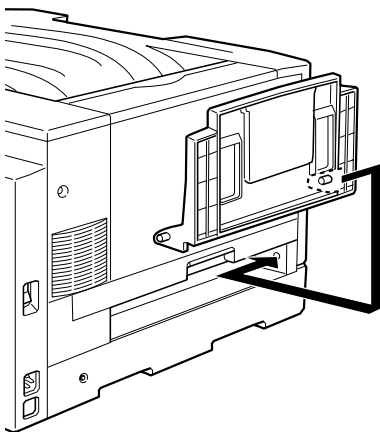
## *Installing the Face-Up Tray*

Install the face-up tray to the left side of the printer as follows:

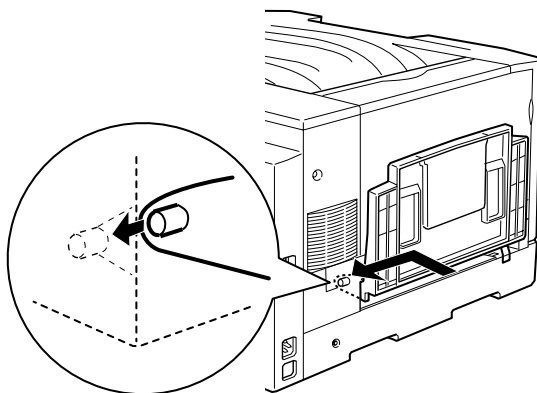
1. Locate the output slot on the left side of the printer.
2. Squeeze the metal spring on the right side of the face-up tray so that the end of the spring is folded down against the tray. (as shown in the illustration below)



3. Insert the plastic mounting pin on the right side of the face-up tray into the corresponding hole inside the output slot.



4. Insert the left mounting pin on the face-up tray into the hole on the left side of the output slot.

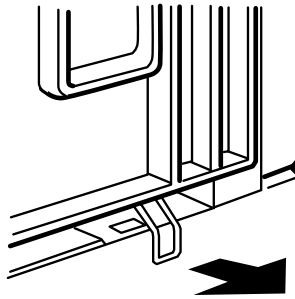


5. Release the spring so that the end rests against the outer case of the printer as shown in the illustration below.



**Caution:**

*Do not insert the metal spring into the output slot or any holes in the printer case. Doing so may damage the face-up tray or your printer.*



---

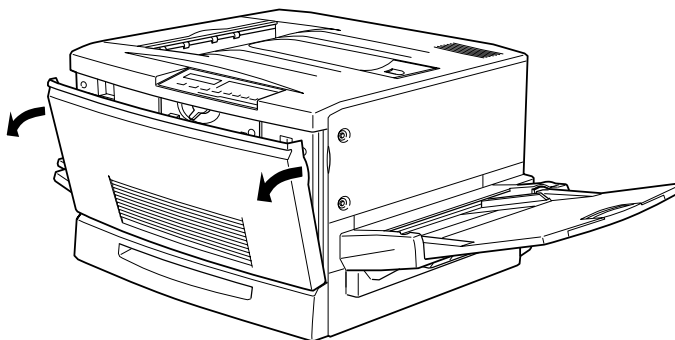
## ***Installing the Toner Cartridges***

You need to install four cartridges in the printer.

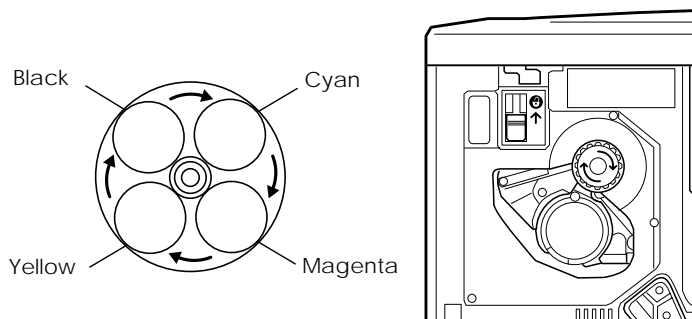
**Note:**

- If the toner gets on your skin or clothes, wash it off with soap and water immediately.*
- Do not install a cartridge for at least an hour after moving it from a cool to a warm environment.*

1. Open the front cover.

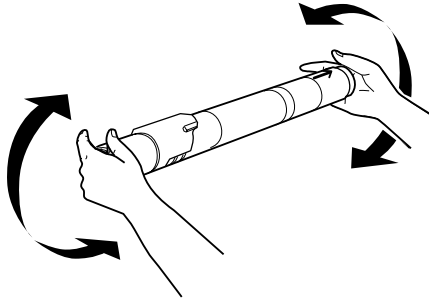


2. Check which color appears in the cartridge installment window and prepare a cartridge with the same color.

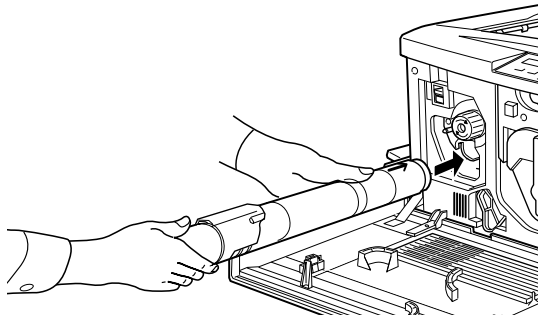




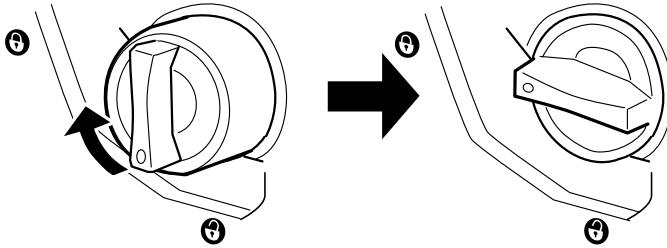
3. Take the cartridge out of the package and gently shake it back and forth and from front to back as shown below to distribute toner evenly.



4. Hold the cartridge the arrow side up. Insert it all the way into the cartridge slot.



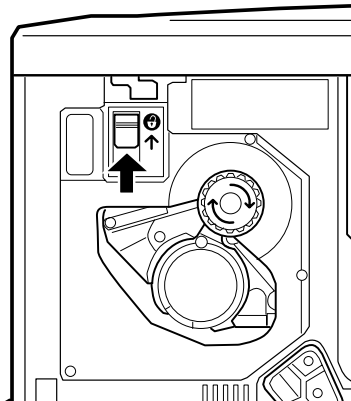
5. Turn the cartridge knob clockwise 90 degrees so that the ● symbol on the knob is in the position shown below. By turning the knob, the cartridge is pressed into the slot and installed completely.



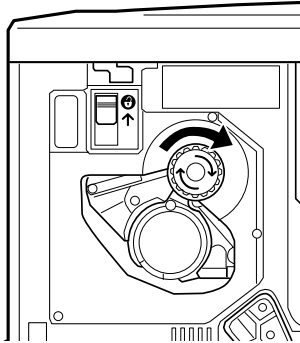
**Caution:**

*Make sure to turn the knob all the way to the setting position; otherwise, you may have toner problems or leakage.*

6. Push the switch located at the upper left up, then release it.



7. Turn the round knob located just above the installment window clockwise until it stops. The switch drops down to lower position automatically and the next cartridge slot appears in the installation window.



**Note:**

*If the knob can not be moved, first check if the switch is in the upper position. Do not turn the knob by force.*

8. Install the cartridges as described steps 2 to 7 (for the last cartridge, you do not need step 7).
9. See the next section for instructions on how to install the photoconductor unit.

---

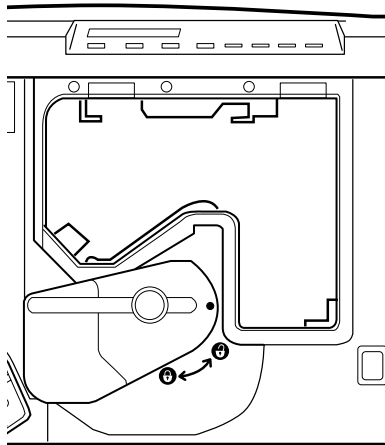
## *Installing the Photoconductor Unit*

Before installing the fuser oil roll, read the following precautions:

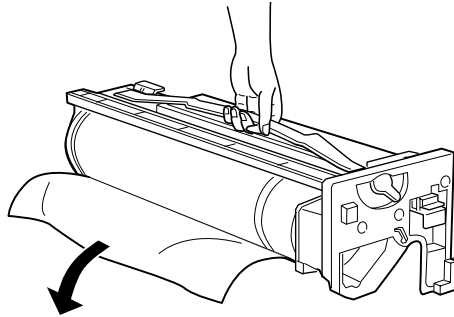
- ❑ When installing the photoconductor unit, avoid exposing it to room light any longer than necessary.
- ❑ Be sure not to scratch the surface of the drum. Also avoid touching the drum, since oils from your skin can permanently damage its surface and may affect print quality.

To install the photoconductor unit:

1. Open the front cover.
2. Turn the large lever counterclockwise 90 degrees.



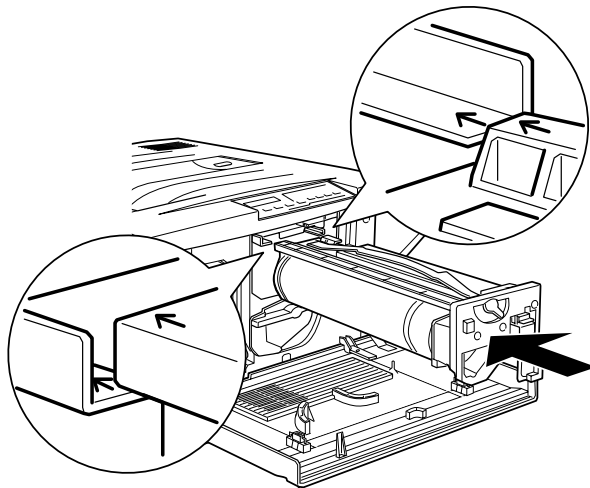
3. Take a photoconductor unit out of its package and remove the protective sheet by holding the handle as shown below.



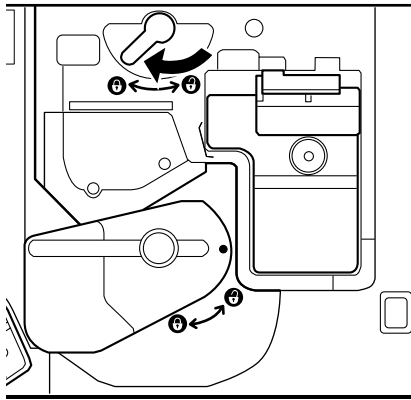
**Caution:**

*Be sure not to touch or scratch the surface of the drum.*

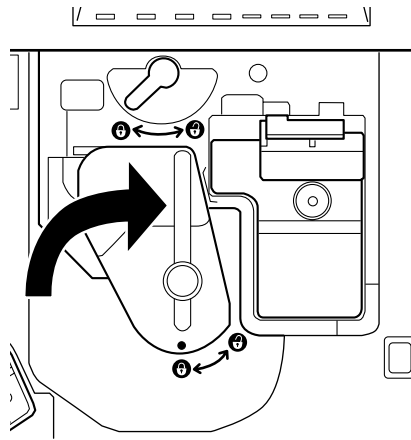
4. Hold the handle on top of the photoconductor unit and place the unit on the guide rails. Insert it all the way into the printer.



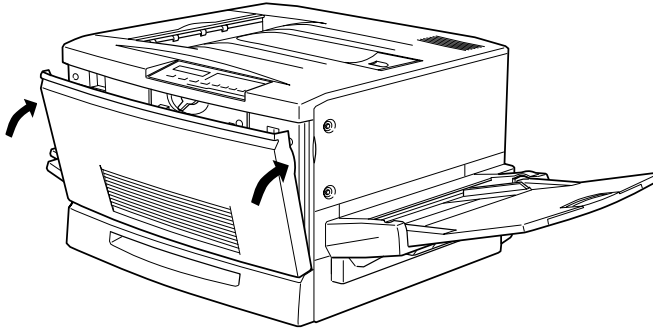
5. Turn the small lever on the photoconductor unit to the left.



6. Turn the large lever clockwise 90 degrees.



7. Close the front cover.

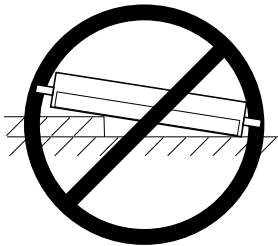


---

## *Installing the Fuser Oil Roll*

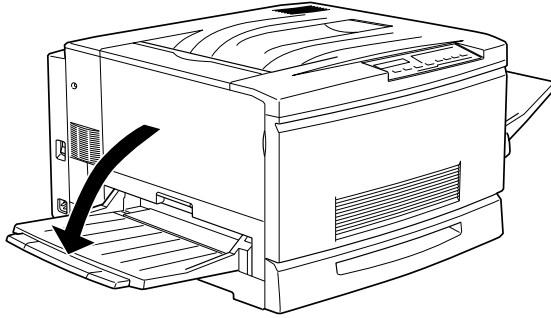
Before installing the fuser oil roll, read the following precautions:

- Do not touch the white roll surface.
- If the oil gets your skin or clothes, wash it off immediately.
- The roll should be always kept horizontally. Do not tilt or place it against something. It can cause oil leakage and reduced print quality.

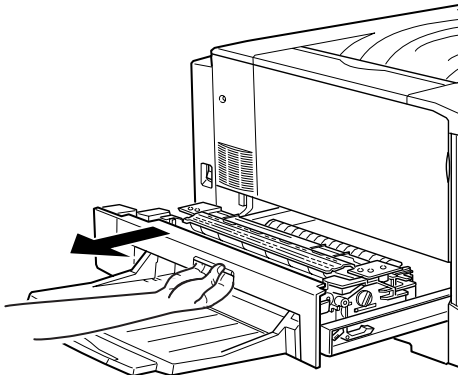


To install the fuser oil roll, follow the steps below:

1. Pull down the face up tray.



2. Hold the handle of the fuser unit and pull it all the way out.



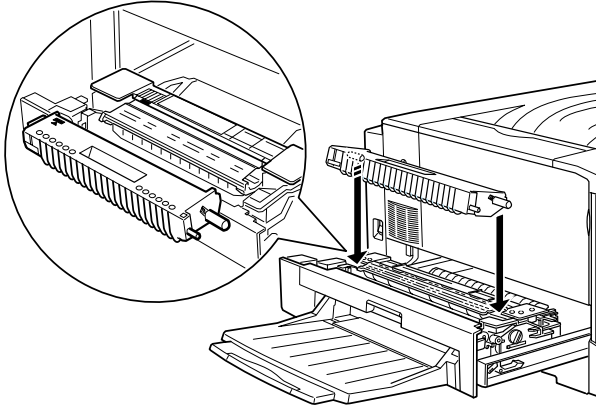
3. Take the fuser oil roll from the box and remove the cover and two pins as shown below:

**Note:**

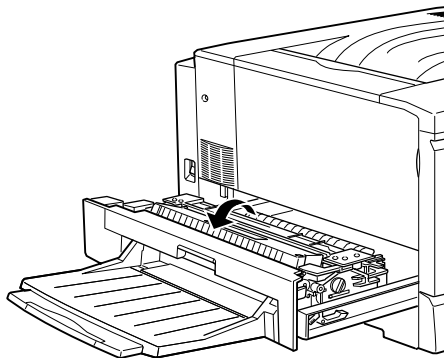
*Do not touch the white roll surface.*



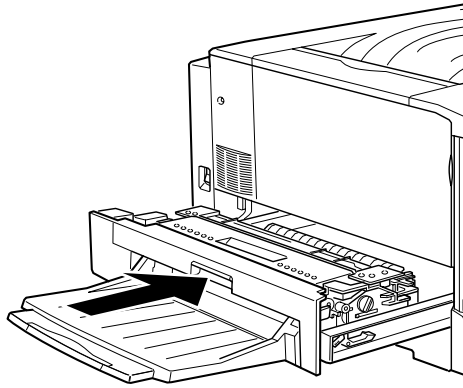
4. Hold the roll handle and insert it into the fuser unit matching the green marks on the roll and unit.



5. Push the roll down firmly until it clicks into place.



6. Push the fuser unit into the printer until it clicks.



# Installing the Options

---

---

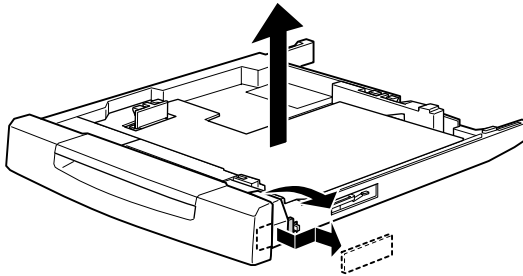
If you purchased any options with the printer, install them before plugging in the printer.

---

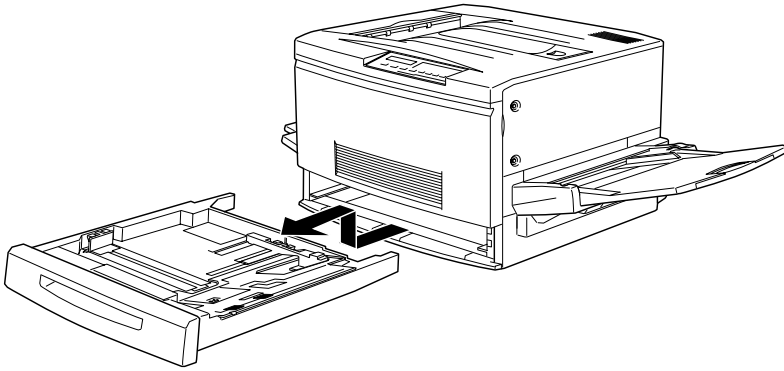
## Installing the 250 Sheet Lower Paper Cassette Unit (A3W)

This cassette is designed for A3W size paper only. You can load up to 250 sheets.

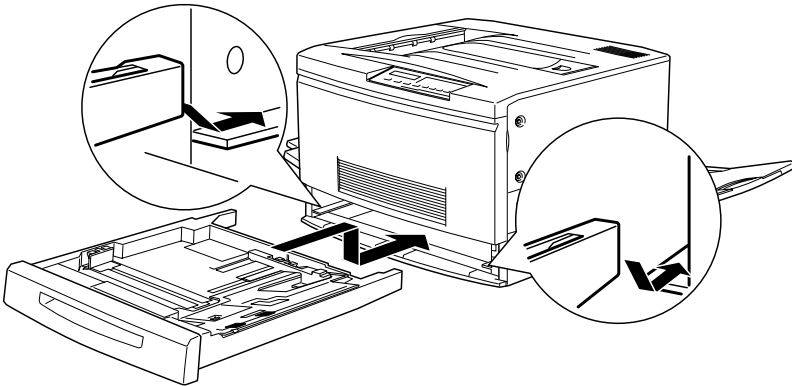
1. Remove the protective materials from the cassette.



2. Pull the printer's lower paper cassette unit all the way out and remove it by lifting up.



3. Put both legs of the optional lower paper cassette unit (A3W) on the printer's slot guide, then insert it into the printer. Push the cassette unit all the way in.



---

## Installing the Large Capacity Paper Unit

The optional large capacity paper unit has three paper cassettes.

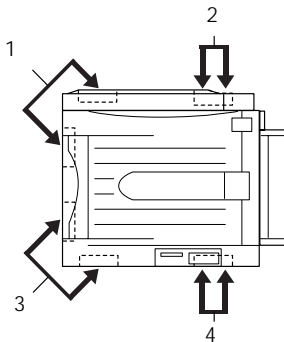
**Note:**

*The optional lower paper cassette unit (C81302\*) cannot be mounted on the large capacity paper unit. If you try it, the units may be damaged.*

### Precautions before installing

Before installing the large capacity paper unit, read the following precautions:

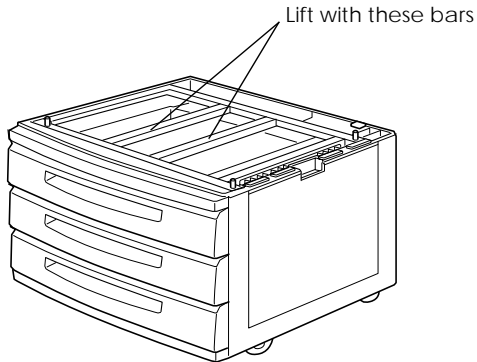
- ❑ Two or more people should carry this unit because its weighs approximately 24 kg (53 lb).
- ❑ When installing this unit with the printer, lock all casters at the bottom of the unit. Also when you do not need to move the unit (with the printer), lock all casters. Otherwise, the unit may cause an accident.
- ❑ Four people should lift the printer to install the unit because the printer weighs approximately 70 kg (154 lb). Make sure to lift it from the correct position as follows:



If you lift the printer improperly, it can fall and injure you.

## Unpacking and removing the protective materials

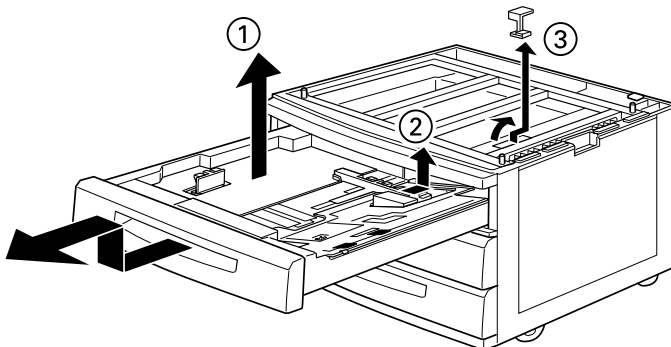
1. Open the box that contains the unit. Have two or more people lift the unit.



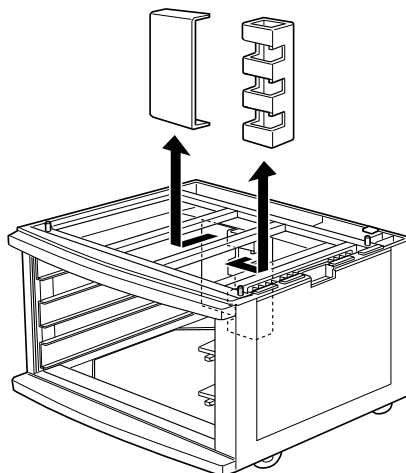
### **Caution:**

*Two or more people should lift the unit because it weighs approximately 24 kg (53 lb).*

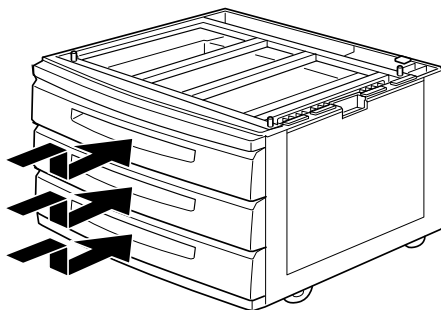
2. Pull out the top cassette and remove the protective materials in the following order: 1) cardboard, 2) foam material, 3) tape and plastic material. Then remove the cassette from the unit by gently lifting it up.



3. For the middle and lower cassettes, remove the protective materials in the same way as in step 2. Then remove the cassettes from the unit.
4. Remove the two pieces of cardboard from the inside of the unit.

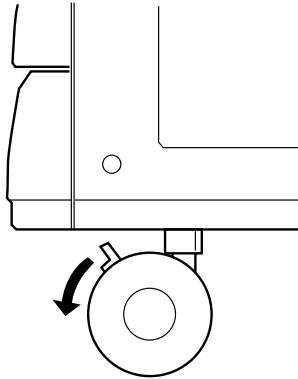


5. Return the cassettes to the unit. Lift the cassettes slightly to slide onto the guide-rails, then push the cassettes all the way into the unit.



## Installing the unit on the printer

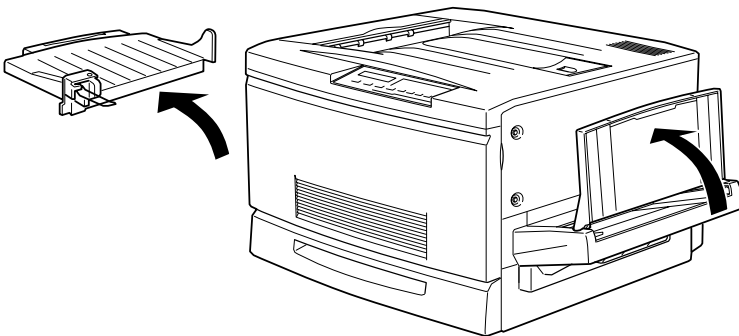
1. Lock the casters at the bottom of the unit.



### **Caution:**

*You should lock all casters before installing. Otherwise the unit may move and cause an accident.*

2. Remove the face up tray located on the left side of the printer and fold up the expansion tray located on the right side of the printer.



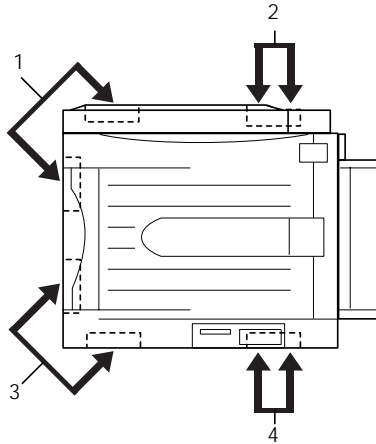


3. Lift the printer up.

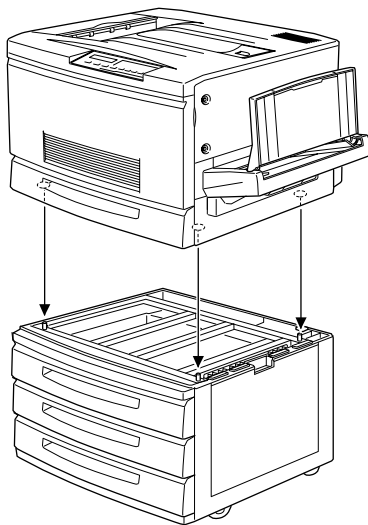


**Caution:**

*Four people should lift the printer from the correct positions as shown below:*



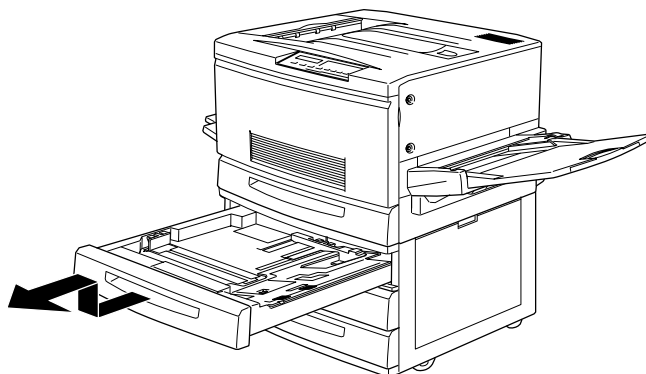
4. Keep the printer horizontal. Put it down softly on the unit so that the three pins on top the unit of fit into the holes on the bottom of the printer.



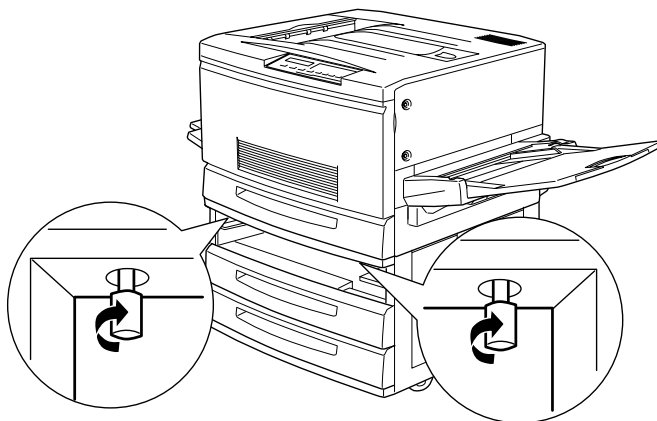
**Note:**

*To fit the pins and holes easily, match the front and side of the printer and the unit cases.*

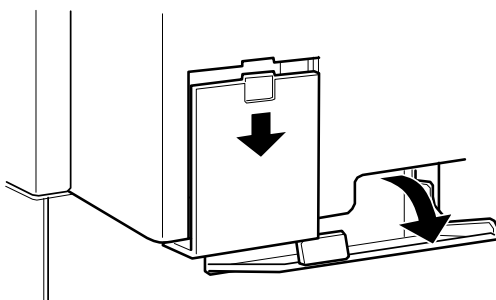
5. Remove the top cassette from the unit.



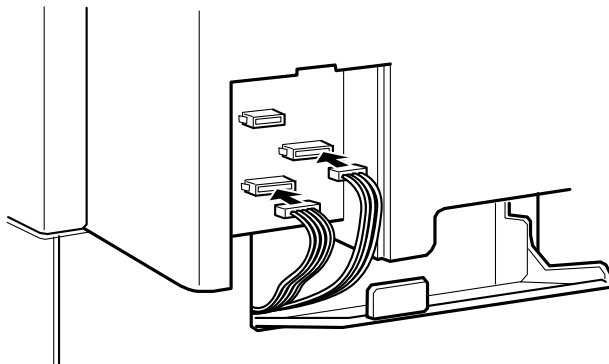
6. Tighten two screws on the upper side of the unit to secure the printer and unit.



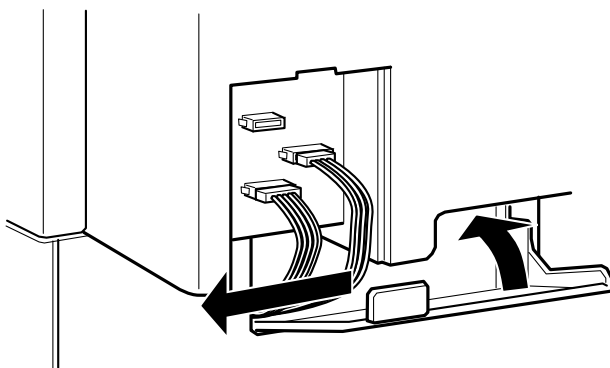
7. Return the top cassette to the unit.
8. Open the cover at the back of the unit, then remove the connector cover at the back of the printer by sliding it down.



9. There are two sets of cables and connectors. Be sure that the connector size is different between the two connectors. Check the connector size first and connect each cable to the same-size connector.



10. Attach the cables on the left side and close the cover of the unit to hold the cables down. Then attach the connector cover on the printer.



---

## Installing Memory Module

You can increase printer memory up to 256 MB (including printer default 64 MB) by installing the optional DIMM (Dual In-line Memory Module). This printer has two slots for the optional DIMMs.

You can purchase DIMMs from various vendors. Be sure to meet the following requirements:

DRAM type	Synchronous Dynamic RAM Double In-line Memory Module (SD RAM DIMM)
Capacity	32MB, 64MB, or 128MB
Type	168-pin type, 64 bit, with SPD
Access speed	66.66 MHz or higher (15 ns or less)
Height	Less than 40 mm



**Caution:**

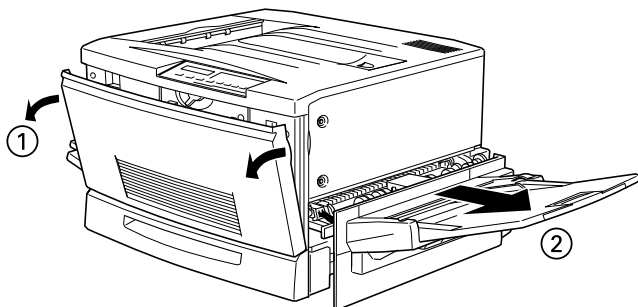
*Before you install the module, be sure to discharge any static electricity by touching a grounded piece of metal. Otherwise, you may damage static-sensitive components.*



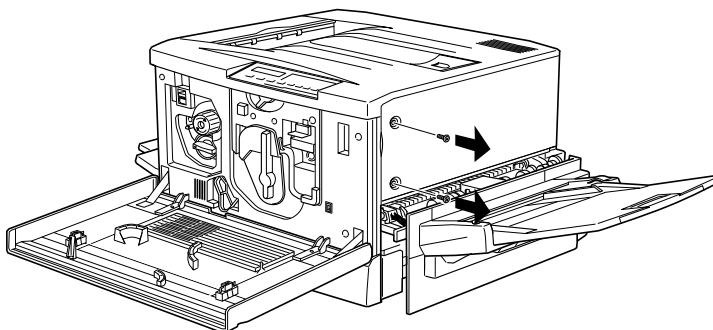
**Warning:**

*Be careful when working inside the printer as some pieces are sharp and may cause injury.*

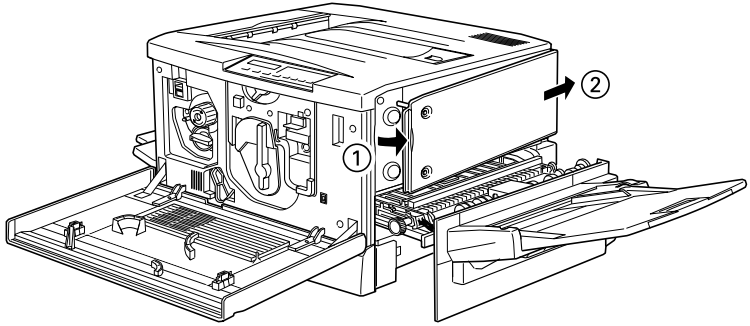
1. Open the printer cover and pull out the paper path unit at least 10 cm (4 inches).



2. Remove the screws on the right side cover.



3. Open the front side of the right cover side until the pin on the cover comes out the hole. Then remove the cover by sliding it back.

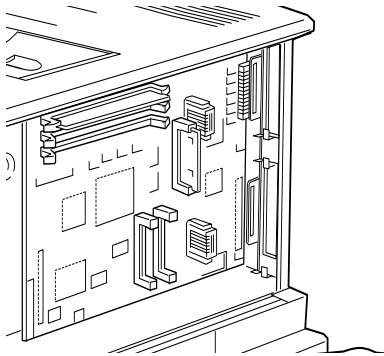


4. Check the position of the slots for optional DIMMs.

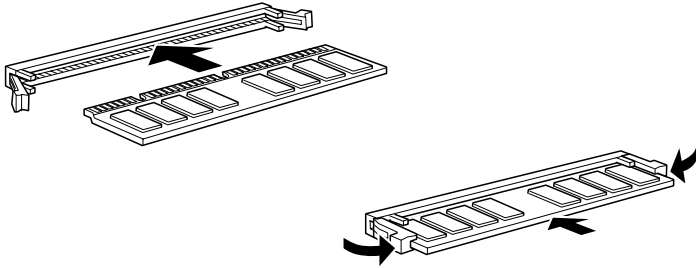


**Caution:**

*You should not remove any modules from the circuit board.  
If you remove them, the printer will not work.*

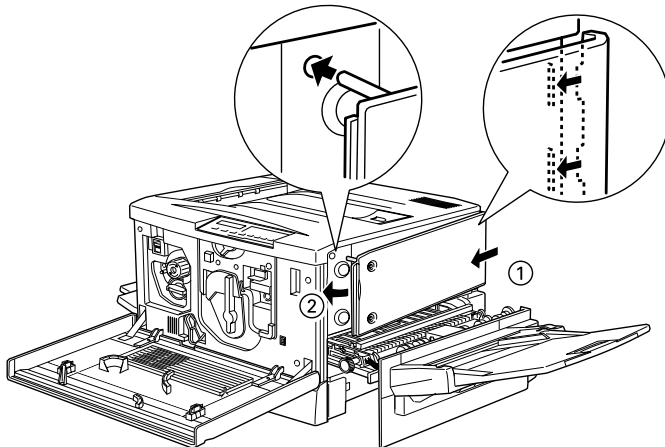


5. Insert the module into the slot straight (either slot is OK) as shown below. The clips on the slot fasten the DIMM when it is inserted correctly.



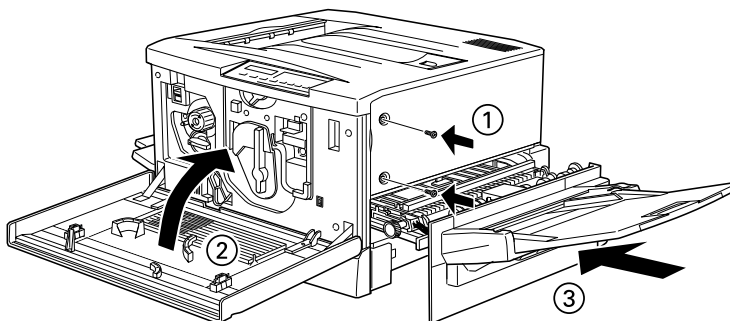
**Caution:**

- ❑ Do not apply force when inserting the DIMM.
  - ❑ Make sure to insert the DIMM facing the correct way.
6. To replace the right cover; first insert the cover's hook in the slot at the back side of the printer, then close the front side making sure to fit the cover pin to the printer hole.





7. Secure the cover with the screws. Close the front cover and the paper path unit.



---

## Installing the ROM Module

In some locations, there are optional ROM modules that can expand your printer's features.



**Caution:**

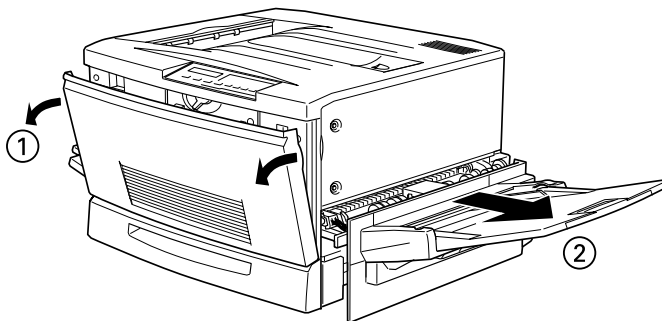
*Before you install the module, be sure to discharge any static electricity by touching a grounded piece of metal. Otherwise, you may damage static-sensitive components.*



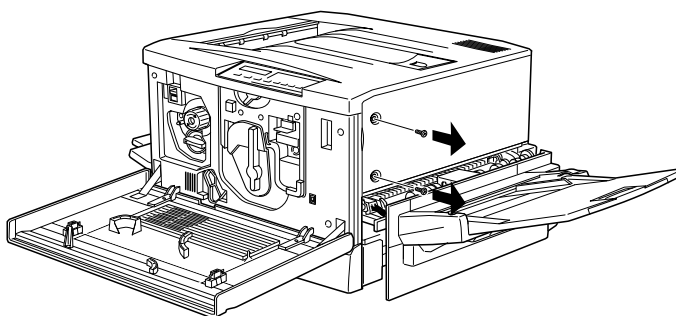
**Warning:**

*Be careful when working inside the printer as some pieces are sharp and may cause injury.*

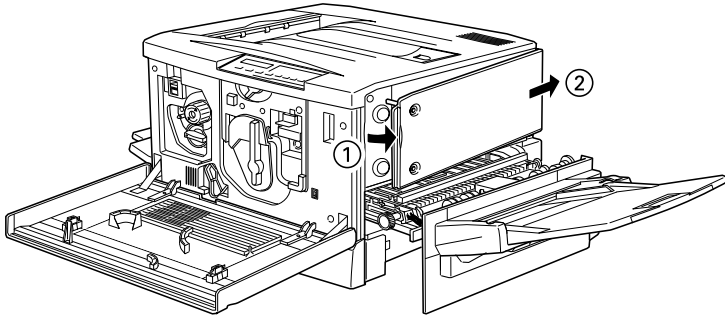
1. Open the printer cover and pull out the paper path unit at least 10 cm (4 inches).



2. Remove the screws on the right side cover.



3. Open the front side of the right cover side until the pin on the cover comes out the hole. Then remove the cover by sliding it back.

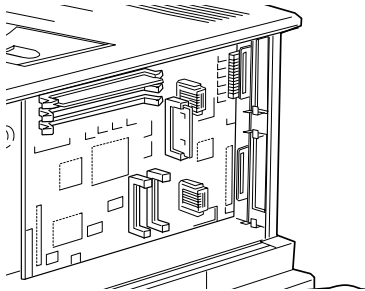


4. Check the position of the slots for a ROM module.

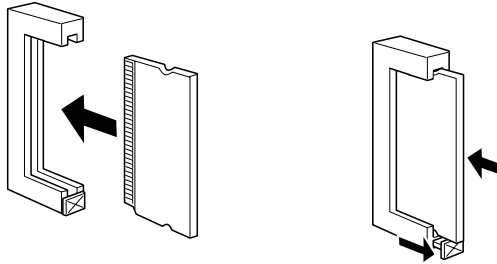


**Caution:**

*You should not remove any modules from the circuit board. If you remove them, the printer will not work.*

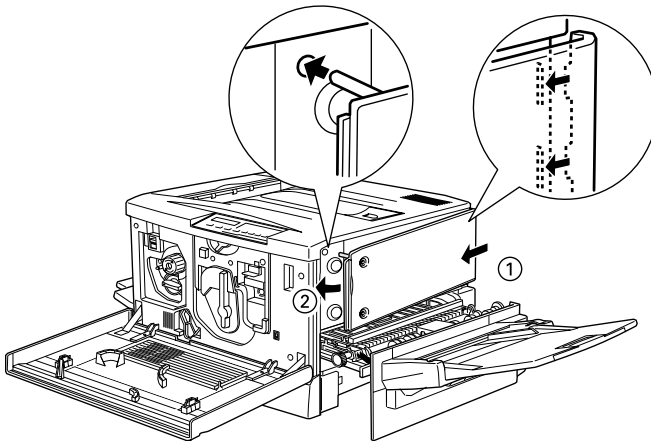


5. Insert the module all the way into the slot A, making sure that the gold contact side of the module should be lower. The X tab at the bottom of the slot will jut out when the module is inserted correctly.

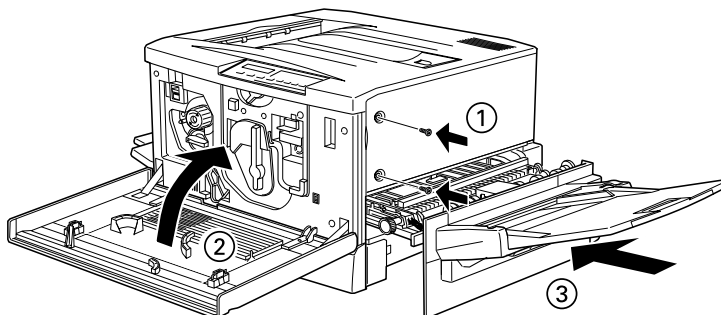


**Caution:**

- ❑ Do not apply force when inserting the module.
  - ❑ Make sure to insert the module facing the correct way.
6. To replace the right cover; first insert the cover's hook in the slot at the back side of the printer, then close the front side making sure to fit the cover pin to the printer hole.



7. Secure the cover with the screws. Close the front cover and the paper path unit.



---

## Installing an Interface Card

Follow the steps below to install an optional interface card.

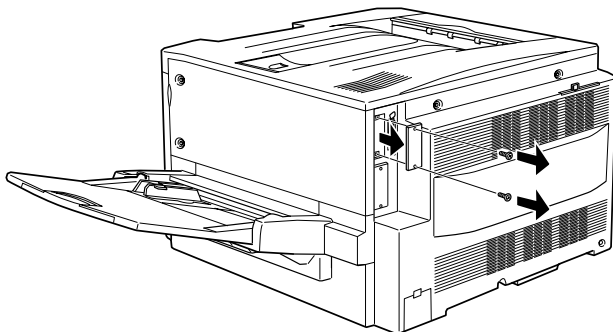


**Caution:**

*Before you install the interface card, be sure to discharge any static electricity by touching a grounded piece of metal. Otherwise, you may damage static-sensitive components.*

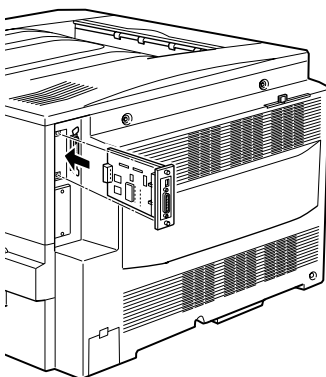
1. Be sure to set any switches and jumpers on the card, as necessary. See the interface card's manual for details.

2. Remove the screws from the shield plate on the back of the printer and remove the plate.

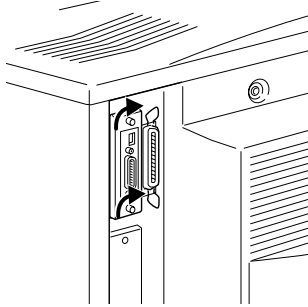


**Note:**

- You can install the card to either slot.
  - Store the shield plate in a safe place; you will need to reattach it if you remove the interface card later.
3. Slide the interface card along the slots on both sides of the interface compartment. Push the card in firmly to make sure the connector at the back of the interface card is fully inserted into the printer's internal socket.



4. Replace the two screws and tighten them.



# Plugging in the Printer

---

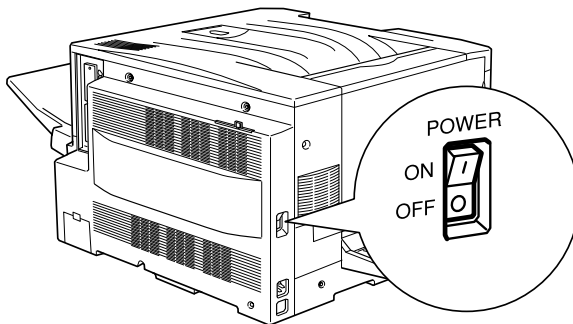
1. Check the label on the left side of the printer to make sure the voltage required by the printer matches that of the electrical outlet it will be plugged into. Also, make sure that you have the correct power cable for your power source.



**Caution:**

*It is not possible to change the printer's voltage. If the required voltage and your outlet voltage do not match, contact your dealer for assistance. Do not plug in the power cord.*

2. Make sure the printer is turned off. It is off when the ○ side of the power switch on the left side of the printer is pushed in.



3. Connect the power cord to the AC inlet on the left side of the printer.
4. Plug the power cord into a properly grounded electrical outlet.



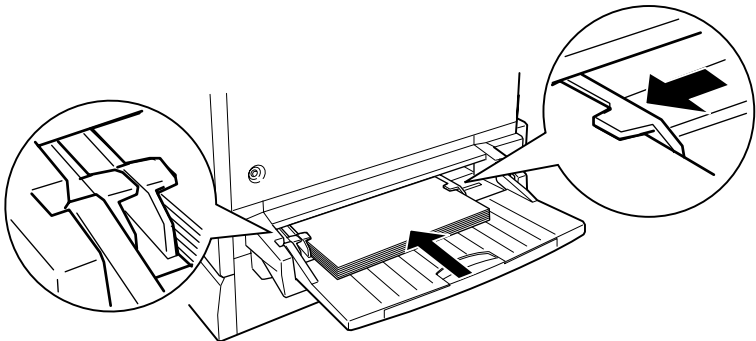
---

## Testing the Printer

To test whether the printer is set up correctly, print a status sheet. The status sheet contains information about the printer, including the current settings. Follow the steps below.

### Loading paper

1. Fan a stack of A4 or Letter-size paper; then tap it on a flat surface to even the edges.
2. Make sure to load paper into the MP tray long edge first. Load the stack of paper with the printable surface up and left edge of the paper resting against the left paper guide of the MP tray. Then slide the right paper guide against the right edge of the paper.



### Printing a status sheet

1. Turn the power switch at the left side of the printer on. The lights and the display messages are changed in the following order:

All lights come on once and then turn off. The display shows ROM check.

The display shows RAM check XXXMB, with the actual memory size of your printer, including the memory size of optional memory module if installed, is displayed in place of XXX.

The display shows SelfTest then shows Warming Up. The On Line light comes on.

After about five minutes, the display shows Ready.

2. Press the Enter button. The display shows Status Sheet.
3. Press the Enter button again. The message on the display start flashing and the printer start printing the status sheet.
4. Check the following points in the printed status sheet:
  - ❑ The printer can print the status sheet clearly.
  - ❑ The information on the options installed to the printer is printed correctly. If you can find the installed option's name under Hardware Configurations title, it means that the printer can recognize the installed option properly.

**Note:**

*If you installed an optional memory module, Installed Memory shows the total size including both default 64MB and optional module's size. However, if you installed two 128MB-DIMMs, the status sheets shows 256 MB because the maximum memory size for this printer is 256 MB.*

If the printer cannot print the status sheet or you find any problem with the printing result of the status sheet, contact your dealer.

---

## Connecting to the Computer

To connect your computer to your printer's built-in parallel interface, you need a shielded, twisted-pair parallel cable with IEEE-1284 compatible.

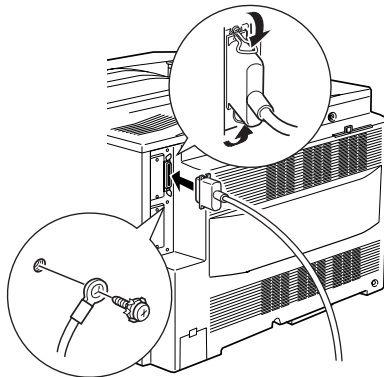
**Note:**

*If you installed the optional interface card, you need a different type of the cable. Check the optional interface card's documentation.*

1. Make sure both the printer and the computer are off.
2. Plug the cable connector securely into the printer's interface connector, and squeeze the wire clips together until they lock in place on both sides of the connector.

**Note:**

*If your cable has a ground wire, connect it to the printer's ground connector as shown below.*



3. Plug the other end of the cable into the computer. (If the cable has a ground wire at the computer end, attach it to the ground connector at the back of the computer.)

After you connect the printer to your computer, install the printer driver software as described in the next section.

# Installing the Printer Software

---

---

After connecting the printer to your computer, install the printer software. It is included on the “Printer Software for EPSON EPL-C8000” CD-ROM shipped with your printer.

Your printer software includes:

**Printer driver**

The printer driver gives you complete control over your printer with the Microsoft® Windows® 95, 98 or NT® 4.0 operating systems. With it, you can make settings such as print quality, color setting, and paper size.

**EPSON Status Monitor 2 utility (for Windows 95 and 98)**

The EPSON Status Monitor 2 allows you to view printer status information such as the amount of toner remaining and check for any printer errors.

**EPSON Font Manager**

The EPSON Font Manager provides you 31 printer fonts and 65 software fonts.

**Online help**

Online help gives you instant on-screen access to detailed information and instructions on printer settings.

**Note:**

- If you wish to make a floppy disk version of the printer software on your CD-ROM, you can use the driver disk creation utility included on the CD.*
- If you are running DOS, you must use a driver other than the one included with the printer. See page 58.*

---

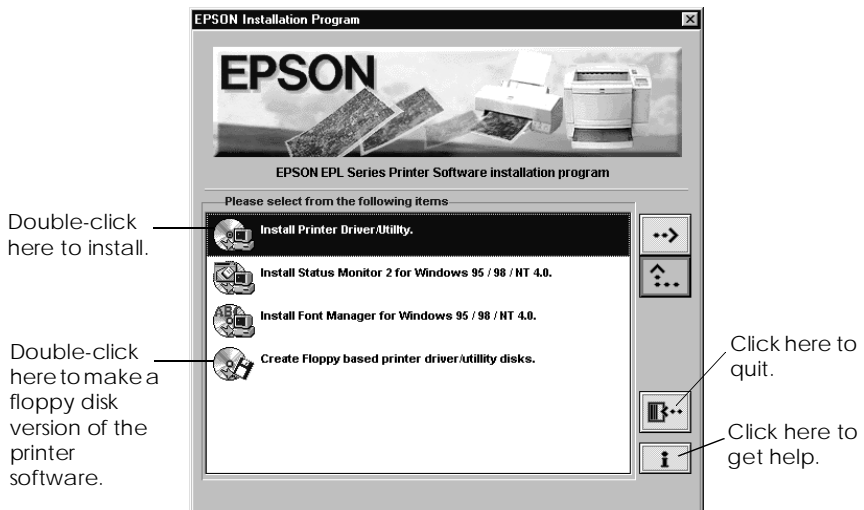
## For All Windows Users

Follow these steps to install the printer driver for Windows 95, 98 or NT 4.0.

**Note:**

*Installing the printer driver for Windows NT 4.0 may require network administration privileges. Ask your network administrator for more information.*

1. Make sure the printer is off and Windows is running.
2. Insert the CD-ROM that comes with your printer into your CD-ROM drive (this is usually drive D).
3. Click Start, then choose Run.
4. Type D:\EPSETUP; then click OK (if the CD-ROM drive letter is not D, substitute the appropriate drive letter).
5. In the dialog box that appears, double-click Install Printer Driver/Utility; or you can also install by selecting Install Printer Driver/Utility and then clicking the arrow on the top right.



If this dialog box does not appear, double-click the My Computer icon, then double-click the CD-ROM drive icon. If this dialog box appears, double-click Install Printer Driver/Utility.

If this dialog box still does not appear, double-click the Setup.exe icon. You may need to use the arrows to scroll through the folder to find it.

6. In the dialog box that appears, select EPSON EPL-C8000 Advanced and click OK. The printer driver is installed automatically.



7. When installation is complete, click OK.
8. For Windows 95 and 98, the EPSON Status Monitor 2 utility installation starts automatically.

**Note:**

- You can stop the EPSON Status Monitor 2 utility installation by clicking the Cancel button. If you want to install it later, see "Installing the EPSON Status Monitor 2 utility" section in Reference Guide.
- Installation time varies, depending on your computer system.

The printer driver is now installed on your computer. The installation program automatically selects this printer as the default printer for Windows applications.

If you installed the options to the printer or use your printer on a network, you need to make some settings after installing the driver. See page 60 for Windows 95/98 or page 64 for Windows NT 4.0.

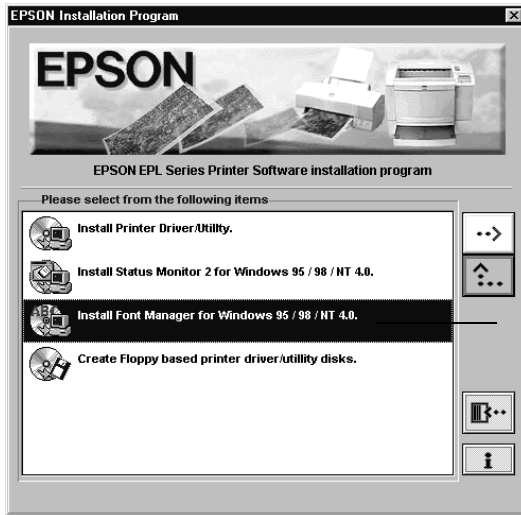
Before using the printer software, read the README file located in the EPSON (Printers) folder. For information on opening and using the see the description later in this manual or Chapter 4 and Chapter 5 in *User's Guide*.

### ***Installing EPSON Font Manager***

Follow these steps to install EPSON Font Manager:

1. Make sure Windows is running and the printer is turned off.
2. Insert the CD-ROM that comes with your printer into your CD-ROM driver.
3. Click Start; then choose Run.
4. Type D:\EPSETUP; then click OK (if the CD-ROM drive letter is not D, substitute the appropriate drive letter).

5. In the dialog box that appears, double-click Install Font Manager; or you can install by selecting Install Font Manager and then clicking the arrow at the top right.



Double-click here to install.

6. Follow the on-screen instructions.
7. When installation is complete, click OK.

The EPSON Font Manager are now installed on your computer.

---

### *For DOS programs*

When using this printer with DOS programs, only black-white printing is available.

Since DOS application programs differ in their driver selection procedures, there is no standard way to select the printer driver. See your software manual for information on how to select the printer.



When asked to select a printer, pick the first printer available in the list below.

EPL-C8000  
EPL-5700  
EPL-5500/5500+  
EPL-N1600  
EPL-N1200  
EPL-N2000  
EPL-5600  
EPL-3000  
EPL-5200/5200+  
HP LaserJet III/IIIP/IIID  
HP LaserJet III Si  
HP LaserJet 4L  
EPL-9000  
HP LaserJet 4

If you choose a printer other than the EPL-C8000, you may not be able to use some printer features.

---

## ***Making Basic Printer Settings***

When you install options in the printer or use your printer on a network, you need to make some settings before you start printing.

In addition, you should make sure that the driver settings match your document requirements. While many Windows applications override the printer settings made with the driver, some do not.

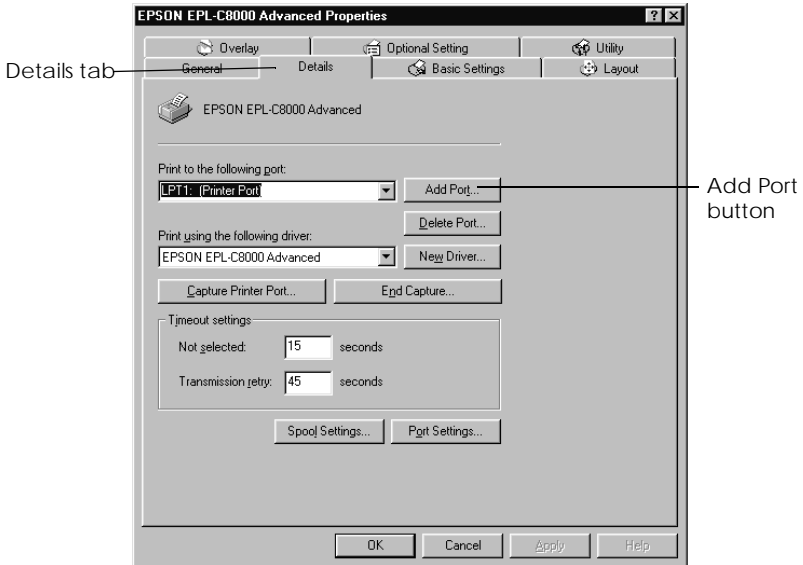
### *Using your printer on a network*

To use your printer over a network with Windows 95/98, you must set up the computer to which the printer is connected (the print server) and also set up the other computers on the network which will use the computer (the client computers). To set up the print server so that the printer is shared across the network, see your Windows 95/98 documentation.

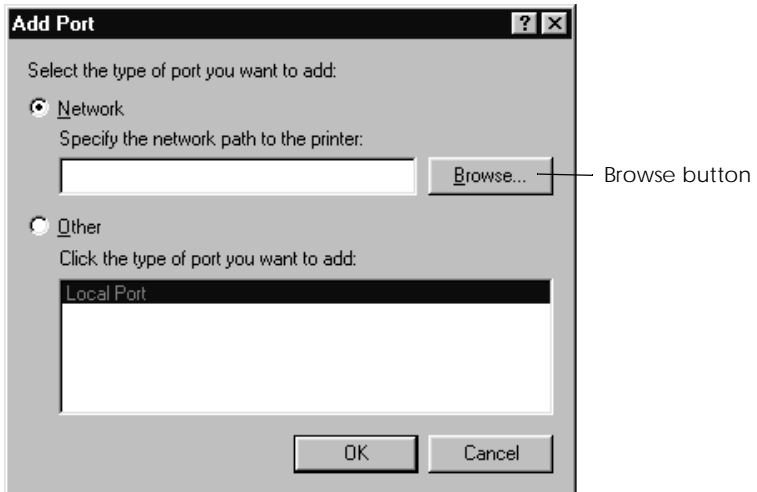
The instructions below explain how to set up your Windows 95/98 as a client computer to use your printer, after you have set up the print server.

1. Make sure your printer software is installed (see page 55 if it is not installed).
2. Double-click the My Computer icon and double-click the Printers folder.
3. Right-click the icon of your printer, and click Properties.

4. Click the Details tab. Then click the Add Port button.



5. In the following dialog box, click Browse.



6. Double-click the icon of the computer that is directly connected to the printer. Then click the icon of the printer you plan to use on the network.
7. Click OK and follow the messages on the screen.

Now you can use the printer connected to the print server over the network from your client computer.

### ***Setting the installed option***

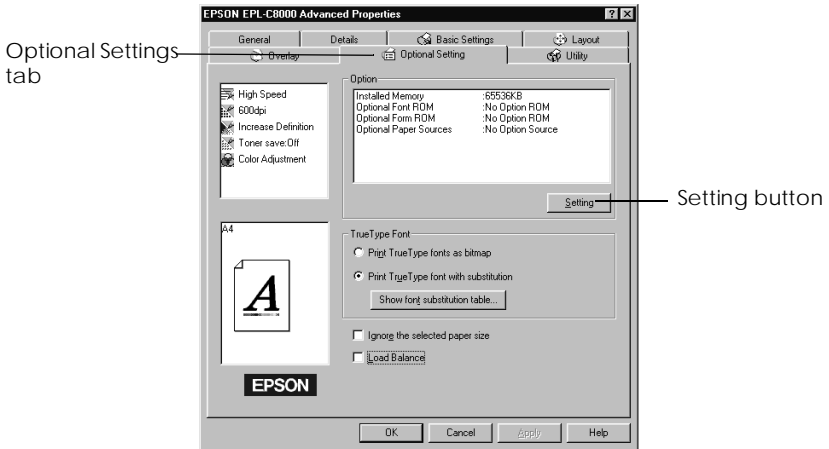
If you installed any options in the printer, you need to make optional settings in your printer driver before using your option.

**Note:**

*When the EPSON Status Monitor 2 is run and the printer is turned on, the information on the installed option is automatically transmitted to the computer and its information appears in your driver's screen.*

1. Double-click the My Computer icon and double-click the Printers folder.
2. Right-click the icon of your printer, and click Properties.

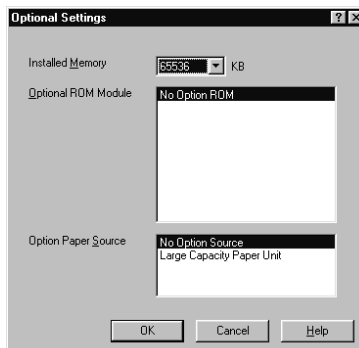
3. Click the Optional Settings tab; then click Setting in the Option window.



**Note:**

*When the EPSON Status Monitor 2 is run and the printer is turned on, information on the installed option is automatically transmitted to the computer. In this case, the Setting button does not appear. Check if the option name you installed appears in the option list, click OK.*

4. The Option Setting dialog box appears. Make settings depending on the option installation. Then click OK.



---

## *For Windows NT 4.0 Users*

### *Using your printer on a network*

To use your printer over a network with Windows NT 4.0, you must set up the computer to which the printer is connected (the print server) and also set up the other computers on the network which will use the printer (the client computers). To set up the print server so that the printer is shared across the network, see your Windows NT 4.0 documentation.

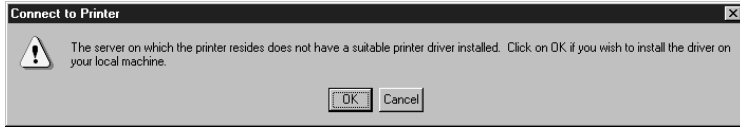
The instructions below explain how to set up your Windows NT 4.0 as a client computer to use your printer, after you have set up the print server.

1. Make sure your printer software is installed (see page 55) if it is not installed).
2. Click Start, point to Settings, and click Printers.
3. Double-click the Add Printer icon.
4. Click the Network printer server radio button. Click Next.
5. Select the print queue where print jobs destined for this printer will be sent, or select the network path to the printer.

**Note:**

*Be sure to confirm all network settings with the network administrator.*

6. If the following dialog box appears, click OK and go to the next step. If the dialog box does not appear, your printer is set up and ready to accept print jobs over the network.



7. Click Have Disk.
8. Insert the printer software CD in the appropriate drive.
9. Type D:\EPSETUP and click OK. (If you inserted the CD in a drive other than drive "D", substitute the appropriate letter.)
10. Select your printer in the dialog box and follow the on-screen instructions.

### ***Notes for problem solving:***

If your printer does not print correctly as a remote printer, the following procedure may help you solve the problem.

1. Install the Windows NT 4.0 printer software in your computer as described on page 55.
2. Click Start, and select Settings and Printers.
3. Right-click the icon of your printer, and click Properties.
4. Select a printer port other than LPT1 in the Port menu.
5. From the DOS prompt, type the network path to your printer, for example;

```
C:\net use lpt2: \\epserver\printer
```

then press the Enter key. If you selected a port other than lpt2: in step 4, substitute this port for "lpt2" in the command above. You should also substitute the name of your print server for "epserver", and the name of the printer, as defined on the print server, for "printer".

6. Restart your computer.

**Note:**

*If you need to cancel this setting, type / d instead of the network path to your printer in step 5, for example, C:\net use lpt2: /d.*

### ***Setting the installed option***

If you have installed any options in the printer, you need to make optional settings in your printer driver before using your option.

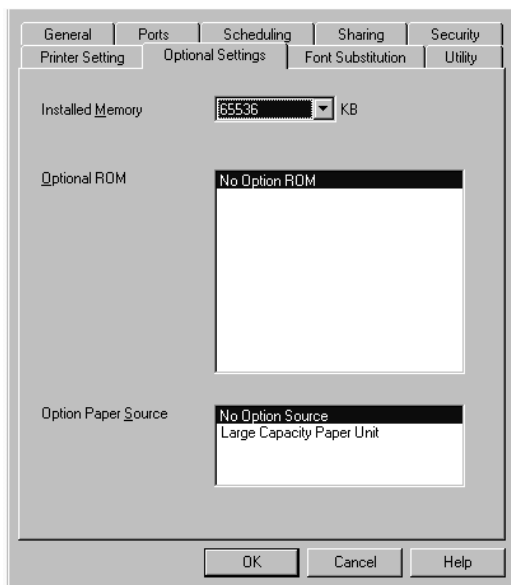
**Note:**

*When the EPSON Status Monitor 2 is run and the printer is turned on, the information on the installed option is automatically transmitted to the computer and its information appears in your driver's screen.*

1. Click Start, and select Settings and Printers.
2. Right-click the icon of your printer, and click Properties.



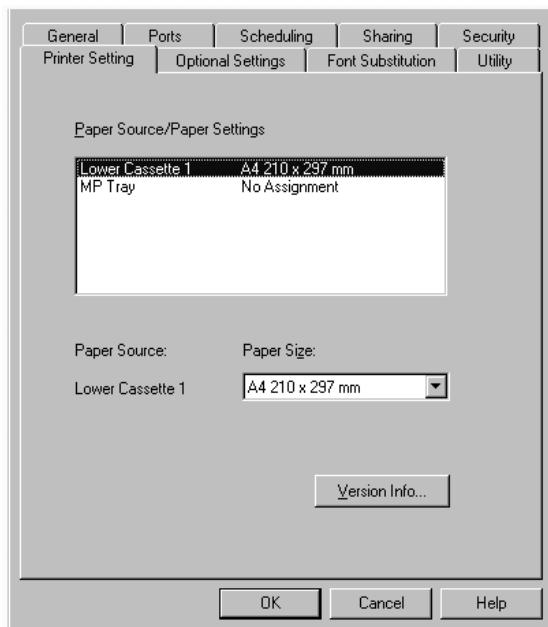
3. Click the Optional Settings tab. Make settings depending on your option installation. Then click OK.



**Note:**

*When the EPSON Status Monitor 2 is run and the printer is turned on, the information on the installed option is automatically transmitted to the computer. In this case, you do not need to set anything.*

4. Click the Printer Setting tab. Select the paper size for each paper source.



**Note:**

*When the EPSON Status Monitor 2 is run and the printer is turned on, the information on the installed option is automatically transmitted to the computer. In this case, you do not need to set anything.*

# ***Accessing Online Help***

---

---

Your Windows printer driver has an extensive online help feature that includes detailed information and instructions on the driver settings. Online help will answer most of your questions about the driver.

***Note:***

*Online help is not available for DOS applications.*

---

## ***Accessing from the Windows Printer Driver***

To access online help from the printer driver, follow the instructions on page 59 to access the driver; then click the Help button at the bottom of the window that appears.

---

## ***Accessing from Windows Applications***

To access help from your application, open the File menu and choose Print or Print Setup. Then click Printer, Setup, Options, or Properties (you may need to click a combination of these buttons) depending on the software you are using. Then click the ? or Help button in the window that appears.

# Printing with Windows

---

---

This section explains how to print your documents from your Windows application or how to cancel printing.

---

## *Starting to print*

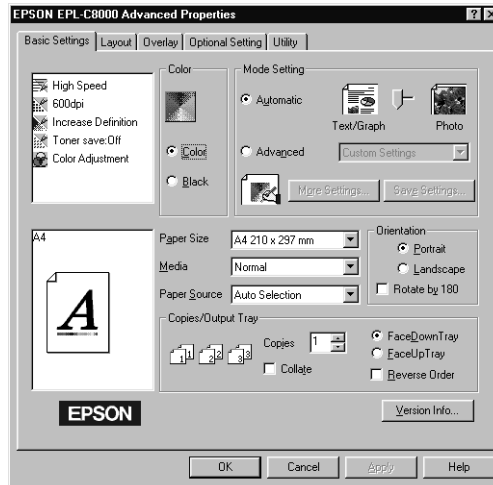
To get started with printing right away, follow the printing method explained below, which is typical of many Windows applications. The actual way you print may vary depending on the application you use. See your application manual for details.

**Note:**

*While many Windows applications override the settings made with the printer driver, some do not, so you must verify the settings to get the results you expect.*

1. From your application, open the document you want to print.
2. Click Print on the File menu. The Print dialog box (or a similar dialog box) appears.

3. Make sure your printer is selected and then click Printer, Setup, Properties, or Options. You may need to click more than one of these buttons in different dialog boxes. The printer software window appears.



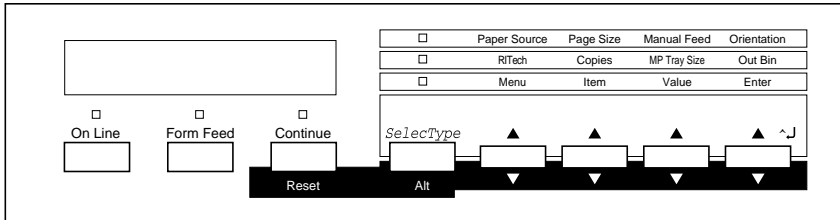
4. Make the settings in each menu depending on your document type. Refer to the driver's online help or the description in Chapter 4 in *User's Guide* for the details of each setting.
5. After making all settings, click OK at the bottom of the window. You return to the Print dialog box (or a similar dialog box).
6. Click Close, OK, or Print to print. You may need to click more than one of these buttons in different dialog boxes.

---

## Cancelling the Print

When you want to cancel printing, follow the instructions below:

1. Press the On Line button on the printer's control panel. The On Line light turns off.



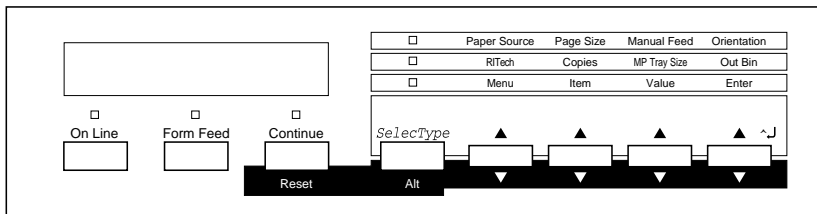
### **Note:**

*If your computer continues the printing job, cancel it as follows:*

*Double-click the printer icon in the task bar at the right bottom. Then click the printing job that you want to cancel and click Purge Print Jobs in the Printer menu.*

2. Check that the Form Feed is on (not blinking). If this light is blinking, the printer is receiving the data from the computer. In this case, wait until the printer receives all data and the Form Feed light comes on.

3. Hold down the Alt and Reset buttons at the same time until `Reset` appears on the display. The received data is cleared.



**Caution:**

*Be careful not to hold the buttons for more than five seconds. If you do so, `Reset All` appears on the display and the printer settings are returned to the default value in addition to clearing the print job and printer memory.*





---

# Index

## A

- Accessing
  - driver, 70
  - online help, 69
- Assembling the printer, 14

## B

- Basic printer settings, 59

## C

- Cancelling to print, 72
- Connecting to the computer, 53

## D

- DOS, 58

## E

- Energy Star, 10
- EPSON Font Manager, 54
- EPSON Status Monitor 2, 54
- Expansion tray, 14

## F

- Face-up tray, 15
- Fuser oil roll, 25

## I

- Installing
  - 250 sheet lower paper cassette unit, 29
  - EPSON Font Manager, 57
  - expansion tray, 14
  - face-up tray, 15
  - fuser oil roll, 25

- interface card, 47
- large capacity paper unit, 31
- memory module, 39
- options, 29
- photoconductor unit, 22
- printer software, 54
- ROM module, 43
- toner cartridges, 17

Interface cable, 53

Interface card, 47

## L

- Large capacity paper unit
  - installing, 34
  - precautions, 31
  - removing the protective material, 32
  - unpacking, 32
- Laser printer precautions, 5
- Laser safety, 1
- Loading paper, 51
- Lower paper cassette unit, 29

## M

Memory module, 39

## N

- Network
  - for Windows 95/98 users, 60
  - for Windows NT 4.0 users, 64

## **O**

Online help, 54, 69

### **Options**

250 sheet lower paper cassette unit,  
29

large capacity paper unit, 31

setting in the printer driver, 62, 66

Ozone safety, 3

## **P**

Photoconductor unit, 22

Plugging in the printer, 50

Power switch, 50

### **Precautions**

large capacity paper unit, 31

laser printer, 5

Printer driver, 54, 55

### **Printing**

status sheet, 51

with Windows, 70

## **R**

ROM module, 43

## **S**

Safety information, 1

Safety instructions, 1, 8

Status sheet, 51

System requirements, 12

## **T**

Testing the printer, 51

Toner cartridges, 17

<b>EPSON OVERSEAS MARKETING LOCATIONS</b>
---

---

**EPSON AMERICA, INC.**

20770 Madrona Ave.  
P.O. Box 2842  
Torrance, CA 90509-2842  
Phone: (800) 922-8911  
Fax: (310) 782-5220

**EPSON UK LTD.**

Campus 100, Maylands Avenue,  
Hemel Hempstead, Herts,  
HP2 7TJ, U.K.  
Phone: (+44) 01442 261144  
Fax: (+44) 01442 227227

---

**EPSON DEUTSCHLAND GmbH**

Zülpicher Straße 6,  
40549 Düsseldorf Germany  
Phone: (0211) 56030  
Fax: (0211) 5047787

**EPSON FRANCE S.A.**

68 bis, rue Marjolin  
92300, Levallois-Perret, France  
Phone: 33.1.40.87.37.37  
Telex: 610657

---

**EPSON AUSTRALIA PTY. LTD.**

70 GIBBES STREET, CHATSWOOD 2067 NSW.  
Phone: 2-9903-9000  
Fax: 2-9903-9177

**EPSON SINGAPORE PTE. LTD.**

No. 1 Temasek Avenue #36-00  
Millenia Tower, Singapore 039192  
Phone: (065) 33 77 911  
Fax: (065) 33 41 185

---

**EPSON HONG KONG LTD.**

Rooms 4706-10, 47/F,  
China Resources Bldg.,  
26 Harbour Road, Wanchai, Hong Kong  
Phone: 2585-4300  
Fax: 2827-7083

**EPSON TAIWAN TECHNOLOGY & TRADING LTD.**

10F, No. 287 Nanking E. Road, Sec. 3,  
Taipei, Taiwan, R.O.C.  
Phone: (02) 717-7360  
Fax: (02) 712-9164

---

**EPSON ITALIA S.p.A.**

V.le F.lli Casiraghi 427  
20099 Sesto S.Giovanni  
MI, Italy  
Phone: 2-262331  
Fax: 2-2440750

**EPSON IBERICA S.A.**

Av. de Roma, 18-26  
08290 Cerdanyola del Valles  
Barcelona, Spain  
Phone: 582. 15.00  
Fax: 582. 15.55

---

**SEIKO EPSON CORPORATION****(Hirooka Office)**

80 Harashinden, Hirooka  
Shiojiri-shi, Nagano-ken  
399-0785 Japan

**EPSON PORTUGAL, S.A.**

R. do Progresso, 471, 1º Perafita  
4460 Matosinhos, Portugal  
Phone: (02) 996 14 02  
Fax: (02) 996 14 11

**EPSON**  
**ColorPage**  
**EPL-C8000**  
**Setup Guide**