

EPSON

Page Printer

EPL-N1600

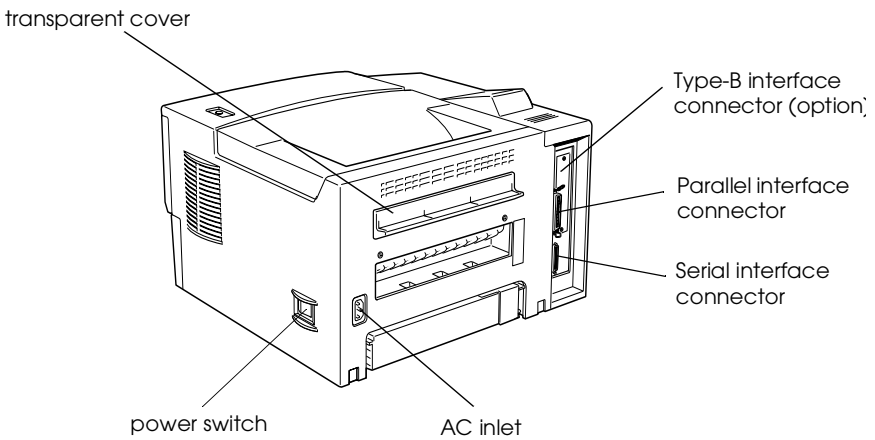
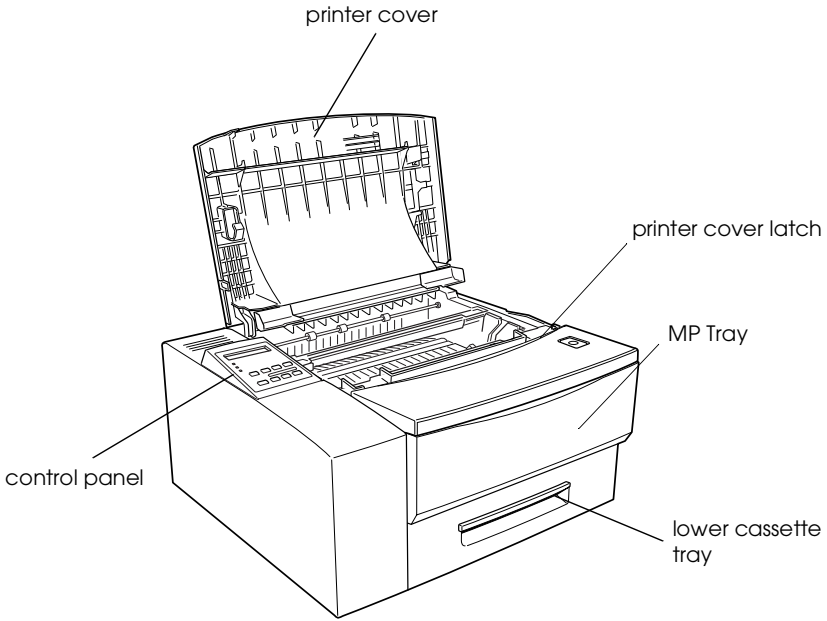
[Read This First]



Setup Guide

4009178
S01-00

Printer Parts



Contents

1	Finding a Place for the Printer	1
2	Unpacking	3
3	Installing the Optional Duplex Unit	4
4	Installing the Optional 500 Sheet Lower Paper Cassette Unit	10
5	Installing the Imaging Cartridge	17
6	Loading Paper.	21
7	Attaching the Power Cord.	26
8	Testing the printer	27
9	Connecting the Printer to the Computer.	29
10	Installing the Printer Software.	30
11	Making Basic Driver Settings.	33
12	Accessing Online Help	37

EPSON is a registered trademark of SEIKO EPSON CORPORATION.

HP and LaserJet are registered trademarks of Hewlett-Packard Company.

Microsoft, Windows, and MS-DOS are registered trademarks of Microsoft Corporation.

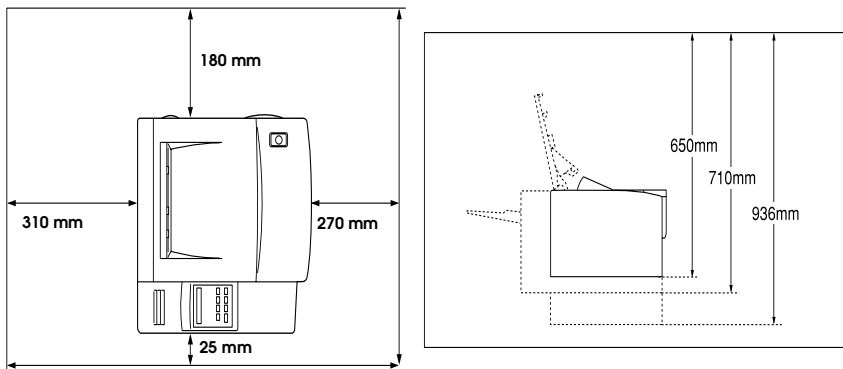
General Notice: Other product names used herein are for identification purposes only and may be trademarks of their respective owners. EPSON disclaims any and all rights in those marks.

Copyright © 1998 by SEIKO EPSON CORPORATION, Nagano, Japan.

This booklet helps you set up your printer and begin printing quickly. If you need detailed information on printer use or if you have problems printing, see your *Reference Guide*.

1 Finding a Place for the Printer

- ❑ Place your printer close enough to the computer or workstation for the printer cable to connect easily.
- ❑ Leave adequate room around the printer to allow for easy operation and maintenance as well as sufficient ventilation. The diagram below shows the recommended amount of space.



- ❑ If you install the optional Duplex Unit (see "Installing the Optional Duplex Unit" on page 4), you will need to allow an additional 235 mm (9.3 inches) at the back of the printer.



Caution:

- ❑ *The printer is fitted with a ventilation fan on the right-hand side (the same side as the power switch). Make sure that this fan is not blocked when you position the printer.*
- ❑ *Avoid locations that are subject to direct sunlight, excessive heat, moisture, or dust.*
- ❑ *Place the printer where you can easily unplug the power cord.*
- ❑ *Avoid using an electrical outlet that is controlled by wall switches or automatic timers. Accidental disruption of power can wipe out valuable information in your computer's or printer's memory.*
- ❑ *Avoid using outlets on the same circuit as large motors or other appliances that might disturb the power supply.*
- ❑ *Keep the entire computer and printer system away from potential sources of interference, such as loudspeakers or the base units of cordless telephones.*

2 Unpacking

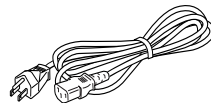
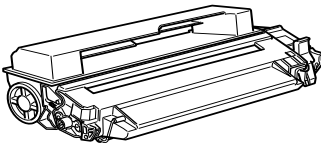
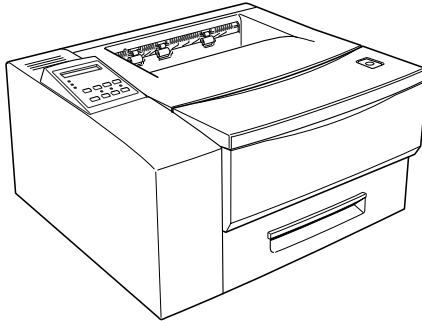
1. Remove the accessories and printer from the shipping carton.



Warning:

The printer weighs about 13 kg (about 29 lb) and should be lifted with care. Get another person to help you if necessary

2. Set the printer on a flat, stable surface.
3. Remove the packing material from the printer and its accessories and store for future use.
4. Make sure you have the items shown below, plus one CD-ROM containing a printer driver, and utility programs.



Note:

The shape of the AC power cord plug varies by country; be sure the plug included is the right shape for your location.

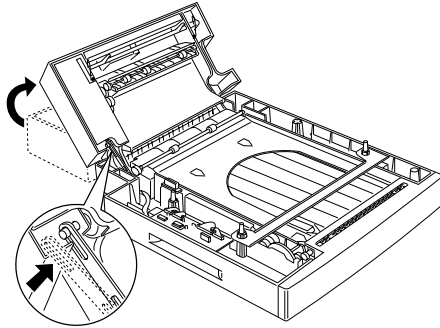
3

Installing the Optional Duplex Unit

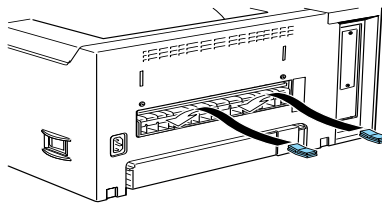
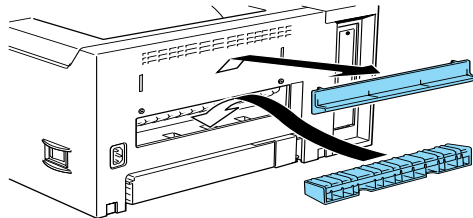
Note:

- ❑ *This section is only for customers installing the optional duplex unit.*
- ❑ *If you are installing both the optional duplex unit and the optional 500 sheet lower paper cassette, you must install the duplex unit first before proceeding with the installation of the 500 sheet lower paper cassette.*
- ❑ *If you are installing the optional 500 sheet lower paper cassette and are not installing the optional duplex unit, turn to "Installing the Optional 500 Sheet Lower Paper Cassette Unit" on page 10.*
- ❑ *If you are not installing either the duplex unit or the lower paper cassette, turn to "Loading Paper" on page 21.*
- ❑ *The optional duplex unit allows you to print on both sides of a sheet of paper automatically. To install the duplex unit, follow the instructions below:*

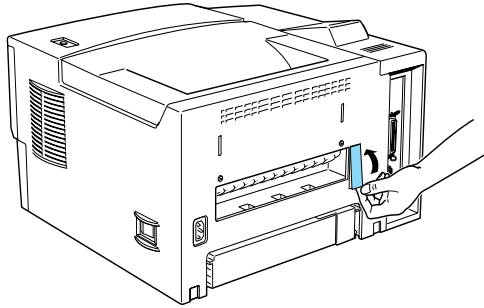
1. Unpack the parts of the duplex feeder, and place them on the stable surface where you will be installing the printer. Lift up the vertical unit so that it locks into the locking bar on the side of the horizontal unit, as shown below.



2. Remove the transparent cover attached to the rear of the printer. Insert the duplex chute into the body exit of the printer, and secure it with the two supplied clips.



3. Inside the vertical unit, you will find a metal bar. Use this bar to remove the plastic cover at the right of the body exit.



When you have removed the plastic cover, store it together with the metal bar in the place in the vertical unit where you found the metal bar.

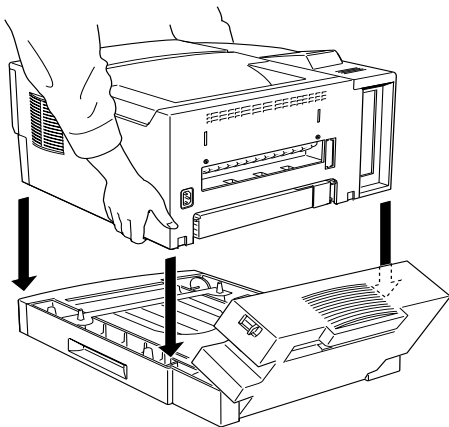
4. With the front of the printer towards you, grasp the sides of the printer. Line up the corners of the printer with the corners of the duplex unit and place the printer on the duplex unit.



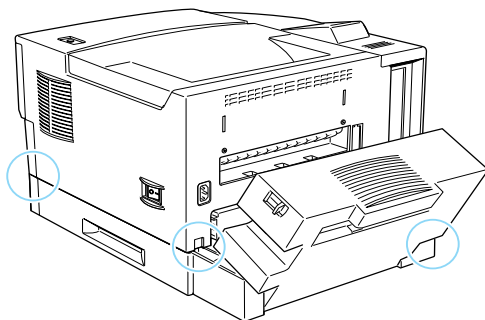
Warning:

- ❑ *The printer weighs about 13 kg (about 29 lb). Take care when lifting it, and get another person to help you if necessary.*

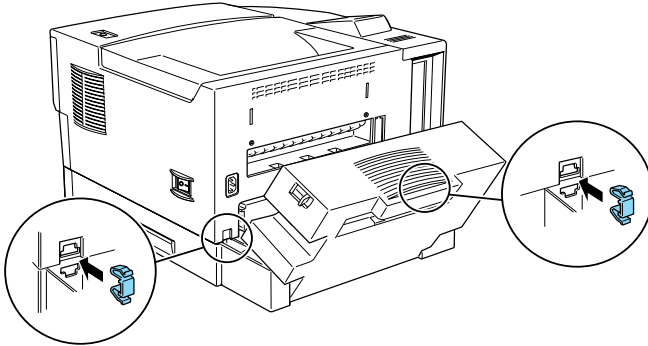
- ❑ *There are three pins on top of the duplex feeder: two on the left and one on the right. These three pins fit into three corresponding holes on the bottom of the printer body for a secure fit.*



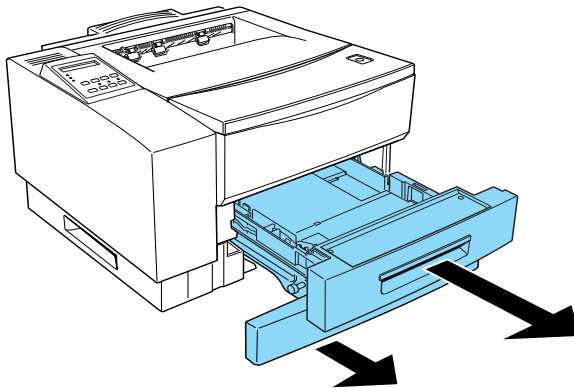
5. Check that the printer is securely seated on top of the duplex unit.



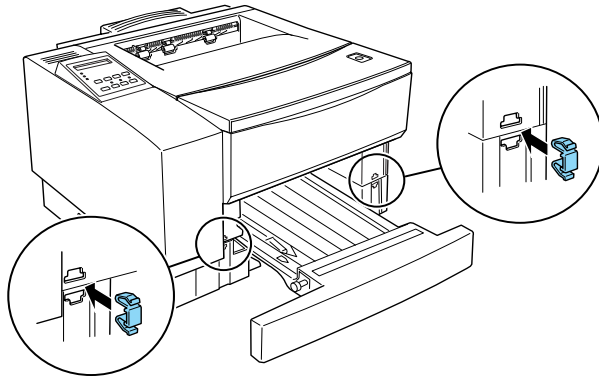
6. Use the supplied clips to fasten the duplex unit to the printer and close the duplex unit's vertical unit. Make sure the clips are fastened securely.



7. Completely remove the paper cassette. Pull out the duplex unit feeder tray until you can see the two feeder joints at the front of the printer.



8. Use the supplied clips to fasten the duplex unit to the printer at the front. Make sure the clips are fastened securely.



9. Replace the duplex unit feeder tray and the paper cassette.

4 Installing the Optional 500 Sheet Lower Paper Cassette Unit

Note:

This section is for those users installing the optional 500 sheet lower paper cassette. If you are not installing the optional 500 sheet lower paper cassette, go on to "Installing the Imaging Cartridge" on page 17.

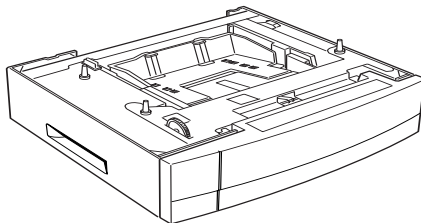
Duplex Unit Installed

If you have already installed the duplex unit, follow the instructions below. Otherwise, if you are installing the 500 sheet lower paper cassette without installing the duplex unit, turn to "No Duplex Unit Installed" on page 14.

Note:

If you are installing both the duplex unit and the 500 sheet lower cassette, you must install the duplex unit first. Turn to "Installing the Optional Duplex Unit" on page 4 and install the duplex unit if you have not yet done so.

1. Unpack the 500 sheet lower paper cassette and place it on the surface where the printer is to be installed.



2. Make sure the printer and cassette are facing the same direction.
3. Face the front of the printer. Pick it up using the grips on the duplex unit, as shown below.

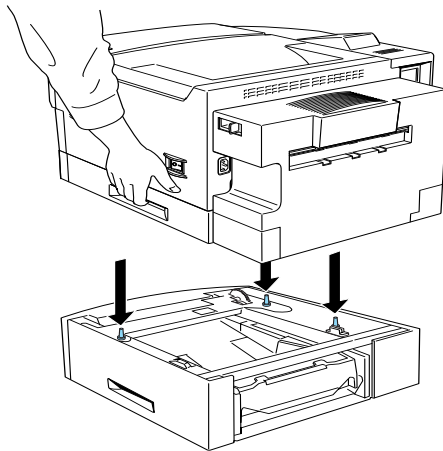
Note:

There are three pins on top of the 500 sheet lower paper cassette: two on the left and one on the right. These three pins fit into three corresponding holes on the bottom of the duplex unit for a secure fit.

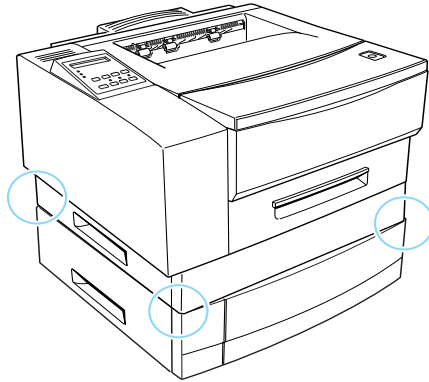


Caution:

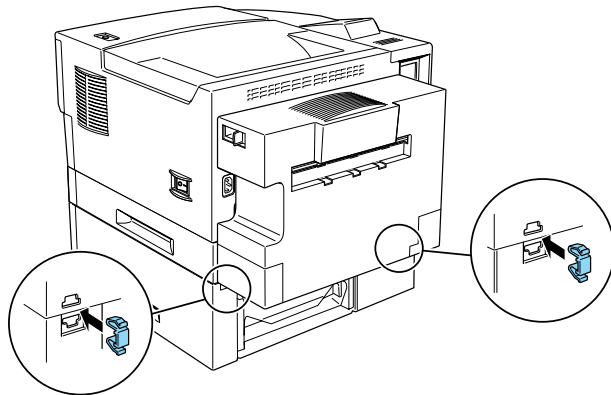
- ❑ *Do not attempt to lift the printer and duplex unit combination using the grips on the printer. Only use the grips on the duplex unit.*
- ❑ *The printer and duplex unit together weigh about 20 kg (about 43 lb). Take care when lifting them together and get another person to help you if necessary.*



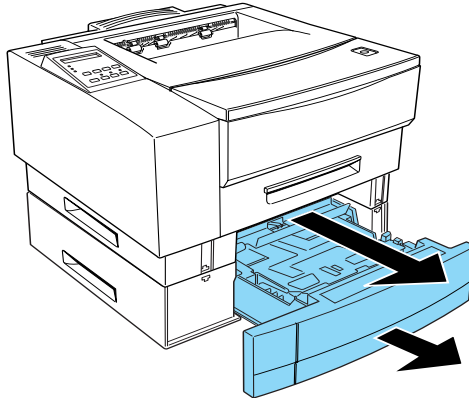
4. Lower the printer and duplex unit combination onto the 500 sheet lower paper cassette, taking care to line up the corners. Make sure that the printer and duplex unit are firmly seated.



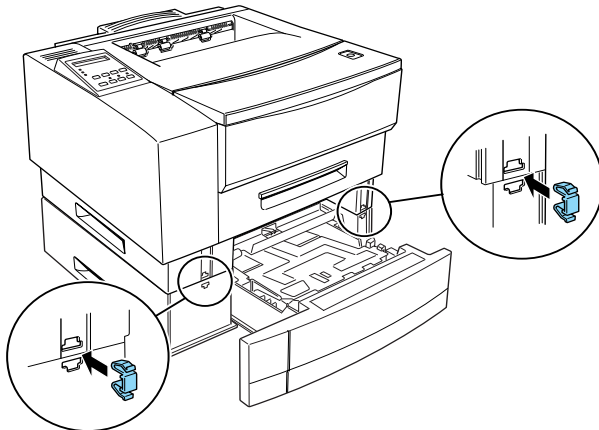
5. Use the supplied clips to fasten the two joints at the rear of the printer (joining the duplex unit to the 500 sheet lower paper cassette). Make sure the clips are securely fastened.



6. Completely remove the duplex feeder tray and pull out the 500 sheet lower paper cassette until you can clearly see the two feeder joint areas on the duplex unit.



7. Use the supplied clips to fasten the two joints as shown below. Make sure the clips are fastened securely.



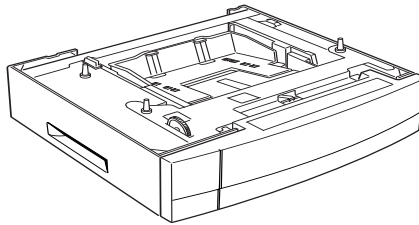
8. Push the 500 sheet lower paper cassette back in and replace the duplex feeder tray.

You can now install the Imaging Cartridge. Turn to "Installing the Imaging Cartridge" on page 17.

No Duplex Unit Installed

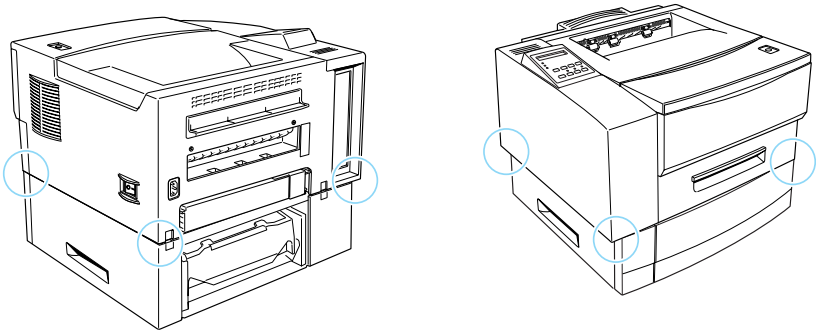
If you have not installed the optional duplex unit, follow the instructions below to install the 500 sheet lower paper cassette.

1. Unpack the 500 sheet lower paper cassette and place it on the surface where the printer is to be installed.



2. Make sure the printer and cassette are facing the same direction.

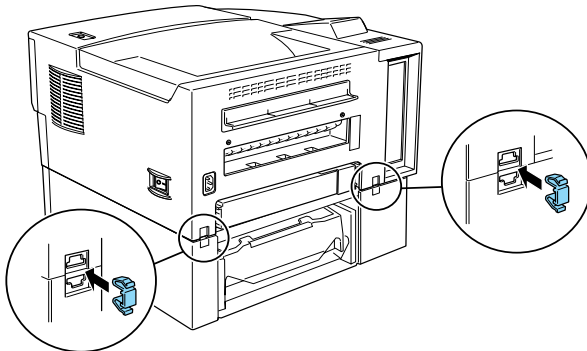
3. Lift the printer and align the pins on the cassette with the holes on the bottom of the printer.



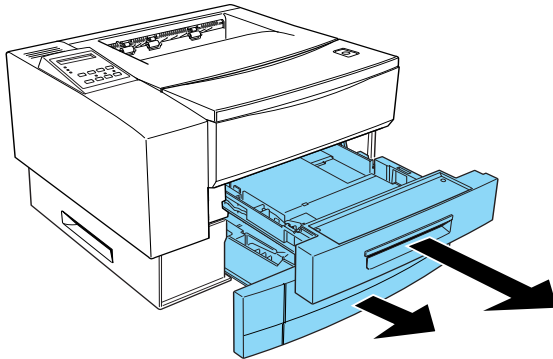
Warning:

The printer weighs over 13 kg (about 29 lb). Take care when lifting the printer. If necessary, get someone to help you

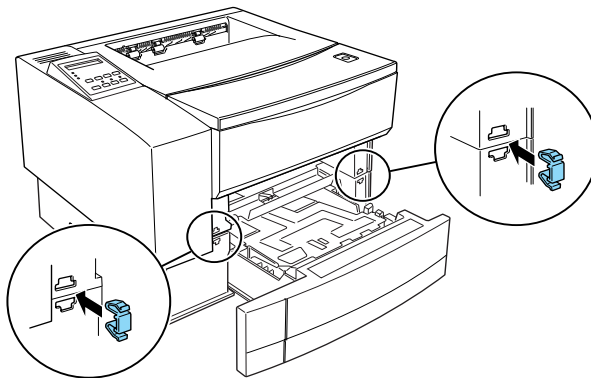
4. Lower the printer until it rests securely on the cassette.
5. Fasten the two feeder joints at the rear of the printer securely, using the supplied clips



6. Remove the upper 250 sheet paper cassette completely from the printer, and pull out the lower 500 sheet paper cassette until you can see the front feeder joints.



7. Fasten the front feeder joints securely, using the supplied clips.



Caution:

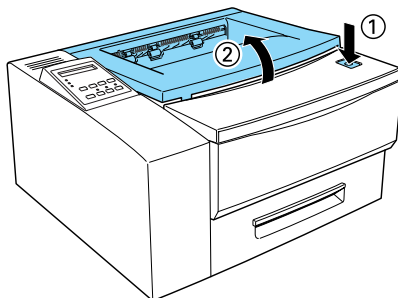
Always remove the optional 500 sheet lower paper cassette before lifting the printer. See Chapter 3 in the Reference Guide for instructions on how to remove the cassette. Never try to lift the printer with the 500 sheet lower paper cassette attached.

5 Installing the Imaging Cartridge



Caution:

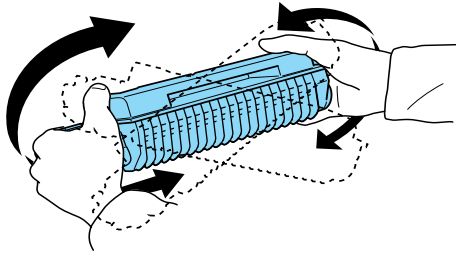
- ❑ *Do not turn the Imaging Cartridge upside down. Do not expose the Imaging Cartridge to light any longer than necessary.*
 - ❑ *Do not open the drum's protective cover and avoid exposing the Imaging Cartridge to room light any longer than necessary. Overexposing the cartridge may cause abnormally dark or light areas to appear on the printed page and reduce the life of the cartridge.*
1. Push the latch on the top right of the printer and open the printer cover all the way.



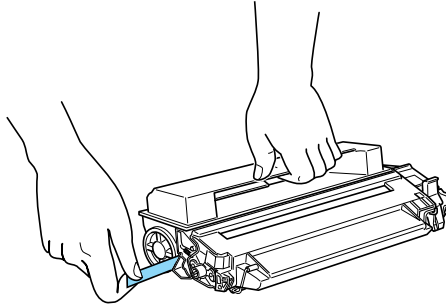
2. Open the silver-colored aluminized bag which contains the Imaging cartridge.

Note:

- Save the bag in case you need to store the cartridge; if you move the printer in the future, for example.*
 - Never open the cartridge drum shutter. If you open the shutter, you will damage the photosensitive drum inside the cartridge.*
 - Do not expose the cartridge to direct sunlight or other strong light.*
 - Install the cartridge as quickly as possible, to avoid damaging the cartridge by over-exposing it to light.*
3. While holding the Imaging cartridge as shown below, shake it seven or eight times to free and distribute the toner in the cartridge.



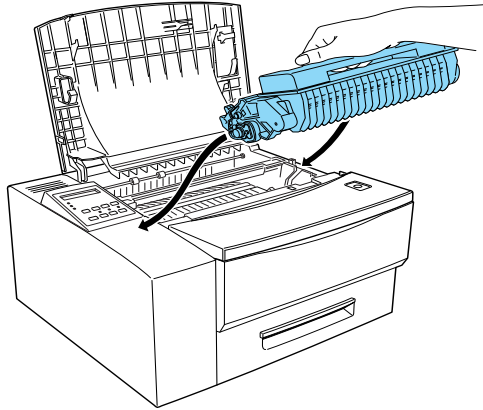
4. Set the cartridge on a clean, flat surface. Hold the cartridge down with one hand, and grasp the end tab of the sealing tape with the other hand. Pull the tape all the way out with firm, even pressure as shown.



Note:

- ❑ *If you pull the tab at an angle, rather than horizontally, you may break the tab.*
- ❑ *Always pull out the tab when the top of the cartridge is uppermost, as shown above. If you pull out the tab with the cartridge in any other orientation, you may damage the cartridge drum.*

5. Hold the cartridge as shown below. Insert it into the printer guide channels until it clicks into place. To align the cartridge, use the colored markers on the left guide channel of the printer and on the cartridge itself.



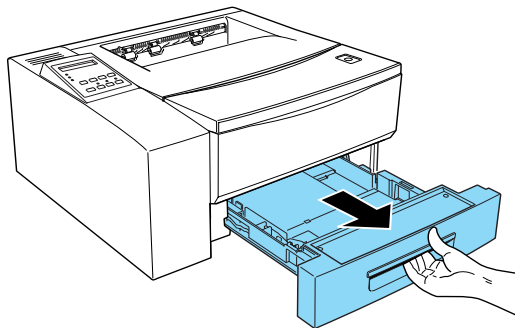
6. Close the printer cover.

6 ***Loading Paper***

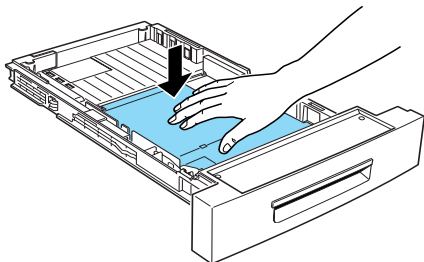
This section covers how to load paper using the standard 250 Sheet Paper Cassette Tray. For details of how to use the MP Tray or the optional 500 Sheet Lower Paper Cassette Unit, see your *Reference Guide*.

To load paper in the 250 Sheet Paper Cassette Tray, follow the steps below.

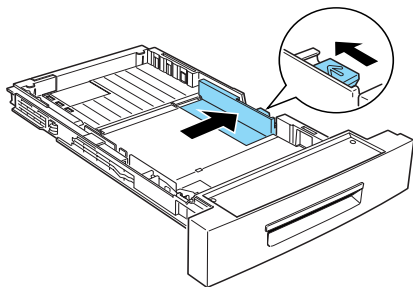
1. Pull out the cassette tray by grabbing the handle and pulling it straight towards you.



2. Press down the plate in the cassette tray until it locks into position

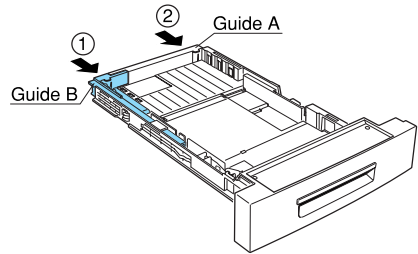
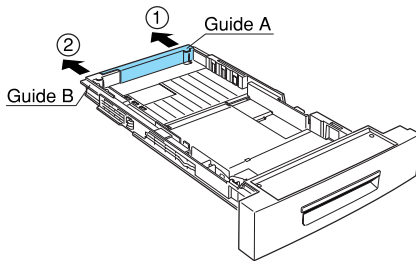


3. Squeeze the side guide between your thumb and finger, and slide it to the far right.

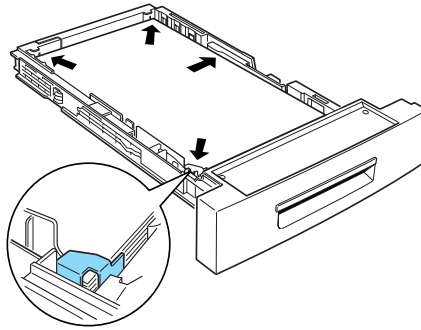


4. Set the length of the cassette tray to match your paper.

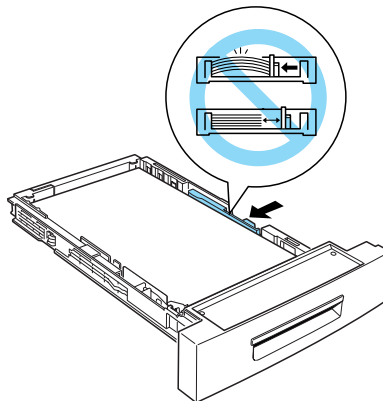
- ❑ To lengthen the tray, slide guide A so that it matches the length of your paper, and then adjust guide B so that it matches the position of guide A.
- ❑ To shorten the tray, slide guide B so that it matches the length of your paper, and then adjust guide A so that it matches the position of guide B.



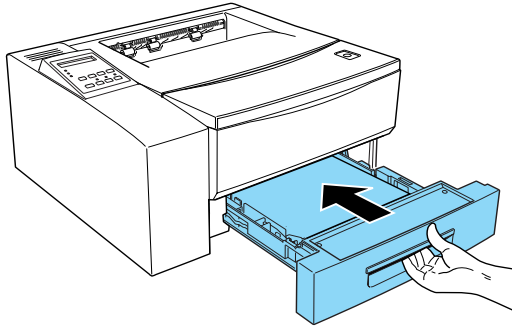
5. Fan a stack of paper (up to 250 sheets) to separate the sheets, and tap the edges of the stack on a flat surface to even up the edges. Insert this stack of paper into the cassette, lining it up with the left side of the cassette. Make sure that all sheets of the stack are under the metal retaining clip and the plastic tabs on the end guides. If you overload the cassette by putting too many sheets of paper in at one time, this can cause paper jams.



6. Slide the right side guide to the left so that it just touches the edge of the paper stack.



7. Replace the cassette tray into the printer.



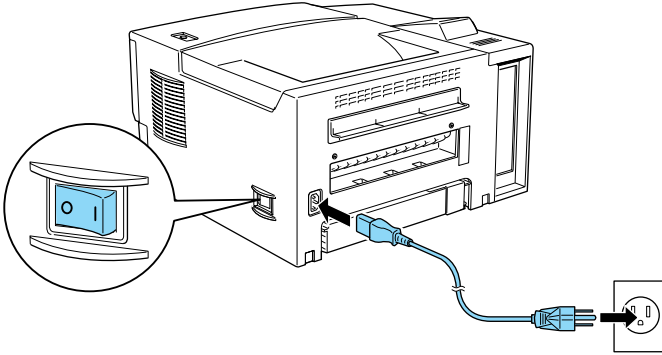
Note:

- ❑ *Never remove the cassette tray while the printer is printing. If you do, paper jams may occur.*
- ❑ *By default, the printer is set up to print on A4 size paper. If you are printing on any other size of paper, you must change the printer's paper size setting. See "Making Basic Driver Settings" on page 33.*

7

Attaching the Power Cord

1. Make sure the printer is turned off. It is off when the ○ side of the power switch on the right side of the printer is pushed in.

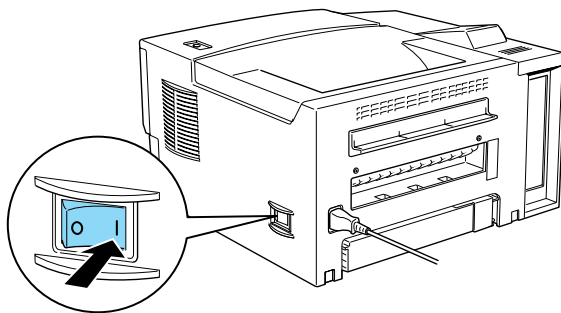


2. Insert the power cord into the back of the printer.
3. Plug the other end of the power cord into a properly grounded electrical outlet.

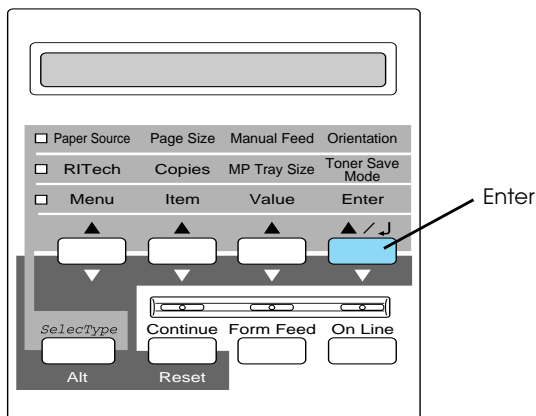
8 *Testing the printer*

To test whether the printer is set up correctly, print a status sheet. The status sheet contains information about the printer, including the current settings. Follow the steps below.

1. Make sure that:
 - the cartridge is correctly installed.
 - the printer cover is properly closed.
 - there is paper in the cassette tray, and no paper is inside the printer mechanism.
2. Turn on the printer as shown below.



- The printer warm up and several messages appear on the display as the printer performs tests. After about 45 seconds, and after a short while, the display will show Ready.



- Make sure the On Line light is on. If it is not, press the On Line button.
- Press the Enter button two times. The printer prints a status sheet, showing the current printer settings.

If the status sheet does not print, or does not seem to be printed properly, you should check the following:

- The cassette tray is properly loaded with paper and is correctly installed in the printer (see "Loading Paper" on page 21).
- If the status sheet is faint or streaky (some areas are too dark and others are too light), the cartridge may not be installed properly, or toner may not be distributed evenly in the cartridge. Turn off the printer and reinstall the cartridge, as described in "Installing the Imaging Cartridge" on page 17 before printing another status sheet. If this does not solve the problem, contact your dealer.

9

Connecting the Printer to the Computer

Your printer comes with two standard interface connectors: parallel and serial. To use the parallel interface, see the interface connection instructions below. To use the serial interface, follow the instructions below and substitute “serial” for “parallel” where appropriate.

Your printer also has a room for an optional additional interface connector. See Chapter 3, “Options,” in the *Reference Guide* for more information on this and other options.

1. Make sure both the printer and the computer are off.
2. Connect the parallel cable to the printer’s parallel connector, and secure the connector by squeezing the wire clips together until they lock in place on either side of the connector.

Note:

Use only a shielded, twisted-pair parallel cable.

3. Connect the other end of the cable to your computer, and fasten it as required.
4. Turn on the printer, and then turn on your computer.

10 *Installing the Printer Software*

The CD-ROM that comes with your printer contains utility programs and a printer driver for Microsoft® Windows® 3.1, Windows 3.11 for Workgroups, Windows 95, 98, NT® 3.51, and NT 4.0.

After connecting the printer to your computer, install the printer driver. The printer driver is software that runs, or “drives”, your printer, translating the software’s fonts, margin settings, etc. into commands that can be understood by the printer.

With the driver software supplied with the printer, you can make settings such as paper size, paper source, and orientation. You can also refer to the printer driver's online help for detailed information about printer settings.

Your computer must meet the following requirements in order to be able to use the Windows driver included with the printer:

- ❑ The computer must be running either Microsoft Windows 3.1, Windows for Workgroups (3.11), Windows 95, 98, and NT (3.51 or 4.0).
- ❑ 10 MB of free hard disk space

Installing the Printer Driver

Follow these steps to install the printer driver:

1. Make sure the printer is turned off and Windows is running on your computer.
2. Insert the CD-ROM that comes with your printer into your CD-ROM drive (this is usually drive D).
3. If you are using Windows 3.1, Windows 3.11 for Workgroups or Windows NT 3.51, make sure the Program Manager window is open; then choose RUN from the File menu. If you are using Windows 95, 98, and NT 4.0, click Start, then choose Run.
4. Type D:\EPSETUP (or E:\EPSETUP); then click OK (if the CD-ROM drive letter is not D, substitute the appropriate drive letter).
5. In the dialog box that appears, double-click Install Printer Driver; or you can also install by selecting Install Printer Driver and then clicking the arrow at the top right.
6. In the dialog box that appears, select EPSON EPL-N1600 Advanced and click OK. The printer driver is installed automatically.
7. When installation is complete, click OK.

The printer driver is now installed on your computer.

Installing Screen Fonts

Follow these steps to install the screen fonts:

1. Make sure Windows is running and the printer is turned off.
2. Insert the CD-ROM that comes with your printer into your CD-ROM drive D (or E)
3. If you are using Windows 3.1, Windows 3.11 for Workgroups or Windows NT 3.51, make sure the Program Manager windows is open; then choose RUN on the File menu. If you are using Windows 95, 98, and NT 4.0, click Start, then choose Run.
4. Type D:\EPSETUP (or E:\EPSETUP); then click OK.
5. [Excluding Windows NT 3.51 users]: In the dialog box that appears, double-click Install Font Manager; or you can install by selecting Install Font Manager and then clicking the arrow at the top right.
[For Windows NT 3.51 users only]: In the dialog box that appears, double-click Install Screen Fonts; or you can install by selecting Install Screen Fonts and then clicking the arrow at the top right.
6. Follow the on-screen instructions.
7. When installation is complete, click OK.

The screen fonts are now installed on your computer.

11 **Making Basic Driver Settings**

Before you start printing, you should make sure that the driver settings match your document requirements. While many Windows applications override the printer settings made with the driver, some do not.

Be sure to check the following:

- Paper The size of the paper loaded in the printer
- Orientation The direction of printing on the page (portrait or landscape)
- Print Quality The print resolution in dots per inch (dpi)
- Paper Source Auto Selection, MP Tray, Lower Cassette 1, or Lower Cassette 2 (if installed)
- Printer Memory The amount of memory installed in the printer (standard memory is 8 MB).

For Windows 95, 98, and NT 4.0 Users

Follow these steps to make the required settings:

1. Click the Start button.
2. Point to Settings; then click Printers.
3. Right-click your printer icon and choose Properties (in Windows 95 and Windows 98) or Document Defaults (in Windows NT 4.0). Be sure to right-click the icon.
4. Click the Basic Settings tab.
5. Select the paper size you loaded in the printer from the Paper list. If you don't see your paper size on the list, use the arrow on the right to scroll through the list.
6. Select Portrait or Landscape orientation. The direction of printing on the diagram on the screen changes according to the orientation you select.
7. Select the resolution from Print Quality.
8. Select the paper source.

Make any other settings you wish, and click OK when you are finished.

For Windows 3.1 and Windows 3.11 for Workgroups users

Follow these steps to access the driver and make the required settings

1. In the Main window, double-click the Control Panel icon.
2. Double-click the Printers icon.
3. Make sure your printer is highlighted, and click the Setup button.
4. Select the paper size you loaded in the printer from Paper. If you don't see your paper size on the list, use the arrow on the right to scroll through the list.
5. Select Portrait or Landscape orientation. The printing direction of the screen illustration changes according to the orientation you select.
6. Select the resolution from Print Quality.
7. Select the paper source.

Make any other settings you wish, and click OK when you are finished.

For Windows NT 3.51 Users

Follow these steps to access the driver and make the required settings:

1. In the Main window, double-click the Control Panel icon.
2. Double-click the Printers icon.
3. Double-click your printer icon.
4. Select Properties from Printers menu.
5. Make sure your printer is selected and click the Setup button.
6. Select the paper source.
7. Select the paper size.

Make any other settings you wish, and click OK when you are finished.

12 *Accessing Online Help*

Your Windows printer driver has an extensive online help feature that includes detailed information and instructions on the driver settings. Online help will answer most of your questions about the driver.

Note:

Online help is not available for DOS applications.

Accessing Online Help from the Windows Printer Driver

To access online help from the printer driver, follow the instructions on page 37 to access the driver; then click the Help button at the bottom of the window that appears.

Accessing Online Help from Windows Applications

To access help from your application, open the File menu and choose Print or Print Setup. Then click Printer, Setup, Options, or Properties (you may need to click a combination of these buttons) depending on the software you are using. Then click the ? or Help button in the window that appears.

EPSON OVERSEAS MARKETING LOCATIONS

EPSON AMERICA, INC.

20770 Madrona Ave.
P.O. Box 2842
Torrance, CA 90509-2842
Phone: (800) 922-8911
Fax: (310) 782-5220

EPSON UK LTD.

Campus 100, Maylands Avenue,
Hemel Hempstead, Herts,
HP2 7TJ, U.K.
Phone: (+44) 01442 261144
Fax: (+44) 01442 227227

EPSON DEUTSCHLAND GmbH

Zülpicher Straße 6,
40549 Düsseldorf Germany
Phone: (0211) 56030
Fax: (0211) 5047787

EPSON FRANCE S.A.

68 bis, rue Marjolin
92300, Levallois-Perret, France
Phone: 33.1.40.87.37.37
Telex: 610657

EPSON AUSTRALIA PTY. LTD.

70 GIBBES STREET, CHATSWOOD 2067 NSW.
Phone: 2-9903-9000
Fax: 2-9903-9177

EPSON SINGAPORE PTE. LTD.

No. 1 Temasek Avenue #36-00
Millenia Tower, Singapore 039192
Phone: (065) 33 77 911
Fax: (065) 33 41 185

EPSON HONG KONG LTD.

Rooms 4706-10, 47/F,
China Resources Bldg.,
26 Harbour Road, Wanchai, Hong Kong
Phone: 2585-4300
Fax: 2827-7083

EPSON TAIWAN TECHNOLOGY & TRADING LTD.

10F, No. 287 Nanking E. Road, Sec. 3,
Taipei, Taiwan, R.O.C.
Phone: (02) 717-7360
Fax: (02) 712-9164

EPSON ITALIA S.p.A.

V.le F.lli Casiraghi 427
20099 Sesto S.Giovanni
MI, Italy
Phone: 2-262331
Fax: 2-2440750

EPSON IBERICA S.A.

Av. de Roma, 18-26
08290 Cerdanyola del Valles
Barcelona, Spain
Phone: 582. 15.00
Fax: 582. 15.55

**SEIKO EPSON CORPORATION
(Hirooka Office)**

80 Harashinden, Hirooka
Shiojiri-shi, Nagano-ken
399-0785 Japan

EPSON PORTUGAL, S.A.

R. do Progresso, 471, 1º Perafita
4460 Matosinhos, Portugal
Phone: (02) 996 14 02
Fax: (02) 996 14 11

EPSON
Page Printer
EPL-N1600

Setup Guide